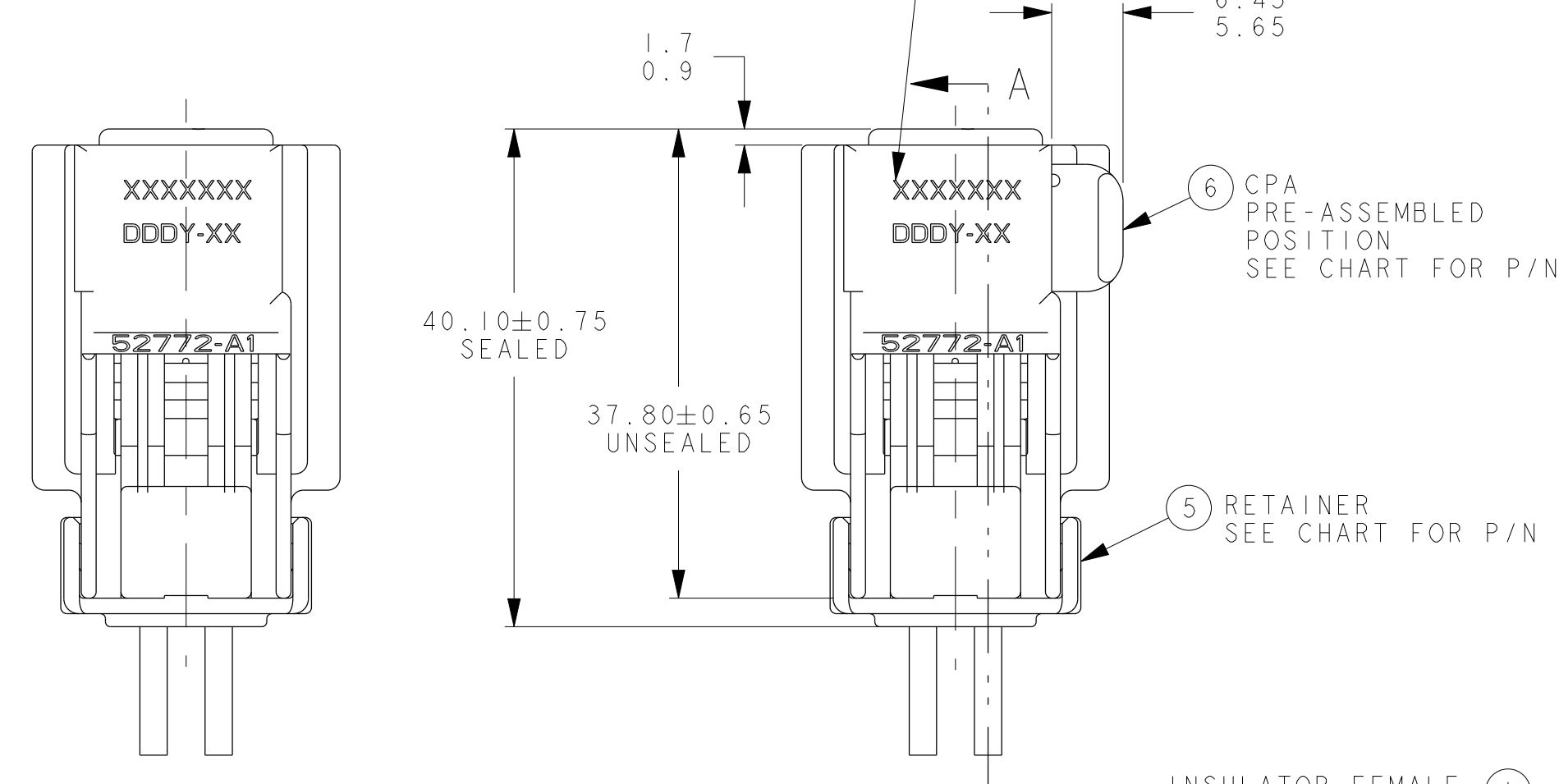
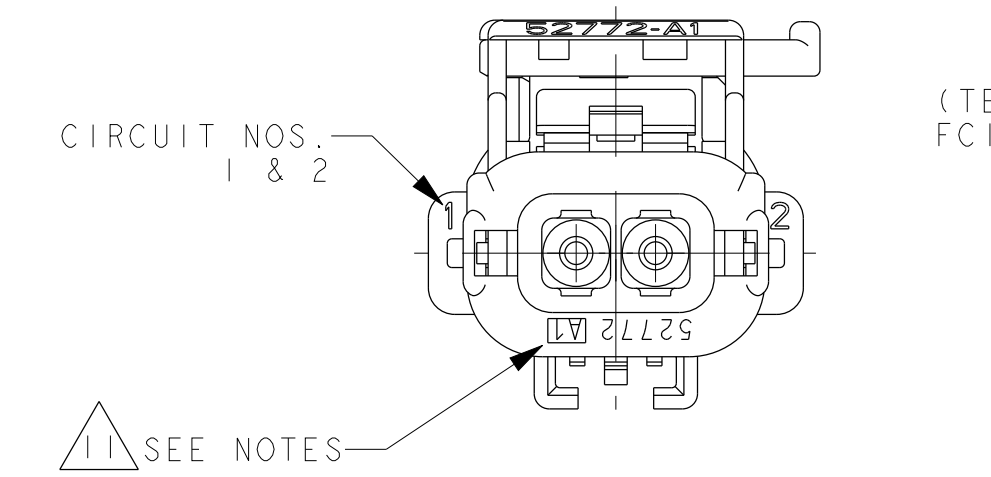


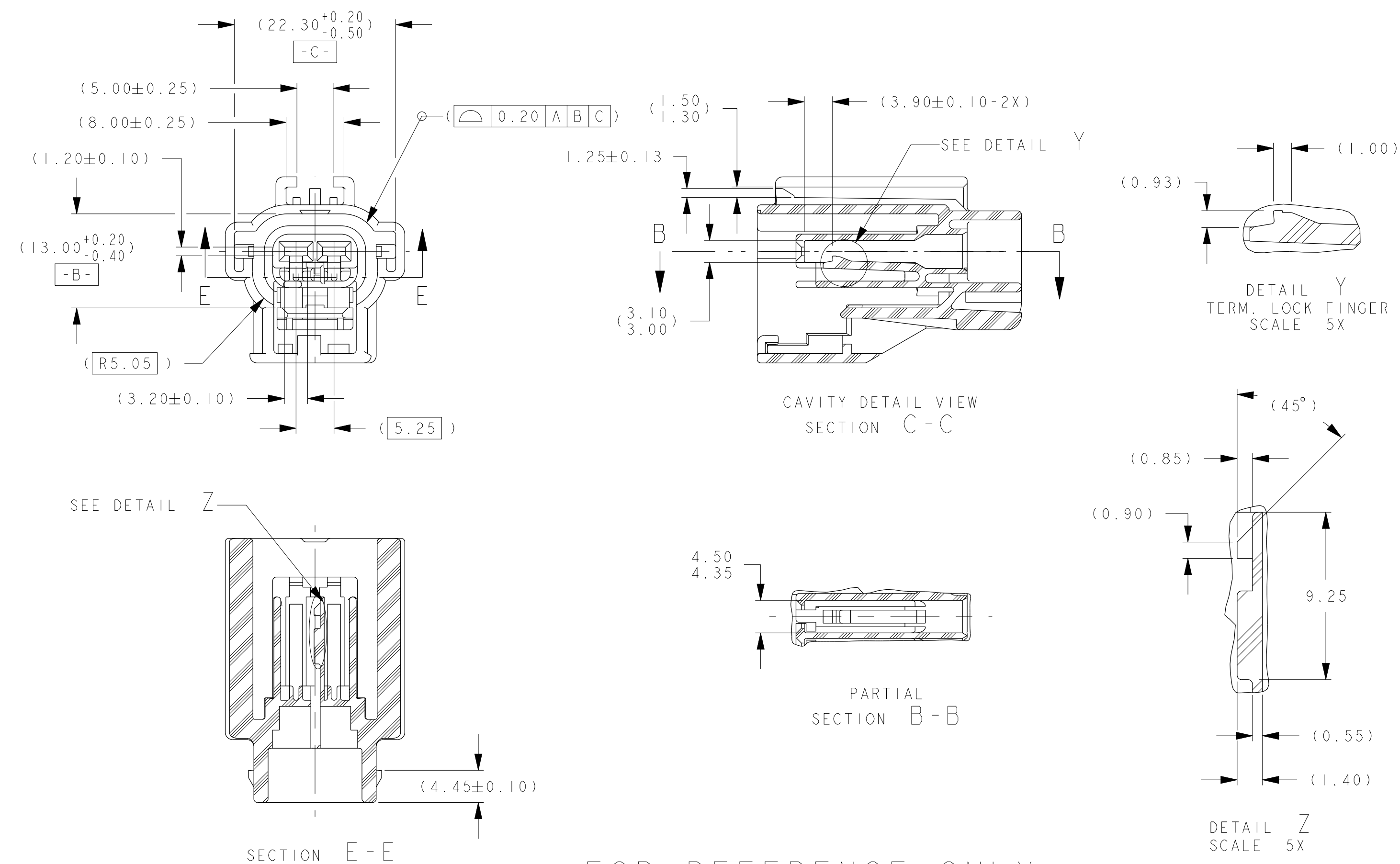
LAST 5 DIGITS OF 8 DIGIT P/N & PART CHANGE LEVEL (PCL) OR LAST 6 DIGITS OF 9 DIGIT OR 10 DIGIT P/N & PART CHANGE LEVEL (PCL)
MFG. DAILY DATE CODE & ASSY MACHINE NO. LETTERING MUST BE LEGIBLE
OPTIONAL



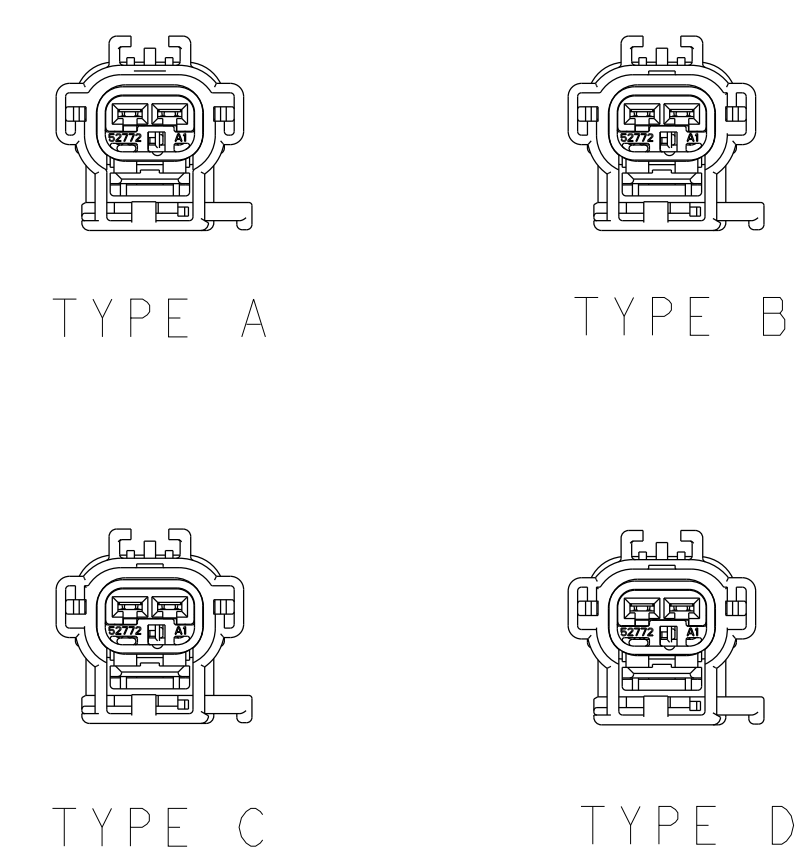
WITHOUT CPA
SEE P/N CHART
ALL DIMENSIONS SAME AS WITH CPA



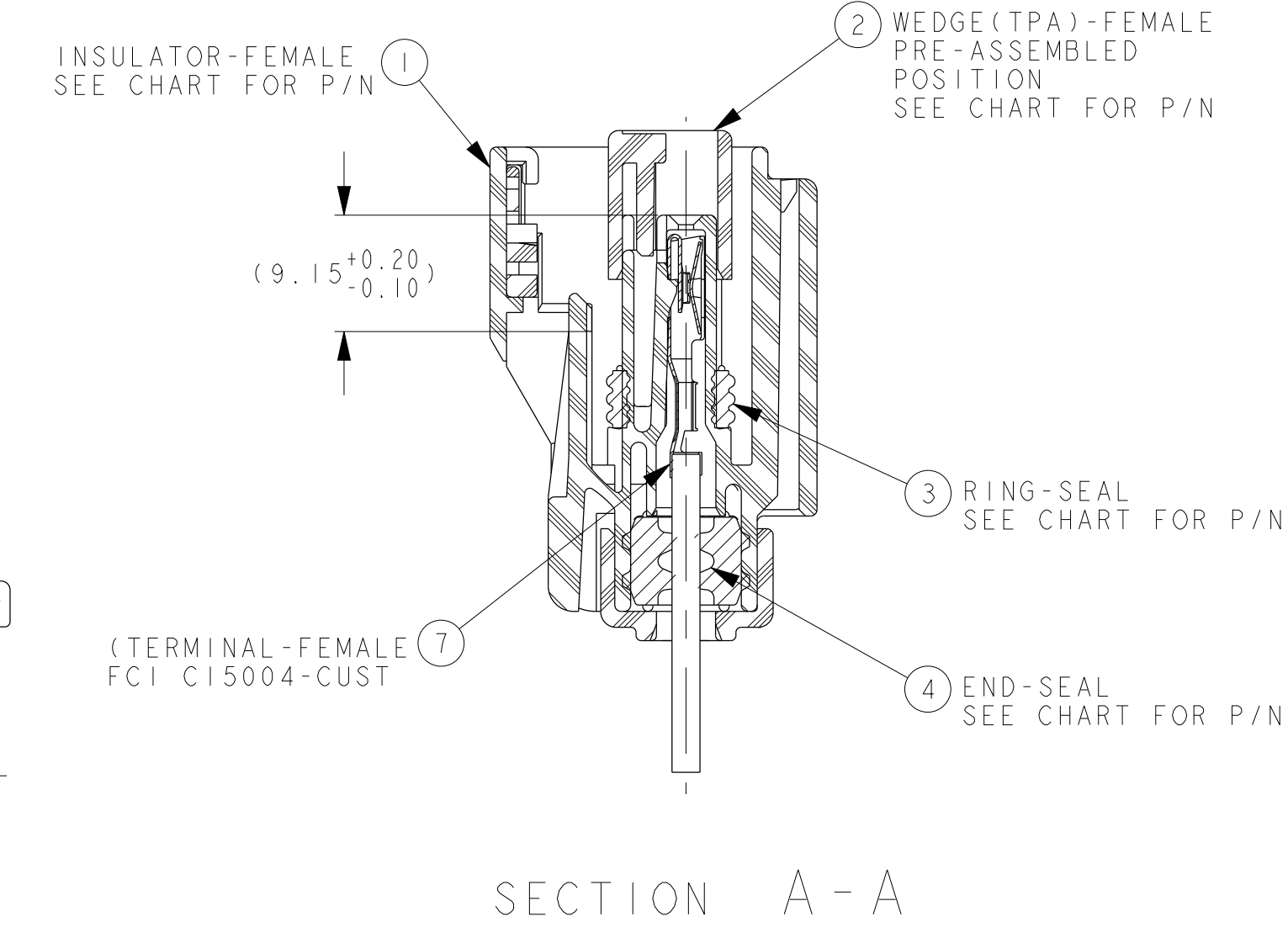
SEALED ASSEMBLY VIEWS
SEE P/N CHART SHOWN WITH CPA'S



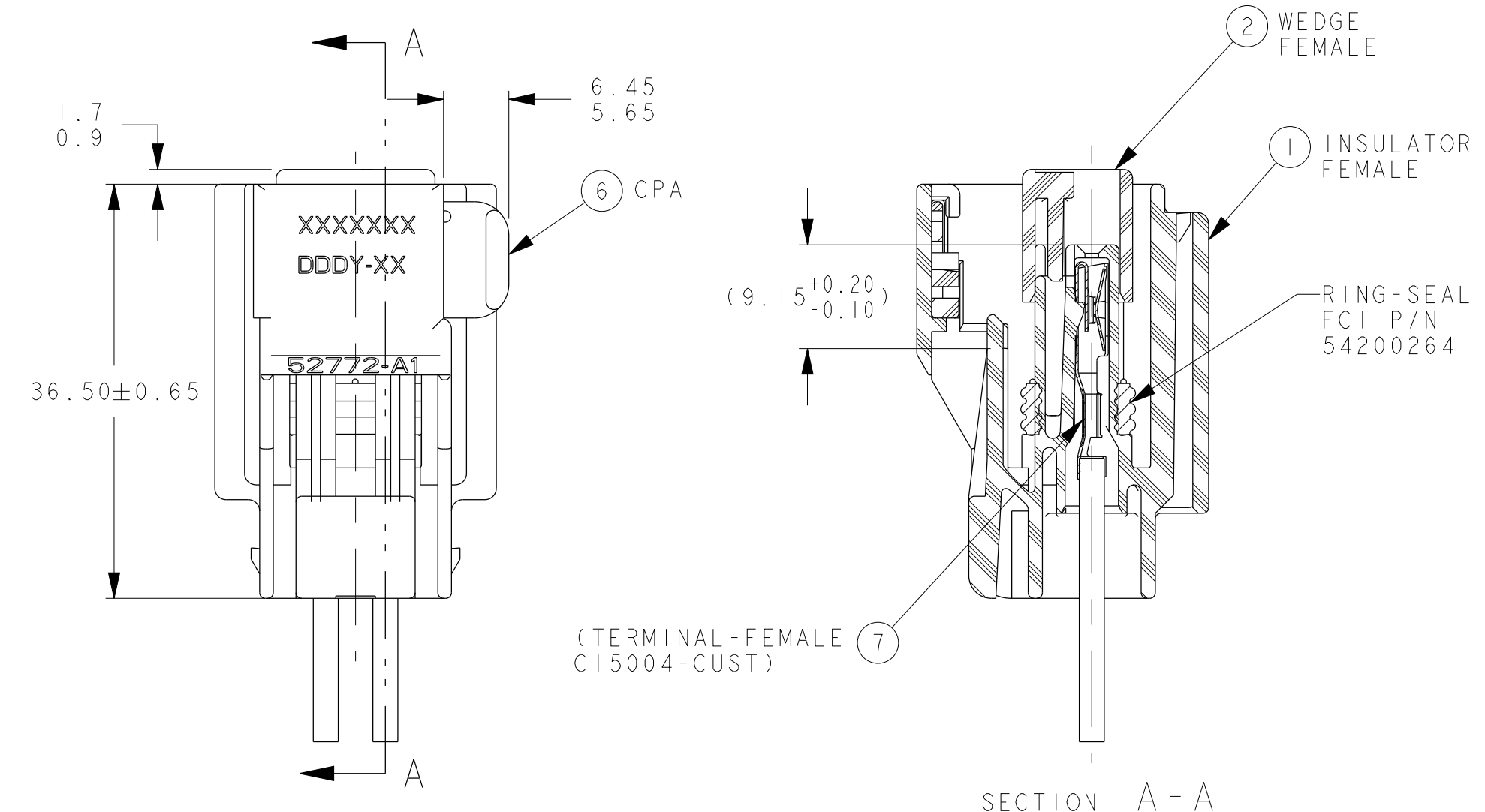
FOR REFERENCE ONLY
INSULATOR VIEWS



POLARIZATION OPTIONS
FULL SIZE
SHOWN W/CPA



SECTION A-A



PARTIALLY SEALED ASSEMBLY VIEWS
SEE PART NUMBER CHART

- NOTES:
- QUALITY ASSURANCE REQUIREMENTS PER CHRYSLER PS-7300: 1 SPC DATA REQUIRED
 - ENGINEERING APPROVAL OF SUPPLIER SAMPLES IS REQUIRED PRIOR TO AUTHORIZATION OF PART PRODUCTION
 - CHANGES IN DESIGN COMPOSITION OR PROCESSING FROM THE PART PREVIOUSLY APPROVED FOR PART PRODUCTION REQUIRES PRIOR ENGINEERING APPROVAL
 - WIRING FABRICATORS MUST PURCHASE FROM SOURCES SHOWN
 - ALL THE SEALED CONNECTOR APPLICATIONS MUST BE USED WITH CHRYSLER WIRE SPEC. MS-8886, MS-9502 OR ISO 6722 EQUIVALENTS THIN WALL X-LINK ONLY
A- ASSEMBLIES WITH FCI P/N'S 54200239 OR 54200240 END SEALS MUST BE USED WITH 20 TO 14AWG OR ISO EQUIVALENTS WIRES WITH INSULATION Ø1.10 TO Ø2.77 O.D.
B- ASSEMBLIES WITH FCI P/N'S 54200241 OR F480510 END SEALS MUST BE USED WITH 14 TO 10AWG OR ISO EQUIVALENTS WIRES WITH INSULATION Ø2.50 TO Ø4.09 O.D.
 - FCI P/N'S 54200238 RING SEAL, 54200240 AND F480510 END SEALS BAKED AT 450°F FOR 5 HOURS TO DRIVE OFF VOLATILES
 - ALL NON-SEALED APPLICATIONS MAY BE USED WITH ANY WIRE INSULATION 22 TO 10AWG OR ISO EQUIVALENTS (EXCEPT AS NOTED BELOW) PROVIDED THAT A TERMINAL GRIP FOR THAT CORE/INSULATION IS SHOWN ON C15004-CUST FEMALE TERMINAL DRAWING
MAX. INSULATION CRIMP WIDTH = 4.50
MAX. INSULATION CRIMP HEIGHT = 4.50
MAX. INSULATION DIA = 4.09 (10 GA THIN WALL)
 - USE WITH FOLLOWING APPLICABLE COMPONENTS AS NEEDED:
CAVITY PLUG FCI P/N 54200005 (CHRYSLER P/N 56038308)
DOUBLE X-MAS TREE CLIP CHRYSLER P/N 04707091
SINGLE X-MAS TREE CLIP CHRYSLER P/N 04825797
2.80MM APEX FEMALE TERMINAL PER 15004-CUST SYMMETRICAL ABOUT CENTERLINE FOR 180° ORIENTATION
 - DIRECT CONNECT INTERFACE PER FCI G36002 (CHRYSLER 4707027)
 - TEST METHOD PER SAE/JUSCAR-2 REV 5. CONNECTOR ENGAGE & DISENGAGE WITH LATCH DEPRESSED FORCE NOT TO EXCEED 75N FOR THIS SYSTEM
CPA SEATING FORCES - 40N MAX
WEDGE SEATING FORCES - 100N MAX
X-MAS TREE CLIP INSERTION FORCE - 75N MAX
 - FCI SUPPLIER CODE 52772, MOLD & CAVITY I.D. SIGNIFIES TOOL OWNERSHIP FOR REFERENCE
 - ANNUAL QUALITY REQUIREMENTS:
IT IS PERMISSIBLE TO PERFORM CONTINUOUS CONFORMANCE PER FCI SPECIFICATION 840A-001 INSTEAD OF ANNUAL LAYOUT 8
ANNUAL PV REQUIREMENTS OF QS-9000 SECTION 2 & SAE/JUSCAR-2
ALL NON-REFERENCE DIMENSIONS ARE REQUIRED
- USE INDEX A, BLACK SEALED AND UNSEALED FOR ALL AFFECTED INSULATOR CAVITIES
- CURRENT PRODUCTION TOOLING
- POINT OF LAST RUN
 - SERVICE TOOLING GUIDE INFORMATION PER APEX TRAINING MANUAL
 - FCI P/N 54200259 NOT PRODUCED USE FCI P/N 55200200
 - MUST CONFORM TO THE FOLLOWING CHRYSLER/YNA STANDARDS:
SAE/JUSCAR-2 REV 5 EXCEPT AS NOTED ABOVE
PS-7300 QUALITY ASSURANCE (CHRYSLER)
PS-4480-CEK-4 (CHRYSLER) PART I.D., (G-009-2 YNA)
PS-9065 REGRIND (CHRYSLER), (G-009-3 YNA)
PS-9227 DATA EXCHANGE (CHRYSLER), (G-008-7 YNA)
PS-10052 INFORMATION SECURITY (CHRYSLER)
 - THIS DRAWING (HS9000) REPLACES CHRYSLER DRAWING NUMBER 04687874 LEVEL "P" CHRYSLER DRAWING IS FOR REFERENCE ONLY
 - FCI P/N WITH SUFFIX "N" DESIGNATES ASSEMBLIES W/O CPA
 - MUST BE USED WITH FLUOROSILICONE END SEAL P/N 54200265, RETAINER P/N 54200234 & PROPER GAGE TEFLOON WIRES FOR FLEX FUEL OR DIESEL FUEL APPLICATIONS. ASSEMBLE TERMINALS THROUGH RETAINER & ENDSEAL PRIOR TO ASSEMBLING INTO TERMINAL CAVITY

MATING PART NUMBERS CHART										
INDEX TYPE	COLOR	SEALED/UNSEALED	FEMALE ASSEMBLY PART NUMBERS			MATING ASSEMBLY PART NUMBER FOR REFERENCE ONLY			FCI	YNA
			FCI	CUSTOMER	YNA	FCI	CUSTOMER	YNA		
D	NATURAL	UNSEALED	54200203N	N/A	N/A	55200209	DIRECT CONNECT APPLICATION	N/A		
		SEALED	54200203	C 04687920	7283-5373	55200209	DIRECT CONNECT APPLICATION	N/A		
		SEALED	F70510	N/A	N/A	F380510	N/A	N/A		
		SEALED	54200262	N/A	N/A	54200276	DIRECT CONNECT APPLICATION	N/A		
	TAN	SEALED	54200209N	N/A	N/A	55200205	DIRECT CONNECT APPLICATION	N/A		
		SEALED	54200209	C 04687916	7283-5375	55200205	DIRECT CONNECT APPLICATION	N/A		
		SEALED	54200202N	N/A	N/A	55200208	DIRECT CONNECT APPLICATION	N/A		
		SEALED	54200202	C 04687919	7283-5372-10	55200208	DIRECT CONNECT APPLICATION	N/A		
	DK GREY	SEALED	54200208N	N/A	N/A	55200204	DIRECT CONNECT APPLICATION	N/A		
		SEALED	54200208	C 04687914	7283-5374-10	55200204	DIRECT CONNECT APPLICATION	N/A		
		SEALED	54200201N	N/A	N/A	54200205	N/A	N/A		
		SEALED	54200201	C 04687918	7283-5371-40	54200205	C 04687924	N/A		
DK BROWN	SEALED	54200208N	N/A	N/A	55200204	DIRECT CONNECT APPLICATION	N/A			
	SEALED	54200208	C 04687914	7283-5374-10	55200204	DIRECT CONNECT APPLICATION	N/A			
	SEALED	54200201N	N/A	N/A	54200205	N/A	N/A			
	SEALED	54200201	C 04687918	7283-5371-40	54200205	C 04687924	N/A			
DK GREY	SEALED	54200208N	N/A	N/A	55200204	DIRECT CONNECT APPLICATION	N/A			
	SEALED	54200208	C 04687914	7283-5374-10	55200204	DIRECT CONNECT APPLICATION	N/A			
	SEALED	54200201N	N/A	N/A	54200205	N/A	N/A			
	SEALED	54200201	C 04687918	7283-5371-40	54200205	C 04687924	N/A			
LT GREY	SEALED	54200208N	N/A	N/A	55200204	DIRECT CONNECT APPLICATION	N/A			
	SEALED	54200208	C 04687914	7283-5374-10	55200204	DIRECT CONNECT APPLICATION	N/A			
	SEALED	54200201N	N/A	N/A	54200205	N/A	N/A			
	SEALED	54200201	C 04687918	7283-5371-40	54200205	C 04687924	N/A			
DK BLUE	SEALED	54200208N	N/A	N/A	55200204	DIRECT CONNECT APPLICATION	N/A			
	SEALED	54200208	C 04687914	7283-5374-10	55200204	DIRECT CONNECT APPLICATION	N/A			
	SEALED	54200201N	N/A	N/A	54200205	N/A	N/A			
	SEALED	54200201	C 04687918	7283-5371-40	54200205	C 04687924	N/A			
LT GREY	SEALED	54200208N	N/A	N/A	55200204	DIRECT CONNECT APPLICATION	N/A			
	SEALED	54200208	C 04687914	7283-5374-10	55200204	DIRECT CONNECT APPLICATION	N/A			
	SEALED	54200201N	N/A	N/A	54200205	N/A	N/A			
	SEALED	54200201	C 04687918	7283-5371-40	54200205	C 04687924	N/A			
A	LT GRN	UNSEALED	54200251N	N/A	N/A		DIRECT CONNECT APPLICATION			
		SEALED	54200251	C 04688293AA	-		DIRECT CONNECT APPLICATION			
		SEALED	54200212N	N/A	N/A	54200233	N/A	N/A		
		SEALED	54200212	C 04688917	7283-5367-60	54200233	C 04686173AA	N/A		
	BLACK	UNSEALED	54200200N	N/A	N/A	54200204	N/A	N/A		
		SEALED	54200200	C 04688917	7283-5358-30	54200204	C 04687923	N/A		
		SEALED	54200263	N/A	N/A	DEVICE	N/A	N/A		
		SEALED	54200206	C 04687912	7283-5292-30	54200210	C 04687921	7283-5292-30		
		SEALED	54200213N	N/A	N/A	54200215	N/A	N/A		
		SEALED	54200213	C 04793832	-	54200215	C 04793833	N/A		
		SEALED	54200214N	C 56021913AA	7283-6210-30					
		SEALED	F70510	N/A	N/A	F080510	N/A	N/A		
DK GRN	SEALED	55200200	-	7283-8377-60	54200273	N/A	N/A			
	SEALED	55200200N	N/A	-	54200273	N/A	N/A			
	SEALED	FCI	CUSTOMER	YNA	FCI	CUSTOMER	YNA			
	SEALED	FCI	CUSTOMER	YNA	FCI	CUSTOMER	YNA			

CHART-ASSEMBLY PART NUMBERS										
FCI P/N'S	CUSTOMER P/N'S	UNSEALED				SEALED				TEMPERATURE CLASS 3
		W/O CPA	W/CPA	W/CPA	W/O CPA	W/O CPA	W/CPA	W/CPA	W/O CPA	
54200251N										
54200200N										
54200201N										
54200202N										
54200203N										
54200204N										
54200205N										
54200206N										
54200207N										
54200208N										
54200209N										
54200210N										
54200211N										
54200212N										
54200213N										
54200214N										
54200215N										
54200216N										
54200217N										
54200218N										
54200219N										
54200220N										
54200221N										
54200222N										
54200223N										
54200224N										
54200225N										
54200226N										
54200227N										
54200228N										
54200229N										
54200230N										
54200231N										
54200232N										
54200233N										
54200234N										
54200235N										
54200236N										
54200237N										
54200238N										
54200239N										
54200240N										
54200241N										
54200242N										
54200243N										
54200244N										
54200245N										
54200246N										
54200247N										
54200248N										
54200249N										
54200250N										
54200251N										
54200252N										
54200253N										
54200254N										
54200255N										
54200256N										
54200257N										
54200258N										
54200259N										
54200260N										
54200261N										
54200262N										
54200263N										
54200264N										
54200265N										
54200266N										
54200267N										
54200268N										
54200269N										
54200270N										
54200271N										

Данный компонент на территории Российской Федерации

Вы можете приобрести в компании MosChip.

Для оперативного оформления запроса Вам необходимо перейти по данной ссылке:

<http://moschip.ru/get-element>

Вы можете разместить у нас заказ для любого Вашего проекта, будь то серийное производство или разработка единичного прибора.

В нашем ассортименте представлены ведущие мировые производители активных и пассивных электронных компонентов.

Нашей специализацией является поставка электронной компонентной базы двойного назначения, продукции таких производителей как XILINX, Intel (ex.ALTERA), Vicor, Microchip, Texas Instruments, Analog Devices, Mini-Circuits, Amphenol, Glenair.

Сотрудничество с глобальными дистрибьюторами электронных компонентов, предоставляет возможность заказывать и получать с международных складов практически любой перечень компонентов в оптимальные для Вас сроки.

На всех этапах разработки и производства наши партнеры могут получить квалифицированную поддержку опытных инженеров.

Система менеджмента качества компании отвечает требованиям в соответствии с ГОСТ Р ИСО 9001, ГОСТ РВ 0015-002 и ЭС РД 009

Офис по работе с юридическими лицами:

105318, г.Москва, ул.Щербаковская д.3, офис 1107, 1118, ДЦ «Щербаковский»

Телефон: +7 495 668-12-70 (многоканальный)

Факс: +7 495 668-12-70 (доб.304)

E-mail: info@moschip.ru

Skype отдела продаж:

moschip.ru

moschip.ru_4

moschip.ru_6

moschip.ru_9