

# Power terminal block - AKG 35 BK - 0424039

Please be informed that the data shown in this PDF Document is generated from our Online Catalog. Please find the complete data in the user's documentation. Our General Terms of Use for Downloads are valid (<http://download.phoenixcontact.com>)




Power terminal block, Connection method Screw connection, Load current : 125 A, Cross section: 2.5 mm<sup>2</sup> - 35 mm<sup>2</sup>, Width: 14.3 mm, Color: black

## Product description

Power terminal block, Connection method Screw connection, Load current : 125 A, Cross section: 2.5 mm<sup>2</sup> - 35 mm<sup>2</sup>, Width: 14.3 mm, Color: black



## Key commercial data

Packing unit	1
Minimum order quantity	50
Catalog page	Page 499 (CL1-2011)
GTIN	 4 017918 002060
Weight per piece (including packing)	0.0 GRM
Weight per Piece (excluding packing)	19.7 GRM
Country of origin	GERMANY

## Technical data

### General

Color	black
Insulating material	PA
Inflammability class according to UL 94	V2

### Dimensions

Length	27 mm
Width	14.3 mm

### Technical data

Maximum load current	125 A (with 35 mm <sup>2</sup> conductor cross section)
Connection in acc. with standard	IEC / EN
Nominal current I <sub>N</sub>	125 A

### Connection data

Conductor cross section solid min.	2.5 mm <sup>2</sup>
------------------------------------	---------------------

# Power terminal block - AKG 35 BK - 0424039

## Technical data

### Connection data

Conductor cross section solid max.	35 mm <sup>2</sup>
Conductor cross section stranded min.	2.5 mm <sup>2</sup>
Conductor cross section stranded max.	25 mm <sup>2</sup>
Conductor cross section AWG/kcmil min.	14
Conductor cross section AWG/kcmil max	2
Conductor cross section stranded, with ferrule without plastic sleeve min.	2.5 mm <sup>2</sup>
Conductor cross section stranded, with ferrule without plastic sleeve max.	35 mm <sup>2</sup>
Conductor cross section stranded, with ferrule with plastic sleeve min.	2.5 mm <sup>2</sup>
Conductor cross section stranded, with ferrule with plastic sleeve max.	35 mm <sup>2</sup>
2 conductors with same cross section, solid min.	1.5 mm <sup>2</sup>
2 conductors with same cross section, solid max.	16 mm <sup>2</sup>
2 conductors with same cross section, stranded min.	1.5 mm <sup>2</sup>
2 conductors with same cross section, stranded max.	16 mm <sup>2</sup>
2 conductors with same cross section, stranded, ferrules without plastic sleeve, min.	1.5 mm <sup>2</sup>
2 conductors with same cross section, stranded, ferrules without plastic sleeve, max.	16 mm <sup>2</sup>
2 conductors with same cross section, stranded, TWIN ferrules with plastic sleeve, min.	1.5 mm <sup>2</sup>
2 conductors with same cross section, stranded, TWIN ferrules with plastic sleeve, max.	10 mm <sup>2</sup>
Connection method	Screw connection
Stripping length	16 mm
Screw thread	M6
Tightening torque, min	3.2 Nm
Tightening torque max	3.7 Nm

## Classifications

### eClass

eClass 4.0	27141131
eClass 4.1	27141131
eClass 5.0	27141131
eClass 5.1	27141131
eClass 6.0	27141120

### etim

ETIM 2.0	EC000897
ETIM 3.0	EC000897
ETIM 4.0	EC000897

# Power terminal block - AKG 35 BK - 0424039

## Classifications

unspsc

UNSPSC 6.01	30211811
UNSPSC 7.0901	39121410
UNSPSC 11	39121410
UNSPSC 12.01	39121410
UNSPSC 13.2	39121410

## Approvals

### Certificates

Certification

CSA / UL Recognized / cUL Recognized / GOST / GOST / cULus Recognized

Certification EX

Certification submitted

### Approval details

CSA	
mm <sup>2</sup> /AWG/kcmil	18-2
Nominal current I <sub>N</sub>	135 A

UL Recognized		
	B	C
mm <sup>2</sup> /AWG/kcmil	18-2	18-2
Nominal current I <sub>N</sub>	115 A	115 A
Nominal voltage U <sub>N</sub>	250 V	300 V

cUL Recognized		
	B	C
mm <sup>2</sup> /AWG/kcmil	18-2	18-2
Nominal current I <sub>N</sub>	115 A	115 A
Nominal voltage U <sub>N</sub>	250 V	300 V

GOST
------

GOST
------

## Power terminal block - AKG 35 BK - 0424039

### Approvals

cULus Recognized

### Accessories

Accessories

Assembly

Support - ABN 2/SS - 0404460

Double support, insulating material, optionally for use with 3 x 10 mm or 6 x 6 mm busbar, height in closed state: 39 mm



Support - UAB 1 - 3032431

Support, Width: 2 mm, Color: blue



Support - AB/SS - 0404428

Support made of insulating material, with retaining screw, for use with either 3 x 10 mm or 6 x 6 mm busbar, color: gray



Support - AB2/SS - 0404431

Double support, insulating material, optionally for use with 3 mm x 10 mm or 6 mm x 6 mm busbar, height: 48 mm



Neutral busbar - NLS-CU 3/10 SN 1000MM - 0402174

PEN conductor busbar, 3mm x 10 mm, length: 1000 mm



## Power terminal block - AKG 35 BK - 0424039

### Accessories

#### Marking

Zack marker strip - ZB 6:UNBEDRUCKT - 1051003

Zack marker strip, Strip, white, Unlabeled, Can be labeled with: Plotter, Mounting type: Snap into tall marker groove, For term



---

#### Tools

Screwdriver - SZS 1,0X4,0 VDE - 1205066

Screwdriver, bladed, VDE insulated, size: 1.0 x 4.0 x 100 mm, 2-component grip, with non-slip grip



---

Screwdriver - SZS 1,0X6,5 VDE - 1205079

Screwdriver, bladed, VDE insulated, size: 1.0 x 6.5 x 150 mm, 2-component grip, with non-slip grip

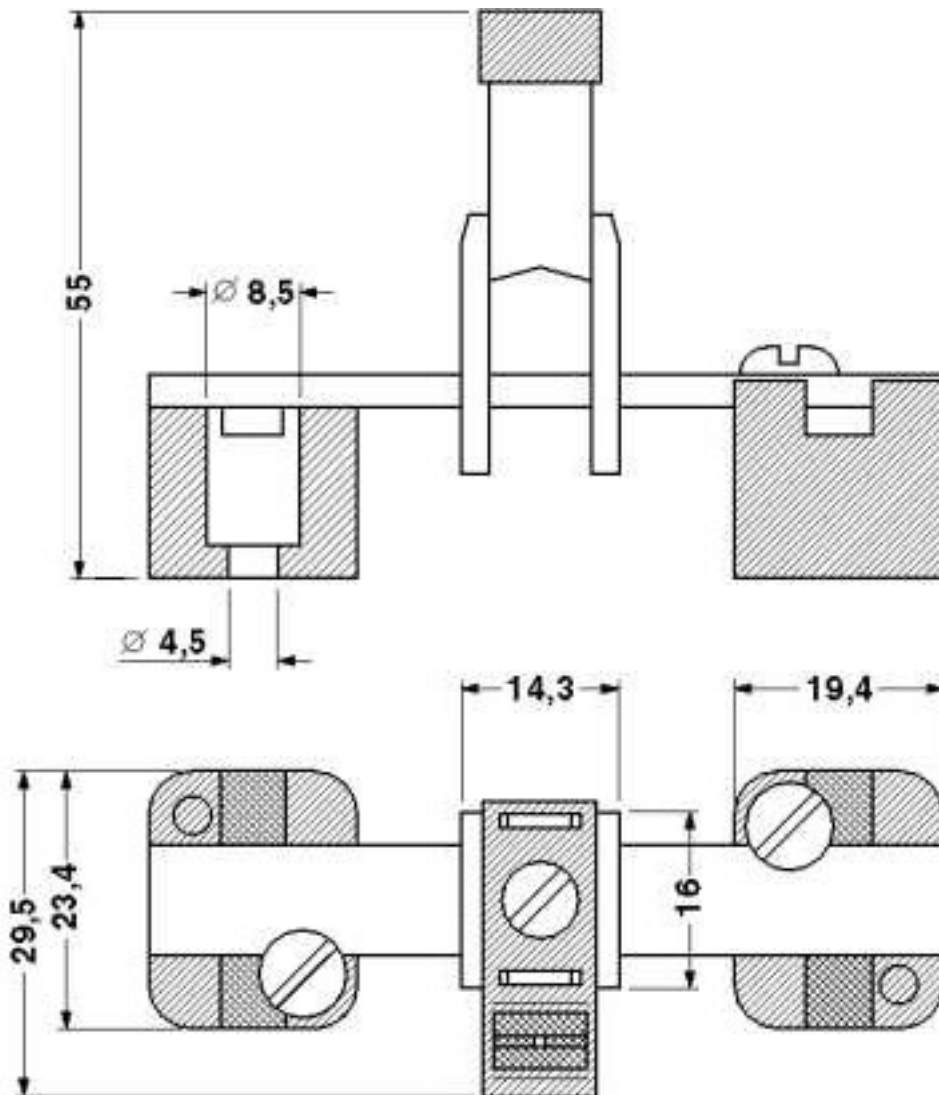


---

#### Drawings

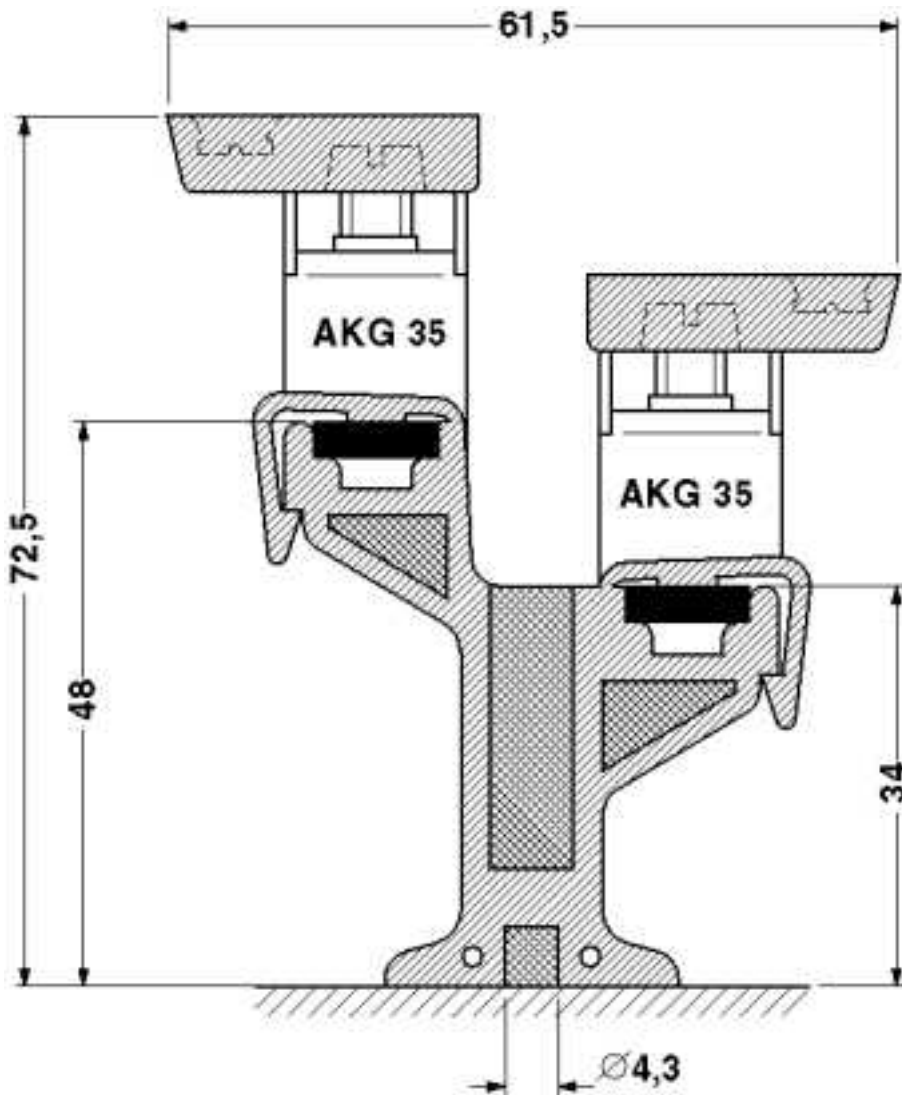
# Power terminal block - AKG 35 BK - 0424039

Dimensioned drawing



# Power terminal block - AKG 35 BK - 0424039

Dimensioned drawing



## Данный компонент на территории Российской Федерации

### Вы можете приобрести в компании MosChip.

Для оперативного оформления запроса Вам необходимо перейти по данной ссылке:

<http://moschip.ru/get-element>

Вы можете разместить у нас заказ для любого Вашего проекта, будь то серийное производство или разработка единичного прибора.

В нашем ассортименте представлены ведущие мировые производители активных и пассивных электронных компонентов.

Нашей специализацией является поставка электронной компонентной базы двойного назначения, продукции таких производителей как XILINX, Intel (ex.ALTERA), Vicor, Microchip, Texas Instruments, Analog Devices, Mini-Circuits, Amphenol, Glenair.

Сотрудничество с глобальными дистрибьюторами электронных компонентов, предоставляет возможность заказывать и получать с международных складов практически любой перечень компонентов в оптимальные для Вас сроки.

На всех этапах разработки и производства наши партнеры могут получить квалифицированную поддержку опытных инженеров.

Система менеджмента качества компании отвечает требованиям в соответствии с ГОСТ Р ИСО 9001, ГОСТ РВ 0015-002 и ЭС РД 009

### Офис по работе с юридическими лицами:

105318, г.Москва, ул.Щербаковская д.3, офис 1107, 1118, ДЦ «Щербаковский»

Телефон: +7 495 668-12-70 (многоканальный)

Факс: +7 495 668-12-70 (доб.304)

E-mail: [info@moschip.ru](mailto:info@moschip.ru)

Skype отдела продаж:

moschip.ru

moschip.ru\_4

moschip.ru\_6

moschip.ru\_9