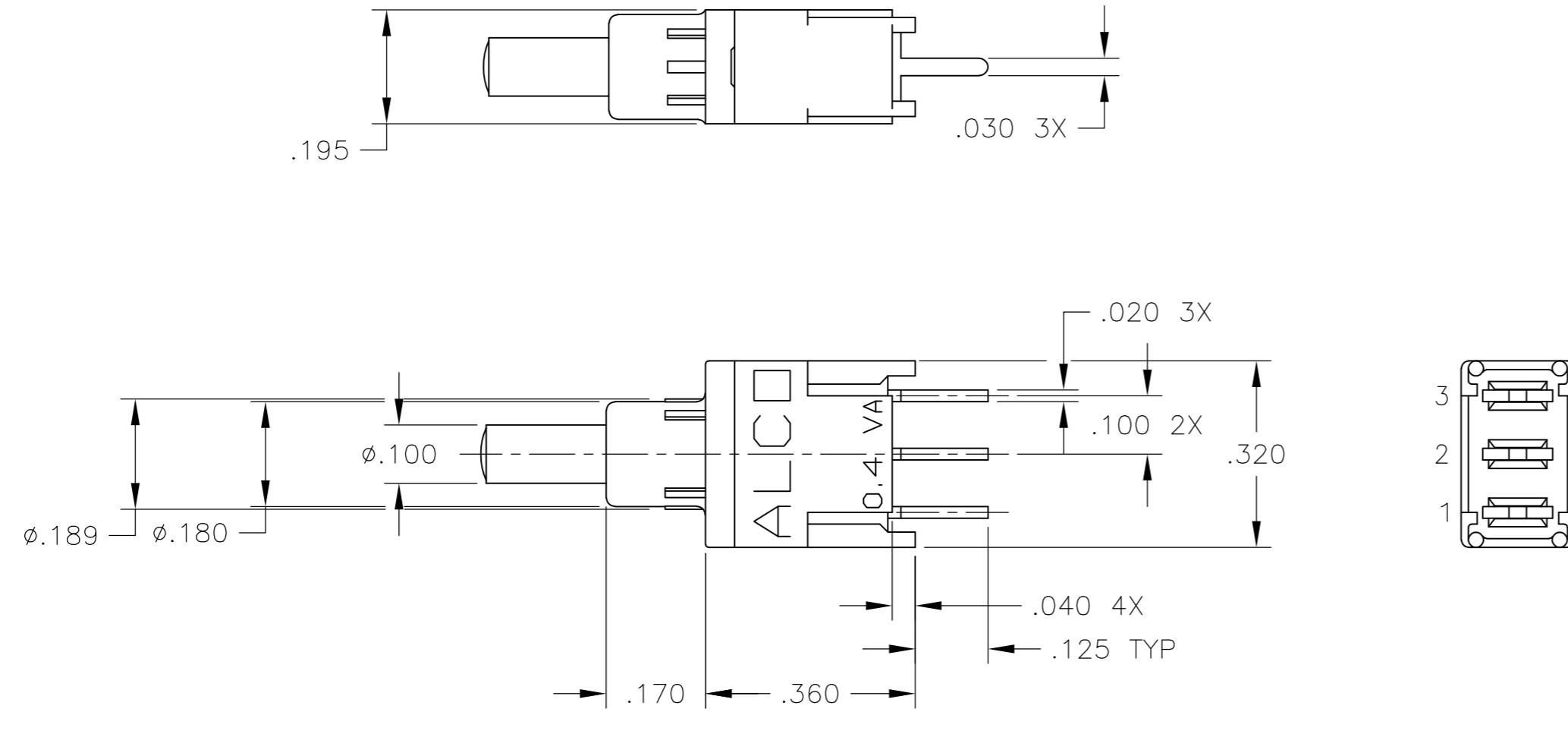
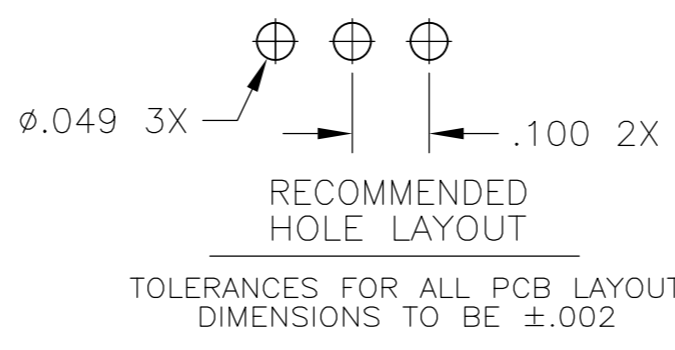


THIS DRAWING IS UNPUBLISHED. RELEASED FOR PUBLICATION
 © COPYRIGHT - By - ALL RIGHTS RESERVED.

LOC		DIST		REVISIONS			
P	LTR	DESCRIPTION	DATE	DWN	APVD		
	A2	REVISED PER ECO-15-004048	16MAR2015	NK	RH		



PC PC MOUNT



SPECIFICATIONS:
MATERIALS:
 CASE & BUSHING: LCP
 BUTTON: POLYAMIDE
 SPRING: MUSIC WIRE, ZN PLATED
 MOVABLE CONTACT: BRASS OR COPPER ALLOY, AU OVER NI PLATED.
 BRACKET: STEEL, TIN OVER COPPER PLATED
 TERMINALS: BRASS, TIN OVER NICKEL IN SOLDER AREA AND GOLD OVER NI IN CONTACT AREA.
 O-RING: NITRILE

ELECTRICAL:
 CONTACT RATING: 0.4VA @ 20 VAC/DC
 INITIAL CONTACT RESISTANCE: 20 MILLIOHMS MAX.
 INSULATION RESISTANCE: 1000 MEGOHMS @ 500V DC MIN.
 DIELECTRIC STRENGTH: **C** 1000 VOLTS RMS AT SEA LEVEL.
F 500 VOLTS RMS AT SEA LEVEL.

LIFE EXPECTANCY: **C** 80,000 CYCLES
F 60,000 CYCLES.
MECHANICAL:
 ACTUATION TRAVEL: .035.

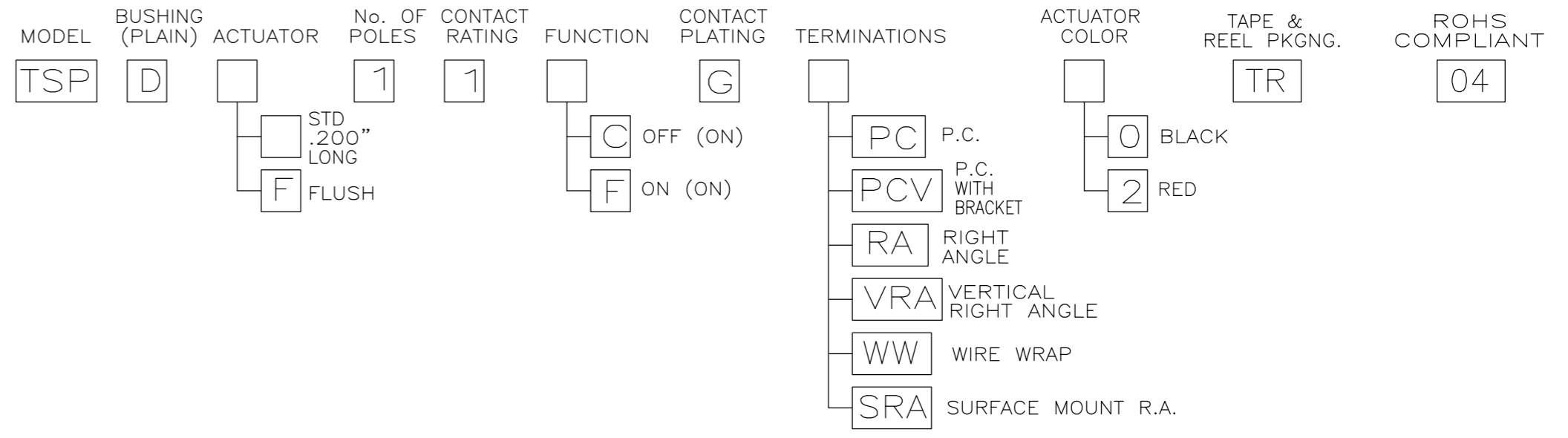
ENVIRONMENTAL:
 OPERATING TEMPERATURE: -22°F TO +185°F
 (-30°C TO +85°C)
 STORAGE TEMPERATURE: -67°F TO +185°F
 (-55°C TO +85°C)

- NOTES:**
- ALL MATERIALS AND FINISHES COMPLY WITH EU DIRECTIVE 2002/95/EC OF 27JAN2003 (ROHS).
 - F FUNCTION NOT AVAILABLE WITH SRA TERMINATION.

FIGURE 1

FUNCTION CHART			
THE FOLLOWING FUNCTIONS AVAILABLE IN SINGLE POLE.			
C 2 POSITIONS	OFF	(ON)	
TERMINALS CONNECTED:		1-3	
OMIT CENTER TERMINAL FOR FUNCTION C			
F 2 POSITIONS	ON	(ON)	
TERMINALS CONNECTED:		1-2 2-3	
		OFF INDICATES A MECHANICAL POSITION WITH NO ELECTRICAL CONNECTION.	
		(ON) INDICATES MOMENTARY ACTION	

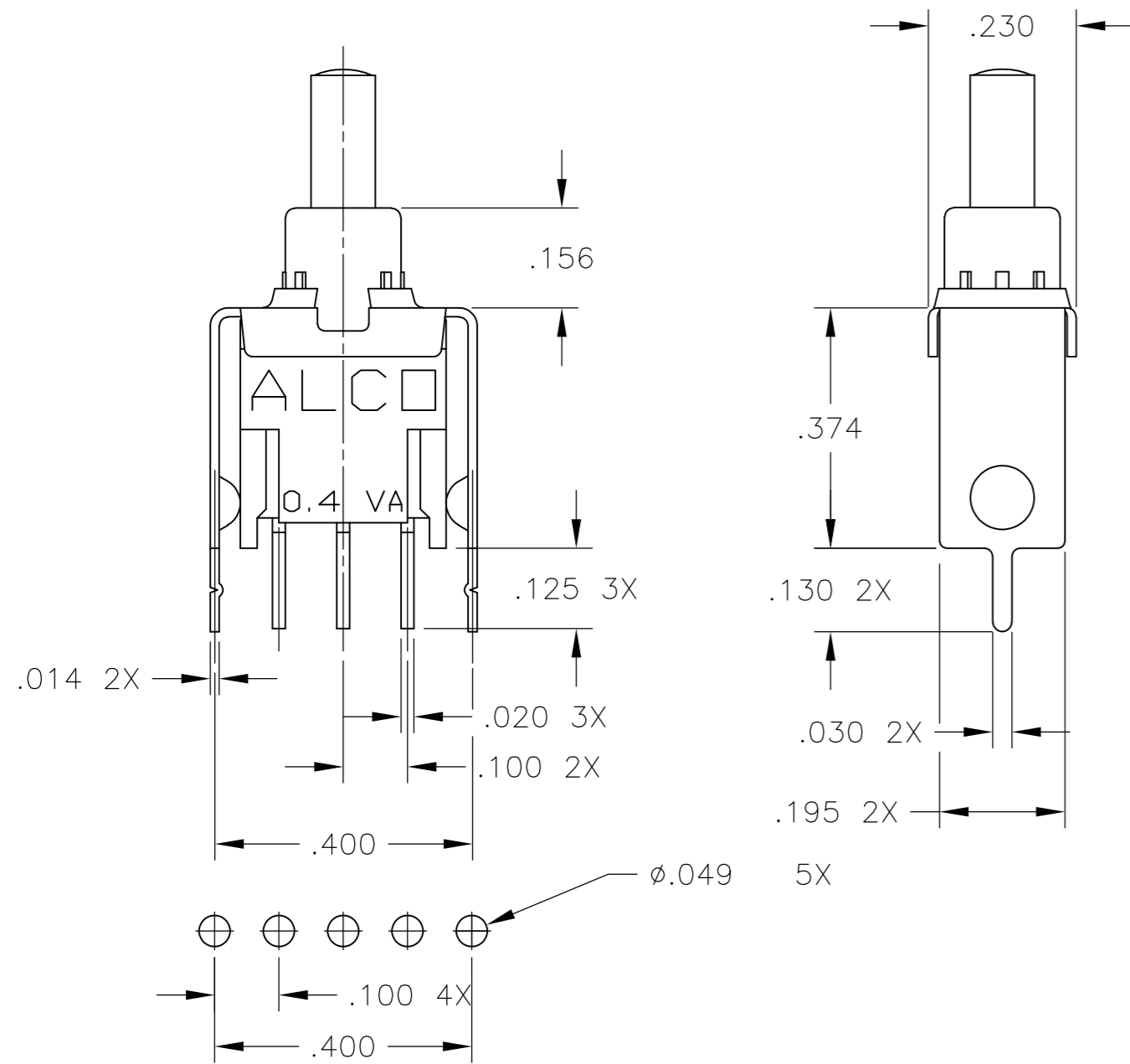
PART NUMBERING SEQUENCE



THIS DRAWING IS A CONTROLLED DOCUMENT.		DWN	M.BINNER	01MAR05	 TE Connectivity
DIMENSIONS: INCHES		CHK	M.ZITTO	01MAR05	
TOLERANCES UNLESS OTHERWISE SPECIFIED:		APVD	M.ZITTO	01MAR05	
0 PLC ± - 1 PLC ± - 2 PLC ± - 3 PLC ± .010 4 PLC ± - ANGLES ± 1°		PRODUCT SPEC	NAME		
MATERIAL		FINISH		WEIGHT	SCALE
-		-		-	4:1
		CUSTOMER DRAWING		SIZE	CAGE CODE
				A2	00779
				DRAWING NO	RESTRICTED TO
				C=1571990	-
				SHEET	REV
				1 of 4	A2

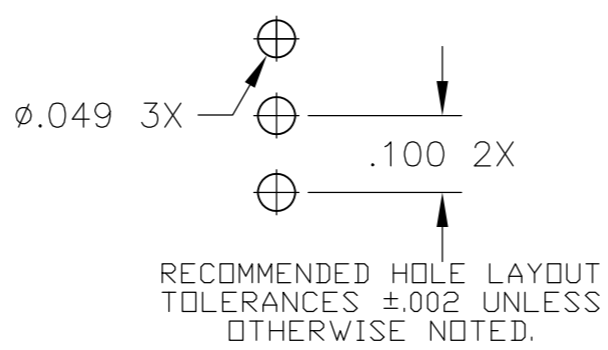
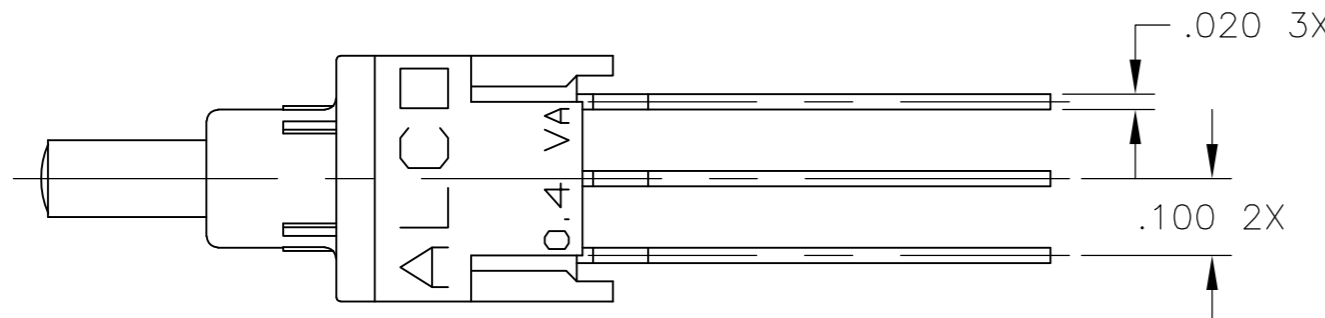
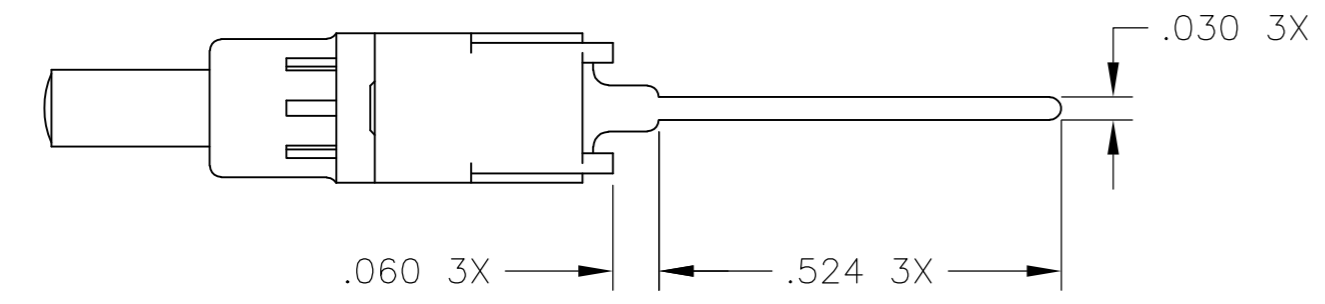
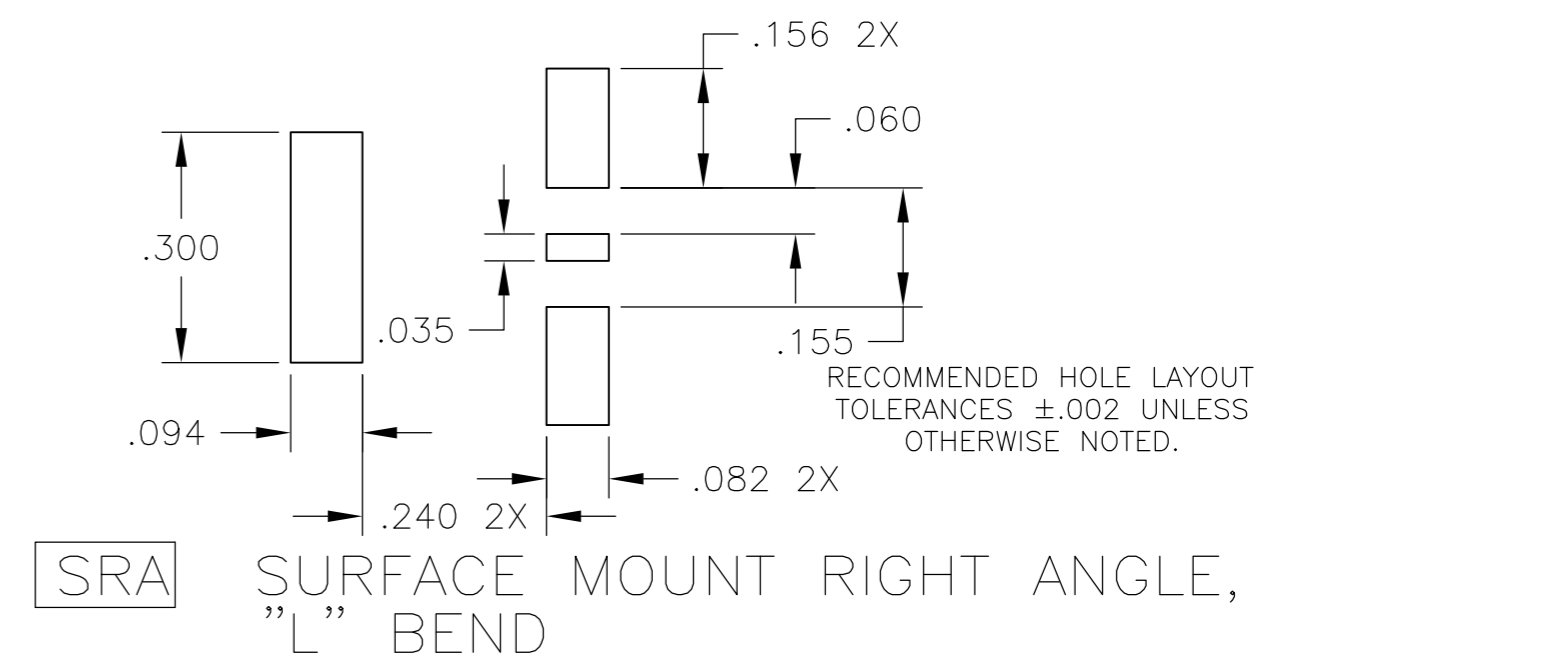
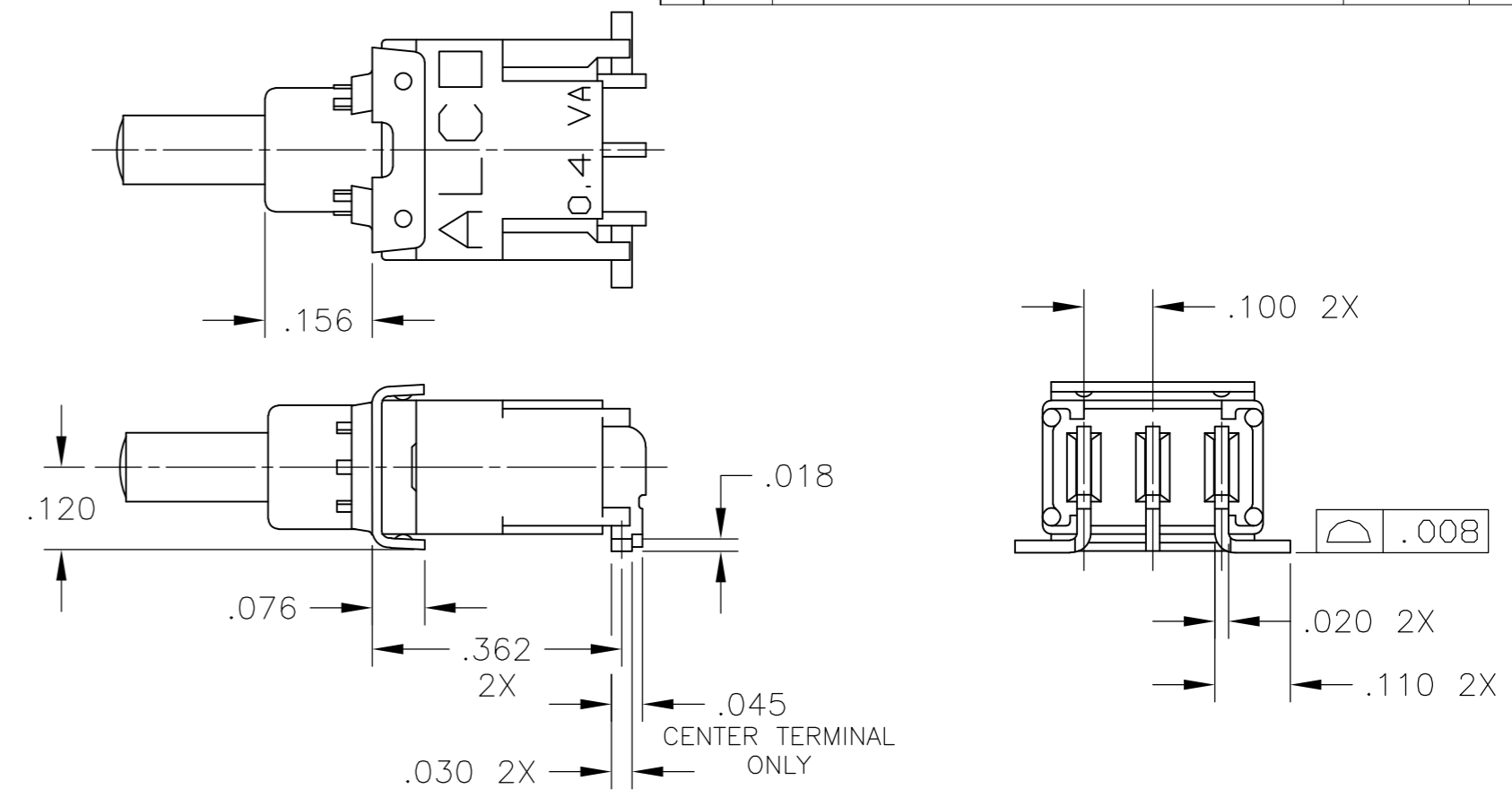
THIS DRAWING IS UNPUBLISHED. RELEASED FOR PUBLICATION
 © COPYRIGHT - By - ALL RIGHTS RESERVED.

LOC		DIST		REVISIONS			
P	LTR	DESCRIPTION	DATE	DWN	APVD		
AD	00	SEE SHEET 1	-	-	-		



RECOMMENDED HOLE LAYOUT
 TOLERANCES ±.002 UNLESS
 OTHERWISE NOTED.

PCV PC WITH VERTICAL
 SUPPORT BRACKET

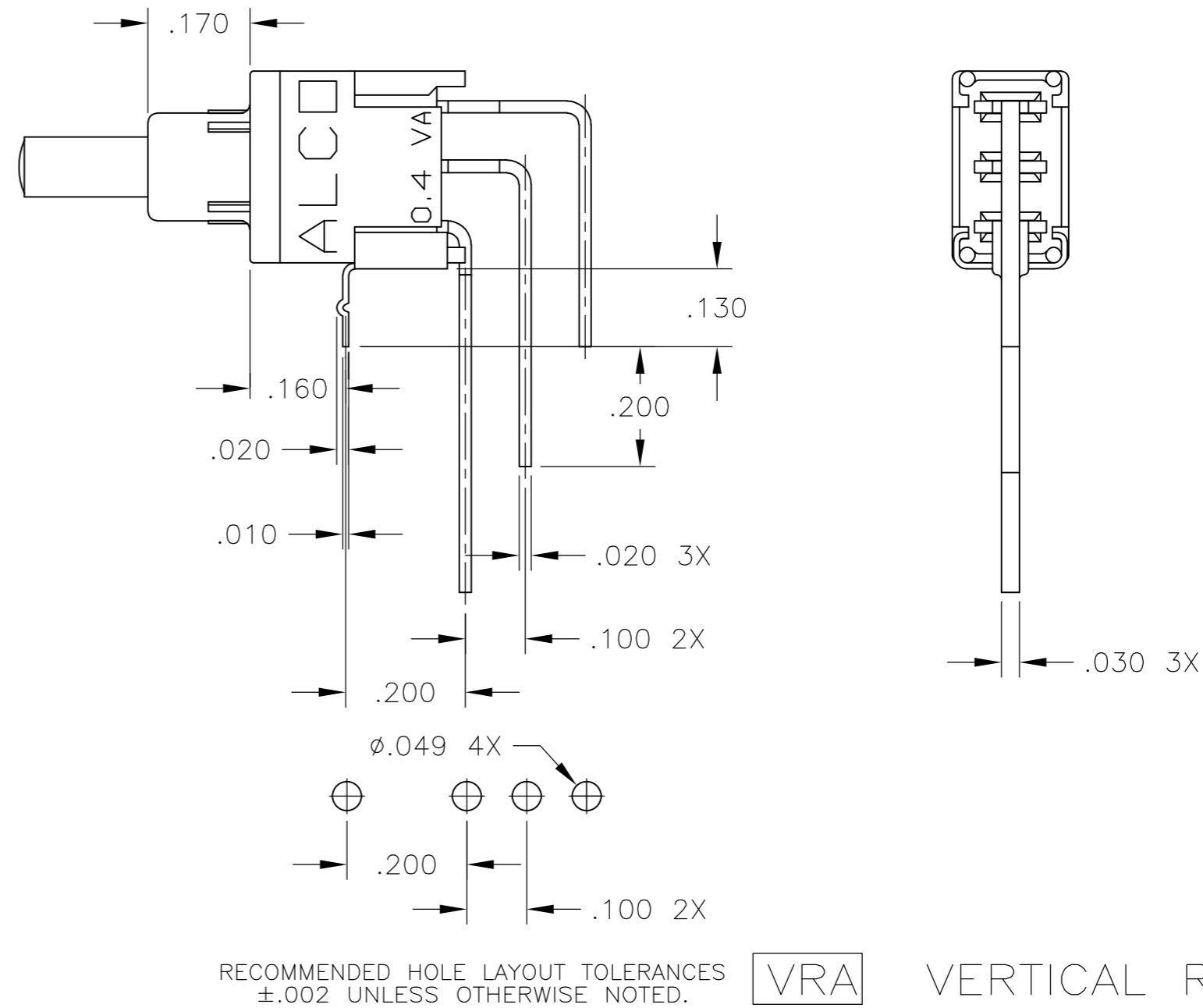
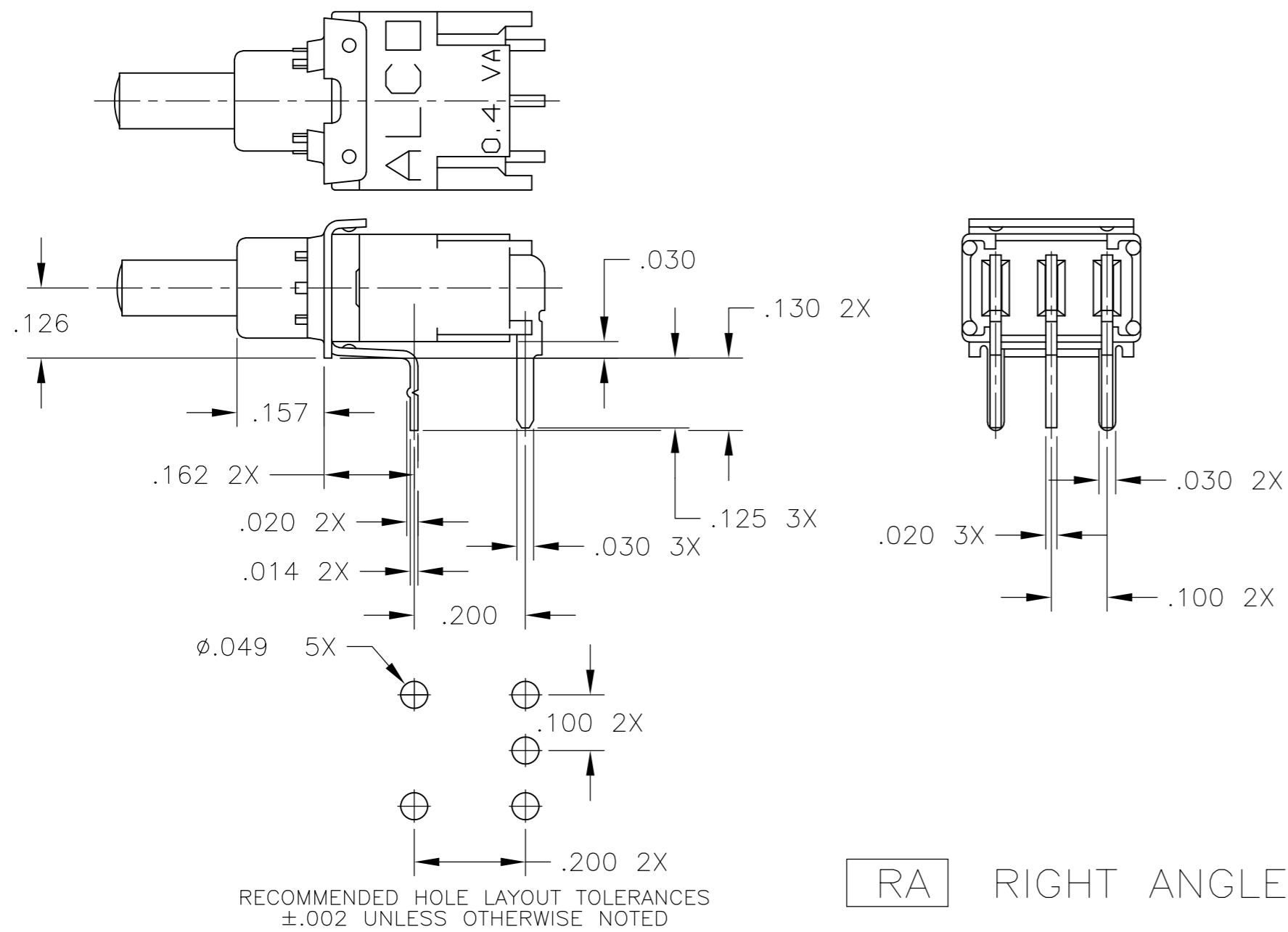


WW WIRE WRAP

THIS DRAWING IS A CONTROLLED DOCUMENT.		DWN	M.BINNER	01MAR05		TE Connectivity					
DIMENSIONS: INCHES		CHK	M.ZITTO	01MAR05		NAME					
TOLERANCES UNLESS OTHERWISE SPECIFIED:		APVD	M.ZITTO	01MAR05		SEALED PUSHBUTTON SWITCH SINGLE POLE, TSP SERIES, ROHS COMPLIANT					
0 PLC ± - 1 PLC ± - 2 PLC ± - 3 PLC ± .010 4 PLC ± - ANGLES ± 1°		PRODUCT SPEC	-			SIZE	CAGE CODE	DRAWING NO	RESTRICTED TO		
MATERIAL		FINISH	-		WEIGHT	A2 00779		C=1571990	-		
-		-		CUSTOMER DRAWING		SCALE	4:1	SHEET	2 of 4	REV	A2

THIS DRAWING IS UNPUBLISHED. RELEASED FOR PUBLICATION
 © COPYRIGHT - By - ALL RIGHTS RESERVED.

LOC		DIST		REVISIONS			
P	LTR	DESCRIPTION	DATE	DWN	APVD		
AD	00						
SEE SHEET 1							




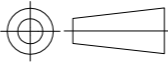
THIS DRAWING IS A CONTROLLED DOCUMENT.		DWN	M.BINNER	01MAR05		TE Connectivity			
DIMENSIONS: INCHES		CHK	M.ZITTO	01MAR05		NAME			
TOLERANCES UNLESS OTHERWISE SPECIFIED:		APVD	M.ZITTO	01MAR05		SEALD PUSHBUTTON SWITCH			
0 PLC ± - 1 PLC ± - 2 PLC ± - 3 PLC ± .010 4 PLC ± - ANGLES ± 1°		PRODUCT SPEC		SINGLE POLE, TSP SERIES, ROHS COMPLIANT					
MATERIAL		FINISH		WEIGHT		SIZE	CAGE CODE	DRAWING NO	RESTRICTED TO
-		-		-		A2	00779	C=1571990	-
CUSTOMER DRAWING				SCALE	4:1	SHEET	3 OF 4	REV	A2

THIS DRAWING IS UNPUBLISHED. RELEASED FOR PUBLICATION
 © COPYRIGHT - By - ALL RIGHTS RESERVED.

LOC	DIST	REVISIONS					
		P	LTR	DESCRIPTION	DATE	DWN	APVD
AD	00	-	-	SEE SHEET 1	-	-	-

PRELIMINARY	TSPDF11FGVRA004	3-1571990-1
OBSOLETE	TSPDF11FGSRA004	3-1571990-0
	TSPDF11FGRA004	2-1571990-9
	TSPDF11FGPC004	2-1571990-8
	TSPDF11CGVRA004	2-1571990-7
OBSOLETE	TSPDF11CGSRA004	2-1571990-6
	TSPDF11CGRA004	2-1571990-5
OBSOLETE	TSPDF11CGSRAB0TR04	2-1571990-4
PRELIMINARY	TSPDF11CGSRA0TR04	2-1571990-3
	TSPDF11CGPC004	2-1571990-2
	TSPD11FGVRA004	2-1571990-1
OBSOLETE	TSPD11FGSRAB004	2-1571990-0
	TSPD11FGSRA004	1-1571990-9
	TSPD11FGSPC004	1-1571990-8
	TSPD11FGRA004	1-1571990-7
	TSPD11FGPCV004	1-1571990-6
	TSPD11FGPC004	1-1571990-5
	TSPD11CGWW004	1-1571990-4
	TSPD11CGVRA004	1-1571990-3
	TSPD11CGSRAB004	1-1571990-2
	TSPD11CGSRA204	1-1571990-1
	TSPD11CGSRA0TR04	1-1571990-0
	available	1571990-6
	TSPD11CGRA204	1571990-5
	TSPD11CGRA004	1571990-4
OBSOLETE	TSPD11CGPCV004	1571990-3
	TSPD11CGPC204	1571990-2
	TSPD11CGPC004	1571990-1
	Alco P/N	P/N

SUPERSEDED BY 1-1437573-9

THIS DRAWING IS A CONTROLLED DOCUMENT.		DWN M.BINNER 01MAR05	 TE Connectivity	
DIMENSIONS: INCHES		CHK M.ZITTO 01MAR05		
TOLERANCES UNLESS OTHERWISE SPECIFIED:		APVD M.ZITTO 01MAR05	NAME SEALED PUSHBUTTON SWITCH SINGLE POLE, TSP SERIES, ROHS COMPLIANT	
 0 PLC ± - 1 PLC ± - 2 PLC ± - 3 PLC ± .010 4 PLC ± - ANGLES ± 1°		PRODUCT SPEC -	SIZE A2	
MATERIAL -		APPLICATION SPEC -	CAGE CODE 00779	DRAWING NO 1571990
FINISH -		WEIGHT -	RESTRICTED TO -	SCALE 1:1
CUSTOMER DRAWING			SHEET 4 of 4	REV A2

Данный компонент на территории Российской Федерации

Вы можете приобрести в компании MosChip.

Для оперативного оформления запроса Вам необходимо перейти по данной ссылке:

<http://moschip.ru/get-element>

Вы можете разместить у нас заказ для любого Вашего проекта, будь то серийное производство или разработка единичного прибора.

В нашем ассортименте представлены ведущие мировые производители активных и пассивных электронных компонентов.

Нашей специализацией является поставка электронной компонентной базы двойного назначения, продукции таких производителей как XILINX, Intel (ex.ALTERA), Vicor, Microchip, Texas Instruments, Analog Devices, Mini-Circuits, Amphenol, Glenair.

Сотрудничество с глобальными дистрибьюторами электронных компонентов, предоставляет возможность заказывать и получать с международных складов практически любой перечень компонентов в оптимальные для Вас сроки.

На всех этапах разработки и производства наши партнеры могут получить квалифицированную поддержку опытных инженеров.

Система менеджмента качества компании отвечает требованиям в соответствии с ГОСТ Р ИСО 9001, ГОСТ РВ 0015-002 и ЭС РД 009

Офис по работе с юридическими лицами:

105318, г.Москва, ул.Щербаковская д.3, офис 1107, 1118, ДЦ «Щербаковский»

Телефон: +7 495 668-12-70 (многоканальный)

Факс: +7 495 668-12-70 (доб.304)

E-mail: info@moschip.ru

Skype отдела продаж:

moschip.ru

moschip.ru_4

moschip.ru_6

moschip.ru_9