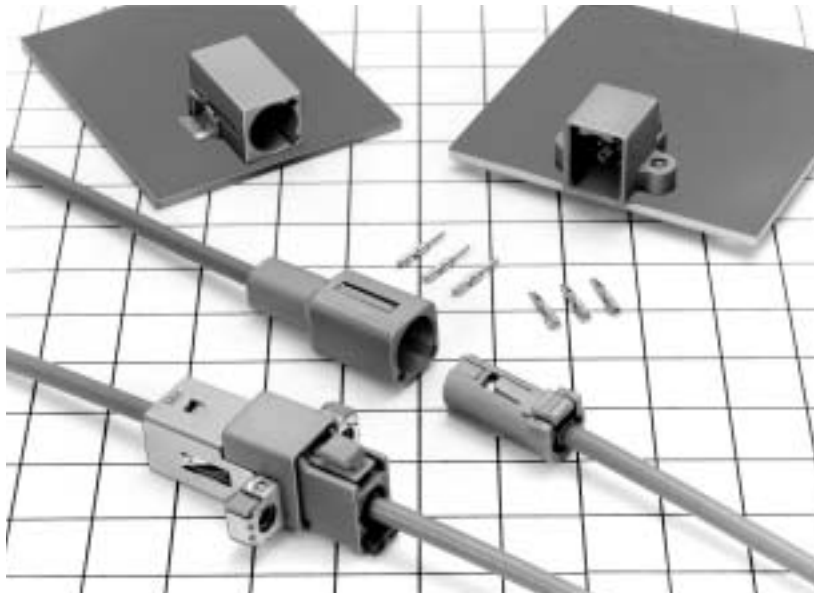


GT16 Series

— Subminiature Connectors for coaxial cables —

<Several types and configurations: In-line, board mounted, combinations of coaxial cable with signal/power. Multi-position and color/ keying variations.>



■ Features

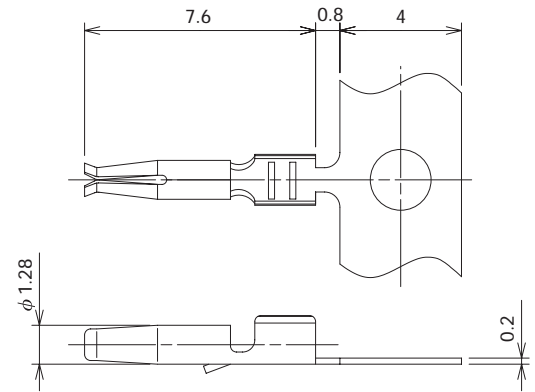
- **Cost efficient termination**
Highly efficient and reliable single motion "Twin crimp™" termination allows high volume production with semi-automatic equipment.
- **Space-saving Design**
- **Lock-release latching system**
- **Shock / vibration resistant electrical connections**
- **Verification of the full contact insertion**
- **Excellent High Frequency Performance**
Refer to V.S.W.R. data on the following pages.

■ Applications

In-car communication, car sensors (temperature, pressure), automotive audio systems, GPS antenna systems, RACS antenna audio/video antenna systems, CRT displays, medical and measuring instrumentation, variety of communication equipment, office automation equipment, LAN systems.

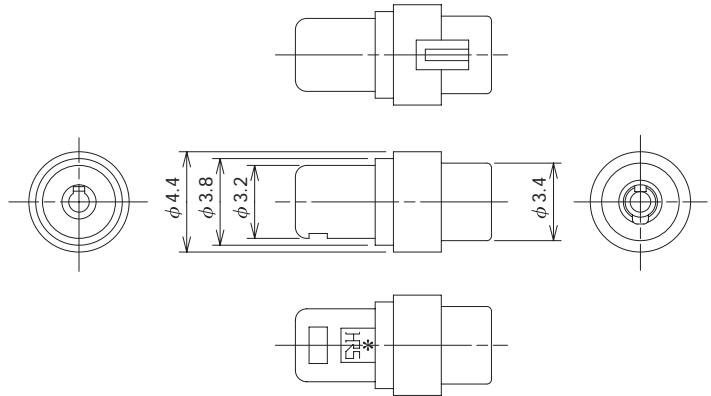
F Connectors (Common Use)

● Inner terminal



Part Number	CL No.	Conductor Size (AWG)	Material	Finish	Packaging
GT16-2428SCF	766-0001-2	AWG#24-28	Phosphor bronze	Tin plating	10,000 pieces per reel

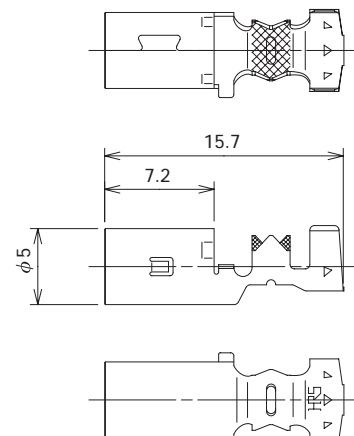
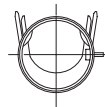
● Insulator (Common Use)



Part Number	CL No.	Material	Finish	Packaging
GT16-SC	766-0002-5	PBT	White	1

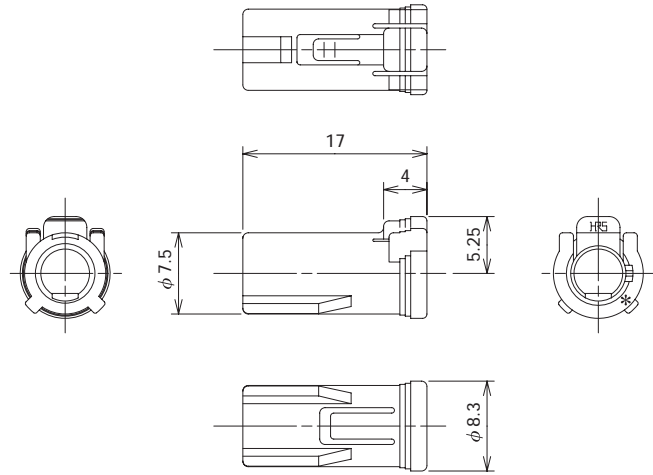
After Market

● Outer terminal



Part Number	CL No.	Applicable Cable	Material	Finish	Packaging
GT16-/1.6-2.9SC	766-0003-8	1.5D-2V or equivalent	Phosphor bronze	Tin plating	1

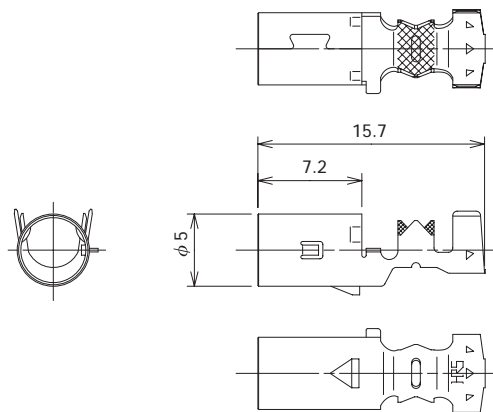
● Housing



Part Number	CL No.	Material	Finish	Packaging
GT16-1S-HU	766-0004-0	PBT	Light gray	1

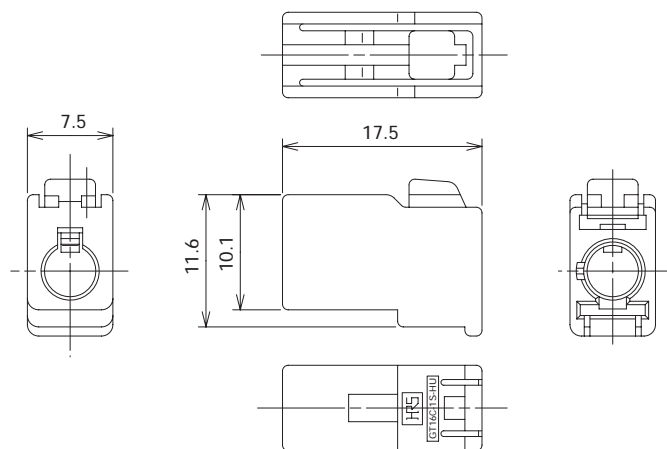
■ Genuine Market

● Outer terminal (Retainer Stopper Specification)



Part Number	CL No.	Applicable Cable	Material	Finish	Packaging
GT16C-1/1.6-2.9SC	766-0012-9	1.5D-2V or equivalent	Phosphor bronze	Tin plating	1

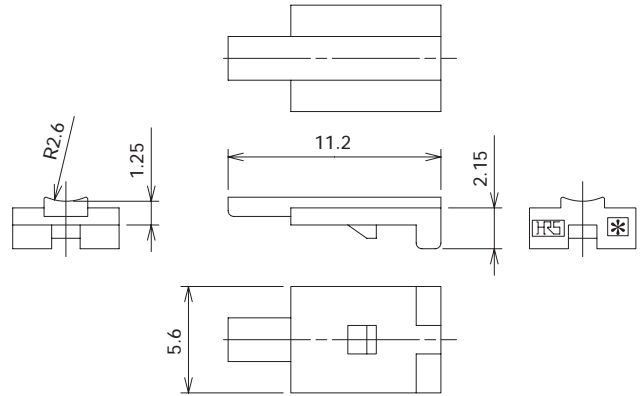
● Housing (Retainer Stopper Specification)



Part Number	CL No.	Material	Finish	Packaging
GT16C-1S-HU	766-0010-3	PBT	Light gray	1

Note: This product is used in conjunction with retainer GT16C-1P/S-R (CL766-0011-6) which is a separate item.

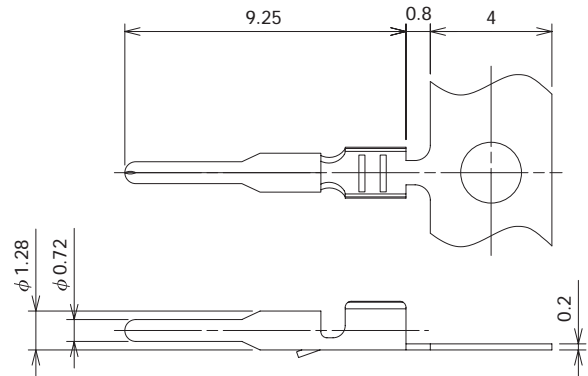
● Retainer



Part Number	CL No.	Material	Finish	Packaging
GT16C-1P/S-R	766-0011-6	PBT	Dark Gray	1

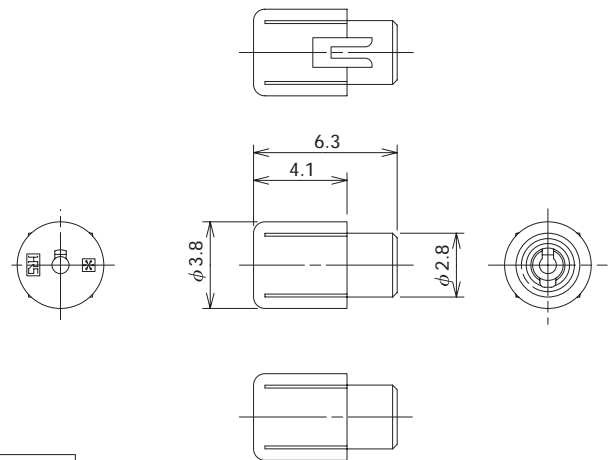
■ M Connectors (Common Use)

● Inner Terminals



Part Number	CL No.	Conductor Size	Material	Finish	Packaging
GT16-2428PCF	766-0006-6	AWG#24-28	Brass	Tin plating	10,000 pcs. per reel
GT16-30PCF	766-0015-7	AWG#30	Brass	Tin plating	10,000 pcs. per reel

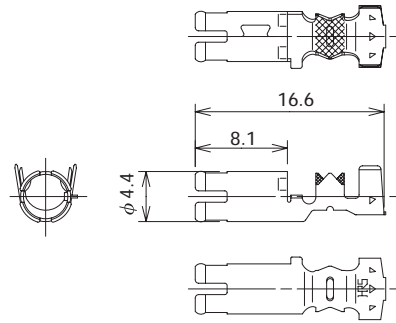
● Insulator (Common Use)



Part Number	CL No.	Material	Finish	Packaging
GT16-PC	766-0007-9	PBT	White	1

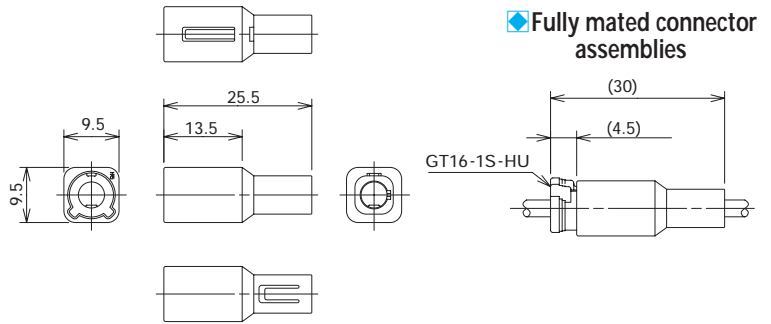
After Market

Outer terminals



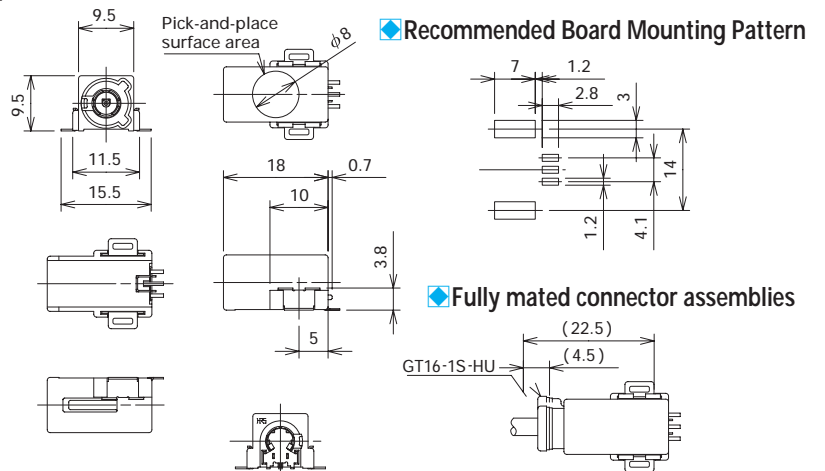
Part Number	CL No.	Applicable Cable	Material	Finish	Packaging
GT16-/1.6-2.9PC	766-0008-1	1.5D-2V or equivalent	Phosphor bronze	Tin plating	1
GT16-/0.7-1.5PC	766-0016-0	0.8D-2V or equivalent	Phosphor bronze	Tin plating	1

Housing

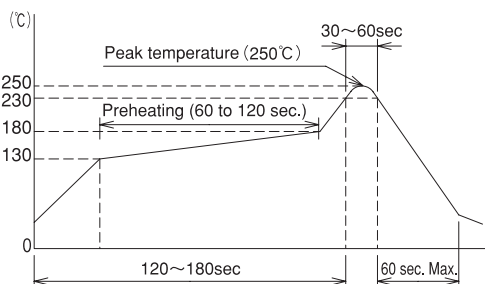


Part Number	CL No.	Material	Finish	Packaging
GT16-1P-HU	766-0009-4	PBT	Light gray	1

Printed Circuit Board Type (SMT Type)



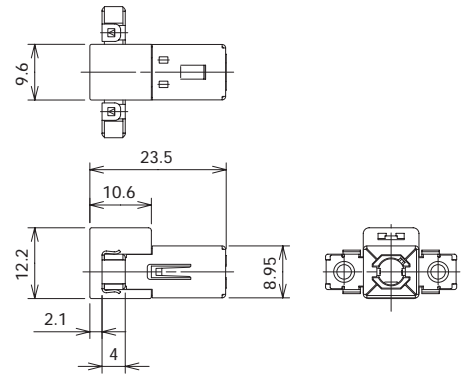
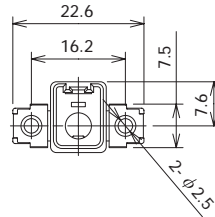
Recommended Reflow Temperature Profile



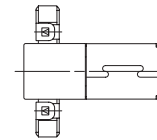
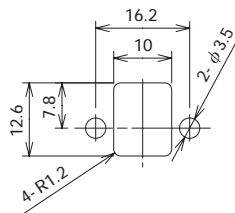
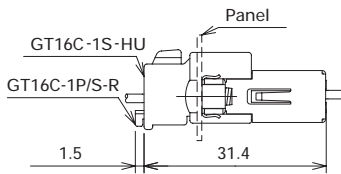
Part Number	CL No.	Material	Finish	Packaging
GT16-1P-H	766-0005-3	PPS(Housing)	Color: Light gray	1
		Phosphor bronze (Terminal)	Tin plating	
		Phosphor bronze (Terminal)	Tin plating	
		PPS (Insulator)	Color: Natural	
		Phosphor bronze (Shield plate)	Tin plating	
		Brass (Metal fitting)	Tin plating	

■ Genuine Market

● Panel Mounting Type



◆ Fully mated connector assemblies ◆ Recommended Panel Cut-out

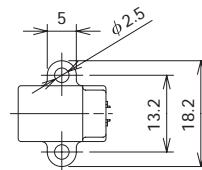


Part Number	CL No.	Material	Finish	Packaging
GT16CB-1PP-HU	766-0017-2	PBT (Housing)	Color: Light gray	1
		Copper alloy (Ground terminal)	Tin plating	1

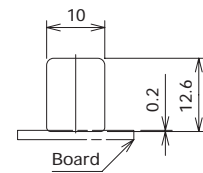
Note 1: Use mounting screws of M3 with nominal diameter 3L-6.

Note 2: Please use GT16- ** PC type Outer terminals for insertion into this product.

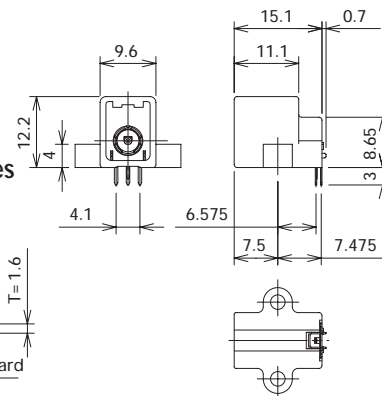
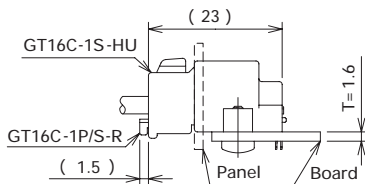
● Printed Circuit Board Type (Reinforced Lock and Screw Fastening Type)



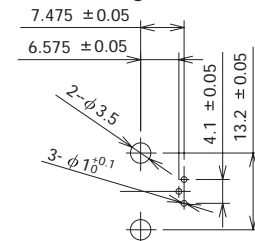
◆ Recommended Panel Cut-out



◆ Fully mated connector assemblies



◆ Recommended Board Mounting Pattern

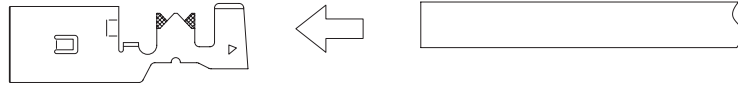


Part Number	CL No.	Material	Finish	Packaging
GT16C-1P-DS	766-0013-1	PPS(Housing)	Color: Light gray	1
		Phosphor bronze (Terminal)	Tin plating	
		Phosphor bronze (Terminal)	Tin plating	
		PPS (Insulator)	Color: Natural	
		Phosphor bronze (Shield plate)	Tin plating	

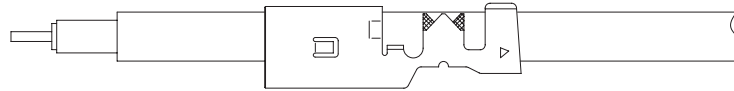
Note 1: Use mounting screws of M3 with nominal diameter 3L-6.

◆ Termination sequence

1. Pass the cable through the outside tube.



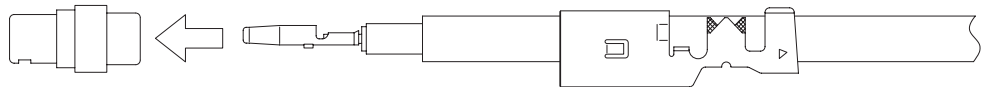
2. Strip the cable.



3. Crimp the center terminal.



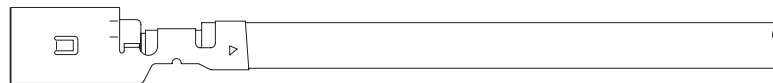
4. Insert the crimped terminal into the Insulator seat.



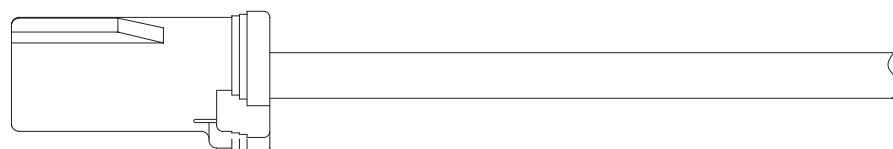
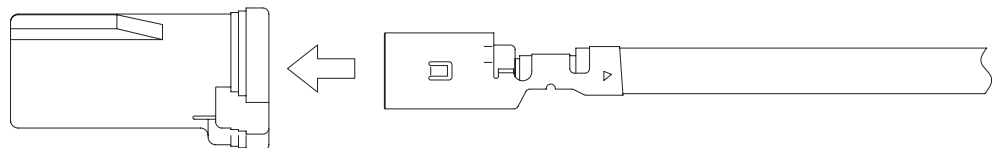
5. Insert the Insulator seat into the outside tube.



6. Crimp the outside tube.



7. Insert the terminal into the housing.



Completion

◆ F Connector Components Table

Inner Terminal	Insulator	Outer terminal	Housing	Retainer
GT16-2428SCF	GT16-SC	GT16-/1.6-2.9SC	GT16-1S-HU	—
		GT16C-/1.6-2.9SC	GT16C-1S-HU	GT16C-1P/S-R

◆ Mating Table

F Connectors	M Connectors
GT16-1S-HU	GT16-1P-HU
	GT16-1P-H
GT16C-1S-HU	GT16CB-1PP-HU
	GT16C-1P-DS

◆ M Connector Components Table

Inner Terminal	Insulator	Outer terminal	Housing	Retainer
GT16-2428PCF	GT16-PC	GT16-/1.6-2.9PC	GT16-1P-HU	—
GT16-30PCF		GT16-/0.7-1.5PC	GT16CB-1PP-HU	—

Printed Circuit Board Type
GT16-1P-H
GT16C-1P-DS

◆ Tools

User's manuals are available. Please ask your Hirose Electric account representative.

Automatic Crimping Machine



Part Number CM-105

Specifications

Item	Specification	Remarks
Specification	1.5ton	
Stroke Length	30mm	
Number of strokes	200spm (50Hz)	240spm (60Hz)
Weight	75kg	
Motor	0.2kW	AC100V
Crimping speed	2,000 ~ 4,000/H	

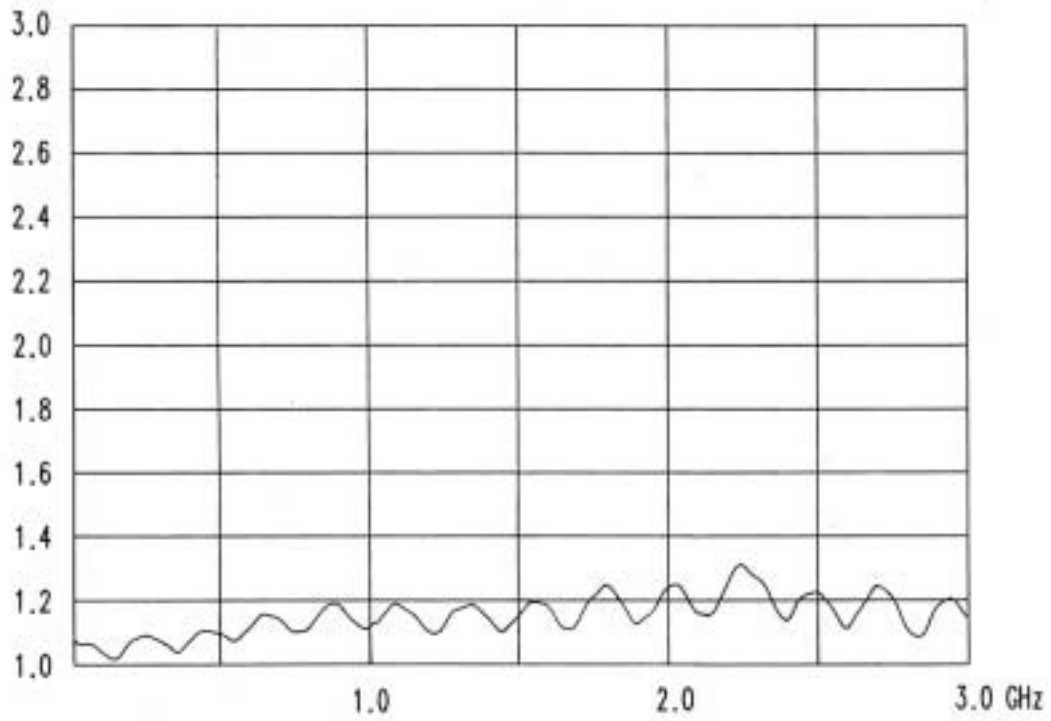


Hand Press

* Crimp height setting tables are available for each cable type. Please contact your nearest Hirose Electric account representative. Different cables will require different crimp height settings.

◆ Test Data (Using 1.5D-2W Type cable)

High Frequency Characteristics (V.S.W.R.)



Typical data using fully assembled and connected GT16-1P-HU and the GT5-1S-HU.

Данный компонент на территории Российской Федерации

Вы можете приобрести в компании MosChip.

Для оперативного оформления запроса Вам необходимо перейти по данной ссылке:

<http://moschip.ru/get-element>

Вы можете разместить у нас заказ для любого Вашего проекта, будь то серийное производство или разработка единичного прибора.

В нашем ассортименте представлены ведущие мировые производители активных и пассивных электронных компонентов.

Нашей специализацией является поставка электронной компонентной базы двойного назначения, продукции таких производителей как XILINX, Intel (ex.ALTERA), Vicor, Microchip, Texas Instruments, Analog Devices, Mini-Circuits, Amphenol, Glenair.

Сотрудничество с глобальными дистрибьюторами электронных компонентов, предоставляет возможность заказывать и получать с международных складов практически любой перечень компонентов в оптимальные для Вас сроки.

На всех этапах разработки и производства наши партнеры могут получить квалифицированную поддержку опытных инженеров.

Система менеджмента качества компании отвечает требованиям в соответствии с ГОСТ Р ИСО 9001, ГОСТ РВ 0015-002 и ЭС РД 009

Офис по работе с юридическими лицами:

105318, г.Москва, ул.Щербаковская д.3, офис 1107, 1118, ДЦ «Щербаковский»

Телефон: +7 495 668-12-70 (многоканальный)

Факс: +7 495 668-12-70 (доб.304)

E-mail: info@moschip.ru

Skype отдела продаж:

moschip.ru

moschip.ru_4

moschip.ru_6

moschip.ru_9