

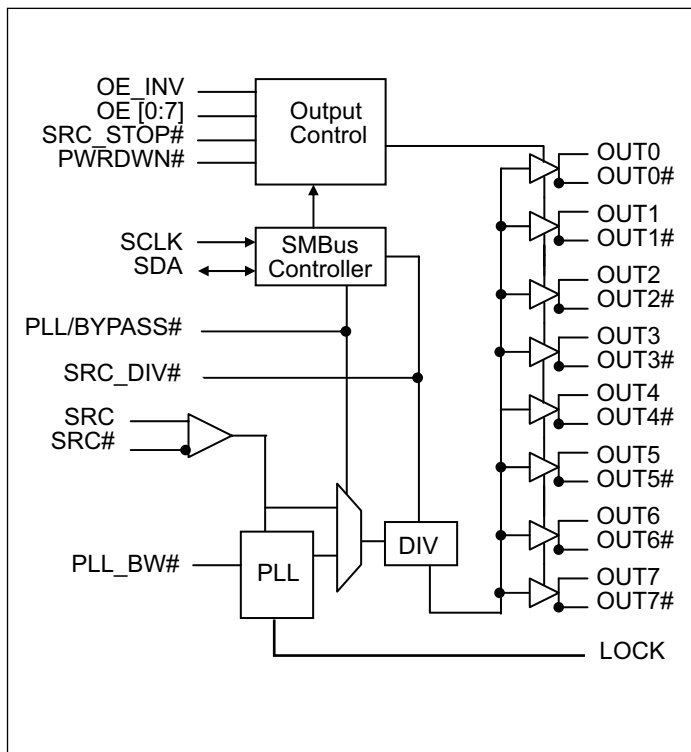
Features

- Phase jitter filter for PCIe 3.0 application
- Eight Pairs of Differential Clocks
- Low skew < 50ps (PI6C20800B), <60ps (PI6C20800BI)
- Low Cycle-to-cycle jitter < 60ps
- Output Enable for all outputs
- Outputs Tristate control via SMBus
- Power Management Control
- Programmable PLL Bandwidth
- PLL or Fanout operation
- 3.3V Operation
- Industrial Temperature Option - PI6C20800BI
- Packaging (Pb-Free & Green):
 - 48-Pin TSSOP (A)

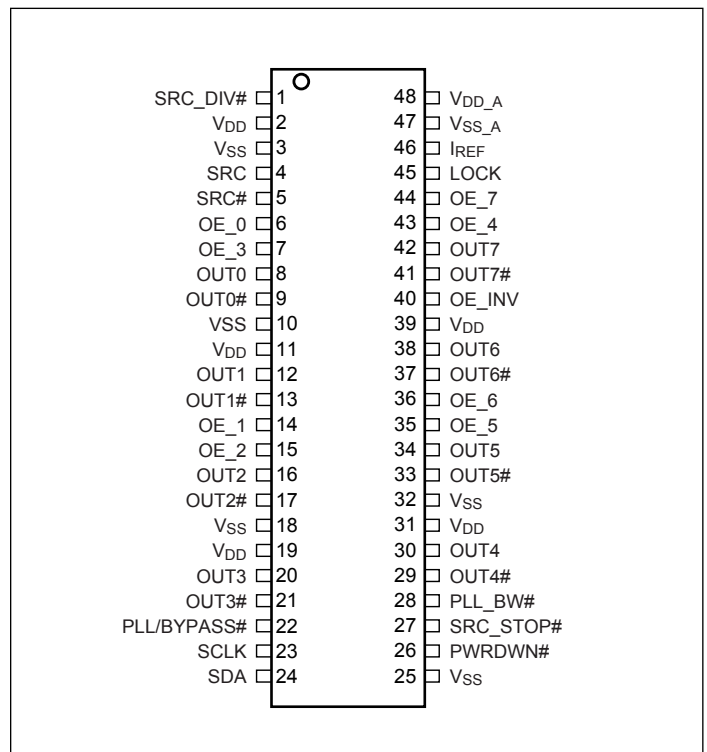
Description

PI6C20800B is a PCIe 3.0 compliant, high-speed, low-noise differential clock buffer designed to be a companion to PCI Express 3.0 clock generator for Intel server chipsets. The device distributes the differential SRC clock from PCIe clock generator to eight differential pairs of clock outputs either with or without PLL. The input SRC clock can be divided by 2 when SRC_DIV# is LOW. The clock outputs are controlled by input selection of SRC_STOP#, PWRDWN# and SMBus, SCLK and SDA. When input of either SRC_STOP# or PWRDWN# is LOW, the output clocks are Tristated. When PWRDWN# is LOW, the SDA and SCLK inputs must be Tristated.

Block Diagram



Pin Configuration (48-Pin TSSOP)



Pinout Table

| Pin Name | Type | Pin # | Descriptions |
|----------------------|--------|---|---|
| SRC_DIV# | Input | 1 | 3.3V LVTTL input for selecting input frequency divide by 2, active LOW. |
| SRC & SRC# | Input | 4, 5 | 0.7V Differential SRC input from PI6C410 clock synthesizer |
| OE [0:7] | Input | 6, 7, 14, 15, 35, 36, 43, 44 | 3.3V LVTTL input for enabling outputs, active HIGH. |
| OE_INV | Input | 40 | 3.3V LVTTL input for inverting the OE, SRC_STOP# and PWRDWN# pins. When 0 = same stage When 1 = OE[0:7], SRC_STOP#, PWRDWN# inverted. |
| OUT[0:7] & OUT[0:7]# | Output | 8, 9, 12, 13, 16 17, 20, 21, 29, 30, 33, 34, 37, 38, 41, 42 | 0.7V Differential outputs |
| PLL/BYPASS# | Input | 22 | 3.3V LVTTL input for selecting fan-out of PLL operation. |
| SCLK | Input | 23 | SMBus compatible SCLOCK input |
| SDA | I/O | 24 | SMBus compatible SDATA |
| I _{REF} | Input | 46 | External resistor connection to set the differential output current |
| SRC_STOP# | Input | 27 | 3.3V LVTTL input for SRC stop, active LOW |
| PLL_BW# | Input | 28 | 3.3V LVTTL input for selecting the PLL bandwidth |
| PWRDWN# | Input | 26 | 3.3V LVTTL input for Power Down operation, active LOW |
| LOCK | Output | 45 | 3.3V LVTTL output, transition high when PLL lock is achieved (Latched output) |
| V _{DD} | Power | 2, 11, 19, 31, 39 | 3.3V Power Supply for Outputs |
| V _{SS} | Ground | 3, 10, 18, 25, 32 | Ground for Outputs |
| V _{SS_A} | Ground | 47 | Ground for PLL |
| V _{DD_A} | Power | 48 | 3.3V Power Supply for PLL |

Serial Data Interface (SMBus)

This part is a slave only SMBus device that supports indexed block read and indexed block write protocol using a single 7-bit address and read/write bit as shown below.

Address assignment

| A6 | A5 | A4 | A3 | A2 | A1 | A0 | W/R |
|----|----|----|----|----|----|----|-----|
| 1 | 1 | 0 | 1 | 1 | 1 | 0 | 0/1 |

Data Write Protocol(1)

| 1 bit | 7 bits | 1 | 1 | 8 bits | 1 | 8 bits | 1 | 8 bits | 1 | 8 bits | 1 | 1 bit |
|-----------|------------|---|-----|-----------------|-----|----------------|-----|------------------|-----|-----------------|-----|----------|
| Start bit | Slave Addr | W | Ack | Register offset | Ack | Byte Count = N | Ack | Data Byte Offset | Ack | Data Byte N - 1 | Ack | Stop bit |

Note:

1. Register offset for indicating the starting register for indexed block write and indexed block read. Byte Count in write mode cannot be 0.

Data Read Protocol(2)

| | | | | | | | | | | | | | | | | |
|-----------|------------|---|-----|-----------------|-----|--------------|------------|---|-----|----------------|-----|------------------|-----|-----------------|---------|----------|
| 1 bit | 7 bits | 1 | 1 | 8 bits | 1 | 1 | 7 bits | 1 | 1 | 8 bits | 1 | 8 bits | 1 | 8 bits | 1 | 1 bit |
| Start bit | Slave Addr | W | Ack | Register offset | Ack | Repeat Start | Slave Addr | R | Ack | Byte Count = N | Ack | Data Byte Offset | Ack | Data Byte N - 1 | Not Ack | Stop bit |

Note:

1. Register offset for indicating the starting register for indexed block write and indexed block read.

Data Byte 0: Control Register

| Bit | Descriptions | Type | Power Up Condition | Output(s) Affected | Pin |
|-----|---|------|-------------------------|---------------------|-----|
| 0 | SRC_DIV# 0 = Divide by 2 1 = Normal | RW | 1 = x1 | OUT[0:7], OUT[0:7]# | NA |
| 1 | PLL/BYPASS# 0 = Fanout 1 = PLL | RW | 1 = PLL | OUT[0:7], OUT[0:7]# | NA |
| 2 | PLL Bandwidth 0 = HIGH Bandwidth, 1 = LOW Bandwidth | RW | 1 = Low | OUT[0:7], OUT[0:7]# | NA |
| 3 | RESERVED | | | | |
| 4 | RESERVED | | | | |
| 5 | RESERVED | | | | |
| 6 | SRC_STOP# 0 = Driven when stopped 1 = Tristate | RW | 0 = Driven when stopped | OUT[0:7], OUT[0:7]# | |
| 7 | PWRDWN# 0 = Driven when stopped 1 = Tristate | RW | 0 = Driven when stopped | OUT[0:7], OUT[0:7]# | NA |

Data Byte 1: Control Register

| Bit | Descriptions | Type | Power Up Condition | Output(s) Affected | Pin |
|-----|--|------|--------------------|--------------------|-----|
| 0 | OUTPUTS enable 1 = Enabled 0 = Disabled | RW | 1 = Enabled | OUT0, OUT0# | NA |
| 1 | | RW | 1 = Enabled | OUT1, OUT1# | NA |
| 2 | | RW | 1 = Enabled | OUT2, OUT2# | NA |
| 3 | | RW | 1 = Enabled | OUT3, OUT3# | NA |
| 4 | | RW | 1 = Enabled | OUT4, OUT4# | NA |
| 5 | | RW | 1 = Enabled | OUT5, OUT5# | NA |
| 6 | | RW | 1 = Enabled | OUT6, OUT6# | NA |
| 7 | | RW | 1 = Enabled | OUT7, OUT7# | NA |

Data Byte 2: Control Register

| Bit | Descriptions | Type | Power Up Condition | Output(s) Affected | Pin |
|-----|---|------|--------------------|--------------------|-----|
| 0 | Allow control of OUTPUTS with assertion of SRC_STOP# 0 = Free running 1 = Stopped with SRC_Stop# | RW | 0 = Free running | OUT0, OUT0# | NA |
| 1 | | RW | 0 = Free running | OUT1, OUT1# | NA |
| 2 | | RW | 0 = Free running | OUT2, OUT2# | NA |
| 3 | | RW | 0 = Free running | OUT3, OUT3# | NA |
| 4 | | RW | 0 = Free running | OUT4, OUT4# | NA |
| 5 | | RW | 0 = Free running | OUT5, OUT5# | NA |
| 6 | | RW | 0 = Free running | OUT6, OUT6# | NA |
| 7 | | RW | 0 = Free running | OUT7, OUT7# | NA |

Data Byte 3: Control Register

| Bit | Descriptions | Type | Power Up Condition | Output(s) Affected | Pin |
|-----|--------------|------|--------------------|--------------------|-----|
| 0 | RESERVED | RW | | | |
| 1 | | RW | | | |
| 2 | | RW | | | |
| 3 | | RW | | | |
| 4 | | RW | | | |
| 5 | | RW | | | |
| 6 | | RW | | | |
| 7 | | RW | | | |

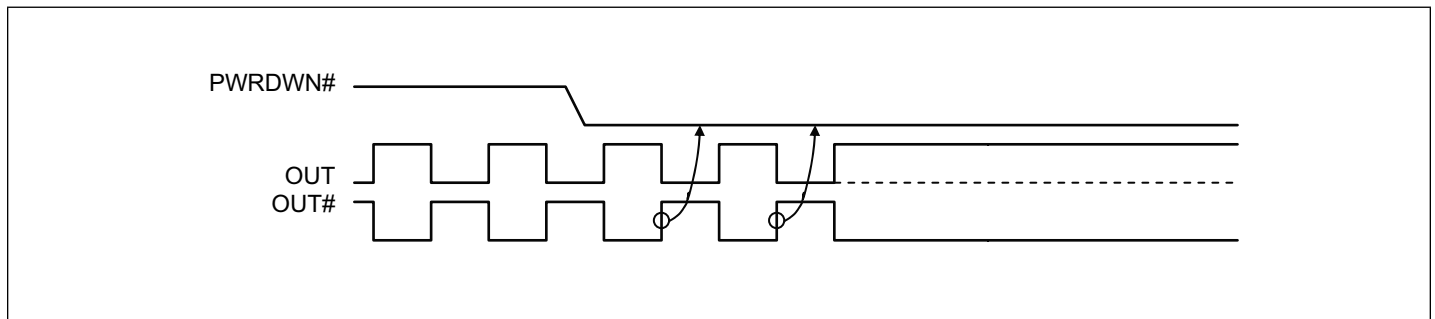
Data Byte 4: Pericom ID Register

| Bit | Descriptions | Type | Power Up Condition | Output(s) Affected | Pin |
|-----|--------------|------|--------------------|--------------------|-----|
| 0 | Pericom ID | R | 0 | NA | NA |
| 1 | | R | 0 | NA | NA |
| 2 | | R | 0 | NA | NA |
| 3 | | R | 0 | NA | NA |
| 4 | | R | 0 | NA | NA |
| 5 | | R | 1 | NA | NA |
| 6 | | R | 0 | NA | NA |
| 7 | | R | 0 | NA | NA |

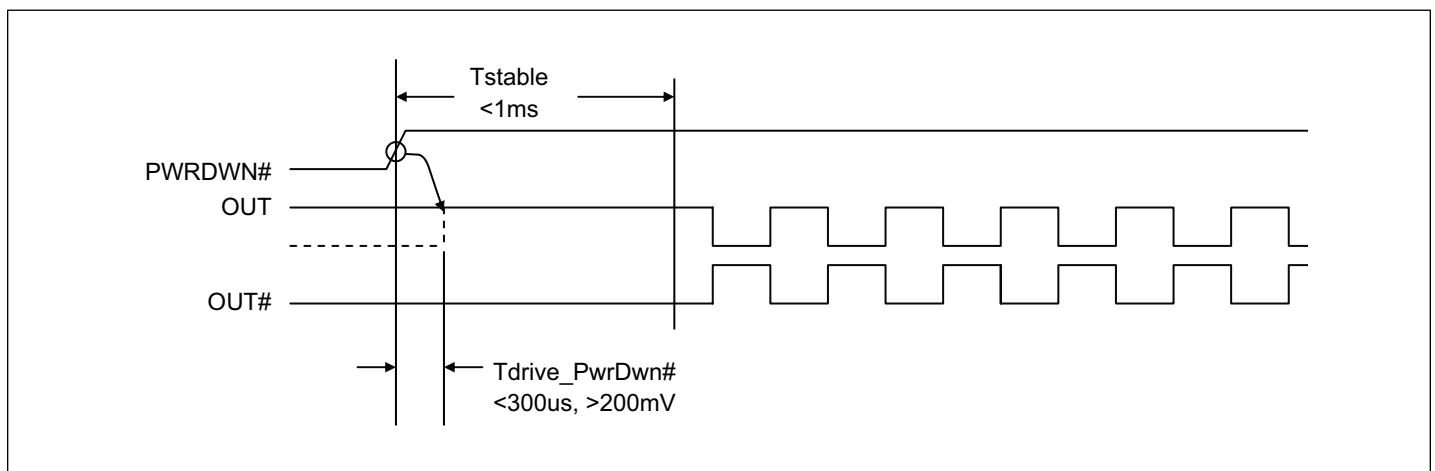
Functionality

| PWRDWN# | OUT | OUT# | SRC_Stop# | OUT | OUT# |
|---------|-----------------------------|--------|-----------|-----------------------------|--------|
| 1 | Normal | Normal | 1 | Normal | Normal |
| 0 | $I_{REF} \times 2$ or Float | LOW | 0 | $I_{REF} \times 6$ or Float | LOW |

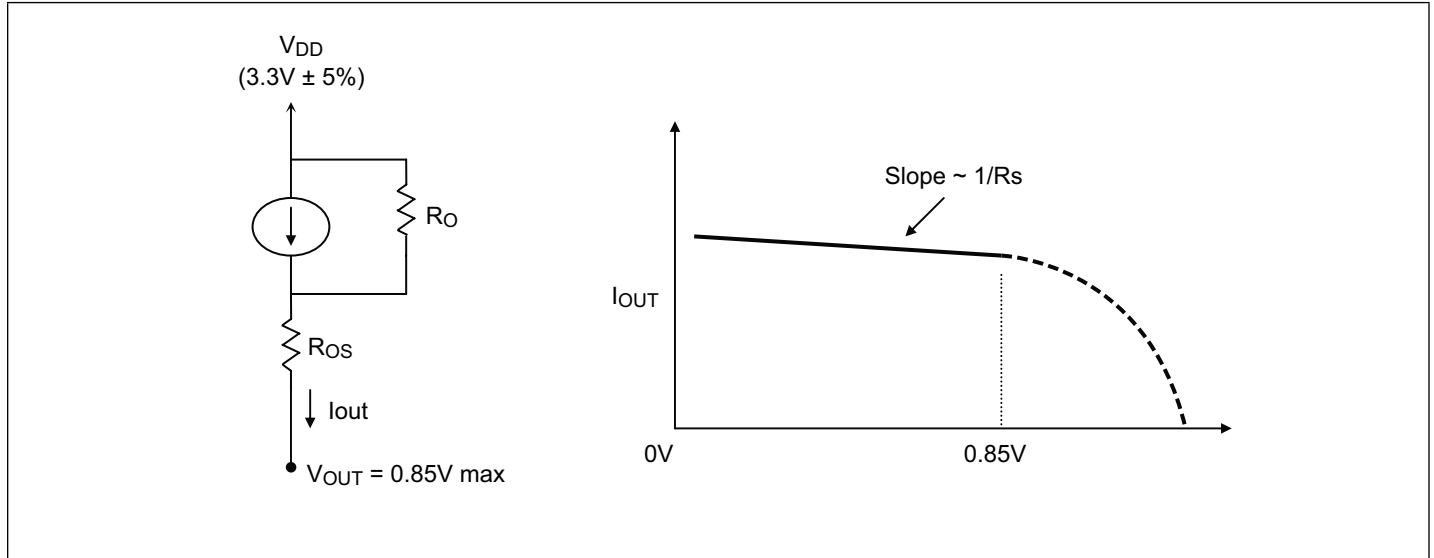
Power Down (PWRDWN# assertion)



Power Down (PWRDWN# De-assertion)



Current-mode output buffer characteristics of OUT[0:7], OUT[0:7]#



Differential Clock Buffer Characteristics

| Symbol | Minimum | Maximum |
|-----------|-------------|-------------|
| R_O | 3000Ω | N/A |
| R_{OS} | unspecified | unspecified |
| V_{OUT} | N/A | 850mV |

Current Accuracy

| Symbol | Conditions | Configuration | Load | Min. | Max. |
|-----------|-------------------------|--|---|--------------------|--------------------|
| I_{OUT} | $V_{DD} = 3.30 \pm 5\%$ | $R_{REF} = 475\Omega$ 1% $I_{REF} = 2.32mA$ | Nominal test load for given configuration | -12% $I_{NOMINAL}$ | +12% $I_{NOMINAL}$ |

Note:

- $I_{NOMINAL}$ refers to the expected current based on the configuration of the device.

Differential Clock Output Current

| Board Target Trace/Term Z | Reference R, $I_{ref} = V_{DD}/(3xRr)$ | Output Current | $V_{OH} @ Z$ |
|--|---|-----------------------------|--------------|
| 100Ω (100Ω differential ≈ 15% coupling ratio) | $R_{REF} = 475\Omega$ 1%, $I_{REF} = 2.32mA$ | $I_{OH} = 6 \times I_{REF}$ | 0.7V @ 50 |

Absolute Maximum Ratings⁽¹⁾ (Over operating free-air temperature range)

| Symbol | Parameters | Min. | Max. | Units |
|-------------------|--------------------------|------|------|-------|
| V _{DD_A} | 3.3V Core Supply Voltage | -0.5 | 4.6 | V |
| V _{DD} | 3.3V I/O Supply Voltage | -0.5 | 4.6 | |
| V _{IH} | Input HIGH Voltage | | 4.6 | |
| V _{IL} | Input LOW Voltage | -0.5 | | |
| T _s | Storage Temperature | -65 | 150 | °C |
| V _{ESD} | ESD Protection | 2000 | | V |

Note:

1. Stress beyond those listed under “Absolute Maximum Ratings” may cause permanent damage to the device.

DC Electrical Characteristics (V_{DD} = 3.3±5%, V_{DD_A} = 3.3±5%)

| Symbol | Parameters | Condition | Min. | Max. | Units |
|-------------------|-----------------------------|---|-----------------------|-----------------------|-------|
| V _{DD_A} | 3.3V Core Supply Voltage | | 3.135 | 3.465 | V |
| V _{DD} | 3.3V I/O Supply Voltage | | 3.135 | 3.465 | |
| V _{IH} | 3.3V Input HIGH Voltage | | 2.0 | V _{DD} + 0.3 | |
| V _{IL} | 3.3V Input LOW Voltage | | V _{SS} - 0.3 | 0.8 | |
| I _{IK} | Input Leakage Current | 0 < V _{IN} < V _{DD} | -5 | +5 | µA |
| V _{OH} | 3.3V Output HIGH Voltage | I _{OH} = -1mA | 2.4 | | V |
| V _{OL} | 3.3V Output LOW Voltage | I _{OL} = 1mA | | 0.4 | |
| I _{OH} | Output HIGH Current | I _{OH} = 6 x I _{REF} I _{REF} = 2.32mA | 12.2 | 15.6 | mA |
| C _{IN} | Logic Input Pin Capacitance | | 1.5 | 5 | |
| C _{OUT} | Output Pin Capacitance | | | 6 | pF |
| L _{PIN} | Pin Inductance | | | 7 | nH |
| I _{DD} | Power Supply Current | V _{DD} = 3.465V, F _{CPU} = 100MHz | | 250 | mA |
| I _{SS} | Power Down Current | Driven outputs | | 80 | |
| I _{SS} | Power Down Current | Tristate outputs | | 12 | |
| T _A | Ambient Temperature | Commercial (PI6C20800B) | 0 | 70 | °C |
| | | Industrial (PI6C20800BI) | -40 | 85 | |

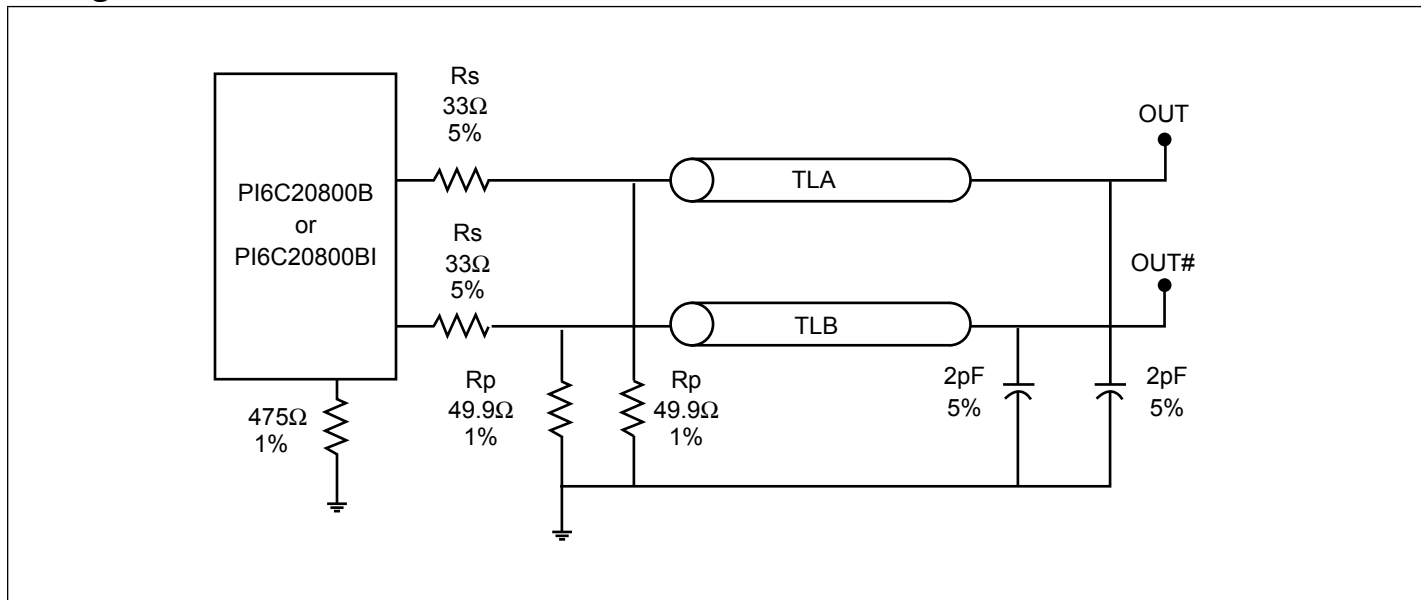
AC Switching Characteristics^(1,2,3) ($V_{DD} = 3.3 \pm 5\%$, $V_{DD,A} = 3.3 \pm 5\%$)

| Symbol | Parameters | | Min | Typ. | Max. | Units | Notes | |
|-------------------------------------|--|---------------------------------------|-------------|-------|------|-------|-------|--|
| F_{in} | SRC/SRC# Input Frequency PLL Mode | | 95 | | 105 | MHz | 6 | |
| | SRC/SRC# Input Frequency Bypass Mode | | 95 | | 400 | MHz | 6 | |
| T_{rise} / T_{fall} | Rise and Fall Time (measured between 0.175V to 0.525V) | | 175 | | 700 | ps | 2 | |
| $\Delta T_{rise} / \Delta T_{fall}$ | Rise and Fall Time Variation | | | | 125 | | 2 | |
| T_{pd} | Input to Output Propagation Delay | PLL Mode | PI6C20800B | -250 | | 250 | ps | |
| | | | PI6C20800BI | -450 | | 450 | | |
| | | Bypass Mode | PI6C20800B | -7.5 | | 7.5 | ns | |
| | | | PI6C20800BI | -8 | | 8 | | |
| T_{skew} | Output-to-Output Skew (PI6C20800B) | | | | 50 | ps | 3 | |
| | Output-to-Output Skew (PI6C20800BI) | | | | 65 | | 3 | |
| V_{HIGH} | Voltage HIGH (Measured at 100MHz @ 3.3V) | | 600 | | 900 | mV | 2 | |
| V_{OVS} | Max. Voltage | | | | 1150 | | | |
| V_{UDS} | Min. Voltage | | -300 | | | | | |
| V_{LOW} | Voltage LOW | | -150 | | +150 | | 2 | |
| V_{cross} | Absolute crossing poing voltages | | 250 | | 550 | | 2 | |
| ΔV_{cross} | Total Variation of V_{cross} over all edges | | | | 140 | | 2 | |
| T_{DC} | Duty Cycle (Measured at 100 MHz) | | 45 | | 55 | % | 3 | |
| $T_{jyc-cyc}$ | Jitter, Cycle-to-cycle (PLL Mode, Measurement for differential waveform) | | | | 60 | ps | 4 | |
| | Jitter, Cycle-to-cycle (BYPASS mode as additive jitter) | | | | | | | |
| J_{add} | Additive RMS phase jitter for PCIe 2.0 | | <0 | | 1 | ps | 5 | |
| J_{add} | RMS phase jitter for PCIe 3.0 | PLL L-BW @ 2M & 5M 1 st H3 | | 1.115 | 3 | ps | | |
| | | PLL L-BW @ 2M & 4M 1 st H3 | | 1.211 | 3 | | | |
| | | PLL L-BW @ 2M & 5M 1 st H3 | | 1.116 | 3 | | | |
| | | PLL L-BW @ 2M & 4M 1 st H3 | | 1.425 | 3 | | | |
| | | PLL H-BW @ 2M & 5M 1 st H3 | | 0.646 | 1 | | | |
| | | PLL H-BW @ 2M & 4M 1 st H3 | | 0.644 | 1 | | | |
| | | PLL H-BW @ 2M & 5M 1 st H3 | | 0.646 | 1 | | | |
| | | PLL H-BW @ 2M & 4M 1 st H3 | | 0.579 | 1 | | | |

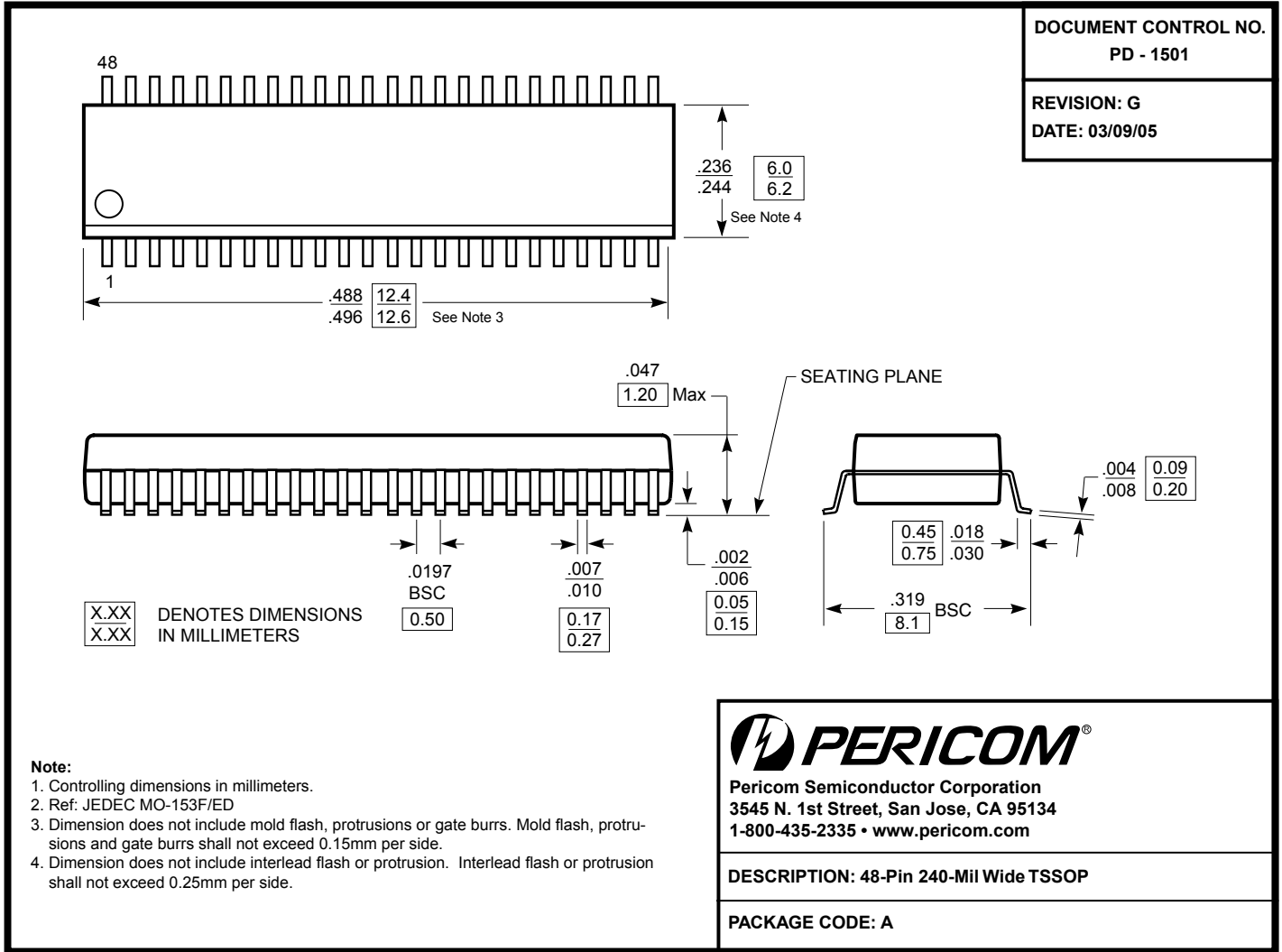
Notes:

1. Test configuration is $R_s = 33.2\Omega$, $R_p = 49.9\Omega$, and 2pF.
2. Measurement taken from Single Ended waveform.
3. Measurement taken from Differential waveform.
4. Measured using M1 timing analyzer from Amherst.
5. Additive jitter is calculated from input and output RMS phase jitter by using PCIe 2.0 filter. ($J_{add} = \sqrt{(\text{output jitter})^2 - (\text{input jitter})^2}$)
6. -0.5% downnsread input

Configuration Test Load Board Termination



Packaging Mechanical: 48-Pin TSSOP (A)



Ordering Information^(1,2)

| Ordering Code | Package Code | Package Description |
|---------------|--------------|---|
| PI6C20800BAE | AE | 48-pin, 240-mil wide, TSSOP, Pb-Free and Green |
| PI6C20800BIAE | AE | 48-pin, 240-mil wide, TSSOP, Pb-Free and Green (Industrial) |

Notes:

1. Thermal characteristics can be found on the company web site at www.pericom.com/packaging/
2. E = Pb-free and Green
3. Adding an X suffix = Tape/Reel

Mouser Electronics

Authorized Distributor

Click to View Pricing, Inventory, Delivery & Lifecycle Information:

[Diodes Incorporated:](#)

[PI6C20800BAE](#) [PI6C20800BIAEX](#) [PI6C20800BIAE](#) [PI6C20800BAEX](#)

Данный компонент на территории Российской Федерации

Вы можете приобрести в компании MosChip.

Для оперативного оформления запроса Вам необходимо перейти по данной ссылке:

<http://moschip.ru/get-element>

Вы можете разместить у нас заказ для любого Вашего проекта, будь то серийное производство или разработка единичного прибора.

В нашем ассортименте представлены ведущие мировые производители активных и пассивных электронных компонентов.

Нашей специализацией является поставка электронной компонентной базы двойного назначения, продукции таких производителей как XILINX, Intel (ex.ALTERA), Vicor, Microchip, Texas Instruments, Analog Devices, Mini-Circuits, Amphenol, Glenair.

Сотрудничество с глобальными дистрибьюторами электронных компонентов, предоставляет возможность заказывать и получать с международных складов практически любой перечень компонентов в оптимальные для Вас сроки.

На всех этапах разработки и производства наши партнеры могут получить квалифицированную поддержку опытных инженеров.

Система менеджмента качества компании отвечает требованиям в соответствии с ГОСТ Р ИСО 9001, ГОСТ РВ 0015-002 и ЭС РД 009

Офис по работе с юридическими лицами:

105318, г.Москва, ул.Щербаковская д.3, офис 1107, 1118, ДЦ «Щербаковский»

Телефон: +7 495 668-12-70 (многоканальный)

Факс: +7 495 668-12-70 (доб.304)

E-mail: info@moschip.ru

Skype отдела продаж:

moschip.ru

moschip.ru_4

moschip.ru_6

moschip.ru_9