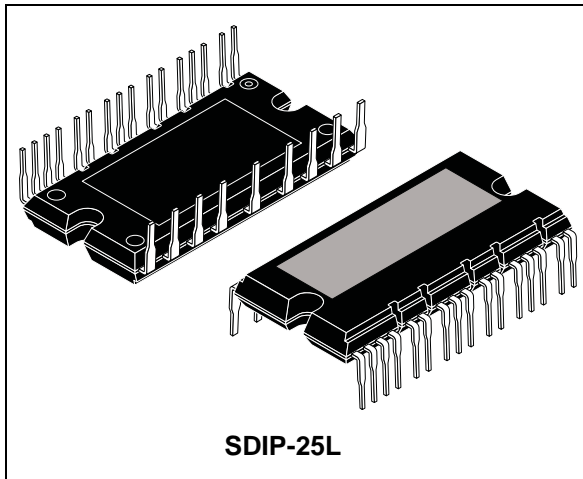


SLLIMM™ small low-loss intelligent molded module IPM, 3-phase inverter, 10 A, 600 V short-circuit rugged IGBT

Datasheet - production data



Applications

- 3-phase inverters for motor drives
- Home appliances, such as washing machines, refrigerators, air conditioners

Description

This intelligent power module provides a compact, high performance AC motor drive in a simple, rugged design. Combining ST proprietary control ICs with the most advanced short-circuit-rugged IGBT system technology, this device is ideal for 3-phase inverters in applications such as home appliances and air conditioners. SLLIMM™ is a trademark of STMicroelectronics.

Features

- IPM 10 A, 600 V, 3-phase IGBT inverter bridge including control ICs for gate driving and free-wheeling diodes
- Short-circuit rugged IGBT
- $V_{CE(sat)}$ negative temperature coefficient
- 3.3 V, 5 V, 15 V CMOS/TTL inputs comparators with hysteresis and pull-down resistor
- Undervoltage lockout
- Internal bootstrap diode
- Interlocking function
- DBC substrate leading to low thermal resistance
- Isolation rating of 2500 V_{rms}/min
- 4.7 k Ω NTC for temperature control
- UL recognized: UL1557 file E81734

Table 1. Device summary

Order code	Marking	Package	Packing
STGIPS10K60A2	GIPS10K60A2	SDIP-25L	Tube

Contents

- 1 Internal block diagram and pin configuration 3**
- 2 Electrical ratings 5**
 - 2.1 Absolute maximum ratings 5
 - 2.2 Thermal data 6
- 3 Electrical characteristics 7**
 - 3.1 Control part 9
 - 3.1.1 NTC thermistor 9
- 4 Application information 12**
 - 4.1 Recommendations 13
- 5 Package information 14**
 - 5.1 SDIP-25L package information 14
 - 5.2 Packing information 16
- 6 Revision history 17**

1 Internal block diagram and pin configuration

Figure 1. Internal block diagram

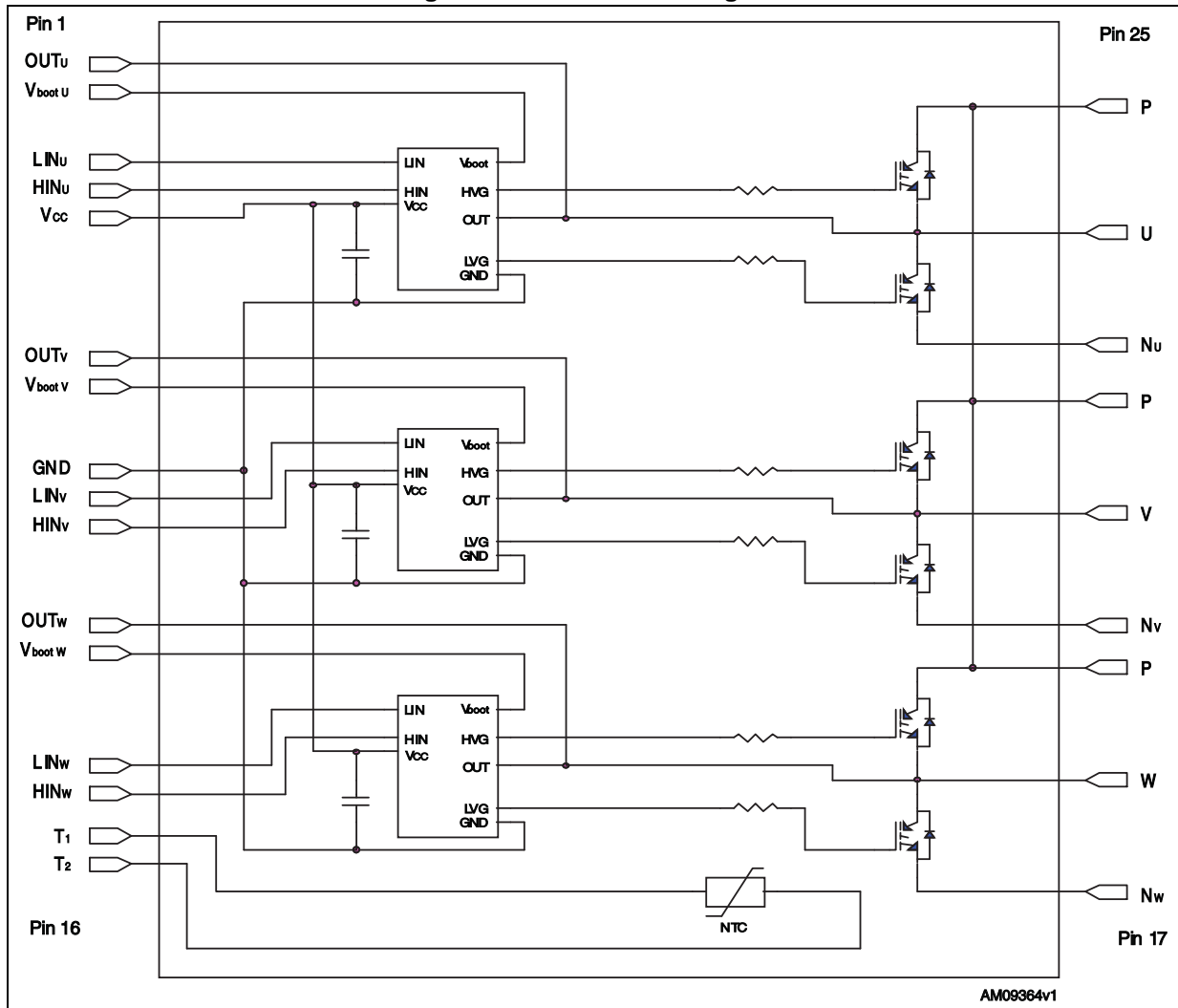
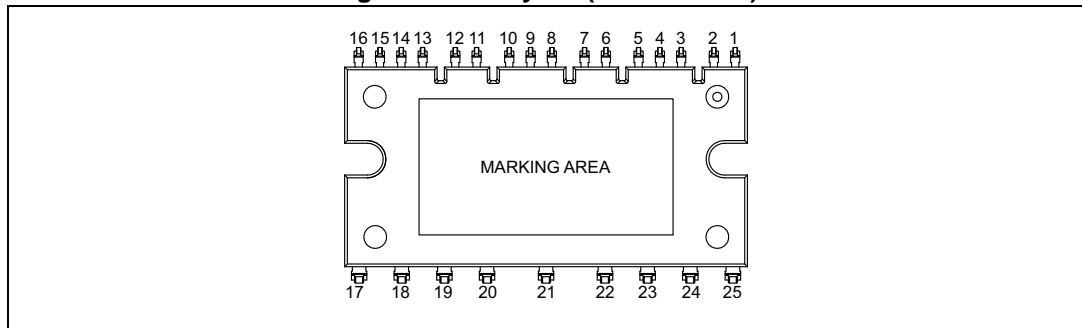


Table 2. Pin description

Pin	Symbol	Description
1	OUT _U	High side reference output for U phase
2	V _{boot U}	Bootstrap voltage for U phase
3	LIN _U	Low side logic input for U phase
4	HIN _U	High side logic input for U phase
5	V _{CC}	Low voltage power supply
6	OUT _V	High side reference output for V phase
7	V _{boot V}	Bootstrap voltage for V phase
8	GND	Ground
9	LIN _V	Low side logic input for V phase
10	HIN _V	High side logic input for V phase
11	OUT _W	High side reference output for W phase
12	V _{boot W}	Bootstrap voltage for W phase
13	LIN _W	Low side logic input for W phase
14	HIN _W	High side logic input for W phase
15	T ₁	NTC thermistor terminal 1
16	T ₂	NTC thermistor terminal 2
17	N _W	Negative DC input for W phase
18	W	W phase output
19	P	Positive DC input
20	N _V	Negative DC input for V phase
21	V	V phase output
22	P	Positive DC input
23	N _U	Negative DC input for U phase
24	U	U phase output
25	P	Positive DC input

Figure 2. Pin layout (bottom view)



2 Electrical ratings

2.1 Absolute maximum ratings

Table 3. Inverter part

Symbol	Parameter	Value	Unit
V_{PN}	Supply voltage applied between P - N _U , N _V , N _W	450	V
$V_{PN(surge)}$	Supply voltage (surge) applied between P - N _U , N _V , N _W	500	V
V_{CES}	Each IGBT collector emitter voltage ($V_{IN}^{(1)} = 0$)	600	V
$\pm I_C^{(2)}$	Each IGBT continuous collector current at $T_C = 25^\circ\text{C}$	10	A
$\pm I_{CP}^{(3)}$	Each IGBT pulsed collector current	20	A
P_{TOT}	Each IGBT total dissipation at $T_C = 25^\circ\text{C}$	33	W
t_{scw}	Short-circuit withstand time, $V_{CE} = 0.5 V_{(BR)CES}$ $T_j = 125^\circ\text{C}$, $V_{CC} = V_{boot} = 15\text{ V}$, $V_{IN(1)} = 5\text{ V}$	5	μs

1. Applied between HIN_i, LIN_i and G_{ND} for i = U, V, W.
2. Calculated according to the iterative formula:

$$I_C(T_C) = \frac{T_{j(max)} - T_C}{R_{thj-c} \times V_{CE(sat)(max)}(T_{j(max)}, I_C(T_C))}$$

3. Pulse width limited by max junction temperature.

Table 4. Control part

Symbol	Parameter	Min.	Max	Unit
V_{OUT}	Output voltage applied between OUT _U , OUT _V , OUT _W - GND	$V_{boot} - 18$	$V_{boot} + 0.3$	V
V_{CC}	Low voltage power supply	- 0.3	18	V
V_{boot}	Bootstrap voltage	- 0.3	618	V
V_{IN}	Logic input voltage applied between HIN _i , LIN _i and G _{ND} for i = U, V, W	- 0.3	$V_{CC} + 0.3$	V
dV_{OUT}/dt	Allowed output slew rate	50	50	V/ns

Table 5. Total system

Symbol	Parameter	Value	Unit
V_{ISO}	Isolation withstand voltage applied between each pin and heatsink plate (AC voltage, t = 60 sec.)	2500	V
T_J	Power chips operating junction temperature	-40 to 150	$^\circ\text{C}$
T_C	Module case operating temperature	-40 to 125	$^\circ\text{C}$

2.2 Thermal data

Table 6. Thermal data

Symbol	Parameter	Value	Unit
R_{thJC}	Thermal resistance junction-case single IGBT max.	3.8	°C/W
	Thermal resistance junction-case single diode max.	5.5	°C/W

3 Electrical characteristics

T_j = 25°C unless otherwise specified.

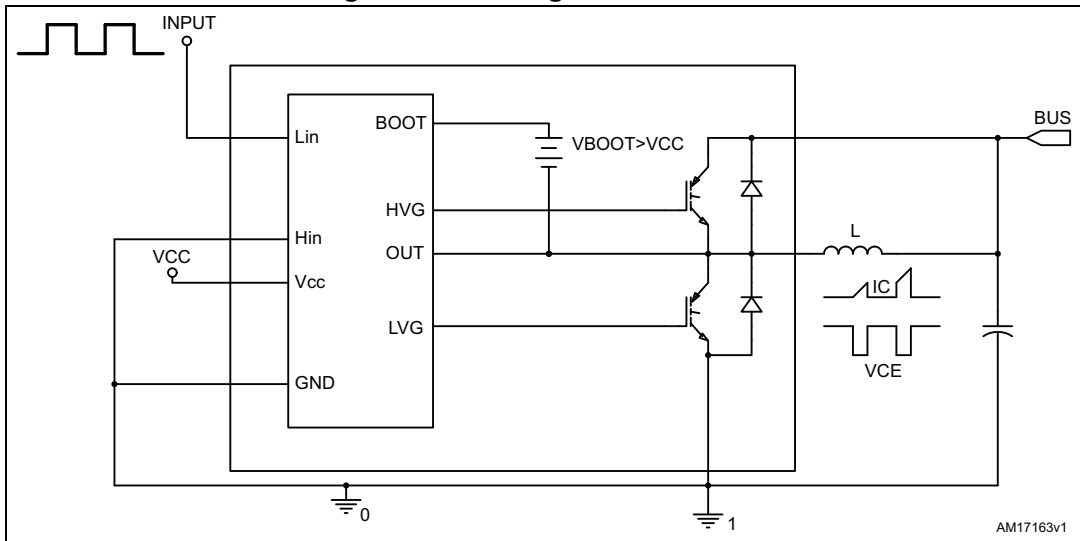
Table 7. Inverter part

Symbol	Parameter	Test conditions	Value			Unit
			Min.	Typ.	Max.	
V _{CE(sat)}	Collector-emitter saturation voltage	V _{CC} = V _{boot} = 15 V, V _{IN} ⁽¹⁾ = 5 V, I _C = 5 A	-	2.1	2.5	V
		V _{CC} = V _{boot} = 15 V, V _{IN} ⁽¹⁾ = 5 V, I _C = 5 A, T _j = 125 °C	-	1.8		
I _{CES}	Collector-cut off current (V _{IN} ⁽¹⁾ = 0 "logic state")	V _{CE} = 550 V V _{CC} = V _{boot} = 15 V	-		150	µA
V _F	Diode forward voltage	V _{IN} ⁽¹⁾ = 0 "logic state", I _C = 5 A	-		1.9	V
Inductive load switching time and energy						
t _{on}	Turn-on time	V _{DD} = 300 V, V _{CC} = V _{boot} = 15 V, V _{IN} ⁽¹⁾ = 0 ÷ 5 V, I _C = 5 A (see Figure 4)	-	320	-	ns
t _{c(on)}	Crossover time (on)		-	70	-	
t _{off}	Turn-off time		-	430	-	
t _{c(off)}	Crossover time (off)		-	135	-	
t _{rr}	Reverse recovery time		-	130	-	
E _{on}	Turn-on switching losses		-	65	-	µJ
E _{off}	Turn-off switching losses		-	75	-	

1. Applied between HIN_i, LIN_i and G_{ND} for i = U, V, W.

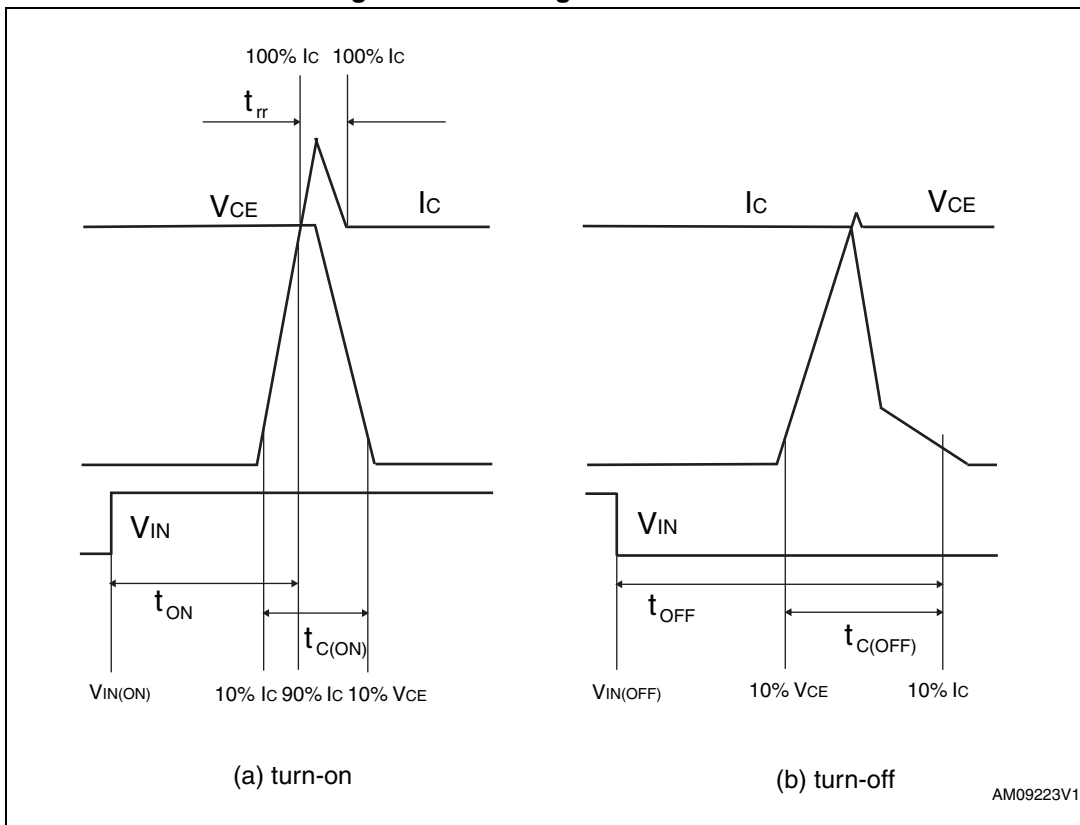
Note: t_{ON} and t_{OFF} include the propagation delay time of the internal drive. t_{C(ON)} and t_{C(OFF)} are the switching time of IGBT itself under the internally given gate driving condition.

Figure 3. Switching time test circuit



AM17163v1

Figure 4. Switching time definition



AM09223V1

3.1 Control part

Table 8. Low supply voltage ($V_{CC} = 15\text{ V}$ unless otherwise specified)

Symbol	Parameter	Test conditions	Min.	Typ.	Max.	Unit
V_{CCthON}	Under voltage turn on threshold		9.1	9.6	10.1	V
$V_{CCthOFF}$	Under voltage turn off threshold		7.9	8.3	8.8	V
V_{CChys}	Under voltage hystereses		0.9			V
I_{qccu}	Under voltage quiescent supply current	$V_{CC} < 7.9\text{ V}$		0.75	1.2	mA
I_{qcc}	Quiescent current	$V_{CC} = 15\text{ V}$		1	1.5	mA

Table 9. Bootstrap supply ($V_{CC} = 15\text{ V}$ unless otherwise specified)

Symbol	Parameter	Test conditions	Min.	Typ.	Max.	Unit
V_{boot_thON}	Under voltage turn on threshold		8.5	9.5	10.5	V
V_{boot_thOFF}	Under voltage turn off threshold		7.2	8.3	9.2	V
V_{boot_hys}	Under voltage hystereses		0.9			V
I_{qboot}	Quiescent current				250	μA
$R_{DS(on)}$	Bootstrap driver on resistance	$V_{CC} > 12.5\text{ V}$		125		Ω

Table 10. Logic input ⁽¹⁾ ($V_{CC} = 15\text{ V}$ unless otherwise specified)

Symbol	Parameter	Test conditions	Min.	Typ.	Max.	Unit
V_{il}	Low level logic input voltage				1.1	V
V_{ih}	High level logic input voltage		1.8			V
I_{il}	Low level logic input current	$V_{IN}^{(2)} = 0$	-1			μA
I_{ih}	High level logic input current	$V_{IN}^{(1)} = 15\text{ V}$		20	70	μA

1. See [Figure 9: Dead time and interlocking definition](#).
2. Applied between HIN_i , LIN_i and G_{ND} for $i = U, V, W$

3.1.1 NTC thermistor

Table 11. NTC thermistor

Symbol	Parameter	Test conditions	Min.	Typ.	Max.	Unit.
R_{25}	Resistance	$T = 25^\circ\text{C}$		4.7		$\text{k}\Omega$
R_{125}	Resistance	$T = 125^\circ\text{C}$		160		Ω
B	B-constant	$T = 25^\circ\text{C}$ to 85°C		3950		K
T	Operating temperature		-40		150	$^\circ\text{C}$

Equation 1: resistance variation vs. temperature

$$R(T) = R_{25} \cdot e^{B \left(\frac{1}{T} - \frac{1}{298} \right)}$$

Where T are temperatures in Kelvin.

Figure 5. NTC resistance vs. temperature

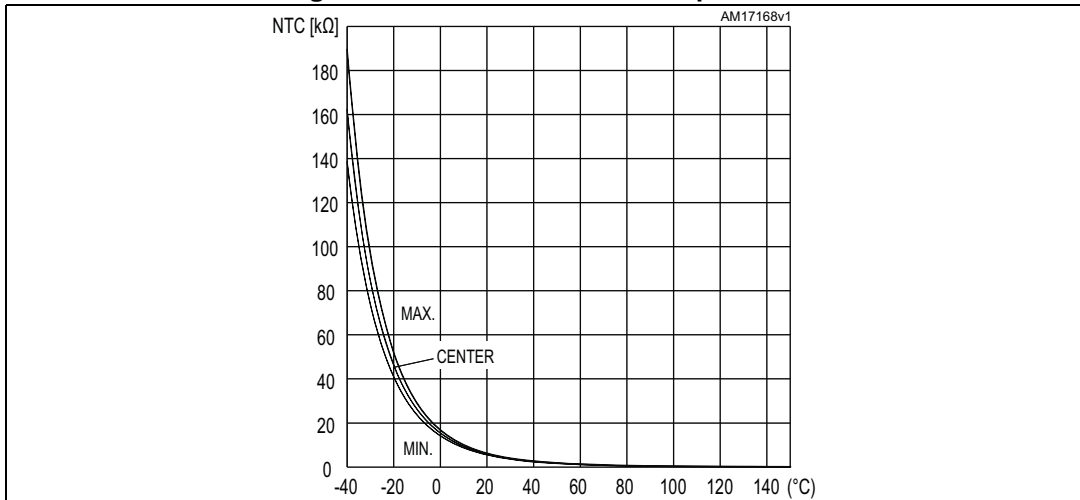


Figure 6. NTC resistance vs. temperature (zoom)

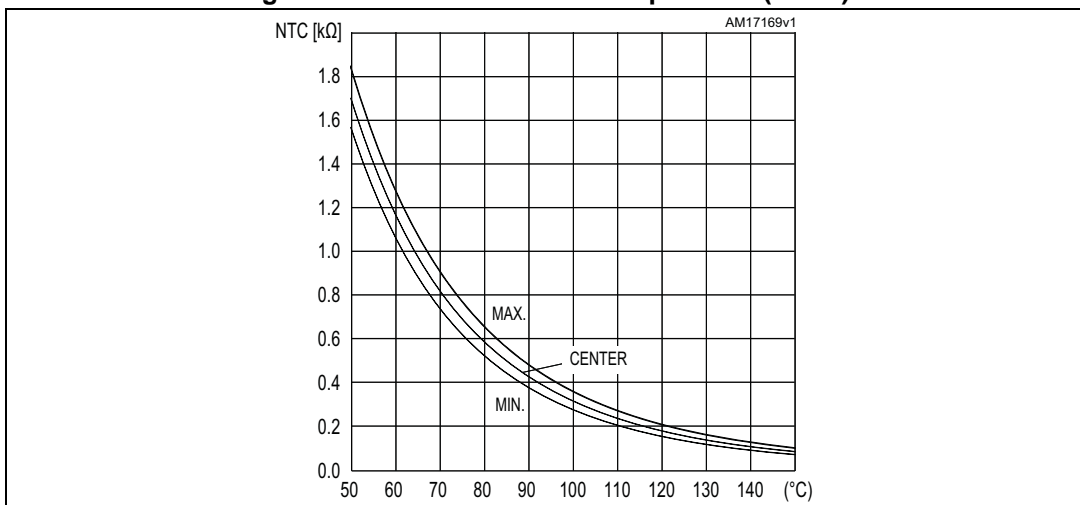


Figure 7. Maximum $I_{C(RMS)}$ current vs. switching frequency (1)

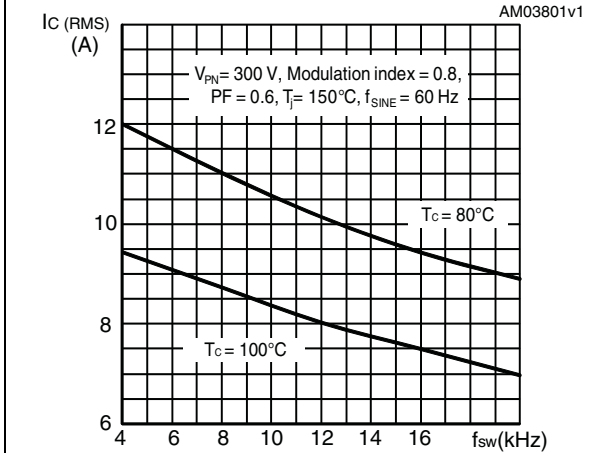
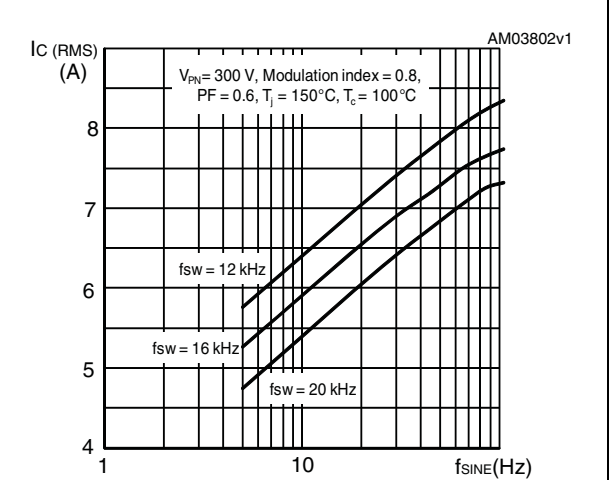
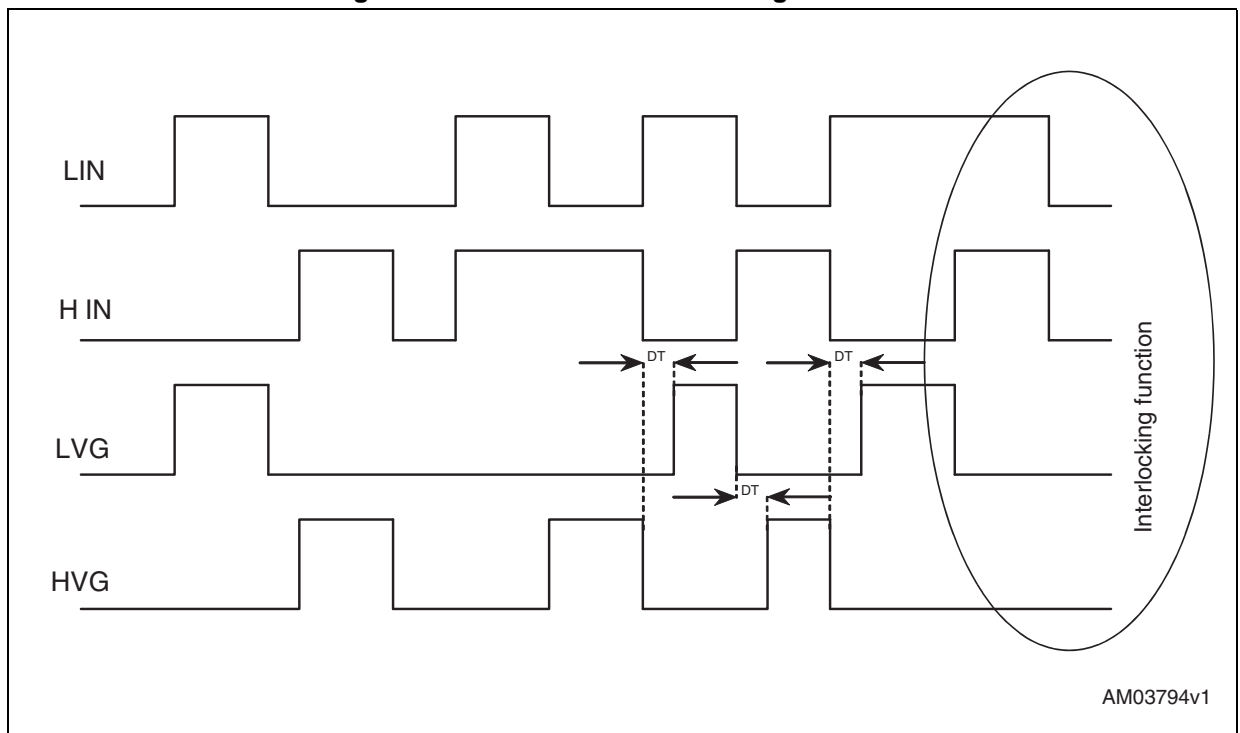


Figure 8. Maximum $I_{C(RMS)}$ current vs. f_{SINE} (1)



1. Simulated curves refer to typical IGBT parameters and maximum R_{thj-c} .

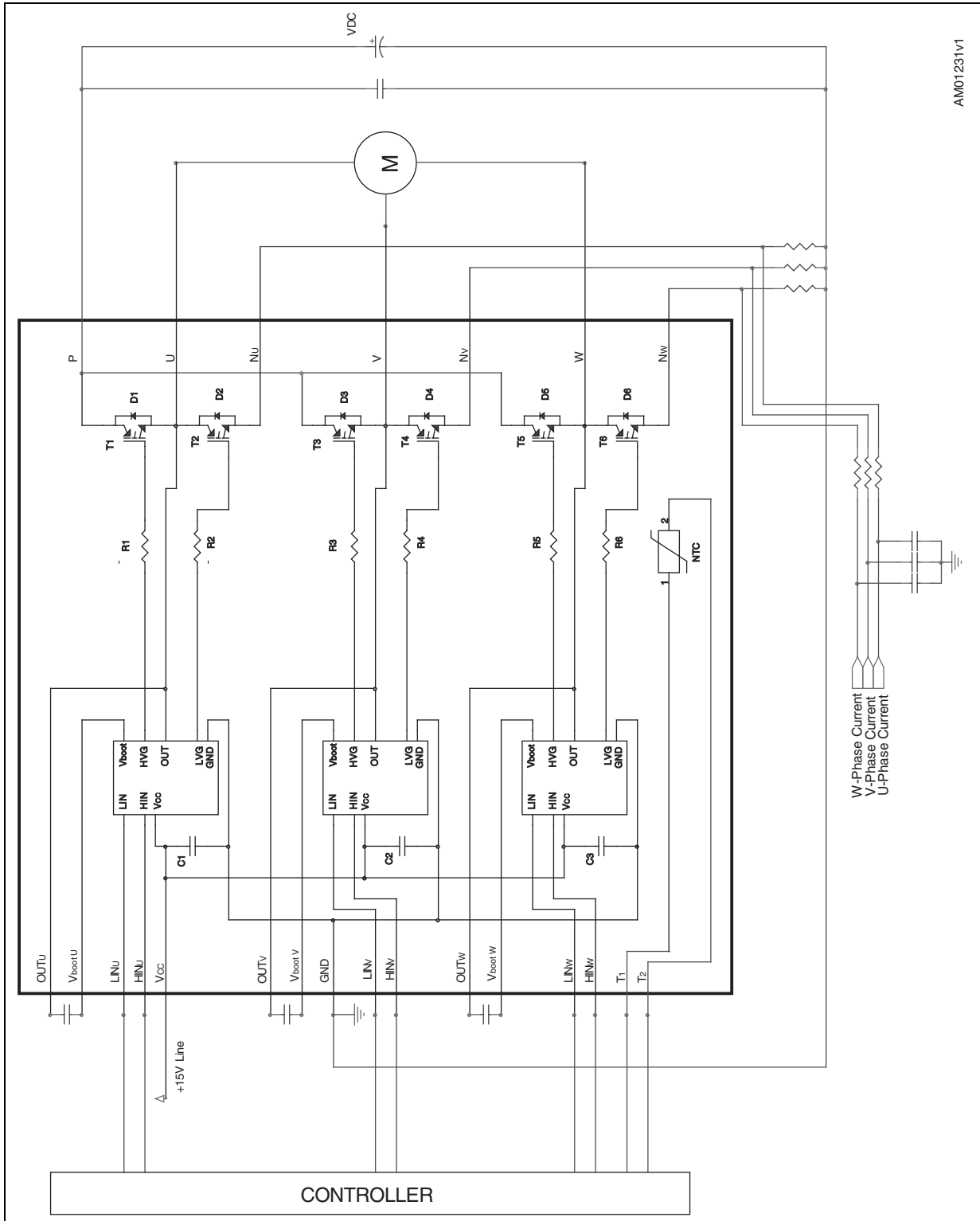
Figure 9. Dead time and interlocking definition



Minimum recommended dead time (DT) between low and high side logic input: 1 μs .

4 Application information

Figure 10. Typical application circuit



4.1 Recommendations

- Input signal HIN,LIN are active-high logic. A 500 k Ω (typ.) pull down resistor is built-in for each high side input. If an external RC filter is used, for noise immunity, pay attention to the variation of the input signal level.
- To prevent the input signals oscillation, the wiring of each input should be as short as possible.
- By integrating an application specific type HVIC inside the module, direct coupling to MCU terminals without any opto-coupler is possible.
- Each capacitor should be located as nearby the pins of IPM as possible.
- Low inductance shunt resistors should be used for phase leg current sensing.
- Electrolytic bus capacitors should be mounted as close to the module bus terminals as possible. Additional high frequency ceramic capacitor mounted close to the module pins will further improve performance.

Table 12. Recommended operating conditions

Symbol	Parameter	Conditions	Min.	Typ.	Max.	Unit
V_{PN}	Supply Voltage	Applied between P-Nu, Nv, Nw		300	400	V
V_{CC}	Control supply voltage	Applied between V_{CC} -GND	12	15	17	V
V_{BS}	High side bias voltage	Applied between V_{BOOTi} - OUT_i for $i = U, V, W$	11.5		17	V
t_{dead}	Blanking time to prevent Arm-short	For each input signal	1			μ s
f_{PWM}	PWM input signal	-40°C < T_c < 100°C -40°C < T_j < 125°C			20	kHz
T_c	Case operation temperature				100	°C

For further details, refer to AN3338.

5 Package information

In order to meet environmental requirements, ST offers these devices in different grades of ECOPACK[®] packages, depending on their level of environmental compliance. ECOPACK[®] specifications, grade definitions and product status are available at: www.st.com. ECOPACK is an ST trademark.

Please refer to dedicated technical note TN0107 for mounting instructions.

5.1 SDIP-25L package information

Figure 11. SDIP-25L package outline

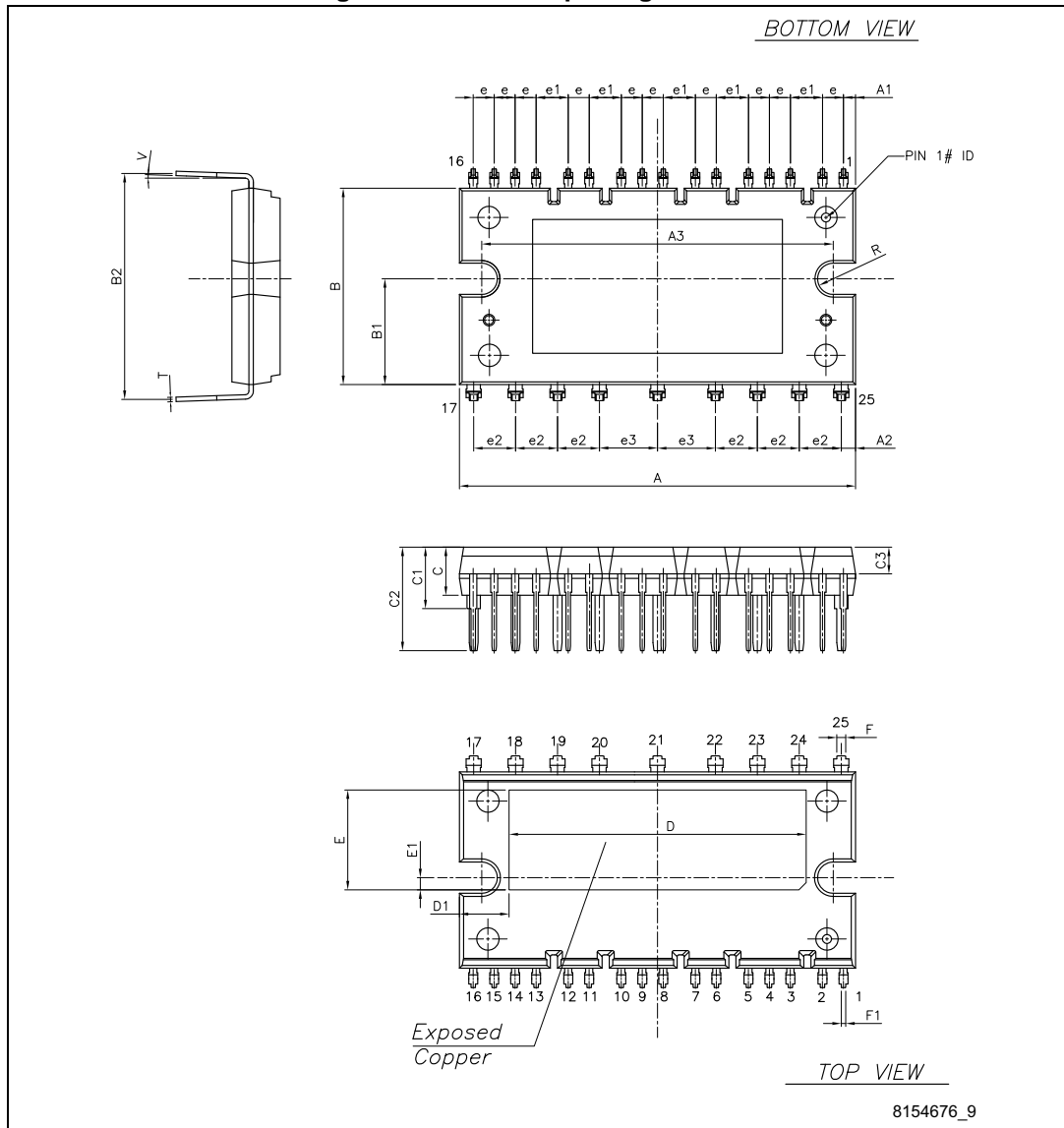
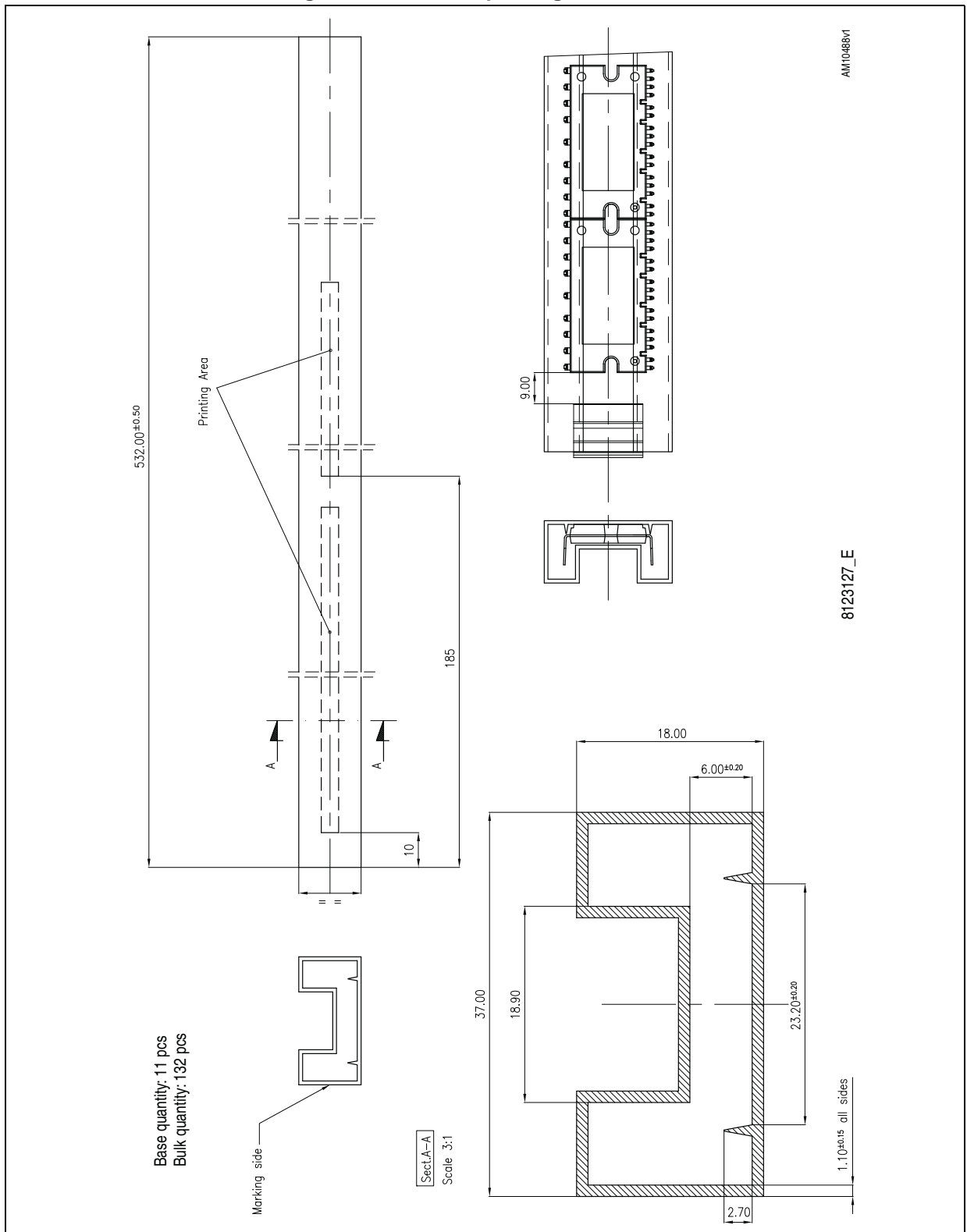


Table 13. SDIP-25L mechanical data

Dim.	mm		
	Min.	Typ.	Max.
A	43.90	44.40	44.90
A1	1.15	1.35	1.55
A2	1.40	1.60	1.80
A3	38.90	39.40	39.90
B	21.50	22.00	22.50
B1	11.25	11.85	12.45
B2	24.83	25.23	25.63
C	5.00	5.40	6.00
C1	6.50	7.00	7.50
C2	11.20	11.70	12.20
C3	2.90	3.00	3.10
e	2.15	2.35	2.55
e1	3.40	3.60	3.80
e2	4.50	4.70	4.90
e3	6.30	6.50	6.70
D		33.30	
D1		5.55	
E		11.20	
E1		1.40	
F	0.85	1.00	1.15
F1	0.35	0.50	0.65
R	1.55	1.75	1.95
T	0.45	0.55	0.65
V	0°		6°

5.2 Packing information

Figure 12. SDIP-25L packing information



6 Revision history

Table 14. Document revision history

Date	Revision	Changes
09-Dec-2013	1	Initial release.
18-Feb-2014	2	– Document status promoted from target specification to preliminary data – Minor text changes
14-Apr-2015	3	Text edits and formatting changes throughout document Updated Figure 2: Pin layout (bottom view) Updated Section 5: Package information

IMPORTANT NOTICE – PLEASE READ CAREFULLY

STMicroelectronics NV and its subsidiaries ("ST") reserve the right to make changes, corrections, enhancements, modifications, and improvements to ST products and/or to this document at any time without notice. Purchasers should obtain the latest relevant information on ST products before placing orders. ST products are sold pursuant to ST's terms and conditions of sale in place at the time of order acknowledgement.

Purchasers are solely responsible for the choice, selection, and use of ST products and ST assumes no liability for application assistance or the design of Purchasers' products.

No license, express or implied, to any intellectual property right is granted by ST herein.

Resale of ST products with provisions different from the information set forth herein shall void any warranty granted by ST for such product.

ST and the ST logo are trademarks of ST. All other product or service names are the property of their respective owners.

Information in this document supersedes and replaces information previously supplied in any prior versions of this document.

© 2015 STMicroelectronics – All rights reserved

Данный компонент на территории Российской Федерации

Вы можете приобрести в компании MosChip.

Для оперативного оформления запроса Вам необходимо перейти по данной ссылке:

<http://moschip.ru/get-element>

Вы можете разместить у нас заказ для любого Вашего проекта, будь то серийное производство или разработка единичного прибора.

В нашем ассортименте представлены ведущие мировые производители активных и пассивных электронных компонентов.

Нашей специализацией является поставка электронной компонентной базы двойного назначения, продукции таких производителей как XILINX, Intel (ex.ALTERA), Vicor, Microchip, Texas Instruments, Analog Devices, Mini-Circuits, Amphenol, Glenair.

Сотрудничество с глобальными дистрибьюторами электронных компонентов, предоставляет возможность заказывать и получать с международных складов практически любой перечень компонентов в оптимальные для Вас сроки.

На всех этапах разработки и производства наши партнеры могут получить квалифицированную поддержку опытных инженеров.

Система менеджмента качества компании отвечает требованиям в соответствии с ГОСТ Р ИСО 9001, ГОСТ РВ 0015-002 и ЭС РД 009

Офис по работе с юридическими лицами:

105318, г.Москва, ул.Щербаковская д.3, офис 1107, 1118, ДЦ «Щербаковский»

Телефон: +7 495 668-12-70 (многоканальный)

Факс: +7 495 668-12-70 (доб.304)

E-mail: info@moschip.ru

Skype отдела продаж:

moschip.ru

moschip.ru_4

moschip.ru_6

moschip.ru_9