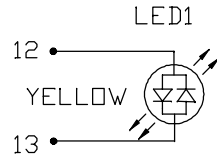


THE INFORMATION CONTAINED HEREIN IS CONSIDERED 'PROPRIETARY' TO BEL FUSE INC. AND SHALL NOT BE COPIED, REPRODUCED OR DISCLOSED WITHOUT THE WRITTEN APPROVAL OF BEL FUSE INC.

RoHS

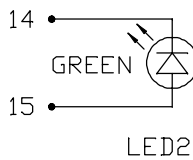


LED1 POLARITY			LED2 POLARITY		
PIN 12	PIN 13	COLOR	PIN 14	PIN 15	COLOR
-	+	GREEN	-	+	GREEN
+	-	YELLOW			

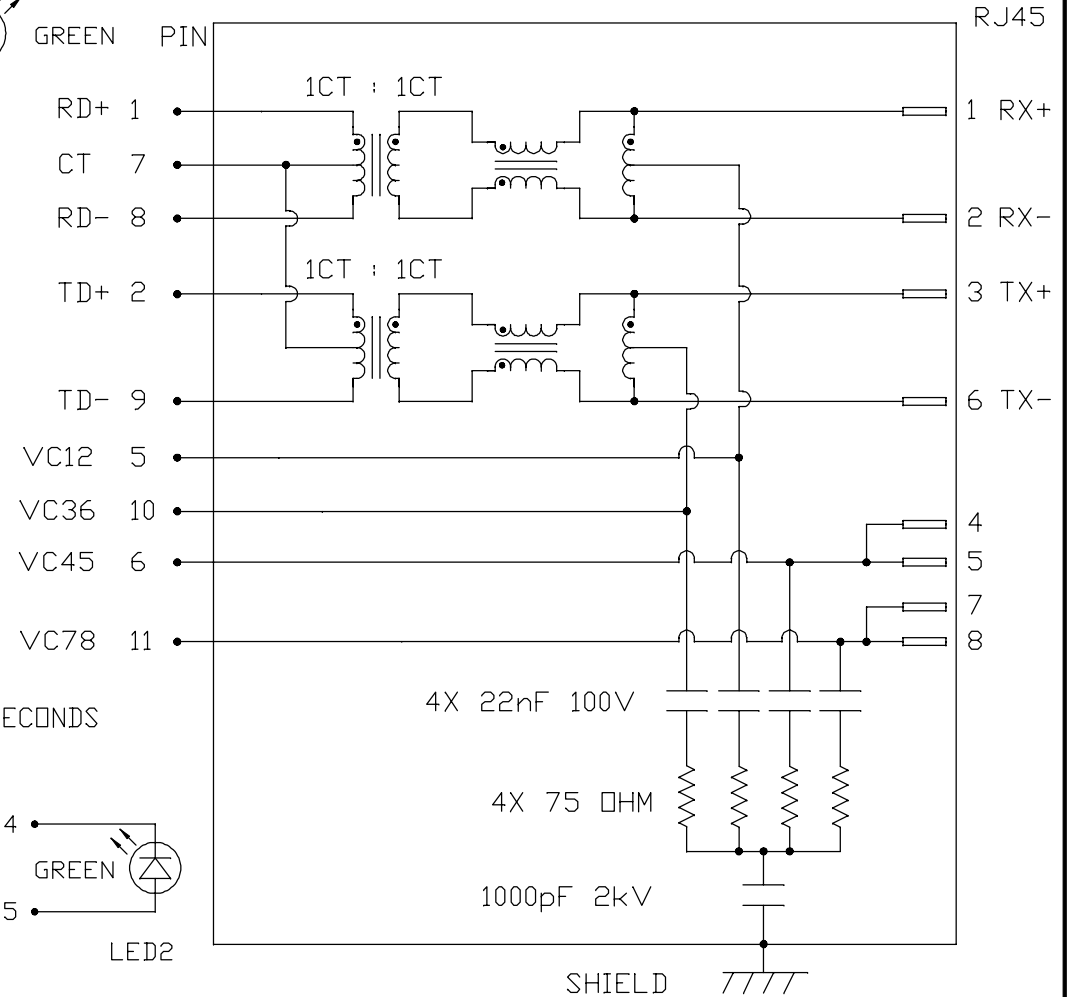


ELECTRICAL CHARACTERISTICS @ 25°C

URNS RATIO	1CT : 1CT ±2%
OCL @ 100kHz/100mVRMS	
8mA DC BIAS	350µH MIN.
INSERTION LOSS	
100KHz TO 100MHz	-1.5 dB MAX.
RETURN LOSS (MIN.)	
2MHz-30MHz	-16 dB MIN.
60MHz-80MHz	-10 dB MIN.
CROSS TALK	
100KHz - 100MHz	-30 dB MIN.
HIPOT (ISOLATION VOLTAGE)	2250 VDC
100% OF PRODUCTION TESTED TO COMPLY WITH IEEE 802.3 ISOLATION REQUIREMENTS	
BALANCED DC LINE CURRENT	350mA MAX. @ 57 VDC CONTINUOUS
	500mA MAX. @ 57 VDC FOR 200 MILLSECONDS
LED 1	
VF (FORWARD VOLTAGE)	IF=20mA GREEN 2.2V TYP.
	IF=20mA YELLOW 2.1V TYP.
λ (DOMINANT WAVELENGTH)	IF=20mA GREEN 570nm TYP.
	IF=20mA YELLOW 590nm TYP.
LED 2	
VF (FORWARD VOLTAGE)	IF=20mA GREEN 2.2V TYP.
λ (DOMINANT WAVELENGTH)	IF=20mA GREEN 570nm TYP.
OPERATING TEMPERATURE: 0°C TO +70°C.	



SCHEMATIC



REV. : F PAGE : 2

ORIGINATED BY
CHOW WANCHUNG
DATE 2016-08-11
DRAWN BY
SKY YOU
DATE 2016-08-11

TITLE
10/100 MagJack®
PoE
0826-1L1T-57-F

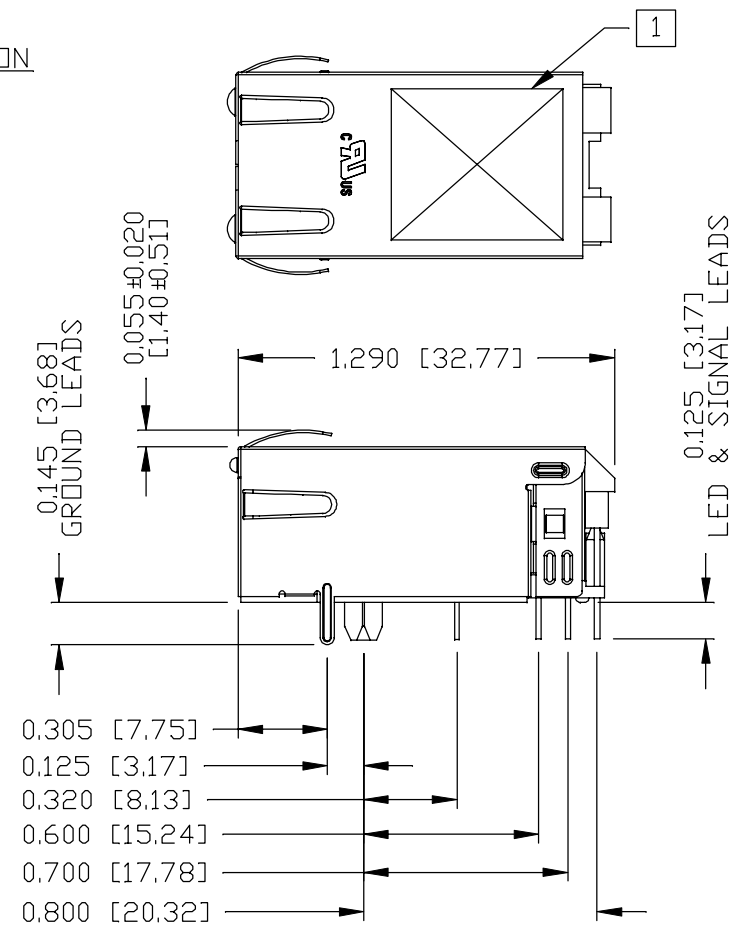
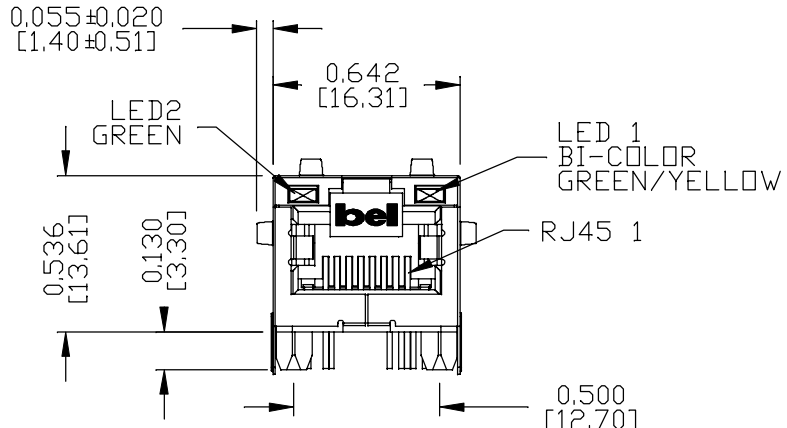
PART NO. / DRAWING NO.
08261L1T57-F
FILE NAME
08261L1T57-F_F.DWG

STANDARD DIM. [] METRIC DIM.
TOL. IN INCH AS REF.
.x UNIT : INCH [mm]
.XX SCALE : N/A
.XXX SIZE : A4



THE INFORMATION CONTAINED HEREIN IS CONSIDERED "PROPRIETARY" TO BEL FUSE INC. AND SHALL NOT BE COPIED, REPRODUCED OR DISCLOSED WITHOUT THE WRITTEN APPROVAL OF BEL FUSE INC.

MECHANICAL SPECIFICATION



NOTES:

- PLASTIC HOUSING: THERMOPLASTIC PA, BLACK
FLAMMABILITY RATING UL 94V-0
- CONTACTS: 50 MICRO-INCH HARD GOLD PLATING OR EQUIVALENT,
30 MICRO-INCH MIN NICKEL UNDERPLATE.
- OUTPUT PINS: TIN-COATED COPPER WIRE, DIA 0.018 INCH,
100 MICRO-INCH MIN MATTE TIN, PINS ARE SOLDER DIPPED.
- METAL SHIELD: NICKEL PLATED ON COPPER ALLOY.
(ALL GROUND LEADS ARE SOLDER DIPPED)

1. MARK PART WITH MFG LOGO, MFG NAME, PART NUMBER, AND DATE CODE.

- UL RECOGNIZED - FILE #E196366 AND E169987.
- THE PRODUCT IS RoHS COMPLIANT.
- JACK CAVITY CONFORMS TO FCC RULES AND REGULATIONS.
- THE PART IS RECOMMENDED FOR WAVE SOLDERING. THE SUGGESTED PEAK WAVE SOLDERING CONDITION IS 260°C MAX AND 10 SECONDS MAX.

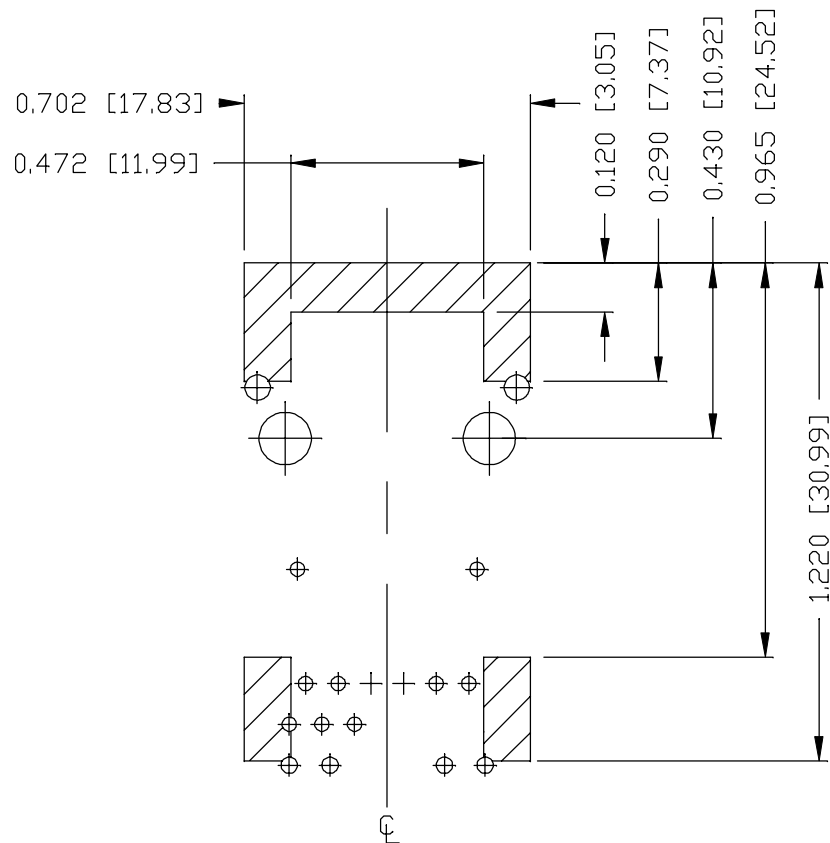
REV. : F PAGE : 3

ORIGINATED BY JESSE LI DATE 2016-08-11	TITLE 10/100 MagJack® PoE 0826-1L1T-57-F	PART NO. / DRAWING NO. 08261L1T57-F	STANDARD DIM. TOL. IN INCH	[] METRIC DIM. AS REF.
		FILE NAME 08261L1T57-F_F.DWG	.X .XX .XXX	UNIT : INCH [mm] SCALE : N/A SIZE : A4



THE INFORMATION CONTAINED HEREIN IS CONSIDERED "PROPRIETARY" TO BEL FUSE INC. AND SHALL NOT BE COPIED, REPRODUCED OR DISCLOSED WITHOUT THE WRITTEN APPROVAL OF BEL FUSE INC.

RoHS



NOTES

THE SHADED AREA ON THE CUSTOMER BOARD ARE RECOMMENDED TO BE CLEAR OFF ANY VIA HOLE OR COMPONENT PAD.

ORIGINATED BY
JESSE LI
DATE 2016-08-11

DRAWN BY
JOLLY LUO
DATE 2016-08-11

TITLE
10/100 MagJack®
PoE
0826-1L1T-57-F

PART NO. / DRAWING NO.
08261L1T57-F
FILE NAME
08261L1T57-F_F.DWG

STANDARD DIM. TOL. IN INCH	[] METRIC DIM. AS REF.
.X	UNIT : INCH [mm]
.XX	SCALE : N/A
.XXX	±0.004

SIZE : A4

REV. : F	PAGE : 4
----------	----------

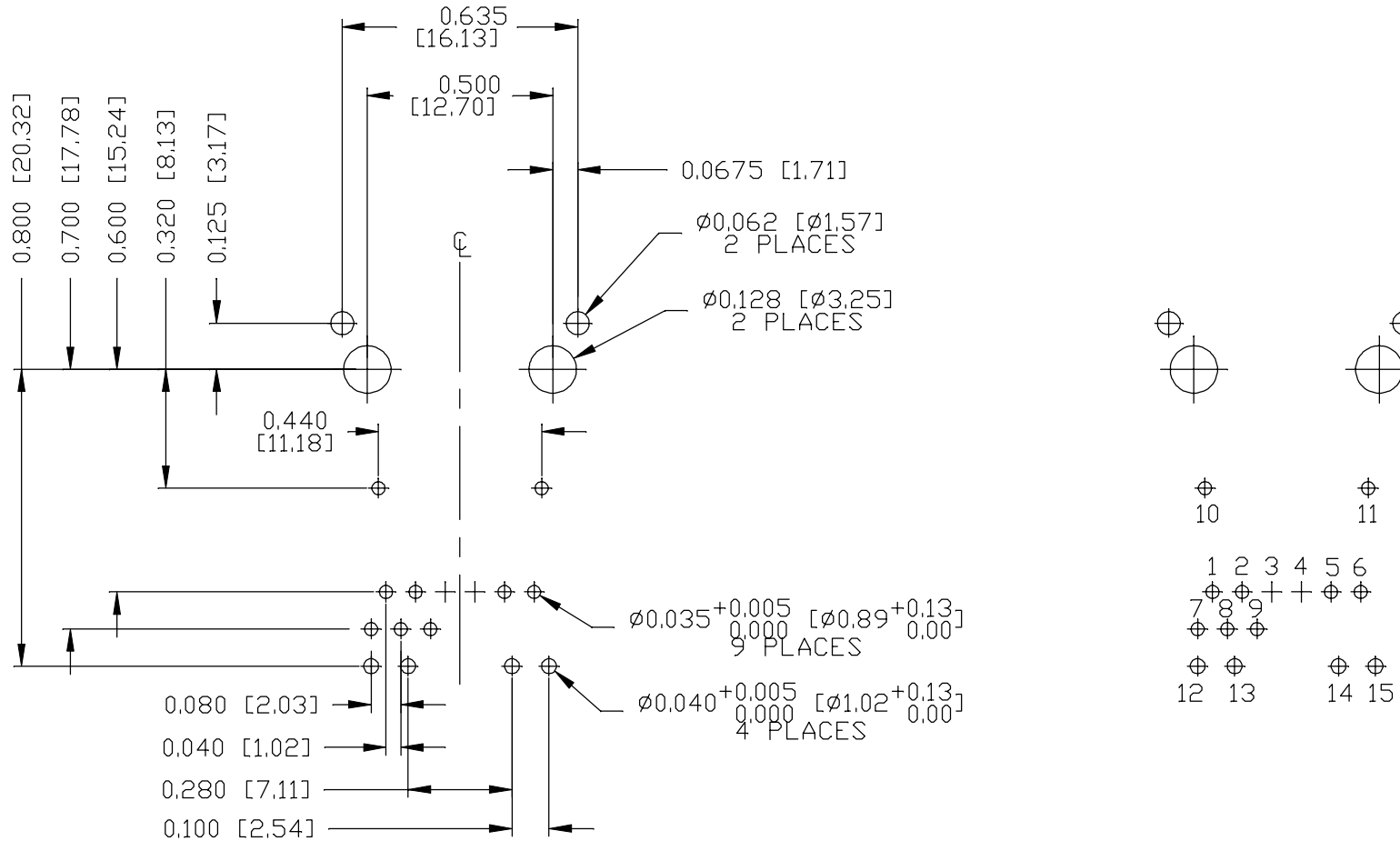
a bel group

THE INFORMATION CONTAINED HEREIN IS CONSIDERED "PROPRIETARY" TO BEL FUSE INC. AND SHALL NOT BE COPIED, REPRODUCED OR DISCLOSED WITHOUT THE WRITTEN APPROVAL OF BEL FUSE INC.

RoHS



RECOMMENDED PCB FOOTPRINT
COMPONENT SIDE VIEW



ORIGINATED BY
JESSE LI
DATE 2016-08-11
DRAWN BY
JOLLY LUD
DATE 2016-08-11

TITLE
10/100 MagJack®
PoE
0826-1L1T-57-F

PART NO. / DRAWING NO.
08261L1T57-F
FILE NAME
08261L1T57-F_F.DWG

STANDARD DIM. TOL. IN INCH	[] METRIC DIM. AS REF.
.X	UNIT : INCH [mm]
.XX	SCALE : N/A
.XXX ±0.004	SIZE : A4

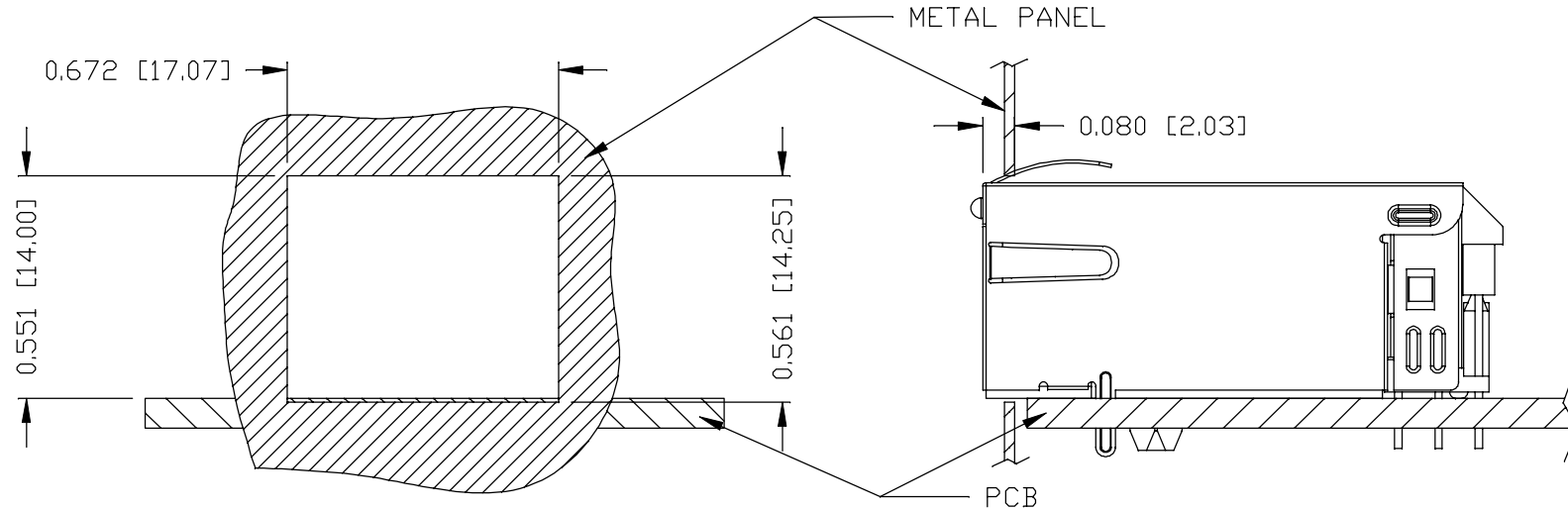
REV. : F	PAGE : 5
<p>a bel group</p>	

THE INFORMATION CONTAINED HEREIN IS CONSIDERED "PROPRIETARY" TO BEL FUSE INC. AND SHALL NOT BE COPIED, REPRODUCED OR DISCLOSED WITHOUT THE WRITTEN APPROVAL OF BEL FUSE INC.

RoHS



SUGGESTED PANEL OPENING



NOTE:


THE DISTANCE OF PANEL INSIDE SURFACE RELATIVE TO FRONT SURFACE OF PART IS ONLY A SUGGESTION. IN CASE THIS DISTANCE IS DIFFERENT, THE REQUIRED PANEL OPENING DIMENSIONS CHANGE ACCORDINGLY.

PACKING INFORMATION

PACKING TRAY : 0200-9999-F6 (TOP)
0200-9999-F7 (BOTTOM)

PACKING QUANTITY : 40 PCS FINISHED GOODS PER TRAY
10 TRAYS (400 PCS FINISHED GOODS) PER CARTON BOX

NOTE : CARDBOARDS ARE PLACED BETWEEN LAYERS OF PACKING TRAY INSIDE CARTON BOX
(INCLUDE THE UPPERMOST AND LOWERMOST TRAY)

REV. :	F	PAGE :	6
		[] METRIC DIM. AS REF.	
		UNIT : INCH [mm]	
		SCALE : N/A	
		SIZE : A4	

ORIGINATED BY JESSE LI DATE 2016-08-11	TITLE 10/100 MagJack® PoE 0826-1L1T-57-F	PART NO. / DRAWING NO. 08261L1T57-F	STANDARD DIM. TOL. IN INCH	[] METRIC DIM. AS REF.
DRAWN BY JOLLY LUO DATE 2016-08-11		FILE NAME 08261L1T57-F_F.DWG	.X	UNIT : INCH [mm]
			.XX	SCALE : N/A
			.XXX	±0.004

Данный компонент на территории Российской Федерации

Вы можете приобрести в компании MosChip.

Для оперативного оформления запроса Вам необходимо перейти по данной ссылке:

<http://moschip.ru/get-element>

Вы можете разместить у нас заказ для любого Вашего проекта, будь то серийное производство или разработка единичного прибора.

В нашем ассортименте представлены ведущие мировые производители активных и пассивных электронных компонентов.

Нашей специализацией является поставка электронной компонентной базы двойного назначения, продукции таких производителей как XILINX, Intel (ex.ALTERA), Vicor, Microchip, Texas Instruments, Analog Devices, Mini-Circuits, Amphenol, Glenair.

Сотрудничество с глобальными дистрибьюторами электронных компонентов, предоставляет возможность заказывать и получать с международных складов практически любой перечень компонентов в оптимальные для Вас сроки.

На всех этапах разработки и производства наши партнеры могут получить квалифицированную поддержку опытных инженеров.

Система менеджмента качества компании отвечает требованиям в соответствии с ГОСТ Р ИСО 9001, ГОСТ РВ 0015-002 и ЭС РД 009

Офис по работе с юридическими лицами:

105318, г.Москва, ул.Щербаковская д.3, офис 1107, 1118, ДЦ «Щербаковский»

Телефон: +7 495 668-12-70 (многоканальный)

Факс: +7 495 668-12-70 (доб.304)

E-mail: info@moschip.ru

Skype отдела продаж:

moschip.ru

moschip.ru_4

moschip.ru_6

moschip.ru_9