



### Main

Range of product	Preventa Safety automation
Product or component type	Preventa safety module
Safety module name	XPSAF
Safety module application	For emergency stop, switch and safety light curtain monitoring
Function of module	Monitoring of electro-sensitive protection equipment (ESPE) Monitoring of a movable guard Emergency stop monitoring 1-channel wiring Emergency stop with 2 NC contacts monitoring 2-channel wiring Multiple emergency stop monitoring 2-channel wiring
Safety level	Can reach PL e/category 4 conforming to EN/ISO 13849-1 Can reach SILCL 3 conforming to EN/IEC 62061
Safety reliability data	DC > 99 % conforming to EN/ISO 13849-1 MTTFd = 172.1 years conforming to EN/ISO 13849-1 PFHd = 5.61E-9 1/h conforming to EN/IEC 62061
Type of start	Unmonitored
Connections - terminals	Captive screw clamp terminals, clamping capacity: 2 x 0.5...2 x 1.5 mm <sup>2</sup> flexible cable with cable end, with double bezel Captive screw clamp terminals, clamping capacity: 1 x 0.14...1 x 2.5 mm <sup>2</sup> flexible cable with cable end, with double bezel Captive screw clamp terminals, clamping capacity: 1 x 0.14...1 x 2.5 mm <sup>2</sup> solid cable with cable end, with double bezel Captive screw clamp terminals, clamping capacity: 1 x 0.25...1 x 1.5 mm <sup>2</sup> flexible cable with cable end, with double bezel Captive screw clamp terminals, clamping capacity: 1 x 0.25...1 x 2.5 mm <sup>2</sup> flexible cable with cable end, with double bezel Captive screw clamp terminals, clamping capacity: 2 x 0.14...2 x 0.75 mm <sup>2</sup> flexible cable with cable end, with double bezel Captive screw clamp terminals, clamping capacity: 2 x 0.14...2 x 0.75 mm <sup>2</sup> solid cable with cable end, with double bezel Captive screw clamp terminals, clamping capacity: 2 x 0.25...2 x 1 mm <sup>2</sup> flexible cable with cable end, with double bezel
Output type	Relay instantaneous opening 3 NO, volt-free
Number of additional circuits	0
[Us] rated supply voltage	24 V AC (- 15...10 %) 24 V DC (- 15...10 %)

### Complementary

Synchronisation time between inputs	Unlimited
Supply frequency	50/60 Hz
Power consumption in VA	<= 5 VA AC
Input protection type	Internal, electronic
[Uc] control circuit voltage	24 V
Line resistance	90 Ohm
Breaking capacity	C300: 180 VA, AC-15 (holding) relay output C300: 1800 VA, AC-15 (inrush) relay output
Breaking capacity	1.5 A at 24 V (DC-13) time constant: 50 ms for relay output

The information provided in this documentation contains general descriptions and/or technical characteristics of the products contained herein. This documentation is not intended as a substitute for and is not to be used for determining suitability or reliability of these products for specific user applications. It is the duty of any such user or integrator to perform the appropriate and complete risk analysis, evaluation and testing of the products with respect to the relevant specific application or use thereof. Neither Schneider Electric Industries SAS nor any of its affiliates or subsidiaries shall be responsible or liable for misuse of the information contained herein.

Output thermal current	6 A per relay relay output
[Ith] conventional free air thermal current	18 A
Associated fuse rating	4 A fuse type gG or gL for relay output conforming to EN/IEC 60947-5-1, DIN VDE 0660 part 200 6 A fuse type fast blow for relay output conforming to EN/IEC 60947-5-1, DIN VDE 0660 part 200
Minimum output current	10 mA relay output
Minimum output voltage	17 V relay output
Response time on input open	<= 40 ms
[Ui] rated insulation voltage	300 V (degree of pollution: 2) conforming to DIN VDE 0110 part 1 300 V (degree of pollution: 2) conforming to IEC 60947-5-1
[Uimp] rated impulse withstand voltage	4 kV overvoltage category III conforming to IEC 60947-5-1 4 kV overvoltage category III conforming to DIN VDE 0110 part 1
Local signalling	3 LEDs
Current consumption	30 mA at 24 V AC (on power supply)
Mounting support	35 mm symmetrical DIN rail
Product weight	0.55 lb(US) (0.25 kg)

## Environment

standards	EN 1088/ISO 14119 EN 60204-1 EN/IEC 60947-5-1 EN/IEC 61496-1 (type 4) EN/ISO 13850
product certifications	CSA TÜV UL
IP degree of protection	IP20 (terminals) conforming to EN/IEC 60529 IP40 (enclosure) conforming to EN/IEC 60529
ambient air temperature for operation	14...131 °F (-10...55 °C)
ambient air temperature for storage	-13...185 °F (-25...85 °C)

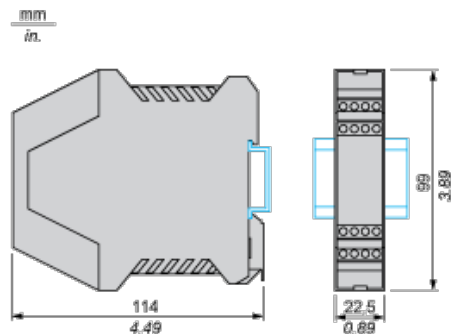
## Offer Sustainability

WARNING: This product can expose you to chemicals including:	WARNING: This product can expose you to chemicals including:
Lead and lead compounds, which is known to the State of California to cause cancer and birth defects or other reproductive harm.	Lead and lead compounds, which is known to the State of California to cause cancer and birth defects or other reproductive harm.
For more information go to <a href="http://www.p65warnings.ca.gov">www.p65warnings.ca.gov</a>	For more information go to <a href="http://www.p65warnings.ca.gov">www.p65warnings.ca.gov</a>

## Contractual warranty

Warranty period	18 months
-----------------	-----------

## Dimensions



## Данный компонент на территории Российской Федерации

### Вы можете приобрести в компании MosChip.

Для оперативного оформления запроса Вам необходимо перейти по данной ссылке:

<http://moschip.ru/get-element>

Вы можете разместить у нас заказ для любого Вашего проекта, будь то серийное производство или разработка единичного прибора.

В нашем ассортименте представлены ведущие мировые производители активных и пассивных электронных компонентов.

Нашей специализацией является поставка электронной компонентной базы двойного назначения, продукции таких производителей как XILINX, Intel (ex.ALTERA), Vicor, Microchip, Texas Instruments, Analog Devices, Mini-Circuits, Amphenol, Glenair.

Сотрудничество с глобальными дистрибьюторами электронных компонентов, предоставляет возможность заказывать и получать с международных складов практически любой перечень компонентов в оптимальные для Вас сроки.

На всех этапах разработки и производства наши партнеры могут получить квалифицированную поддержку опытных инженеров.

Система менеджмента качества компании отвечает требованиям в соответствии с ГОСТ Р ИСО 9001, ГОСТ РВ 0015-002 и ЭС РД 009

### Офис по работе с юридическими лицами:

105318, г.Москва, ул.Щербаковская д.3, офис 1107, 1118, ДЦ «Щербаковский»

Телефон: +7 495 668-12-70 (многоканальный)

Факс: +7 495 668-12-70 (доб.304)

E-mail: [info@moschip.ru](mailto:info@moschip.ru)

Skype отдела продаж:

moschip.ru

moschip.ru\_4

moschip.ru\_6

moschip.ru\_9