

TOSHIBA

TOSHIBA Original CMOS 8-Bit Microcontroller

TLCS-870 Series

TMP87PP21FG

TMP87PP21DFG

Not Recommended
for New Design

TOSHIBA CORPORATION

Semiconductor Company

Document Change Notification

The purpose of this notification is to inform customers about the launch of the Pb-free version of the device. The introduction of a Pb-free replacement affects the datasheet. Please understand that this notification is intended as a temporary substitute for a revision of the datasheet.

Changes to the datasheet may include the following, though not all of them may apply to this particular device.

1. Part number

Example: TMPxxxxxF TMPxxxxxFG

All references to the previous part number were left unchanged in body text. The new part number is indicated on the prelims pages (cover page and this notification).

2. Package code and package dimensions

Example: LQFP100-P-1414-0.50C LQFP100-P-1414-0.50F

All references to the previous package code and package dimensions were left unchanged in body text. The new ones are indicated on the prelims pages.

3. Addition of notes on lead solderability

Now that the device is Pb-free, notes on lead solderability have been added.

4. RESTRICTIONS ON PRODUCT USE

The previous (obsolete) provision might be left unchanged on page 1 of body text. A new replacement is included on the next page.

5. Publication date of the datasheet

The publication date at the lower right corner of the prelims pages applies to the new device.

1. Part number
2. Package code and dimensions

Previous Part Number (in Body Text)	Previous Package Code (in Body Text)	New Part Number	New Package Code	OTP
TMP87PP21F	P-QFP80-1420-0.80B	TMP87PP21FG	QFP80-P-1420-0.80B	—
TMP87PP21DF	P-LQFP80-1212-0.50A	TMP87PP21DFG	LQFP80-P-1212-0.50E	—

*: For the dimensions of the new package, see the attached Package Dimensions diagram.

3. Addition of notes on lead solderability

The following solderability test is conducted on the new device.

Lead solderability of Pb-free devices (with the G suffix)

Test	Test Conditions	Remark
Solderability	(1) Use of Lead (Pb) ·solder bath temperature = 230°C ·dipping time = 5 seconds ·the number of times = once ·use of R-type flux (2) Use of Lead (Pb)-Free ·solder bath temperature = 245°C ·dipping time = 5 seconds ·the number of times = once ·use of R-type flux	Leads with over 95% solder coverage till lead forming are acceptable.

4. RESTRICTIONS ON PRODUCT USE

The following replaces the “RESTRICTIONS ON PRODUCT USE” on page 1 of body text.

RESTRICTIONS ON PRODUCT USE

20070701-EN

<ul style="list-style-type: none"> • The information contained herein is subject to change without notice. • TOSHIBA is continually working to improve the quality and reliability of its products. Nevertheless, semiconductor devices in general can malfunction or fail due to their inherent electrical sensitivity and vulnerability to physical stress. It is the responsibility of the buyer, when utilizing TOSHIBA products, to comply with the standards of safety in making a safe design for the entire system, and to avoid situations in which a malfunction or failure of such TOSHIBA products could cause loss of human life, bodily injury or damage to property. In developing your designs, please ensure that TOSHIBA products are used within specified operating ranges as set forth in the most recent TOSHIBA products specifications. Also, please keep in mind the precautions and conditions set forth in the “Handling Guide for Semiconductor Devices,” or “TOSHIBA Semiconductor Reliability Handbook” etc. • The TOSHIBA products listed in this document are intended for usage in general electronics applications (computer, personal equipment, office equipment, measuring equipment, industrial robotics, domestic appliances, etc.). These TOSHIBA products are neither intended nor warranted for usage in equipment that requires extraordinarily high quality and/or reliability or a malfunction or failure of which may cause loss of human life or bodily injury (“Unintended Usage”). Unintended Usage include atomic energy control instruments, airplane or spaceship instruments, transportation instruments, traffic signal instruments, combustion control instruments, medical instruments, all types of safety devices, etc. Unintended Usage of TOSHIBA products listed in his document shall be made at the customer’s own risk. • The products described in this document shall not be used or embedded to any downstream products of which manufacture, use and/or sale are prohibited under any applicable laws and regulations. • The information contained herein is presented only as a guide for the applications of our products. No responsibility is assumed by TOSHIBA for any infringements of patents or other rights of the third parties which may result from its use. No license is granted by implication or otherwise under any patents or other rights of TOSHIBA or the third parties. • Please contact your sales representative for product-by-product details in this document regarding RoHS compatibility. Please use these products in this document in compliance with all applicable laws and regulations that regulate the inclusion or use of controlled substances. Toshiba assumes no liability for damage or losses occurring as a result of noncompliance with applicable laws and regulations. • For a discussion of how the reliability of microcontrollers can be predicted, please refer to Section 1.3 of the chapter entitled Quality and Reliability Assurance/Handling Precautions.
--

5. Publication date of the datasheet

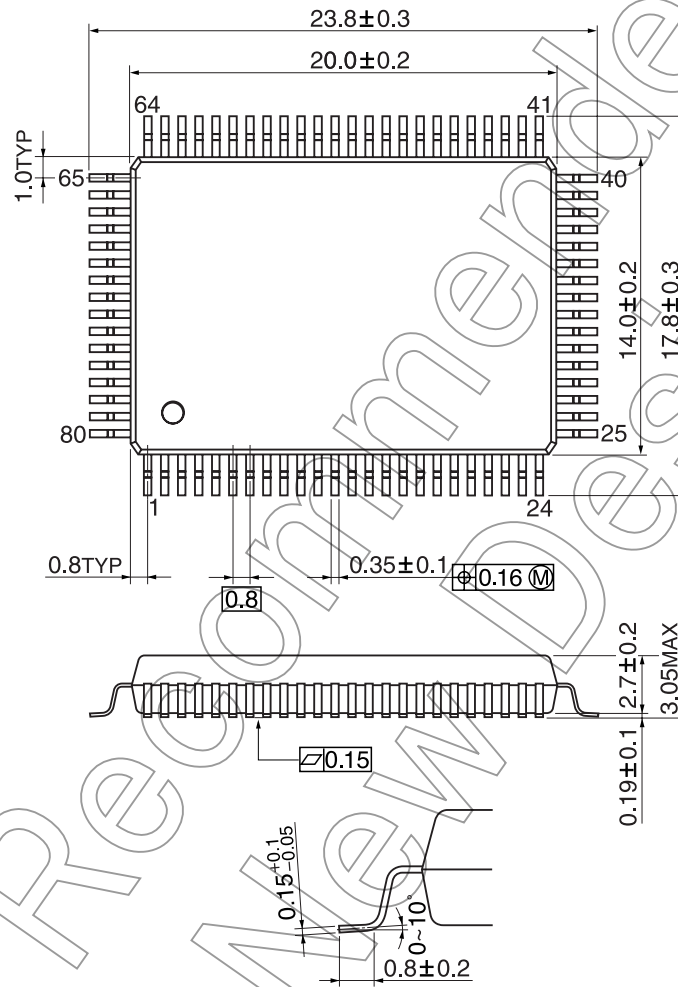
The publication date of this datasheet is printed at the lower right corner of this notification.

(Annex)

Package Dimensions

QFP80-P-1420-0.80B

Unit: mm



Not Recommended for New Design

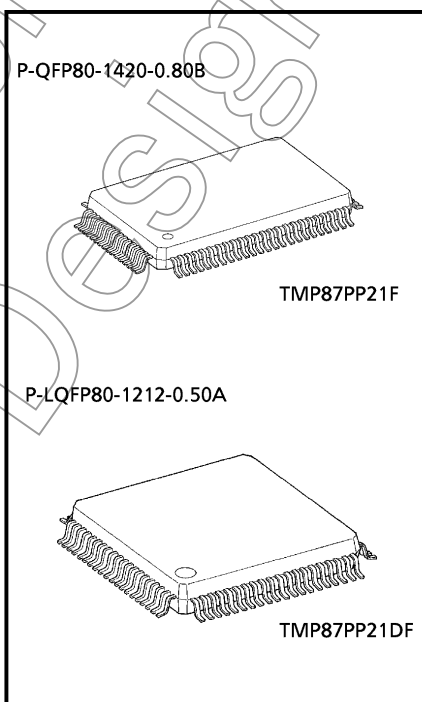
CMOS 8-Bit Microcontroller

TMP87PP21F

TMP87PP21DF

The TMP87PP21 is a One-Time PROM microcontroller with low-power 48 K × 8 bits electrically programmable read only memory for the TMP87CH21C/M21C/P21C system evaluation. The TMP87PP21 is pin compatible with the TMP87CH21C/M21C/P21C. The operations possible with the TMP87CH21C/M21C/P21C can be performed by writing programs to PROM. The TMP87PP21 can write and verify in the same way as the TC571000D using an adaptor socket BM11104/BM11105 and an EPROM programmer.

Product No.	OTP	RAM	Package	OTP Adapter
TMP87PP21F	48 K × 8 bits	2 K × 8 bits	P-QFP80-1420-0.80B	BM11104
TMP87PP21DF			P-LQFP80-1212-0.50A	BM11105

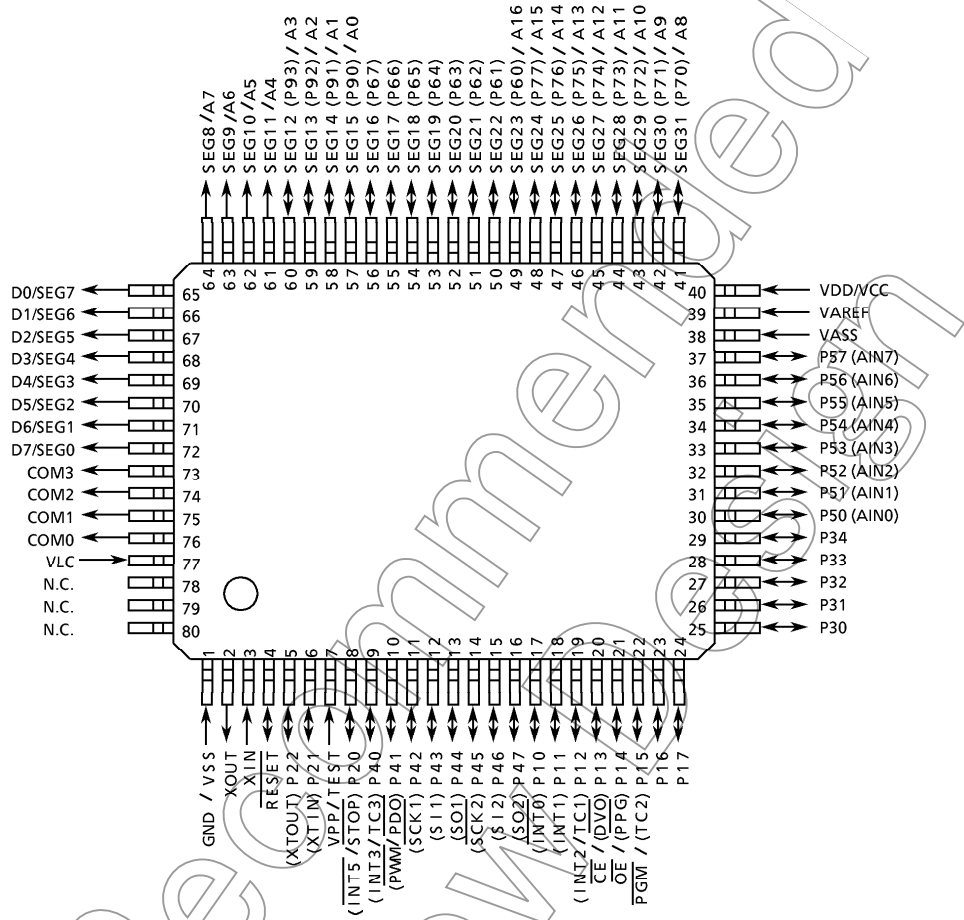


000707EBP1

- For a discussion of how the reliability of microcontrollers can be predicted, please refer to Section 1.3 of the chapter entitled Quality and Reliability Assurance/Handling Precautions.
- TOSHIBA is continually working to improve the quality and reliability of its products. Nevertheless, semiconductor devices in general can malfunction or fail due to their inherent electrical sensitivity and vulnerability to physical stress. It is the responsibility of the buyer, when utilizing TOSHIBA products, to comply with the standards of safety in making a safe design for the entire system, and to avoid situations in which a malfunction or failure of such TOSHIBA products could cause loss of human life, bodily injury or damage to property. In developing your designs, please ensure that TOSHIBA products are used within specified operating ranges as set forth in the most recent TOSHIBA products specifications. Also, please keep in mind the precautions and conditions set forth in the "Handling Guide for Semiconductor Devices," or "TOSHIBA Semiconductor Reliability Handbook" etc..
- The TOSHIBA products listed in this document are intended for usage in general electronics applications (computer, personal equipment, office equipment, measuring equipment, industrial robotics, domestic appliances, etc.). These TOSHIBA products are neither intended nor warranted for usage in equipment that requires extraordinarily high quality and/or reliability or a malfunction or failure of which may cause loss of human life or bodily injury ("Unintended Usage"). Unintended Usage include atomic energy control instruments, airplane or spaceship instruments, transportation instruments, traffic signal instruments, combustion control instruments, medical instruments, all types of safety devices, etc.. Unintended Usage of TOSHIBA products listed in this document shall be made at the customer's own risk.
- The products described in this document are subject to the foreign exchange and foreign trade laws.
- The information contained herein is presented only as a guide for the applications of our products. No responsibility is assumed by TOSHIBA CORPORATION for any infringements of intellectual property or other rights of the third parties which may result from its use. No license is granted by implication or otherwise under any intellectual property or other rights of TOSHIBA CORPORATION or others.
- The information contained herein is subject to change without notice.

Pin Assignments (Top View)

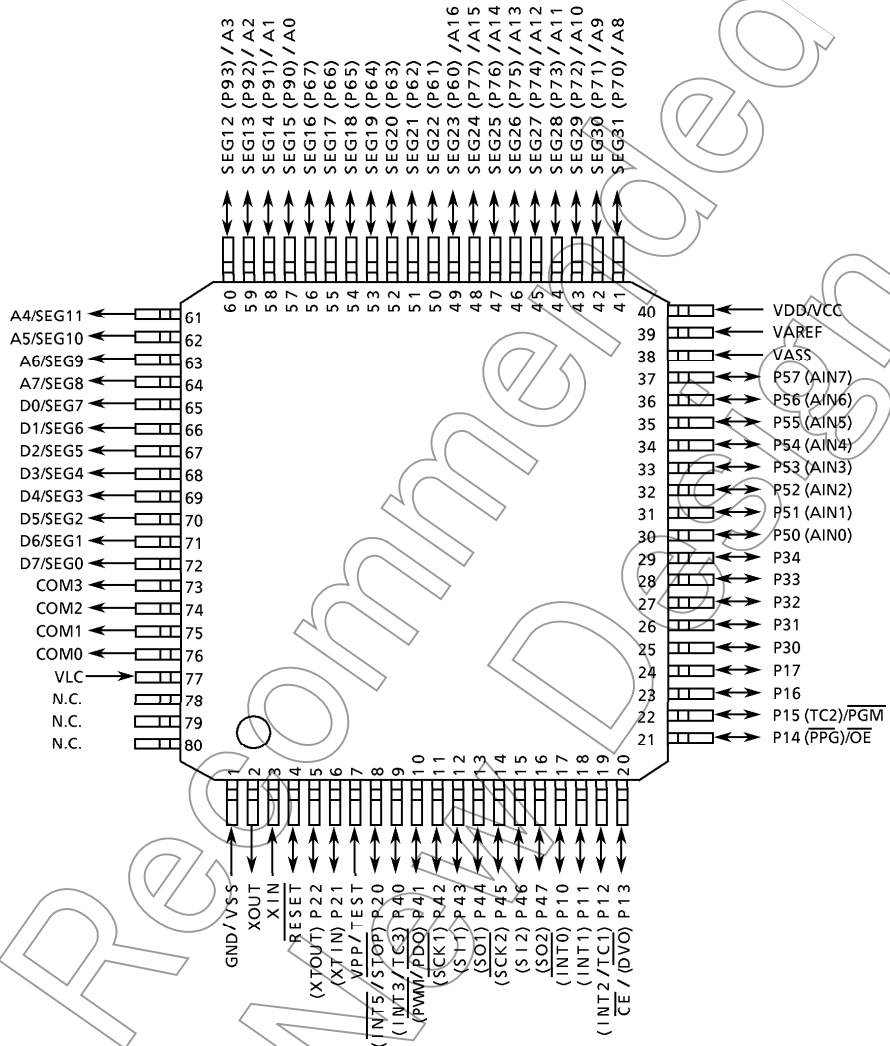
P-QFP80-1420-0.80B



Note: Always keep N.C. pins open.

Not Recommended for New Design

P-LQFP80-1212-0.50A



Note: Always keep N.C. pins open.

Not Recommended for New Design

Pin Functions

The TMP87PP21 has two modes: MCU and PROM.

(1) MCU mode

In this mode, the TMP87PP21 is pin compatible with the TMP87CH21C/M21C/P21C (fix the TEST pin at low level.)

(2) PROM mode

Pin Name (PROM mode)	Input/Output	Functions	Pin Name (MCU mode)
A16	Input	PROM address inputs	P60
A15 to A8			P77 to P70
A7 to A0			SEG8 to 11, P93 to P90
D7 to D0	I/O	PROM data input/outputs	SEG0 to SEG7
\overline{CE}	Input	Chip enable signal input (active low)	P13
\overline{OE}		Output enable signal input (active low)	P14
PGM		Program mode signal input	P15
VPP	Power supply	+ 12.75 V/5 V (Program supply voltage)	TEST
VCC		+ 6.25 V/5 V	VDD
GND		0 V	VSS
P37 to P32, P30		Pull-up with resistance for input processing.	
P47 to P40			
P57 to P50			
P67 to P62			
P11	I/O	PROM mode setting pin. Be fixed at high level.	
P21			
P31			
P61			
P17, P16, P12, P10 P22, P20		PROM mode setting pin. Be fixed at low level.	
RESET			
XIN	Input	Connect an 8 MHz oscillator to stabilize the internal state.	
XOUT	Output		
VAREF	Power supply	0 V (GND)	
VASS			
COM3 to COM0	Output	Open	
VLC	LCD driver Power supply		

Operational Description

The following explains the TMP87PP21 hardware configuration and operation. The configuration and functions of the TMP87PP21 are the same as those of the TMP87CH21C/M21C/P21C, except in that a one-time PROM is used instead of an on-chip mask ROM.

The TMP87PP21 is placed in the *single-clock* mode during reset. To use the dual-clock mode, the low-frequency oscillator should be turned on by executing [SET (SYSCR2). XTEN] instruction at the beginning of the program.

1. Operating Mode

The TMP87PP21 has two modes: MCU and PROM.

1.1 MCU mode

The MCU mode is activated by fixing the TEST/VPP pin at low level.

In the MCU mode, operation is the same as with the TMP87CH21C/M21C/P21C (the TEST/VPP pin cannot be used open because it has no built-in pull-down resistance).

Not Recommended
for New Design

1.1.1 Program Memory

The TMP87PP21 has a 48K × 8 bits (addresses 4000_H to FFFF_H in the MCU mode, addresses 14000_H to 1FFFF_H in the PROM mode) of program memory (OTP).

When the TMP87PP21 is used as a system evaluation of the TMP87CH21C/M21C/P21C, the data is written to the program storage area shown in Figure 1-1.

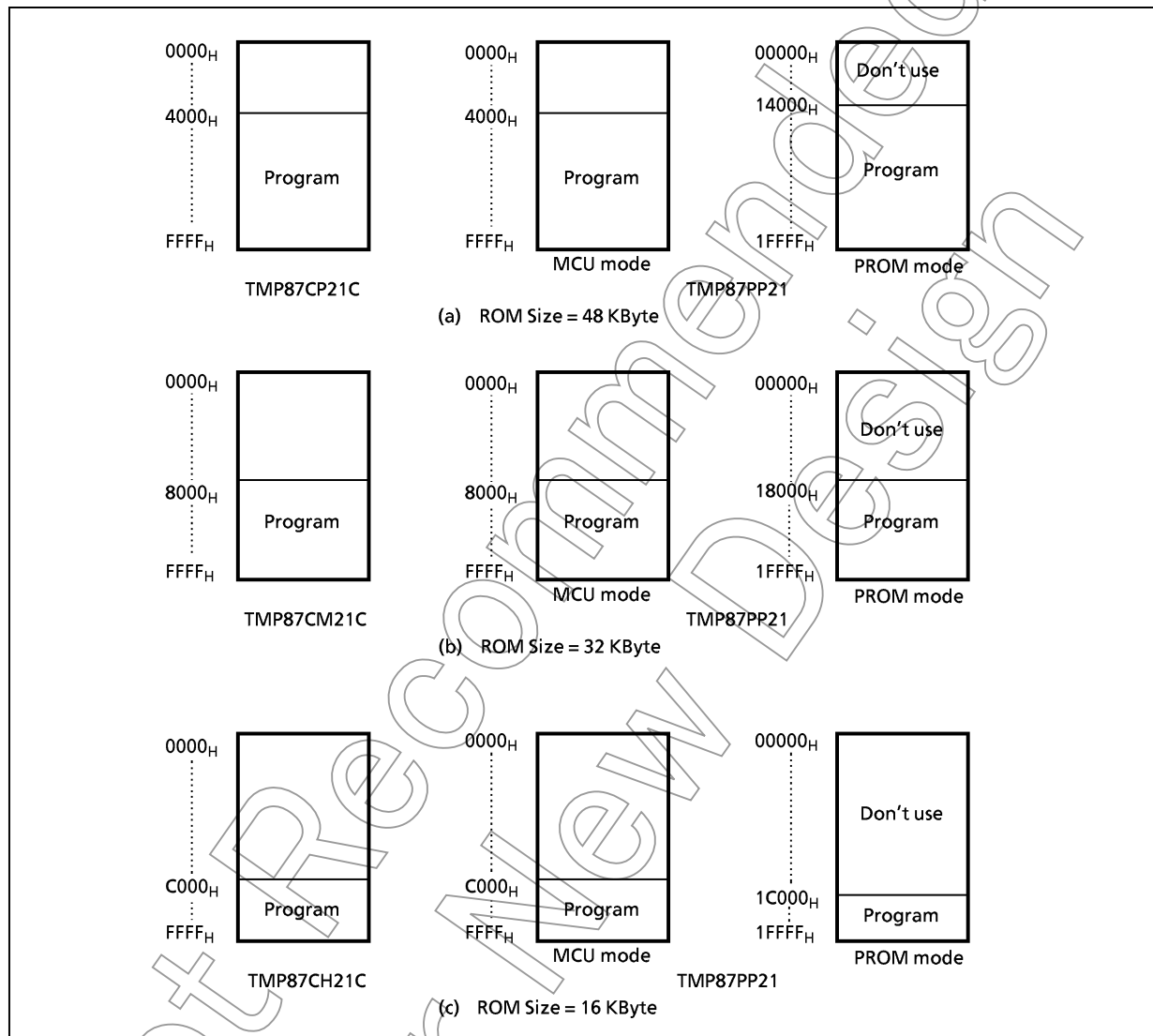


Figure 1-1. Program Storage Area

Note: Either write the data FF_H to the unused area or set the PROM programmer to access only the program storage area.

1.1.2 Data Memory

The TMP87PP21 has an on-chip 2 K × 8 bits data memory (static RAM).

1.1.3 Input/Output Circuitry

(1) Control pins

The control pins of the TMP87PP21 are the same as those of the TMP87CH21C/M21C/P21C except that the TEST pin has no built-in pull-down resistance.

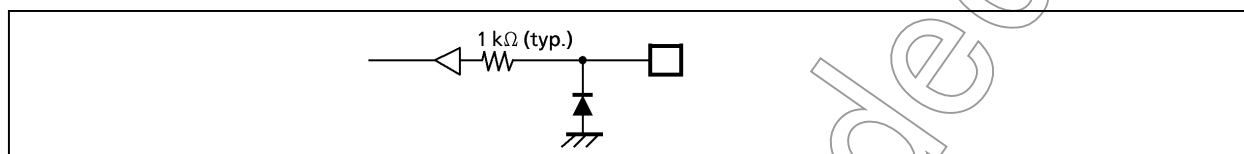


Figure 1-2. TEST pin

(2) I/O ports

The I/O circuitries of the TMP87PP21 I/O ports are the same as circuitries of the TMP87CH21C/M21C/P21C.

Not Recommended for New Design

1.2 PROM Mode

The PROM mode is activated by setting the TEST, $\overline{\text{RESET}}$ pin and the ports P17 to P10, P22 to P20 and P31, P61 as shown in Figure 1-3. The PROM mode is used to write and verify programs with a general-purpose PROM programmer.

*Note: The high-speed programming mode can be used for program operation. (Please set the high-speed programming mode according to each manual of PROM programmer.)
The TMP87PP21 is not supported an electric signature mode, so the ROM type must be set to TC571000D.*

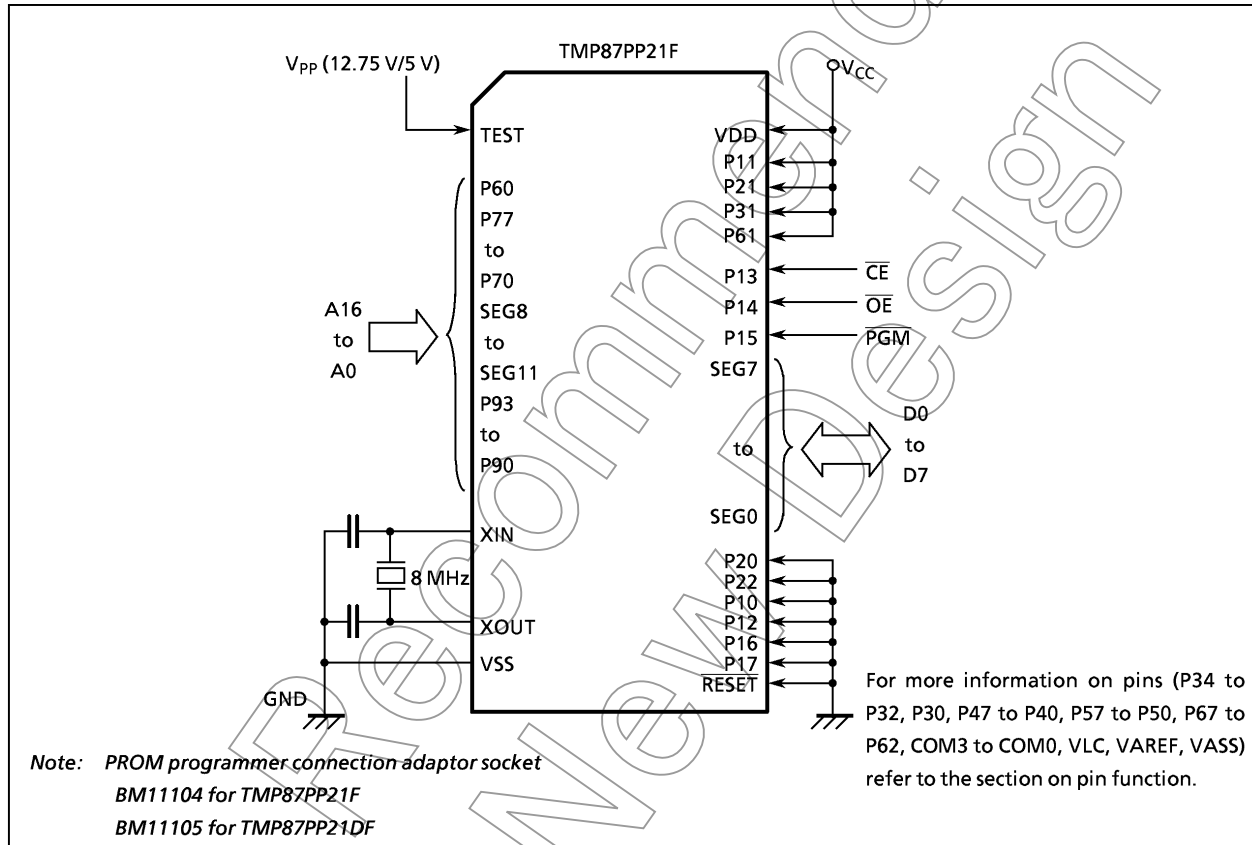


Figure 1-3. Setting for PROM Mode

1.2.1 Programming Flowchart (High-speed Programming Mode)

The high-speed programming mode is achieved by applying the program voltage (+ 12.75 V) to the VPP pin when $V_{CC} = 6.25$ V. After the address and input data are stable, the data is programmed by applying a single 0.1ms program pulse to the PGM input. The programmed data is verified. If incorrect, another 0.1 ms program pulse is applied. This process should be repeated (up to 25 times) until the program operates correctly. After that, change the address and input data, and program as before. When programming has been completed, the data in all addresses should be verified with $V_{CC} = V_{PP} = 5$ V.

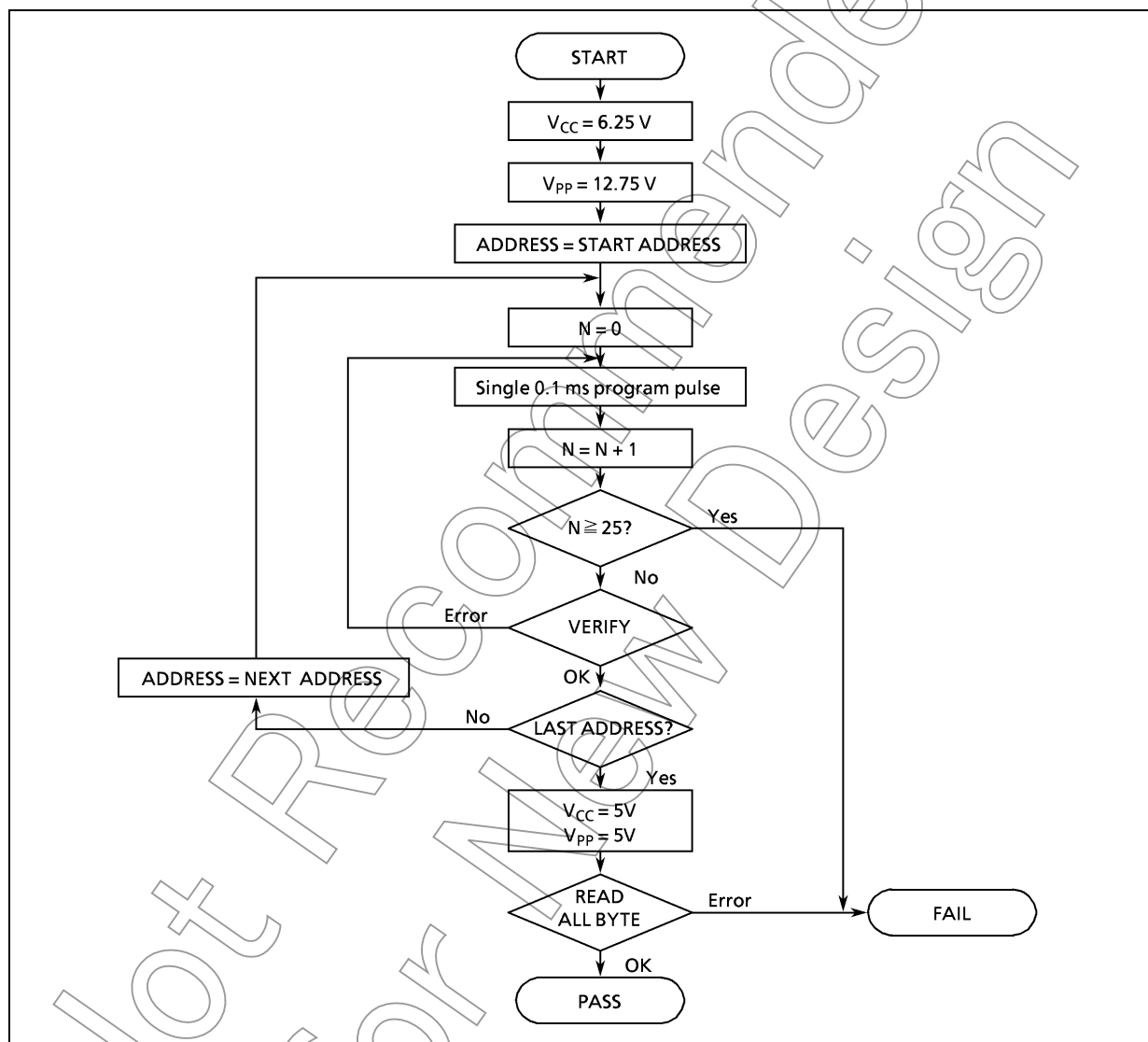


Figure 1-4. Flowchart of High-speed Programming

1.2.2 Writing Method for General-purpose PROM Program

- (1) Adapters
 - BM11104: TMP87PP21F
 - BM11105: TMP87PP21DF
- (2) Adapter setting
 - Switch (SW1) is set to side N.
- (3) PROM programmer specifying
 - i) PROM type is specified to TC571000D.
 - Writing voltage: 12.75 V (high-speed program mode)
 - ii) Data transfer (copy) (Note 1)
 - In the TMP87PP21, EPROM is within the addresses 14000_H to 1FFFF_H. Data is required to be transferred (copied) to the addresses where it is possible to write. The program area in MCU mode and PROM mode is referred to "Program memory area" in Figure 1-1.
 - Ex. In the block transfer (copy) mode, executed as below.
 - ROM capacity of 48 KB: transferred addresses 04000_H to 0FFFF_H to addresses 14000 to 1FFFF_H
 - iii) Writing address is specified. (Note 1)
 - Start address: 14000_H
 - End address: 1FFFF_H
- (4) Writing
 - Writing/Verifying is required to be executed in accordance with PROM programmer operating procedure.

Note 1: The specifying method is referred to the PROM programmer description. Either write the data FF_H to the unused area or set the PROM programmer to access only the program storage area.

Note 2: When MCU is set to an adapter or the adapter is set to PROM programmer, a position of pin 1 must be adjusted. If the setting is reversed, MCU, the adapter and PROM program is damaged.

Note 3: The TMP87PP21 does not support the electric signature mode (hereinafter referred to as "signature"). If the signature is used in PROM program, a device is damaged due to applying 12 V ± 0.5 V to the address pin 9 (A9). The signature must not be used.

Electrical Characteristics

Absolute Maximum Ratings		(V _{SS} = 0 V)		
Parameter	Symbol	Pins	Ratings	Unit
Supply Voltage	V _{DD}		- 0.3 to 6.5	V
Program Voltage	V _{PP}	TEST/V _{PP}	- 0.3 to 13.0	
Input Voltage	V _{IN}		- 0.3 to V _{DD} + 0.3	
Output Voltage	V _{OUT}		- 0.3 to V _{DD} + 0.3	
Output Current (Per 1 pin)	I _{OUT1}	Ports P0, P1, P2, P3, P5, P6, P7, P8, P9, P4 (except P41)	3.2	mA
	I _{OUT2}	P41	30	
Output Current (Total)	Σ I _{OUT1}	Ports P0, P1, P2, P3, P5, P6, P7, P8, P9, P4 (except P41)	120	
	Σ I _{OUT2}	P41	30	
Power Dissipation [T _{opr} = 70°C]	PD		350	mW
Soldering Temperature (time)	T _{slid}		260 (10 s)	°C
Storage Temperature	T _{stg}		- 55 to 125	
Operating Temperature	T _{opr}		- 30 to 70	

Note: The absolute maximum ratings are rated values which must not be exceeded during operation, even for an instant. Any one of the ratings must not be exceeded. If any absolute maximum rating is exceeded, a device may break down or its performance may be degraded, causing it to catch fire or explode resulting in injury to the user. Thus, when designing products which include this device, ensure that no absolute maximum rating value will ever be exceeded.

Recommended Operating Conditions (V_{SS} = 0 V, T_{opr} = - 30 to 70°C)

Parameter	Symbol	Pins	Conditions	Min	Max	Unit
Supply Voltage	V _{DD}		fc = 8 MHz	NORMAL1, 2 mode	4.5	5.5
				IDLE1, 2 mode		
			fc = 4.2 MHz	NORMAL1, 2 mode	2.7	
				IDLE1, 2 mode		
			fs = 32.768 kHz	SLOW mode		
				SLEEP mode	2.0	
	STOP mode	2.0				
Input High Voltage	V _{IH1}	Except hysteresis input	V _{DD} ≥ 4.5 V	V _{DD} × 0.70	V _{DD}	V
	V _{IH2}	Hysteresis input		V _{DD} × 0.75		
	V _{IH3}			V _{DD} < 4.5 V		
Input Low Voltage	V _{IL1}	Except hysteresis input	V _{DD} ≥ 4.5 V	0	V _{DD} × 0.30	
	V _{IL2}	Hysteresis input			V _{DD} × 0.25	
	V _{IL3}				V _{DD} < 4.5 V	
Clock Frequency	fc	XIN, XOUT	V _{DD} = 4.5 to 5.5 V	0.4	8.0	MHz
			V _{DD} = 2.7 to 5.5 V		4.2	
	fs	XTIN, XTOUT		30.0	34.0	kHz

Note 1: The recommended operating conditions for a device are operating conditions under which it can be guaranteed that the device will operate as specified. If the device is used under operating conditions other than the recommended operating conditions (supply voltage, operating temperature range, specified AC/DC values etc.), malfunction may occur. Thus, when designing products which include this device, ensure that the recommended operating conditions for the device are always adhered to.

Note 2: Clock frequency fc: Supply voltage range is specified in NORMAL1/2 mode and IDLE1/2 mode.

DC Characteristics

 $(V_{SS} = 0\text{ V}, T_{opr} = -30\text{ to }70^\circ\text{C})$

Parameter	Symbol	Pins	Conditions	Min	Typ.	Max	Unit
Hysteresis Voltage	V_{HS}	Hysteresis inputs		—	0.9	—	V
Input Current	I_{IN1}	TEST	$V_{DD} = 5.5\text{ V}, V_{IN} = 5.5\text{ V}/0\text{ V}$	—	—	± 2	μA
	I_{IN2}	Open drain ports and tri-state ports					
	I_{IN3}	RESET, STOP					
Input Low Current	I_{IL}	Push-pull ports	$V_{DD} = 5.5\text{ V}, V_{IN} = 0.4\text{ V}$	—	—	—2	mA
Input Resistance	R_{IN2}	RESET		100	220	450	k Ω
Output Leakage Current	I_{LO}	Open drain ports Tri-state ports	$V_{DD} = 5.5\text{ V}, V_{OUT} = 5.5\text{ V}$	—	—	2	μA
Output High Voltage	V_{OH1}	Push-pull ports P4 ports	$V_{DD} = 4.5\text{ V}, I_{OH} = -200\ \mu\text{A}$	2.4	—	—	V
	V_{OH2}	Tri-state ports P1, P5 ports	$V_{DD} = 4.5\text{ V}, I_{OH} = -0.7\text{ mA}$	4.1	—	—	
Output Low Voltage	V_{OL}	Except XOUT and P41	$V_{DD} = 4.5\text{ V}, I_{OL} = 1.6\text{ mA}$	—	—	0.4	
Output Low Current	I_{OL3}	P41	$V_{DD} = 4.5\text{ V}, V_{OL} = 1.0\text{ V}$	—	20	—	
Supply Current in NORMAL 1, 2 mode	I_{DD}		$V_{DD} = 5.5\text{ V}$ $f_c = 8\text{ MHz}$ $f_s = 32.768\text{ kHz}$ $V_{IN} = 5.3\text{ V}/0.2\text{ V}$	—	12	18	mA
Supply Current in IDLE 1, 2 mode							
Supply Current in SLOW mode							
Supply Current in SLEEP mode							
Supply Current in STOP mode							
			$V_{DD} = 3.0\text{ V}$ $f_s = 32.768\text{ kHz}$ $V_{IN} = 2.8\text{ V}/0.2\text{ V}$ LCD driver is not enable	—	30	60	μA
			$V_{DD} = 5.5\text{ V}$ $V_{IN} = 5.3\text{ V}/0.2\text{ V}$	—	0.5	10	
Segment Output Low Resistance	R_{OS1}	SEG31 to SEG0	$V_{DD} = 5\text{ V}$ $V_{DD} - V_{LC} = 3\text{ V}$	—	20	—	k Ω
Common Output Low Resistance	R_{OC1}	COM3 to COM0					
Segment Output High Resistance	R_{OS2}	SEG31 to SEG0					
Common Output High Resistance	R_{OC2}	COM3 to COM0					
Segment/Common Output Voltage	$V_{O\ 2/3}$	SEG31 to SEG0 and COM3 to COM0					
	$V_{O\ 1/2}$						
	$V_{O\ 1/3}$						
				3.8	4.0	4.2	V
				3.3	3.5	3.7	
				2.8	3.0	3.2	

Note 1: Typical values show those at $T_{opr} = 25^\circ\text{C}$, $V_{DD} = 5\text{ V}$.

Note 2: Input Current; The current through pull-up or pull-down resistor is not included.

Note 3: I_{DD} : Except for I_{REF}

Note 4: Output resistors R_{os} , R_{oc} indicate "on" when switching levels.

Note 5: $V_{O2/3}$ indicates an output voltage at the 2/3 level when operating in the 1/4 or 1/3 duty mode.

Note 6: $V_{O1/2}$ indicates an output voltage at the 1/2 level when operating in the 1/2 duty or static mode.

Note 7: $V_{O1/3}$ indicates an output voltage at the 1/3 level when operating in the 1/4 or 1/3 duty mode.

Note 8: When using LCD, it is necessary to consider values of $R_{os1/2}$ and $R_{oc1/2}$.

Note 9: Times for SEG/COM output switching on: $R_{os1}, R_{oc1}: 2^6/f_c, 2/f_s$ (s)

$R_{os2}, R_{oc2}: 1/(n, f_f)$

(1/n: duty, f_f : frame frequency)

AD Conversion Characteristics

 $(V_{SS} = 0\text{ V}, V_{DD} = 2.7\text{ to }5.5\text{ V}, T_{opr} = -30\text{ to }70^{\circ}\text{C})$

Parameter	Symbol	Conditions	Min	Typ.	Max	Unit
Analog Reference Voltage	V_{AREF}	$V_{AREF} - V_{ASS} \geq 2.5\text{ V}$	2.7	—	V_{DD}	V
	V_{ASS}		V_{SS}	—	1.5	
Analog Input Voltage	V_{AIN}		V_{ASS}	—	V_{AREF}	
Analog Supply Current	I_{REF}	$V_{AREF} = 5.5\text{ V}, V_{ASS} = 0.0\text{ V}$	—	0.5	1.0	mA
Nonlinearity Error		$V_{DD} = 5.0\text{ V}, V_{SS} = 0.0\text{ V}$ $V_{AREF} = 5.000\text{ V}$	—	—	± 1	LSB
Zero Point Error		$V_{ASS} = 0.000\text{ V}$ or	—	—	± 1	
Full Scale Error		$V_{DD} = 2.7\text{ V}, V_{SS} = 0.0\text{ V}$ $V_{AREF} = 2.700\text{ V}$	—	—	± 1	
Total Error		$V_{ASS} = 0.000\text{ V}$	—	—	± 2	

Note: Quantizing error is not contained in those errors.

AC Characteristics - 1

 $(V_{SS} = 0\text{ V}, V_{DD} = 4.5\text{ to }5.5\text{ V}, T_{opr} = -30\text{ to }70^{\circ}\text{C})$

Parameter	Symbol	Conditions	Min	Typ.	Max	Unit
Machine Cycle Time	t_{cy}	In NORMAL 1, 2 mode	0.5	—	10	μs
		In IDLE 1, 2 mode				
		In SLOW mode	117.6	—	133.3	
		In SLEEP mode				
High Level Clock Pulse Width	t_{WCH}	For external clock operation (XIN input), $f_c = 8\text{ MHz}$	62.5	—	—	ns
Low Level Clock Pulse Width	t_{WCL}					
High Level Clock Pulse Width	t_{WSH}	For external clock operation (XTIN input), $f_s = 32.768\text{ kHz}$	14.7	—	—	μs
Low Level Clock Pulse Width	t_{WSL}					

AC Characteristics - 2

 $(V_{SS} = 0\text{ V}, V_{DD} = 2.7\text{ to }5.5\text{ V}, T_{opr} = -30\text{ to }70^{\circ}\text{C})$

Parameter	Symbol	Conditions	Min	Typ.	Max	Unit
Machine Cycle Time	t_{cy}	In NORMAL 1, 2 mode	0.95	—	10	μs
		In IDLE 1, 2 mode				
		In SLOW mode	117.6	—	133.3	
		In SLEEP mode				
High Level Clock Pulse Width	t_{WCH}	For external clock operation (XIN input), $f_c = 4.2\text{ MHz}$	110	—	—	ns
Low Level Clock Pulse Width	t_{WCL}					
High Level Clock Pulse Width	t_{WSH}	For external clock operation (XTIN input), $f_s = 32.768\text{ kHz}$	14.7	—	—	μs
Low Level Clock Pulse Width	t_{WSL}					

Recommended Oscillating Condition-1

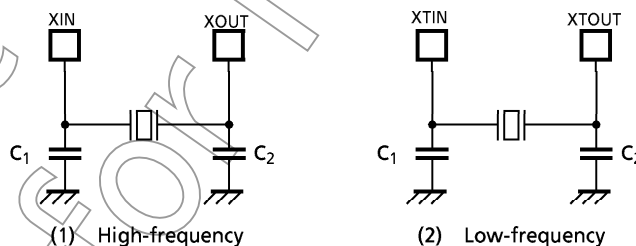
(VSS = 0 V, VDD = 4.5 to 5.5 V, Topr = - 30 to 70°C)

Parameter	Osillator	Frequency	Recommender Oscillator		Recommended Condition	
					C ₁	C ₂
High-frequency	Ceramic Resonator	8 MHz	KYOCERA	KBR8.0M	30 pF	30 pF
			Standard/Lead Type (MURATA)	CSA8.00MTZ CST8.00MTW	built-in 30 pF	built-in 30 pF
			Standard/SMP Type (MURATA)	CSAC8.00MT	30 pF	30 pF
			Standard/Small ChipType (MURATA)	CSTC8.00MT	built-in 30 pF	built-in 30 pF
	Crystal Oscillator	8 MHz	TOYOCOM	210B 8.0000	20 pF	20 pF
			TOYOCOM	204B 4.0000		
Low-frequency	Crystal Oscillator	32.768 kHz	NDK	MX-38T	15 pF	15 pF

Recommended Oscillating Condition-2

(VSS = 0 V, VDD = 2.7 to 5.5 V, Topr = - 30 to 70°C)

Parameter	Osillator	Frequency	Recommender Oscillator		Recommended Condition	
					C ₁	C ₂
High-frequency	Ceramic Resonator	4MHz	Standard/Lead Type (MURATA)	CSA4.00MG CST4.00MGW	30 pF built-in 30 pF	30 pF built-in 30 pF
			Standard/SMD Type (MURATA)	CSA4.00MGC CSAC4.00MGCM CSTC4.00MG	30 pF built-in 30 pF	30 pF built-in 30 pF
			Standard/Small Chip Type	CSTCS4.00MG	built-in 10 pF	built-in 10 pF



Note1: When used in high electric field such as a picture tube, the package is recommended to be electrically shielded to maintain a regular operation.

Note2: The product numbers and specifications of the resonators by Murata Manufacturing Co., Ltd. are subject to change. For up-to-date information, please refer to the following URL;

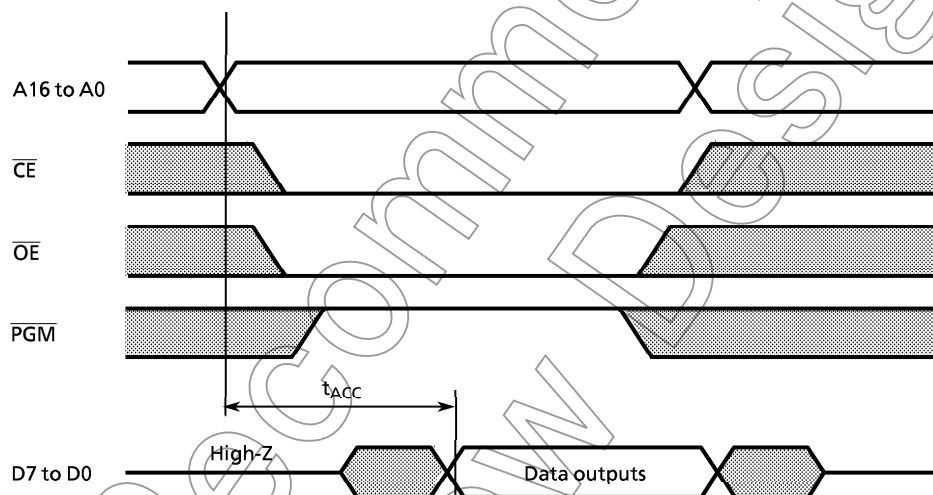
<http://www.murata.co.jp/search/index.html>

DC/AC Characteristics (PROM mode) ($V_{SS} = 0\text{ V}$)

(1) Read Operation

Parameter	Symbol	Conditions	Min	Typ.	Max	Unit
Input High Voltage	V_{IH4}		$V_{CC} \times 0.7$	—	V_{CC}	V
Input Low Voltage	V_{IL4}		0	—	$V_{CC} \times 0.12$	
Power Supply Voltage	V_{CC}		4.75	5.0	5.25	
Program Power Supply Voltage	V_{PP}					
Address Access Time	t_{ACC}	$V_{CC} = 5.0 \pm 0.25\text{ V}$	—	$1.5\text{ }t_{cyc} + 300$	—	ns

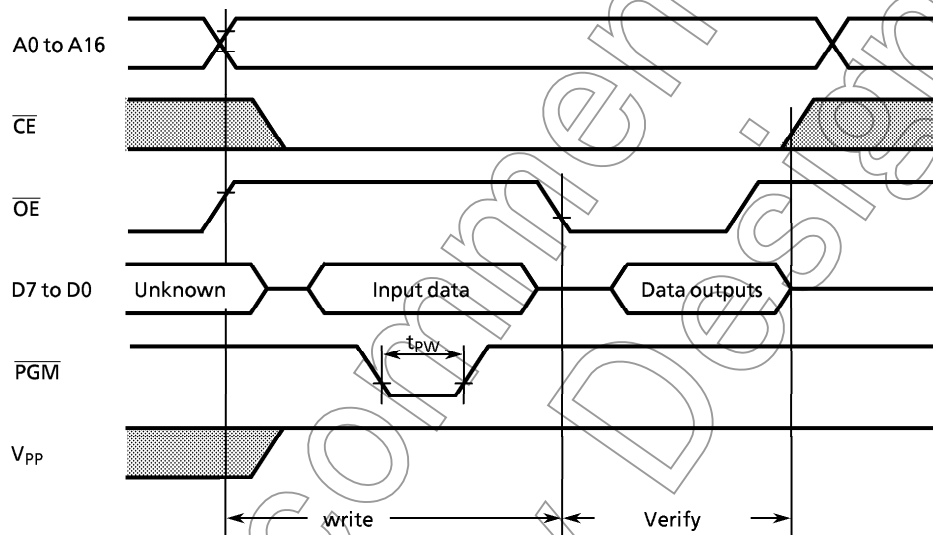
Note: $t_{cyc} = 500\text{ ns}$ at 8 MHz



Not Recommended for New Design

(2) High-Speed Programming Operation

Parameter	Symbol	Conditions	Min	Typ.	Max	Unit
Input High Voltage	V_{IH4}		$V_{CC} \times 0.7$	-	V_{CC}	V
Input Low Voltage	V_{IL4}		0	-	$V_{CC} \times 0.12$	
Power Supply Voltage	V_{CC}		6.0	6.25	6.5	
Program Power Supply Voltage	V_{PP}		12.5	12.75	13.0	
Initial Program Pulse Width	t_{PW}	$V_{CC} = 6.0\text{ V}$	0.095	0.1	0.105	ms



Note1: When V_{CC} power supply is turned on or after, V_{PP} must be increased.
 When V_{CC} power supply is turned off or before, V_{PP} must be increased.

Note2: The device must not be set to the EPROM programmer or picked up from it under applying the program voltage ($12.75\text{ V} \pm 0.25\text{ V} \approx V$) to the V_{PP} pin as the device is damaged.

Note3: Be sure to execute the recommended programming mode with the recommended programming adaptor. If a mode or an adaptor except the above, the misoperation sometimes occurs.

Not for

Данный компонент на территории Российской Федерации

Вы можете приобрести в компании MosChip.

Для оперативного оформления запроса Вам необходимо перейти по данной ссылке:

<http://moschip.ru/get-element>

Вы можете разместить у нас заказ для любого Вашего проекта, будь то серийное производство или разработка единичного прибора.

В нашем ассортименте представлены ведущие мировые производители активных и пассивных электронных компонентов.

Нашей специализацией является поставка электронной компонентной базы двойного назначения, продукции таких производителей как XILINX, Intel (ex.ALTERA), Vicor, Microchip, Texas Instruments, Analog Devices, Mini-Circuits, Amphenol, Glenair.

Сотрудничество с глобальными дистрибьюторами электронных компонентов, предоставляет возможность заказывать и получать с международных складов практически любой перечень компонентов в оптимальные для Вас сроки.

На всех этапах разработки и производства наши партнеры могут получить квалифицированную поддержку опытных инженеров.

Система менеджмента качества компании отвечает требованиям в соответствии с ГОСТ Р ИСО 9001, ГОСТ РВ 0015-002 и ЭС РД 009

Офис по работе с юридическими лицами:

105318, г.Москва, ул.Щербаковская д.3, офис 1107, 1118, ДЦ «Щербаковский»

Телефон: +7 495 668-12-70 (многоканальный)

Факс: +7 495 668-12-70 (доб.304)

E-mail: info@moschip.ru

Skype отдела продаж:

moschip.ru

moschip.ru_4

moschip.ru_6

moschip.ru_9