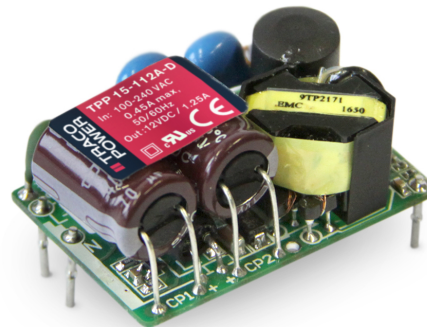


- High power density power supply (open frame)
- Certification according to IEC/EN/ES 60601-1 3rd edition for 2 x MOPP
- Low leakage current <75 μ A rated for BF applications
- EMC compliance to IEC 60601-1-2 4th edition
- Risk management process according to ISO 14971 incl. risk management file
- Acceptance criteria for electronic assemblies acc. to IPC-A-610 Level 3
- Protection class II
- Operating up to 5000 m altitude
- Ready to meet ErP directive, no load power consumption <75 mW
- 5-year product warranty



The TPP 15A-D AC/DC power supplies feature a reinforced double I/O isolation system according to medical safety standards IEC/EN/ES 60601-1 3rd edition for 2 x MOPP approved for an operating altitude of 5000 m. The earth leakage current is below 75 μ A what makes the units suitable for BF (body floating) applications. The excellent efficiency of up to 88.5% offers a high power density in the packaging format 1.0" x 1.5". The full load operating temperature range covers -40°C to +60°C while it goes up to 85°C with 50% load derating. The units operate in compliance to the medical EMC emission and immunity levels according to latest standard IEC 60601-1-2 4th edition.

Models

Order Code	Output Power max.	Output Voltage nom. (adjustable)	Output Current max.	Efficiency typ.
TPP 15-103A-D	15 W	3.3 VDC (2.97 - 3.63 VDC)	4'000 mA	84 %
TPP 15-105A-D		5 VDC (4.5 - 5.5 VDC)	3'000 mA	86 %
TPP 15-109A-D		9 VDC (8.1 - 9.9 VDC)	1'670 mA	86 %
TPP 15-112A-D		12 VDC (10.8 - 13.2 VDC)	1'250 mA	87 %
TPP 15-115A-D		15 VDC (13.5 - 16.5 VDC)	1'000 mA	87 %
TPP 15-124A-D		24 VDC (21.6 - 26.4 VDC)	625 mA	88 %
TPP 15-136A-D		36 VDC (32.4 - 39.6 VDC)	417 mA	88 %
TPP 15-148A-D		48 VDC (43.2 - 52.8 VDC)	313 mA	89 %

Note - Other output models are available on request.

Input Specifications

Input Voltage	- AC Range	85 - 264 VAC (Full Range)
	- DC Range	120 - 370 VDC (Designed for, no certification)
Input Frequency		47 - 63 Hz
Input Current	- Full Load & Vin = 230 VAC	300 mA max.
	- Full Load & Vin = 115 VAC	450 mA max.
Power Consumption	- at no Load	75 mW max. (Ready to meet ErP directive)
Input Inrush Current	- at 230 VAC	40 A max.
Input Protection		T 1.6 A / 250 VAC (Internal Fuse in L & N)

Output Specifications

Output Voltage Adjustment		±10% (By external trim resistor)
	Refer to Application Note:	www.tracopower.com/overview/tpp15a-d Output power must not exceed rated power!
Voltage Set Accuracy		±1% max.
Regulation	- Input Variation (Vmin - Vmax)	0.2% max.
	- Load Variation (0 - 100%)	0.7% max. (3.3 and 5 VDC model) 0.5% max. (other output models)
Ripple and Noise (20 MHz Bandwidth)	3.3 VDC model:	40 mVp-p typ. (with 10 µF X5R)
	5 VDC model:	40 mVp-p typ. (with 10 µF X5R)
	9 VDC model:	70 mVp-p typ. (with 10 µF X5R)
	12 VDC model:	70 mVp-p typ. (with 10 µF X5R)
	15 VDC model:	70 mVp-p typ. (with 10 µF X5R)
	24 VDC model:	100 mVp-p typ. (with 10 µF X5R)
	36 VDC model:	100 mVp-p typ. (with 10 µF X5R)
	48 VDC model:	140 mVp-p typ. (with 1 µF X7R)
Capacitive Load	3.3 VDC model:	6'000 µF max.
	5 VDC model:	4'000 µF max.
	9 VDC model:	1'860 µF max.
	12 VDC model:	1'200 µF max.
	15 VDC model:	820 µF max.
	24 VDC model:	470 µF max.
	36 VDC model:	220 µF max.
48 VDC model:	150 µF max.	
Minimum Load		Not required
Temperature Coefficient		±0.02 %/K max.
Hold-up Time	- at 115 VAC	8 ms min.
Start-up Time	- at 230 VAC	500 ms max.
Short Circuit Protection		Continuous, Automatic recovery
Output Current Limitation		120 - 200% of Iout max.
		145% typ. of Iout max.
Overvoltage Protection		125 - 140% of Vout nom.
Transient Response	- Response Deviation	8% max. (75% to 100% Load Step)
	- Response Time	500 µs typ. (75% to 100% Load Step)

All specifications valid at nominal input voltage, full load and +25°C after warm-up time unless otherwise stated.

Safety Specifications

Safety Standards	- IT / Multimedia Equipment	EN 62368-1 IEC 62368-1 UL 62368-1
	- Household	IEC 60335-1
	- Medical Equipment	EN 60601-1 IEC 60601-1 ANSI/AAMI ES 60601-1
	- Power Transformers	2 x MOPP (Means Of Patient Protection) IEC 61558-1 IEC 61558-2-16
	- Certification Documents	www.tracopower.com/overview/tpp15a-d
Protection Class	Class II Prepared: Reinforced Insulation	
Pollution Degree	PD 2	
Over Voltage Category	OVC II	

EMC Specifications

EMC Emissions	- Conducted Emissions	EN 60601-1-2 edition 4 (Medical Devices) EN 55011 class B (internal filter) EN 55014-1 EN 55032 class B (internal filter) FCC Part 15, class B FCC Part 18, class B
	- Radiated Emissions	EN 55011 class B (internal filter) EN 55014-1 EN 55032 class B (internal filter) FCC Part 15, class B FCC Part 18, class B
	- Harmonic Current Emissions	EN 61000-3-2, class A
	- Voltage Fluctuations & Flicker	EN 61000-3-3
	EMC Immunity	EN 55024 (IT Equipment) EN 60601-1-2 edition 4 (Medical Devices) EN 55014-2 (Household Appliances Tools)
- Electrostatic Discharge	Air: EN 61000-4-2, ±15 kV, perf. criteria A Contact: EN 61000-4-2, ±8 kV, perf. criteria A EN 61000-4-3, 20 V/m, perf. criteria A EN 61000-4-4, ±2 kV, perf. criteria A	
- RF Electromagnetic Field	L to L: EN 61000-4-5, ±1 kV, perf. criteria A	
- EFT (Burst)	EN 61000-4-6, 20 Vrms, perf. criteria A	
- Surge	EN 61000-4-8, 30 A/m, perf. criteria A	
- Conducted RF Disturbances	230 VAC / 50 Hz: EN 61000-4-11 30%, 25 periods, perf. criteria A 60%, 1 period, perf. criteria A >95%, 1 period, perf. criteria A >95%, 250 periods, perf. criteria A	
- PF Magnetic Field	115 VAC / 60 Hz: EN 61000-4-11 30%, 25 periods, perf. criteria A 60%, 1 period, perf. criteria A >95%, 1 period, perf. criteria A >95%, 250 periods, perf. criteria A	
- Voltage Dips & Interruptions		

General Specifications

Relative Humidity	95% max. (non condensing)	
Temperature Ranges	- Operating Temperature	-40°C to +85°C
	- Storage Temperature	-40°C to +85°C

All specifications valid at nominal input voltage, full load and +25°C after warm-up time unless otherwise stated.

Power Derating	- High Temperature - Low Input Voltage	see application note www.tracopower.com/overview/tpp15a-d 4 %/V below 90 VAC
Cooling System		Natural convection (20 LFM)
Altitude During Operation		5'000 m max.
Switching Frequency		75 - 95 kHz (PWM)
Insulation System		Reinforced Insulation
Working Voltage (rated)		250 VAC
Isolation Test Voltage	- Input to Output, 60 s - Input to Case or PE, 60 s - Output to Case or PE, 60 s	5'657 VDC 2'121 VDC 2'121 VDC
Creepage	- Input to Output	8 mm min.
Clearance	- Input to Output	8 mm min.
Isolation Resistance	- Input to Output, 500 VDC	100 MOhm min.
Leakage Current (264 VAC)	- Touch Current	75 µA max.
Reliability	- Calculated MTBF	3'100'000 h (MIL-HDBK-217F, ground benign)
Environment	- Vibration - Mechanical Shock	IEC 60068-2-6 IEC 60068-2-27
Connection Type		THD (Through-Hole Device)
Weight		16.5 g
Environmental Compliance	- Reach - RoHS	www.tracopower.com/info/reach-declaration.pdf www.tracopower.com/info/rohs-declaration.pdf

Supporting Documents

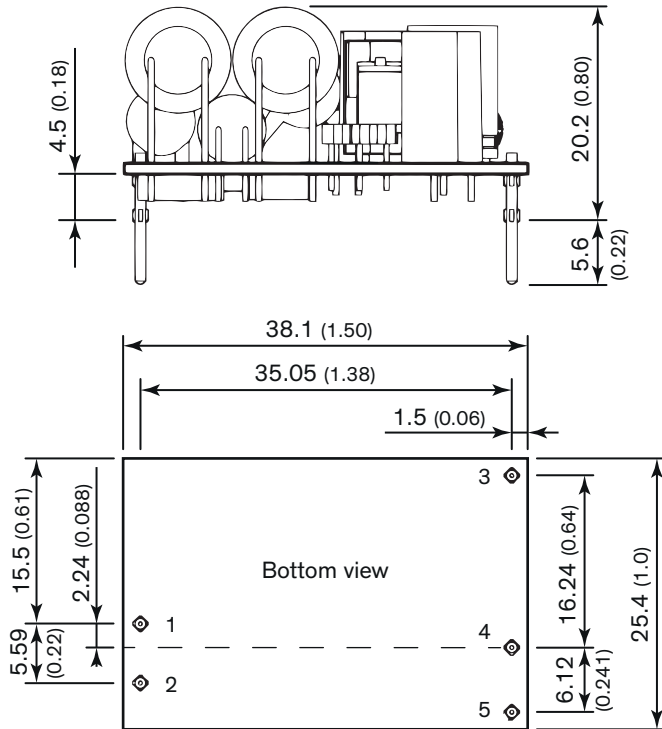
Overview Link (for additional Documents)

www.tracopower.com/overview/tpp15a-d

All specifications valid at nominal input voltage, full load and +25°C after warm-up time unless otherwise stated.

Outline Dimensions

12, 15, 24, 36, and 48 VDC models - without heatsink



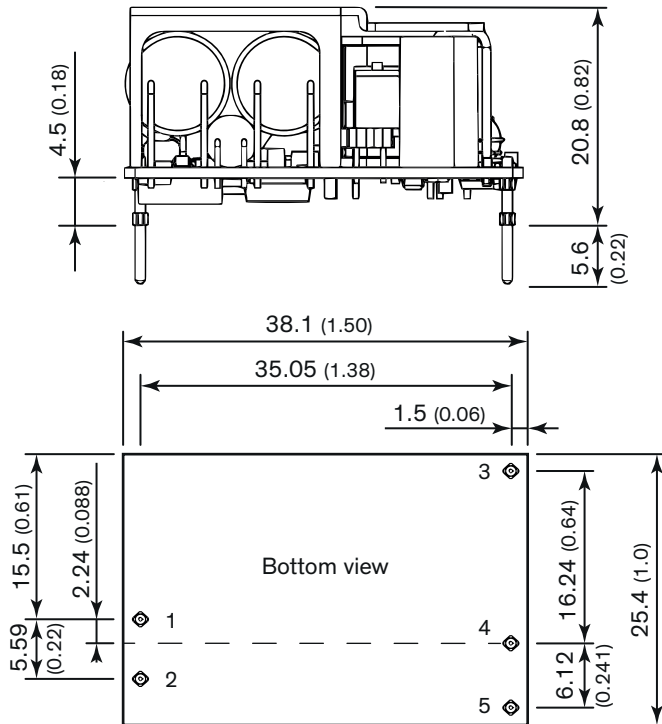
PCB Pinout	
Pin	Function
1	Neutral
2	Line
3	Trim
4	-Vout
5	+Vout

Print thickness: 1.0 mm (0.04 inch)
 Pin diameter: 1.0 mm (0.04 inch)

Dimension in mm, () = inch
 Tolerances: x.x ±0.50 (±0.02)
 x.xx ±0.25 (±0.01)
 Pin pitch tolerance: ±0.25 (±0.010)
 Pin dimension tolerance: ±0.10 (±0.004)

All specifications valid at nominal input voltage, full load and +25°C after warm-up time unless otherwise stated.

3.3, 5, and 9 VDC models - with heatsink



PCB Pinout	
Pin	Function
1	Neutral
2	Line
3	Trim
4	-Vout
5	+Vout

Print thickness: 1.0 mm (0.04 inch)
 Pin diameter: 1.0 mm (0.04 inch)

Dimension in mm, () = inch
 Tolerances: x.x ± 0.50 (± 0.02)
 x.xx ± 0.25 (± 0.01)
 Pin pitch tolerance: ± 0.25 (± 0.010)
 Pin dimension tolerance: ± 0.10 (± 0.004)

Данный компонент на территории Российской Федерации

Вы можете приобрести в компании MosChip.

Для оперативного оформления запроса Вам необходимо перейти по данной ссылке:

<http://moschip.ru/get-element>

Вы можете разместить у нас заказ для любого Вашего проекта, будь то серийное производство или разработка единичного прибора.

В нашем ассортименте представлены ведущие мировые производители активных и пассивных электронных компонентов.

Нашей специализацией является поставка электронной компонентной базы двойного назначения, продукции таких производителей как XILINX, Intel (ex.ALTERA), Vicor, Microchip, Texas Instruments, Analog Devices, Mini-Circuits, Amphenol, Glenair.

Сотрудничество с глобальными дистрибьюторами электронных компонентов, предоставляет возможность заказывать и получать с международных складов практически любой перечень компонентов в оптимальные для Вас сроки.

На всех этапах разработки и производства наши партнеры могут получить квалифицированную поддержку опытных инженеров.

Система менеджмента качества компании отвечает требованиям в соответствии с ГОСТ Р ИСО 9001, ГОСТ РВ 0015-002 и ЭС РД 009

Офис по работе с юридическими лицами:

105318, г.Москва, ул.Щербаковская д.3, офис 1107, 1118, ДЦ «Щербаковский»

Телефон: +7 495 668-12-70 (многоканальный)

Факс: +7 495 668-12-70 (доб.304)

E-mail: info@moschip.ru

Skype отдела продаж:

moschip.ru

moschip.ru_4

moschip.ru_6

moschip.ru_9