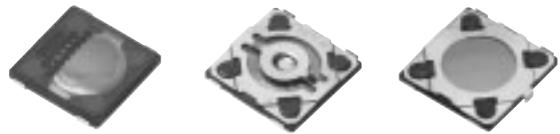


4 mm Square SMD Light Touch Switches

Type: **EVQP6/EVQ6P6/EVQ7P6/EVQ9P6**



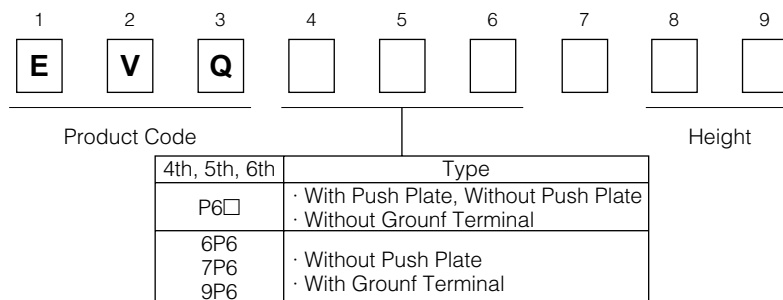
■ Features

- External dimensions : 4.1 mm×4.1 mm
Height :Without Push Plate 0.35 mm, With Push Plate 0.58 mm
:Without Push Plate-With Ground Terminal 0.43 mm
- Long-life :1000000 cycles min.
(Operating Force 1.6 N Type)
- Dust-proof structure

■ Recommended Applications

- Operating switches for portable electronic equipment
(Mobile phones, Camcorders, Portable audio players, etc.).

■ Explanation of Part Numbers



■ Product Chart

| Height Packaging Operating Force | Without Push Plate H=0.35 mm | With Push Plate H=0.58 mm | Without Push Plate With Ground Terminal H=0.43 mm |
|--|---------------------------------|------------------------------|---|
| | Embossed | Embossed | Embossed |
| 1.0 N | — | — | EVQ7P6 |
| 1.6 N | EVQP6D | EVQP6L | EVQ6P6 |
| 2.4 N | EVQP6P | EVQP6Y | EVQ9P6 |

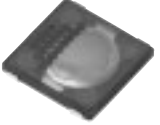
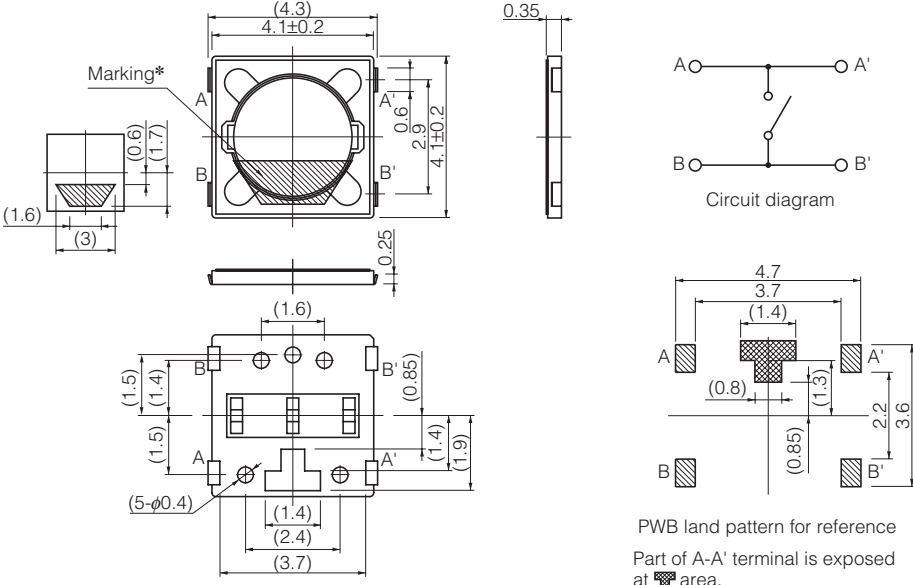
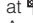

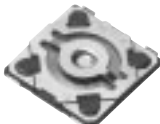
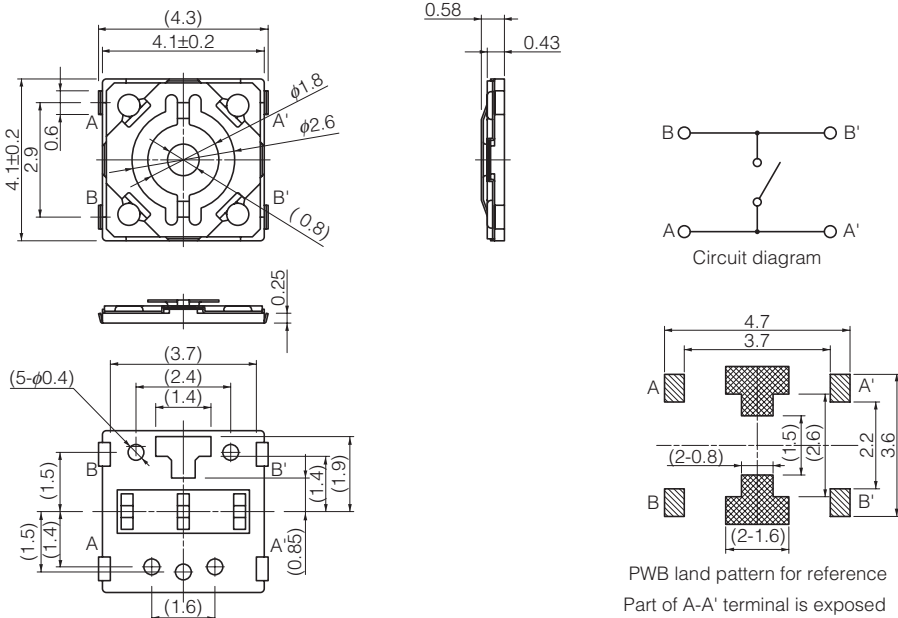
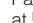

■ Specifications

| Type | | Snap action / Push-on type SPST | |
|-------------------------------|---------------------------------|--|-----------------|
| | | Without Push Plate | With Push Plate |
| Electrical | Rating | 10 μ A 2 Vdc to 20 mA 15 Vdc (Resistive load) | |
| | Contact Resistance | 500 m Ω max. | |
| | Insulation Resistance | 50 M Ω min. | |
| | Dielectric Withstanding Voltage | 100 Vac for 1 minute | |
| | Bouncing | 3 ms max. (ON) 10 ms max. (OFF) | |
| Mechanical | Operating Force | 1.0 N, 1.6 N, 2.4 N | |
| | Travel | 0.2 mm (EVQ7P6 : 0.15 mm) | |
| Endurance | Operating Life | 1.0 N, 1.6 N : 1000000 cycles min. 2.4 N : 500000 cycles min. | |
| Operating Temperature | | -20 °C to +70 °C | |
| Storage Temperature | | -40 °C to +85 °C (Bulk) -20 °C to +60 °C (Taping) | |
| Minimum Quantity/Packing Unit | | 10000 pcs. Embossed Taping (Reel Pack) | |
| Quantity/Carton | | 50000 pcs. | |

Note: Non washable

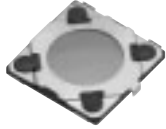
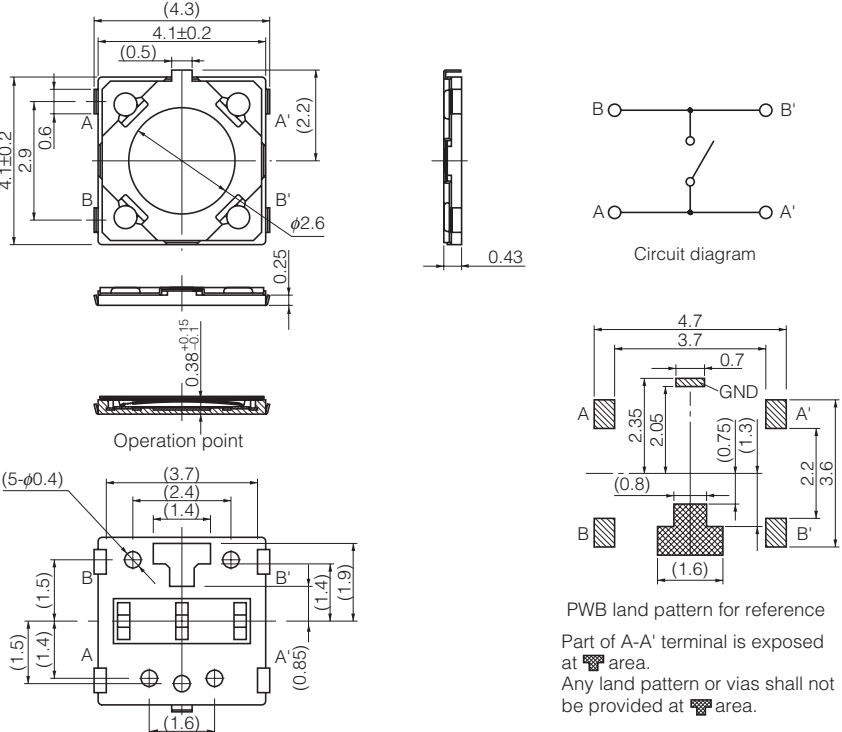

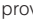
Design and specifications are each subject to change without notice. Ask factory for the current technical specifications before purchase and/or use.
Should a safety concern arise regarding this product, please be sure to contact us immediately.

■ Dimensions in mm (not to scale)

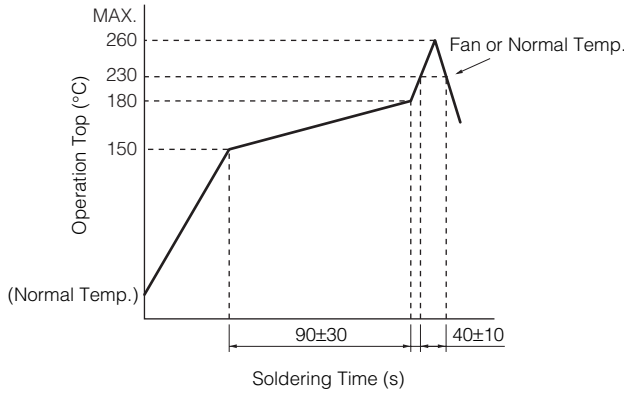
| | | | |
|---|---|---|--|
| <p>No. 1</p> <p>EVQP6D EVQP6P</p> <p>(Embossed Taping)</p> <p>Surface mount For reflow soldering Without push plate</p>  |  <p>*Marking varies according to push force.</p> <p>Circuit diagram</p> <p>PWB land pattern for reference Part of A-A' terminal is exposed at  area. Any land pattern or vias shall not be provided at  area.</p> | | |
| <p>Part Numbers</p> <p>EVQP6DB35</p> <p>EVQP6PB35</p> | <p>Operating Force</p> <p>1.6 N</p> <p>2.4 N</p> | <p>Height</p> <p>0.35 mm</p> <p>0.35 mm</p> | <p>Operating Life</p> <p>1000000 cycles</p> <p>500000 cycles</p> |
| <p>No. 2</p> <p>EVQP6L EVQP6Y</p> <p>(Embossed Taping)</p> <p>Surface mount For reflow soldering With push plate</p>  |  <p>Circuit diagram</p> <p>PWB land pattern for reference Part of A-A' terminal is exposed at  area. Any land pattern or vias shall not be provided at  area.</p> | | |
| <p>Part Numbers</p> <p>EVQP6LB55</p> <p>EVQP6YB55</p> | <p>Operating Force</p> <p>1.6 N</p> <p>2.4 N</p> | <p>Height</p> <p>0.58 mm</p> <p>0.58 mm</p> | <p>Operating Life</p> <p>1000000 cycles</p> <p>500000 cycles</p> |

Design and specifications are each subject to change without notice. Ask factory for the current technical specifications before purchase and/or use.
Should a safety concern arise regarding this product, please be sure to contact us immediately.

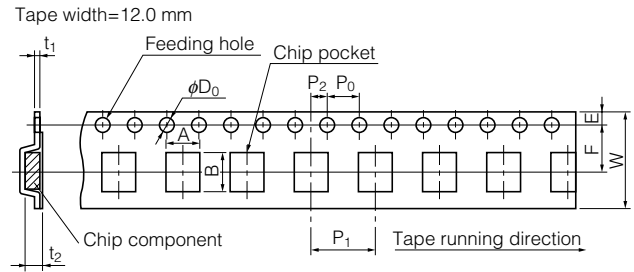
■ Dimensions in mm (not to scale)

| | | | |
|---|--|---------|----------------|
| <p>No. 3</p> <p>EVQ7P6 EVQ6P6 EVQ9P6</p> <p>(Embossed Taping)</p> <p>Surface mount For reflow soldering Without push plate With Ground Terminal</p>  |  <p>Operation point</p> <p>Circuit diagram</p> <p>PWB land pattern for reference Part of A-A' terminal is exposed at  area. Any land pattern or vias shall not be provided at  area.</p> | | |
| Part Numbers | Operating Force | Height | Operating Life |
| EVQ7P6B40 | 1.0 N | 0.43 mm | 1000000 cycles |
| EVQ6P6B40 | 1.6 N | 0.43 mm | 1000000 cycles |
| EVQ9P6B40 | 2.4 N | 0.43 mm | 500000 cycles |

Recommended Reflow Soldering Conditions



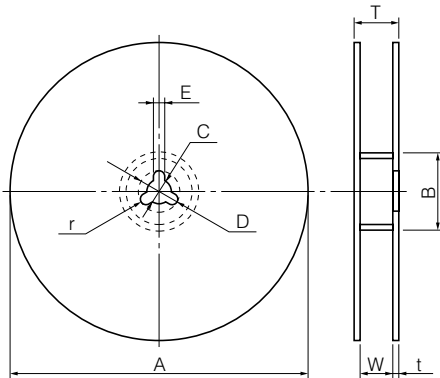
Embossed Carrier Taping



Unit: mm

| Part No. | Height | A | B | W | F | E | P ₁ | P ₂ | P ₀ | D ₀ Dia. | t ₁ | t ₂ |
|----------|-----------|---------|---------|--------------------------------------|---------|-----------|----------------|----------------|----------------|-----------------------------------|----------------|---|
| EVQP6 | 0.35/0.58 | 4.0±0.2 | 5.0±0.2 | 12.0 ^{+0.3} _{-0.1} | 5.5±0.1 | 1.75±0.10 | 8.0±0.1 | 2.0±0.1 | 4.0±0.1 | 1.5 ^{+0.1} ₋₀ | 0.30±0.05 | 0.5/0.7 ^{+0.2} _{-0.1} |
| EVQ6P6 | 0.43 | | | | | | | | | | | |
| EVQ7P6 | | | | | | | | | | | | |
| EVQ9P6 | | | | | | | | | | | | |

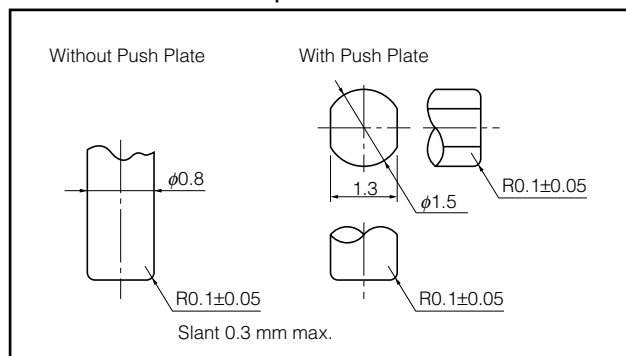
Standard Reel Dimensions in mm (not to scale)



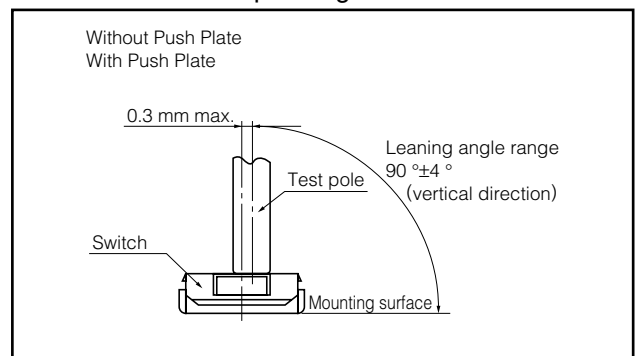
| Item | A | B | C | D | E |
|-----------|------------|-----------|-----------|-----------|---------|
| Rate (mm) | φ380.0±2.0 | φ80.0±1.0 | φ13.0±0.5 | φ21.0±1.0 | 2.0±0.5 |

| Item | W | T | t | r |
|-----------|----------|----------|------------|---------|
| Rate (mm) | 13.5±1.5 | 17.5±1.0 | 1.0 to 3.0 | 1.0±0.5 |

Recommended Shape of Test Pole



Recommended Operating Conditions



Design and specifications are each subject to change without notice. Ask factory for the current technical specifications before purchase and/or use. Should a safety concern arise regarding this product, please be sure to contact us immediately.

00 Oct. 2012

Данный компонент на территории Российской Федерации

Вы можете приобрести в компании MosChip.

Для оперативного оформления запроса Вам необходимо перейти по данной ссылке:

<http://moschip.ru/get-element>

Вы можете разместить у нас заказ для любого Вашего проекта, будь то серийное производство или разработка единичного прибора.

В нашем ассортименте представлены ведущие мировые производители активных и пассивных электронных компонентов.

Нашей специализацией является поставка электронной компонентной базы двойного назначения, продукции таких производителей как XILINX, Intel (ex.ALTERA), Vicor, Microchip, Texas Instruments, Analog Devices, Mini-Circuits, Amphenol, Glenair.

Сотрудничество с глобальными дистрибьюторами электронных компонентов, предоставляет возможность заказывать и получать с международных складов практически любой перечень компонентов в оптимальные для Вас сроки.

На всех этапах разработки и производства наши партнеры могут получить квалифицированную поддержку опытных инженеров.

Система менеджмента качества компании отвечает требованиям в соответствии с ГОСТ Р ИСО 9001, ГОСТ РВ 0015-002 и ЭС РД 009

Офис по работе с юридическими лицами:

105318, г.Москва, ул.Щербаковская д.3, офис 1107, 1118, ДЦ «Щербаковский»

Телефон: +7 495 668-12-70 (многоканальный)

Факс: +7 495 668-12-70 (доб.304)

E-mail: info@moschip.ru

Skype отдела продаж:

moschip.ru

moschip.ru_4

moschip.ru_6

moschip.ru_9