

MICRO SWITCH
a Honeywell Division

FED. MFG. CODE 91929

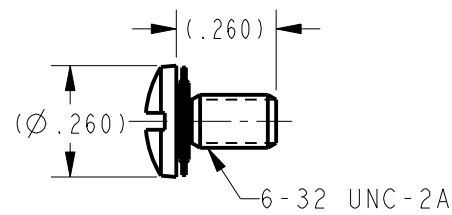
PACKET

CATALOG LISTING

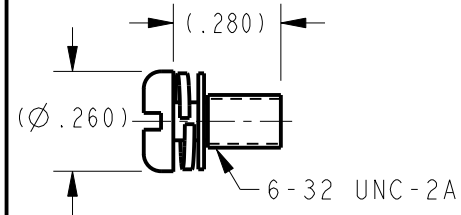
19PA-TL SERIES CHART 1

THIS DRAWING COVERS A PROPRIETARY ITEM AND IS THE PROPERTY OF MICRO SWITCH. A DIVISION OF HONEYWELL. THIS DRAWING IS NOT TO BE COPIED OR USED WITHOUT THE APPROVAL OF MICRO SWITCH

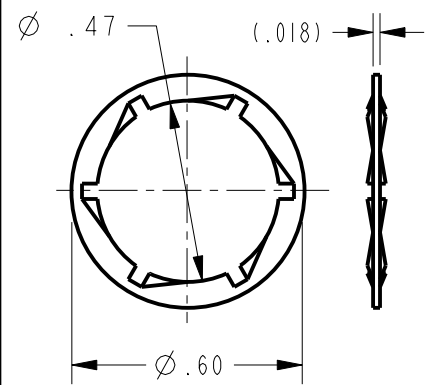
HEX NUT	LOCKING RING	LOCKWASHER	SCREW LOCK WASHER	DRESS NUT OR BUTTON	CATALOG LISTING
TL-10632 (2)	EN-12449 (1)	TS-10013 (1)	TL-10090 (12)	TS-10390 (1)	19PA44-TL
HT-10025 (2)	EN-12449 (1)	TS-10013 (1)	TL-10090 (3)		19PA113-TL
HT-10025 (2)	EN-12449 (1)	TS-10013 (1)			19PA39-TL
TL-10632 (1)	EN-12449 (1)	TS-10013 (1)	TS-10090 (3)	TS-10390 (1)	19PA229-TL
TL-10632 (1)	EN-12449 (1)	TS-10013 (1)	TL-10090 (6)	TS-10390 (1)	19PA230-TL



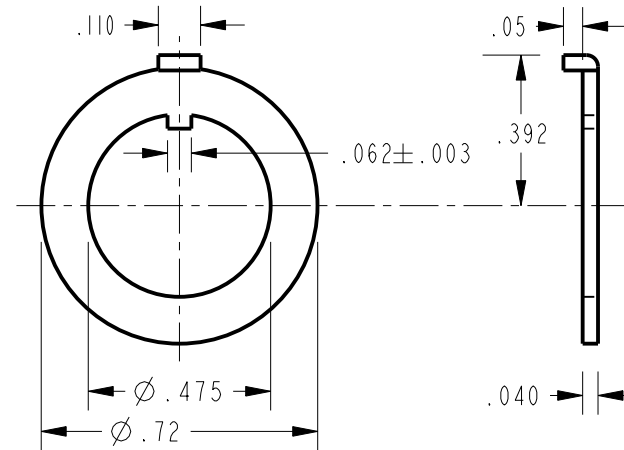
SCREW, LOCKWASHER
(PART NO. TL-10090)
BRASS-TIN PLATED



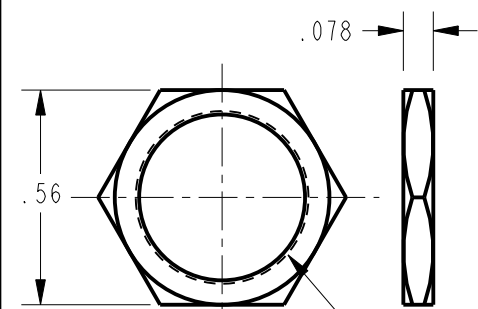
SCREW, LOCKWASHER
(PART NO. TL-10122)
STEEL-TIN PLATED



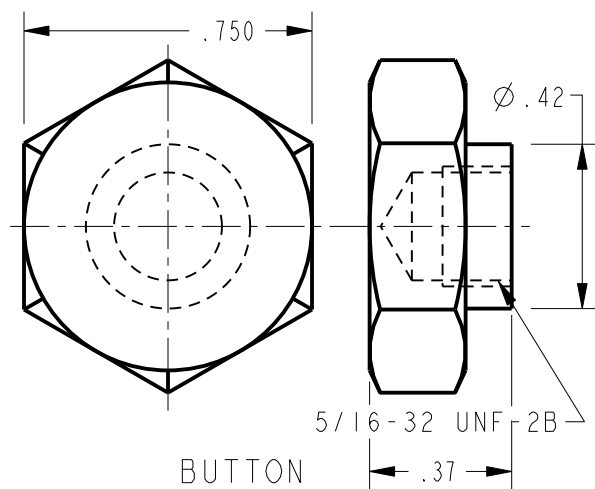
LOCKWASHER
(PART NO. TS-10398) CAD
PLATE-C.R. STEEL



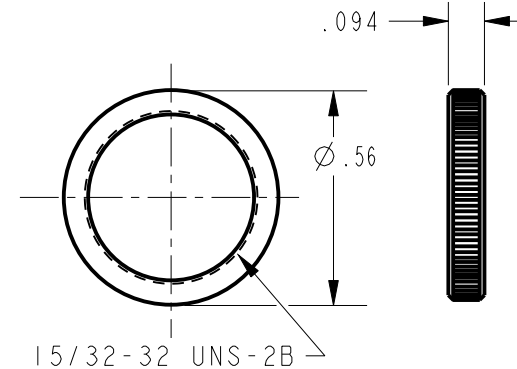
LOCKING RING
(PART NO. EN-12449) SST TYPE 304
(PART NO. ET-11219) CAD PLATE C.R. STEEL



15/32-32 UNS-2B
HEX NUT
(PART NO. TL-10632) NICKEL PLATE-MATTE
(PART NO. HT-10025) SST-TYPE 303
(PART NO. TS-10087) NICKEL PLATE
BRIGHT BRASS



5/16-32 UNF-2B
BUTTON
(PART NO. TL-10547) BRASS-NICKEL PLATE



15/32-32 UNS-2B
KNURLED NUT
(PART NO. TS-10390) NICKEL PLATE
BRIGHT BRASS

CATALOG LISTING 19PA-TL SERIES CHART 1

REPLACES

27OCT05

RELEASE NO. PR-10250

BP

27OCT05

BP

18

BP

27OCT05

BP

27OCT05

BP

27OCT05

BP

27OCT05

REVISIONS
A 201810 G J W 28NOV00
B 205171 TSM 22MAR02
C 0011172 DVM 10FEB05
D 0016335 PM 27OCT05
E 0017108 DVM 23NOV05
F 0017354 DVM 28NOV05

FOR FACTORY USE ONLY

ANSI Y14.5M-1982 APPLIES

THIRD ANGLE PROJECTION	
SCALE	2 : 1
DO NOT SCALE PRINT	
UNLESS OTHERWISE SPECIFIED TOLERANCES ARE	
ONE PLACE	(.0) ±.030
TWO PLACE	(.00) ±.015
THREE PLACE	(.000) ±.005
ANGLES	±
WEIGHT	

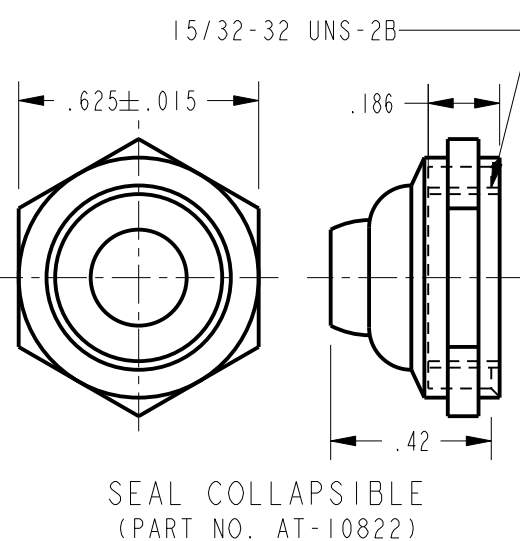
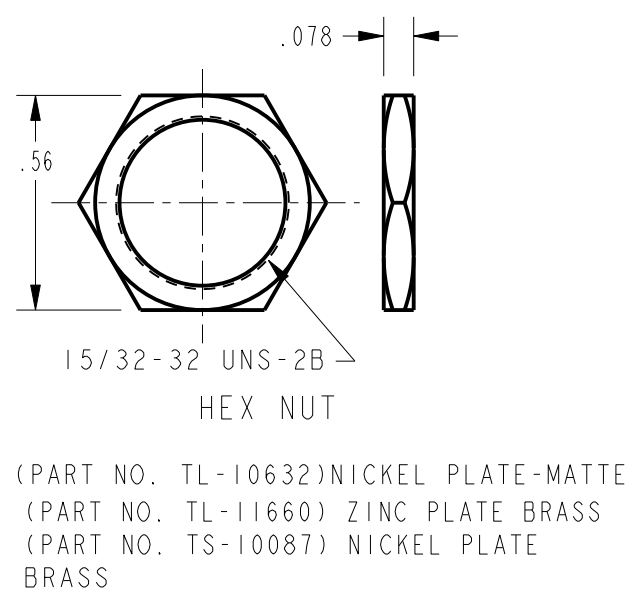
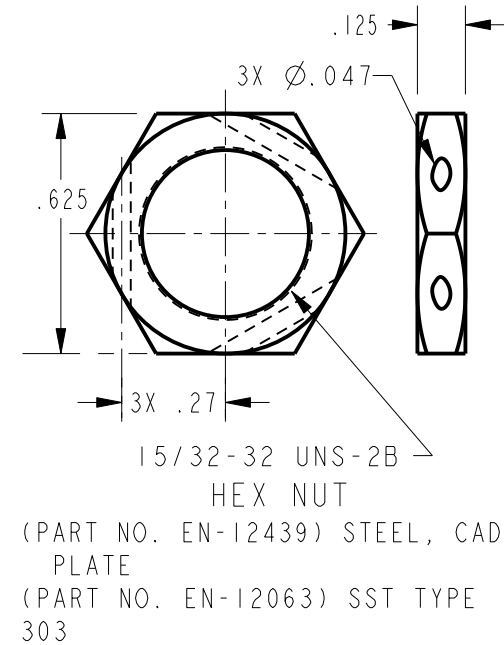
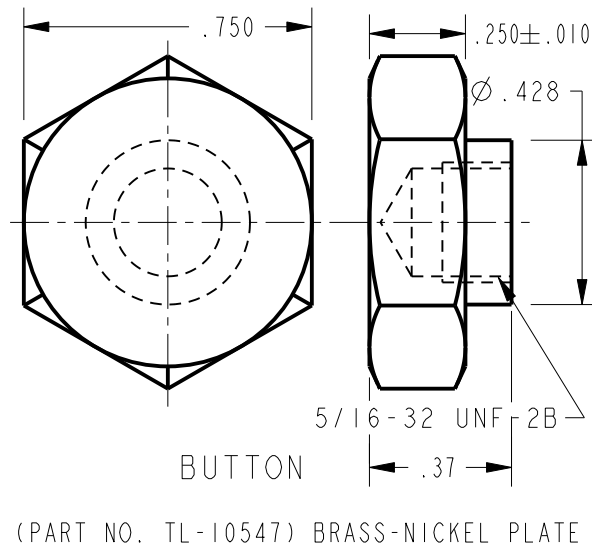
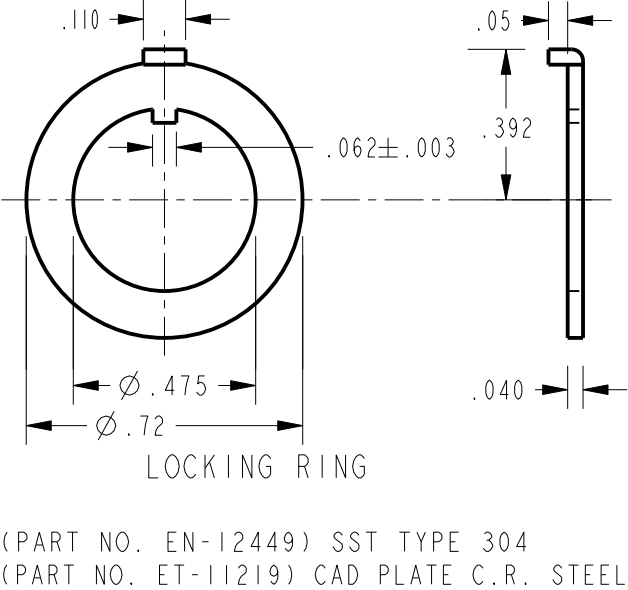
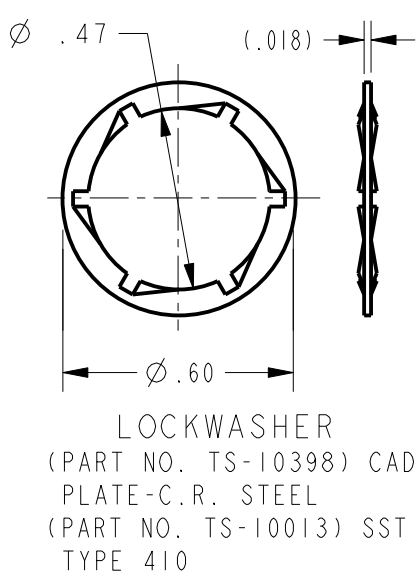
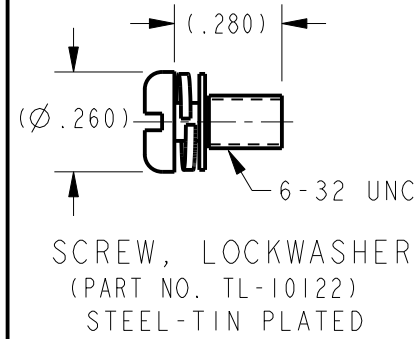
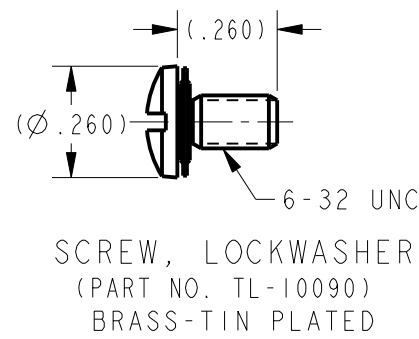
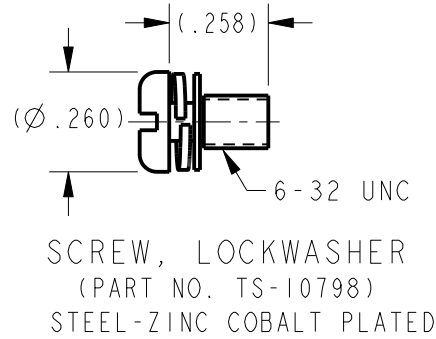
MICRO SWITCH
a Honeywell Division
FED. MFG. CODE 91929

PACKET

19PA-TL SERIES CHART 1

CATALOG LISTING

THIS DRAWING COVERS A PROPRIETARY ITEM AND IS THE PROPERTY OF MICRO SWITCH, A DIVISION OF HONEYWELL. THIS DRAWING IS NOT TO BE COPIED OR USED WITHOUT THE APPROVAL OF MICRO SWITCH



HEX NUT	LOCKING RING	LOCKWASHER	SCREW LOCK WASHER	SEAL COLLAP- SIBLE/BUTTON	CATALOG LISTING
TL-10632 (2)	EN-12449 (1)	TS-10013 (1)	TL-10090 (6)		19PA132-TL
TL-11660 (2)	EN-12449 (1)	TS-10013 (1)	TS-10798 (6)		19PA156-TL
TL-11660 (2)	EN-12449 (1)	TS-10013 (1)	TL-10122 (12)		19PA157-TL
TL-11660 (2)	EN-12449 (1)	TS-10013 (1)	TS-10798 (8)		19PA159-TL
TL-11660 (2)	EN-12449 (1)	TS-10013 (1)	TS-10798 (2)		19PA160-TL
TL-11660 (2)	EN-12449 (1)	TS-10013 (1)	TS-10798 (3)		19PA161-TL
TL-11660 (2)	EN-12449 (1)	TS-10013 (1)	TS-10798 (4)		19PA162-TL
TL-11660 (2)	EN-12449 (1)	TS-10013 (1)	TS-10798 (12)		19PA163-TL
TL-11660 (2)	EN-12449 (1)	TS-10013 (1)	TL-10122 (2)		19PA171-TL
TL-11660 (2)	EN-12449 (1)	TS-10013 (1)	TL-10122 (3)		19PA172-TL
TL-11660 (2)	EN-12449 (1)	TS-10013 (1)	TL-10122 (4)		19PA173-TL
TL-11660 (2)	EN-12449 (1)	TS-10013 (1)	TL-10122 (6)		19PA174-TL
TL-11660 (2)	EN-12449 (1)	TS-10013 (1)	TL-10122 (8)		19PA175-TL
TL-11660 (2)	EN-12449 (1)	TS-10013 (1)	TL-10090 (2)		19PA176-TL
TL-11660 (2)	EN-12449 (1)	TS-10013 (1)	TL-10090 (3)		19PA177-TL
TL-11660 (2)	EN-12449 (1)	TS-10013 (1)	TL-10090 (4)		19PA178-TL
TL-11660 (2)	EN-12449 (1)	TS-10013 (1)	TL-10090 (6)		19PA179-TL
TL-11660 (2)	EN-12449 (1)	TS-10013 (1)	TL-10090 (12)		19PA180-TL
TL-10087 (3)	EN-12449 (2)	TS-10013 (3)	TS-10798 (12)		19PA182-TL

CATALOG LISTING 19PA-TL SERIES CHART 1

ISSUE 18

REVISIONS

A	C095304	TSM	8NOV99
B	201810	GJW	29NOV00
C	205171	TSM	22MAR02
D	0011172	DVM	10FEB05
E	0016335	PM	27OCT05
F	0017108	DVM	23NOV05
G	0017354	DVM	28NOV05

PTC/CAD 2D

RELEASE NO. PR-10250
27OCT05
BP
CHECK
AK
28NOV05
RJ
CHECK
RJ
23NOV05
DRAWN

ANSI Y14.5M-1982 APPLIES

FOR FACTORY USE ONLY

THIRD ANGLE PROJECTION	
SCALE 2 : 1	
DO NOT SCALE PRINT	
UNLESS OTHERWISE SPECIFIED TOLERANCES ARE	
ONE PLACE (.0)	±.030
TWO PLACE (.00)	±.015
THREE PLACE (.000)	±.005
ANGLES	±
WEIGHT	

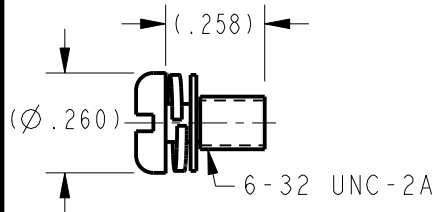
MICRO SWITCH
a Honeywell Division
FED. MFG. CODE 91929

PACKET

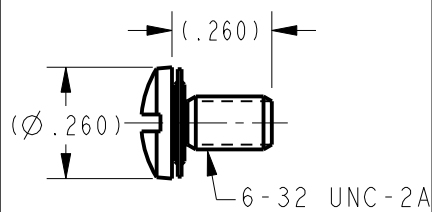
19PA-TL SERIES CHART 1

CATALOG LISTING

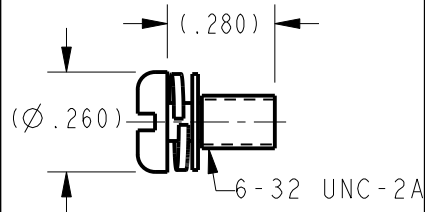
THIS DRAWING COVERS A PROPRIETARY ITEM AND IS THE PROPERTY OF MICRO SWITCH, A DIVISION OF HONEYWELL. THIS DRAWING IS NOT TO BE COPIED OR USED WITHOUT THE APPROVAL OF MICRO SWITCH



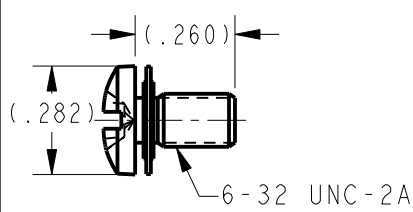
SCREW, LOCKWASHER
(PART NO. TS-10798)
STEEL-ZINC COBALT PLATED



SCREW, LOCKWASHER
(PART NO. TL-10090)
BRASS-TIN PLATED

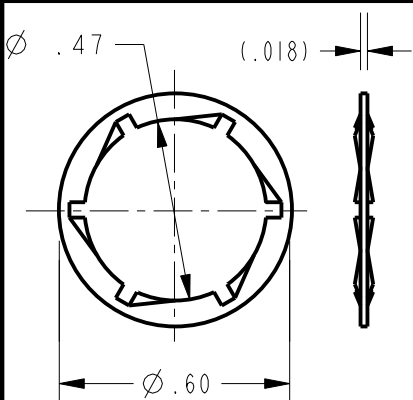


SCREW, LOCKWASHER
(PART NO. TL-10122)
STEEL-TIN PLATED

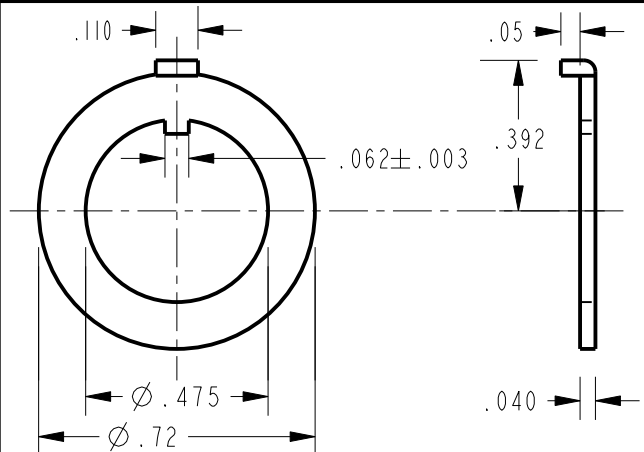


SCREW, ASSEMBLED WASHER
(PART NO. 10-21737)
BRASS-COBALT PLATED

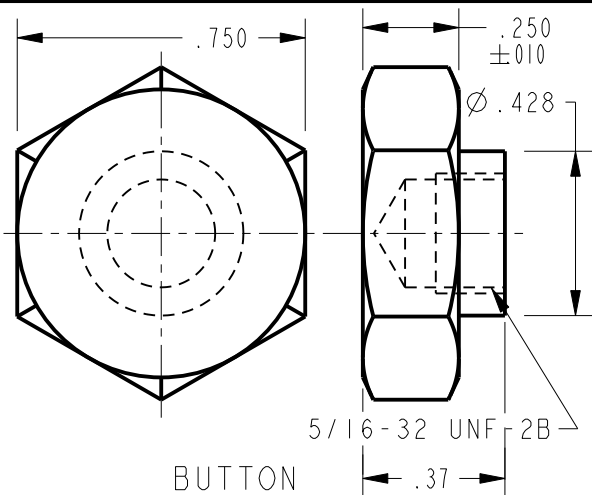
HEX NUT	LOCKING RING	LOCKWASHER	SCREW LOCK WASHER	SEAL COLLAP-SIBLE/BUTTON	CATALOG LISTING
TL-11683 (2)	TL-11681 (1)	TL-11682 (1)	TL-10090 (2)		19PA185-TL
TL-11683 (2)	TL-11681 (1)	TL-11682 (1)	TL-10090 (3)		19PA186-TL
TL-11683 (2)	TL-11681 (1)	TL-11682 (1)	TL-10090 (4)		19PA187-TL
TL-11683 (2)	TL-11681 (1)	TL-11682 (1)	TL-10090 (6)		19PA188-TL
TL-11683 (2)	TL-11681 (1)	TL-11682 (1)	TL-10090 (8)		19PA189-TL
TL-11683 (2)	TL-11681 (1)	TL-11682 (1)	TL-10090 (12)		19PA190-TL
TL-11683 (2)	TL-11681 (1)	TL-11682 (1)			19PA191-TL
TL-11683 (2)	TL-11681 (1)	TL-11682 (1)	TL-10090 (12)	TL-10547 (1)	19PA192-TL
TL-11683 (1)	TL-11681 (1)	TL-11682 (1)			19PA193-TL
EN-12603 (1)					
TL-11683 (2)	TL-11681 (1)	TL-11682 (1)	10-21737 (6)		19PA214-TL
TL-11683 (1)	TL-11681 (1)	TL-11682 (1)			19PA215-NT
NT-10020 (1)					
TL-11683 (1)	TL-11681 (1)	TL-11682 (1)	TL-10090 (2)		19PA216-NT
TL-11683 (1)	TL-11681 (1)	TL-11682 (1)			19PA218-NT
AT-10536 (1)					
TL-11683 (1)	TL-11681 (1)	TL-11682 (1)	TL-10090 (4)		19PA219-NT
NT-10020 (1)					
TL-11683 (1)	TL-11681 (1)	TL-11682 (1)	TL-10090 (3)		19PA220-NT
NT-10020 (1)					
TL-11683 (1)	TL-11681 (1)	TL-11682 (1)	TL-10090 (6)		19PA221-NT
NT-10020 (1)					
TL-11683 (1)	TL-11681 (1)	TL-11682 (1)			19PA222-NT
TL-11683 (1)	TL-11681 (1)	TL-11682 (1)	TL-10090 (6)		19PA227-NT
TL-11683 (1)	TL-11681 (1)	TL-11682 (1)	TL-10090 (3)		19PA228-NT
TL-11683 (1)	TL-11681 (1)	TL-11682 (1)	TL-10090 (12)		19PA231-NT
AT-10536 (1)					



LOCKWASHER
(PART NO. TS-11682) ZINC COBALT PLATE - CRS
(PART NO. TS-10013) SST TYPE 410



LOCKING RING
(PART NO. EN-12449) SST TYPE 304
(PART NO. ET-11219) CAD PLATE C.R. STEEL
(PART NO. TL-11681) ZINC COBALT PLATE CRS



BUTTON
(PART NO. TL-10547) BRASS-NICKEL PLATE

CATALOG LISTING 19PA-TL SERIES CHART 1

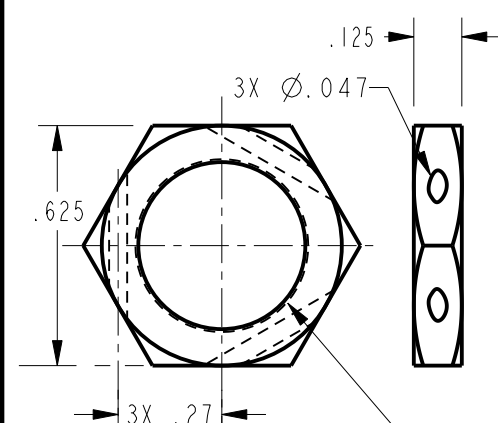


ISSUE 18

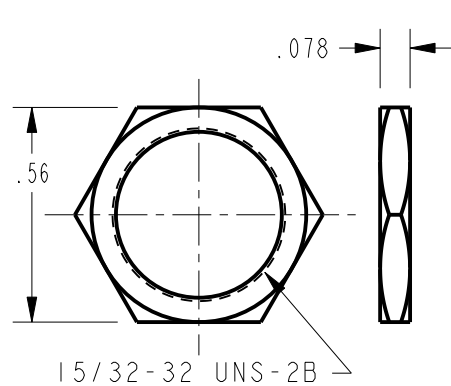
REVISIONS

A	C095304	TSM	8 NOV 99
B	201810	GJW	28 NOV 00
C	205171	TSM	22 MAR 02
D	0011172	DVM	10 FEB 05
E	0016335	PM	27 OCT 05
F	0017108	DVM	23 NOV 05
G	0017354	DVM	28 NOV 05

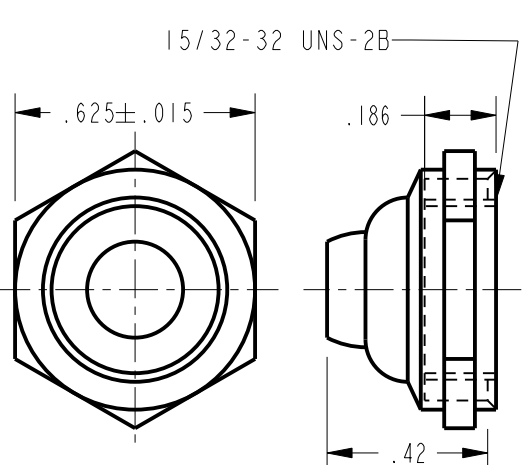
PTC/CAD 2D
DRAWN RJ 23NOV05
CHECK RJ 28NOV05
CHECK RJ 28NOV05
CHECK AK 10FEB05
CHECK BP 27OCT05
RELEASE NO. PR-10250
PAGE 3 OF 3



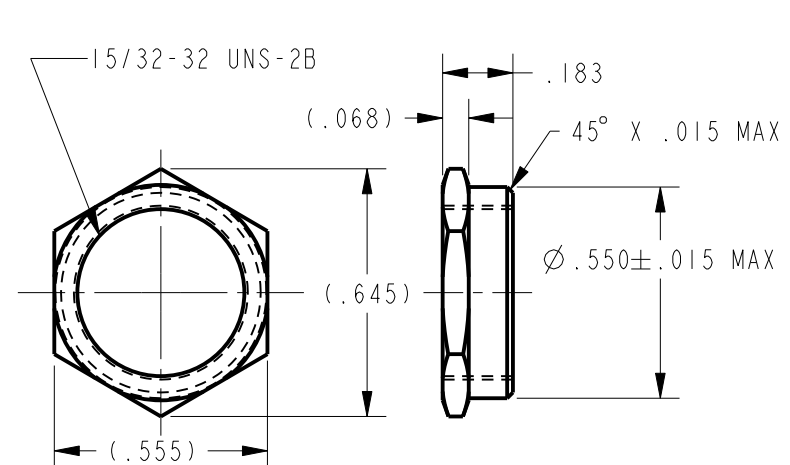
HEX NUT
(PART NO. EN-12439) STEEL, CAD PLATE
(PART NO. EN-12063) SST TYPE 303



HEX NUT
(PART NO. TL-11683) STEEL, ZINC COBALT PLATE
(PART NO. TL-10632) NICKEL PLATE-MATTE
(PART NO. TL-11410) CAD PLATE-BRIGHT BRASS-HALF HARD
(PART NO. TL-11658) ZINC-NICKEL PLATE-STEEL
(PART NO. TL-11660) ZINC PLATE BRASS
(PART NO. TS-10087) NICKEL PLATE BRASS
(PART NO. AT-10536) BLACK OXIDE 300 SERIES SST



SEAL COLLAPSIBLE
(PART NO. AT-10822)



HEX NUT
(PART NUMBER NT-10020) ZINC AND BLACK CHROMATE BRASS

ANSI Y14.5M-1982 APPLIES

FOR FACTORY USE ONLY

THIRD ANGLE PROJECTION	
SCALE 2 : 1	
DO NOT SCALE PRINT	
UNLESS OTHERWISE SPECIFIED TOLERANCES ARE	
ONE PLACE (.0)	±.030
TWO PLACE (.00)	±.015
THREE PLACE (.000)	±.005
ANGLES	±
WEIGHT	

Данный компонент на территории Российской Федерации

Вы можете приобрести в компании MosChip.

Для оперативного оформления запроса Вам необходимо перейти по данной ссылке:

<http://moschip.ru/get-element>

Вы можете разместить у нас заказ для любого Вашего проекта, будь то серийное производство или разработка единичного прибора.

В нашем ассортименте представлены ведущие мировые производители активных и пассивных электронных компонентов.

Нашей специализацией является поставка электронной компонентной базы двойного назначения, продукции таких производителей как XILINX, Intel (ex.ALTERA), Vicor, Microchip, Texas Instruments, Analog Devices, Mini-Circuits, Amphenol, Glenair.

Сотрудничество с глобальными дистрибьюторами электронных компонентов, предоставляет возможность заказывать и получать с международных складов практически любой перечень компонентов в оптимальные для Вас сроки.

На всех этапах разработки и производства наши партнеры могут получить квалифицированную поддержку опытных инженеров.

Система менеджмента качества компании отвечает требованиям в соответствии с ГОСТ Р ИСО 9001, ГОСТ РВ 0015-002 и ЭС РД 009

Офис по работе с юридическими лицами:

105318, г.Москва, ул.Щербаковская д.3, офис 1107, 1118, ДЦ «Щербаковский»

Телефон: +7 495 668-12-70 (многоканальный)

Факс: +7 495 668-12-70 (доб.304)

E-mail: info@moschip.ru

Skype отдела продаж:

moschip.ru

moschip.ru_4

moschip.ru_6

moschip.ru_9