

## MAX14676/MAX14676A

## Wearable Charge Management Solution

### General Description

The MAX14676/MAX14676A are battery-charge-management solutions ideal for low-power wearable applications. These devices include a linear battery-charger with a Smart Power Selector™, ModelGauge™ fuel gauge, and several power-optimized peripherals. They feature an ultra-low-power buck regulator with a quiescent current of 900nA (typical) and 74% efficiency with 10μA output.

The battery charger features Smart Power Selector operation, allowing operation with dead battery. It limits input current based on a register setting. If the charger power source is unable to supply the entire system load, the smart power control circuit will supplement the system load with current from the battery.

The MAX14676/MAX14676A embed a Maxim proprietary ModelGauge fuel gauge to provide an accurate estimate of the available capacity for rechargeable lithium batteries.

The MAX14676/MAX14676A include a synchronous high-efficiency step-down converter. The device features a fixed-frequency PWM mode for tighter regulation, and a burst mode for increased efficiency during light-load operation.

The MAX14676/MAX14676A have a boost regulator and three programmable current sinks that can be used to drive a variety of LED configurations. The boost converter is controlled independently from the current sinks, and they can be also used separately.

The MAX14676/MAX14676A feature a power switch controller that allows the device to be turned on and off by a pushbutton. This controller also provides a delayed reset signal and voltage sequencing.

These devices are available in a 42-bump, 0.5mm pitch, 3.497mm x 3.118mm wafer-level package (WLP).

### Features and Benefits

- Extend System Use Time Between Battery Charging
  - 1.8V Low-I<sub>Q</sub> 200mA Buck Regulator
    - 0.9μA (typ) Quiescent Current
    - Automatic Burst or Forced-PWM Modes
  - ModelGauge with Accurate State-of-Charge
- Easy-to-Implement Li+ Battery Charging
  - Smart Power Selector
  - 28V Tolerant Input
  - Thermistor Monitor
- Minimize Power-Management Footprint through High Integration
  - 3.2V Low-I<sub>Q</sub> 100mA LDO
  - 2.0V Always-On 50μA LDO
  - +5V Safe Output LDO
  - 6.6V Low-I<sub>Q</sub> 120μA Charge Pump
- Support a Wide Variety of Display Options
  - 5V to 17V Output Boost Converter
  - 3-Channel Adjustable High-Voltage Current Sinks
- Optimize System Control
  - Pushbutton to Enable Ultra-Low-Power Mode and Power-On Voltage Sequencing
  - I<sup>2</sup>C Control

### Applications

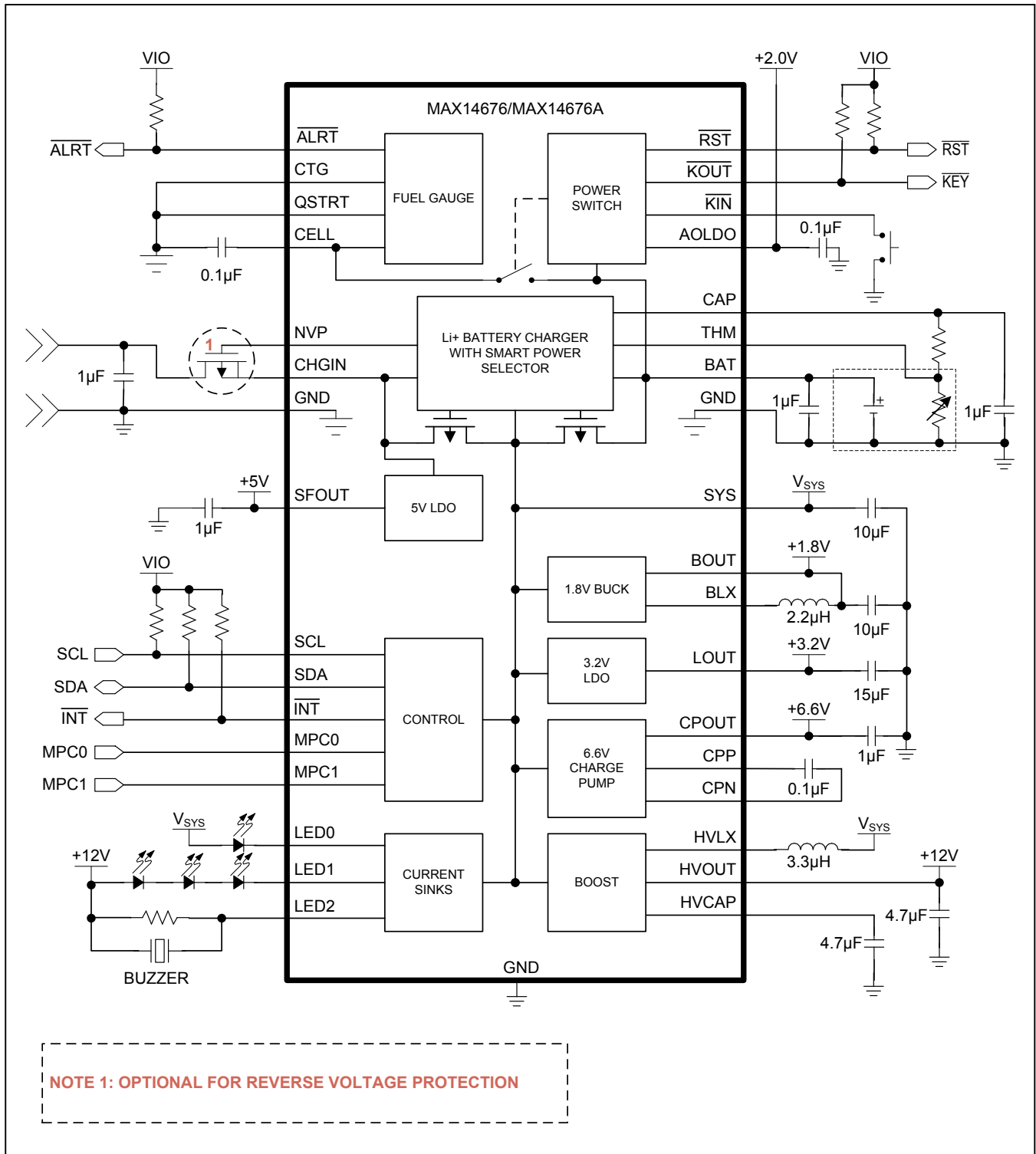
- Wearable Electronics
- GPS Watches
- Fitness Monitors
- Portable Medical Devices

[Ordering Information/Selector Guide](#) appears at end of *data sheet*.

*Smart Power Selector and ModelGauge are trademarks of Maxim Integrated Products, Inc.*



Typical Application Circuit



## Ordering Information/Selector Guide

PART	BUCK	3.2V LDO	STAY ON BIT DEFAULT*	BUMP-PACKAGE
MAX14676EWO+T	Forced On	Forced On	0	42 WLP
MAX14676AEWO+T	Forced On	Off (default)	1	42 WLP

+ Denotes lead(Pb)-free/RoHS compliant package.

T = Tape and reel.

## Chip Information

PROCESS: BiCMOS

## Package Information

For the latest package outline information and land patterns (footprints), go to [www.maximintegrated.com/packages](http://www.maximintegrated.com/packages). Note that a "+", "#", or "-" in the package code indicates RoHS status only. Package drawings may show a different suffix character, but the drawing pertains to the package regardless of RoHS status.

PACKAGE TYPE	PACKAGE CODE	OUTLINE NO.	LAND PATTERN NO.
42 WLP	W423F3+1	<a href="#">21-0209</a>	Refer to <a href="#">Application Note 1891</a>

## Данный компонент на территории Российской Федерации

### Вы можете приобрести в компании MosChip.

Для оперативного оформления запроса Вам необходимо перейти по данной ссылке:

<http://moschip.ru/get-element>

Вы можете разместить у нас заказ для любого Вашего проекта, будь то серийное производство или разработка единичного прибора.

В нашем ассортименте представлены ведущие мировые производители активных и пассивных электронных компонентов.

Нашей специализацией является поставка электронной компонентной базы двойного назначения, продукции таких производителей как XILINX, Intel (ex.ALTERA), Vicor, Microchip, Texas Instruments, Analog Devices, Mini-Circuits, Amphenol, Glenair.

Сотрудничество с глобальными дистрибьюторами электронных компонентов, предоставляет возможность заказывать и получать с международных складов практически любой перечень компонентов в оптимальные для Вас сроки.

На всех этапах разработки и производства наши партнеры могут получить квалифицированную поддержку опытных инженеров.

Система менеджмента качества компании отвечает требованиям в соответствии с ГОСТ Р ИСО 9001, ГОСТ РВ 0015-002 и ЭС РД 009

### Офис по работе с юридическими лицами:

105318, г.Москва, ул.Щербаковская д.3, офис 1107, 1118, ДЦ «Щербаковский»

Телефон: +7 495 668-12-70 (многоканальный)

Факс: +7 495 668-12-70 (доб.304)

E-mail: [info@moschip.ru](mailto:info@moschip.ru)

Skype отдела продаж:

moschip.ru

moschip.ru\_4

moschip.ru\_6

moschip.ru\_9