

Double channel high side driver for automotive applications

Features

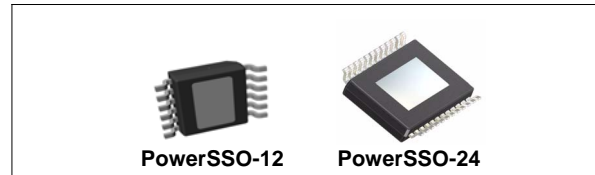
| | | |
|-----------------------------------|------------|--------------------------|
| Max supply voltage | V_{CC} | 41 V |
| Operating voltage range | V_{CC} | 4.5 to 36 V |
| Max on-State resistance (per ch.) | R_{ON} | 50 m Ω |
| Current limitation (typ) | I_{LIMH} | 18 A |
| Off-state supply current | I_S | 2 μ A ⁽¹⁾ |

1. Typical value with all loads connected.

- Main
 - Inrush current active management by power limitation
 - Very low standby current
 - 3.0 V CMOS compatible input
 - Optimized electromagnetic emission
 - Very low electromagnetic susceptibility
 - In compliance with the 2002/95/EC European directive
- Diagnostic functions
 - Open drain status output
 - On-state open load detection
 - Off-state open load detection
 - Thermal shutdown indication
- Protections
 - Undervoltage shutdown
 - Overvoltage clamp
 - Output stuck to V_{CC} detection
 - Load current limitation
 - Self limiting of fast thermal transients
 - Protection against loss of ground and loss of V_{CC}
 - Thermal shutdown

Table 1. Device summary

| Package | Order code | |
|-------------|------------|---------------|
| | Tube | Tape and reel |
| PowerSSO-12 | VND5050J-E | VND5050JTR-E |
| PowerSSO-24 | VND5050K-E | VND5050KTR-E |



- Reverse battery protection (see [Figure 28](#))
- Electrostatic discharge protection

Applications

- All types of resistive, inductive and capacitive loads

Description

The VND5050K-E and VND5050J-E are monolithic devices made using STMicroelectronics VIPower M0-5 technology. they are intended for driving resistive or inductive loads with one side connected to ground. Active V_{CC} pin voltage clamp protects the devices against low energy spikes (see ISO7637 transient compatibility table). The devices detect open load condition both in on and off-state, when STAT_DIS is left open or driven low. Output shorted to V_{CC} is detected in the off-state.

When STAT_DIS is driven high, STATUS pin is in high impedance state.

Output current limitation protects the devices in overload condition. In case of long overload duration, the devices limit the dissipated power to a safe level up to thermal shutdown intervention. Thermal shutdown with automatic restart allows the devices to recover normal operation as soon as fault conditions disappear.

Contents

| | | |
|----------|---|-----------|
| 1 | Block diagram and pin description | 5 |
| 2 | Electrical specifications | 7 |
| 2.1 | Absolute maximum ratings | 7 |
| 2.2 | Thermal data | 8 |
| 2.3 | Electrical characteristics | 8 |
| 2.4 | Electrical characteristics curves | 16 |
| 3 | Application information | 20 |
| 3.1 | GND protection network against reverse battery | 20 |
| 3.1.1 | Solution 1: resistor in the ground line (RGND only) | 20 |
| 3.1.2 | Solution 2: a diode (DGND) in the ground line | 21 |
| 3.2 | Load dump protection | 21 |
| 3.3 | Microcontroller I/Os protection | 21 |
| 3.4 | Open-load detection in off-state | 21 |
| 3.5 | Maximum demagnetization energy (VCC = 13.5V) | 23 |
| 4 | Package and PCB thermal data | 24 |
| 4.1 | PowerSSO-12™ thermal data | 24 |
| 4.2 | PowerSSO-24™ thermal data | 27 |
| 5 | Package and packing information | 30 |
| 5.1 | ECOPACK® packages | 30 |
| 5.2 | PowerSSO-12™ package information | 30 |
| 5.3 | PowerSSO-24™ package information | 32 |
| 5.4 | PowerSSO-12™ packing information | 34 |
| 5.5 | PowerSSO-24™ packing information | 35 |
| 6 | Revision history | 36 |

List of tables

| | | |
|-----------|---|----|
| Table 2. | Pin function | 5 |
| Table 3. | Suggested connections for unused and not connected pins | 6 |
| Table 4. | Absolute maximum ratings | 7 |
| Table 5. | Thermal data | 8 |
| Table 6. | Power section | 8 |
| Table 7. | Switching ($V_{CC} = 13V$; $T_j = 25^{\circ}C$) | 9 |
| Table 8. | Status pin ($V_{SD}=0V$) | 9 |
| Table 9. | Protections | 10 |
| Table 10. | Openload detection | 10 |
| Table 11. | Logic input | 10 |
| Table 12. | Truth table | 12 |
| Table 13. | Electrical transient requirements (part 1/3) | 13 |
| Table 14. | Electrical transient requirements (part 2/3) | 13 |
| Table 15. | Electrical transient requirements (part 3/3) | 14 |
| Table 16. | PowerSSO-12™ thermal parameters | 26 |
| Table 17. | PowerSSO-24™ thermal parameters | 29 |
| Table 18. | PowerSSO-12™ mechanical data | 31 |
| Table 19. | PowerSSO-24™ mechanical data | 32 |
| Table 20. | Document revision history | 36 |

List of figures

| | | |
|------------|--|----|
| Figure 1. | Block diagram | 5 |
| Figure 2. | Configuration diagram (top view) | 6 |
| Figure 3. | Current and voltage conventions | 7 |
| Figure 4. | Status timings | 11 |
| Figure 5. | Switching characteristics | 12 |
| Figure 6. | Output voltage drop limitation | 13 |
| Figure 7. | Waveforms | 15 |
| Figure 8. | Off-state output current | 16 |
| Figure 9. | High level input current | 16 |
| Figure 10. | Input clamp voltage | 16 |
| Figure 11. | Input high level | 16 |
| Figure 12. | Input low level | 16 |
| Figure 13. | Input hysteresis voltage | 16 |
| Figure 14. | Status low output voltage | 17 |
| Figure 15. | On-state resistance vs T_{case} | 17 |
| Figure 16. | Status leakage current | 17 |
| Figure 17. | On-state resistance vs V_{CC} | 17 |
| Figure 18. | Status clamp voltage | 17 |
| Figure 19. | Openload on-state detection threshold | 17 |
| Figure 20. | Openload off-state voltage detection threshold | 18 |
| Figure 21. | I_{LIM} vs T_{case} | 18 |
| Figure 22. | Turn-on voltage slope | 18 |
| Figure 23. | Undervoltage shutdown | 18 |
| Figure 24. | Turn-off voltage slope | 18 |
| Figure 25. | STAT_DIS clamp voltage | 18 |
| Figure 26. | High level STAT_DIS voltage | 19 |
| Figure 27. | Low level STAT_DIS voltage | 19 |
| Figure 28. | Application schematic | 20 |
| Figure 29. | Open-load detection in off-state | 22 |
| Figure 30. | Maximum turn-off current versus inductance (for each channel) | 23 |
| Figure 31. | PowerSSO-12™ PC board | 24 |
| Figure 32. | $R_{thj-amb}$ vs PCB copper area in open box free air condition (one channel on) | 24 |
| Figure 33. | PowerSSO-12™ thermal impedance junction ambient single pulse (one channel on) | 25 |
| Figure 34. | Thermal fitting model of a double channel HSD in PowerSSO-12™ | 25 |
| Figure 35. | PowerSSO-24™ PC board | 27 |
| Figure 36. | $R_{thj-amb}$ vs PCB copper area in open box free air condition (one channel on) | 27 |
| Figure 37. | PowerSSO-24™ thermal impedance junction ambient single pulse (one channel on) | 28 |
| Figure 38. | Thermal fitting model of a double channel HSD in PowerSSO-24™ | 28 |
| Figure 39. | PowerSSO-12™ package dimensions | 30 |
| Figure 40. | PowerSSO-24™ package dimensions | 32 |
| Figure 41. | PowerSSO-12™ tube shipment (no suffix) | 34 |
| Figure 42. | PowerSSO-12™ tape and reel shipment (suffix "TR") | 34 |
| Figure 43. | PowerSSO-24™ tube shipment (no suffix) | 35 |
| Figure 44. | PowerSSO-24™ tape and reel shipment (suffix "TR") | 35 |

1 Block diagram and pin description

Figure 1. Block diagram

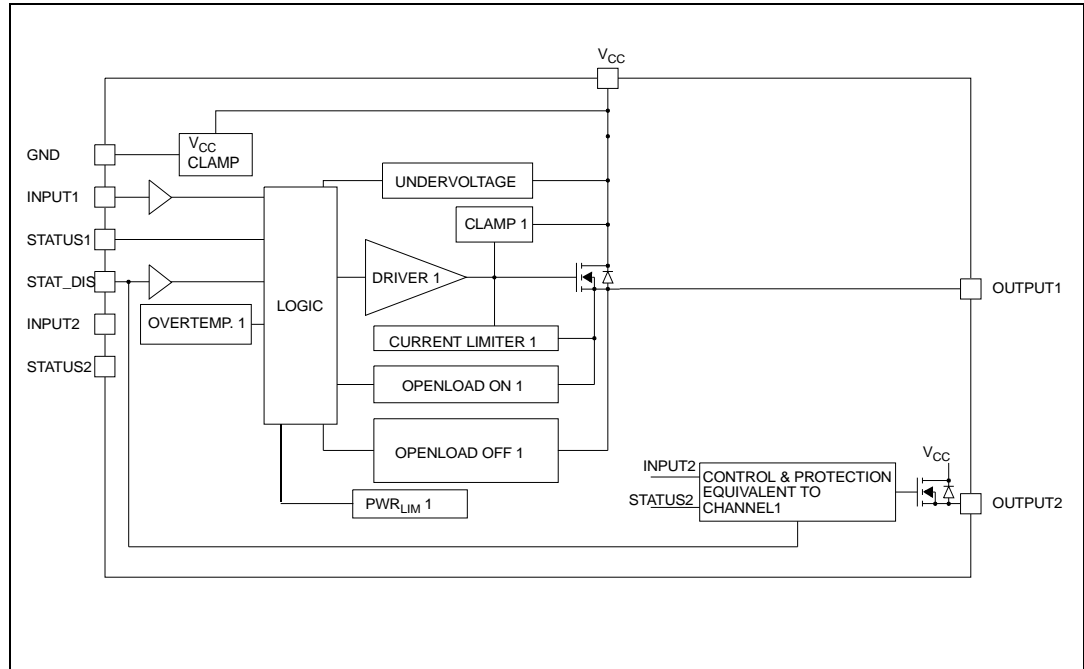


Table 2. Pin function

| Name | Function |
|---------------------|--|
| V _{CC} | Battery connection. |
| OUTPUT _n | Power output. |
| GND | Ground connection. Must be reverse battery protected by an external diode/resistor network. |
| INPUT _n | Voltage controlled input pin with hysteresis, CMOS compatible. Controls output switch state. |
| STATUS _n | Open drain digital diagnostic pin. |
| STAT_DIS | Active high CMOS compatible pin, to disable the STATUS pin. |

Figure 2. Configuration diagram (top view)

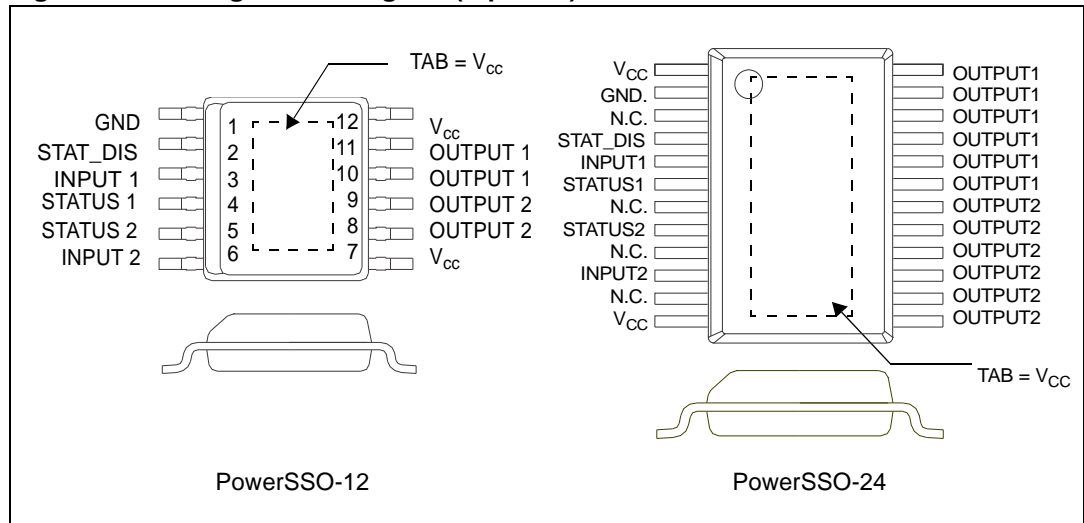


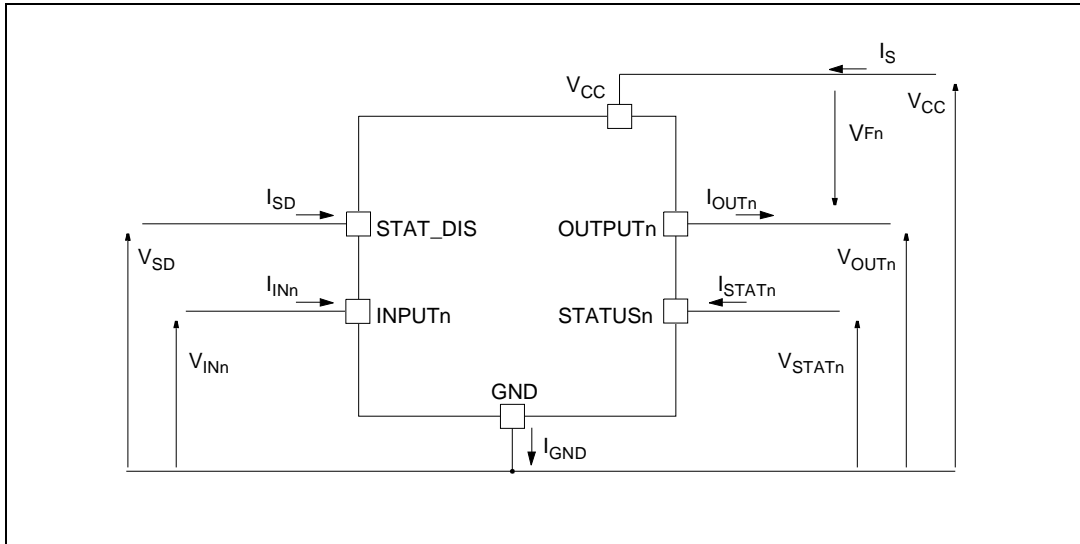
Table 3. Suggested connections for unused and not connected pins

| Connection/pin | STATUS | N.C. | OUTPUT | INPUT | STAT_DIS |
|----------------|---------------------|------|--------|-----------------------|-----------------------|
| Floating | X | X | X | X | X |
| To ground | N.R. ⁽¹⁾ | X | N.R. | Through 10KΩ resistor | Through 10KΩ resistor |

1. Not recommended.

2 Electrical specifications

Figure 3. Current and voltage conventions



Note: $V_{Fn} = V_{OUTn} - V_{CCn}$ during reverse battery condition.

2.1 Absolute maximum ratings

Stressing the device above the rating listed in the “Absolute maximum ratings” table may cause permanent damage to the device. These are stress ratings only and operation of the device at these or any other conditions above those indicated in the Operating sections of this specification is not implied. Exposure to the conditions in table below for extended periods may affect device reliability. Refer also to the STMicroelectronics SURE Program and other relevant quality document.

Table 4. Absolute maximum ratings

| Symbol | Parameter | Value | Unit |
|-----------------|---|--------------------|------|
| V_{CC} | DC supply voltage | 41 | V |
| $-V_{CC}$ | Reverse DC supply voltage | 0.3 | V |
| $-I_{GND}$ | DC reverse ground pin current | 200 | mA |
| I_{OUT} | DC output current | Internally limited | A |
| $-I_{OUT}$ | Reverse dc output current | 15 | A |
| I_{IN} | DC input current | +10 / -1 | mA |
| I_{STAT} | DC status current | +10 / -1 | mA |
| I_{STAT_DIS} | DC status disable current | +10 / -1 | mA |
| E_{MAX} | Maximum switching energy ($L=3mH$; $R_L=0\Omega$; $V_{bat}=13.5V$; $T_{jstart}=150^\circ C$; $I_{OUT} = I_{limL}(Typ.)$) | 104 | mJ |

Table 4. Absolute maximum ratings (continued)

| Symbol | Parameter | Value | Unit |
|------------------|--|-------------|------|
| V _{ESD} | Electrostatic discharge (Human Body Model: R=1.5KΩ; C=100pF) | | |
| | – Input | 4000 | V |
| | – Status | 4000 | V |
| | – STAT_DIS | 4000 | V |
| | – Output | 5000 | V |
| | – V _{CC} | 5000 | V |
| V _{ESD} | Charge device model (CDM-AEC-Q100-011) | 750 | V |
| T _j | Junction operating temperature | -40 to 150 | °C |
| T _{stg} | Storage temperature | - 55 to 150 | °C |

2.2 Thermal data

Table 5. Thermal data

| Symbol | Parameter | Value | | Unit |
|-----------------------|--|-------------------------------|-------------------------------|------|
| | | PowerSSO-12 | PowerSSO-24 | |
| R _{thj-case} | Thermal resistance junction case (max) (with one channel on) | 2.8 | 2.8 | °C/W |
| R _{thj-amb} | Thermal resistance junction ambient (max) | See Figure 32 | See Figure 36 | °C/W |

2.3 Electrical characteristics

8 V < V_{CC} < 36 V; -40 °C < T_j < 150 °C, unless otherwise specified.

Table 6. Power section

| Symbol | Parameter | Test conditions | Min. | Typ. | Max. | Unit |
|----------------------|------------------------------------|---|------|-----------------------|-----------------------|----------------|
| V _{CC} | Operating supply voltage | | 4.5 | 13 | 36 | V |
| V _{USD} | Undervoltage shutdown | | | 3.5 | 4.5 | V |
| V _{USDhyst} | Undervoltage shutdown hysteresis | | | 0.5 | | V |
| R _{ON} | On-state resistance ⁽²⁾ | I _{OUT} =2A; T _j =25°C I _{OUT} =2A; T _j =150°C I _{OUT} =2A; V _{CC} =5V; T _j =25°C | | | 50 100 65 | mΩ mΩ mΩ |
| V _{clamp} | Clamp voltage | I _S =20mA | 41 | 46 | 52 | V |
| I _S | Supply current | Off-state; V _{CC} =13V; T _j =25°C; V _{IN} =V _{OUT} =V _{SENSE} =V _{CSD} =0V On-state; V _{CC} =13V; V _{IN} =5V; I _{OUT} =0A | | 2 ⁽¹⁾ 3 | 5 ⁽¹⁾ 6 | μA mA |

Table 6. Power section (continued)

| Symbol | Parameter | Test conditions | Min. | Typ. | Max. | Unit |
|---------------|--|---|------|------|------|---------|
| $I_{L(off1)}$ | Off-state output current ⁽²⁾ | $V_{IN}=V_{OUT}=0V$; $V_{CC}=13V$; $T_j=25^\circ C$ | 0 | 0.01 | 3 | μA |
| | | $V_{IN}=V_{OUT}=0V$; $V_{CC}=13V$; $T_j=125^\circ C$ | 0 | | 5 | |
| $I_{L(off2)}$ | Off-state output current ⁽²⁾ | $V_{IN}=0V$; $V_{OUT}=4V$ | -75 | | 0 | |
| V_F | Output - V_{CC} diode voltage ⁽²⁾ | $-I_{OUT}=4A$; $T_j=150^\circ C$ | | | 0.7 | V |

1. PowerMOS leakage included.

2. For each channel.

Table 7. Switching ($V_{CC} = 13V$; $T_j = 25^\circ C$)

| Symbol | Parameter | Test conditions | Min. | Typ. | Max. | Unit |
|-----------------------|---|---|-------------------------------|------|------|------------|
| $t_{d(on)}$ | Turn-on delay time | $R_L = 6.5\Omega$ (see Figure 5) | | 20 | | μs |
| $t_{d(off)}$ | Turn-off delay time | $R_L = 6.5\Omega$ (see Figure 5) | | 40 | | μs |
| $dV_{OUT}/dt_{(on)}$ | Turn-on voltage slope | $R_L = 6.5\Omega$ | See Figure 22 | | | V/ μs |
| $dV_{OUT}/dt_{(off)}$ | Turn-off voltage slope | $R_L = 6.5\Omega$ | See Figure 24 | | | V/ μs |
| W_{ON} | Switching energy losses during t_{won} | $R_L = 6.5\Omega$ (see Figure 5) | | 0.21 | | mJ |
| W_{OFF} | Switching energy losses during t_{woff} | $R_L = 6.5\Omega$ (see Figure 5) | | 0.28 | | mJ |

Table 8. Status pin ($V_{SD}=0V$)

| Symbol | Parameter | Test conditions | Min. | Typ. | Max. | Unit |
|-------------|------------------------------|--|------|------|------|---------|
| V_{STAT} | Status low output voltage | $I_{STAT} = 1.6 mA$, $V_{SD}=0V$ | | | 0.5 | V |
| I_{LSTAT} | Status leakage current | Normal operation or $V_{SD}=5V$, $V_{STAT} = 5V$ | | | 10 | μA |
| C_{STAT} | Status pin input capacitance | Normal operation or $V_{SD}=5V$, $V_{STAT} = 5V$ | | | 100 | pF |
| V_{SCL} | Status clamp voltage | $I_{STAT} = 1mA$ | 5.5 | | 7 | V |
| | | $I_{STAT} = -1mA$ | | -0.7 | | V |

Table 9. Protections⁽¹⁾

| Symbol | Parameter | Test conditions | Min. | Typ. | Max. | Unit |
|-------------|--|---|--------------|--------------|-------------|--------|
| I_{limH} | DC short circuit current | $V_{CC}=13V$ $5V < V_{CC} < 36V$ | 12 | 18 | 24 24 | A A |
| I_{limL} | Short circuit current during thermal cycling | $V_{CC}=13V$ $T_R < T_j < T_{TSD}$ | | 7 | | A |
| T_{TSD} | Shutdown temperature | | 150 | 175 | 200 | °C |
| T_R | Reset temperature | | $T_{RS} + 1$ | $T_{RS} + 5$ | | °C |
| T_{RS} | Thermal reset of STATUS | | 135 | | | °C |
| T_{HYST} | Thermal hysteresis ($T_{TSD} - T_R$) | | | 7 | | °C |
| t_{SDL} | Status delay in overload conditions | $T_j > T_{TSD}$ (see Figure 4) | | | 20 | µs |
| V_{DEMAG} | Turn-off output voltage clamp | $I_{OUT}=2A$; $V_{IN}=0$; $L=6mH$ | $V_{CC}-41$ | $V_{CC}-46$ | $V_{CC}-52$ | V |
| V_{ON} | Output voltage drop limitation | $I_{OUT}=0.1A$; $T_j = -40°C \dots +150°C$ (see Figure 6) | | 25 | | mV |

1. To ensure long term reliability under heavy overload or short circuit conditions, protection and related diagnostic signals must be used together with a proper software strategy. If the device is subjected to abnormal conditions, this software must limit the duration and number of activation cycles.

Table 10. Openload detection

| Symbol | Parameter | Test conditions | Min. | Typ. | Max. | Unit |
|---------------|---|--|------|-------------------------------|-----------|------|
| I_{OL} | Openload on-state detection threshold | $V_{IN} = 5V, 8V < V_{CC} < 18V$ | 10 | See Figure 19 | 70 | mA |
| $t_{DOL(on)}$ | Openload on-state detection delay | $I_{OUT} = 0A$, $V_{CC}=13V$ (see Figure 4) | | | 200 | µs |
| t_{POL} | Delay between INPUT falling edge and STATUS rising edge in Openload condition | $I_{OUT} = 0A$ (see Figure 4) | 200 | 500 | 1000 | µs |
| V_{OL} | Openload off-state voltage detection threshold | $V_{IN} = 0V$, $8V < V_{CC} < 16V$ | 2 | See Figure 20 | 4 | V |
| t_{DSTKON} | Output short circuit to V_{CC} detection delay at turn-off | (see Figure 4) | 180 | | t_{POL} | µs |

Table 11. Logic input

| Symbol | Parameter | Test conditions | Min. | Typ. | Max. | Unit |
|----------------|-----------------------------|---|------|------|------|---------------|
| V_{IL} | Input low level | | | | 0.9 | V |
| I_{IL} | Low level input current | $V_{IN} = 0.9\text{ V}$ | 1 | | | μA |
| V_{IH} | Input high level | | 2.1 | | | V |
| I_{IH} | High level input current | $V_{IN} = 2.1\text{ V}$ | | | 10 | μA |
| $V_{I(hyst)}$ | Input hysteresis voltage | | 0.25 | | | V |
| V_{ICL} | Input clamp voltage | $I_{IN} = 1\text{ mA}$ $I_{IN} = -1\text{ mA}$ | 5.5 | -0.7 | 7 | V V |
| V_{SDL} | STAT_DIS low level voltage | | | | 0.9 | V |
| I_{SDL} | Low level STAT_DIS current | $V_{SD} = 0.9\text{ V}$ | 1 | | | μA |
| V_{SDH} | STAT_DIS high level voltage | | 2.1 | | | V |
| I_{SDH} | High level STAT_DIS current | $V_{SD} = 2.1\text{ V}$ | | | 10 | μA |
| $V_{SD(hyst)}$ | STAT_DIS hysteresis voltage | | 0.25 | | | V |
| V_{SDCL} | STAT_DIS clamp voltage | $I_{SD} = 1\text{ mA}$ $I_{SD} = -1\text{ mA}$ | 5.5 | -0.7 | 7 | V V |

Figure 4. Status timings

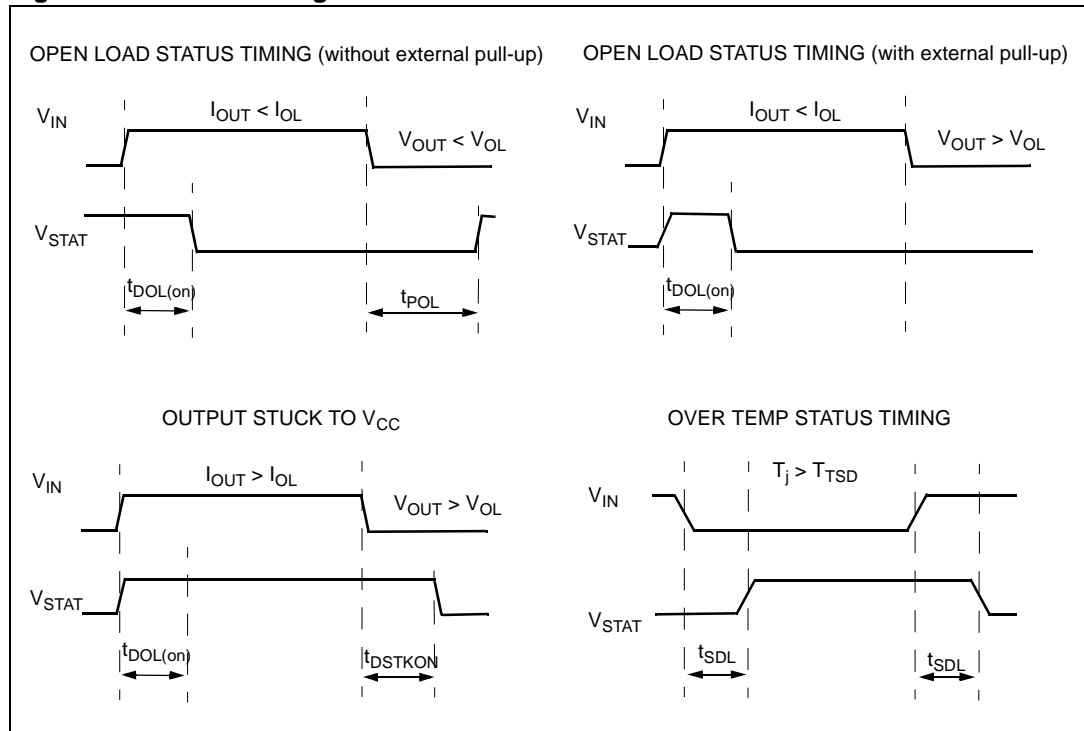


Table 12. Truth table

| Conditions | Input | Output | Sense ($V_{CSD}=0V$) ⁽¹⁾ |
|---------------------------|-------|--------|---------------------------------------|
| Normal operation | L | L | H |
| | H | H | H |
| Current limitation | L | L | H |
| | H | X | H |
| Over temperature | L | L | H |
| | H | L | L |
| Undervoltage | L | L | X |
| | H | L | X |
| Output voltage > V_{OL} | L | H | L ⁽²⁾ |
| | H | H | H |
| Output current < I_{OL} | L | L | H ⁽³⁾ |
| | H | H | L |

1. If the V_{CSD} is high, the SENSE output is at a high impedance, its potential depends on leakage currents and external circuit.
2. The STATUS pin is low with a delay equal to t_{DSTKON} after INPUT falling edge.
3. The STATUS pin becomes high with a delay equal to t_{POL} after INPUT falling edge.

Figure 5. Switching characteristics

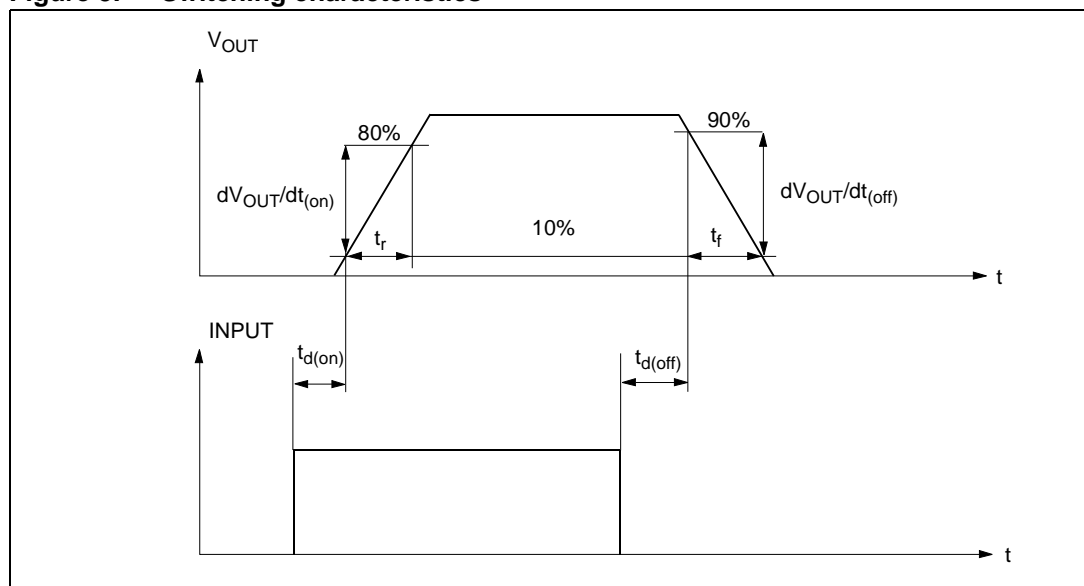


Figure 6. Output voltage drop limitation

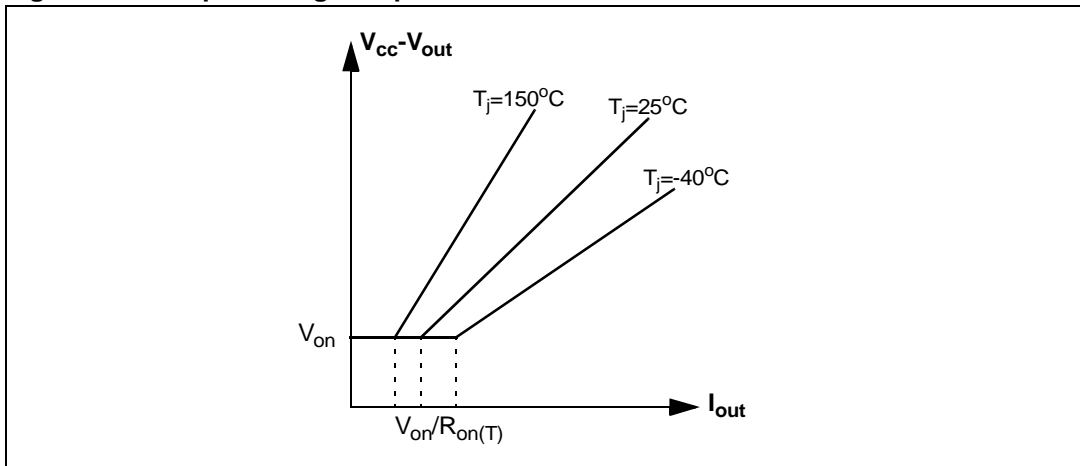


Table 13. Electrical transient requirements (part 1/3)

| ISO 7637-2: 2004(E) test pulse | Test levels ⁽¹⁾ | | Number of pulses or test times | Burst cycle/pulse repetition time | | Delays and Impedance |
|--------------------------------------|----------------------------|-------|--------------------------------|-----------------------------------|--------|----------------------|
| | III | IV | | | | |
| 1 | -75V | -100V | 5000 pulses | 0.5 s | 5 s | 2 ms, 10 Ω |
| 2a | +37V | +50V | 5000 pulses | 0.2 s | 5 s | 50 μs, 2 Ω |
| 3a | -100V | -150V | 1h | 90 ms | 100 ms | 0.1 μs, 50 Ω |
| 3b | +75V | +100V | 1h | 90 ms | 100 ms | 0.1 μs, 50 Ω |
| 4 | -6V | -7V | 1 pulse | | | 100 ms, 0.01 Ω |
| 5b ⁽²⁾ | +65V | +87V | 1 pulse | | | 400 ms, 2 Ω |

Table 14. Electrical transient requirements (part 2/3)

| ISO 7637-2: 2004(E) test pulse | Test level results ⁽¹⁾ | |
|--------------------------------------|-----------------------------------|----|
| | III | IV |
| 1 | C | C |
| 2a | C | C |
| 3a | C | C |
| 3b | C | C |
| 4 | C | C |
| 5b ⁽²⁾ | C | C |

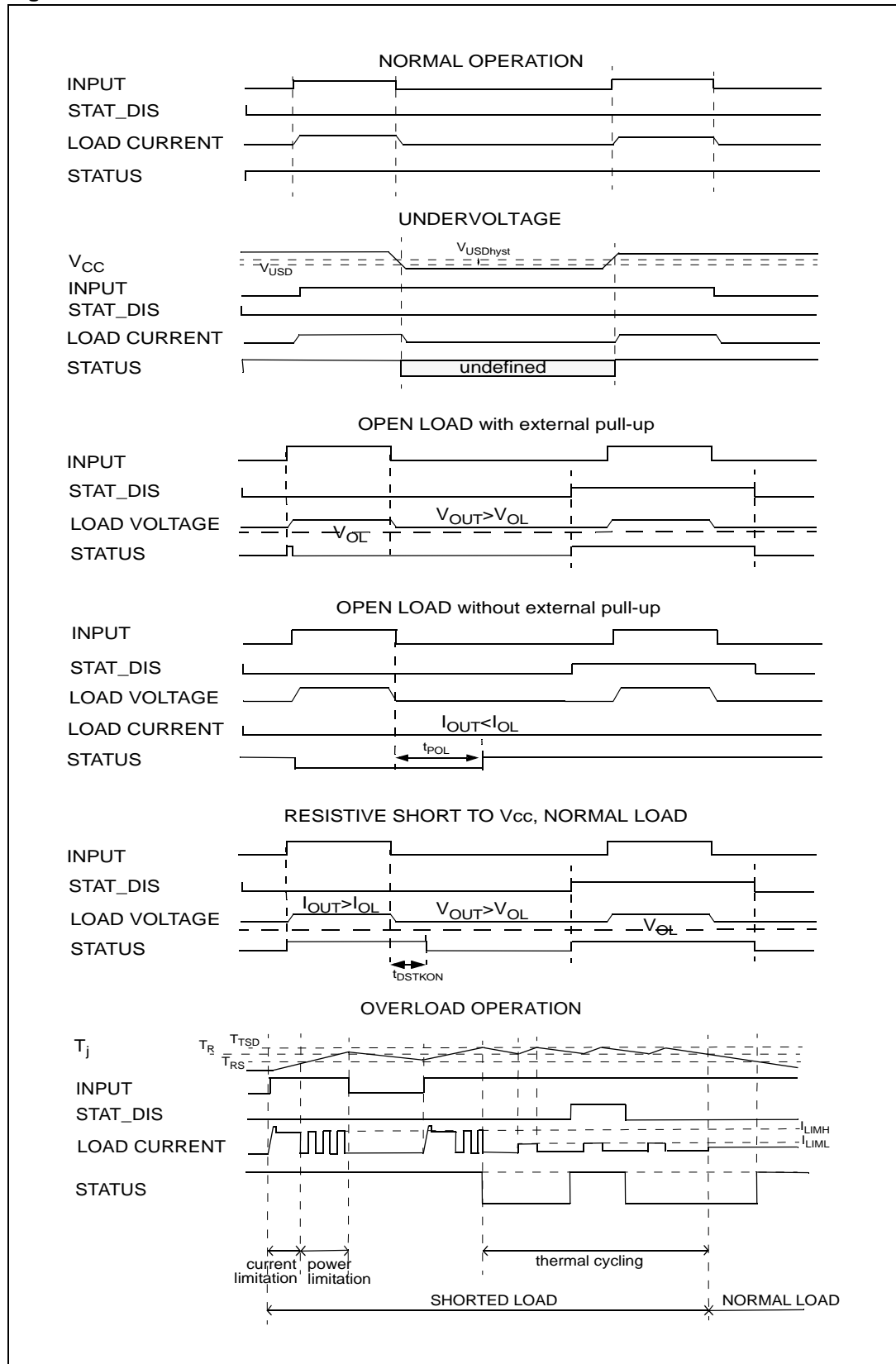
1. The above test levels must be considered referred to $V_{cc} = 13.5\text{V}$ except for pulse 5b.

2. Valid in case of external load dump clamp: 40V maximum referred to ground.

Table 15. Electrical transient requirements (part 3/3)

| Class | Contents |
|-------|--|
| C | All functions of the device are performed as designed after exposure to disturbance. |
| E | One or more functions of the device are not performed as designed after exposure to disturbance and cannot be returned to proper operation without replacing the |

Figure 7. Waveforms



2.4 Electrical characteristics curves

Figure 8. Off-state output current

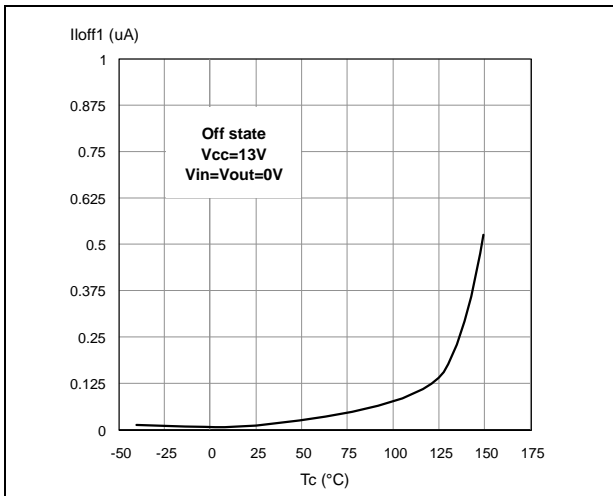


Figure 9. High level input current

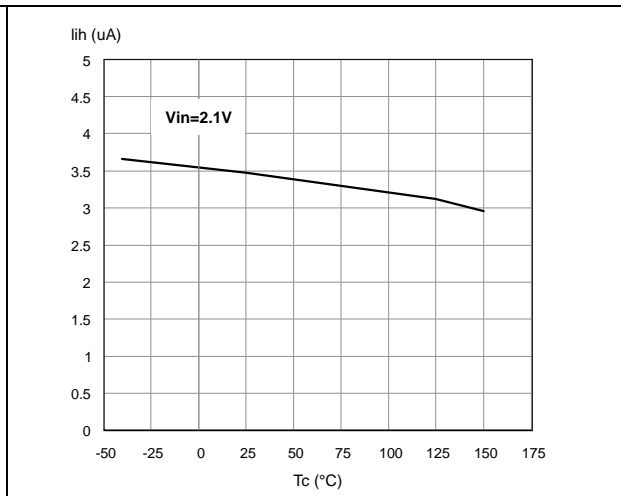


Figure 10. Input clamp voltage

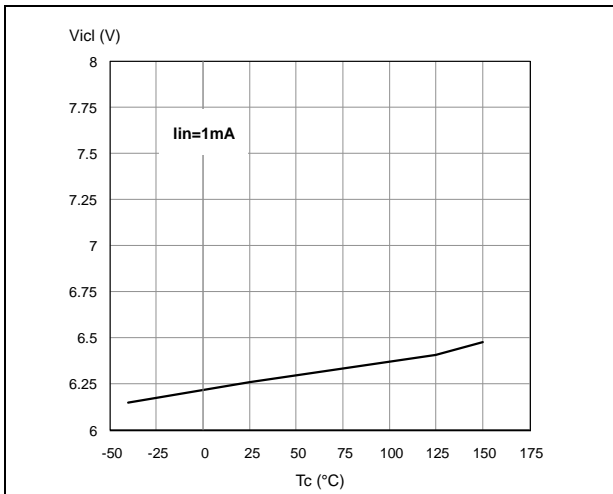


Figure 11. Input high level

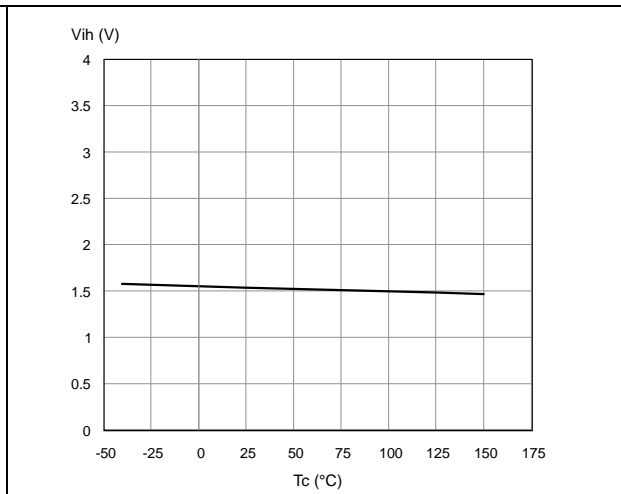


Figure 12. Input low level

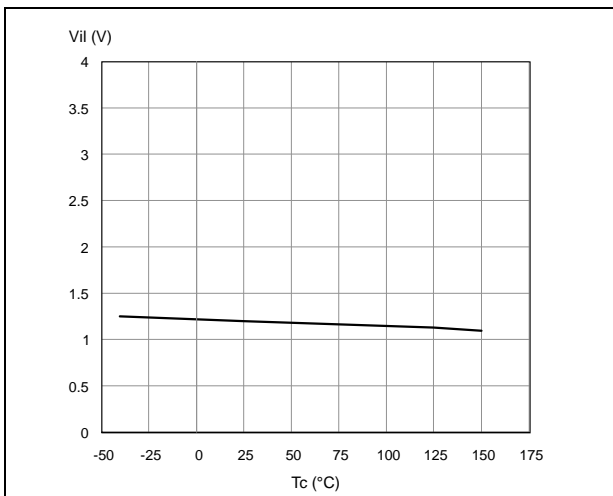


Figure 13. Input hysteresis voltage

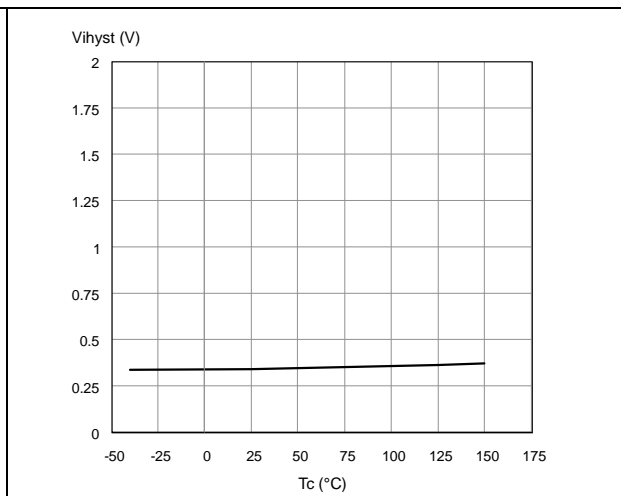


Figure 14. Status low output voltage

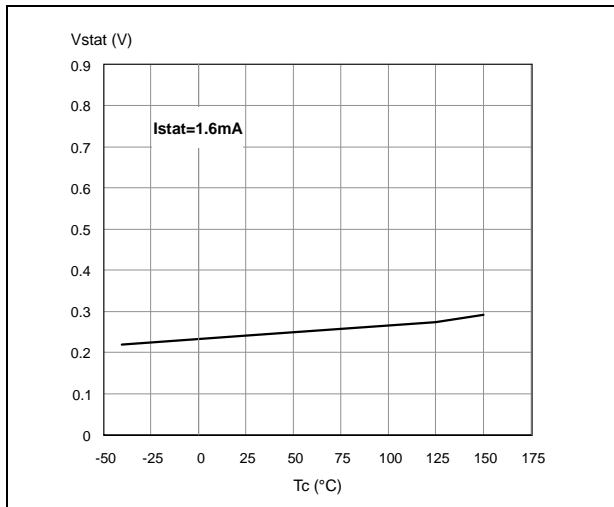


Figure 15. On-state resistance vs T_{case}

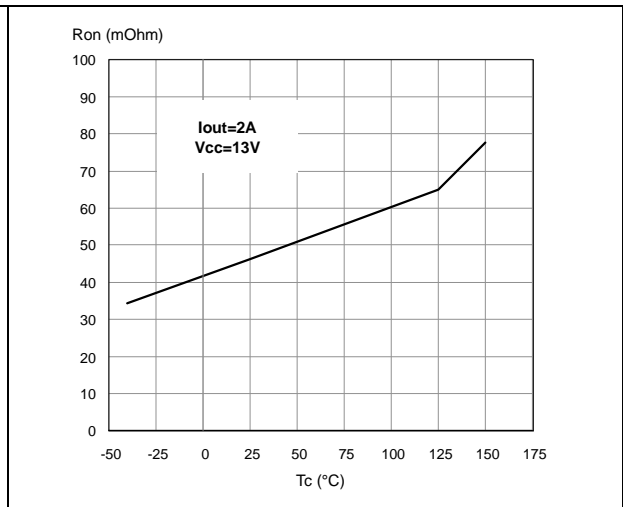


Figure 16. Status leakage current

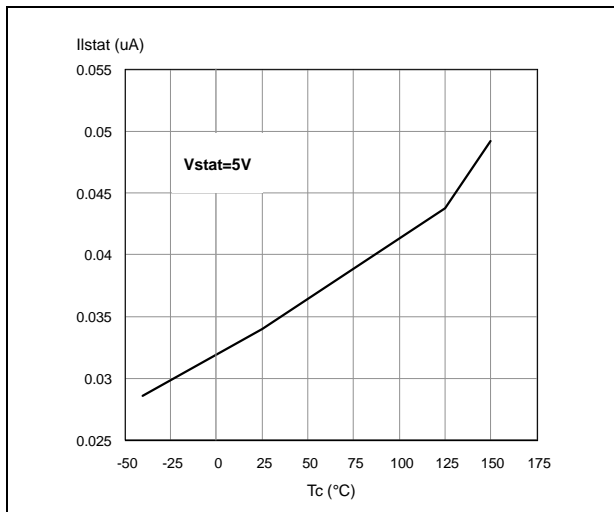


Figure 17. On-state resistance vs V_{CC}

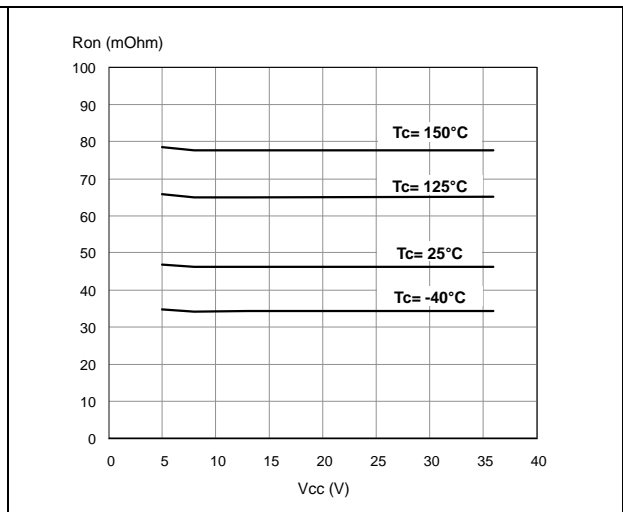


Figure 18. Status clamp voltage

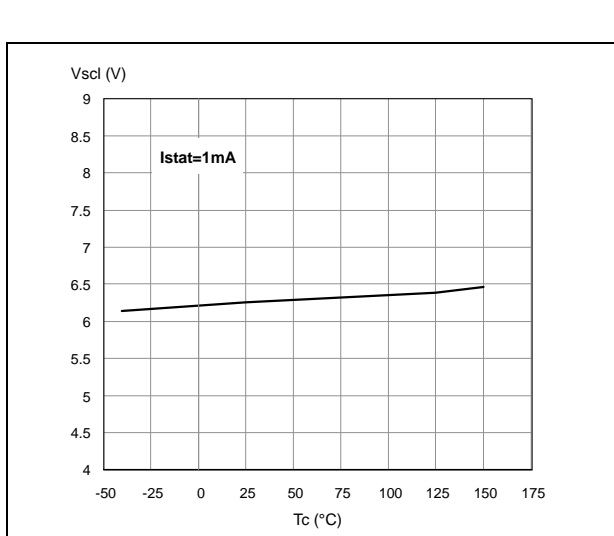


Figure 19. Openload on-state detection threshold

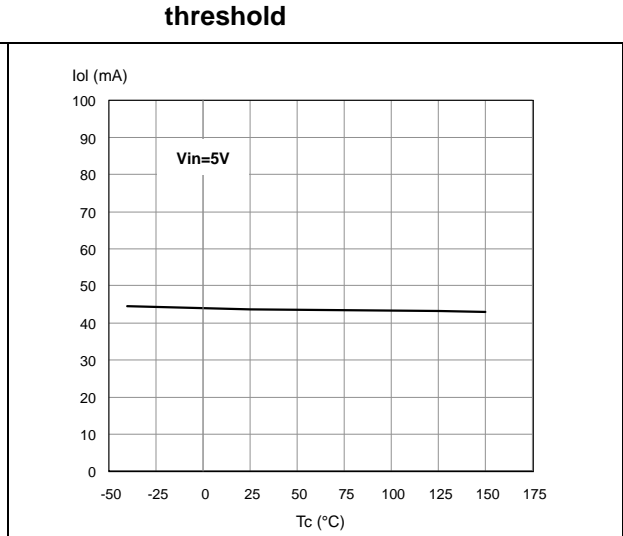


Figure 20. Openload off-state voltage detection threshold

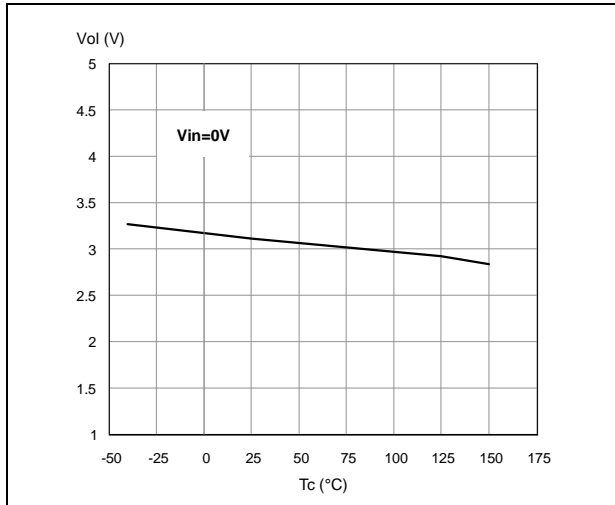


Figure 21. I_{LIM} vs T_{case}

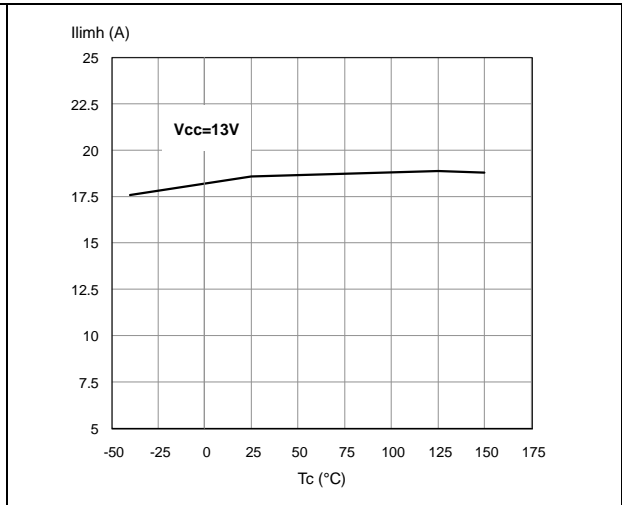


Figure 22. Turn-on voltage slope

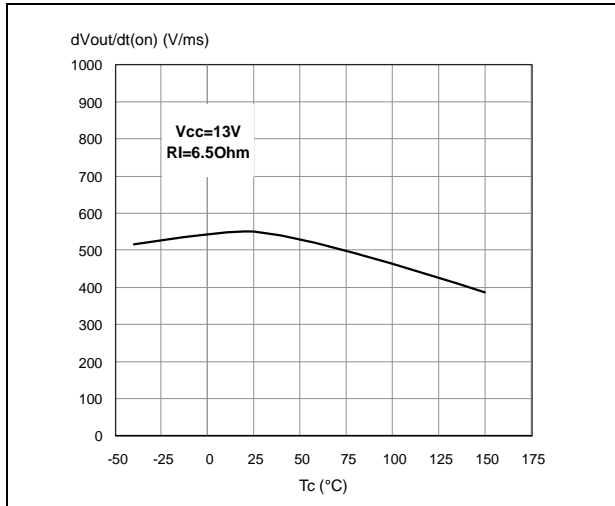


Figure 23. Undervoltage shutdown

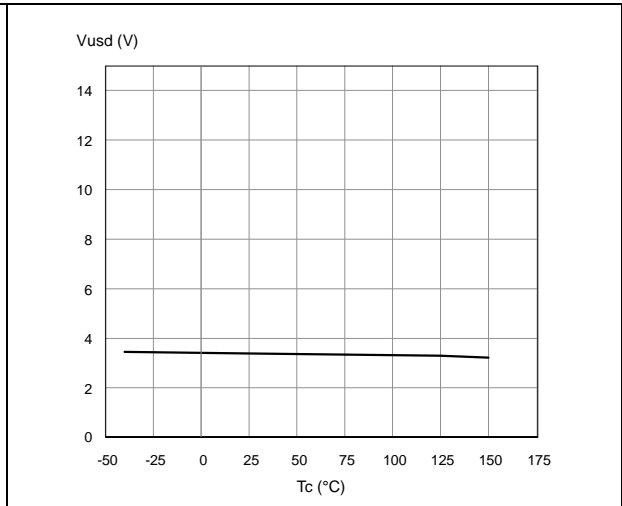


Figure 24. Turn-off voltage slope

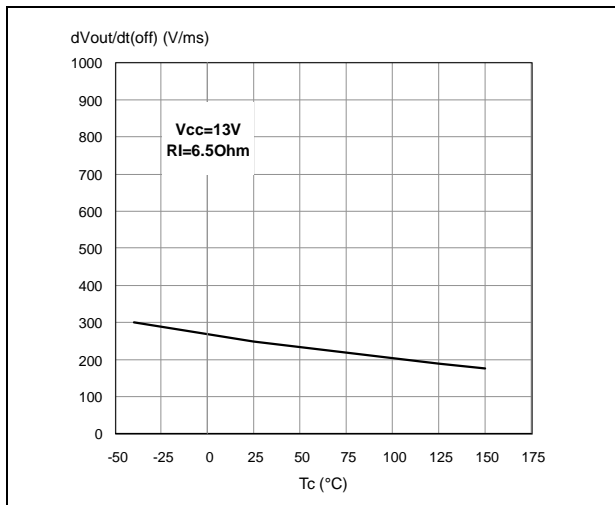


Figure 25. STAT_DIS clamp voltage

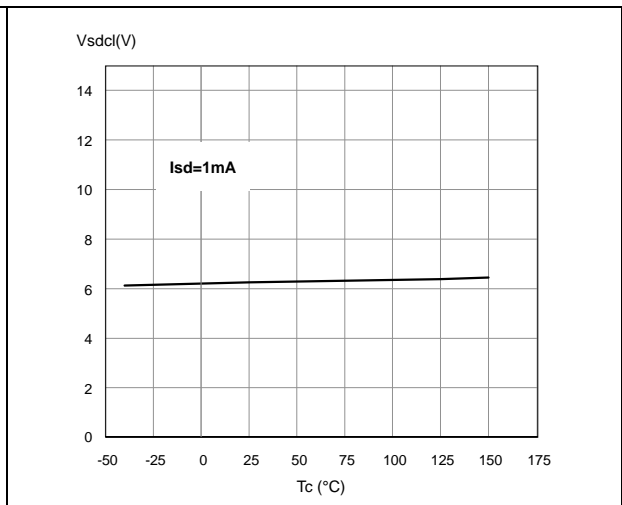


Figure 26. High level STAT_DIS voltage

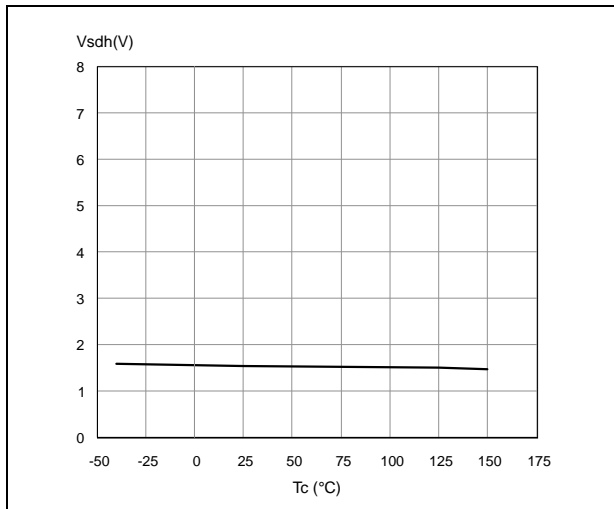
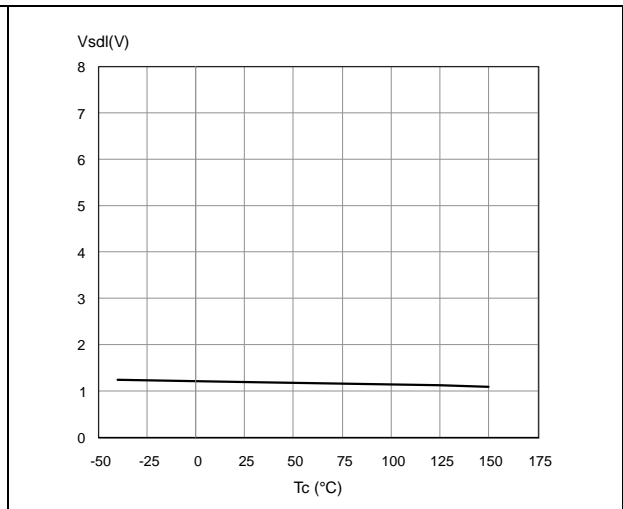
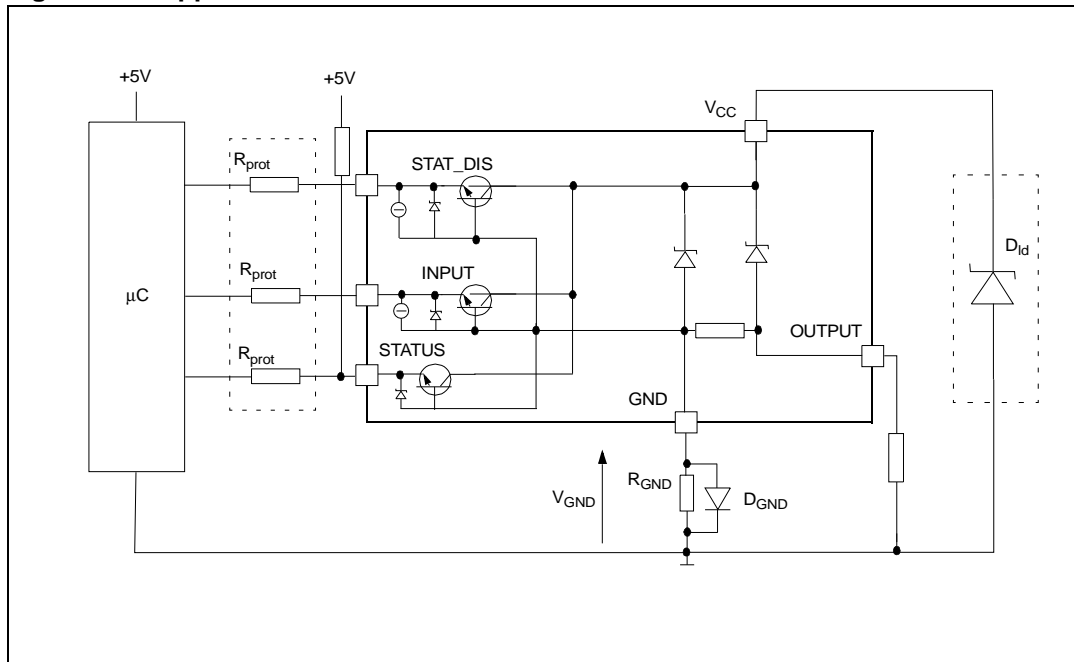


Figure 27. Low level STAT_DIS voltage



3 Application information

Figure 28. Application schematic



Note: Channel 2 has the same internal circuit as channel 1.

3.1 GND protection network against reverse battery

3.1.1 Solution 1: resistor in the ground line (R_{GND} only)

This can be used with any type of load.

The following is an indication on how to dimension the R_{GND} resistor.

1. $R_{GND} \leq 600\text{mV} / (I_{S(ON)max})$.
2. $R_{GND} \geq (-V_{CC}) / (-I_{GND})$

where $-I_{GND}$ is the DC reverse ground pin current and can be found in the absolute maximum rating section of the device datasheet.

Power Dissipation in R_{GND} (when $V_{CC} < 0$: during reverse battery situations) is:

$$P_D = (-V_{CC})^2 / R_{GND}$$

This resistor can be shared amongst several different HSDs. Please note that the value of this resistor should be calculated with formula (1) where $I_{S(ON)max}$ becomes the sum of the maximum on-state currents of the different devices.

Please note that if the microprocessor ground is not shared by the device ground then the R_{GND} will produce a shift ($I_{S(ON)max} * R_{GND}$) in the input thresholds and the status output values. This shift will vary depending on how many devices are ON in the case of several high side drivers sharing the same R_{GND}.

If the calculated power dissipation leads to a large resistor or several devices have to share the same resistor then ST suggests to utilize Solution 2 (see below).

3.1.2 Solution 2: a diode (D_{GND}) in the ground line

A resistor ($R_{GND}=1k\Omega$) should be inserted in parallel to D_{GND} if the device drives an inductive load.

This small signal diode can be safely shared amongst several different HSDs. Also in this case, the presence of the ground network will produce a shift ($\approx 600mV$) in the input threshold and in the status output values if the microprocessor ground is not common to the device ground. This shift will not vary if more than one HSD shares the same diode/resistor network.

3.2 Load dump protection

D_{ld} is necessary (Voltage Transient Suppressor) if the load dump peak voltage exceeds the V_{CC} max DC rating. The same applies if the device is subject to transients on the V_{CC} line that are greater than the ones shown in the ISO 7637-2: 2004(E) table.

3.3 Microcontroller I/Os protection

If a ground protection network is used and negative transients are present on the V_{CC} line, the control pins will be pulled negative. ST suggests to insert a resistor (R_{prot}) in line to prevent the μC I/Os pins to latch-up.

The value of these resistors is a compromise between the leakage current of μC and the current required by the HSD I/Os (Input levels compatibility) with the latch-up limit of μC I/Os.

$$-V_{CCpeak}/I_{latchup} \leq R_{prot} \leq (V_{OH\mu C} - V_{IH} - V_{GND}) / I_{IHmax}$$

Calculation example:

For $V_{CCpeak} = -100V$ and $I_{latchup} \geq 20mA$; $V_{OH\mu C} \geq 4.5V$

$$5k\Omega \leq R_{prot} \leq 180k\Omega$$

Recommended values: $R_{prot} = 10k\Omega$.

3.4 Open-load detection in off-state

Off-state open load detection requires an external pull-up resistor (R_{PU}) connected between OUTPUT pin and a positive supply voltage (V_{PU}) like the +5V line used to supply the microprocessor.

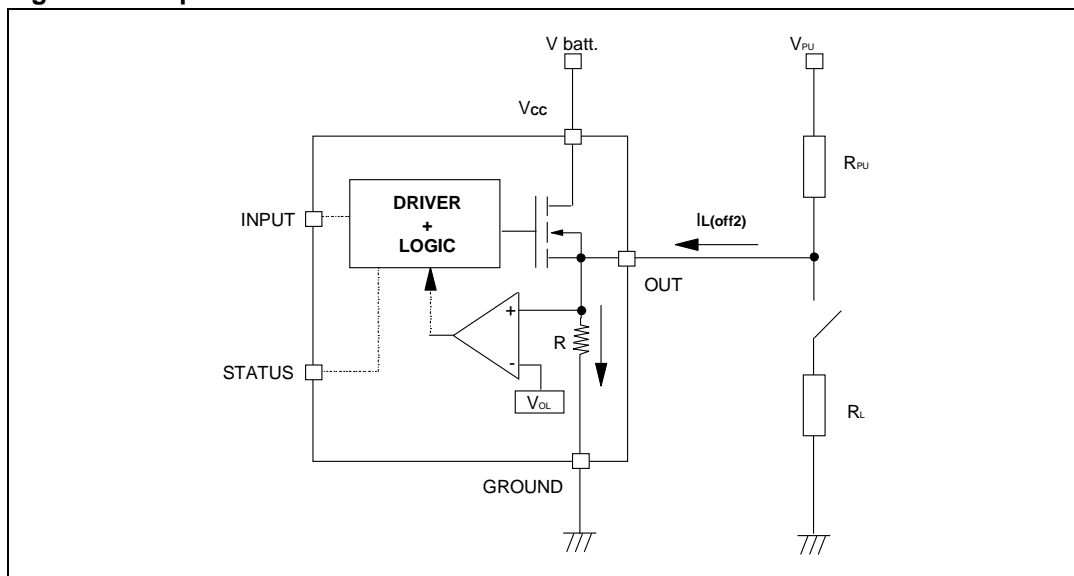
The external resistor has to be selected according to the following requirements:

- no false open load indication when load is connected: in this case we have to avoid V_{OUT} to be higher than V_{OLmin} ; this results in the following condition $V_{OUT} = (V_{PU} / (R_L + R_{PU})) R_L < V_{OLmin}$.
- no misdetection when load is disconnected: in this case the V_{OUT} has to be higher than V_{OLmax} ; this results in the following condition $R_{PU} < (V_{PU} - V_{OLmax}) / I_{L(off2)}$.

Because $I_{s(OFF)}$ may significantly increase if V_{out} is pulled high (up to several mA), the pull-up resistor R_{PU} should be connected to a supply that is switched OFF when the module is in standby.

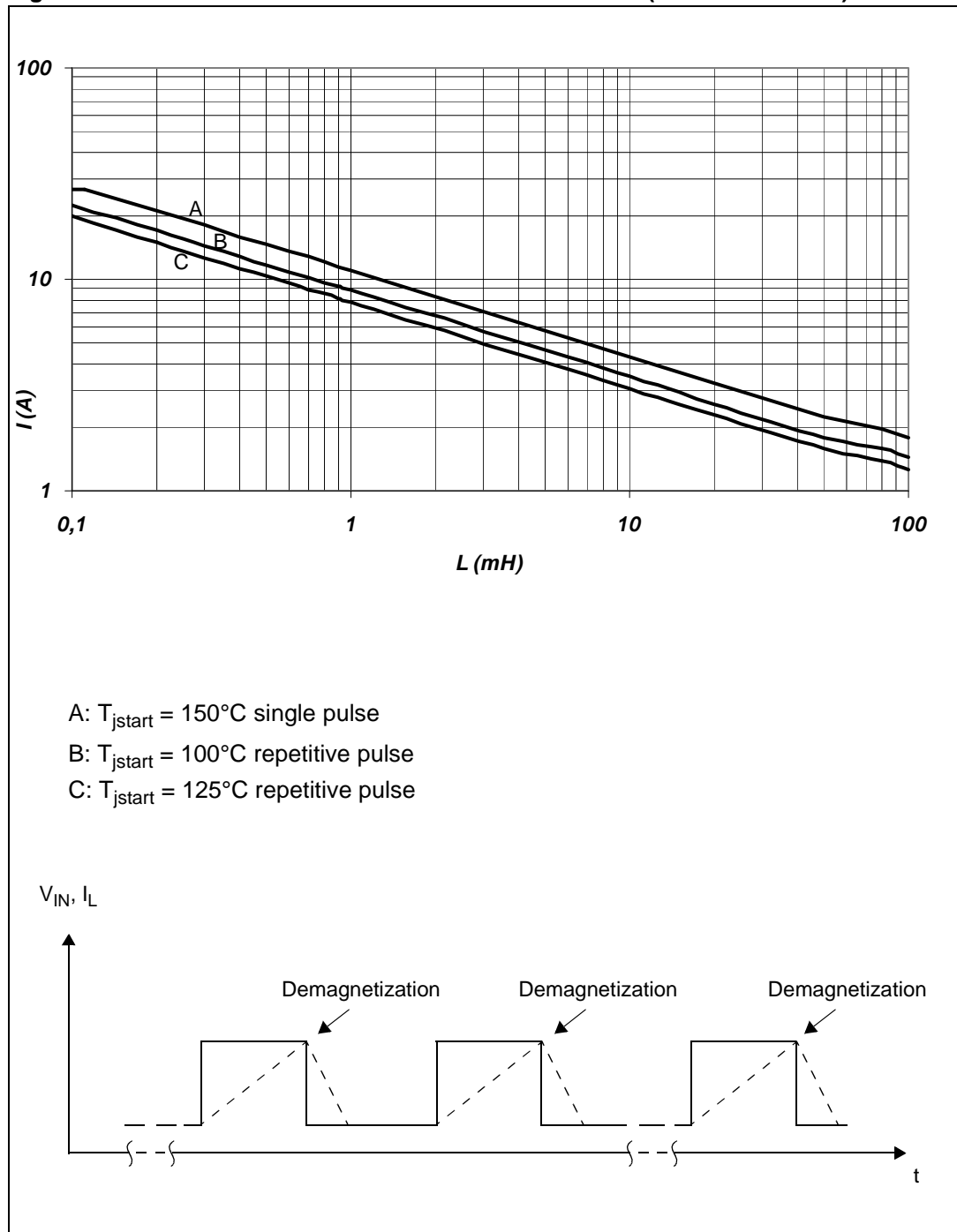
The values of V_{OLmin} , V_{OLmax} and $I_{L(off2)}$ are available in the Electrical Characteristics section.

Figure 29. Open-load detection in off-state



3.5 Maximum demagnetization energy ($V_{CC} = 13.5V$)

Figure 30. Maximum turn-off current versus inductance (for each channel)

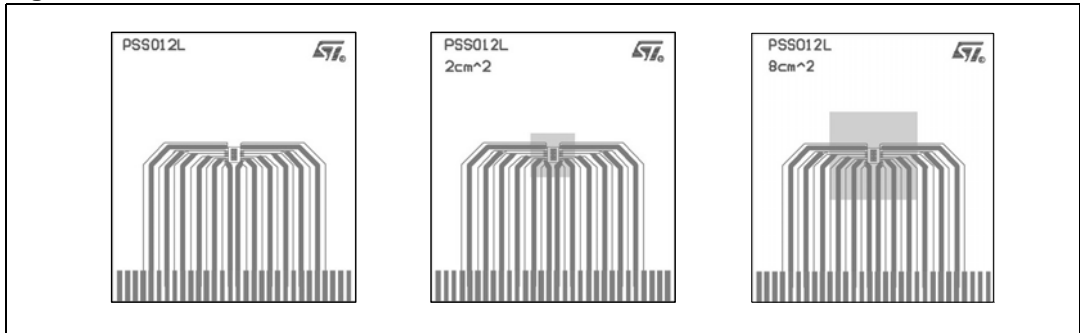


Note: Values are generated with $R_L = 0\Omega$. In case of repetitive pulses, T_{jstart} (at beginning of each demagnetization) of every pulse must not exceed the temperature specified above for curves A and B.

4 Package and PCB thermal data

4.1 PowerSSO-12™ thermal data

Figure 31. PowerSSO-12™ PC board



Note: Layout condition of R_{th} and Z_{th} measurements (PCB: Double layer, Thermal Vias, FR4 area= 77mm x 86mm, PCB thickness=1.6mm, Cu thickness=70 μ m (front and back side), Copper areas: from minimum pad lay-out to 8cm²).

Figure 32. $R_{thj-amb}$ vs PCB copper area in open box free air condition (one channel on)

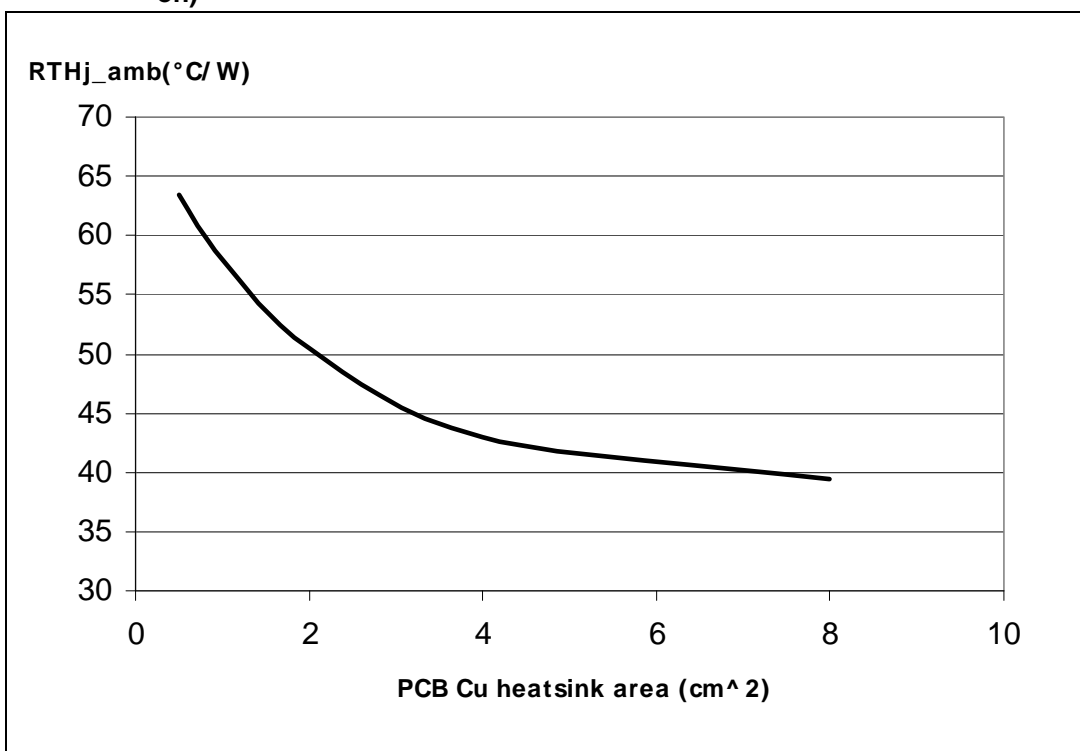
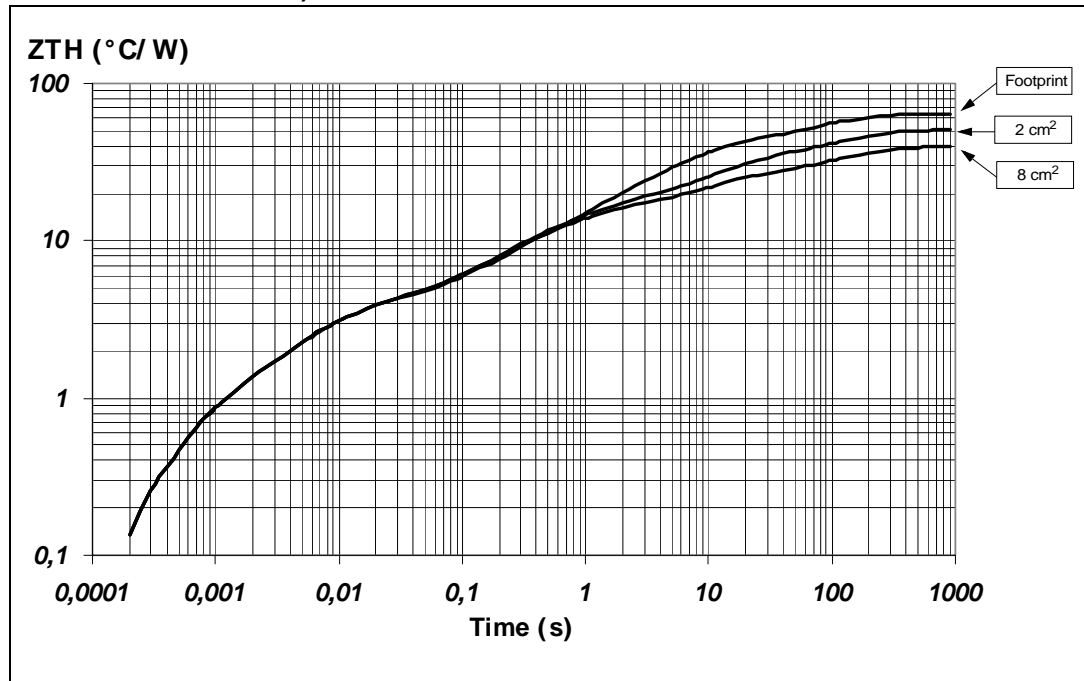


Figure 33. PowerSSO-12™ thermal impedance junction ambient single pulse (one channel on)

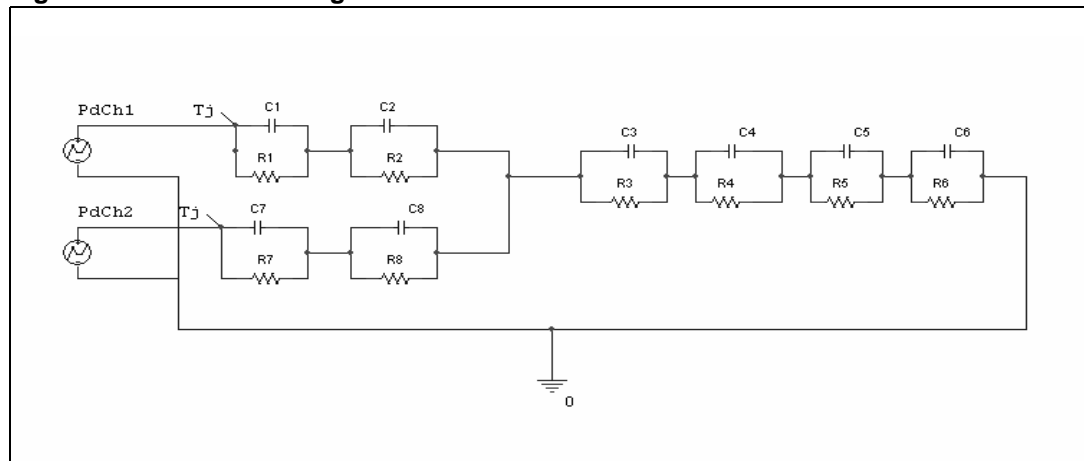


Equation 1: pulse calculation formula

$$Z_{TH\delta} = R_{TH} \cdot \delta + Z_{THtp}(1 - \delta)$$

where $\delta = t_p/T$

Figure 34. Thermal fitting model of a double channel HSD in PowerSSO-12™(a)



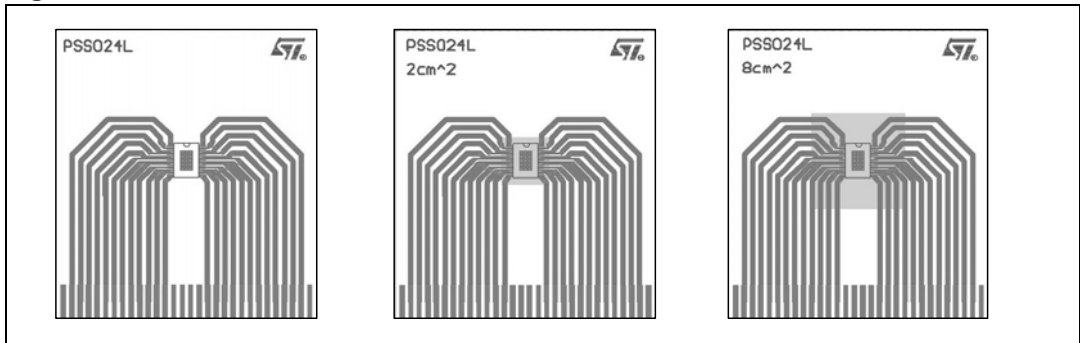
a. The fitting model is a simplified thermal tool and is valid for transient evolutions where the embedded protections (power limitation or thermal cycling during thermal shutdown) are not triggered.

Table 16. PowerSSO-12™ thermal parameters

| Area/island (cm ²) | Footprint | 2 | 8 |
|--------------------------------|-----------|-----|-----|
| R1= R7 (°C/W) | 0.7 | | |
| R2= R8 (°C/W) | 2.8 | | |
| R3 (°C/W) | 4 | | |
| R4 (°C/W) | 8 | 8 | 7 |
| R5 (°C/W) | 22 | 15 | 10 |
| R6 (°C/W) | 26 | 20 | 15 |
| C1= C7 (W.s/°C) | 0.001 | | |
| C2= C8 (W.s/°C) | 0.0025 | | |
| C3 (W.s/°C) | 0.05 | | |
| C4 (W.s/°C) | 0.2 | 0.1 | 0.1 |
| C5 (W.s/°C) | 0.27 | 0.8 | 1 |
| C6 (W.s/°C) | 3 | 6 | 9 |

4.2 PowerSSO-24™ thermal data

Figure 35. PowerSSO-24™ PC board



Note: Layout condition of R_{th} and Z_{th} measurements (PCB: Double layer, Thermal Vias, FR4 area= 77mm x 86mm, PCB thickness=1.6mm, Cu thickness=70μm (front and back side), Copper areas: from minimum pad lay-out to 8cm²).

Figure 36. $R_{thj-amb}$ vs PCB copper area in open box free air condition (one channel on)

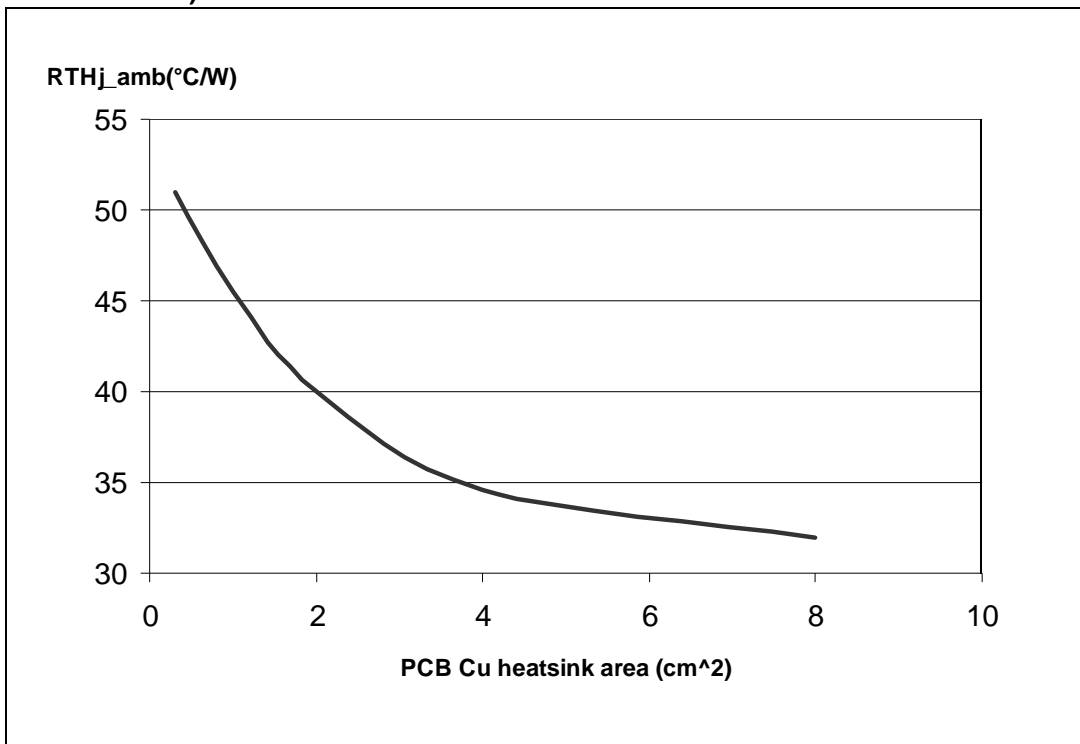
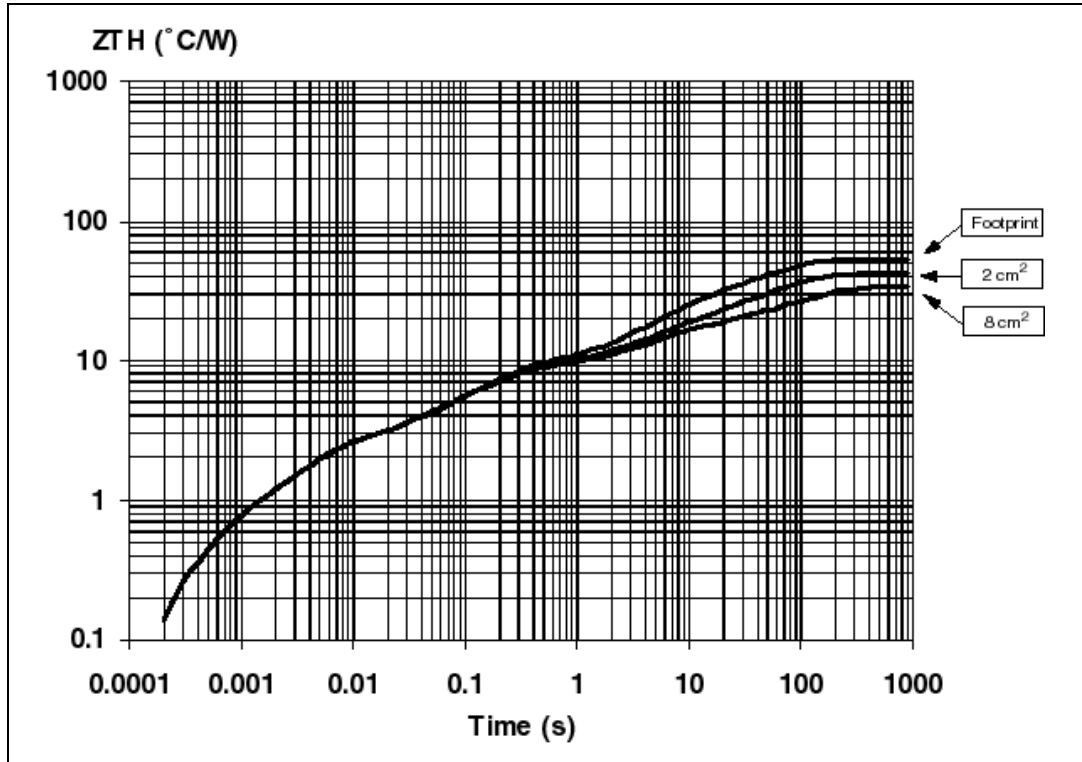


Figure 37. PowerSSO-24™ thermal impedance junction ambient single pulse (one channel on)

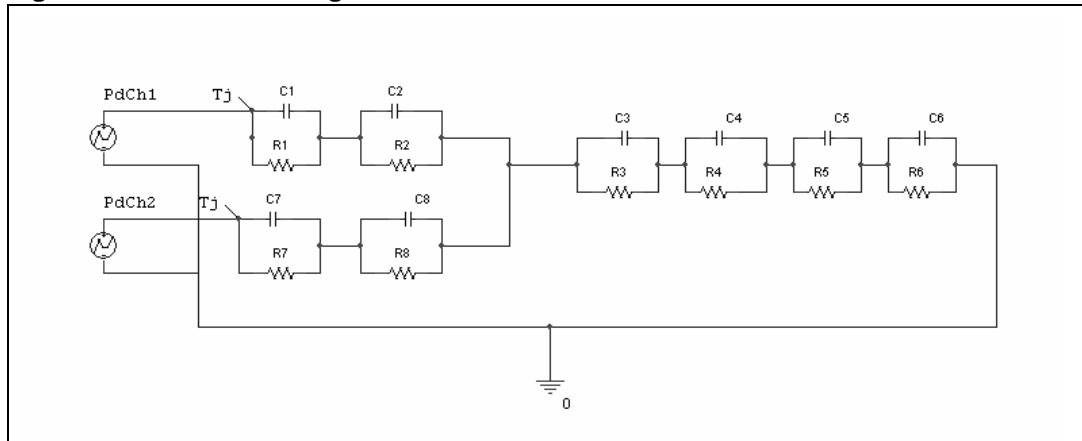


Equation 2: pulse calculation formula

$$Z_{TH\delta} = R_{TH} \cdot \delta + Z_{THtp}(1 - \delta)$$

where $\delta = t_p/T$

Figure 38. Thermal fitting model of a double channel HSD in PowerSSO-24™(b)



b. The fitting model is a simplified thermal tool and is valid for transient evolutions where the embedded protections (power limitation or thermal cycling during thermal shutdown) are not triggered.

Table 17. PowerSSO-24™ thermal parameters

| Area/island (cm ²) | Footprint | 2 | 8 |
|--------------------------------|-----------|----|----|
| R1=R7 (°C/W) | 0.4 | | |
| R2=R8 (°C/W) | 2 | | |
| R3 (°C/W) | 6 | | |
| R4 (°C/W) | 7.7 | | |
| R5 (°C/W) | 9 | 9 | 8 |
| R6 (°C/W) | 28 | 17 | 10 |
| C1=C7 (W.s/°C) | 0.001 | | |
| C2=C8 (W.s/°C) | 0.0022 | | |
| C3 (W.s/°C) | 0.025 | | |
| C4 (W.s/°C) | 0.75 | | |
| C5 (W.s/°C) | 1 | 4 | 9 |
| C6 (W.s/°C) | 2.2 | 5 | 17 |

5 Package and packing information

5.1 ECOPACK[®] packages

In order to meet environmental requirements, ST offers these devices in different grades of ECOPACK[®] packages, depending on their level of environmental compliance. ECOPACK[®] specifications, grade definitions and product status are available at: www.st.com.

ECOPACK[®] is an ST trademark.

5.2 PowerSSO-12[™] package information

Figure 39. PowerSSO-12[™] package dimensions

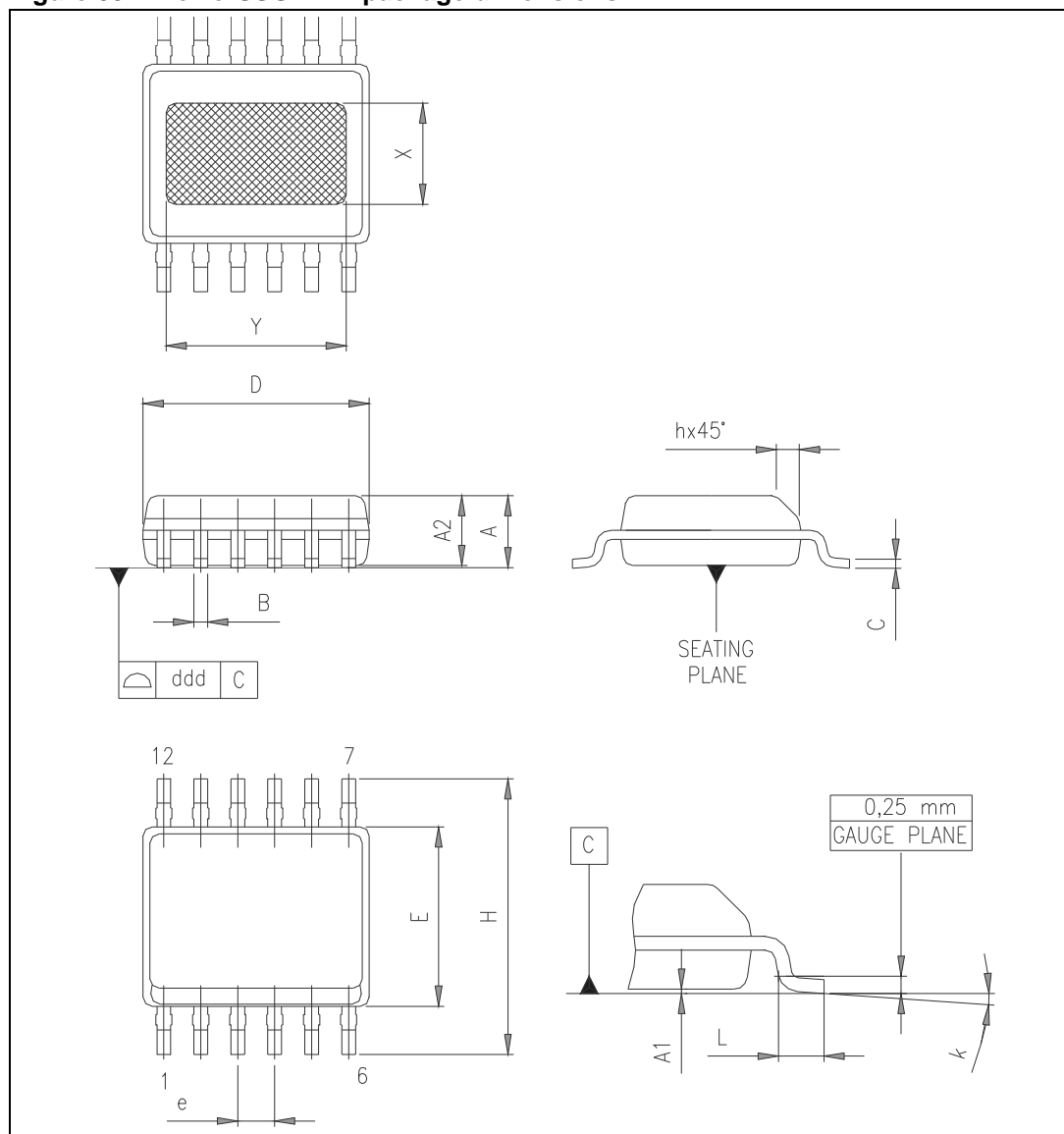


Table 18. PowerSSO-12™ mechanical data

| Symbol | Millimeters | | |
|--------|-------------|------|------|
| | Min. | Typ. | Max. |
| A | 1.25 | | 1.62 |
| A1 | 0 | | 0.1 |
| A2 | 1.10 | | 1.65 |
| B | 0.23 | | 0.41 |
| C | 0.19 | | 0.25 |
| D | 4.8 | | 5.0 |
| E | 3.8 | | 4.0 |
| e | | 0.8 | |
| H | 5.8 | | 6.2 |
| h | 0.25 | | 0.5 |
| L | 0.4 | | 1.27 |
| k | 0° | | 8° |
| X | 1.9 | | 2.5 |
| Y | 3.6 | | 4.2 |
| ddd | | | 0.1 |

5.3 PowerSSO-24™ package information

Figure 40. PowerSSO-24™ package dimensions

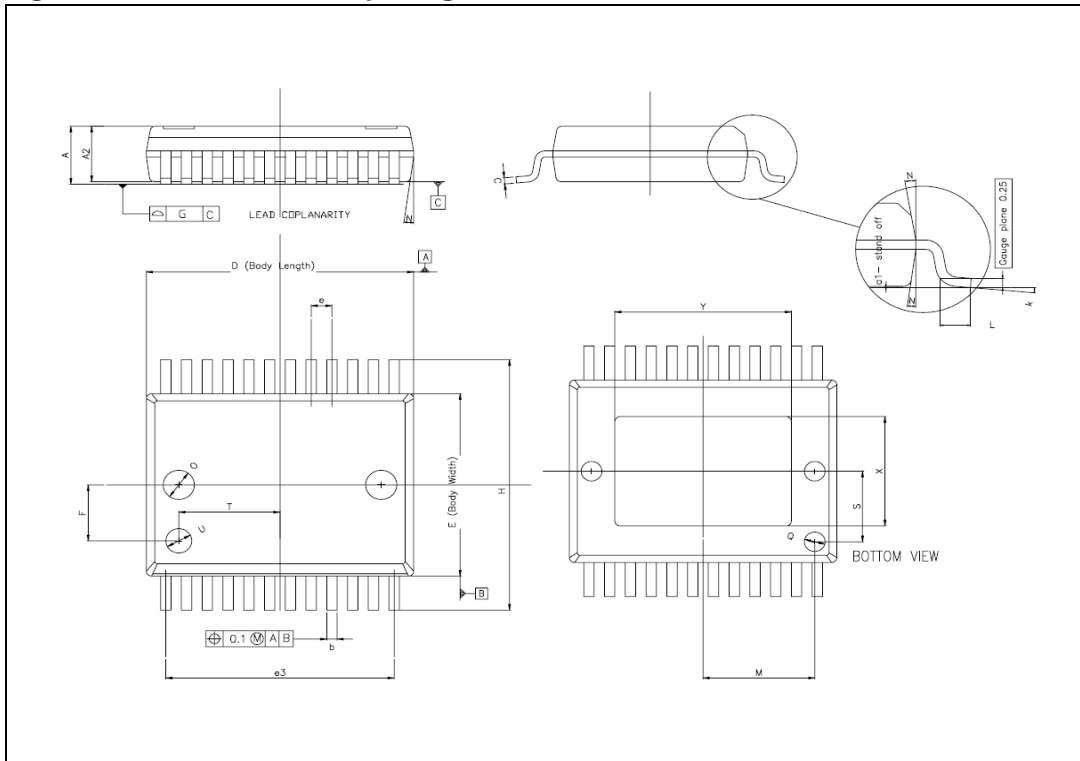


Table 19. PowerSSO-24™ mechanical data

| Symbol | Millimeters | | |
|--------|-------------|------|-------|
| | Min. | Typ. | Max. |
| A | | | 2.45 |
| A2 | 2.15 | | 2.35 |
| a1 | 0 | | 0.1 |
| b | 0.33 | | 0.51 |
| c | 0.23 | | 0.32 |
| D | 10.10 | | 10.50 |
| E | 7.4 | | 7.6 |
| e | | 0.8 | |
| e3 | | 8.8 | |
| F | | 2.3 | |
| G | | | 0.1 |
| H | 10.1 | | 10.5 |

Table 19. PowerSSO-24™ mechanical data (continued)

| Symbol | Millimeters | | |
|--------|-------------|------|-------|
| | Min. | Typ. | Max. |
| h | | | 0.4 |
| k | 0deg | | 8deg |
| L | 0.55 | | 0.85 |
| O | | 1.2 | |
| Q | | 0.8 | |
| S | | 2.9 | |
| T | | 3.65 | |
| U | | 1.0 | |
| N | | | 10deg |
| X | 4.1 | | 4.7 |
| Y | 6.5 | | 7.1 |

5.4 PowerSSO-12™ packing information

Figure 41. PowerSSO-12™ tube shipment (no suffix)

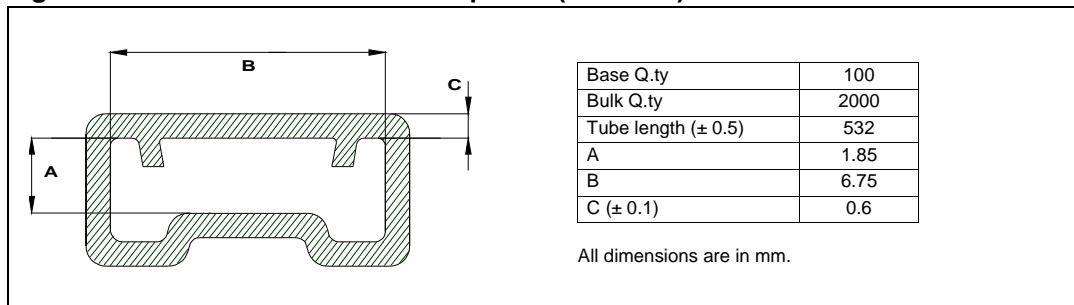
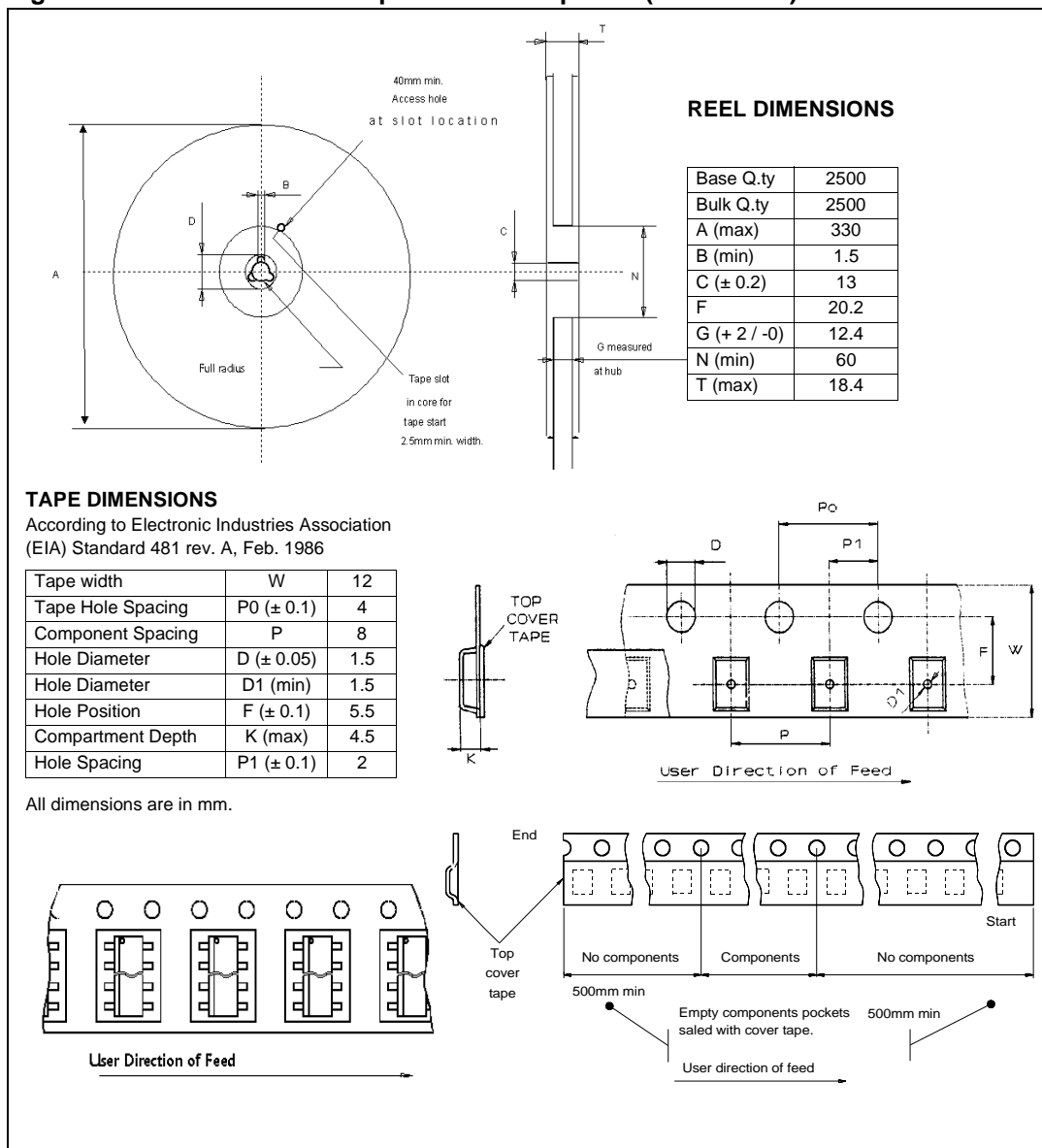


Figure 42. PowerSSO-12™ tape and reel shipment (suffix “TR”)



5.5 PowerSSO-24™ packing information

Figure 43. PowerSSO-24™ tube shipment (no suffix)

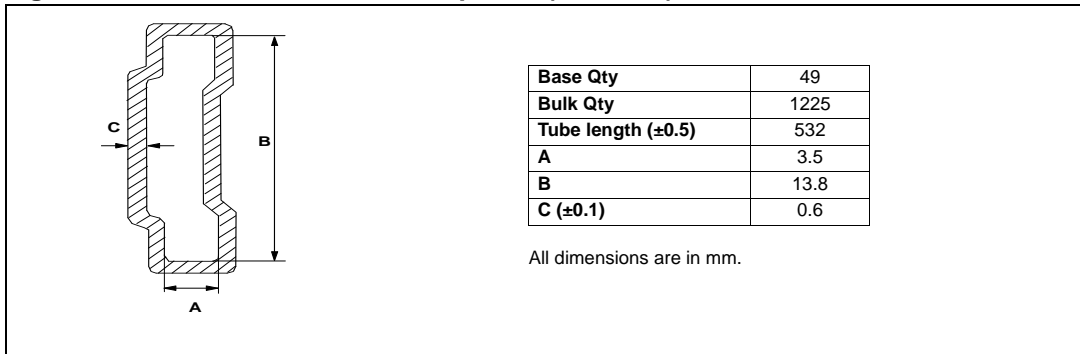
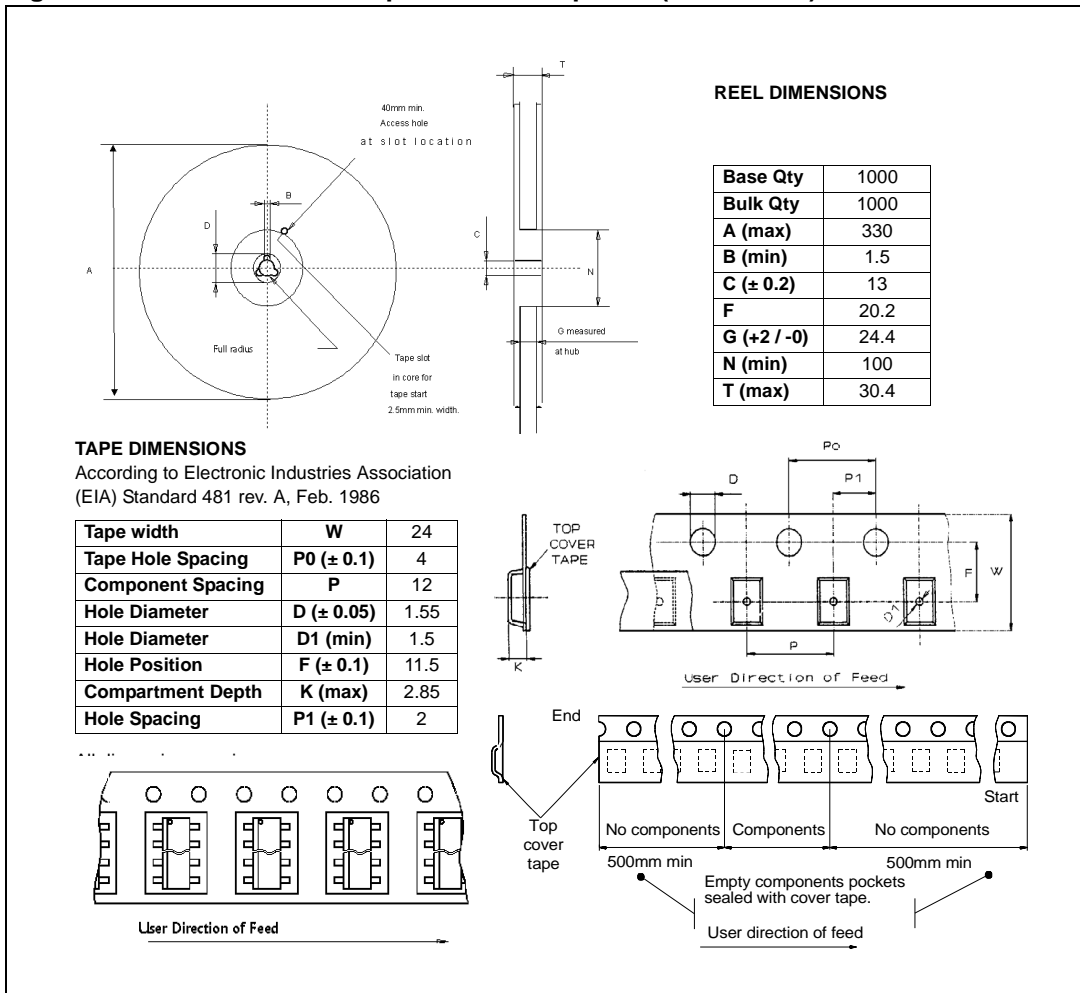


Figure 44. PowerSSO-24™ tape and reel shipment (suffix “TR”)



6 Revision history

Table 20. Document revision history

| Date | Revision | Changes |
|-------------|----------|---|
| 30-Mar-2006 | 1 | Initial release. |
| 11-Jan-2007 | 2 | Minor formatting changes. New disclaimer attached. |
| 31-May-2007 | 3 | Reformatted and restructured. Contents and lists of tables and figures added. <i>Section 3.5: Maximum demagnetization energy (VCC = 13.5V)</i> added. <i>Table 4: Absolute maximum ratings:</i> E _{MAX} entries updated. <i>Table 13: Electrical transient requirements (part 1/3):</i> Test level values III and IV for test pulse 5b and notes updated <i>Figure 34: Thermal fitting model of a double channel HSD in PowerSSO-12™, Figure 38: Thermal fitting model of a double channel HSD in PowerSSO-24™:</i> added notes. Features table updated: I _{LIMH} changed from 19 to 18A. |
| 03-Dec-2007 | 4 | Updated <i>Section 4.1: PowerSSO-12™ thermal data:</i> – Changed <i>Figure 32: R_{thj-amb} vs PCB copper area in open box free air condition (one channel on).</i> – Changed <i>Figure 33: PowerSSO-12™ thermal impedance junction ambient single pulse (one channel on).</i> – Updated <i>Table 16: PowerSSO-12™ thermal parameters:</i> R3 value changed from 7 to 4 °C/W. R4 values changed from 10 /10 /10 to 8 /8 /7 °C/W. |
| 17-Jun-2009 | 5 | <i>Table 19: PowerSSO-24™ mechanical data:</i> – Deleted A (min) value – Changed A (max) value from 2.47 to 2.45 – Changed A2 (max) value from 2.40 to 2.35 – Changed a1 (max) value from 0.075 to 0.1 – Added F and k rows |
| 22-Jul-2009 | 6 | Updated <i>Figure 40: PowerSSO-24™ package dimensions.</i> Updated <i>Table 19: PowerSSO-24™ mechanical data:</i> – Deleted G1 row – Added O, Q, S, T and U rows. |
| 23-Sep-2013 | 7 | Updated Disclaimer. |

Please Read Carefully:

Information in this document is provided solely in connection with ST products. STMicroelectronics NV and its subsidiaries ("ST") reserve the right to make changes, corrections, modifications or improvements, to this document, and the products and services described herein at any time, without notice.

All ST products are sold pursuant to ST's terms and conditions of sale.

Purchasers are solely responsible for the choice, selection and use of the ST products and services described herein, and ST assumes no liability whatsoever relating to the choice, selection or use of the ST products and services described herein.

No license, express or implied, by estoppel or otherwise, to any intellectual property rights is granted under this document. If any part of this document refers to any third party products or services it shall not be deemed a license grant by ST for the use of such third party products or services, or any intellectual property contained therein or considered as a warranty covering the use in any manner whatsoever of such third party products or services or any intellectual property contained therein.

UNLESS OTHERWISE SET FORTH IN ST'S TERMS AND CONDITIONS OF SALE ST DISCLAIMS ANY EXPRESS OR IMPLIED WARRANTY WITH RESPECT TO THE USE AND/OR SALE OF ST PRODUCTS INCLUDING WITHOUT LIMITATION IMPLIED WARRANTIES OF MERCHANTABILITY, FITNESS FOR A PARTICULAR PURPOSE (AND THEIR EQUIVALENTS UNDER THE LAWS OF ANY JURISDICTION), OR INFRINGEMENT OF ANY PATENT, COPYRIGHT OR OTHER INTELLECTUAL PROPERTY RIGHT.

ST PRODUCTS ARE NOT DESIGNED OR AUTHORIZED FOR USE IN: (A) SAFETY CRITICAL APPLICATIONS SUCH AS LIFE SUPPORTING, ACTIVE IMPLANTED DEVICES OR SYSTEMS WITH PRODUCT FUNCTIONAL SAFETY REQUIREMENTS; (B) AERONAUTIC APPLICATIONS; (C) AUTOMOTIVE APPLICATIONS OR ENVIRONMENTS, AND/OR (D) AEROSPACE APPLICATIONS OR ENVIRONMENTS. WHERE ST PRODUCTS ARE NOT DESIGNED FOR SUCH USE, THE PURCHASER SHALL USE PRODUCTS AT PURCHASER'S SOLE RISK, EVEN IF ST HAS BEEN INFORMED IN WRITING OF SUCH USAGE, UNLESS A PRODUCT IS EXPRESSLY DESIGNATED BY ST AS BEING INTENDED FOR "AUTOMOTIVE, AUTOMOTIVE SAFETY OR MEDICAL" INDUSTRY DOMAINS ACCORDING TO ST PRODUCT DESIGN SPECIFICATIONS. PRODUCTS FORMALLY ESCC, QML OR JAN QUALIFIED ARE DEEMED SUITABLE FOR USE IN AEROSPACE BY THE CORRESPONDING GOVERNMENTAL AGENCY.

Resale of ST products with provisions different from the statements and/or technical features set forth in this document shall immediately void any warranty granted by ST for the ST product or service described herein and shall not create or extend in any manner whatsoever, any liability of ST.

ST and the ST logo are trademarks or registered trademarks of ST in various countries.

Information in this document supersedes and replaces all information previously supplied.

The ST logo is a registered trademark of STMicroelectronics. All other names are the property of their respective owners.

© 2013 STMicroelectronics - All rights reserved

STMicroelectronics group of companies

Australia - Belgium - Brazil - Canada - China - Czech Republic - Finland - France - Germany - Hong Kong - India - Israel - Italy - Japan - Malaysia - Malta - Morocco - Philippines - Singapore - Spain - Sweden - Switzerland - United Kingdom - United States of America

www.st.com

Данный компонент на территории Российской Федерации

Вы можете приобрести в компании MosChip.

Для оперативного оформления запроса Вам необходимо перейти по данной ссылке:

<http://moschip.ru/get-element>

Вы можете разместить у нас заказ для любого Вашего проекта, будь то серийное производство или разработка единичного прибора.

В нашем ассортименте представлены ведущие мировые производители активных и пассивных электронных компонентов.

Нашей специализацией является поставка электронной компонентной базы двойного назначения, продукции таких производителей как XILINX, Intel (ex.ALTERA), Vicor, Microchip, Texas Instruments, Analog Devices, Mini-Circuits, Amphenol, Glenair.

Сотрудничество с глобальными дистрибьюторами электронных компонентов, предоставляет возможность заказывать и получать с международных складов практически любой перечень компонентов в оптимальные для Вас сроки.

На всех этапах разработки и производства наши партнеры могут получить квалифицированную поддержку опытных инженеров.

Система менеджмента качества компании отвечает требованиям в соответствии с ГОСТ Р ИСО 9001, ГОСТ РВ 0015-002 и ЭС РД 009

Офис по работе с юридическими лицами:

105318, г.Москва, ул.Щербаковская д.3, офис 1107, 1118, ДЦ «Щербаковский»

Телефон: +7 495 668-12-70 (многоканальный)

Факс: +7 495 668-12-70 (доб.304)

E-mail: info@moschip.ru

Skype отдела продаж:

moschip.ru

moschip.ru_4

moschip.ru_6

moschip.ru_9