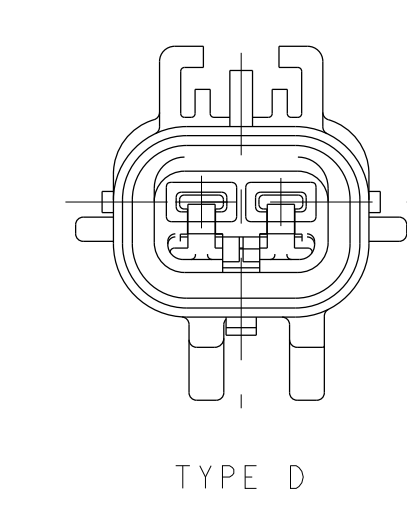
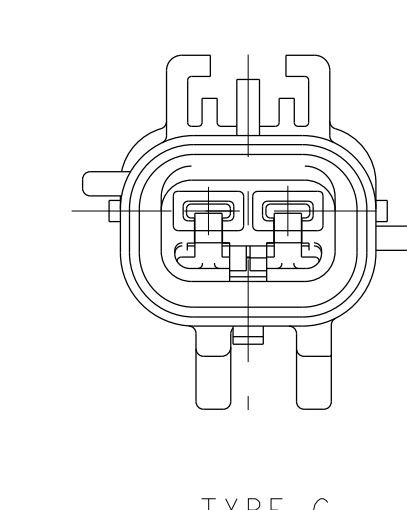
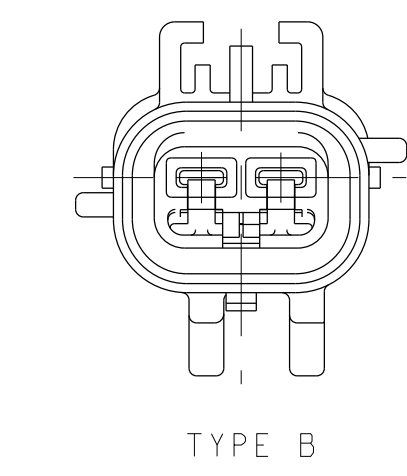
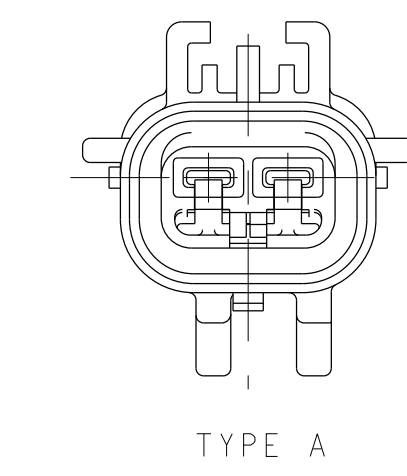
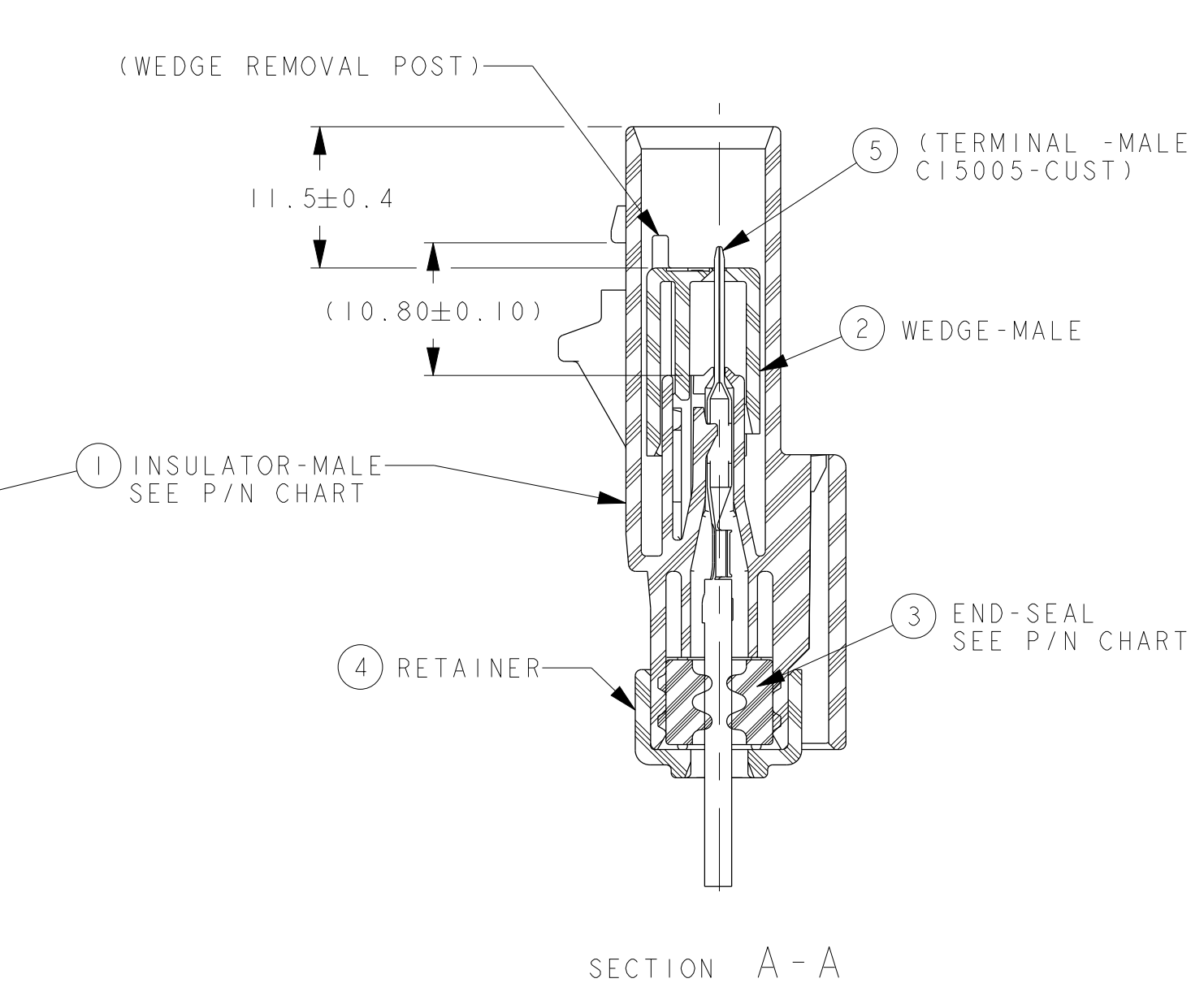
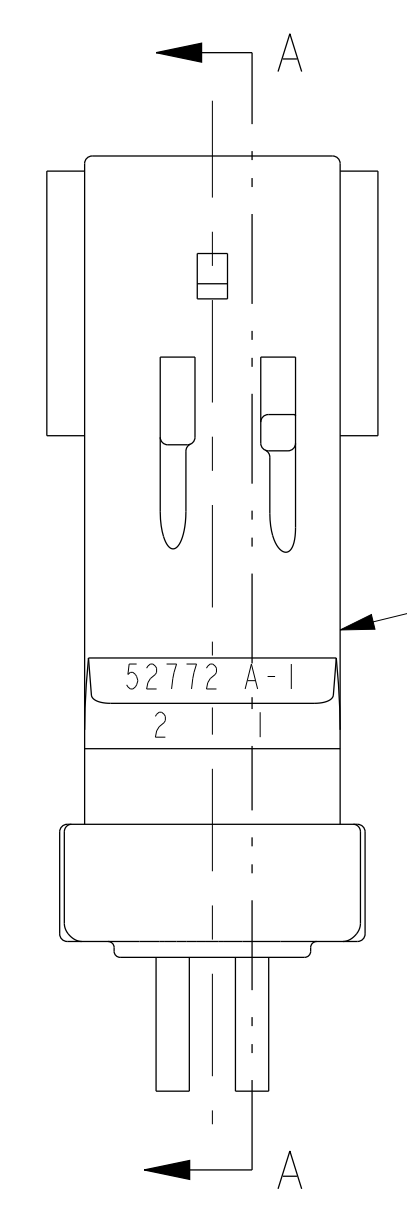
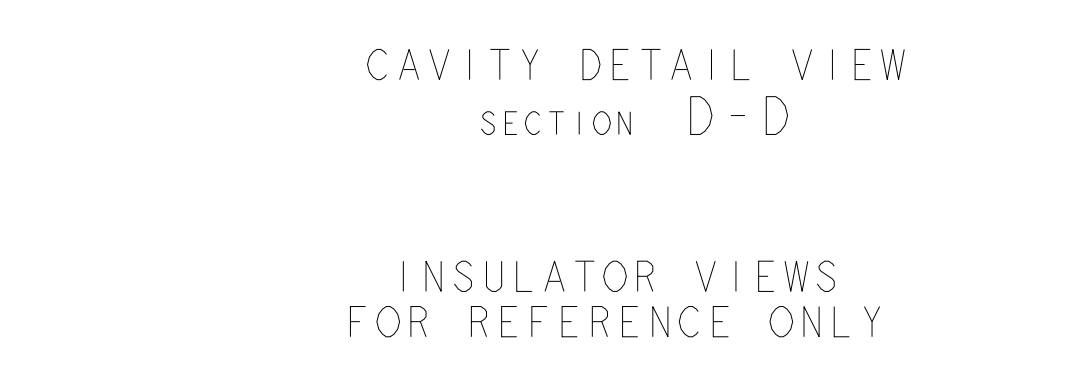
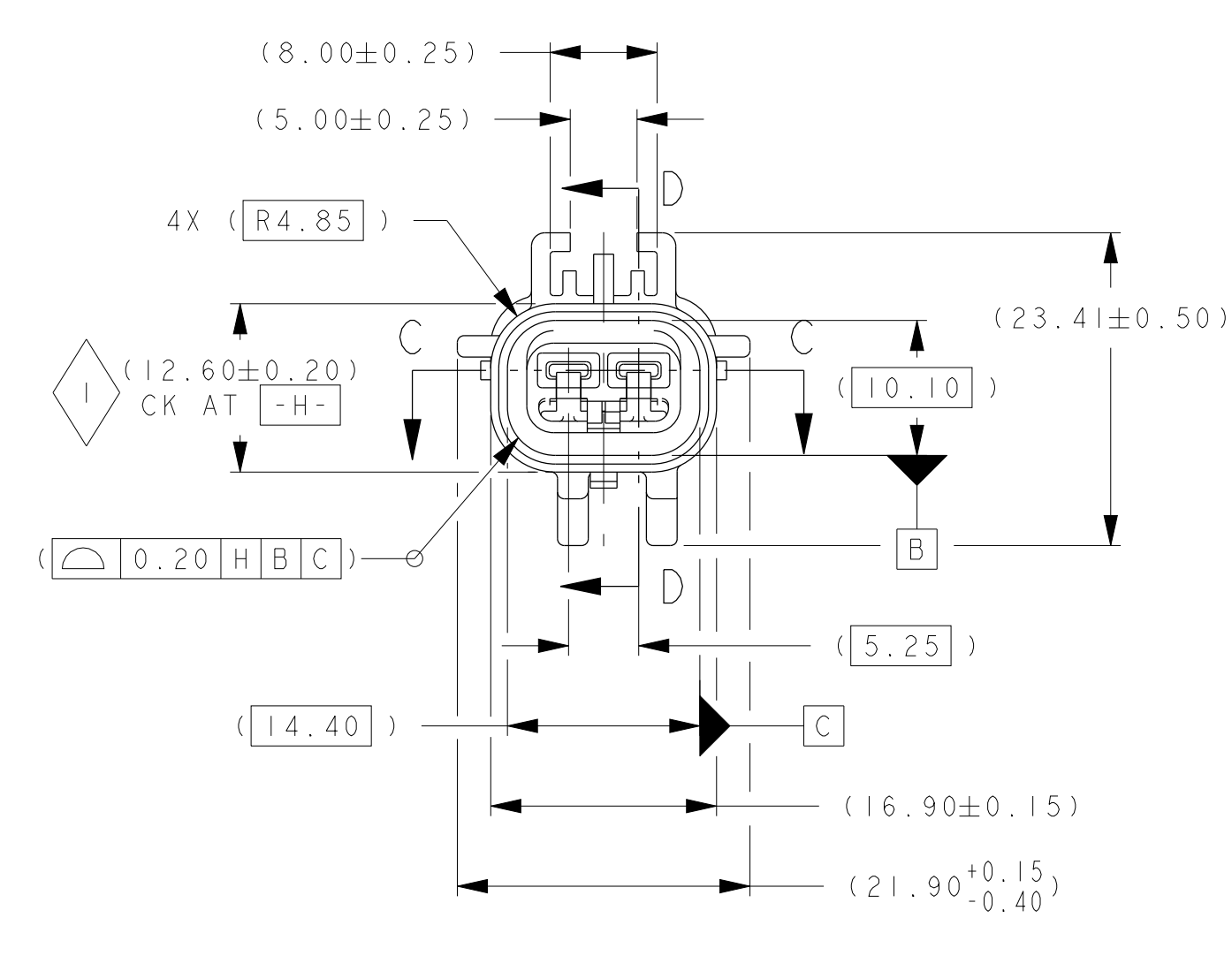
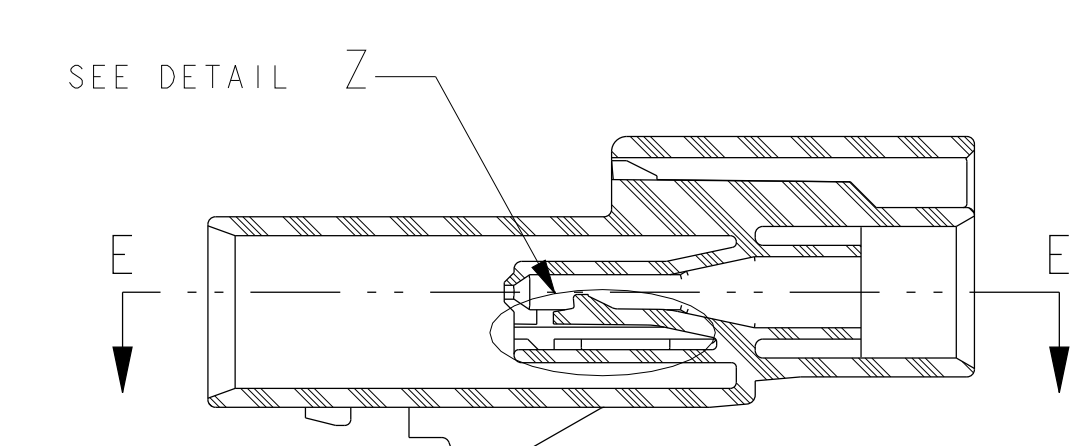
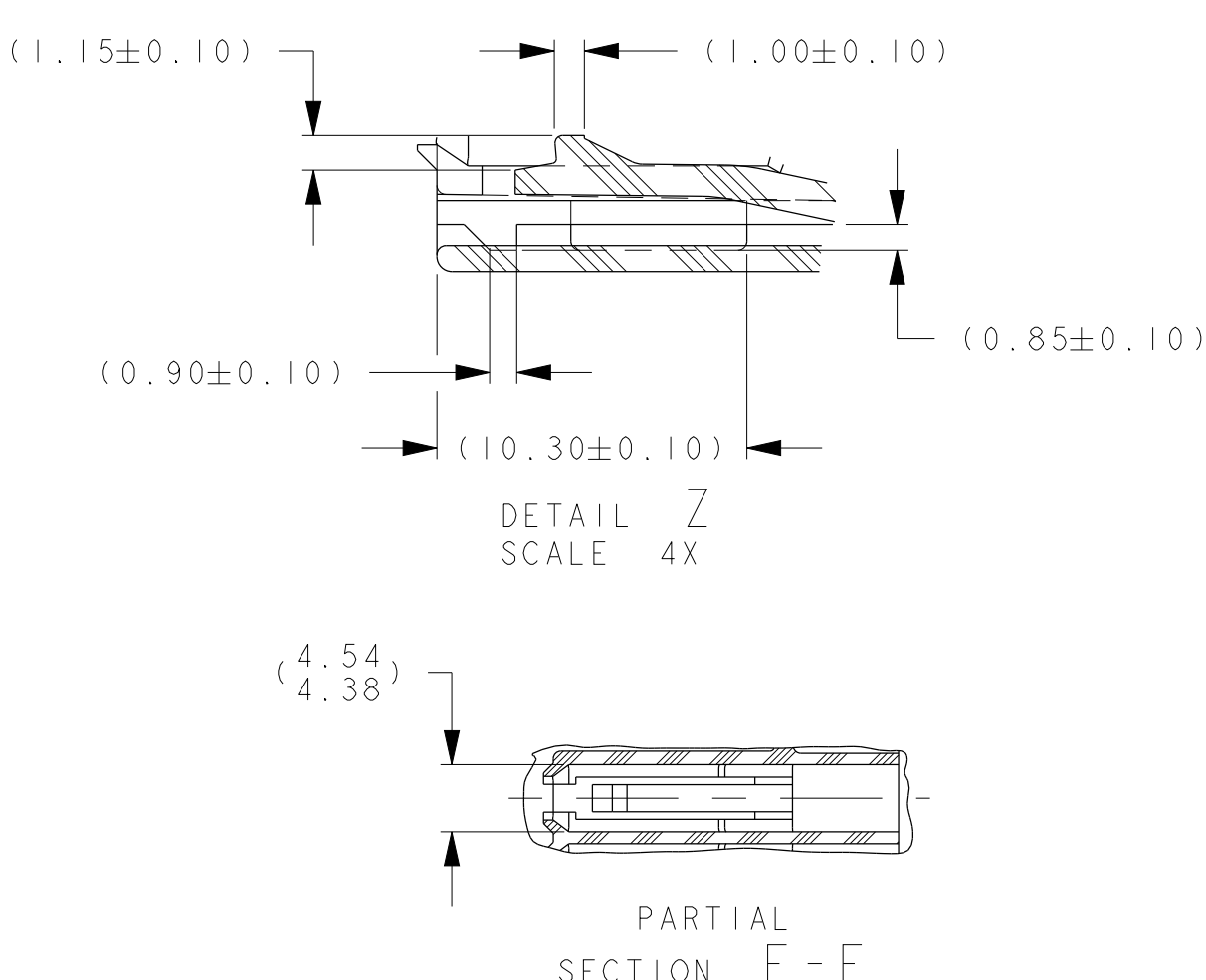
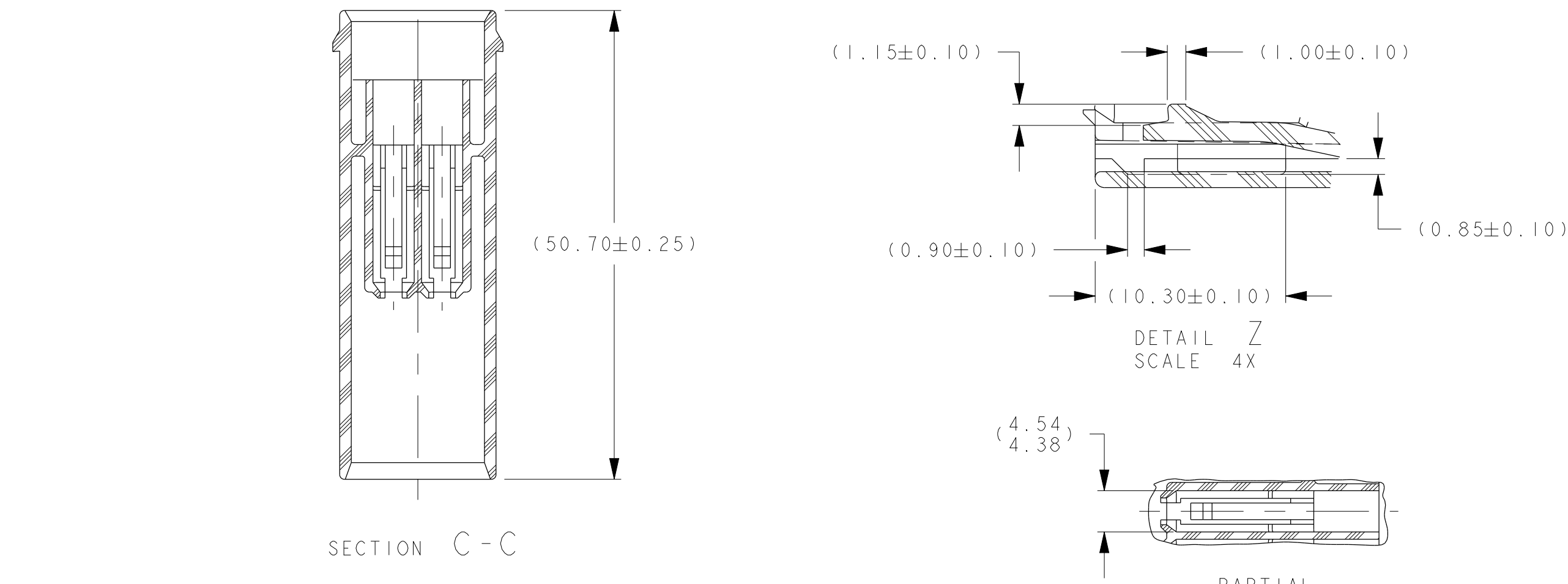
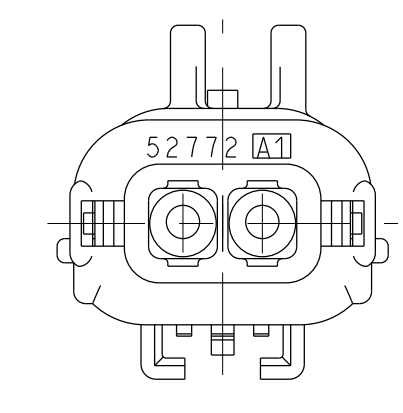
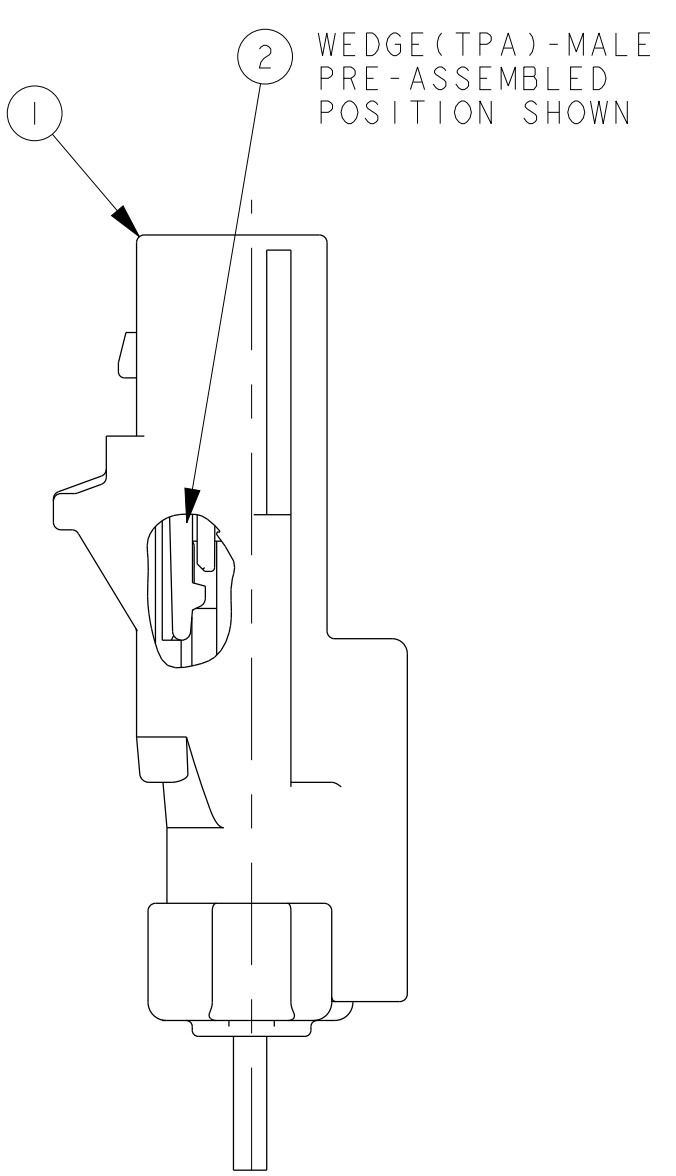
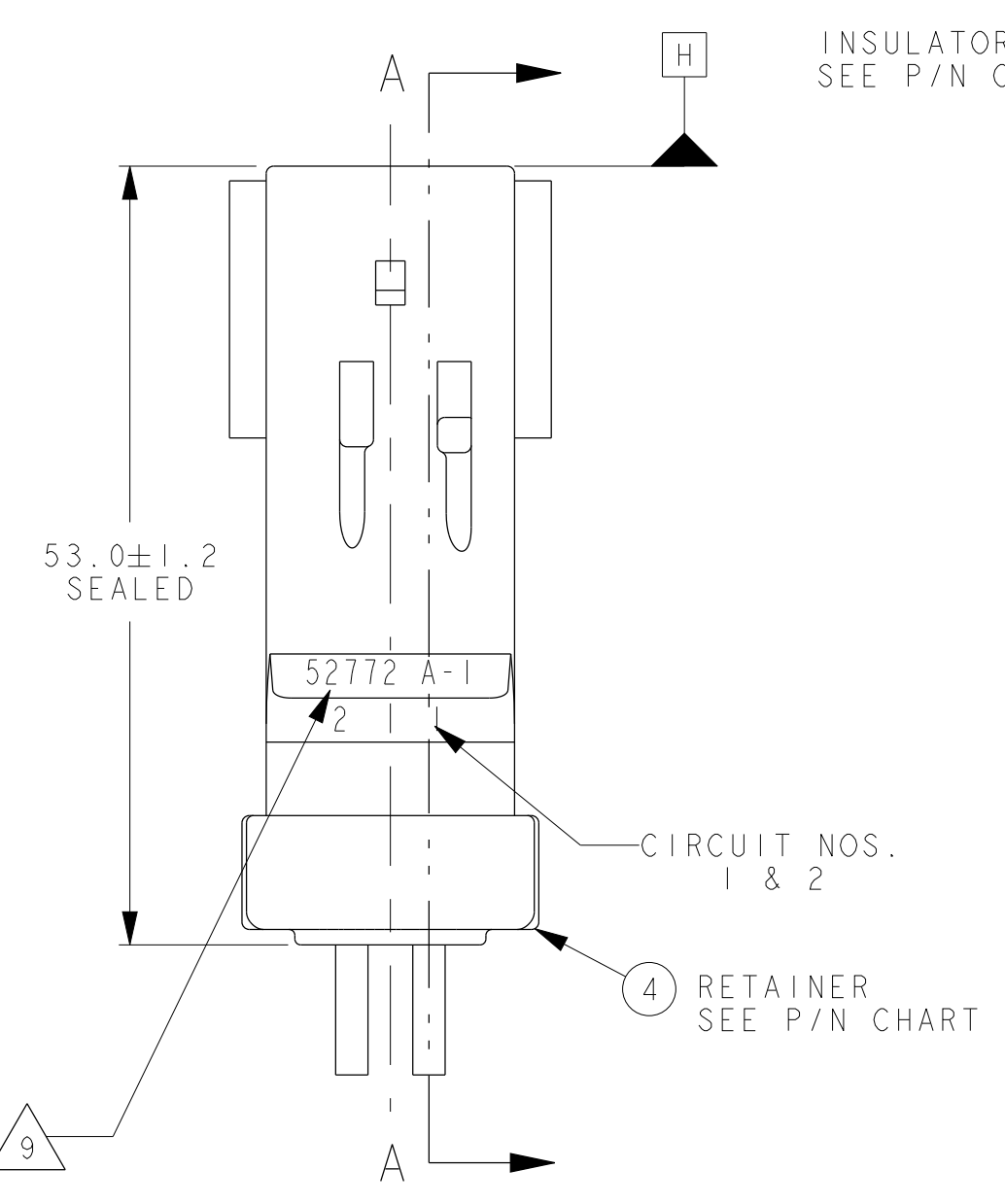
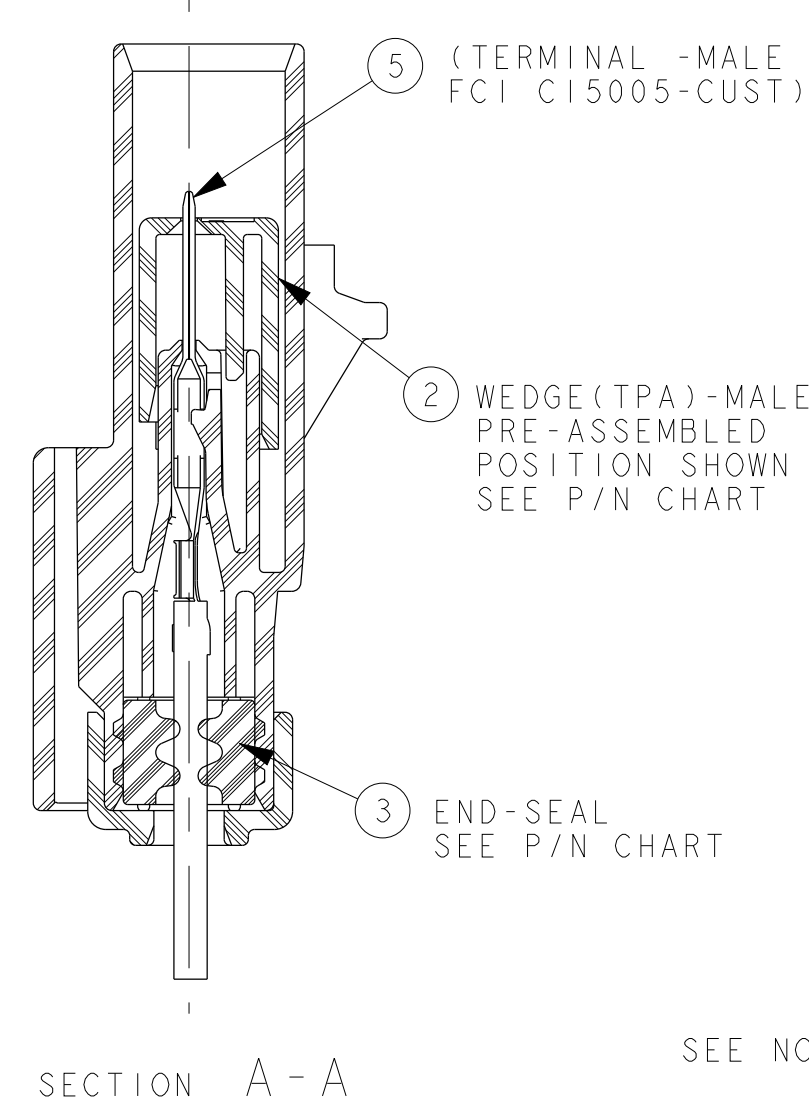
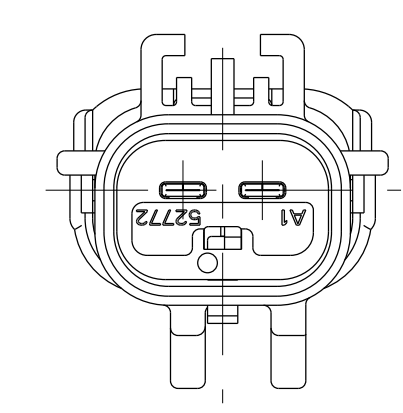
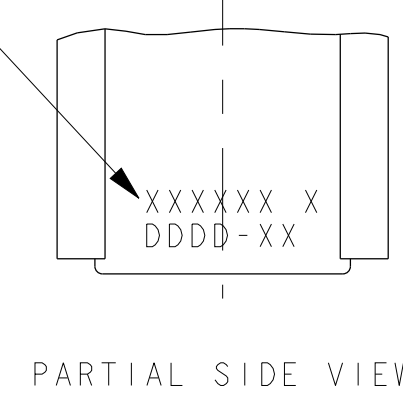
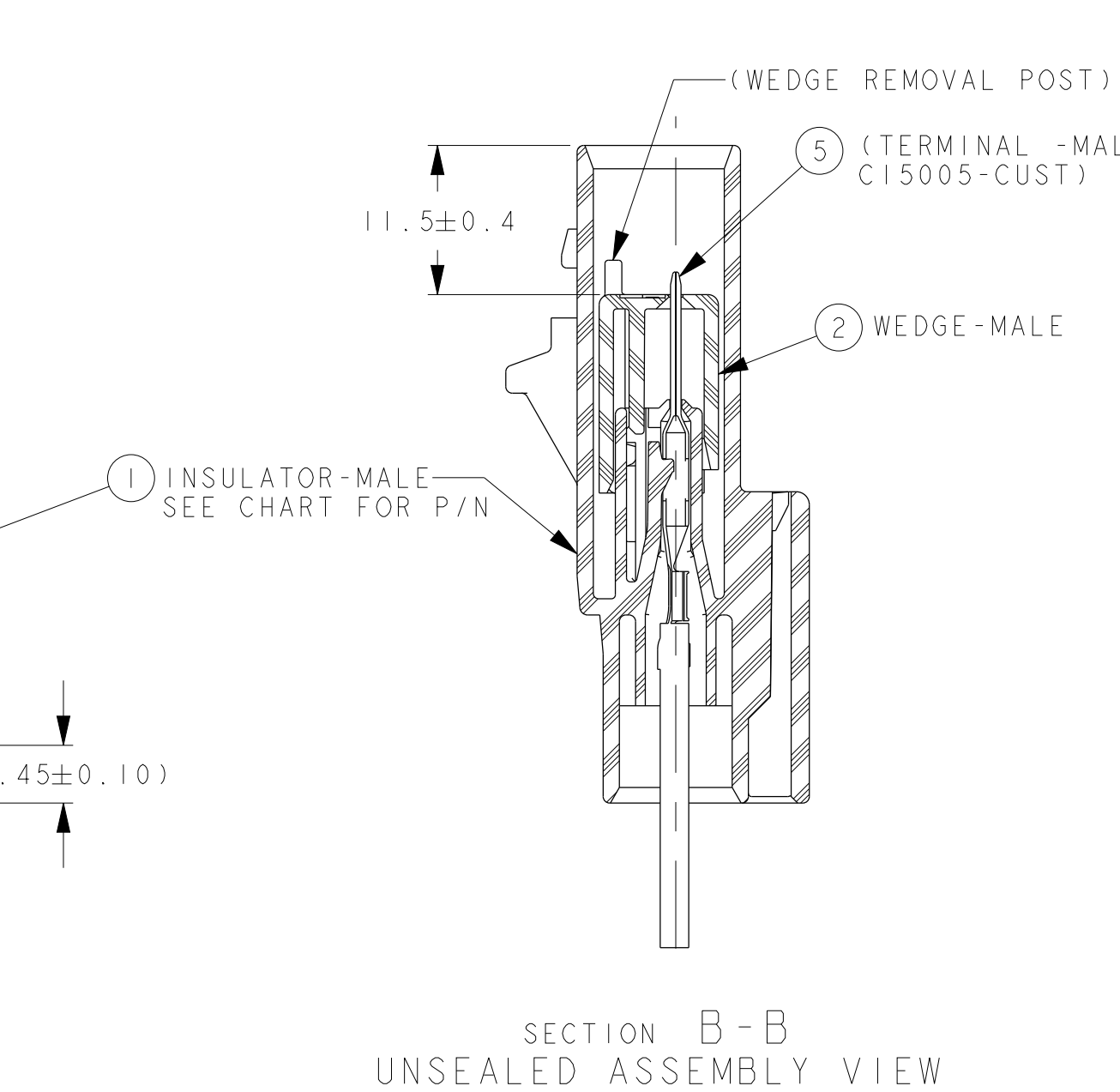
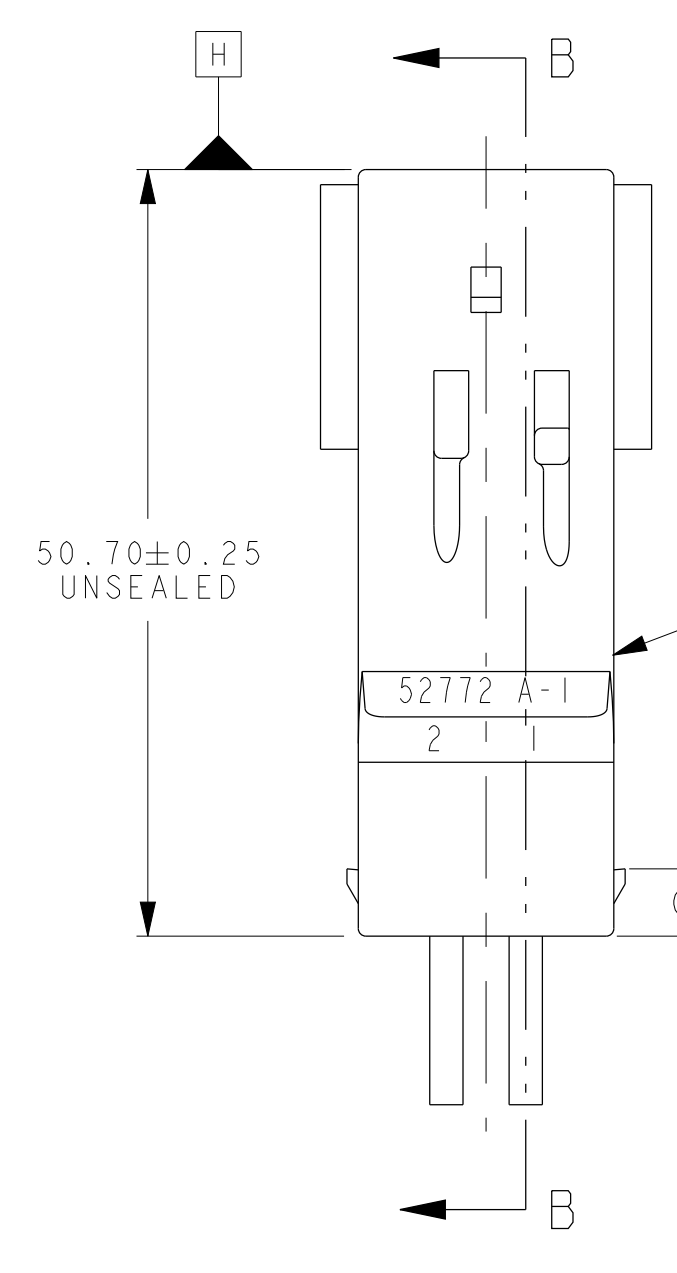


LAST 5 DIGITS OF 8 DIGIT P/N & PART CHANGE LEVEL (PCL) OR LAST 6 DIGITS OF 9 OR 10 DIGIT P/N & PART CHANGE LEVEL (PCL)
MFG. DAILY DATE CODE & ASSY MACHINE NO. LETTERING MUST BE LEGIBLE



POLARIZATION OPTIONS FULL SIZE



- NOTES:
- QUALITY ASSURANCE REQUIREMENTS PER CHRYSLER PS-7300: 1
 - ENGINEERING APPROVAL OF SUPPLIER SAMPLES IS REQUIRED PRIOR TO AUTHORIZATION OF PART PRODUCTION
 - CHANGES IN DESIGN COMPOSITION OR PROCESSING FROM THE PART PREVIOUSLY APPROVED FOR PART PRODUCTION REQUIRES PRIOR ENGINEERING APPROVAL
 - WIRING FABRICATORS MUST PURCHASE FROM SOURCES SHOWN
 - ALL THE SEALED CONNECTOR APPLICATIONS MUST BE USED WITH CHRYSLER WIRE SPEC. MS-8288, MS-9502 OR ISO 6722 EQUIVALENTS THIN WALL X-LINK ONLY A- ASSEMBLIES WITH FCI P/N'S 54200239 OR 54200240 END SEALS MUST BE USED WITH 20 TO 14AWG OR ISO EQUIVALENTS WIRES WITH INSULATION Ø1.70 TO Ø2.77 O.D.
 - B- ASSEMBLIES WITH FCI P/N'S 54200241 OR F480510 END SEALS MUST BE USED WITH 14 TO 10AWG OR ISO EQUIVALENTS WIRES WITH INSULATION Ø2.50 TO Ø4.09 O.D.
 - ALL NON-SEALED APPLICATIONS MAY BE USED WITH ANY WIRE INSULATION 22 TO 10AWG OR ISO EQUIVALENTS (EXCEPT AS NOTED BELOW) PROVIDED THAT A TERMINAL GRIP FOR THAT CORE/INSULATION IS SHOWN ON C15005-CUST MALE TERMINAL DRAWING
- NOTE:
MAX. INSULATION CRIMP WIDTH = 4.50
MAX. INSULATION CRIMP HEIGHT = 4.50
MAX. INSULATION CRIMP DIA. = 4.09 (10 GA THIN WALL)

THIS DRAWING (H59010) REPLACES CHRYSLER DRAWING NUMBER 04687875 LEVEL "K". CHRYSLER DRAWING IS FOR REFERENCE ONLY FOR PREVIOUS CHANGES

MATING PART NUMBERS CHART FOR REFERENCE

INDEX TYPE	COLOR	SEALED/UNSEALED	FCI	CUSTOMER	YNA	FCI	CUSTOMER	YNA
D	NATURAL	UNSEALED	55200209	DIRECT CONNECT APPLICATION	N/A	54200203N	N/A	N/A
		UNSEALED	55200209	DIRECT CONNECT APPLICATION	N/A	54200203	C 04687920	7283-5373
G	TAN	SEALED	F380510	N/A	N/A	F970510	N/A	N/A
		SEALED	54200276	DIRECT CONNECT APPLICATION	N/A	54200262	N/A	N/A
F	NATURAL	SEALED	55200205	DIRECT CONNECT APPLICATION	N/A	54200209N	N/A	N/A
		SEALED	55200205	DIRECT CONNECT APPLICATION	N/A	54200209	C 04687916	7283-5375
C	DK GREY	UNSEALED	55200208	DIRECT CONNECT APPLICATION	N/A	54200202N	N/A	N/A
		UNSEALED	55200208	DIRECT CONNECT APPLICATION	N/A	54200202	C 04687919	7283-5372-10
E	DK BROWN	SEALED	F280510	N/A	N/A	F870510	N/A	N/A
		SEALED	54200275	DIRECT CONNECT APPLICATION	N/A	54200261	N/A	N/A
B	DK GREY	SEALED	55200204	DIRECT CONNECT APPLICATION	N/A	54200208N	N/A	N/A
		SEALED	55200204	DIRECT CONNECT APPLICATION	N/A	54200208	C 04687914	7283-5374-10
A	LT GREY	UNSEALED	54200205	N/A	N/A	54200201N	N/A	N/A
		UNSEALED	54200205	C 04687924	N/A	54200201	C 04687918	7283-5371-40
D	DK BLUE	SEALED	F180510	N/A	N/A	F770510	N/A	N/A
		SEALED	54200274	N/A	N/A	54200260	N/A	N/A
C	LT GREY	SEALED	54200211	N/A	N/A	54200207N	N/A	N/A
		SEALED	54200211	C 04687922	N/A	54200207	C 04687913	7283-5359-40
A	LT GRN	UNSEALED	DIRECT CONNECT APPLICATION		54200251	C 04686293AA	N/A	N/A
		SEALED	54200233	N/A	N/A	54200212N	N/A	N/A
B	DK GRN	SEALED	54200233	C 04686173AA	N/A	54200212	C 04688917	7283-5367-60
		SEALED	54200204	N/A	N/A	54200200N	N/A	N/A
C	BLACK	UNSEALED	54200204	C 04687923	7282-5292-30	54200200	C 04688917	7283-5358-30
		SEALED	54200210	C 04687921	7282-5292-30	54200206	C 04687912	7283-5292-30
A	DK GRN	SEALED	54200215	N/A	N/A	54200213N	N/A	N/A
		SEALED	54200215	C 04793833	N/A	54200213	C 04793832	N/A
B	DK GRN	SEALED	F080510	N/A	N/A	F670510	N/A	N/A
		SEALED	54200273	N/A	N/A	55200200	N/A	7283-8377-60
C	DK GRN	SEALED	54200273	N/A	N/A	55200200N	N/A	N/A
		SEALED	54200273	N/A	N/A	55200200N	N/A	N/A

CHART-ASSEMBLY PART NUMBERS

FCI P/N'S	CUSTOMER P/N'S
54200204	C 04687923
54200205	C 04687924
55200208	N/A
54200210	C 04687921
54200211	C 04687922
54200215	C 04793833
54200233	C 04686173AA
55200204	N/A
55200205	N/A

CHART-ASSEMBLY PART NUMBERS

SEALED	
FCI P/N'S	FCI P/N'S
54200273	54200274
54200275	54200276
F080510	F180510
F280510	F380510

REQUIRED	REQUIRED	FCI NO.	(CHRYSLER)	COLOR	ITEM	PART NAME (MATERIAL)	INDEX	FCI NO.	COLOR	REQUIRED
I	I	54200224	04687792	BLACK	1	INSULATOR PA66GF	A	54200267	DK GREEN	I
		54200232	N/A	LT GREEN	1	INSULATOR PA66GF	A			
II	I	54200226	04687937	LT GREY	1	INSULATOR PA66GF	B	54200268	DK BLUE	I
	I	55200206	N/A	DK GREY	1	INSULATOR PA66GF	C	54200269	DK BROWN	I
	I	55200207	N/A	NATURAL	1	INSULATOR PA66GF	D	54200270	TAN	I
I	I	54200235	04687978	RED	2	WEDGE (TPA) PA66GF		54200298	NATURAL	I
	I	54200239	04687942	LT BLUE	3	END SEAL SILICONE		54200240	LT GREEN	I
	I	54200241	04687943	BURNT ORANGE	3	END SEAL SILICONE		F480510	OFF WHITE	I
	I	54200234	04687938	BLACK	4	RETAINER PA66GF		54200271	NATURAL	I
3	3	3	3	3	3	3	3	3	3	3
CONNECTOR ASSEMBLY TEMPERATURE CLASS PER SAE/JUSCAR-2 REV. 5										
H	H	M	M	H	H	J	M	M	M	P
PART CHANGE LEVEL (PCL)										
A	M	M	M	P	P	P	P	P	P	P

CUSTOMER LEGENDS:
CHRYSLER: C
FORD: F
GENERAL MOTORS: GM
YAZAKI: Y

PROJ. NO.	ZONE	CHANGE DESCRIPTION
12-01348	F8	APPLICABLE WIRE NOTES REVISED FOR METRIC EQUIVALENT, WIRE APPLICATION FOR 54200241 END SEAL CHANGED TO 14 TO 10AWG
12-1026	E10 B23	CONNECTOR ASSEMBLY PART NUMBERS FOR 54200273 TO 54200276 AND END SEAL P/N 54200273 TO 54200276 WERE SWITCHED IN ERROR AT REV. N. ASSEMBLY PART NUMBERS UPDATED. NOTES UPDATED AND #13 ADDED
12-00884	ALL	REVISED AND REDRAWN IN PDS SEE REV M3 FOR PREVIOUS CHANGES PCL NOT AFFECTED

REV.	DATE	BY	CHKD.	APPV.	DESCRIPTION
1					ISSUED
2					REVISED
3					REVISED
4					REVISED
5					REVISED
6					REVISED
7					REVISED
8					REVISED
9					REVISED
10					REVISED
11					REVISED
12					REVISED
13					REVISED
14					REVISED
15					REVISED
16					REVISED
17					REVISED
18					REVISED
19					REVISED
20					REVISED
21					REVISED
22					REVISED
23					REVISED

Данный компонент на территории Российской Федерации

Вы можете приобрести в компании MosChip.

Для оперативного оформления запроса Вам необходимо перейти по данной ссылке:

<http://moschip.ru/get-element>

Вы можете разместить у нас заказ для любого Вашего проекта, будь то серийное производство или разработка единичного прибора.

В нашем ассортименте представлены ведущие мировые производители активных и пассивных электронных компонентов.

Нашей специализацией является поставка электронной компонентной базы двойного назначения, продукции таких производителей как XILINX, Intel (ex.ALTERA), Vicor, Microchip, Texas Instruments, Analog Devices, Mini-Circuits, Amphenol, Glenair.

Сотрудничество с глобальными дистрибьюторами электронных компонентов, предоставляет возможность заказывать и получать с международных складов практически любой перечень компонентов в оптимальные для Вас сроки.

На всех этапах разработки и производства наши партнеры могут получить квалифицированную поддержку опытных инженеров.

Система менеджмента качества компании отвечает требованиям в соответствии с ГОСТ Р ИСО 9001, ГОСТ РВ 0015-002 и ЭС РД 009

Офис по работе с юридическими лицами:

105318, г.Москва, ул.Щербаковская д.3, офис 1107, 1118, ДЦ «Щербаковский»

Телефон: +7 495 668-12-70 (многоканальный)

Факс: +7 495 668-12-70 (доб.304)

E-mail: info@moschip.ru

Skype отдела продаж:

moschip.ru

moschip.ru_4

moschip.ru_6

moschip.ru_9