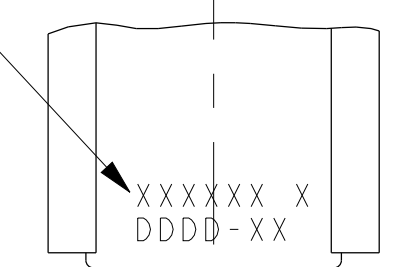
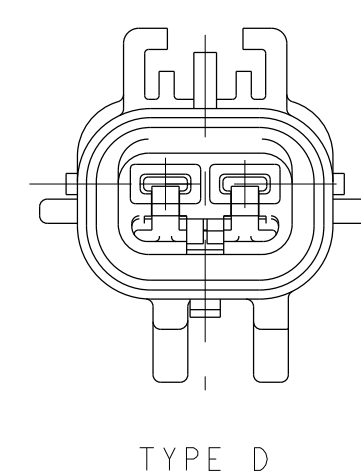
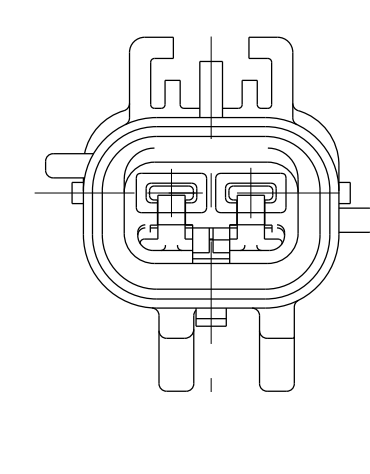
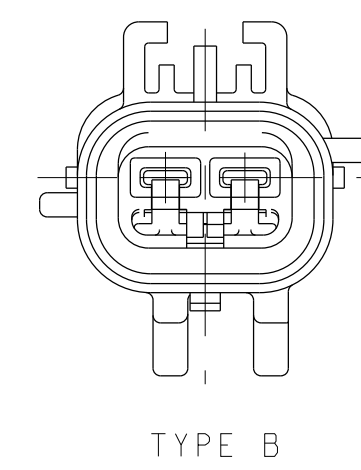
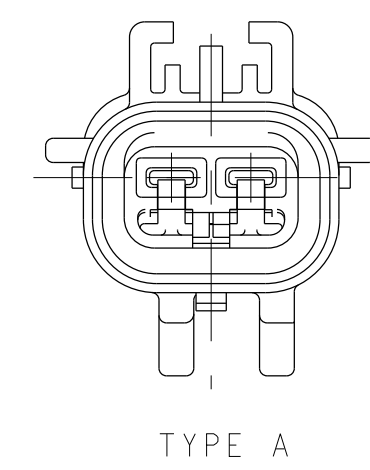
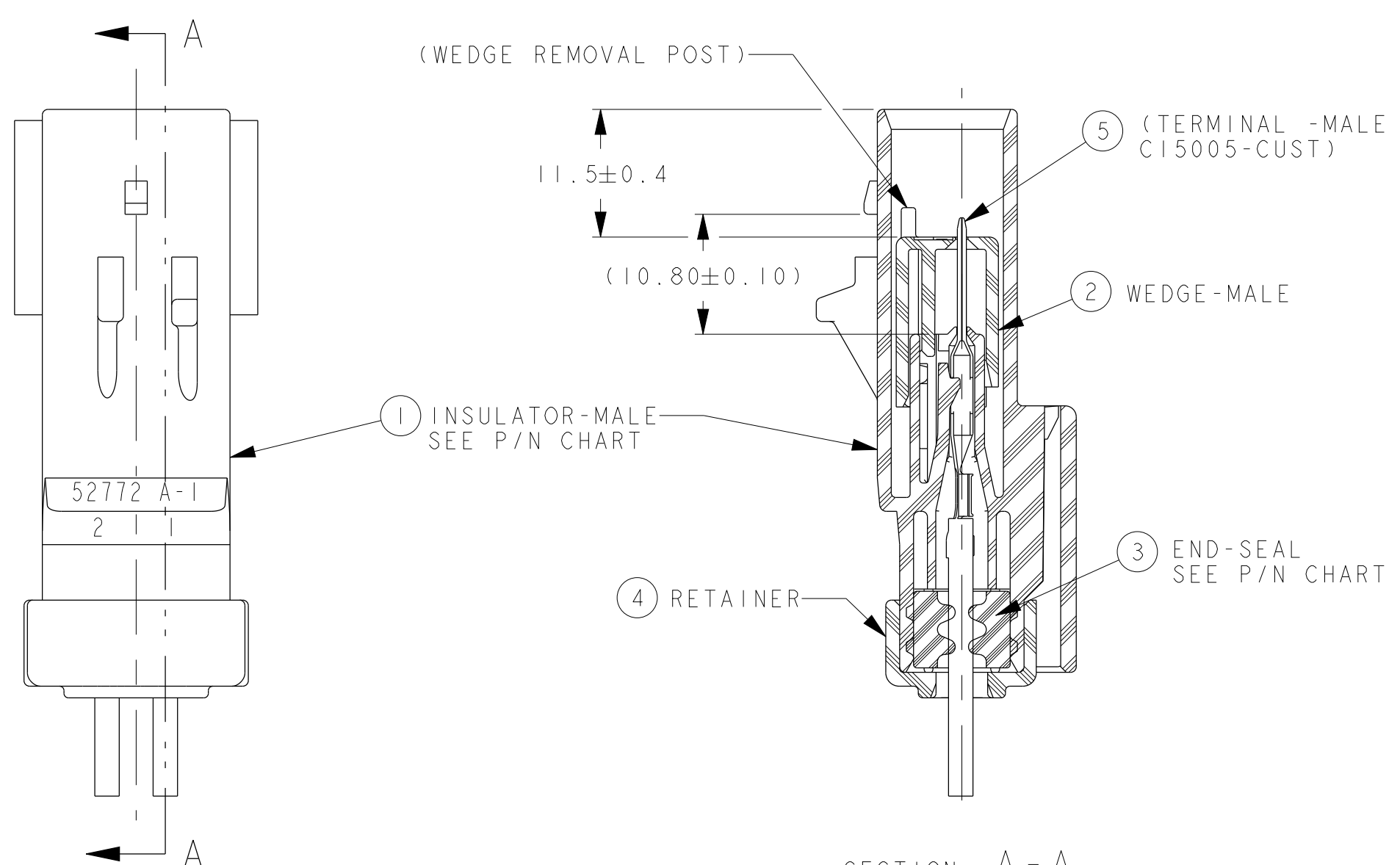
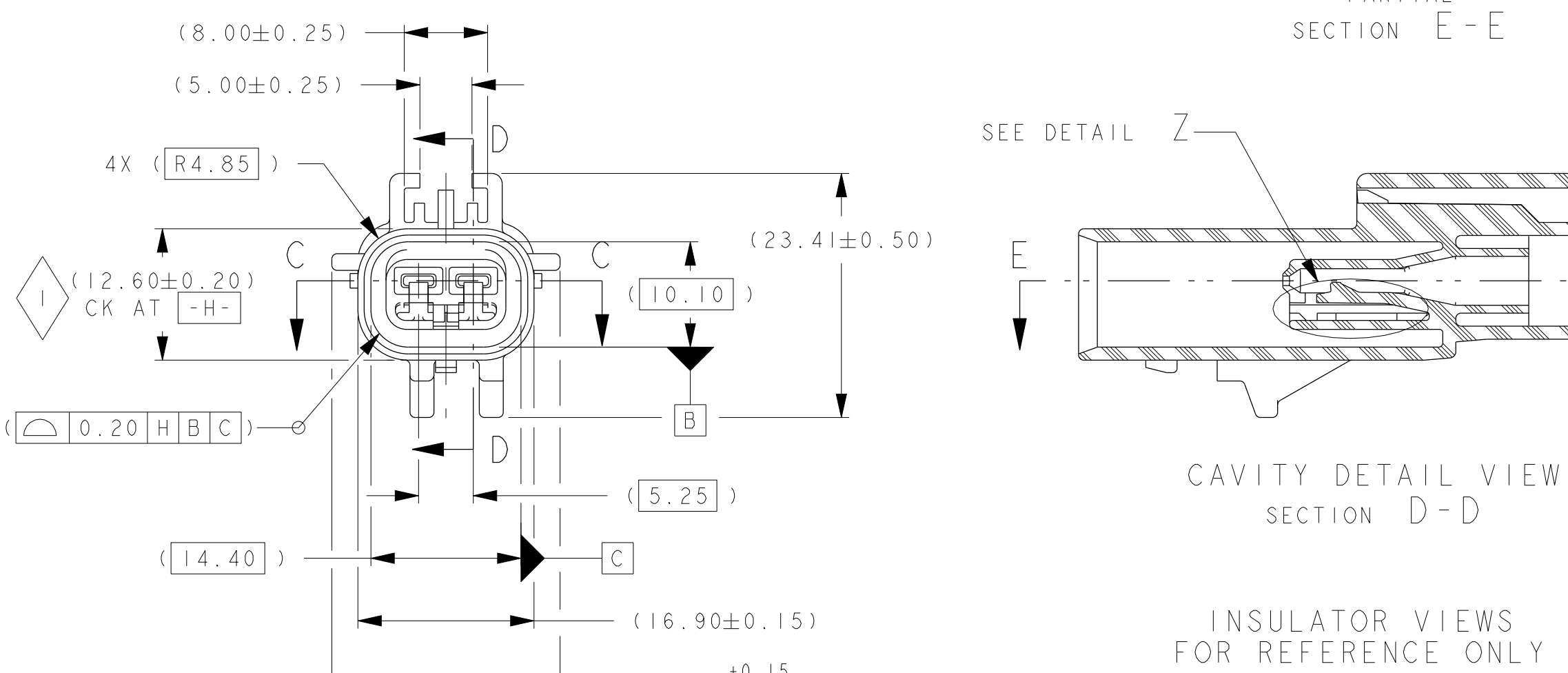
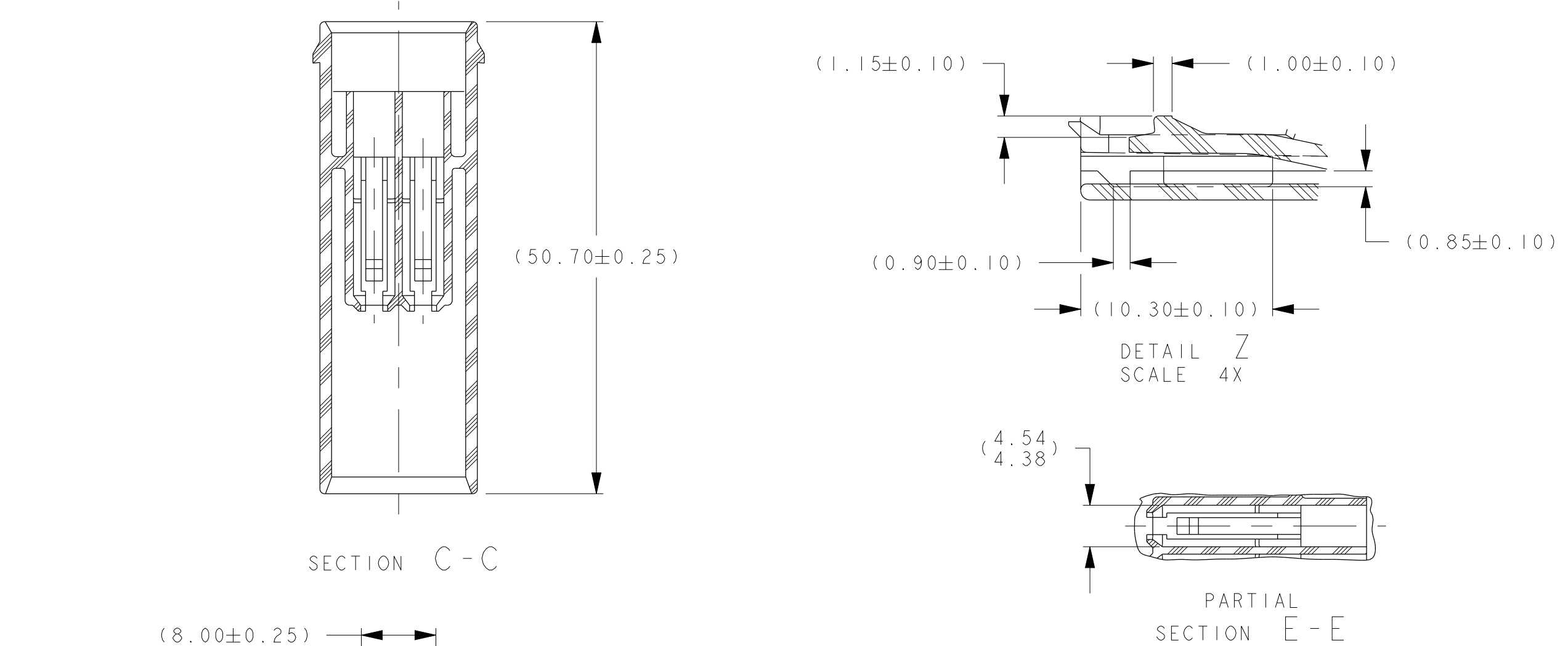
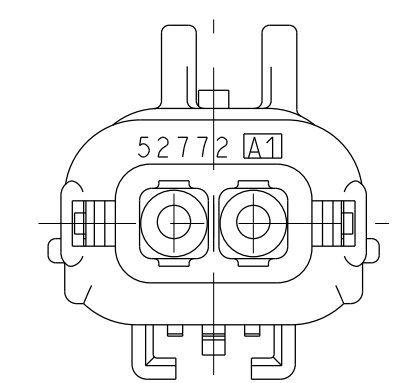
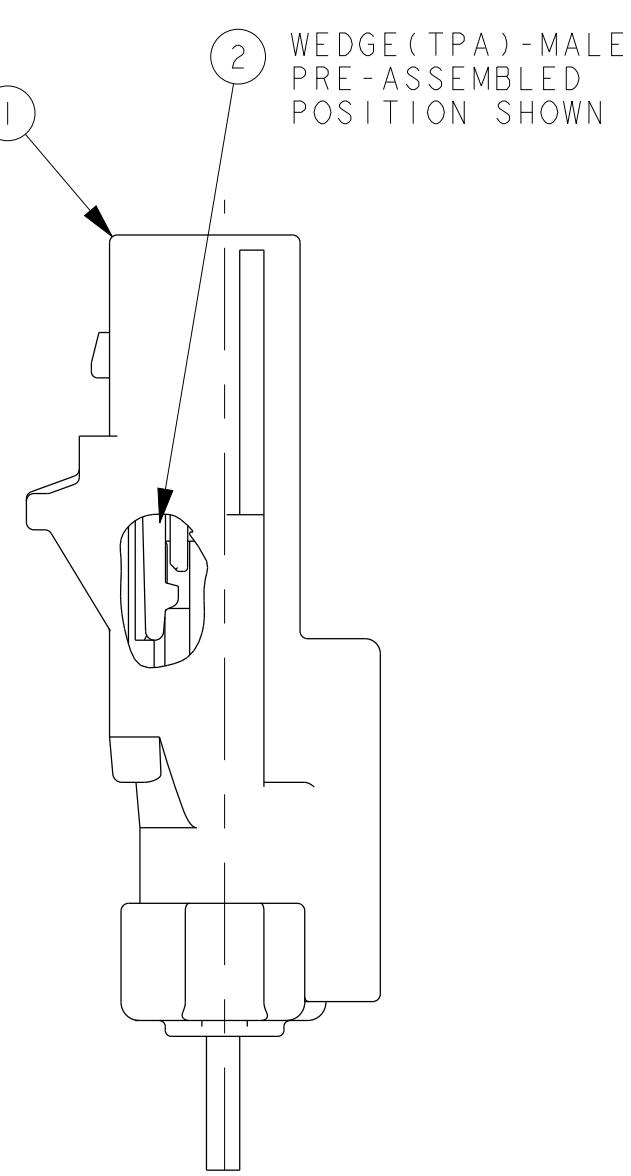
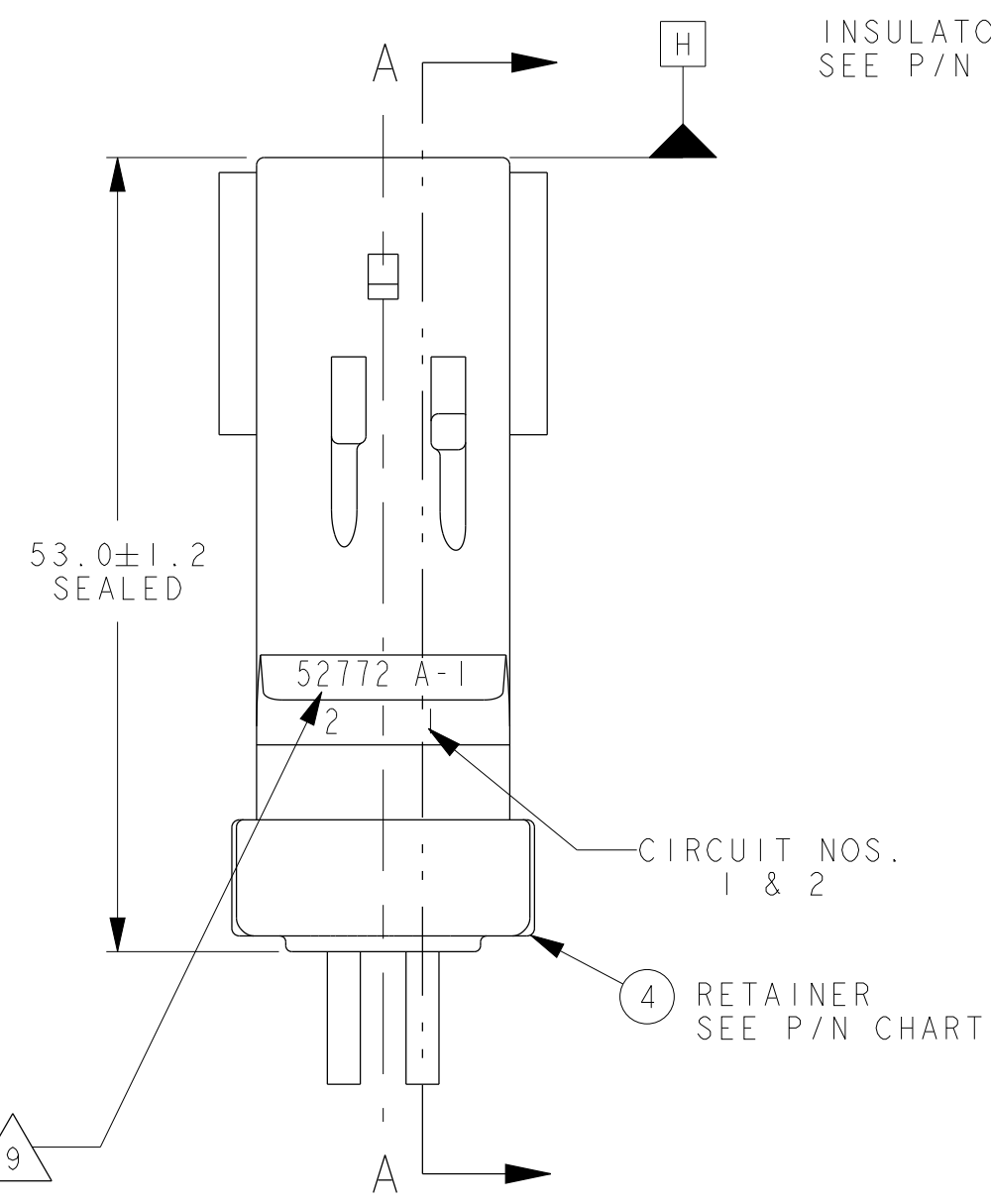
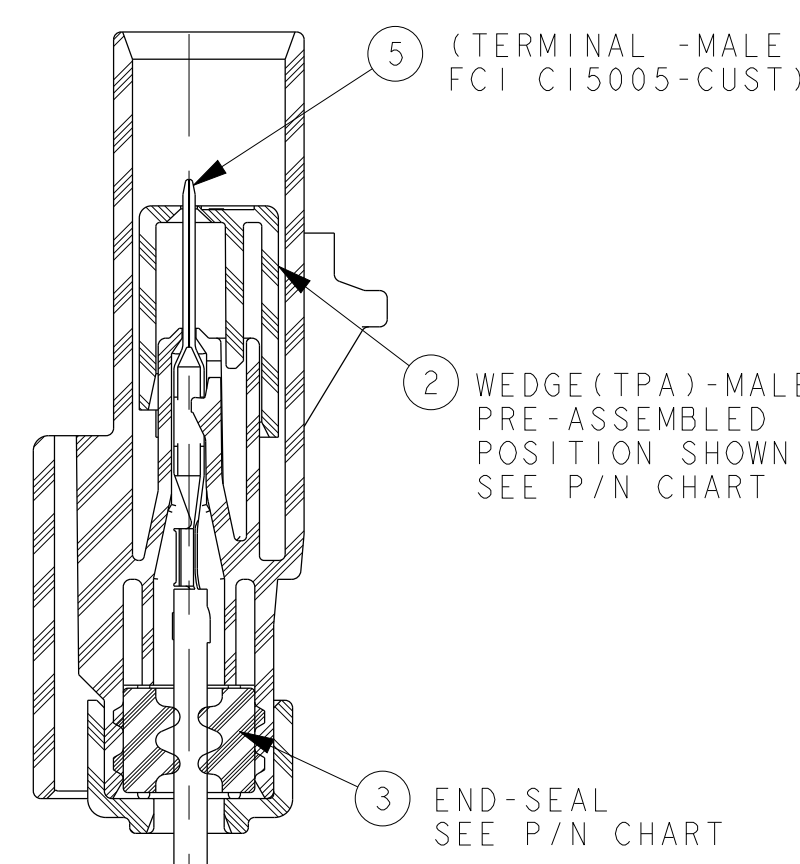
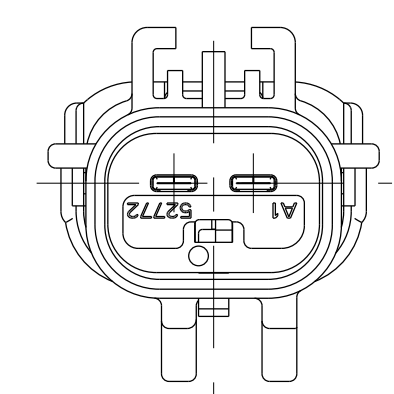


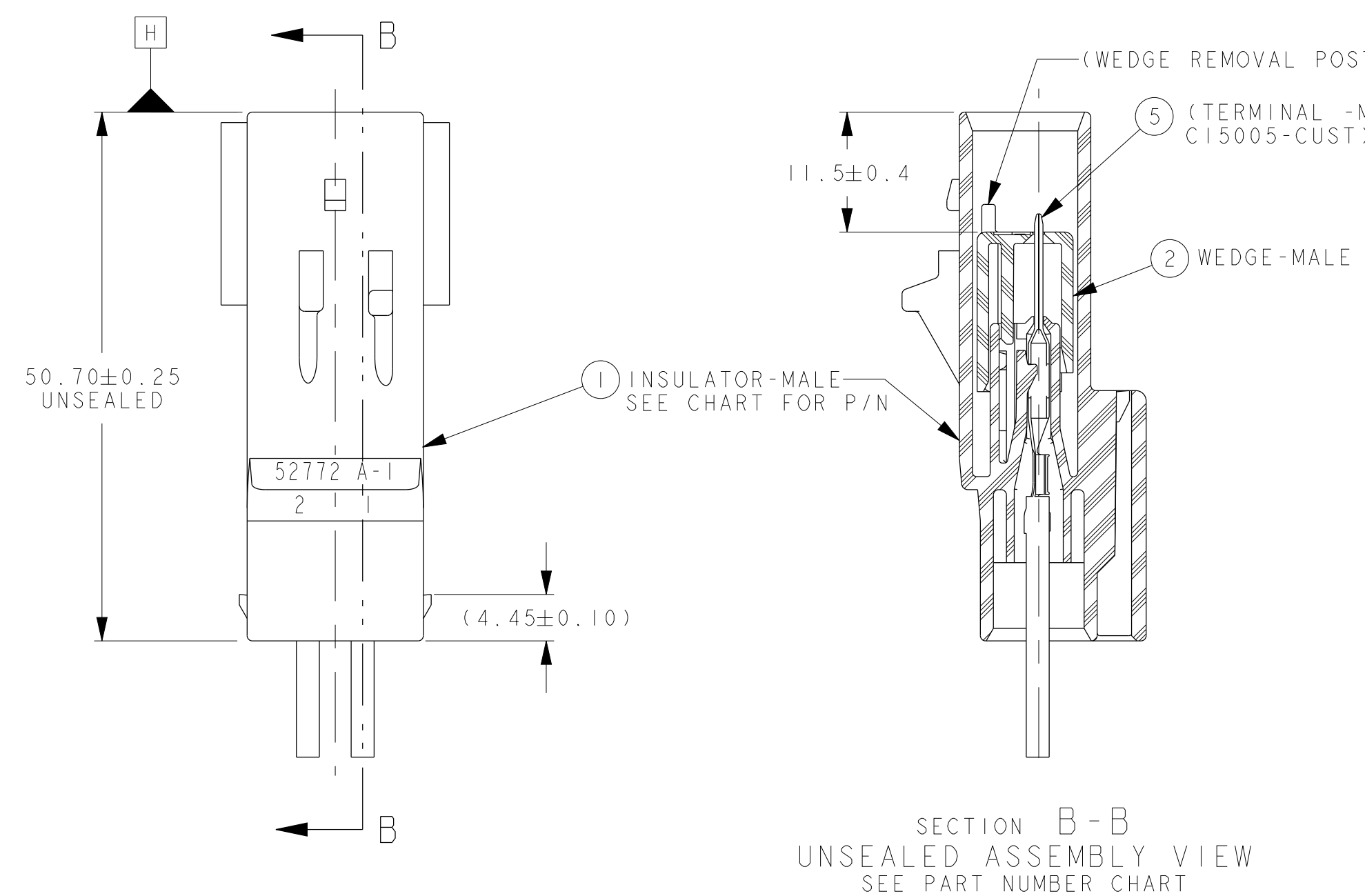
LAST 5 DIGITS OF 8 DIGIT P/N & PART CHANGE LEVEL (PCL) OR LAST 6 DIGITS OF 9 OR 10 DIGIT P/N & PART CHANGE LEVEL (PCL)
MFG. DAILY DATE CODE & ASSY MACHINE NO. LETTERING MUST BE LEGIBLE



PARTIAL SIDE VIEW



POLARIZATION OPTIONS FULL SIZE



MATING PART NUMBERS CHART FOR REFERENCE

INDEX TYPE	COLOR	SEALED/UNSEALED	FCI	CUSTOMER	YNA	FCI	CUSTOMER	YNA
D	NATURAL	UNSEALED	55200209	DIRECT CONNECT APPLICATION	N/A	54200203N	N/A	N/A
		UNSEALED	55200209	DIRECT CONNECT APPLICATION	N/A	54200203	C 04687920	7283-5373
G	TAN	SEALED	F380510	N/A	N/A	F970510	N/A	N/A
		SEALED	54200276	DIRECT CONNECT APPLICATION	N/A	54200262	N/A	N/A
F	NATURAL	SEALED	55200205	DIRECT CONNECT APPLICATION	N/A	54200209N	N/A	N/A
		SEALED	55200205	DIRECT CONNECT APPLICATION	N/A	54200209	C 04687916	7283-5375
C	DK GREY	UNSEALED	55200208	DIRECT CONNECT APPLICATION	N/A	54200202N	N/A	N/A
		UNSEALED	55200208	DIRECT CONNECT APPLICATION	N/A	54200202	C 04687919	7283-5372-10
E	DK BROWN	SEALED	F280510	N/A	N/A	F870510	N/A	N/A
		SEALED	54200275	DIRECT CONNECT APPLICATION	N/A	54200261	N/A	N/A
B	DK GREY	SEALED	55200204	DIRECT CONNECT APPLICATION	N/A	54200208N	N/A	N/A
		SEALED	55200204	DIRECT CONNECT APPLICATION	N/A	54200208	C 04687914	7283-5374-10
A	LT GREY	UNSEALED	54200205	N/A	N/A	54200201N	N/A	N/A
		UNSEALED	54200205	C 04687924	N/A	54200201	C 04687918	7283-5371-40
D	DK BLUE	SEALED	F180510	N/A	N/A	F770510	N/A	N/A
		SEALED	54200274	N/A	N/A	54200260	N/A	N/A
C	LT GREY	SEALED	54200211	N/A	N/A	54200207N	N/A	N/A
		SEALED	54200211	C 04687922	N/A	54200207	C 04687913	7283-5359-40
A	LT GRN	UNSEALED	DIRECT CONNECT APPLICATION		54200251	C 04868293AA	N/A	N/A
		SEALED	54200233	N/A	N/A	54200212N	N/A	N/A
B	DK GRN	SEALED	54200233	C 04868173AA	N/A	54200212	C 04688917	7283-5367-60
		SEALED	54200204	N/A	N/A	54200200N	N/A	N/A
C	BLACK	UNSEALED	54200204	C 04687923	7282-5292-30	54200200	C 04688917	7283-5358-30
		SEALED	54200210	C 04687921	7282-5292-30	54200206	C 04687912	7283-5292-30
A	DK GRN	SEALED	54200215	N/A	N/A	54200213N	N/A	N/A
		SEALED	54200215	C 04793833	N/A	54200213	C 04793832	N/A
B	DK GRN	SEALED	F080510	N/A	N/A	F670510	N/A	N/A
		SEALED	54200273	N/A	N/A	55200200	N/A	7283-8377-60
C	DK GRN	SEALED	54200273	N/A	N/A	55200200N	N/A	N/A
		SEALED	54200273	N/A	N/A	55200200N	N/A	N/A

CHART - ASSEMBLY PART NUMBERS

FCI P/N'S	CUSTOMER P/N'S
54200204	C 04687923
54200205	C 04687924
55200208	N/A
54200209	N/A
54200210	C 04687921
54200211	C 04687922
54200215	C 04793833
54200233	C 04868173AA
55200204	N/A
55200205	N/A

TEMPERATURE CLASS 3

REQUIRED	REQUIRED	FCI NO.	(CHRYSLER)	COLOR	ITEM	PART NAME (MATERIAL)	INDEX	FCI NO.	COLOR	REQUIRED
I	I	54200224	04687792	BLACK	1	INSULATOR PA66GF	A	54200267	DK GREEN	I
		54200232	N/A	LT GREEN	1	INSULATOR PA66GF	A			
II	I	54200226	04687937	LT GREY	1	INSULATOR PA66GF	B	54200268	DK BLUE	I
	I	55200206	N/A	DK GREY	1	INSULATOR PA66GF	C	54200269	DK BROWN	I
	I	55200207	N/A	NATURAL	1	INSULATOR PA66GF	D	54200270	TAN	I
I	I	54200235	04687978	RED	2	WEDGE (TPA) PA66GF		54200298	NATURAL	I
	I	54200239	04687942	LT BLUE	3	END SEAL SILICONE		54200240	LT GREEN	I
	I	54200241	04687943	BURNT ORANGE	3	END SEAL SILICONE		F480510	OFF WHITE	I
	I	54200234	04687938	BLACK	4	RETAINER PA66GF		54200271	NATURAL	I

CHART - ASSEMBLY PART NUMBERS

FCI P/N'S	CUSTOMER P/N'S
54200273	N/A
54200274	N/A
54200275	N/A
54200276	N/A
F080510	N/A
F280510	N/A
F380510	N/A

TEMPERATURE CLASS 4

REQUIRED	REQUIRED	FCI NO.	COLOR	REQUIRED
I	I	54200267	DK GREEN	I
I	I	54200268	DK BLUE	I
I	I	54200269	DK BROWN	I
I	I	54200270	TAN	I
I	I	54200298	NATURAL	I
I	I	54200240	LT GREEN	I
I	I	F480510	OFF WHITE	I
I	I	54200271	NATURAL	I

CONNECTOR ASSEMBLY TEMPERATURE CLASS PER SAE/JUSCAR-2 REV. 5

PART CHANGE LEVEL (PCL)

- NOTES:
- QUALITY ASSURANCE REQUIREMENTS PER CHRYSLER PS-7300: 1
 - ENGINEERING APPROVAL OF SUPPLIER SAMPLES IS REQUIRED PRIOR TO AUTHORIZATION OF PART PRODUCTION
 - CHANGES IN DESIGN COMPOSITION OR PROCESSING FROM THE PART PREVIOUSLY APPROVED FOR PART PRODUCTION REQUIRES PRIOR ENGINEERING APPROVAL
 - WIRING FABRICATORS MUST PURCHASE FROM SOURCES SHOWN
 - ALL THE SEALED CONNECTOR APPLICATIONS MUST BE USED WITH CHRYSLER WIRE SPEC. MS-8288, MS-9502 OR ISO 6722 EQUIVALENTS THIN WALL X-LINK ONLY A- ASSEMBLIES WITH FCI P/N'S 54200239 OR 54200240 END SEALS MUST BE USED WITH 20 TO 14AWG OR ISO EQUIVALENTS WIRES WITH INSULATION Ø1.70 TO Ø2.77 O.D.
 - B- ASSEMBLIES WITH FCI P/N'S 54200241 OR F480510 END SEALS MUST BE USED WITH 14 TO 10AWG OR ISO EQUIVALENTS WIRES WITH INSULATION Ø2.50 TO Ø4.09 O.D.
 - ALL NON-SEALED APPLICATIONS MAY BE USED WITH ANY WIRE INSULATION 22 TO 10AWG OR ISO EQUIVALENTS (EXCEPT AS NOTED BELOW) PROVIDED THAT A TERMINAL GRIP FOR THAT CORE/INSULATION IS SHOWN ON C15005-CUST MALE TERMINAL DRAWING
 - NOTE: MAX. INSULATION CRIMP WIDTH = 4.50
MAX. INSULATION CRIMP HEIGHT = 4.50
MAX. INSULATION CRIMP DIA. = 4.09 (10 GA THIN WALL)
 - USE WITH FOLLOWING APPLICABLE COMPONENTS AS NEEDED: CAVITY PLUS FCI P/N 54200005 (CHRYSLER P/N 5638308) DOUBLE X-MAS TREE CLIP FCI P/N 54200010 W/FORWARD STOP DOUBLE X-MAS TREE CLIP CHRYSLER P/N 04707091 SINGLE X-MAS TREE CLIP CHRYSLER P/N 04625797 2-BOTTOM APEX MALE TERMINAL PER FCI C15005-CUST SYMMETRICAL ABOUT CENTERLINES FOR 180° ORIENTATION
 - TEST METHOD PER PERFORMANCE SPEC# SAE/JUSCAR-2 REV. 5, CONNECTOR ENGAGE & DISENGAGE WITH FEMALE LATCH DEPRESSED FORCE NOT TO EXCEED 75N FOR THIS SYSTEM
 - WEDGE SEATING FORCES - 100N MAX
X-MAS TREE CLIP INSERTION FORCES - 75N MAX
 - FCI SUPPLIER CODE 52772, MOLD & CAVITY I.D. SIGNIFIES TOOL OWNERSHIP, FOR REFERENCE
 - ANNUAL QUALITY REQUIREMENTS: IT IS PERMISSIBLE TO PERFORM CONTINUOUS CONFORMANCE PER FCI SPECIFICATION #QAQ-001 INSTEAD OF ANNUAL LAYOUT & ANNUAL PV REQUIREMENTS OF QS-9000 SECTION 2 & SAE/JUSCAR-2 REV. 5
 - ALL NON-REFERENCE DIMENSIONS ARE REQUIRED
 - USE INDEX A, BLACK SEALED AND UNSEALED FOR ALL AFFECTED INSULATOR CAVITIES
 - CURRENT PRODUCTION TOOLING
 - POINT OF LAST RUN
 - SERVICE TOOLING GUIDE INFORMATION PER APEX TRAINING MANUAL
 - MUST CONFORM TO THE FOLLOWING CHRYSLER/YNA STANDARDS:
SAE/JUSCAR-2 REV. 5
PS-7300 QUALITY ASSURANCE (CHRYSLER)
PS-9227 DATA EXCHANGE (CHRYSLER), (G009-7 YNA)
PS-10052 INFORMATION SECURITY (CHRYSLER)

THIS DRAWING (H59010) REPLACES CHRYSLER DRAWING NUMBER 04687875 LEVEL "K", CHRYSLER DRAWING IS FOR REFERENCE ONLY FOR PREVIOUS CHANGES

P/N'S 54200240 AND F480510 BAKED AT 450°F FOR 5 HOURS TO DRIVE OFF VOLATILES

REV.	DATE	BY	CHKD.	DESCRIPTION
12-01348	F8			APPLICABLE WIRE NOTES REVISED FOR METRIC EQUIVALENT, WIRE APPLICATION FOR 54200241 END SEAL CHANGED TO 14 TO 10AWG
12-1026	E10 B23			CONNECTOR ASSEMBLIES P/N'S F080510 TO F380510 AND END SEAL P/N F480510 ADDED FOR TEMP. CLASS 4 (10/12AWG APPLICATIONS, CORRECTED P/N'S 54200273 TO 54200276 WERE SWITCHED IN ERROR AT REV. N. ASSEMBLY P/N CHARTS UPDATED, NOTES UPDATED AND #13 ADDED
12-00884	ALL			REVISED AND REDRAWN IN PDS SEE REV M3 FOR PREVIOUS CHANGES PCL NOT AFFECTED

REV.	DATE	BY	CHKD.	DESCRIPTION
12-01348	F8			APPLICABLE WIRE NOTES REVISED FOR METRIC EQUIVALENT, WIRE APPLICATION FOR 54200241 END SEAL CHANGED TO 14 TO 10AWG
12-1026	E10 B23			CONNECTOR ASSEMBLIES P/N'S F080510 TO F380510 AND END SEAL P/N F480510 ADDED FOR TEMP. CLASS 4 (10/12AWG APPLICATIONS, CORRECTED P/N'S 54200273 TO 54200276 WERE SWITCHED IN ERROR AT REV. N. ASSEMBLY P/N CHARTS UPDATED, NOTES UPDATED AND #13 ADDED
12-00884	ALL			REVISED AND REDRAWN IN PDS SEE REV M3 FOR PREVIOUS CHANGES PCL NOT AFFECTED

CUSTOMER LEGENDS:
CHRYSLER: C
FORD: F
GENERAL MOTORS: GM
YAZAKI: Y

INDEX TYPE COLOR SEALED/UNSEALED MALE ASSEMBLY PART NOS. FEMALE ASSEMBLY PART NOS.

Данный компонент на территории Российской Федерации

Вы можете приобрести в компании MosChip.

Для оперативного оформления запроса Вам необходимо перейти по данной ссылке:

<http://moschip.ru/get-element>

Вы можете разместить у нас заказ для любого Вашего проекта, будь то серийное производство или разработка единичного прибора.

В нашем ассортименте представлены ведущие мировые производители активных и пассивных электронных компонентов.

Нашей специализацией является поставка электронной компонентной базы двойного назначения, продукции таких производителей как XILINX, Intel (ex.ALTERA), Vicor, Microchip, Texas Instruments, Analog Devices, Mini-Circuits, Amphenol, Glenair.

Сотрудничество с глобальными дистрибьюторами электронных компонентов, предоставляет возможность заказывать и получать с международных складов практически любой перечень компонентов в оптимальные для Вас сроки.

На всех этапах разработки и производства наши партнеры могут получить квалифицированную поддержку опытных инженеров.

Система менеджмента качества компании отвечает требованиям в соответствии с ГОСТ Р ИСО 9001, ГОСТ РВ 0015-002 и ЭС РД 009

Офис по работе с юридическими лицами:

105318, г.Москва, ул.Щербаковская д.3, офис 1107, 1118, ДЦ «Щербаковский»

Телефон: +7 495 668-12-70 (многоканальный)

Факс: +7 495 668-12-70 (доб.304)

E-mail: info@moschip.ru

Skype отдела продаж:

moschip.ru

moschip.ru_4

moschip.ru_6

moschip.ru_9