

Helping Customers Innovate, Improve & Grow



OX-046

Features

- Ultra Low G-Sensitivity
- Low Phase Noise
- Very High Frequency
- Frequency Range: 50 MHz to 250 MHz
- Standard Frequency: 100 MHz
- Vibration Compensation

Applications

- Military Avionics
- Airborne Radar
- Test Equipment
- Frequency Synthesizers
- Position Location
- Satellite Communications

Performance Specifications

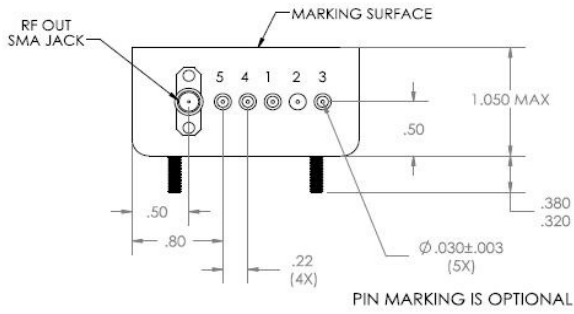
Parameter	Min	Typ	Max	Units	Condition
Available Frequencies					
Frequency Range	50		250	MHz	
G-Sensitivity Performance					
standard crystal			1.5	ppb/g	
g-Sensitivity w\ Low g-Crystal			0.5	ppb/g	
g-Sensitivity w\ Low g-Crystal & Vibration compensation			0.05	ppb/g	Degrades to 0.5 ppb/g above 250 Hz
(No mechanical resonances out to 2KHz)					G sensitivity specified per axis
For oscillators with 0.2 ppb/g out to 2 KHz please contact factory.					
Frequency Stabilities ¹					
(Stabilities listed for 100 MHz. For Stabilities above 100 MHz values may degrade. Please contact factory.)					
vs. Operating Temperature Range (referenced to +25°C)	-200 -150 -100 -50		+200 +150 +100 +50	ppb ppb ppb ppb	-40... +85°C -40... +70°C -20... +70°C 0... +70°C
Initial Tolerance	-500		+500	ppb	at time of shipment, nominal EFC
vs. Supply Voltage Change	-10		+10	ppb	Vs ± 5%
vs. Load Change	-10		+10	ppb	Load ± 5%
vs. Aging / Daily	-5		+5	ppb	after 30 days operation
vs. Aging / 1 st Year	-200		+200	ppb	after 30 days operation
vs. Aging / 10 Year	-1.5		+1.5	ppm	after 30 days operation
Retrace ²	-200		+200	ppb	
Warm-up Time			5	minutes	to ± 100ppb of final frequency (2 hour reading) @ +25°C

Performance Specifications

Parameter	Min	Typ	Max	Units	Condition
Supply Voltage (Vs)					
Supply voltage	14.25	15.0	15.75	VDC	ordering code A
	11.4	12.0	12.6	VDC	ordering code B
Oven Power Consumption			10.0	Watts	during warm-up all temperatures
			3.8	Watts	steady state @ +25°C
			7.0	Watts	steady state @ -40°C
			1.0	Watts	steady state @ +85°C
RF Output					
Start Time		1	2	s	time required to achieve 90% of amplitude
Signal	Sinewave				
Load		50		Ohm	
Output Power	+7.0	+10	+13	dBm	
Harmonics			-30	dBc	
Subharmonics			-30	dBc	for oscillator with output frequency > 120 MHz
Frequency Tuning (EFC)					
Tuning Range	±2.0		±3.0	ppm	Electronic frequency control
Linearity			20	%	
Tuning Slope	Positive				
Control Voltage Range	0.0	+5.0	+10.0	VDC	
Input Resistance	15			kOhm	
Modulation Bandwidth	150			Hz	
Phase Noise					
Phase Noise ³ (@ 100 MHz) (under static conditions - no vibration)			-100	dBc/Hz	10 Hz
			-130	dBc/Hz	100 Hz
			-150	dBc/Hz	1 KHz
			-165	dBc/Hz	10 KHz
			-175	dBc/Hz	100 KHz
Phase Noise ³ (@ 200 MHz) (under static conditions - no vibration)			-90	dBc/Hz	10 Hz
			-120	dBc/Hz	100 Hz
			-140	dBc/Hz	1 KHz
			-155	dBc/Hz	10 KHz
			-165	dBc/Hz	100 KHz

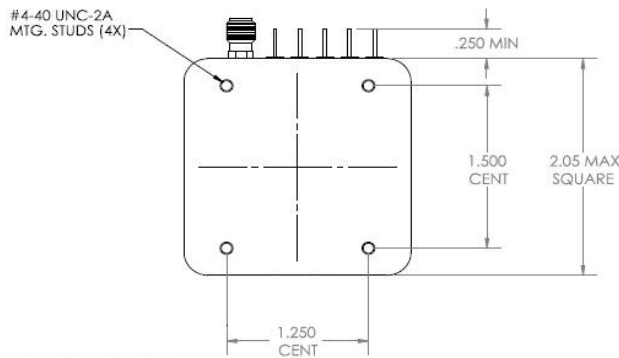
Parameter	Min	Typ	Max	Units	Condition
Additional Parameters¹					
Weight			150	g	
Absolute Maximum Ratings					
Supply voltage (Vs)			28	V	
Output Load	25		open	ohm	
Operable Temperature Range	-55		+85	°C	
Environmental Specifications					
Shock (Operating)	MIL-STD-202, Method 213, Condition J, 30G, 11ms, half sine				
Shock (Endurance)	Mil-STD-202, Method 213, Condition C, 100G, 6ms, half sine				
Sine Vibration (Operating)	Mil-STD-202, Method 204, Condition C, 10 G				
Sine Vibration (Endurance)	Mil-STD-202, Method 204, Condition D, 20 G				
Random Vibration (Operating)	Mil-STD-202, Method 214, Condition I-C, 9.26 Grms, 3-5min/axis (without vibe comp) Mil-STD-202, Method 214, Condition I-A, 5.35 Grms, 3-5min/axis (with vibe comp)				
Random Vibration (Endurance)	Mil-STD-202, Method 214, Condition I-D, 11.95 Grms, 3hrs/axis				
Seal	Nonhermetic - Mil-STD-202, Method 112, Condition D available only as custom part number - please contact factory				
Humidity	MIL-STD-202, Method 103, Condition B, 90% rh				
Altitude	MIL-STD-202, Method 105, sea level to 30,000 ft				
Resistance to Soldering Heat	MIL-STD-202, Method 210, Condition A,B,C				
RoHS	not RoHS compliant				
Terminal Strength	MIL-STD-202, Method 211, Condition C (5 bends at 45°, 2 lbs)				
Moisture Sensitivity Level	1				
Storage Temperature Range	-55		+125	°C	

Outline Drawing / Enclosure

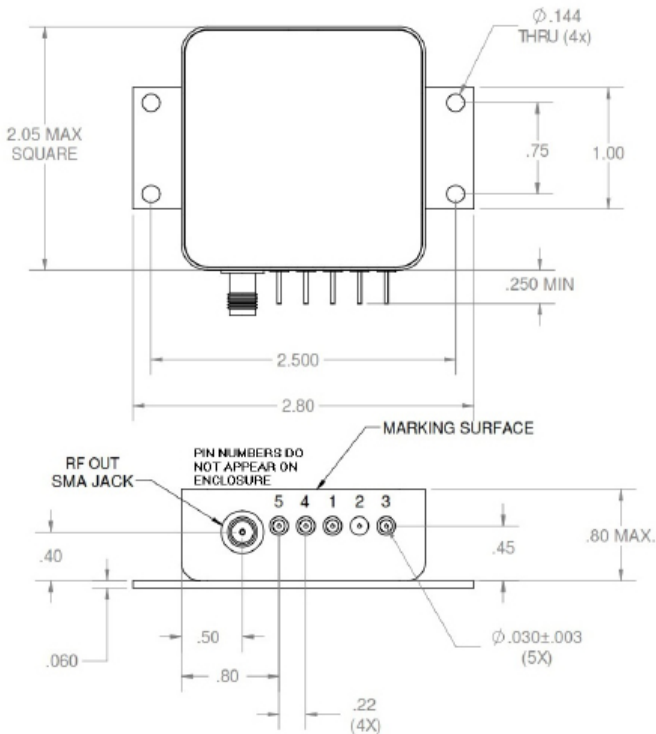


Dimensions in inches

Package configuration A		
ordering code	Height "H"	
5	0.80	
0	1.05	



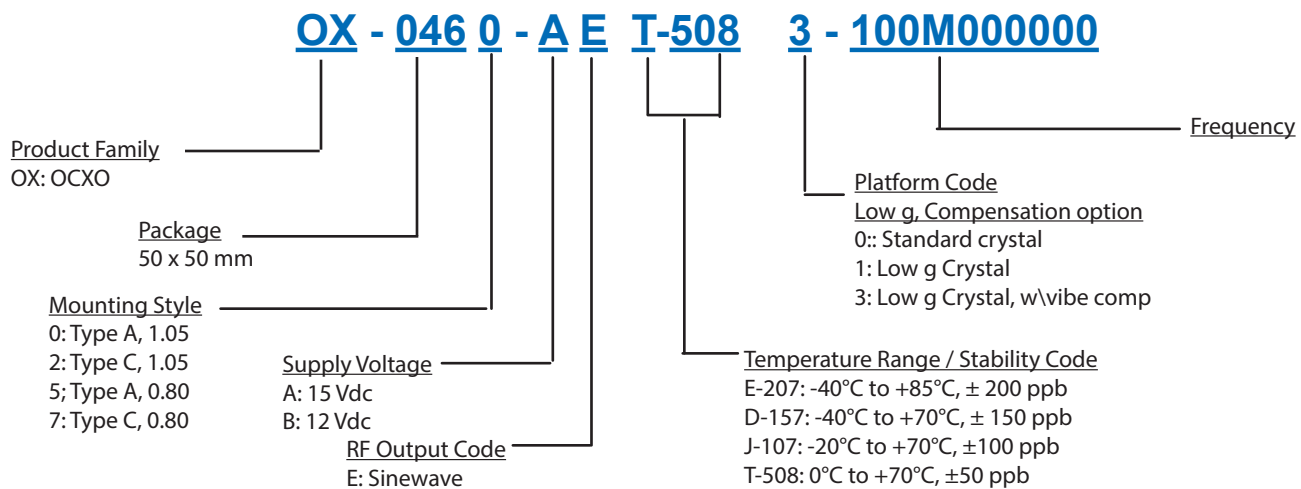
Pin Connections	
1	Electronic Frequency Control (EFC)
2	Ground (Case)
3	Supply Voltage
4	Microsemi Internal Use Only / NC
5	Microsemi Internal Use Only / NC



Package configuration C		
ordering code	Height "H"	
7	0.80	
2	1.05	

Pin Connections	
1	Electronic Frequency Control (EFC)
2	Ground (Case)
3	Supply Voltage
4	Microsemi Internal Use Only / NC
5	Microsemi Internal Use Only / NC

Ordering Information⁴



Additional Ordering Options

Additional ordering options available include custom temperature ranges, custom temperature stabilities, custom phase noise requirements, low profile, custom supply voltage, hermetic option and improved g-sensitivity. These modifications require a custom dash number - please contact the factory for additional information.

Notes:

1. Unless otherwise stated, all values are valid after warm-up time and refer to typical conditions for supply voltage, frequency control voltage, load, and temperature (25°C).
2. Retrace is defined as the frequency difference between the end of two 24 hour on power periods with a 24 hour off period in between while at a constant temperature.
3. Phase noise degrades with increasing output frequency.
4. Not all options and codes available at all frequencies.

Contact Information

USA:

100 Watts Street
Mt Holly Springs, PA 17065
Tel: 1.717.486.3411
Fax: 1.717.486.5920

Europe:

Landstrasse
74924 Neckarbischofsheim
Germany
Tel: +49 (0) 7268.801.0
Fax: +49 (0) 7268.801.281



Information contained in this publication regarding device applications and the like is provided only for your convenience and may be superseded by updates. It is your responsibility to ensure that your application meets with your specifications. MICROCHIP MAKES NO REPRESENTATION OR WARRANTIES OF ANY KIND WHETHER EXPRESS OR IMPLIED, WRITTEN OR ORAL, STATUTORY OR OTHERWISE, RELATED TO THE INFORMATION INCLUDING, BUT NOT LIMITED TO ITS CONDITION, QUALITY, PERFORMANCE, MERCHANTABILITY OR FITNESS FOR PURPOSE. Microchip disclaims all liability arising from this information and its use. Use of Microchip devices in life support and/or safety applications is entirely at the buyer's risk, and the buyer agrees to defend, indemnify and hold harmless Microchip from any and all damages, claims, suits, or expenses resulting from such use. No licenses are conveyed, implicitly, or otherwise, under any Microchip intellectual property rights unless otherwise stated.

Trademarks

The Microchip and Vectron names and logos are registered trademarks of Microchip Technology Incorporated in the U.S.A. and other countries.

Данный компонент на территории Российской Федерации

Вы можете приобрести в компании MosChip.

Для оперативного оформления запроса Вам необходимо перейти по данной ссылке:

<http://moschip.ru/get-element>

Вы можете разместить у нас заказ для любого Вашего проекта, будь то серийное производство или разработка единичного прибора.

В нашем ассортименте представлены ведущие мировые производители активных и пассивных электронных компонентов.

Нашей специализацией является поставка электронной компонентной базы двойного назначения, продукции таких производителей как XILINX, Intel (ex.ALTERA), Vicor, Microchip, Texas Instruments, Analog Devices, Mini-Circuits, Amphenol, Glenair.

Сотрудничество с глобальными дистрибьюторами электронных компонентов, предоставляет возможность заказывать и получать с международных складов практически любой перечень компонентов в оптимальные для Вас сроки.

На всех этапах разработки и производства наши партнеры могут получить квалифицированную поддержку опытных инженеров.

Система менеджмента качества компании отвечает требованиям в соответствии с ГОСТ Р ИСО 9001, ГОСТ РВ 0015-002 и ЭС РД 009

Офис по работе с юридическими лицами:

105318, г.Москва, ул.Щербаковская д.3, офис 1107, 1118, ДЦ «Щербаковский»

Телефон: +7 495 668-12-70 (многоканальный)

Факс: +7 495 668-12-70 (доб.304)

E-mail: info@moschip.ru

Skype отдела продаж:

moschip.ru

moschip.ru_4

moschip.ru_6

moschip.ru_9