

AS1716

Capacitive Sensor Interface

1 General Description

AS1716 is an analog front end specifically designed for unbiased Capacitive Sensors, as for instance Knock Sensors in Automotive, to be interfaced with Analog Digital Converters with Sample and Hold input stages.

The device provides differential inputs, a 1st order low pass filter to cutoff the high frequency noise components, differential to single ended conversion, programmable gain stage and a 2 pole low pass Multiple Feedback Filter.

The Knock Sensor is a Piezo Electric device that generates a voltage if it is stressed. It senses knock and transmits information to the electronic engine management control unit. This influences process control in the engine, for example timing and fuel injection until knock is eliminated.

The capacitive sensor is biased via resistors to a voltage level of $V_{DDA}/2$.

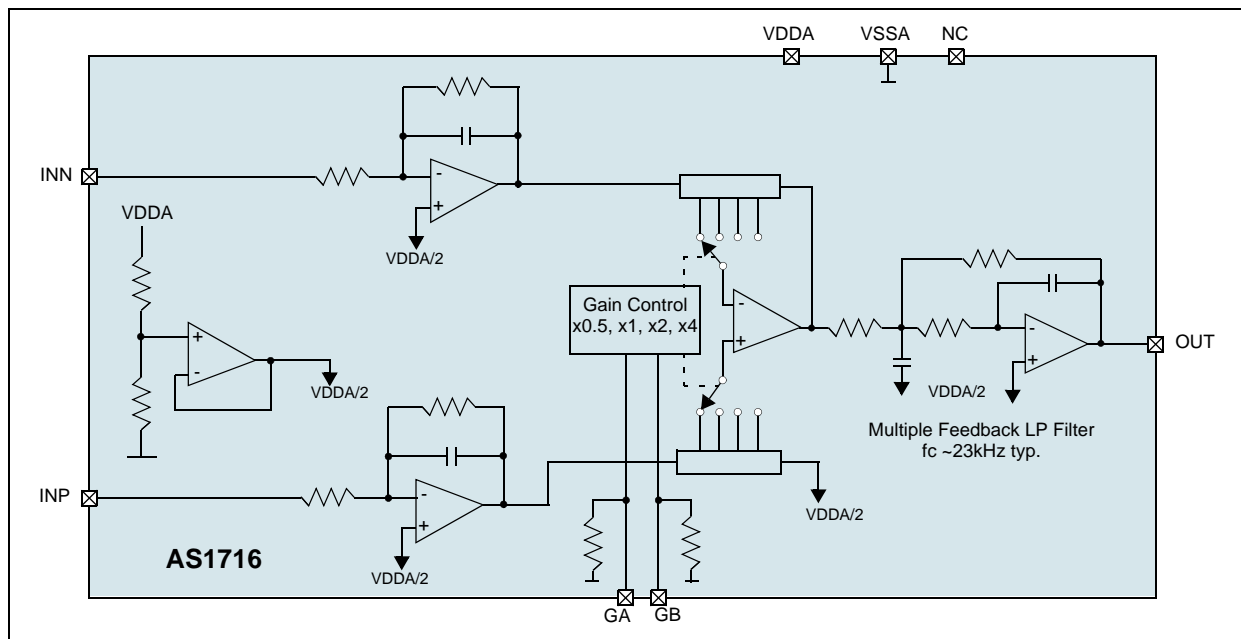
2 Key Features

- Differential input stage with wide input range
- Resistive sensor biasing ($V_{DDA}/2$)
- Programmable Gain (x0.5, x1, x2, x4)
- Internal 2nd order low pass Multiple Feedback Filter with a min. cut off frequency of 16kHz
- Single supply operation: 4.5V to 5.5V
- Operating Temperature range: -40°C to +125°C
- High CMRR: 55dB (min)
- EMC characterized by IEC 61967-4 (1Ω / 150Ω Method)
- EMC characterized by IEC 62132-4 (Direct Power Injection)
- Automotive qualified to AECQ100 for IC and PPAP level 3
- 8-pin SOIC Package

3 Applications

Analog front end for Capacitive Sensors to Analog to Digital Converters and DSP.

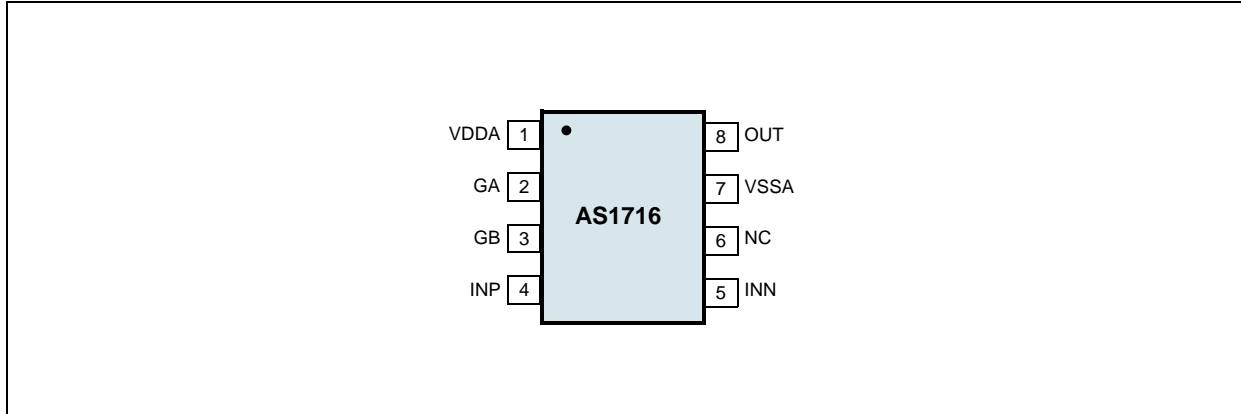
Figure 1. AS1716 - Block Diagram



4 Pinout

Pin Assignment

Figure 2. Pin Assignments (Top View)



Pin Description

Table 1. Pin Description

Pin Name	Pin Number	Description
VDDA	1	Positive Supply
GA	2	Gain selection. Internal pull-down of 100k Ω
GB	3	Gain selection. Internal pull-down of 100k Ω
INP	4	Non-Inverting Input
INN	5	Inverting Input
NC	6	Not Connected. Must be left unconnected in the application
VSSA	7	Negative Supply
OUT	8	Signal Output

5 Absolute Maximum Ratings

Stresses beyond those listed in [Table 2](#) may cause permanent damage to the device. These are stress ratings only, and functional operation of the device at these or any other conditions beyond those indicated in [Electrical Characteristics on page 4](#) is not implied. Exposure to absolute maximum rating conditions for extended periods may affect device reliability.

Table 2. Absolute Maximum Ratings

Parameter	Min	Max	Units	Comments
Electrical Parameters				
VDDA, VSSA		+7	V	
GA, GB, OUT, INP, INN, NC	VSSA - 0.3	VDDA + 0.3	V	To get an overvoltage protection of up to +16V at the system level, apply external resistors (typ. 1k Ω) on the pins INP and INN.
Input Current (latch-up immunity)	-100	+100	mA	Norm: AEC-Q100-004, @T _A = +25°C
Electrostatic Discharge				
Electrostatic Discharge HBM		±4	kV	Norm: AEC-Q100-002, @T _A = +25°C
Temperature Ranges and Storage Conditions				
Storage Temperature Range	-65	+150	°C	
Junction Temperature		+150	°C	
Package Body Temperature		+260	°C	The reflow peak soldering temperature (body temperature) specified is in accordance with IPC/JEDEC J-STD-020 "Moisture/Reflow Sensitivity Classification for Non-Hermetic Solid State Surface Mount Devices". The lead finish for Pb-free leaded packages is matte tin (100% Sn).
Humidity non-condensing	5	85	%	
Moisture Sensitive Level		3		Represents a max. floor life time of 168h

6 Electrical Characteristics

Parameters are measured at $V_{DDA} = 4.5V$ to $5.5V$, $R_{LOAD} = 100\Omega$ serial to $C_{LOAD} = 10nF$, $T_A = +25^\circ C$ and are referring to V_{SSA} , unless otherwise specified. Typical values are listed for reference only and will not be tested.

All limits are guaranteed. The parameters with min and max values are guaranteed with production tests or SQC (Statistical Quality Control) methods.

Table 3. Electrical Characteristics

Symbol	Parameter	Condition	Min	Typ	Max	Unit
TAMB	Operating Temperature Range		-45		+125	°C
DC Electrical Characteristics						
VDDA	Supply Voltage Range	@ pin VDDA	4.5	5	5.5	V
IDDA	Supply Current	@ pin VDDA	3	4.5	9	mA
PSRR ¹	Power Supply Rejection Ratio				6	dB
VCM	Common Mode input Range	@ pins INN, INP	VSSA		VDDA	V
CMRR	Common Mode Rejection Ratio		55			dB
RIN	Differential Input Resistance	between pins INN and INP	70	100	130	kΩ
VREF	Internal Common Mode Input Voltage	INP shorted to INN	$V_{DDA}/2 - 2\%$	$V_{DDA}/2$	$V_{DDA}/2 + 2\%$	V
VOFF	Offset Voltage	Gain1, $V_{INP} = V_{INN}$ @ $V_{CM} = V_{DDA}/2$, @ pin OUT	$V_{REF} - 10$		$V_{REF} + 10$	mV
VIL	Logic Low (GA, GB)	@ pin GA and GB			1.2	V
VIH	Logic High (GA, GB)	@ pin GA and GB	2.0			V
I _{LEAK}	Leakage Current (GA, GB)	$V_{DDA} = 5V$, Gain4		1		μA
VHYS ¹	Hysteresis	@ pin GA and GB	100	200		mV
RPD	Pull-Down Resistor	@ pin GA and GB	50	100	150	kΩ
Gain0.5	Overall gain 0.5	GA = GB = 1	0.5-10%	0.5	0.5+10%	
Gain1	Overall gain 1	GA = 1, GB = 0	1-10%	1	1+10%	
Gain2	Overall gain 2	GA = 0, GB = 1	2-5%	2	2+5%	
Gain4	Overall gain 4	GA = GB = 0, default setting	4-5%	4	4+5%	
RL	External Serial Resistor	RL serial to CL (see Figure 13 on page 8)	100		1k	Ω
CL	External Capacitive Load		0.01		10	nF
ISHORT+	Positive Short Circuit Current	V _{OUT} is driven to V _{DDA} and V _{OUT} is connected to V _{SSA}		25		mA
ISHORT-	Negative Short Circuit Current	V _{OUT} is driven to V _{SSA} and V _{OUT} is connected to V _{DDA}		25		mA
V _{OUT-L}	Output Range Low	@ pin V _{OUT}		$V_{SSA} + 0.05$		V
V _{OUT-H}	Output Range High	@ pin V _{OUT}		$V_{DDA} - 0.05$		V
AC Electrical Characteristics						
f _c	Filter Cut-off Frequency	$V_{DDA} = 4.5V$, GA = GB = 0, INP-INN = 1V _{pp} , f _{IN} = 16kHz and 29kHz	16	23	29	kHz
THD	Total Harmonic Distortion	$V_{DDA} = 5V$, f _{IN} = 1kHz, INP-INN = 8V _{pp} , Gain0.5		80		dB
V _{NOISE}	RMS noise at OUT	Gain4, f _c = 50Hz - 23kHz			1	mV _{RMS}

1. Guaranteed by design

7 Typical Operating Characteristics

VDDA = 5.0V, T_A = +25°C (unless otherwise specified).

Figure 3. CMRR vs. Temperature; G_A = G_B = 0

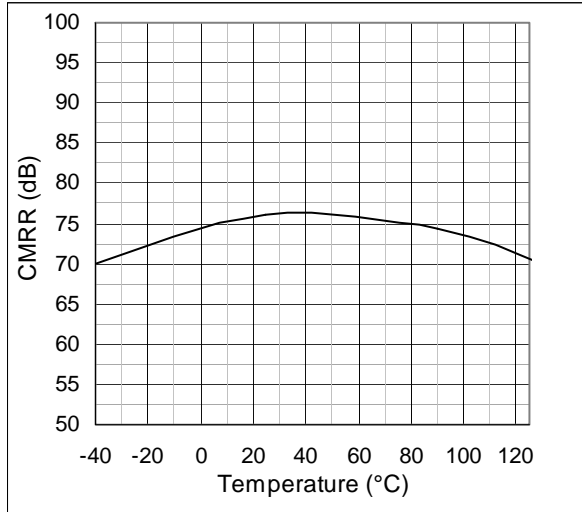


Figure 4. Supply Current vs. Temperature;

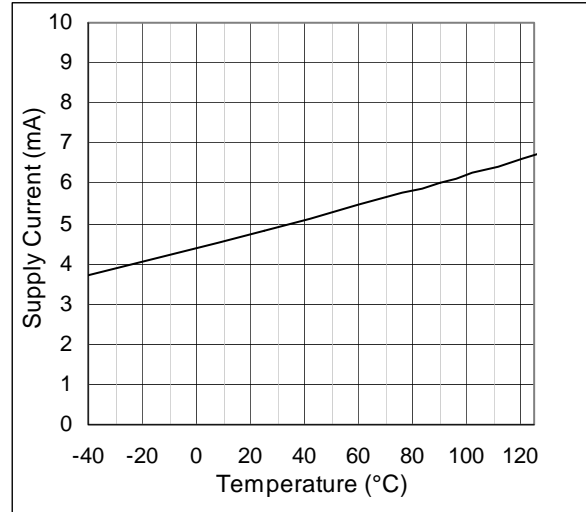


Figure 5. THD vs. Temperature

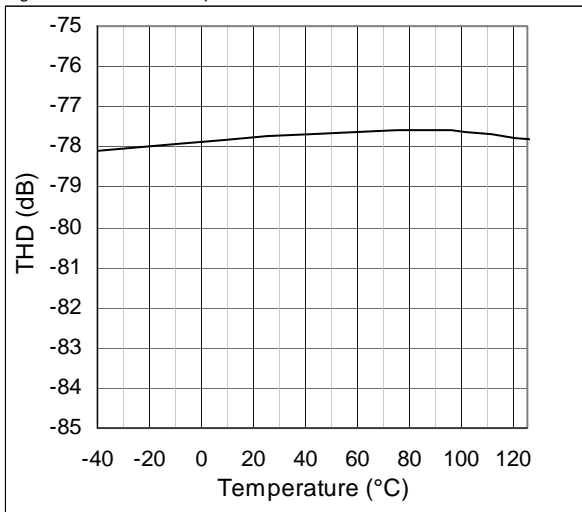


Figure 6. THD vs. Frequency

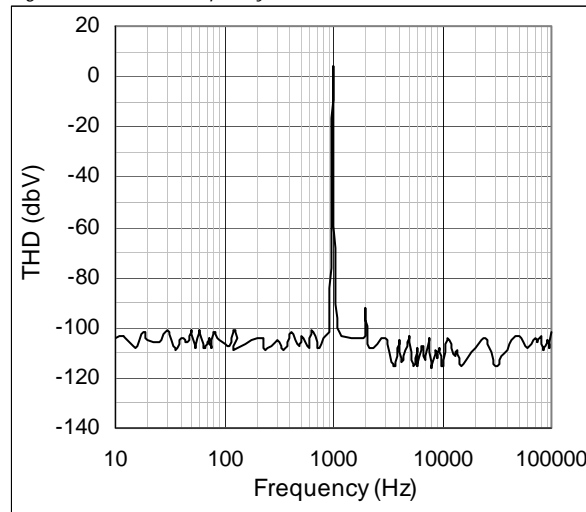


Figure 7. Transfer Characteristics

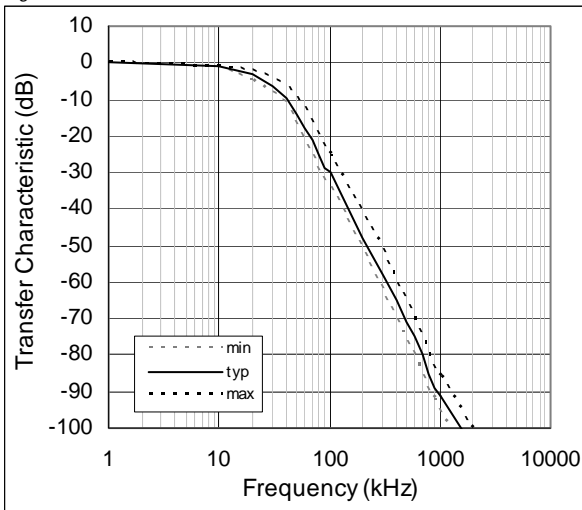
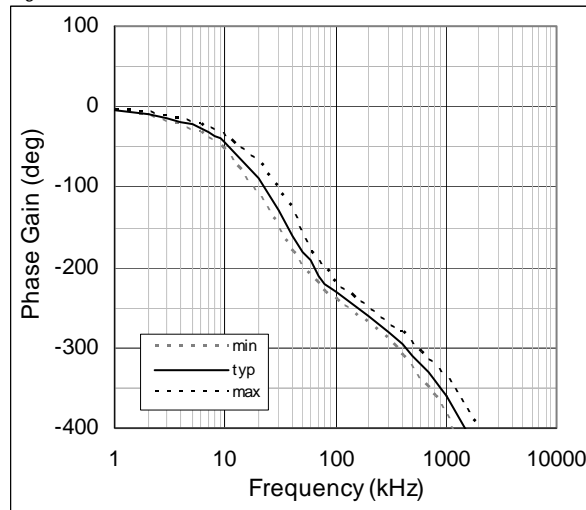


Figure 8. Phase Gain

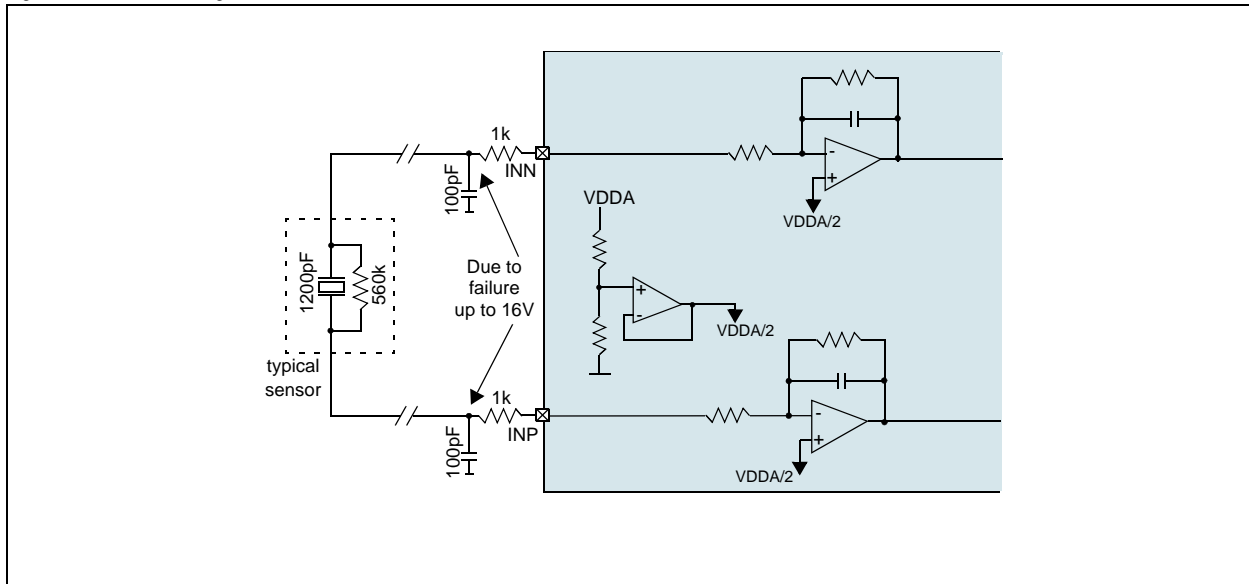


8 Detailed Description

Sensor Biasing and Input Protection Resistors

Due to the capacitive and differential nature of the knock sensor, the common mode voltage for the sensor must be set. This is ensured by the first amplifier, whose virtual ground is biasing the sensor via a of 50kΩ resistor. Due to a failure, voltages up to 16V can occur on the input pins. In this case two external serial resistors of 1kΩ must be applied at the inputs. These resistors are limiting the current, when the on chip protection diode opens.

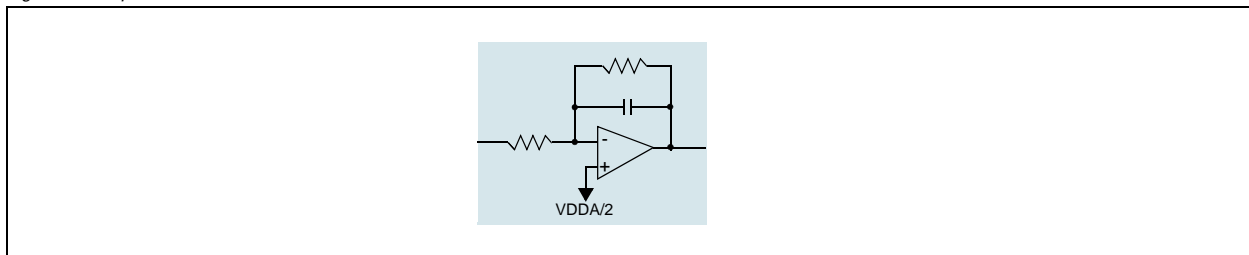
Figure 9. Sensor Biasing



Inverting Input Structure

The Input Structure is a first order low-pass filter and fulfills two main functions. First, it is used for biasing the sensor and second, the first order low-pass filter characteristic is used for noise suppression.

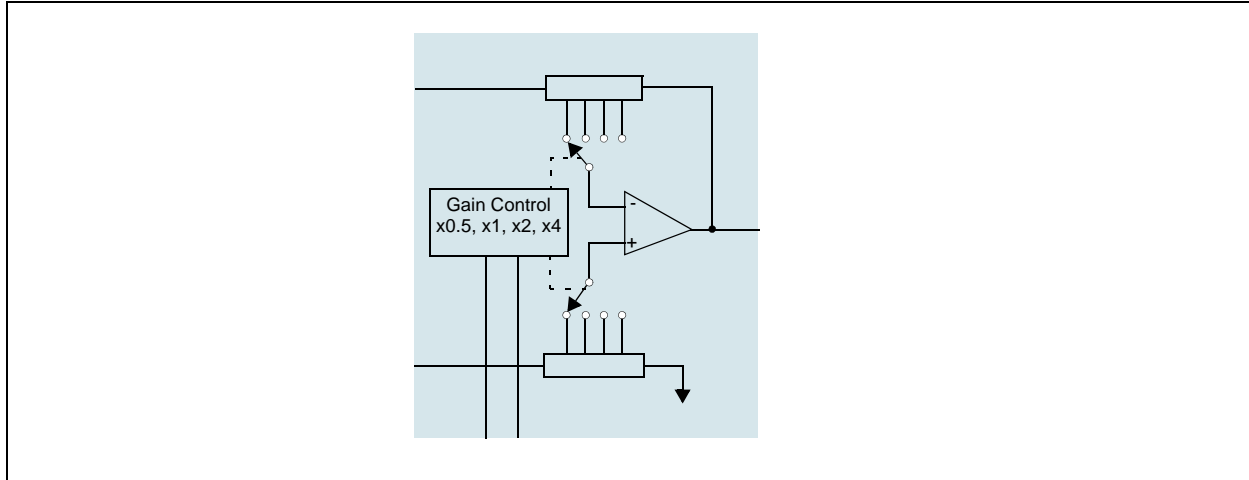
Figure 10. Input Buffer



Fully Differential to Single Ended Conversion

The Subtractor block converts the filtered differential sensor signal into a single ended signal. Further this block provides also the gain setting (see Section Gain Settings).

Figure 11. Subtractor Block



Gain Settings

By means of pins GA and GB, 4 gain settings (x0.5, x1, x2, x4) can be realized.

The default gain setting is 4, GA=0 and GB=0.

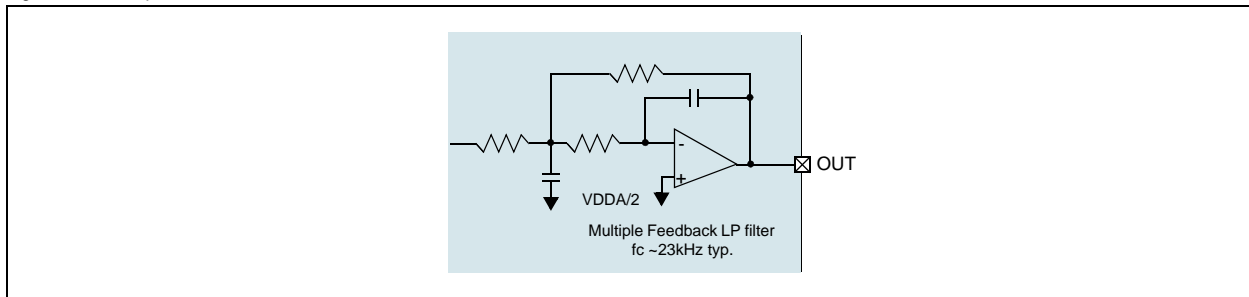
Table 4. Gain Settings

Gain	GA	GB
0.5	1	1
1	1	0
2	0	1
4	0	0

Multiple Feedback Filter

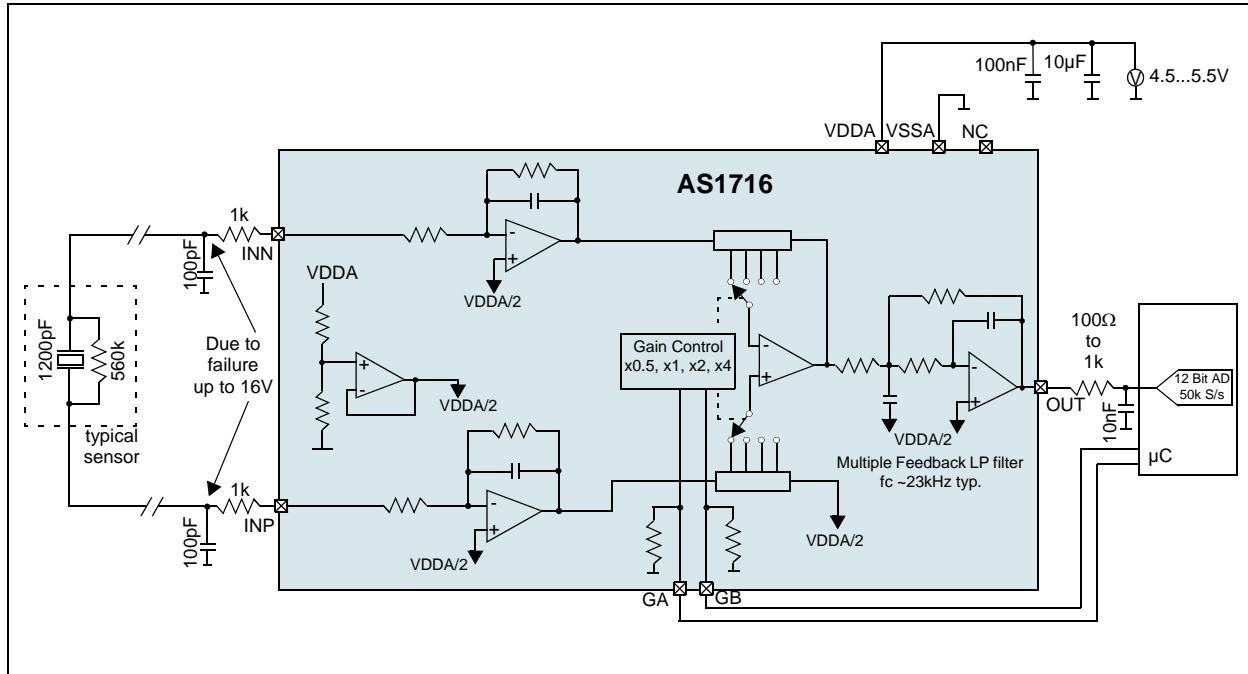
The Multiple Feedback Filter provides a second order low pass characteristics with a minimum cut-off frequency of 16kHz and a typical f_c of 23kHz. The Multiple Feedback configuration is used to avoid aliasing, to filter out high frequency components. The Output is able to drive a resistor from 100 Ω to 1k Ω serial to a 10nF capacitor.

Figure 12. Multiple Feedback Filter



9 Application Information

Figure 13. Application Diagram, minimal requirements



Values of the suggested external components are indicative and need to be characterized for each specific application.

Typical Piezo Sensor:

- Resistor from 500k Ω to 1M Ω
- Capacity from 900nF to 1.5 μ F

Typical wire equivalent circuit:

- Capacity to ground from 100pF to 400pF / meter
- Capacity between wires strongly depends on type of wires (twisted-pair strongly suggested)
- Resistance is typical 50m Ω / meter @ 20 $^{\circ}$ C

Layout rules

- Input Resistors and Capacitors at the inputs should be placed as close as possible to the stronger possible source of disturbances (i.e. the input connector).
- The input lines should be kept as short as possible and routed close to each other.
- The filter capacitor (100nF) on supply should be a ceramic type and placed as close as possible to the chip.
- VSSA and VDDA lines on PCB should have larger width than other signals to minimize resistance, especially if the 10 μ F capacitor is not very close to the chip.
- The output line should be kept as short as possible.

10 Package Drawings and Markings

Figure 14. 8-pin SOIC Marking

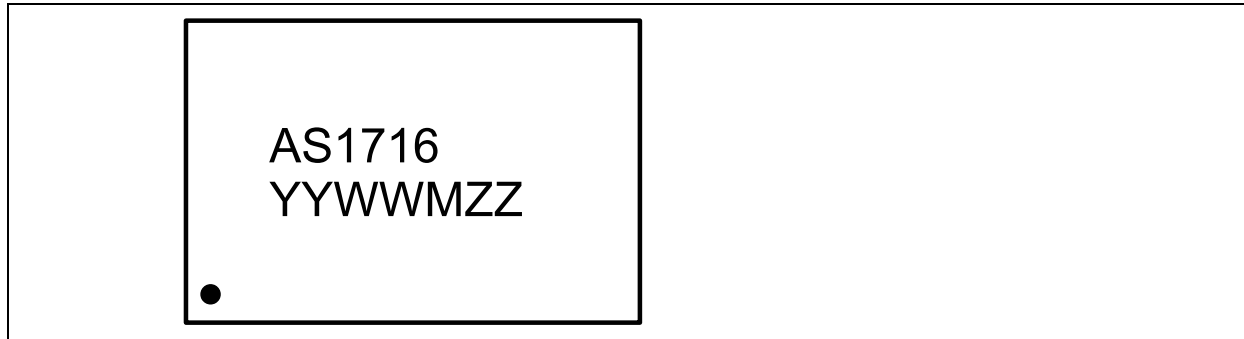
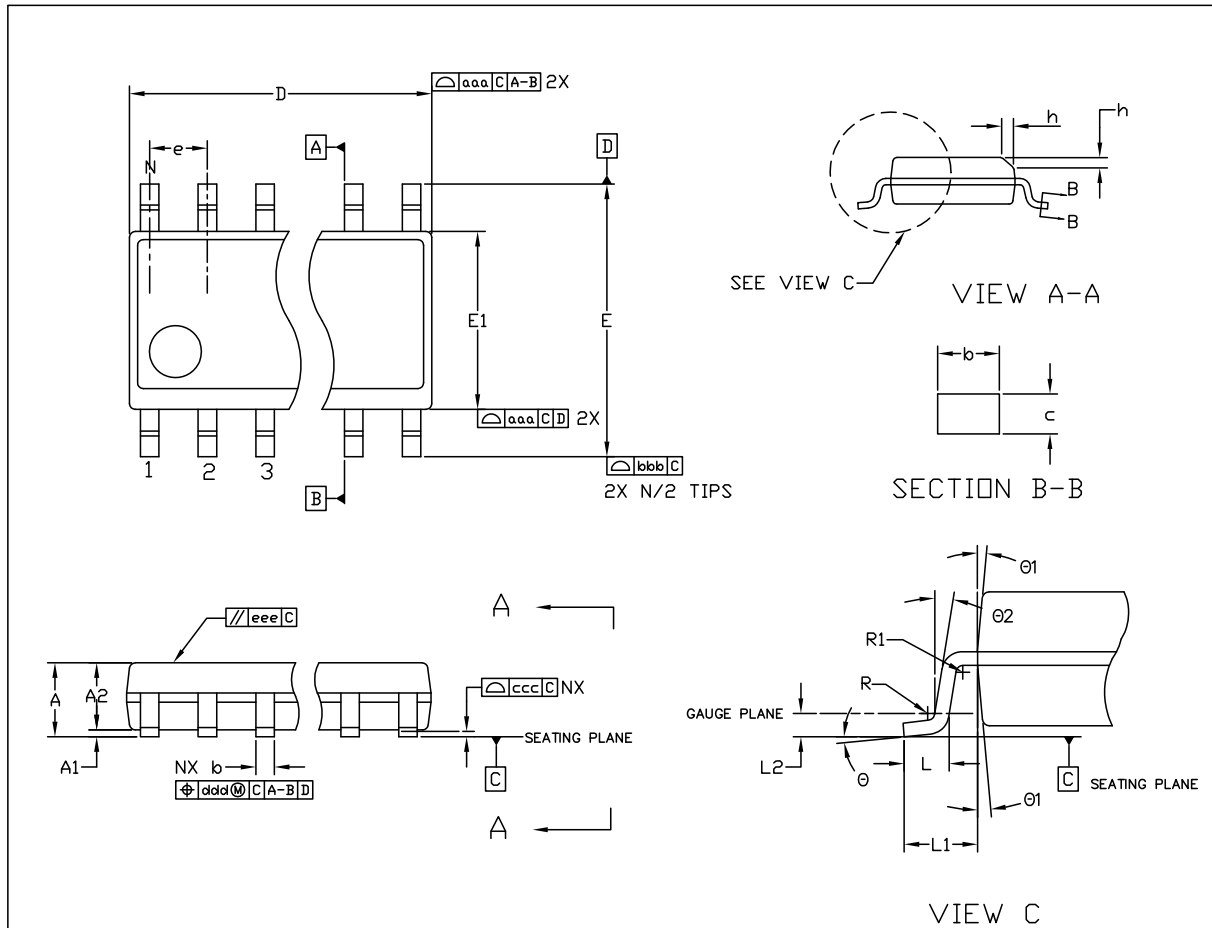


Table 5. Packaging Code YYWWMZZ

YY	WW	M	ZZ
last two digits of the current year	manufacturing week	plant identifier	free choice / traceability code

Figure 15. 8-pin SOIC Package Dimensions



REF.	MIN	NOM	MAX
A	—	—	1.75
A1	0.10	—	0.25
A2	1.25	—	—
b	0.31	—	0.51
c	0.17	—	0.25
D	—	4.90 BSC	—
E	—	6.00 BSC	—
E1	—	3.90 BSC	—
e	—	1.27 BSC	—
L	0.40	—	1.27
L1	—	1.40 REF	—
L2	—	0.25 BSC	—
R	0.07	—	—
R1	0.07	—	—
h	0.25	—	0.50
θ	0°	—	8°
θ1	5°	—	15°
θ2	0°	—	—
aaa	—	0.10	—
bbb	—	0.20	—
ccc	—	0.10	—
ddd	—	0.25	—
eee	—	0.10	—
fff	—	0.15	—
ggg	—	0.15	—
N	—	8	—



NOTE:

1. DIMENSIONS & TOLERANCEING CONFIRM TO ASME Y14.5M-1994.
2. ALL DIMENSIONS ARE IN MILLIMETERS. ANGELS ARE IN DEGREES.

			ASSEMBLY ENGINEERING	
a leap ahead in analog			TITLE	
DRAWN			SOIC 150MIL, 8 LEAD	
DATE			REFERENCE DOCUMENT	
2010.09.21			JEDEC MS - 012	
REV.			LATEST REVISION	
N/C			DRAWING NO.	
CHECKED			JCQ	
DATE			UNIT	
2010.09.21			DIMENSION AND TOLERANCE	
APPROVED			SCALE	
MKR			NOT IN SCALE	
DATE			SHEET	
2010.09.21			1 OF 1	

11 Ordering Information

The device is available as the standard product shown in [Table 6](#).

Table 6. Ordering Information

Ordering Code	Marking	Description	Delivery Form	Package
AS1716-ASOT	AS1716	Capacitive Sensor Interface, 16kHz	Tape and Reel	8-pin SOIC

Note: All products are RoHS compliant.

Buy our products or get free samples online at ICdirect: <http://www.austriamicrosystems.com/ICdirect>

For further information and requests, please contact us <mailto:sales@austriamicrosystems.com>
or find your local distributor at <http://www.austriamicrosystems.com/distributor>

Copyrights

Copyright © 1997-2011, austriamicrosystems AG, Tobelbaderstrasse 30, 8141 Unterpremstaetten, Austria-Europe. Trademarks Registered ®. All rights reserved. The material herein may not be reproduced, adapted, merged, translated, stored, or used without the prior written consent of the copyright owner.

All products and companies mentioned are trademarks or registered trademarks of their respective companies.

Disclaimer

Devices sold by austriamicrosystems AG are covered by the warranty and patent indemnification provisions appearing in its Term of Sale. austriamicrosystems AG makes no warranty, express, statutory, implied, or by description regarding the information set forth herein or regarding the freedom of the described devices from patent infringement. austriamicrosystems AG reserves the right to change specifications and prices at any time and without notice. Therefore, prior to designing this product into a system, it is necessary to check with austriamicrosystems AG for current information. This product is intended for use in normal commercial applications. Applications requiring extended temperature range, unusual environmental requirements, or high reliability applications, such as military, medical life-support or life-sustaining equipment are specifically not recommended without additional processing by austriamicrosystems AG for each application. For shipments of less than 100 parts the manufacturing flow might show deviations from the standard production flow, such as test flow or test location.

The information furnished here by austriamicrosystems AG is believed to be correct and accurate. However, austriamicrosystems AG shall not be liable to recipient or any third party for any damages, including but not limited to personal injury, property damage, loss of profits, loss of use, interruption of business or indirect, special, incidental or consequential damages, of any kind, in connection with or arising out of the furnishing, performance or use of the technical data herein. No obligation or liability to recipient or any third party shall arise or flow out of austriamicrosystems AG rendering of technical or other services.



Contact Information

Headquarters

austriamicrosystems AG
Tobelbaderstrasse 30
A-8141 Unterpremstaetten, Austria

Tel: +43 (0) 3136 500 0
Fax: +43 (0) 3136 525 01

For Sales Offices, Distributors and Representatives, please visit:

<http://www.austriamicrosystems.com/contact>

Данный компонент на территории Российской Федерации

Вы можете приобрести в компании MosChip.

Для оперативного оформления запроса Вам необходимо перейти по данной ссылке:

<http://moschip.ru/get-element>

Вы можете разместить у нас заказ для любого Вашего проекта, будь то серийное производство или разработка единичного прибора.

В нашем ассортименте представлены ведущие мировые производители активных и пассивных электронных компонентов.

Нашей специализацией является поставка электронной компонентной базы двойного назначения, продукции таких производителей как XILINX, Intel (ex.ALTERA), Vicor, Microchip, Texas Instruments, Analog Devices, Mini-Circuits, Amphenol, Glenair.

Сотрудничество с глобальными дистрибьюторами электронных компонентов, предоставляет возможность заказывать и получать с международных складов практически любой перечень компонентов в оптимальные для Вас сроки.

На всех этапах разработки и производства наши партнеры могут получить квалифицированную поддержку опытных инженеров.

Система менеджмента качества компании отвечает требованиям в соответствии с ГОСТ Р ИСО 9001, ГОСТ РВ 0015-002 и ЭС РД 009

Офис по работе с юридическими лицами:

105318, г.Москва, ул.Щербаковская д.3, офис 1107, 1118, ДЦ «Щербаковский»

Телефон: +7 495 668-12-70 (многоканальный)

Факс: +7 495 668-12-70 (доб.304)

E-mail: info@moschip.ru

Skype отдела продаж:

moschip.ru

moschip.ru_4

moschip.ru_6

moschip.ru_9