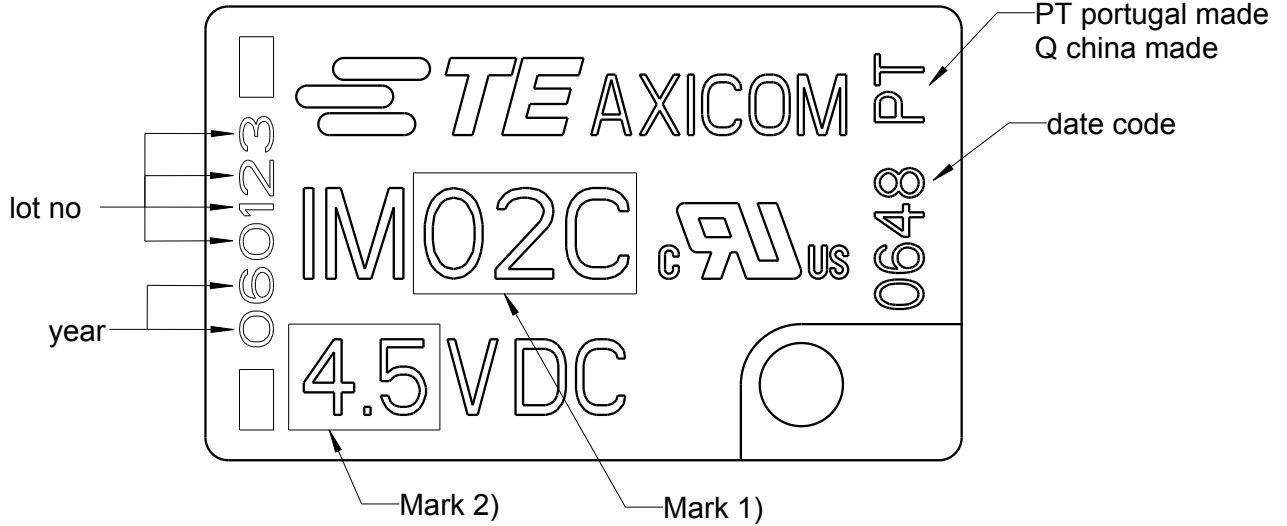



LOC	DIST	REVISIONS					
		P	LTR	DESCRIPTION	DATE	DWN	APVD
HJ	-		B12	New IM46CGR, IMF68HR	19OCT2011	UKo	JB
			B13	ECR-12-014500 (IMD obsolete)	18DEC2012	UKo	AK
			B14	ECR-12-021486 (Marking C to Q)	20DEC2012	UKo	JB
			C	ECR-13-014508 (TE-Logo) / PN-No updated	13JUN2013	UKo	AK



Relay-Typ	Mark 1)	Mark 2)	PN (GR)	PN (JR)	PN (TS)	PN (KS/NS)
IM00..	00	1.5	3-1462037-7	*3-1462037-9	3-1462037-5	
IM00NS	00N	1.5				*1-1462038-0
IM01..	01	3	1462037-1	4-1462037-0	1462037-4	
IM01..L	01	3			*4-1462039-4	
IM01B..	01B	3	4-1462039-5			
IM01B..	01B	3	*7-1462039-1			
IM01C..	01C	3	1462038-4		*9-1462038-6	
IM01NS	01N	3				1-1462038-1
IM01N..L	01N	3				4-1462039-3
IM02..	02	4.5	1462037-9	1-1462037-1	1-1462037-3	6-1462039-4
IM02..	02	4.5	8-1462039-1			
IM02..L	02	4.5	2-1462039-3			
IM02C..	02C	4.5	1462038-1			
IM02D..	02D	4.5	9-1462038-8			
IM02H..	02H	4.5	1-1462039-1			
IM02NS	02N	4.5				1-1462038-2

\*obsolete

DRAWING ALIAS: IM0C-DOK17

DIMENSIONS: mm	DWN HD 9121	21FEB2003	MATERIAL	-	FINISH	-
	CHK HD 9121	21FEB2003	 TE Connectivity			
TOLERANCES UNLESS OTHERWISE SPECIFIED: DIN 7168-m	APVD HD 9121	21FEB2003				
0 PLC ±-	PRODUCT SPEC	-	NAME IM-Relay Marking			
1 PLC ±-	APPLICATION SPEC	-	SIZE	CAGE CODE	DRAWING NO	RESTRICTED TO
2 PLC ±-			A4	00779	C-1462037-1	-
3 PLC ±-	WEIGHT	-	CUSTOMER DRAWING			
4 PLC ±-			SCALE	10:1	SHEET	1 OF 6
ANGLES ±-			REV C			

2000

RELEASED FOR PUBLICATION

THIS DRAWING IS UNPUBLISHED.

ALL RIGHTS RESERVED.

© COPYRIGHT 2000

LOC <b>HJ</b>	DIST <b>-</b>	REVISIONS					
		P	LTR	DESCRIPTION	DATE	DWN	APVD
				See sheet 1			

2000

RELEASED FOR PUBLICATION

THIS DRAWING IS UNPUBLISHED.


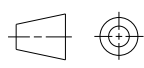
ALL RIGHTS RESERVED.

© COPYRIGHT 2000

Relay-Typ	Mark 1)	Mark 2)	PN (GR)	PN (JR)	PN (TS)	PN (KS/NS)
IM02NS..L	02N	4.5				2-1462039-4
IM02P..	02P	4.5	*5-1462039-4			
IM02PNS	02P	4.5				5-1462039-8
IM03..	03	5	1-1462037-4	1-1462037-6	1-1462037-8	*6-1462039-2
IM03..L	03	5	2-1462039-5			
IM03..X	03	5	8-1462039-6			
IM03C..	03C	5	1462038-2		4-1462039-7	
IM03D..	03D	5	9-1462038-9	3-1462039-3	8-1462039-3	
IM03NS	03N	5				1-1462038-3
IM03P..	03P	5	5-1462039-5	*6-1462039-6		
IM03PNS	03P	5				5-1462039-9
IM04..	04	6	4-1462037-2	4-1462037-4	4-1462037-1	
IM04B..	04B	6	6-1462039-5			
IM04NS	04N	6				1-1462038-4
IM05..	05	9	3-1462037-4	4-1462037-5	2-1462037-2	
IM05B..	05B	9	5-1462039-3			
IM05C..	05C	9	1462038-3			
IM05D..	05D	9	1-1462039-7			
IM05NS	05N	9				1-1462038-5
IM06..	06	12	2-1462037-3	4-1462037-6	2-1462037-7	
IM06..L	06	12	*5-1462039-1			
IM06C..	06C	12	9-1462037-9	3-1462039-4	4-1462037-9	
IM06D..	06D	12	1-1462039-8	7-1462039-0	3-1462039-8	
IM06I..	06I	12	*1462047-2			
IM06NS	06N	12				1-1462038-6
IM06NSL	06N	12				*4-1462039-9
IM06P..	06P	12	5-1462039-6			
IM06PNS	06P	12				6-1462039-0
IM07..	07	24	4-1462037-7	4-1462037-8	3-1462037-0	

\*obsolete

DRAWING ALIAS: **IM0C-DOK17**

DIMENSIONS: <b>mm</b>		DWN HD 9121 21FEB2003	MATERIAL -	FINISH -
TOLERANCES UNLESS OTHERWISE SPECIFIED: DIN 7168-m		CHK HD 9121 21FEB2003	 <b>TE Connectivity</b>	
		APVD HD 9121 21FEB2003		
0 PLC ±-		PRODUCT SPEC	NAME <b>IM-Relay Marking</b>	
1 PLC ±-		-		
2 PLC ±-		APPLICATION SPEC	SIZE	CAGE CODE
3 PLC ±-		-	<b>A4</b>	<b>00779</b>
4 PLC ±-			DRAWING NO	RESTRICTED TO
ANGLES ±-		WEIGHT	<b>C-1462037-1</b>	-
		CUSTOMER DRAWING		SCALE <b>10:1</b>
				SHEET <b>2</b> OF <b>6</b>
				REV <b>C</b>

LOC <b>HJ</b>	DIST <b>-</b>	REVISIONS					
		P	LTR	DESCRIPTION	DATE	DWN	APVD
				See sheet 1			

2000

RELEASED FOR PUBLICATION

THIS DRAWING IS UNPUBLISHED.


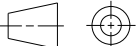
ALL RIGHTS RESERVED.

© COPYRIGHT 2000

Relay-Typ	Mark 1)	Mark 2)	PN (GR)	PN (JR)	PN (TS)	PN (KS/NS)
IM07C..	07C	24	1462039-2		1462039-1	
IM07D..	07D	24		7-1462039-4	7-1462039-2	
IM07NS	07N	24				1-1462038-7
IM08..	08	2.4	*6-1462039-3			
IM08I..	08I	2.4			1462047-3	
IM11..	11	3	9-1462038-5			
IM12..	12	4.5	1462039-3			
IM13..	13	5	1462039-4			
IM15..	15	9	8-1462039-5			
IM16..	16	12	1462039-5			
IM17..	17	24	1462039-6		4-1462039-6	
IM17C..	17C	24	*1462039-7			
IM21..	21	3	2-1462039-6		1-1462039-5	
IM22..	22	4.5	2-1462039-7		2-1462039-8	
IM22D..	22D	4.5			7-1462039-6	
IM23..	23	5	2-1462039-9		3-1462039-0	6-1462039-7
IM25..	25	9	3-1462039-5			
IM26..	26	12	3-1462039-1		3-1462039-2	
IM32H..	32H	4.5	*2-1462039-0			
IM40..	40	1.5	5-1462037-1	*5-1462037-2	*5-1462037-0	
IM40D..	40D	1.5	8-1462039-4			
IM40NS	40N	1.5				1-1462038-8
IM41..	41	3	5-1462037-4	5-1462037-5	5-1462037-3	
IM41C..	41C	3	4-1462039-2			
IM41D..	41D	3	6-1462039-8			
IM41NS	41N	3				1-1462038-9
IM42..	42	4.5	3-1462037-1	5-1462037-7	5-1462037-6	
IM42C..	42C	4.5	4-1462039-1			
IM42D..	42D	4.5	1-1462039-9			

\*obsolete

DRAWING ALIAS: IM0C-DOK17

DIMENSIONS: <b>mm</b>		DWN HD 9121 21FEB2003	MATERIAL -	FINISH -
TOLERANCES UNLESS OTHERWISE SPECIFIED: DIN 7168-m		CHK HD 9121 21FEB2003	 TE Connectivity	
		APVD HD 9121 21FEB2003		
0 PLC ±-		PRODUCT SPEC	NAME <b>IM-Relay Marking</b>	
1 PLC ±-		-		
2 PLC ±-		APPLICATION SPEC	SIZE	CAGE CODE
3 PLC ±-		-	A4	00779
4 PLC ±-		WEIGHT	DRAWING NO	
ANGLES ±-		-	C- 1462037-1	
		CUSTOMER DRAWING		RESTRICTED TO -
		SCALE	SHEET	REV
		10:1	3 OF 6	C

LOC <b>HJ</b>	DIST <b>-</b>	REVISIONS					
		P	LTR	DESCRIPTION	DATE	DWN	APVD
				See sheet 1			

2000

RELEASED FOR PUBLICATION

THIS DRAWING IS UNPUBLISHED.


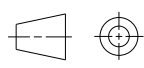
ALL RIGHTS RESERVED.

© COPYRIGHT 2000

Relay-Typ	Mark 1)	Mark 2)	PN (GR)	PN (JR)	PN (TS)	PN (KS/NS)
IM42DNS	42D	4.5				1-1462039-6
IM42NS	42N	4.5				2-1462038-0
IM42P..	42P	4.5	5-1462039-7			
IM42PNS	42P	4.5				7-1462039-8
IM42R..	42R	4.5	*6-1462039-9			
IM43..	43	5	5-1462037-9	6-1462037-0	5-1462037-8	
IM43C..	43C	5	9-1462038-7			
IM43NS	43N	5				2-1462038-1
IM43P	43P	5	*7-1462039-3			
IM44..	44	6	6-1462037-2	6-1462037-3	6-1462037-1	
IM44NS	44N	6				2-1462038-2
IM45..	45	9	6-1462037-4	6-1462037-5	3-1462037-2	
IM45I..	45I	9	1462047-5			
IM45NS	45	9				2-1462038-3
IM46..	46	12	6-1462037-7	6-1462037-8	6-1462037-6	
IM46..L	46	12	*5-1462039-2			
IM46C..	46C	12	8-1462039-0			
IM46NS	46N	12				2-1462038-4
IM46NSL	46N	12				*5-1462039-0
IM46PNS	46P	12				6-1462039-1
IM47..	47	24	7-1462037-0	*7-1462037-1	6-1462037-9	
IM47D..	47D	24		7-1462039-5		
IM47NS	47N	24				2-1462038-5
IM48..	48	2.4	1462039-8			
IM48D..	48D	2.4	1462039-9			
IM48I..	48I	2.4	1462047-1			
IM49D..	49D	2	*2-1462039-2			
IM49I..	49I	2	1462047-4			

\*obsolete

DRAWING ALIAS: IM0C-DOK17

DIMENSIONS: <b>mm</b>		DWN HD 9121 21FEB2003	MATERIAL -	FINISH -
TOLERANCES UNLESS OTHERWISE SPECIFIED: DIN 7168-m		CHK HD 9121 21FEB2003	 TE Connectivity	
		APVD HD 9121 21FEB2003		
0 PLC ±-		PRODUCT SPEC	NAME <b>IM-Relay Marking</b>	
1 PLC ±-		-		
2 PLC ±-		APPLICATION SPEC	SIZE	CAGE CODE
3 PLC ±-		-	A4	00779
4 PLC ±-		RESTRICTED TO	DRAWING NO	
ANGLES ±-		WEIGHT	C- 1462037-1	
		CUSTOMER DRAWING		SCALE 10:1
				SHEET 4 OF 6
				REV C

LOC <b>HJ</b>	DIST <b>-</b>	REVISIONS					
		P	LTR	DESCRIPTION	DATE	DWN	APVD
				See sheet 1			

Relay-Typ	Mark 1)	Mark 2)	PN (GR)	PN (JR)	PN (TS)	PN (KS/NS)
IM51D..	51D	3	*1-1462039-4	*1-1462039-3		
IM61..	61	3	7-1462039-7			
IM68..	68	2.4	8-1462039-2			
IMA01C..	A01C	3	1462040-1		1462040-5	
IMA02C..	A02C	4.5	1462040-2		1462040-6	
IMA03C..	A03C	5	1462040-3		1462040-7	
IMA06C..	A06C	12	1462040-4		1462040-8	
IMB01C..	B01C	3	1462041-1		1462041-4	
IMB02C..	B02C	4.5	1462041-2		1462041-5	
IMB03C..	B03C	5	1462041-7		1462041-8	
IMB03C..E	B03C	5	1-1462041-8			
IMB04C..	B04C	6	1462041-9		1-1462041-1	
IMB05C..	B05C	9	1-1462041-0		1-1462041-2	
IMB06C..	B06C	12	1462041-3		1462041-6	
IMB07C..	B07C	24	1-1462041-3		1-1462041-4	
IMB32B..	B32B	4.5	2-1462041-0			
IMB33B..	B33B	5	1-1462041-9			
IMB41C..	B41C	3	1-1462041-7			
IMB42C..	B42C	4.5	1-1462041-6		1-1462041-5	

2000


RELEASED FOR PUBLICATION

ALL RIGHTS RESERVED.

THIS DRAWING IS UNPUBLISHED.

© COPYRIGHT 2000

\*obsolete DRAWING ALIAS: IM0C-DOK17

DIMENSIONS: <b>mm</b>		DWN HD 9121 21FEB2003	MATERIAL -	FINISH -	
TOLERANCES UNLESS OTHERWISE SPECIFIED: DIN 7168-m  0 PLC ±- 1 PLC ±- 2 PLC ±- 3 PLC ±- 4 PLC ±- ANGLES ±-	CHK HD 9121 21FEB2003	 TE Connectivity			
	APVD HD 9121 21FEB2003				
	PRODUCT SPEC -	NAME <h3 style="text-align: center;">IM-Relay Marking</h3>			
	APPLICATION SPEC -				
WEIGHT -		SIZE <b>A4</b>	CAGE CODE 00779	DRAWING NO <b>C- 1462037-1</b>	RESTRICTED TO -
CUSTOMER DRAWING		SCALE <b>10:1</b>	SHEET <b>5</b>	OF <b>6</b>	REV <b>C</b>


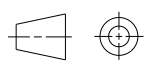
LOC <b>HJ</b>	DIST <b>-</b>	REVISIONS					
		P	LTR	DESCRIPTION	DATE	DWN	APVD
				See sheet 1			

2000  
 RELEASED FOR PUBLICATION  
 ALL RIGHTS RESERVED.  
 THIS DRAWING IS UNPUBLISHED.  
 COPYRIGHT 2000

Relay-Typ	Mark 1)	Mark 2)	PN (GR)	PN (JR)	PN (TS)	PN (KS/NS)
IMC01..	C01	3	1462042-1		1462042-4	
IMC02..	C02	4.5	1462042-2		1462042-5	
IMC03..	C03	5	1462042-8		1462042-7	
IMC06..	C06	12	1462042-3		1462042-6	
IMC07..	C07	24	1-1462042-1		1-1462042-2	
IMC02C..	C02C	4.5	1-1462042-0			
IMC03C..	C03C	5	1-1462042-5			
IMC06C..	C06C	12	1462042-9		1-1462042-4	
IMC41C..	C41C	3			1-1462042-3	
IMD01..	D01	3	*1462044-1		*1462044-5	
IMD02..	D02	4.5	*1462044-2		*1462044-6	
IMD03..	D03	5	*1462044-3		*1462044-7	
IMD06..	D06	12	*1462044-4		*1462044-8	
IME01..	E01	3	1462043-1		1462043-5	
IME02..	E02	4.5	1462043-2		1462043-6	
IME03..	E03	5	1462043-3		1462043-7	
IME06..	E06	12	1462043-4		1462043-8	
IMF61..	F61	3	1462048-3			
IMF68..	F68	2.4	1-1462048-0			
IMG03C..	G03C	5			2-1462045-5	
IMG42C..	G42C	4.5			2-1462045-6	

\*obsolete

DRAWING ALIAS: **IM0C-DOK17**

DIMENSIONS: <b>mm</b>	DWN HD 9121	21FEB2003	MATERIAL	-	FINISH	-
	CHK HD 9121	21FEB2003	 TE Connectivity			
TOLERANCES UNLESS OTHERWISE SPECIFIED: DIN 7168-m	APVD HD 9121	21FEB2003				
0 PLC ±-	PRODUCT SPEC	-	NAME <b>IM-Relay Marking</b>			
1 PLC ±-	APPLICATION SPEC	-				
2 PLC ±-	WEIGHT	-	SIZE	A4	CAGE CODE	00779
3 PLC ±-		DRAWING NO <b>C-1462037-1</b>	RESTRICTED TO			
4 PLC ±-			-			
ANGLES ±-	CUSTOMER DRAWING		SCALE	10:1	SHEET	6 OF 6
			REV	C		

## Данный компонент на территории Российской Федерации

### Вы можете приобрести в компании MosChip.

Для оперативного оформления запроса Вам необходимо перейти по данной ссылке:

<http://moschip.ru/get-element>

Вы можете разместить у нас заказ для любого Вашего проекта, будь то серийное производство или разработка единичного прибора.

В нашем ассортименте представлены ведущие мировые производители активных и пассивных электронных компонентов.

Нашей специализацией является поставка электронной компонентной базы двойного назначения, продукции таких производителей как XILINX, Intel (ex.ALTERA), Vicor, Microchip, Texas Instruments, Analog Devices, Mini-Circuits, Amphenol, Glenair.

Сотрудничество с глобальными дистрибьюторами электронных компонентов, предоставляет возможность заказывать и получать с международных складов практически любой перечень компонентов в оптимальные для Вас сроки.

На всех этапах разработки и производства наши партнеры могут получить квалифицированную поддержку опытных инженеров.

Система менеджмента качества компании отвечает требованиям в соответствии с ГОСТ Р ИСО 9001, ГОСТ РВ 0015-002 и ЭС РД 009

### Офис по работе с юридическими лицами:

105318, г.Москва, ул.Щербаковская д.3, офис 1107, 1118, ДЦ «Щербаковский»

Телефон: +7 495 668-12-70 (многоканальный)

Факс: +7 495 668-12-70 (доб.304)

E-mail: [info@moschip.ru](mailto:info@moschip.ru)

Skype отдела продаж:

moschip.ru

moschip.ru\_4

moschip.ru\_6

moschip.ru\_9