



### Main

|                           |   |
|---------------------------|---|
| Range of product          | Modicon TM5   |
| Product or component type | Analog input module   |
| Analogue input number     | 4   |
| Analogue input type       | Current 0...20 mA/4...20 mA, differential<br>Voltage +/- 10 V, differential |
| Analogue input resolution | 12 bits + sign +/- 10 V<br>12 bits 0...20 mA/4...20 mA                      |

### Complementary

|                           |   |
|---------------------------|---|
| Range compatibility       | Modicon LMC058<br>Modicon M258  |
| Product compatibility     | Motion controller<br>Logic controller   |
| Measurement resolution    | 2.441 mV, +/- 10 V<br>4.883 µA, 0...20 mA/4...20 mA   |
| Color                     | White   |
| Input impedance           | >= 20 mOhm voltage  |
| Load impedance ohmic      | <= 400 Ohm (current)  |
| Sampling duration         | 1 ms, analogue input type: all inputs with filtering<br>400 µs, analogue input type: all inputs without filtering |
| Measurement error         | < 0.08 % of full scale, 0...20 mA/4...20 mA at 25 °C<br>< 0.08 % of full scale, +/- 10 V, +/- 10 V at 25 °C       |
| Temperature coefficient   | +/- 0.009 %FS/°C, analogue input type: current<br>+/- 0.006 %FS/°C, analogue input type: voltage                  |
| Non-linearity             | < 0.025 %FS, analogue input type: voltage<br>< 0.05 %FS, analogue input type: current                             |
| Type of cable             | Shielded cable  |
| Isolation                 | No insulation between channels<br>500 Vrms AC insulation between channel and bus                                  |
| Supply                    | Internal  |
| [Us] rated supply voltage | 24 V DC -15...20 %  |
| Common mode rejection     | > 70 dB   |
| Local signalling          | 1 LED green power supply<br>1 LED red power supply<br>4 LEDs green input status                                   |
| Current consumption       | 2 mA 5 V DC bus<br>46 mA 24 V DC input/output   |
| Power dissipation in W    | <= 1.11 W   |
| Marking                   | CE  |
| Product weight            | 0.06 lb(US) (0.025 kg)  |

### Environment

|                        |   |
|------------------------|---|
| standards              | CSA C22.2 No 142<br>IEC 61131-2<br>UL 508<br>CSA C22.2 No 213 |
| product certifications | CSA<br>C-Tick<br>CULus<br>GOST-R                              |

|                                       |  |
|---------------------------------------|--|
| ambient air temperature for operation | 32...122 °F (0...50 °C) (vertical installation)<br>32...131 °F (0...55 °C) without derating factor (horizontal installation)<br>32...140 °F (0...60 °C) with derating factor (horizontal installation) |
| ambient air temperature for storage   | -13...158 °F (-25...70 °C)   |
| relative humidity                     | 5...95 % without condensation  |
| IP degree of protection               | IP20 conforming to IEC 61131-2   |
| pollution degree                      | 2 conforming to IEC 60664  |
| operating altitude                    | 0...6561.68 ft (0...2000 m)  |
| storage altitude                      | 0...9842.52 ft (0...3000 m)  |
| vibration resistance                  | 1 gn (f= 8.4...150 Hz) DIN rail<br>3.5 mm (f= 5...8.4 Hz) DIN rail   |
| shock resistance                      | 15 gn 11 ms  |
| resistance to electrostatic discharge | 4 kV on contact conforming to EN/IEC 61000-4-2<br>8 kV in air conforming to EN/IEC 61000-4-2   |
| resistance to electromagnetic fields  | 0.91 V/yd (1 V/m) 2...2.7 GHz conforming to EN/IEC 61000-4-3<br>9.14 V/yd (10 V/m) 80...2000 MHz conforming to EN/IEC 61000-4-3  |
| resistance to fast transients         | 1 kV I/O conforming to EN/IEC 61000-4-4<br>1 kV shielded cable conforming to EN/IEC 61000-4-4<br>2 kV power lines conforming to EN/IEC 61000-4-4   |
| surge withstand                       | 0.5 kV differential mode conforming to EN/IEC 61000-4-5<br>1 kV common mode conforming to EN/IEC 61000-4-5   |
| electromagnetic compatibility         | EN/IEC 61000-4-6   |
| disturbance radiated/conducted        | CISPR 11   |

## Offer Sustainability

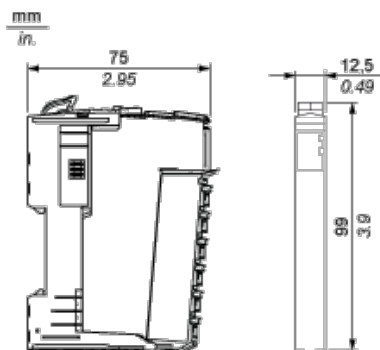
|  |  |
|--|--|
| Green Premium product  | Green Premium product  |
| Compliant - since 1039 - Schneider Electric declaration of conformity  | Compliant - since 1039 - Schneider Electric declaration of conformity  |
| Reference not containing SVHC above the threshold  | Reference not containing SVHC above the threshold  |
| Available  | Available  |
| Available  | Available  |
| WARNING: This product can expose you to chemicals including:   | WARNING: This product can expose you to chemicals including:   |
| Lead and lead compounds, which is known to the State of California to cause cancer and birth defects or other reproductive harm. | Lead and lead compounds, which is known to the State of California to cause cancer and birth defects or other reproductive harm. |
| For more information go to <a href="http://www.p65warnings.ca.gov">www.p65warnings.ca.gov</a>                                    | For more information go to <a href="http://www.p65warnings.ca.gov">www.p65warnings.ca.gov</a>                                    |

## Contractual warranty

|                 |           |
|-----------------|-----------|
| Warranty period | 18 months |
|-----------------|-----------|

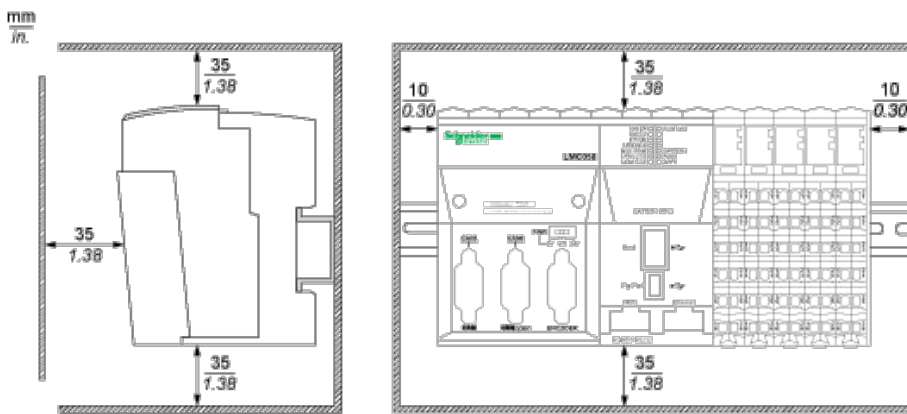
## TM5 Slice

### Dimensions

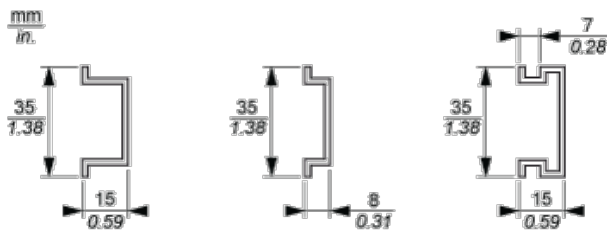


## TM5 System

### Spacing Requirements

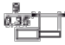



### Mounting on a DIN Rail



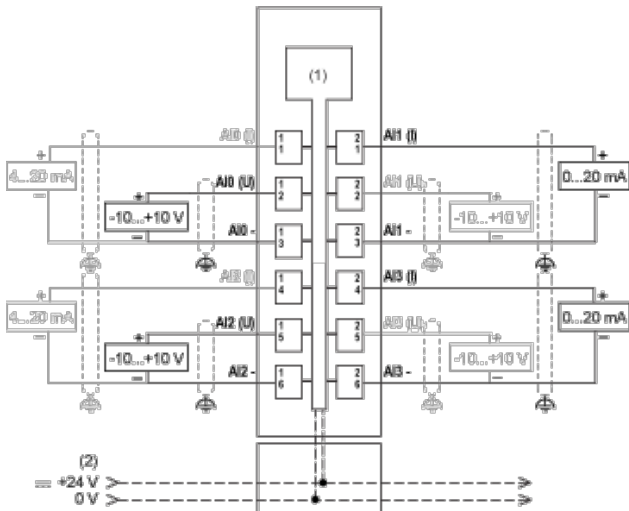
## TM5 System Wiring Recommendations

### Wire Sizes to Use with the Removable Spring Terminal Blocks

| mm<br>in.       |  |  |  |  |
|-----------------|---|---|---|---|
| mm <sup>2</sup> | 0,08...2,5  | 0,25...2,5  | 0,25...1,5  | 2 x 0,25...2 x 0,75   |
| AWG             | 28...14   | 24...14   | 24...16   | 2 x 24...2 x 18   |

## Electronic Module 4AI ±10V/0-20mA/4-20mA 12 Bits

### Wiring Diagram



- (1) Internal electronics
- (2) 24 Vdc I/O power segment integrated into the bus bases
- (I) Current
- (U) Voltage

## Данный компонент на территории Российской Федерации

### Вы можете приобрести в компании MosChip.

Для оперативного оформления запроса Вам необходимо перейти по данной ссылке:

<http://moschip.ru/get-element>

Вы можете разместить у нас заказ для любого Вашего проекта, будь то серийное производство или разработка единичного прибора.

В нашем ассортименте представлены ведущие мировые производители активных и пассивных электронных компонентов.

Нашей специализацией является поставка электронной компонентной базы двойного назначения, продукции таких производителей как XILINX, Intel (ex.ALTERA), Vicor, Microchip, Texas Instruments, Analog Devices, Mini-Circuits, Amphenol, Glenair.

Сотрудничество с глобальными дистрибьюторами электронных компонентов, предоставляет возможность заказывать и получать с международных складов практически любой перечень компонентов в оптимальные для Вас сроки.

На всех этапах разработки и производства наши партнеры могут получить квалифицированную поддержку опытных инженеров.

Система менеджмента качества компании отвечает требованиям в соответствии с ГОСТ Р ИСО 9001, ГОСТ РВ 0015-002 и ЭС РД 009

### Офис по работе с юридическими лицами:

105318, г.Москва, ул.Щербаковская д.3, офис 1107, 1118, ДЦ «Щербаковский»

Телефон: +7 495 668-12-70 (многоканальный)

Факс: +7 495 668-12-70 (доб.304)

E-mail: [info@moschip.ru](mailto:info@moschip.ru)

Skype отдела продаж:

moschip.ru

moschip.ru\_4

moschip.ru\_6

moschip.ru\_9