



Is Now Part of



ON Semiconductor®

To learn more about ON Semiconductor, please visit our website at
www.onsemi.com

Please note: As part of the Fairchild Semiconductor integration, some of the Fairchild orderable part numbers will need to change in order to meet ON Semiconductor's system requirements. Since the ON Semiconductor product management systems do not have the ability to manage part nomenclature that utilizes an underscore (_), the underscore (_) in the Fairchild part numbers will be changed to a dash (-). This document may contain device numbers with an underscore (_). Please check the ON Semiconductor website to verify the updated device numbers. The most current and up-to-date ordering information can be found at www.onsemi.com. Please email any questions regarding the system integration to Fairchild_questions@onsemi.com.

ON Semiconductor and the ON Semiconductor logo are trademarks of Semiconductor Components Industries, LLC dba ON Semiconductor or its subsidiaries in the United States and/or other countries. ON Semiconductor owns the rights to a number of patents, trademarks, copyrights, trade secrets, and other intellectual property. A listing of ON Semiconductor's product/patent coverage may be accessed at www.onsemi.com/site/pdf/Patent-Marking.pdf. ON Semiconductor reserves the right to make changes without further notice to any products herein. ON Semiconductor makes no warranty, representation or guarantee regarding the suitability of its products for any particular purpose, nor does ON Semiconductor assume any liability arising out of the application or use of any product or circuit, and specifically disclaims any and all liability, including without limitation special, consequential or incidental damages. Buyer is responsible for its products and applications using ON Semiconductor products, including compliance with all laws, regulations and safety requirements or standards, regardless of any support or applications information provided by ON Semiconductor. "Typical" parameters which may be provided in ON Semiconductor data sheets and/or specifications can and do vary in different applications and actual performance may vary over time. All operating parameters, including "Typicals" must be validated for each customer application by customer's technical experts. ON Semiconductor does not convey any license under its patent rights nor the rights of others. ON Semiconductor products are not designed, intended, or authorized for use as a critical component in life support systems or any FDA Class 3 medical devices or medical devices with a same or similar classification in a foreign jurisdiction or any devices intended for implantation in the human body. Should Buyer purchase or use ON Semiconductor products for any such unintended or unauthorized application, Buyer shall indemnify and hold ON Semiconductor and its officers, employees, subsidiaries, affiliates, and distributors harmless against all claims, costs, damages, and expenses, and reasonable attorney fees arising out of, directly or indirectly, any claim of personal injury or death associated with such unintended or unauthorized use, even if such claim alleges that ON Semiconductor was negligent regarding the design or manufacture of the part. ON Semiconductor is an Equal Opportunity/Affirmative Action Employer. This literature is subject to all applicable copyright laws and is not for resale in any manner.



FAN3988 USB/Charger and Over-Voltage Detection Device

Features

- Charger/USB Detection Device
- Charger/USB Device Detection Flag
- Over-/Under-Voltage Detection Flag
- V_{BUS} Supply: 2.7 V to 20 V
- C_{ON} of 1.5 pF
- 6-Lead MicroPak™ MLP Package

Applications

- Mobile Phones
- Handheld Devices

Description

The FAN3988 is a USB-connection-monitoring device used to determine if a standard USB device or a battery-charging device is connected.

The FAN3988 sets the FLAG1 pin to logic HIGH or LOW as an indicator to the system controller that a standard USB device or a charger is connected to the USB port. The FAN3988 also monitors the V_{BUS} for over- or under-voltage conditions. The FLAG2 pin is set LOW if V_{BUS} is less than 3.3 V or greater than 6.0 V.

The FAN3988 is packaged in a very small 6-lead MicroPak™ MLP package suitable for small board space applications, such as mobile phones.

Ordering Information

| Part Number | Operating Temperature Range | Package | Packing Method | Quantity |
|---------------------------------|-----------------------------|------------------------------|----------------|----------|
| FAN3988IL6X | -40°C to +85°C | 6-Lead MicroPak™ MLP Package | Reel | 5000 |
| FAN3988IL6X_F113 ⁽¹⁾ | | | | |

Note:

1. Legacy product number; please order FAN3988IL6X for new designs.

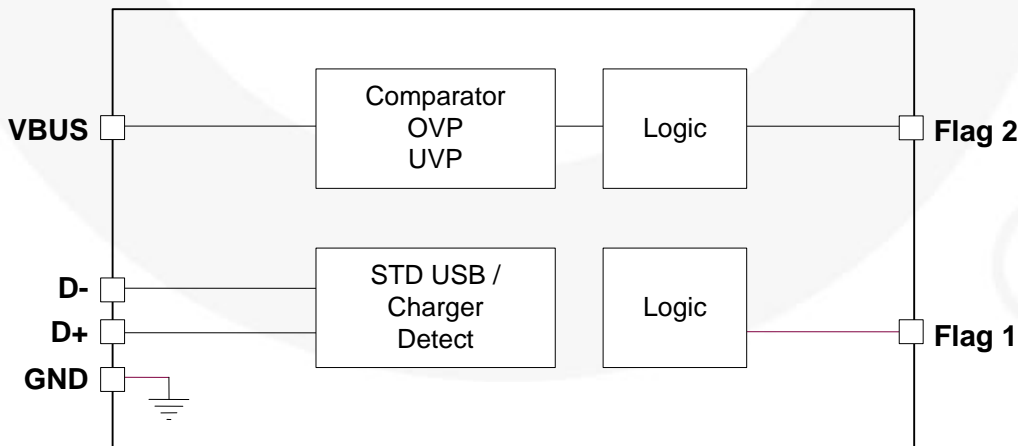


Figure 1. Block Diagram

Pin Configuration

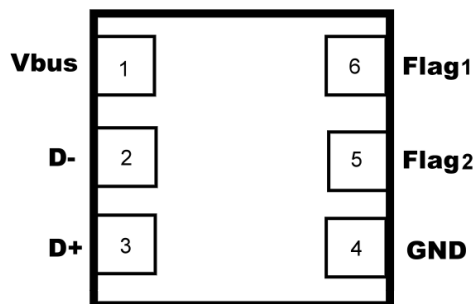


Figure 2. Pin Configuration (Top View)

Pin Definitions

| Pin# | Name | Type | Description |
|------|-------|--------|---|
| 1 | Vbus | Input | Power input from charger, USB device, or handheld battery |
| 2 | D- | Input | USB data input |
| 3 | D+ | Input | USB data input |
| 4 | Gnd | Input | Device ground |
| 5 | Flag2 | Output | Over/under-voltage flag output |
| 6 | Flag1 | Output | Charger/standard USB device detect flag |

Truth Table

| Connection State | V _{BUS} (V) | D- | D+ | FLAG1 | FLAG2 |
|-------------------------------|----------------------|-------------|-------------|-------|-------|
| STD USB Device ⁽²⁾ | 0 | Open | Open | LOW | LOW |
| STD USB Device | 0 | R to GND | R to GND | LOW | LOW |
| STD USB Device | 5 | R to GND | R to GND | LOW | HIGH |
| USB Charger | 5 | Short to D+ | Short to D- | HIGH | HIGH |
| V _{BUS} > 6 V | > 6 | Short to D+ | Short to D- | HIGH | LOW |
| V _{BUS} < 3.3 V | < 3.3 | Short to D+ | Short to D- | HIGH | LOW |
| PC Data/Charger | 5 | Open | Open | LOW | HIGH |

Note:

2. See Figure 7.

Absolute Maximum Ratings

Stresses exceeding the absolute maximum ratings may damage the device. The device may not function or be operable above the recommended operating conditions and stressing the parts to these levels is not recommended. In addition, extended exposure to stresses above the recommended operating conditions may affect device reliability. The absolute maximum ratings are stress ratings only.

| Symbol | Parameter | Min. | Max. | Unit |
|------------------|-------------------|------|------|------|
| V _{BUS} | DC Supply Voltage | -0.3 | 20.0 | V |

Reliability Information

| Symbol | Parameter | Min. | Typ. | Max. | Unit |
|------------------|--|------|------|------|------|
| T _J | Junction Temperature | | | +150 | °C |
| T _{STG} | Storage Temperature Range | -65 | | +150 | °C |
| θ _{JA} | Thermal Resistance, JEDEC Standard, Multi-layer Test Boards, Still Air | | 41 | | °C/W |

ESD Information

| Symbol | Parameter | | Max. | Unit |
|--------|-------------------------------------|-----------------------------------|------|------|
| ESD | Electrostatic Discharge Information | Human Body Model, JESD22-A114 | 5 | kV |
| | | Charged Device Model, JESD22-C101 | 2 | |

Recommended Operating Conditions

The Recommended Operating Conditions table defines the conditions for actual device operation. Recommended operating conditions are specified to ensure optimal performance to the datasheet specifications. Fairchild does not recommend exceeding them or designing to Absolute Maximum Ratings.

| Symbol | Parameter | Min. | Typ. | Max. | Unit |
|------------------|-----------------------------|------|------|------|------|
| T _A | Operating Temperature Range | -40 | | +85 | °C |
| V _{BUS} | Supply Voltage Range | 2.7 | 5.0 | 20.0 | V |

DC Electrical Characteristics

$T_A = 25^\circ\text{C}$ and $V_{BUS} = 5.0\text{ V}$, unless otherwise noted.

| Symbol | Parameter | Condition | Min. | Typ. | Max. | Unit |
|-------------------------------|---------------------------------------|--|-------|-------|-------|---------------|
| Supply | | | | | | |
| V_{BUS} | Supply Voltage Range | V_{BUS} Range | 2.7 | 5.0 | 20.0 | V |
| I_{BUS} | Quiescent Supply Current | $V_{BUS} = +5.0\text{ V}$, D+ D- Shorted | | 1.2 | 2.0 | mA |
| t_{SUPPLY} | Power-Up Stabilization Time | $V_{BUS} = +5.0\text{ V}$, D+ D- Shorted | | 10 | | ms |
| Input Characteristics | | | | | | |
| C_{D+} | Input Capacitance | | | 1.5 | 2.0 | pF |
| C_{D-} | Input Capacitance | | | 1.5 | 2.0 | pF |
| $I_{off\ D+}$ | Off Leakage Current | $V_{BUS} = 0\text{ V}$ or 5 V V_{IN} on D+ = 5 V | | 1 | | μA |
| $I_{off\ D-}$ | Off Leakage Current | $V_{BUS} = 0\text{ V}$ or 5 V V_{IN} on D- = 5 V | | 1 | | μA |
| Output Characteristics | | | | | | |
| OV_{DETECT} | Over-Voltage Threshold Detect | $V_{BUS} = +5.0\text{ V}$, Flag2 = LOW | 5.8 | 6.0 | 6.5 | V |
| OV_{HYST} | Over-Voltage Hysteresis | Voltage Sweep through Upper and Lower Trip Points | | 100 | | mV |
| UV_{DETECT} | Under-Voltage Threshold Detect | $V_{BUS} = +5.0\text{ V}$, Flag2 = LOW | 3.0 | 3.3 | 3.6 | V |
| UV_{HYST} | Under-Voltage Hysteresis | Voltage Sweep through Upper and Lower Trip Points | | 100 | | mV |
| $V_{OH\ FLAG1/FLAG2}$ | Minimum HIGH Output Voltage | $V_{BUS} = +5.0\text{ V}$, $I_{OH} = -20\ \mu\text{A}$ | 2.4 | | 2.6 | V |
| $V_{OL\ FLAG1/FLAG2}$ | Maximum LOW Output Voltage | $V_{BUS} = +5.0\text{ V}$, $I_{OL} = 20\ \mu\text{A}$ | | | 0.3 | V |
| $I_{OH\ FLAG1/FLAG2}$ | Minimum HIGH Output Current | | -20 | | | μA |
| $I_{OL\ FLAG1/FLAG2}$ | Maximum HIGH Output Current | | | | 20 | μA |
| D+/D- Threshold | USB SDP (Standard Downstream Port) | D+ = 3V; D- = 0V-3V or 3V-0V D- = 3V; D+ = 0V-3V or 3V-0V | 1.025 | 1.300 | 1.365 | V |
| | USB DCP (Dedicated Charging Port) | D+/D- = 0V-3V, 3V-0V | | 1.450 | | V |
| t_{off} | Flag2 HIGH to LOW | 100 pF Load | | 10 | | ns |
| t_{on} | Flag2 LOW to HIGH | 100 pF Load | | 44 | | ns |

Typical Performance Characteristics

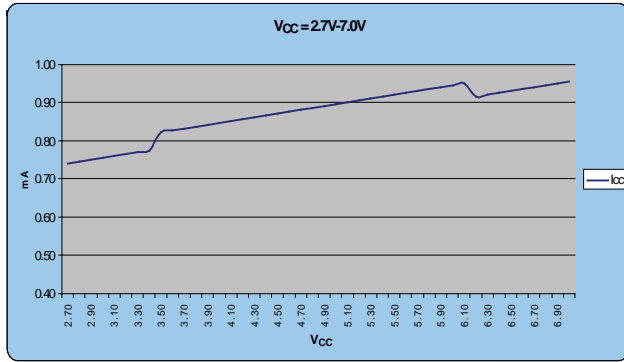


Figure 3. I_{BUS} vs. V_{BUS} (2.7 V-7.0 V) No Load

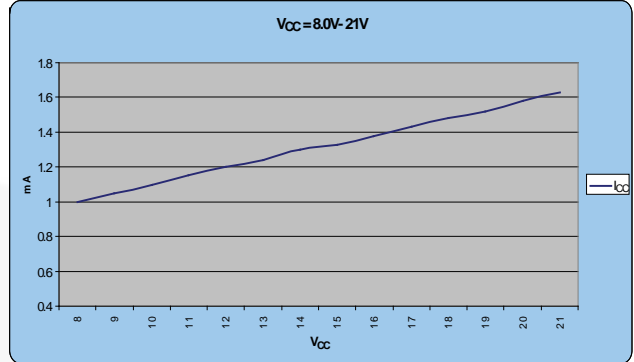


Figure 4. I_{BUS} vs. V_{BUS} (8.0V-21 V) No Load

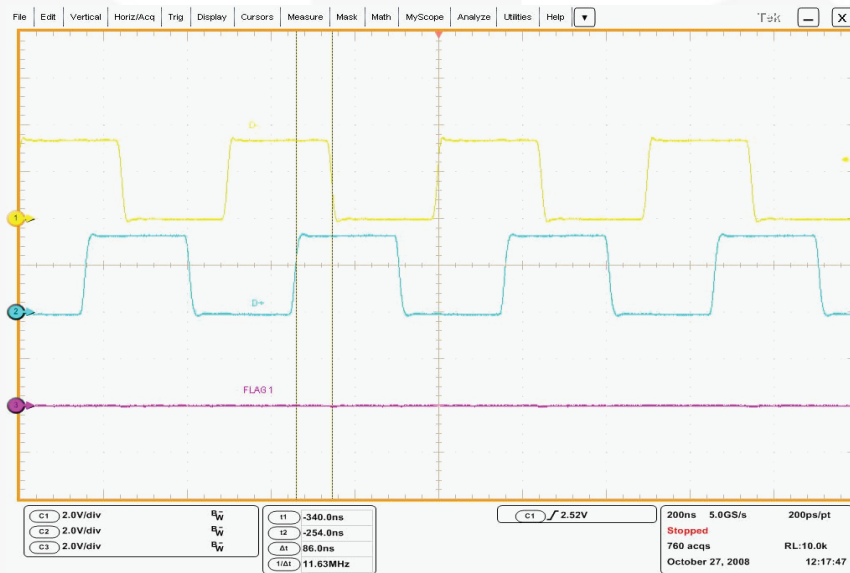


Figure 5. No Fault on Flag 1, Skew=65 ns

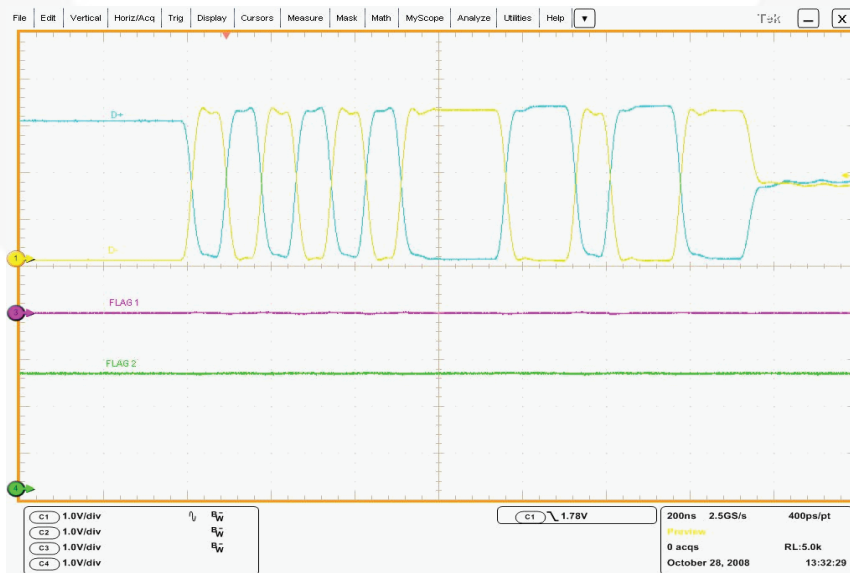


Figure 6. PC Data Running D+/D- (Flag 1 and Flag 2 at Correct Levels)

Application Information

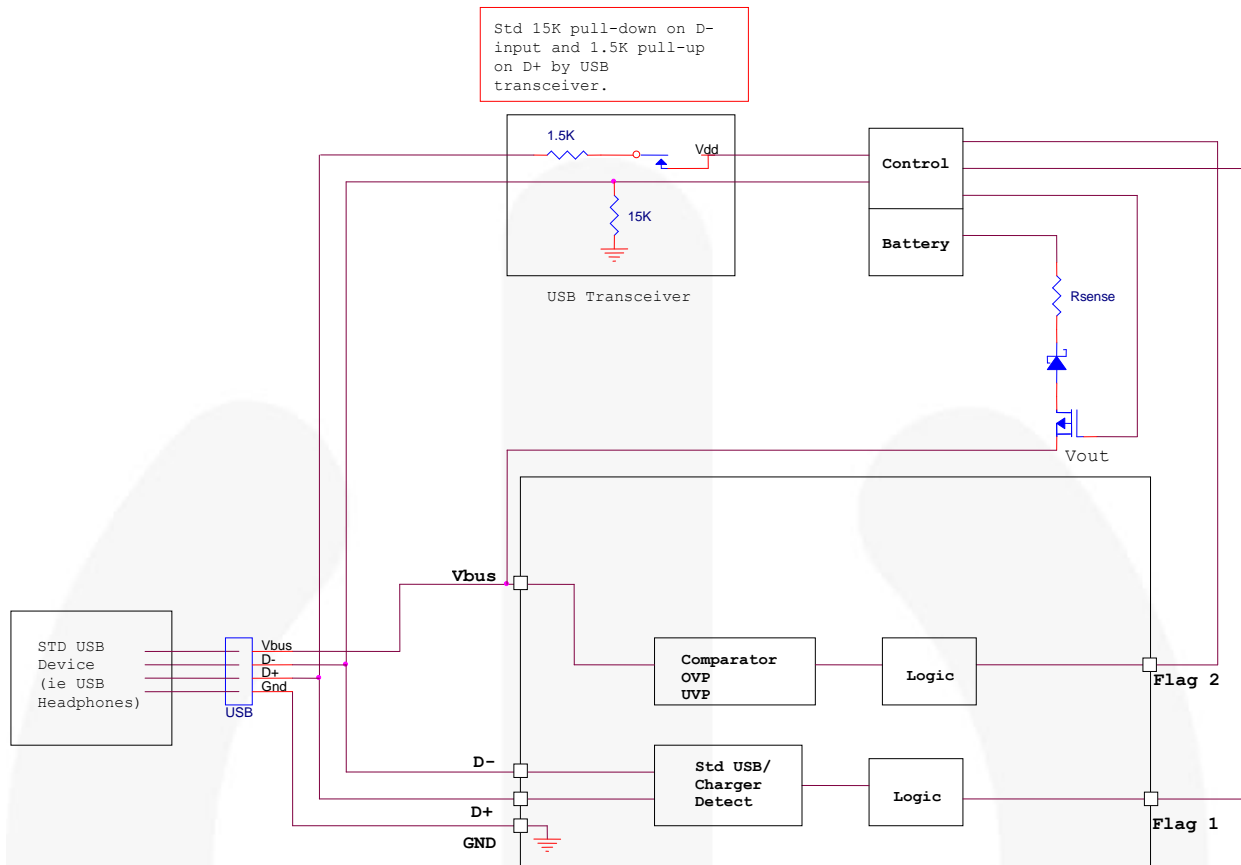


Figure 7. Typical Application System with USB Transceiver

With USB Transceiver (Figure 7)

The FAN3988 sets the FLAG1 pin to logic HIGH or LOW as an indicator to the system controller that a standard USB device or a charger is connected to the USB port. The FAN3988 also monitors the V_{BUS} for over- or under-voltage conditions. The FLAG2 pin is set LOW if V_{BUS} is less than 3.3 V or greater than 6.0 V.

In a standard USB configuration, there is a switch in the USB transceiver that is always ON in the full-speed mode. It is ON during the transition from full-speed mode to high-speed mode and is turned off after enumeration is complete.

In a condition where D+ and D- are shorted when a charger is plugged into the USB port, the USB switch is ON and pulled to V_{DD} , which is about 3.3 V, making both D+ and D- HIGH and flag1 set HIGH – indicating that a charging device is connected to the port.

In a condition where D+ and D- are connected to a standard USB device, the D+ is pulled to V_{DD} and D- is set LOW (due to the 15 k Ω pull-down in the USB transceiver) and flag1 is LOW.

If D+ and D- are open (floating), D+ is pulled to V_{DD} and D- floats LOW, which makes flag1 LOW.

Without USB Transceiver (Figure 8)

The FAN3988 sets the FLAG1 pin to logic HIGH or LOW as an indicator to the system controller that a standard USB device or a charger is connected to the USB port. The FAN3988 also monitors the V_{BUS} for over- or under-voltage conditions. The FLAG2 pin is set LOW if V_{BUS} is less than 3.3 V or greater than 6.0 V.

In a condition where a USB transceiver is not incorporated or there is a switch between the USB port and the FAN3988, external resistors must be used to set the correct input logic states on the D+ D- inputs. A 5 M Ω pull-down on the D- line and a 1 M Ω pull-up on the D+ line are recommended.

When a condition exists where a charger is plugged into the USB port (D+ D- shorted), the voltage divider of 1 M Ω and 5 M Ω puts a voltage of 2.75 V on the D+ D- inputs and flag1 is HIGH, indicating a charger is connected to port.

In a condition where the USB port is connected to a standard USB device, the D+ input is pulled up to V_{DD} (system supply) in parallel with the 1.5 k Ω on a USB transceiver with a parallel R value of 1.497 k Ω . The D- input is connected to a 15 k Ω pull-down by the USB device and in parallel with 5 M Ω with a parallel R value of 14.955 k Ω . This condition makes flag1 LOW.

If D+ and D- are open (floating), D+ is pulled to V_{DD} (system supply) and D- floats LOW, which makes flag1 LOW.

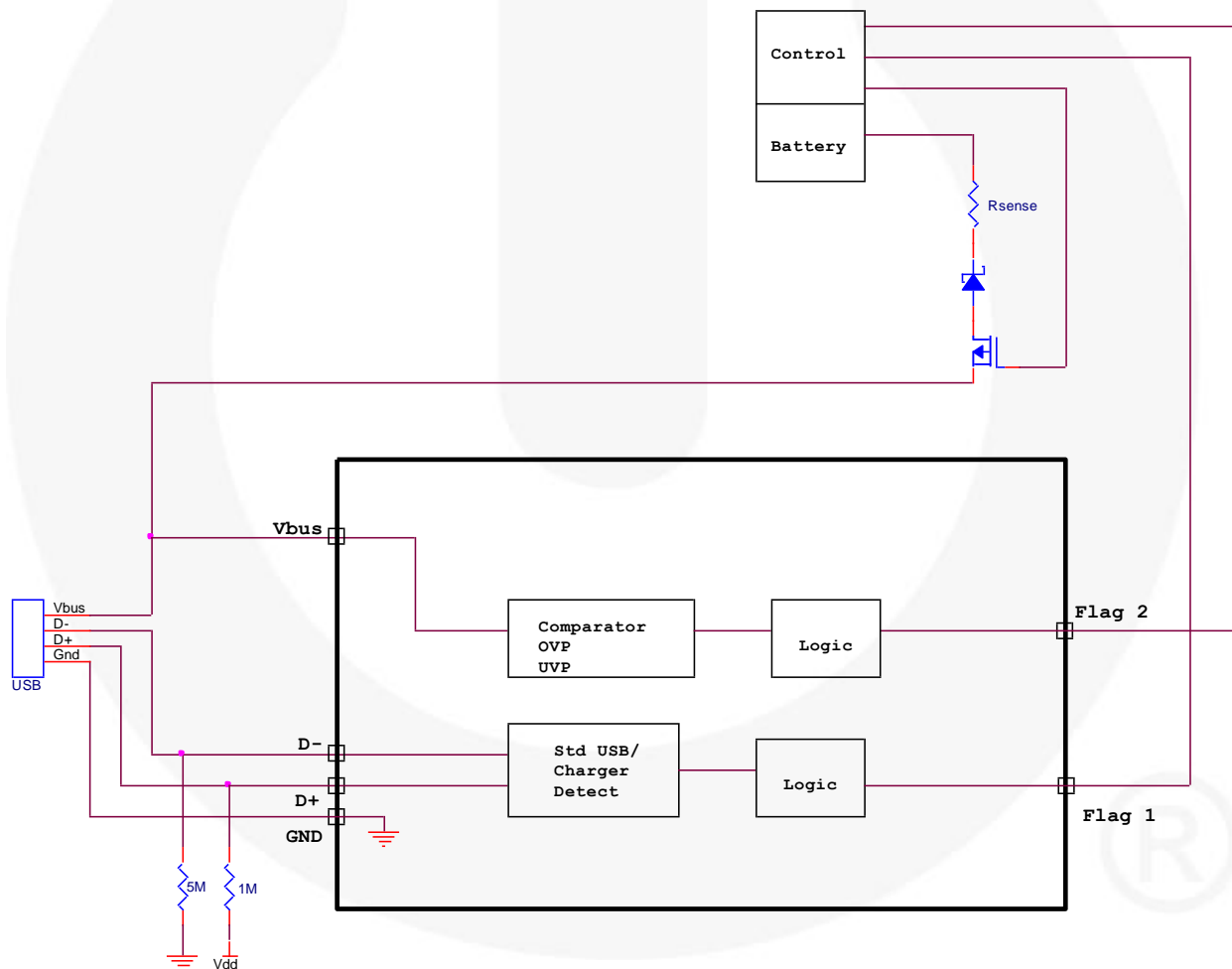
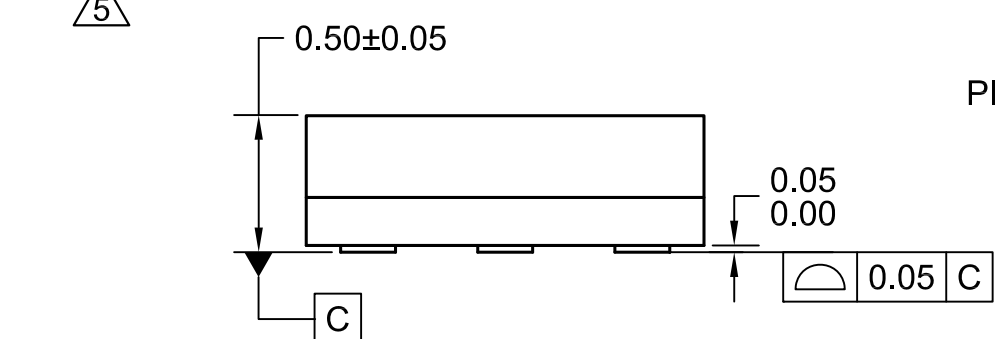
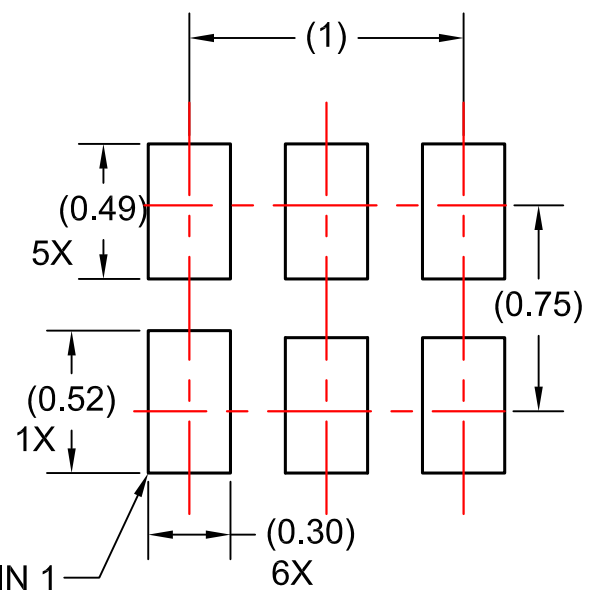
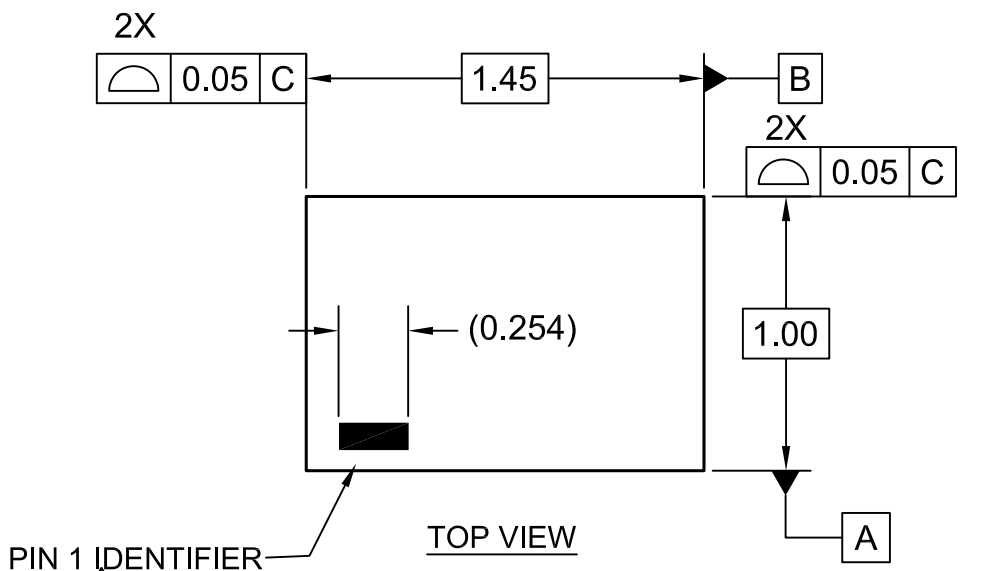
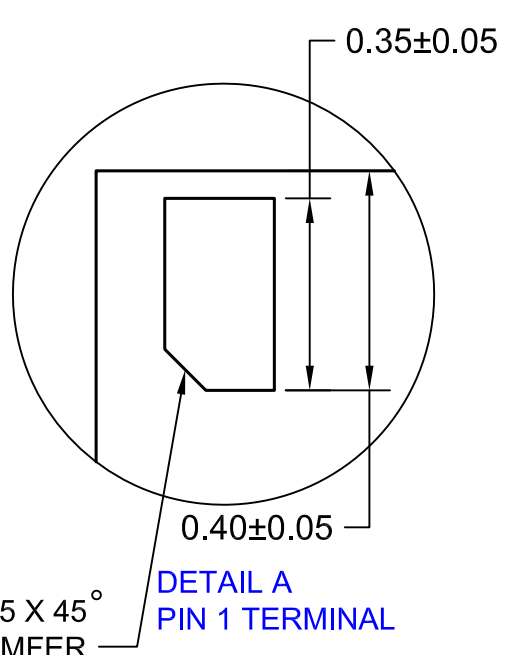
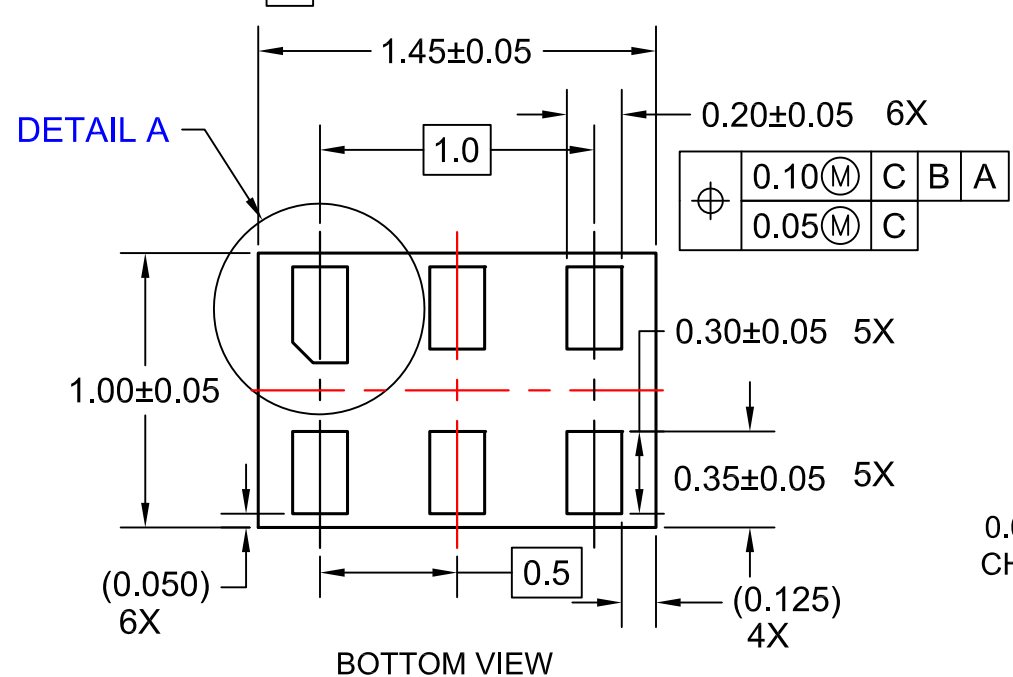


Figure 8. Typical System Application without USB Transceiver



RECOMMENDED
LAND PATTERN



NOTES:

1. CONFORMS TO JEDEC STANDARD MO-252 VARIATION UAAD
2. DIMENSIONS ARE IN MILLIMETERS
3. DRAWING CONFORMS TO ASME Y14.5M-2009
4. LANDPATTERN RECOMMENDATION PER FSC
5. PIN ONE IDENTIFIER IS 2X LENGTH OF ANY OTHER LINE IN THE MARK CODE LAYOUT.
6. FILENAME AND REVISION: MAC06AREV6



ON Semiconductor and  are trademarks of Semiconductor Components Industries, LLC dba ON Semiconductor or its subsidiaries in the United States and/or other countries. ON Semiconductor owns the rights to a number of patents, trademarks, copyrights, trade secrets, and other intellectual property. A listing of ON Semiconductor's product/patent coverage may be accessed at www.onsemi.com/site/pdf/Patent-Marking.pdf. ON Semiconductor reserves the right to make changes without further notice to any products herein. ON Semiconductor makes no warranty, representation or guarantee regarding the suitability of its products for any particular purpose, nor does ON Semiconductor assume any liability arising out of the application or use of any product or circuit, and specifically disclaims any and all liability, including without limitation special, consequential or incidental damages. Buyer is responsible for its products and applications using ON Semiconductor products, including compliance with all laws, regulations and safety requirements or standards, regardless of any support or applications information provided by ON Semiconductor. "Typical" parameters which may be provided in ON Semiconductor data sheets and/or specifications can and do vary in different applications and actual performance may vary over time. All operating parameters, including "Typicals" must be validated for each customer application by customer's technical experts. ON Semiconductor does not convey any license under its patent rights nor the rights of others. ON Semiconductor products are not designed, intended, or authorized for use as a critical component in life support systems or any FDA Class 3 medical devices or medical devices with a same or similar classification in a foreign jurisdiction or any devices intended for implantation in the human body. Should Buyer purchase or use ON Semiconductor products for any such unintended or unauthorized application, Buyer shall indemnify and hold ON Semiconductor and its officers, employees, subsidiaries, affiliates, and distributors harmless against all claims, costs, damages, and expenses, and reasonable attorney fees arising out of, directly or indirectly, any claim of personal injury or death associated with such unintended or unauthorized use, even if such claim alleges that ON Semiconductor was negligent regarding the design or manufacture of the part. ON Semiconductor is an Equal Opportunity/Affirmative Action Employer. This literature is subject to all applicable copyright laws and is not for resale in any manner.

PUBLICATION ORDERING INFORMATION

LITERATURE FULFILLMENT:

Literature Distribution Center for ON Semiconductor
19521 E. 32nd Pkwy, Aurora, Colorado 80011 USA
Phone: 303-675-2175 or 800-344-3860 Toll Free USA/Canada
Fax: 303-675-2176 or 800-344-3867 Toll Free USA/Canada
Email: orderlit@onsemi.com

N. American Technical Support: 800-282-9855 Toll Free
USA/Canada
Europe, Middle East and Africa Technical Support:
Phone: 421 33 790 2910
Japan Customer Focus Center
Phone: 81-3-5817-1050

ON Semiconductor Website: www.onsemi.com
Order Literature: <http://www.onsemi.com/orderlit>
For additional information, please contact your local
Sales Representative

Mouser Electronics

Authorized Distributor

Click to View Pricing, Inventory, Delivery & Lifecycle Information:

[ON Semiconductor:](#)

[FAN3988IL6X_F113](#)

Данный компонент на территории Российской Федерации

Вы можете приобрести в компании MosChip.

Для оперативного оформления запроса Вам необходимо перейти по данной ссылке:

<http://moschip.ru/get-element>

Вы можете разместить у нас заказ для любого Вашего проекта, будь то серийное производство или разработка единичного прибора.

В нашем ассортименте представлены ведущие мировые производители активных и пассивных электронных компонентов.

Нашей специализацией является поставка электронной компонентной базы двойного назначения, продукции таких производителей как XILINX, Intel (ex.ALTERA), Vicor, Microchip, Texas Instruments, Analog Devices, Mini-Circuits, Amphenol, Glenair.

Сотрудничество с глобальными дистрибьюторами электронных компонентов, предоставляет возможность заказывать и получать с международных складов практически любой перечень компонентов в оптимальные для Вас сроки.

На всех этапах разработки и производства наши партнеры могут получить квалифицированную поддержку опытных инженеров.

Система менеджмента качества компании отвечает требованиям в соответствии с ГОСТ Р ИСО 9001, ГОСТ РВ 0015-002 и ЭС РД 009

Офис по работе с юридическими лицами:

105318, г.Москва, ул.Щербаковская д.3, офис 1107, 1118, ДЦ «Щербаковский»

Телефон: +7 495 668-12-70 (многоканальный)

Факс: +7 495 668-12-70 (доб.304)

E-mail: info@moschip.ru

Skype отдела продаж:

moschip.ru

moschip.ru_4

moschip.ru_6

moschip.ru_9