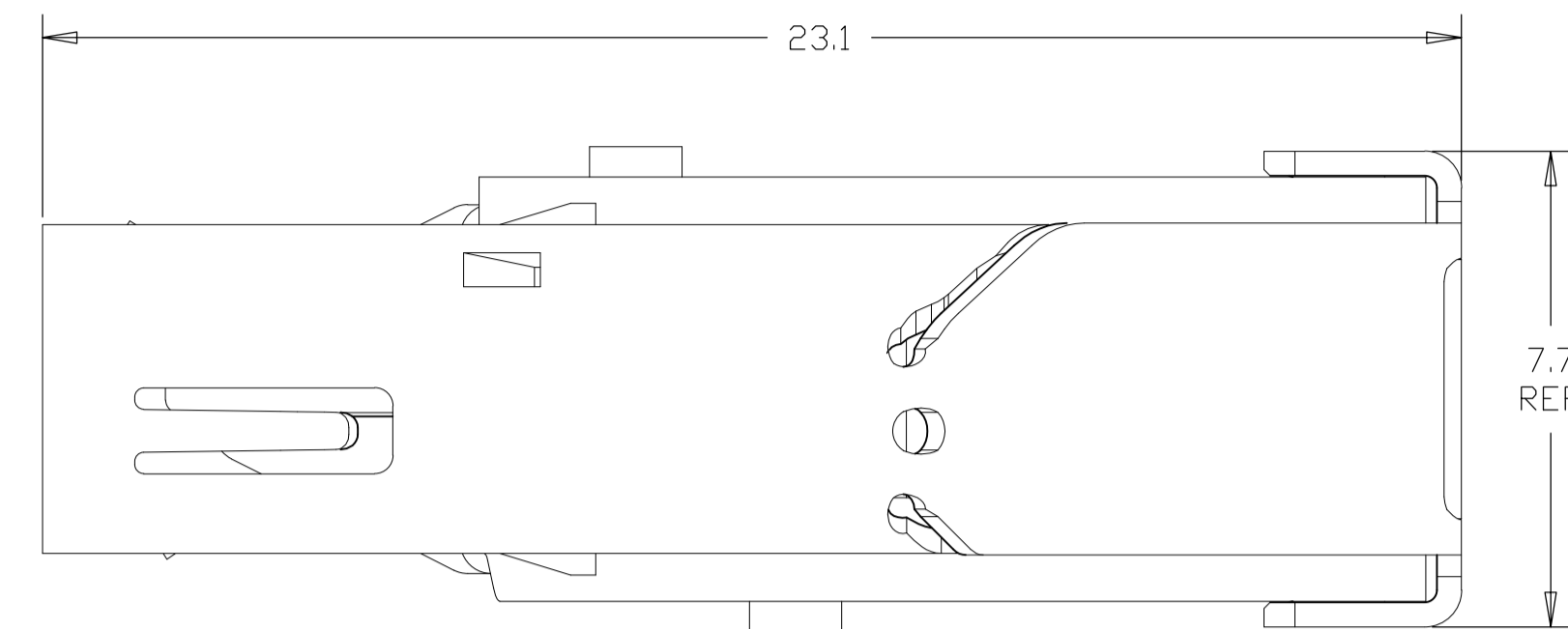
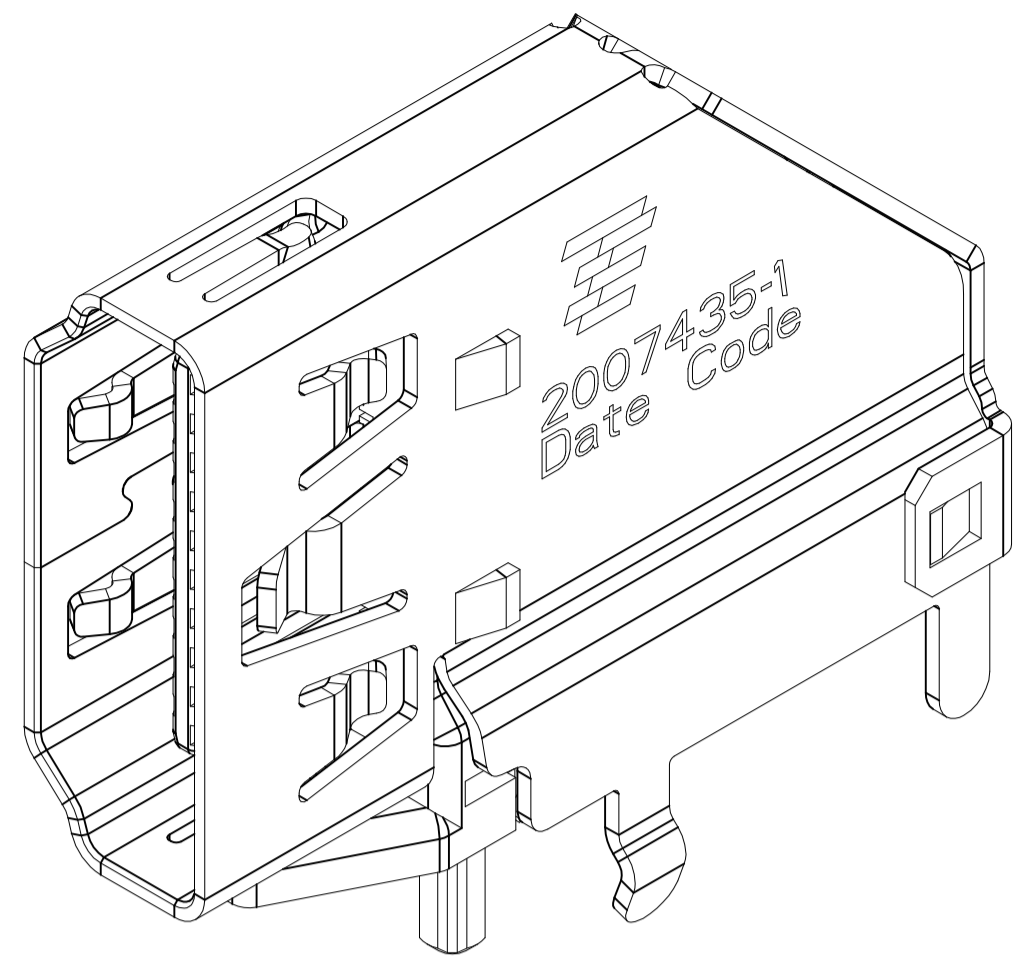
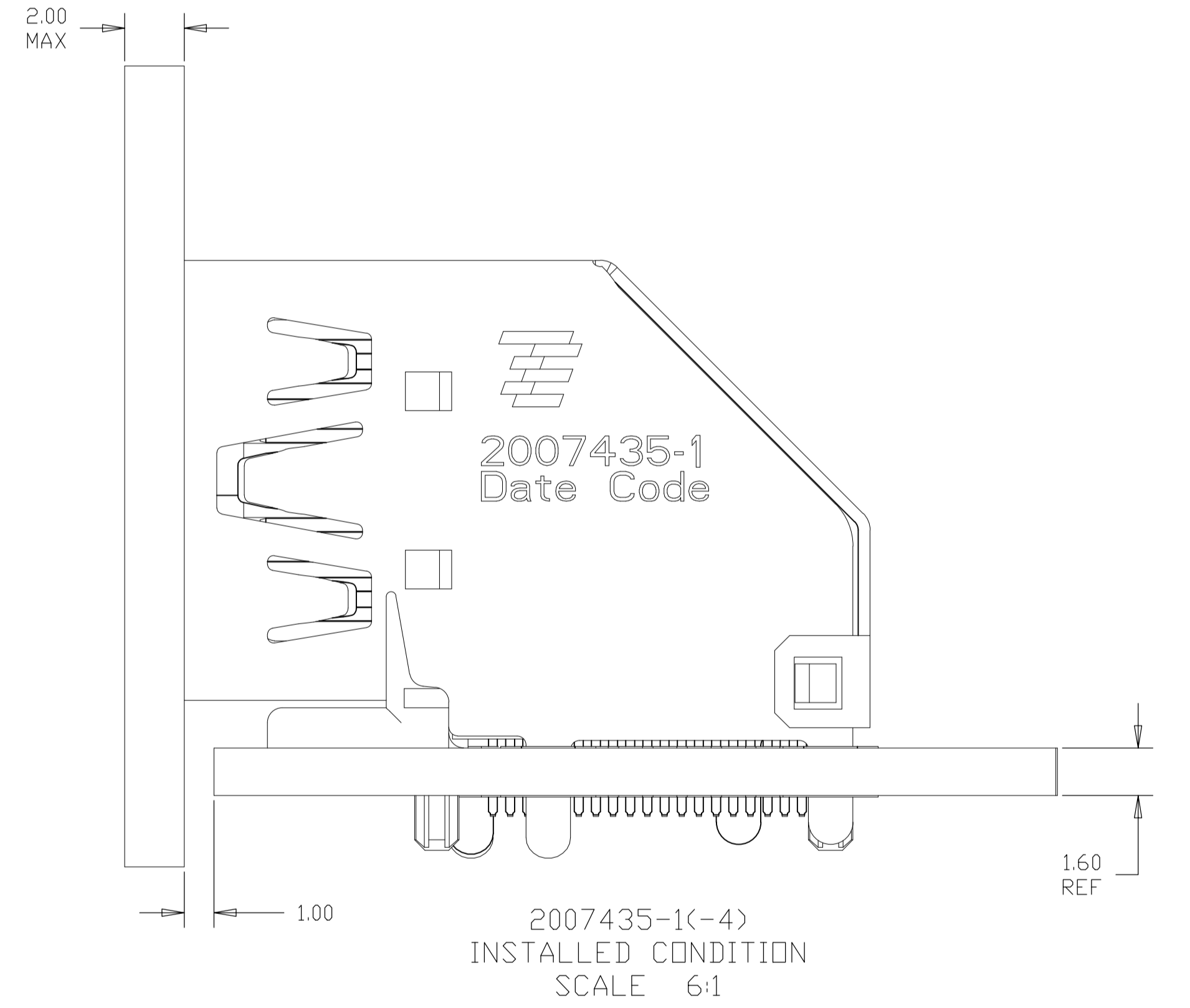
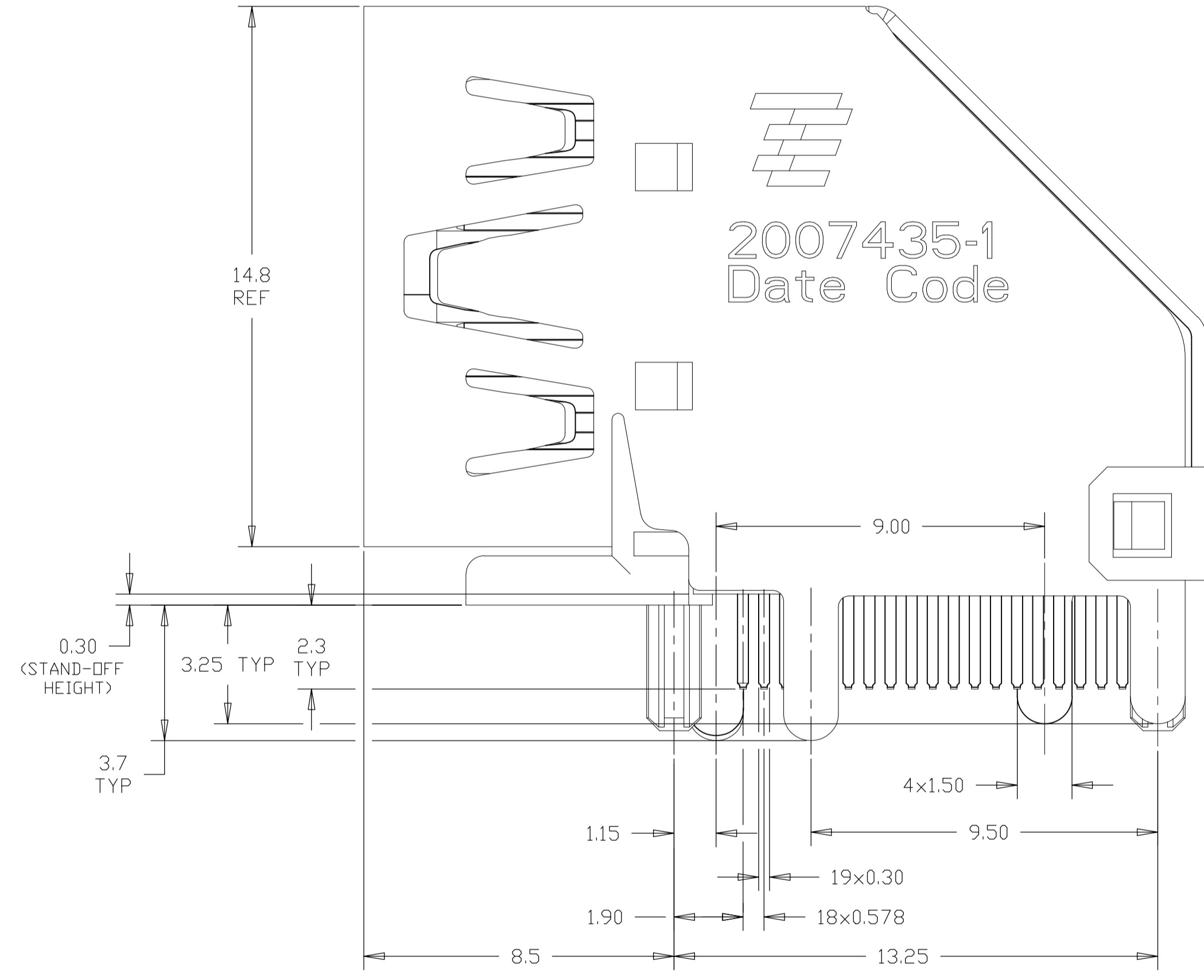
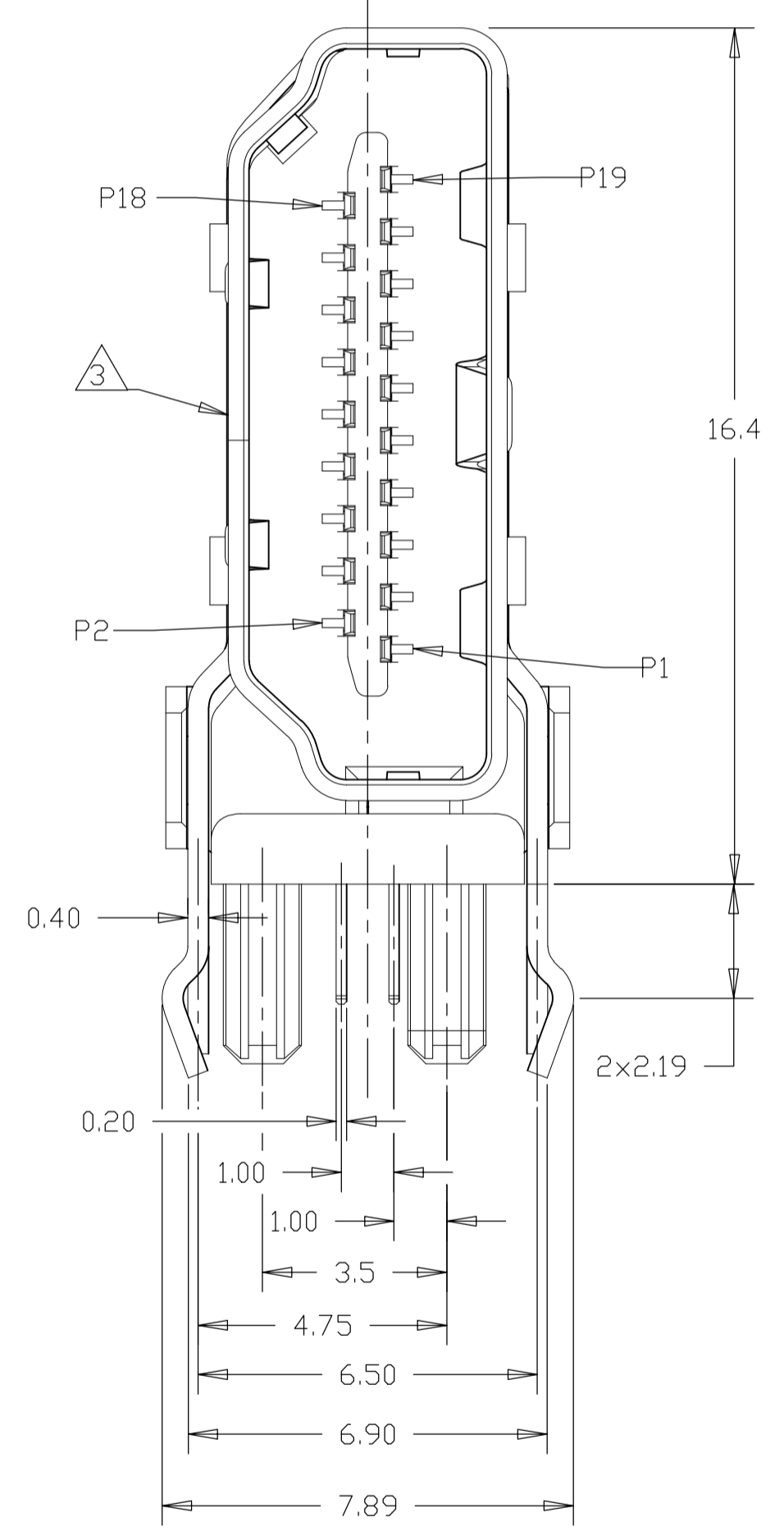


REVISONS		DATE	DMN	APVD
P	LTR	DESCRIPTION		
C		RELEASE PER ECR-10-024107	8/31/2010	FL SY
C1		RELEASE PER ECR-11-016951	7/20/2011	JJ SY
D2		RELEASED PER ECR-16-011711	4/10/2017	AX HW



- 1 MATERIALS:**
 HOUSING: HIGH TEMP THERMOPLASTIC, UL94V-0, BLACK, PBT.
 CONTACTS: COPPER ALLOY.
 SHIELD: STAINLESS STEEL.
- 2 FINISH:**
 CONTACTS:
 MATING AREA: CONFORMS TO HDMI SPECIFICATION VERSION 1.3a TABLE 4-6 AND 4-7 (ELECTRICAL AND ENVIRONMENTAL PERFORMANCE), BASED ON EIA/ECA - 364-1000.01A (CONTROLLED ENVIRONMENT APPLICATIONS).
 SOLDER TAILS: TIN OVER NICKEL.
- 3 INTERFACE DIMENSIONS PER HDMI SPECIFICATION VERSION 1.3a.**
- 4 WAVE SOLDER COMPATIBLE PER 109-202. CONDITION B. NO CLEAN FLUX IS RECOMMENDED.**
- 5 THIS DIMENSION HAS AN ADDITIONAL 1.0 CLEARANCE OVER HDMI V1.3a SPECIFICATION MAXIMUM CABLE TYPE A PLUG HEIGHT.**
- 6 REMOVE CAP IS RECOMMENDED AFTER WAVE SOLDER.**
- 7 MATERIALS:**
 HOUSING: HIGH TEMP THERMOPLASTIC, UL94V-0, BLACK, LCP.
 CONTACTS: COPPER ALLOY.
 SHIELD: STAINLESS STEEL.
- 8 STAND-OFF AREA.**

2007435-1(-4)
 SCALE 6:1



EMBOSS TAPE	WITHOUT POLYIMIDE TAPE	WITHOUT KINK AND WITH CAP	0.38 μm	△	2.00	2007435-7
EMBOSS TAPE	WITH POLYIMIDE TAPE	WITHOUT KINK AND WITHOUT CAP	0.38 μm	△	2.00	2007435-6
TRAY	WITHOUT POLYIMIDE TAPE	WITH KINK AND WITH CAP	0.38 μm	△	1.60	2007435-5
		WITH KINK AND WITHOUT CAP	0.76 μm	△	1.60	2007435-4
		WITHOUT KINK AND WITH CAP	0.38 μm	△	1.60	2007435-3
		WITHOUT KINK AND WITHOUT CAP	0.38 μm	△	2.40	2007435-2
TRAY	WITHOUT POLYIMIDE TAPE	WITH KINK AND WITHOUT CAP	0.38 μm	△	1.60	2007435-1
PACKAGE	REMARK	GOLD PLATING ON CONTACT AREA	MATERIAL	PCB THICKNESS	PART NO.	

THIS DRAWING IS A CONTROLLED DOCUMENT.

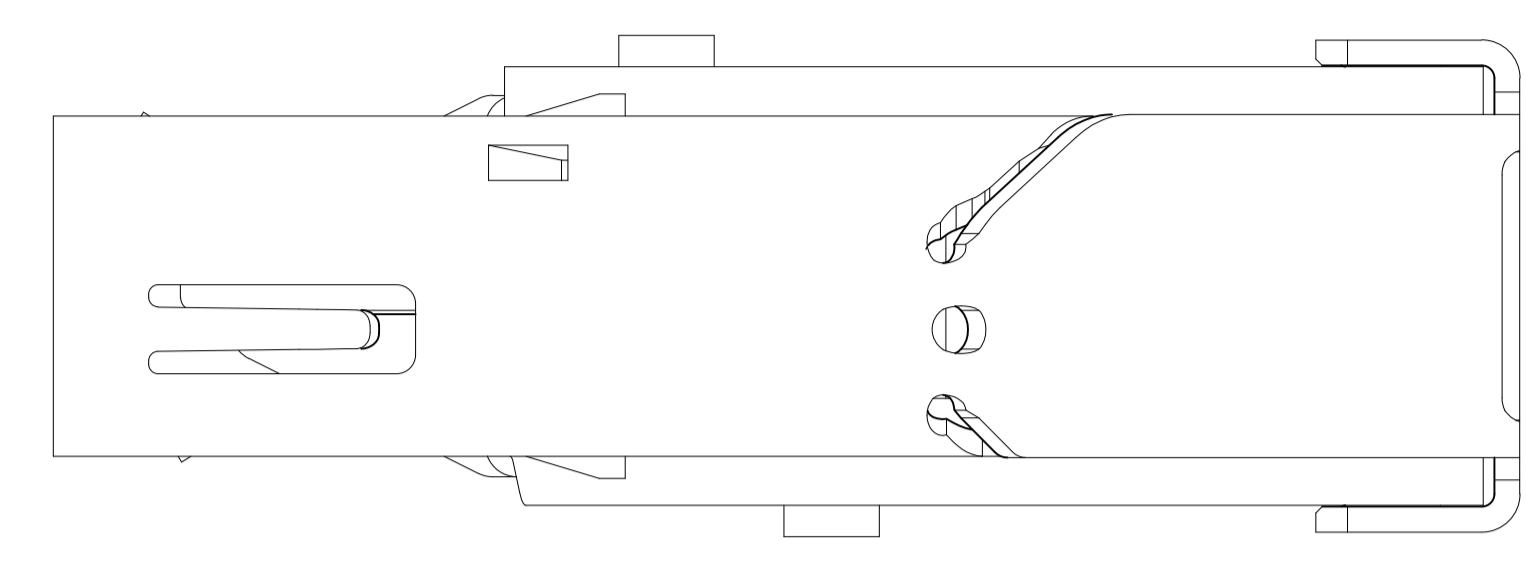
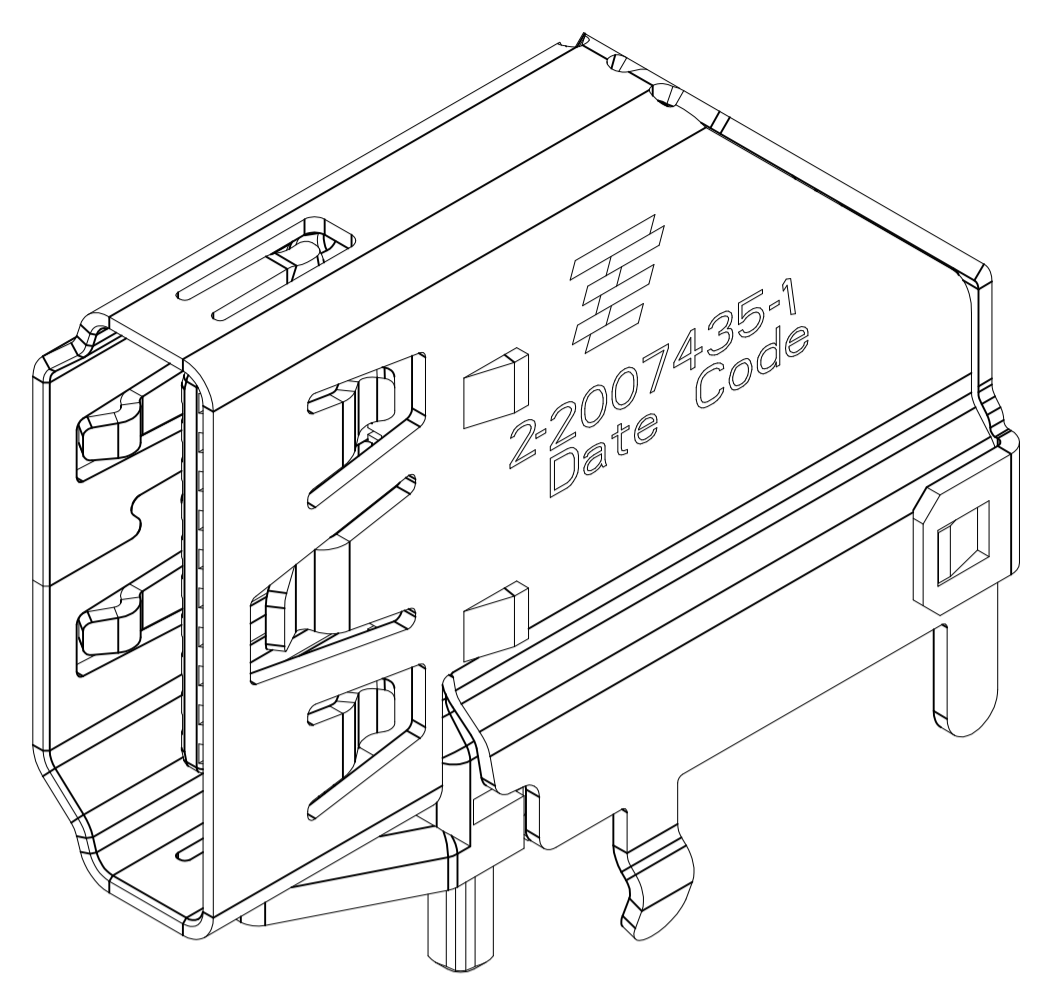
DMN: Francis Lee 31AUG2010
 CHK: Martin Li 31AUG2010
 APVD: Steven Yao 31AUG2010

NAME: STE TE Connectivity
 PRODUCT SPEC: 108-60079
 APPLICATION SPEC: -

SIZE: A1
 CAGE CODE: 00779
 DRAWING NO: C=2007435
 WEIGHT: -

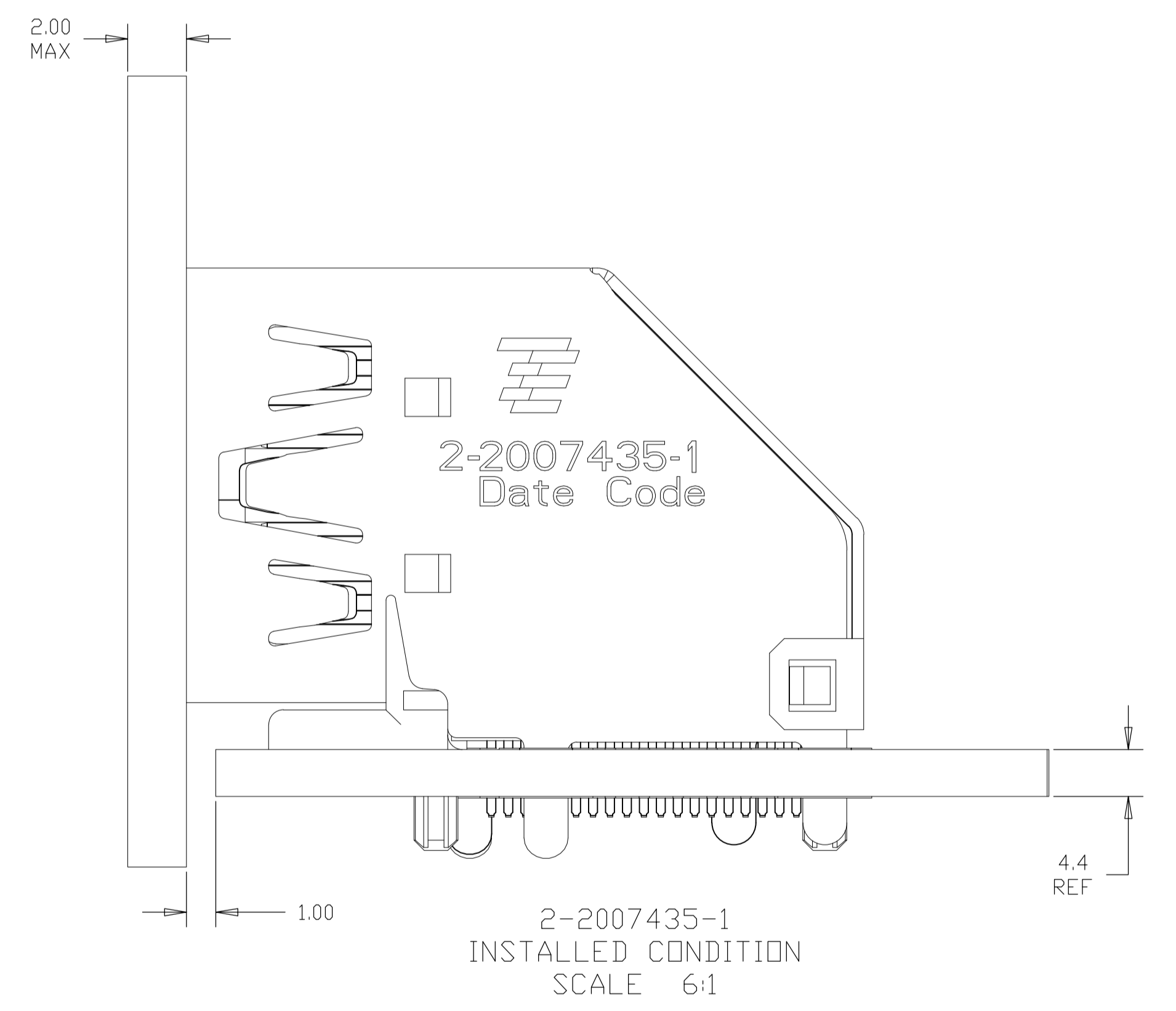
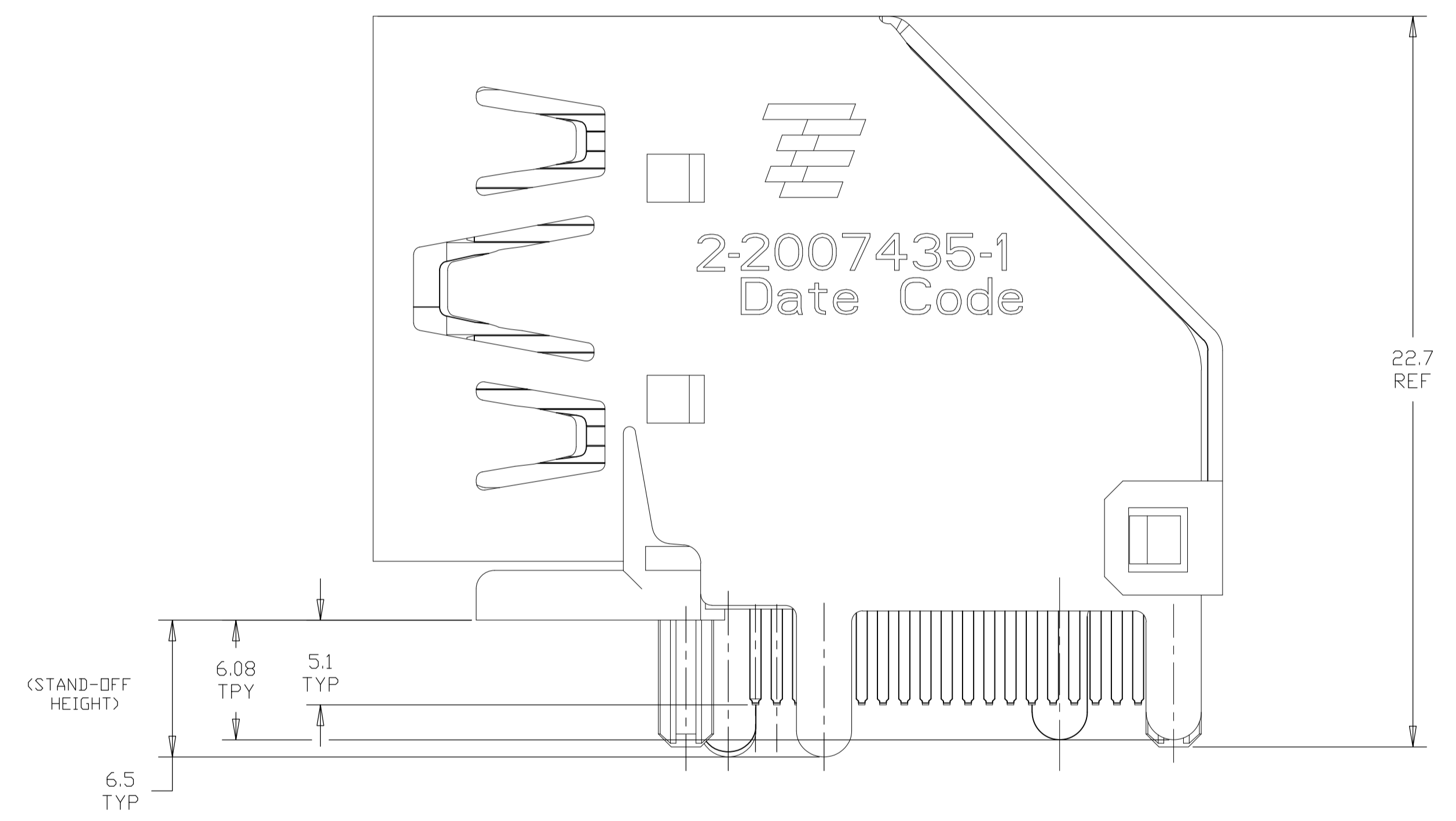
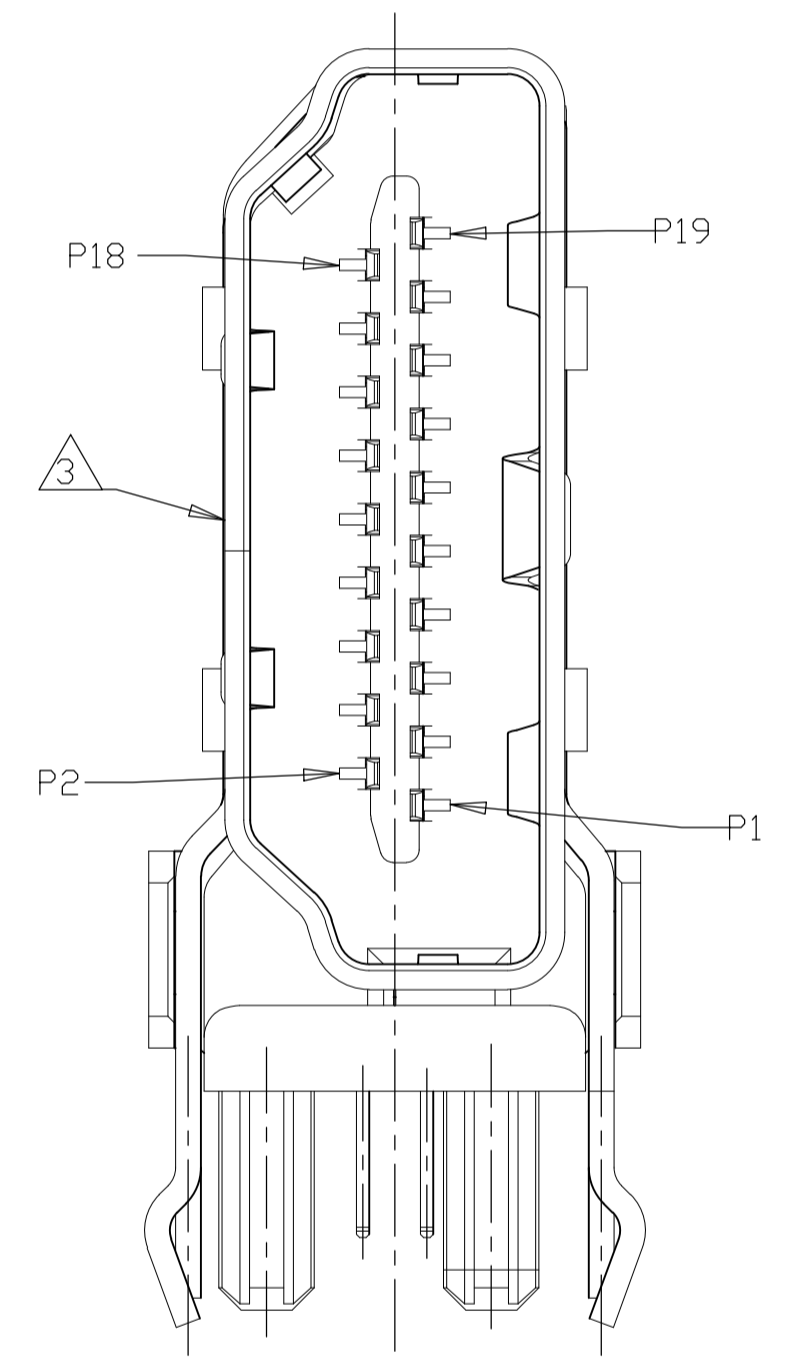
CUSTOMER DRAWING
 SCALE: 8:1
 SHEET: 1 of 10
 REV: D2

REVISONS		DATE	OWN	APPD
LOC	DIST	DESCRIPTION		
-	-	SEE SHEET 1	-	-

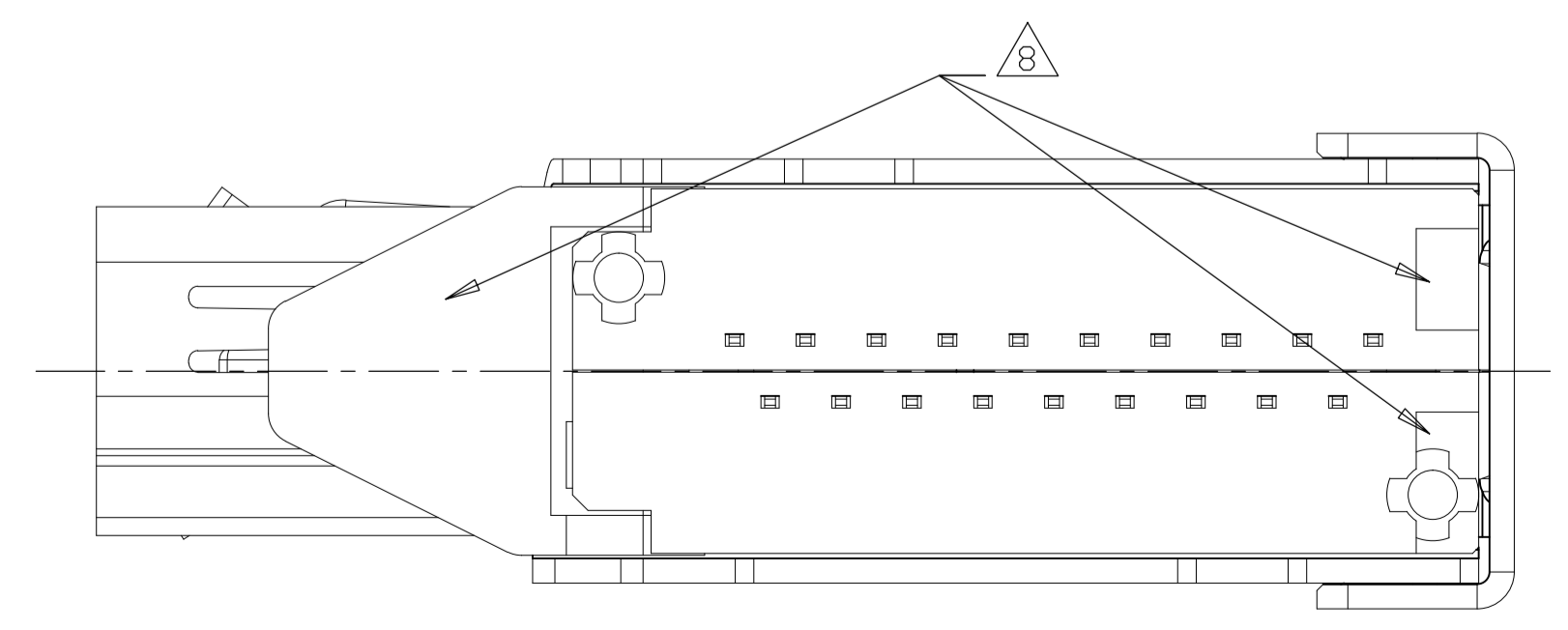


2-2007435-1 WITHOUT BOARD LOCK,
 UNMARKED DIMENSIONS SAME AS 2007435-1
 SCALE 6:1

- 1 MATERIALS:
 HOUSING: HIGH TEMP THERMOPLASTIC, UL94V-0, BLACK, PBT.
 CONTACTS: COPPER ALLOY.
 SHIELD: STAINLESS STEEL.
- 2 FINISH:
 CONTACTS:
 MATING AREA: CONFORMS TO HDMI SPECIFICATION VERSION 1.3a
 TABLE 4-6 AND 4-7 (ELECTRICAL AND ENVIRONMENTAL
 PERFORMANCE), BASED ON EIA/ECA - 364-1000.01A
 (CONTROLLED ENVIRONMENT APPLICATIONS).
 SOLDER TAILS: TIN OVER NICKEL.
- 3 INTERFACE DIMENSIONS PER HDMI SPECIFICATION VERSION 1.3a.
- 4 WAVE SOLDER COMPATIBLE PER 109-202. CONDITION B.
 NO CLEAN FLUX IS RECOMMENDED.
- 5 THIS DIMENSION HAS AN ADDITIONAL 1.0 CLEARANCE OVER
 HDMI V1.3a SPECIFICATION MAXIMUM CABLE TYPE A PLUG HEIGHT.
- 6 REMOVE CAP IS RECOMMENDED AFTER WAVE SOLDER.
- 7 MATERIALS:
 HOUSING: HIGH TEMP THERMOPLASTIC, UL94V-0, BLACK, LCP.
 CONTACTS: COPPER ALLOY.
 SHIELD: STAINLESS STEEL.
- 8 STAND-OFF AREA.

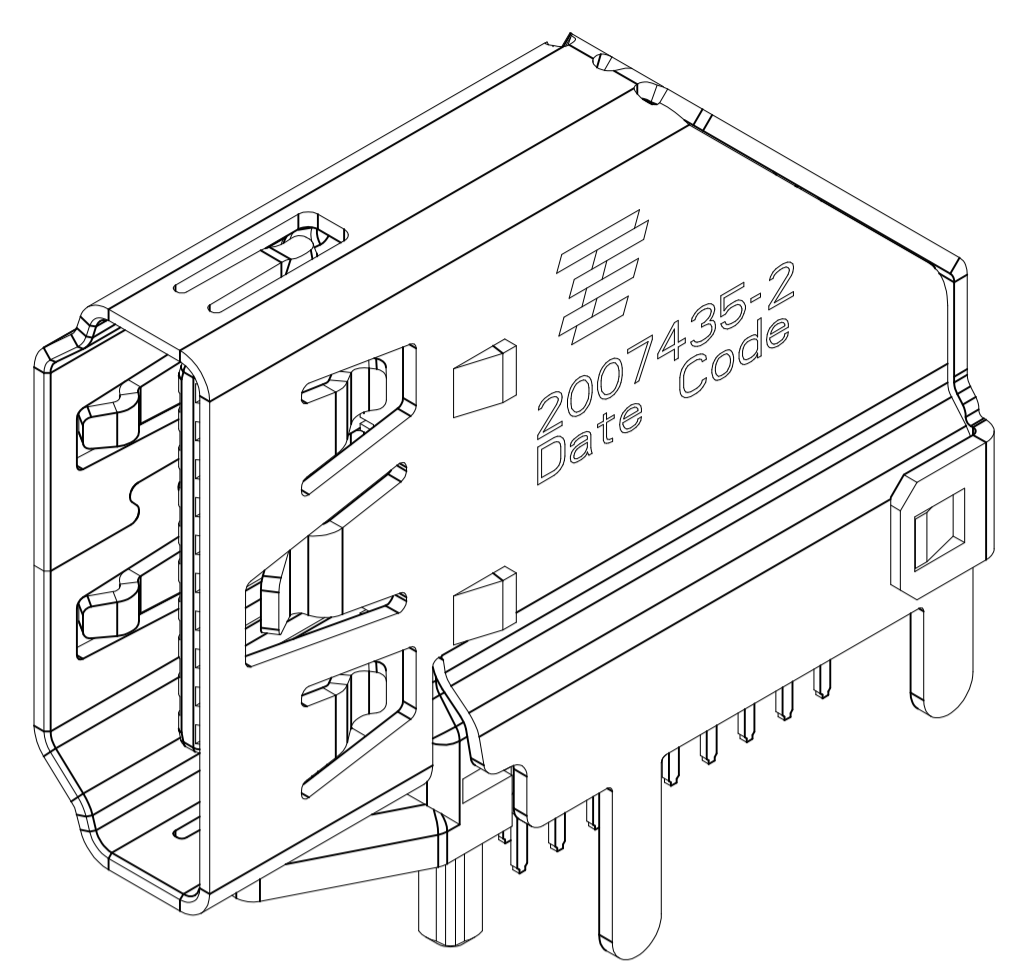


DESIGN APPROVED THIS PRINT IS
PRELIMINARY
 TO FIRST PIECE APPROVAL
 CONTACT PRODUCT ENGINEERING
 BEFORE USING THIS PRINT

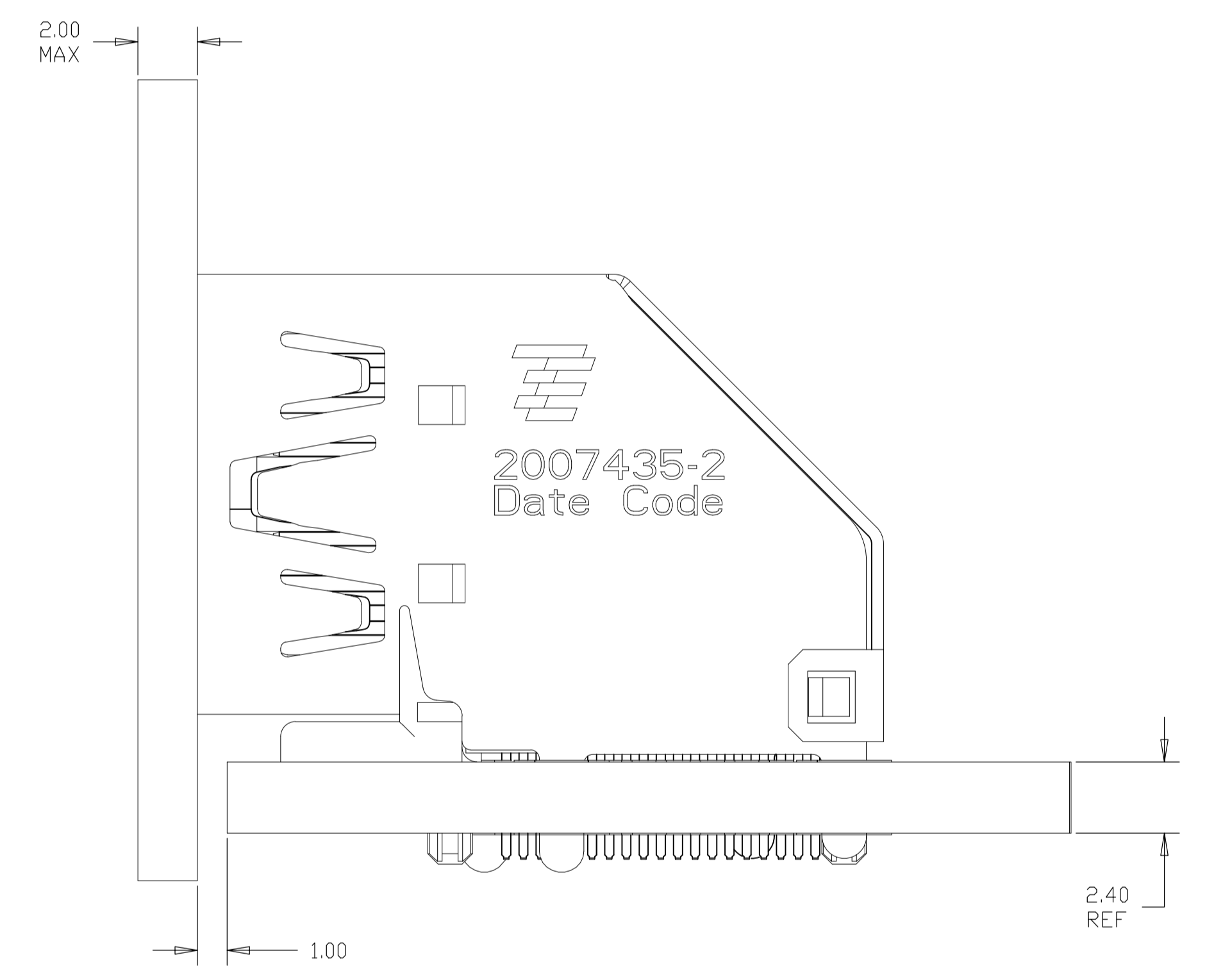
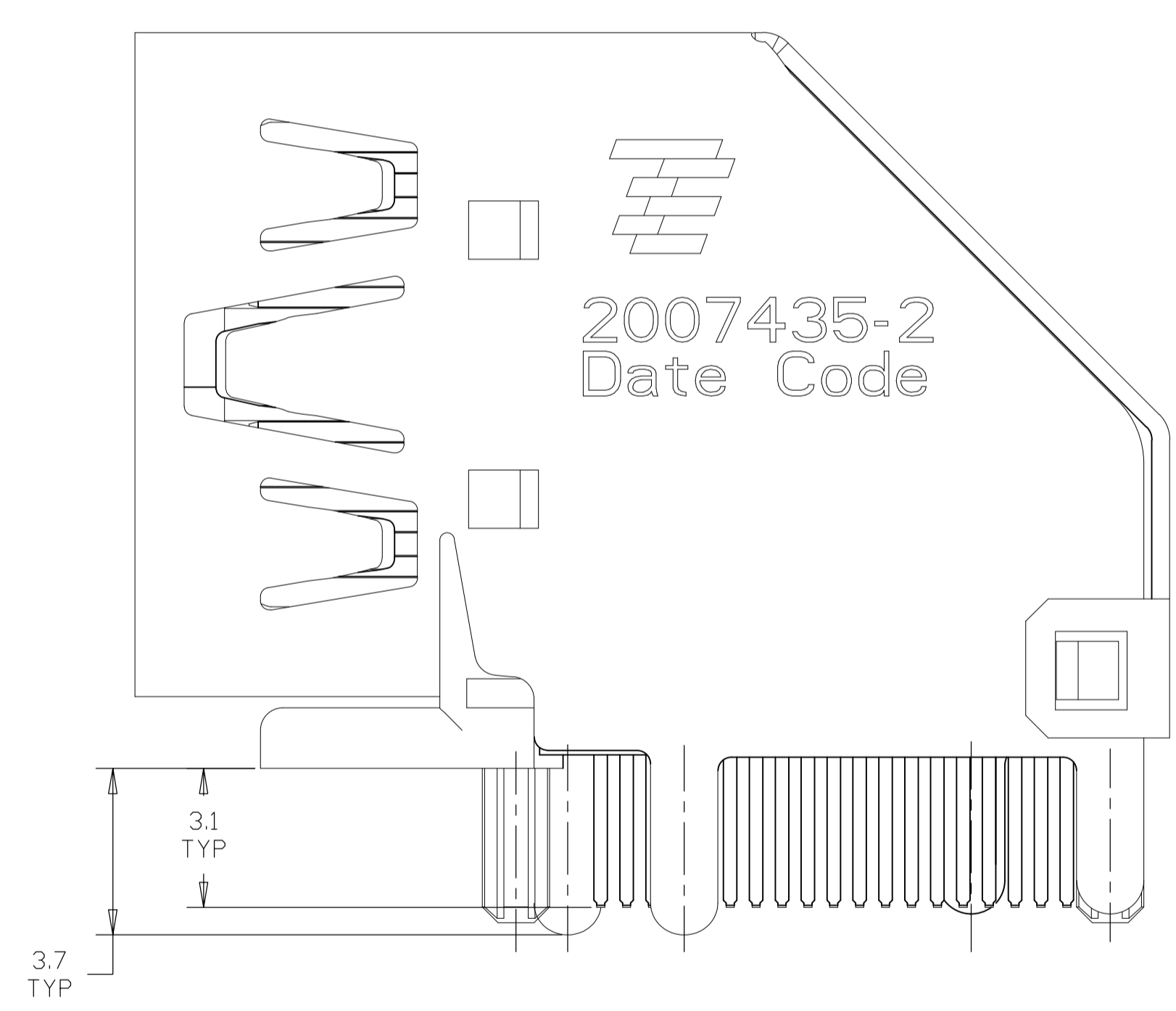
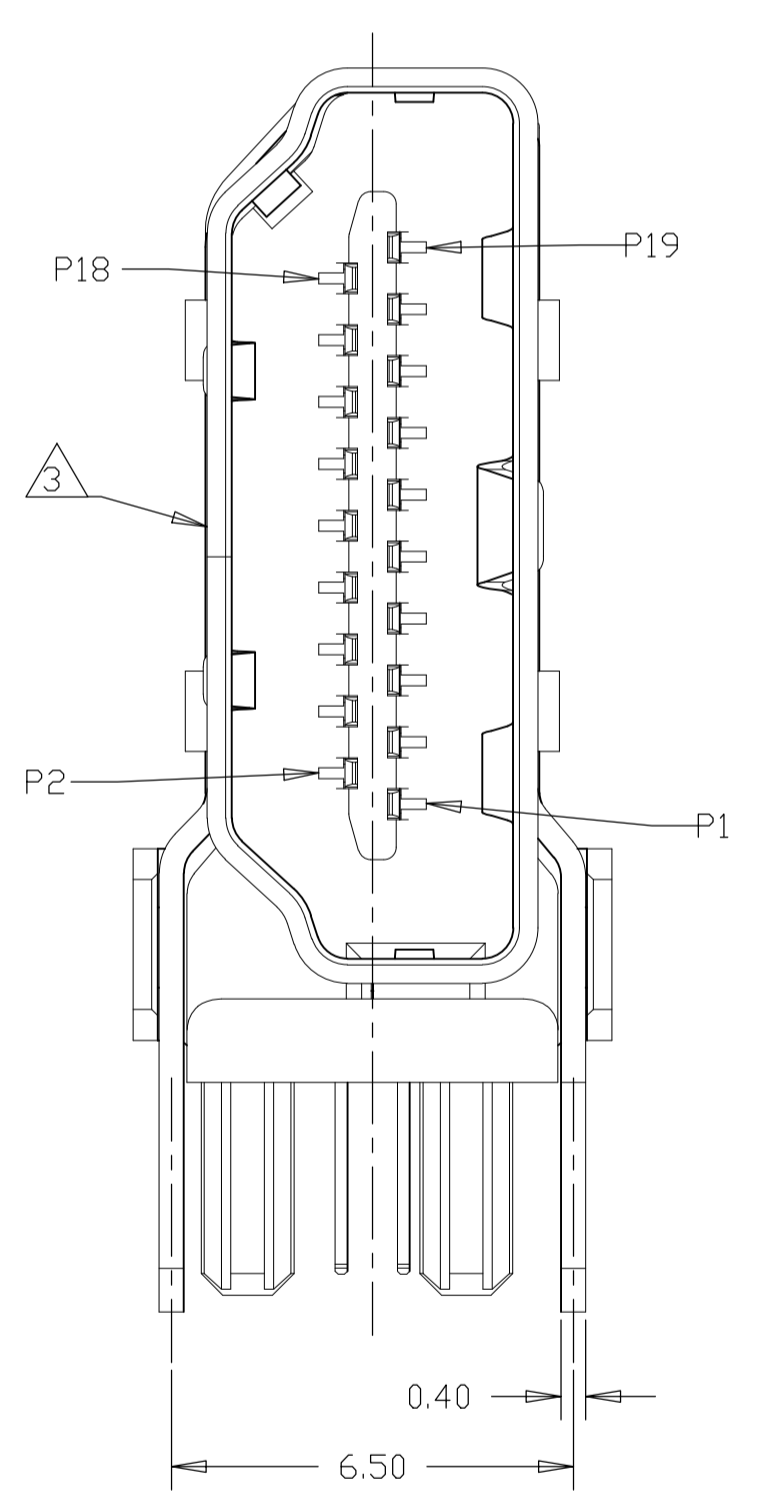
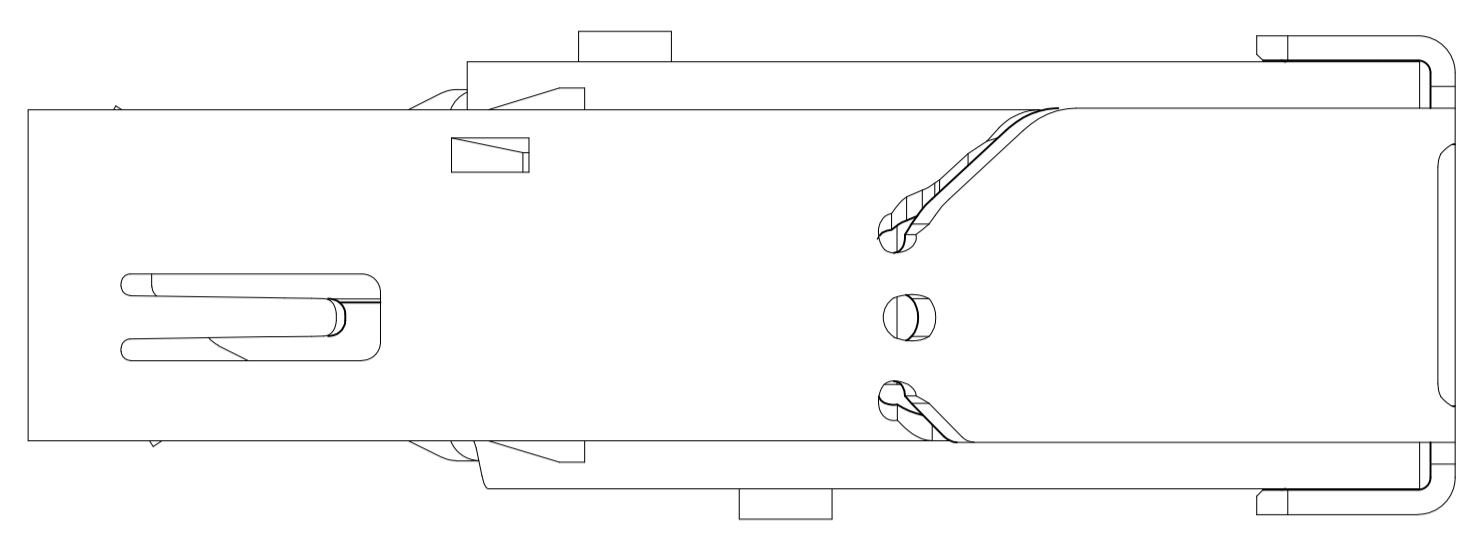


TRAY	WITHOUT POLYIMIDE TAPE	WITH KINK AND WITHOUT CAP	0.38 μ m	4.40	2-2007435-1
PACKAGE	REMARK		GOLD PLATING ON CONTACT AREA	MATERIAL	PCB THICKNESS
THIS DRAWING IS A CONTROLLED DOCUMENT.			DWN Francis Lee 31AUG2010	TE Connectivity	
DIMENSIONS: mm			CHK Martin Li 31AUG2010	HDMI FLAG CONNECTOR ASSEMBLY	
TOLERANCES UNLESS OTHERWISE SPECIFIED:			APPD Steven Yao 31AUG2010	108-60079	
0 PLC \pm -			APPLICATION SPEC		
1 PLC \pm 0.3			SIZE CAGE CODE DRAWING NO		
2 PLC \pm 0.25			A1 00779 2007435		
3 PLC \pm 0.100			RESTRICTED TO		
4 PLC \pm 0.1000			CUSTOMER DRAWING		
ANGLES \pm 5			SCALE 8:1 SHEET 2 OF 10 REV D2		

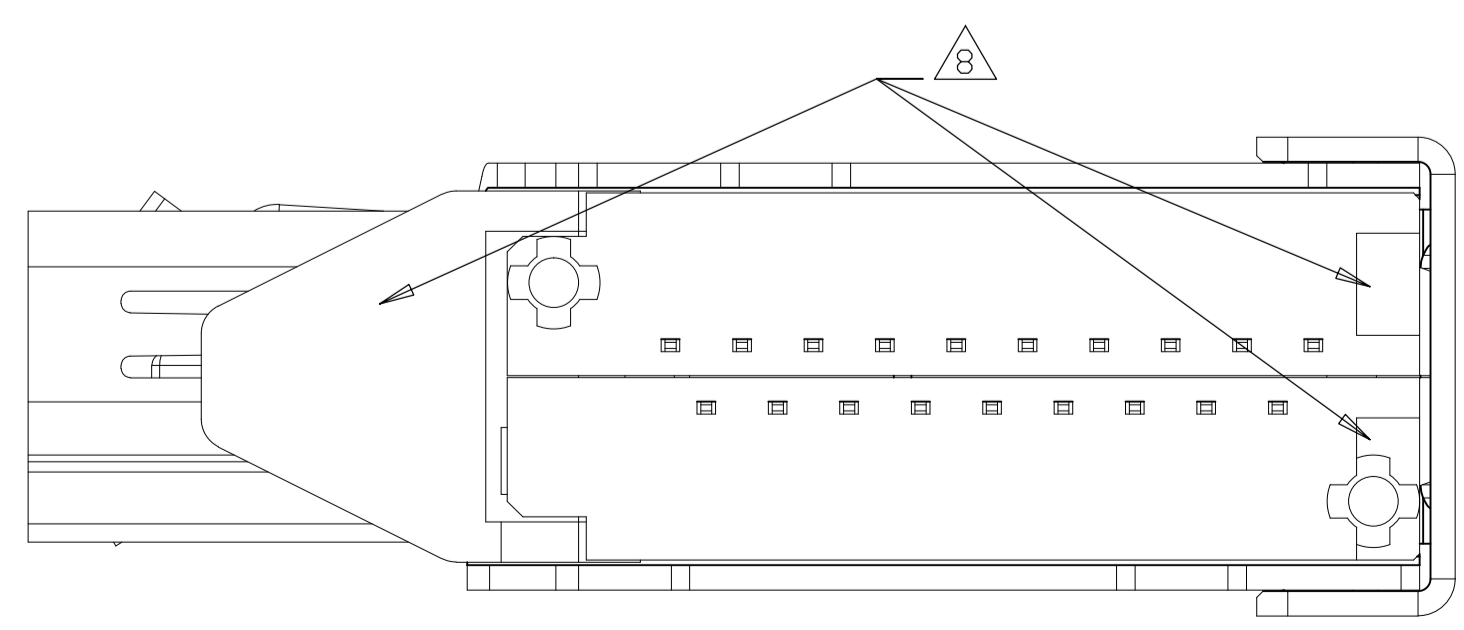
LOC		DIST		REVISIONS			
P	LTR	DESCRIPTION	DATE	DNW	APVD		
-	-	SEE SHEET 1	-	-	-	-	-



2007435-2 WITHOUT BOARD LOCK,
 UNMARKED DIMENSIONS SAME AS 2007435-1
 SCALE 6:1

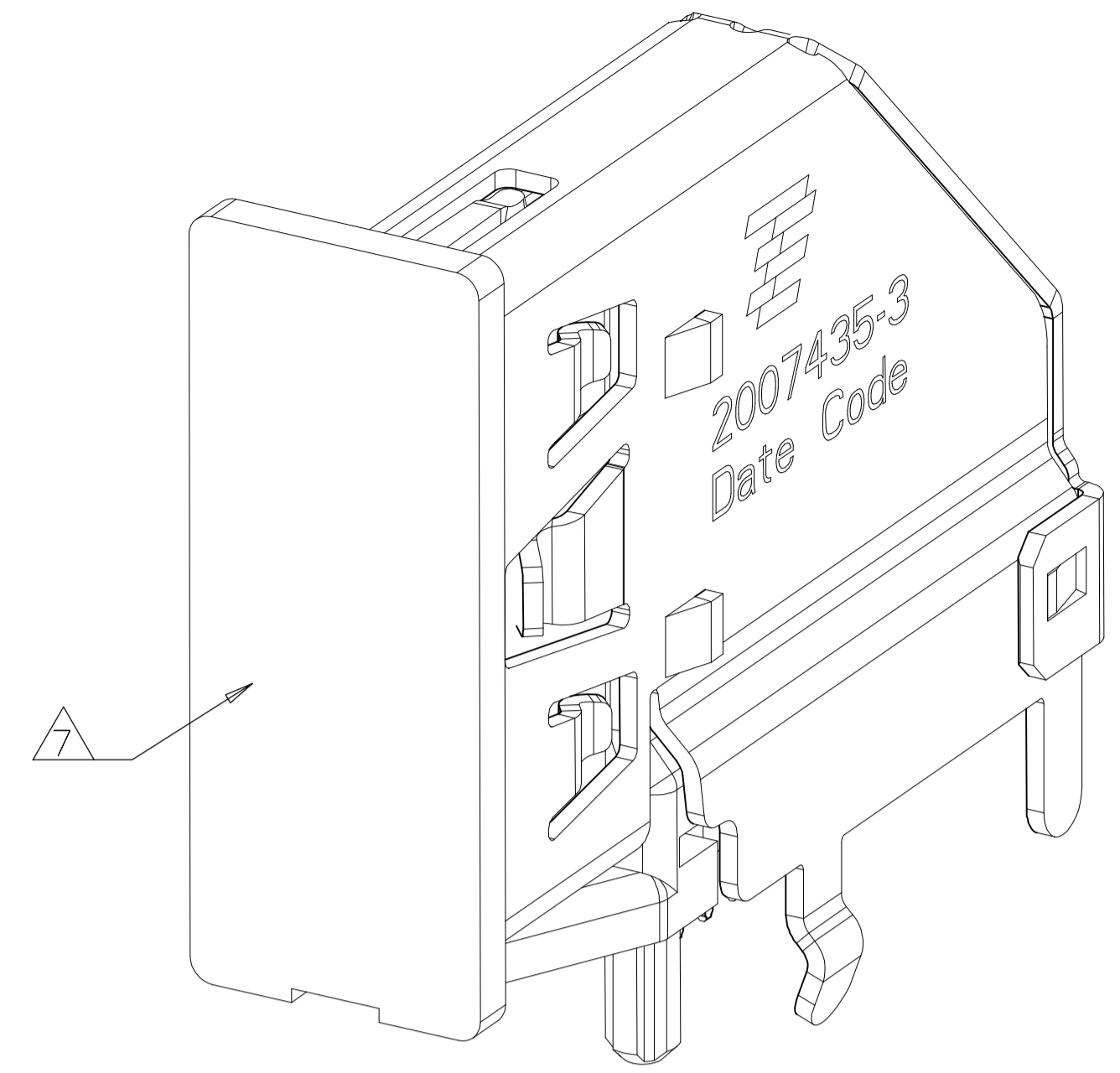


2007435-2
 INSTALLED CONDITION
 SCALE 6:1

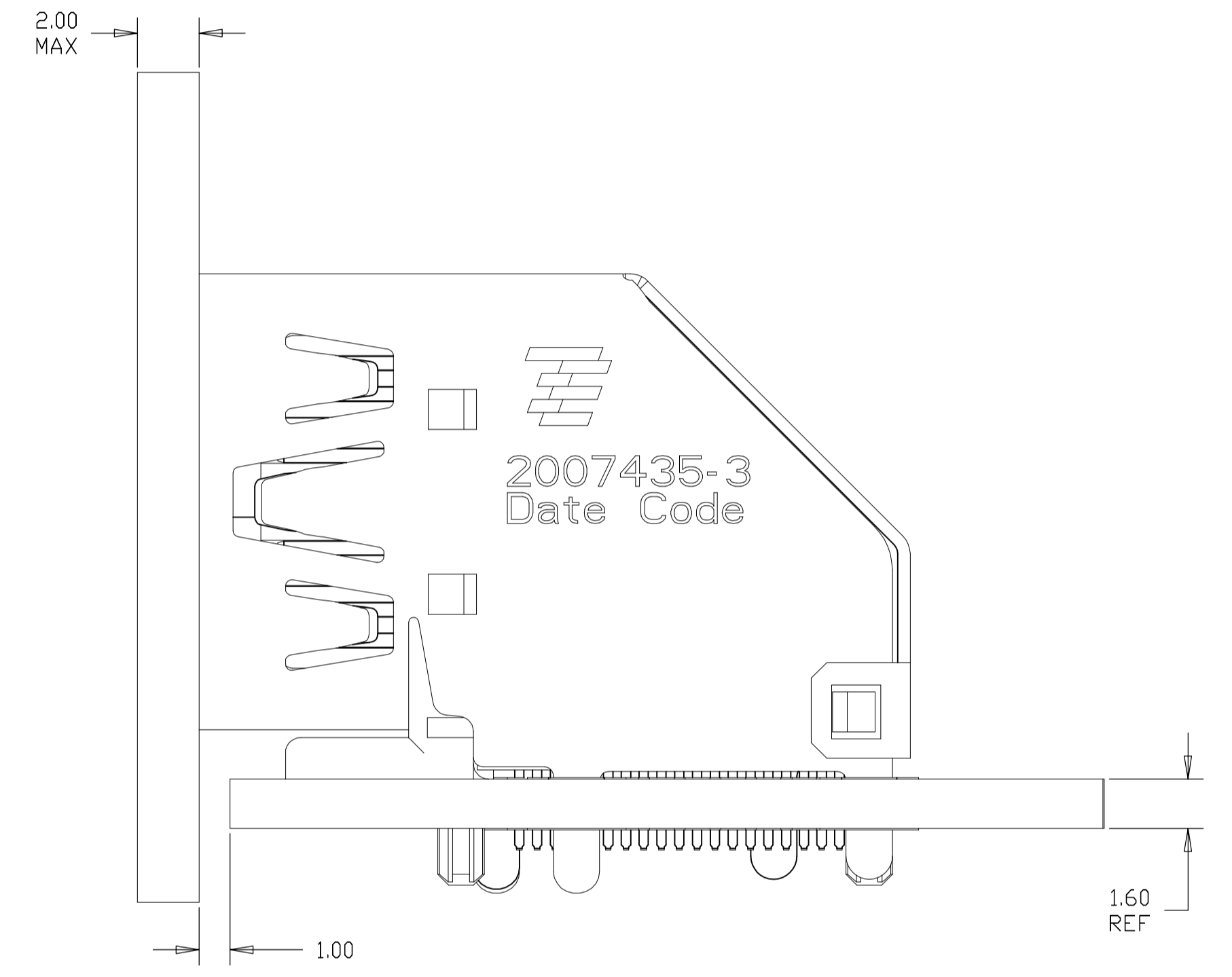
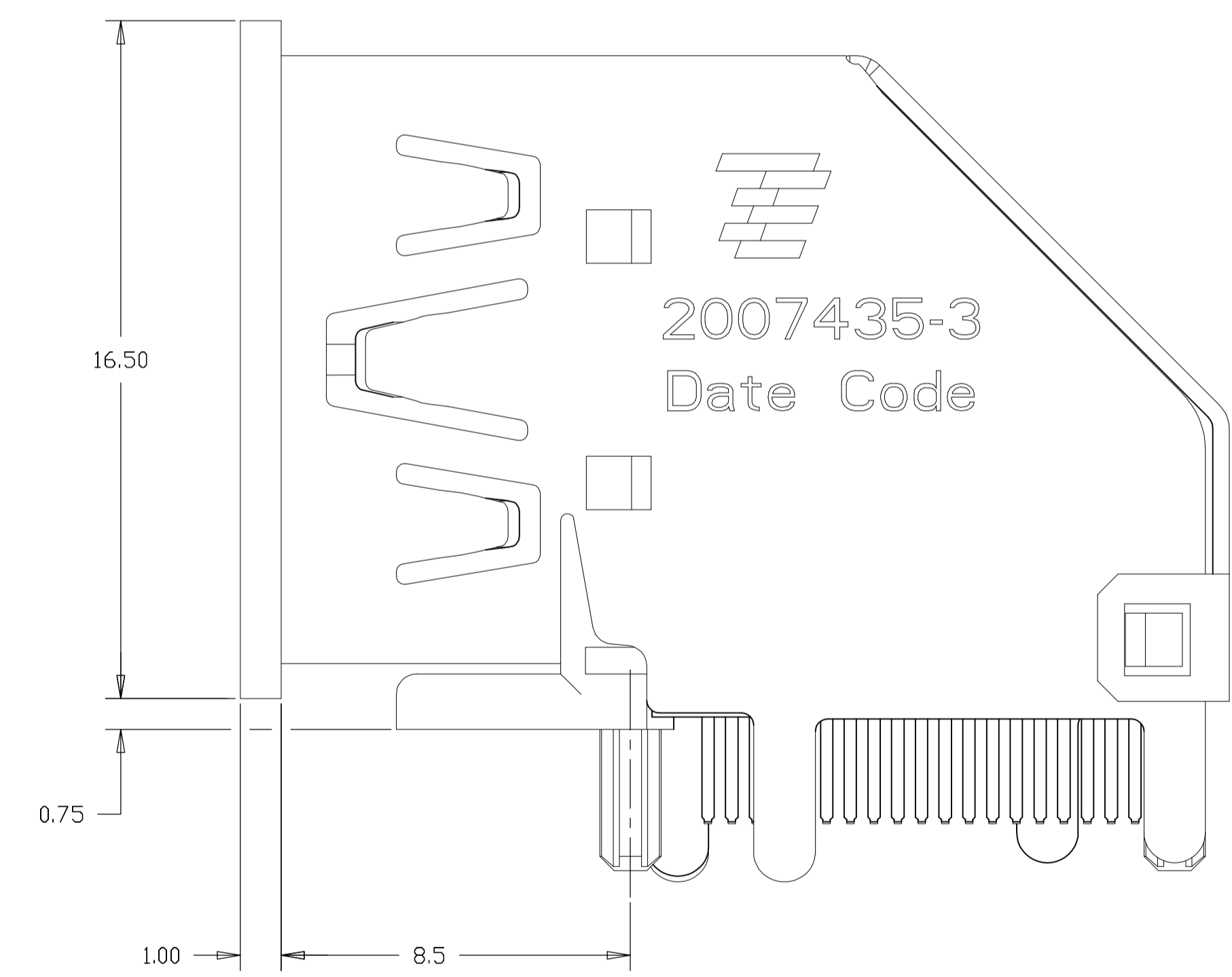
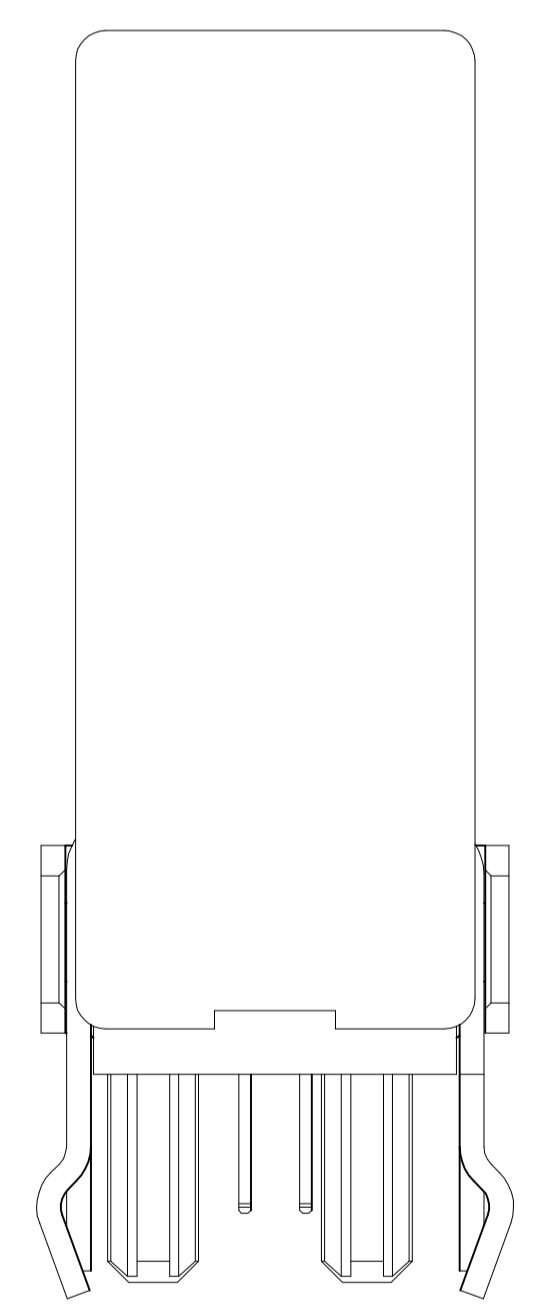
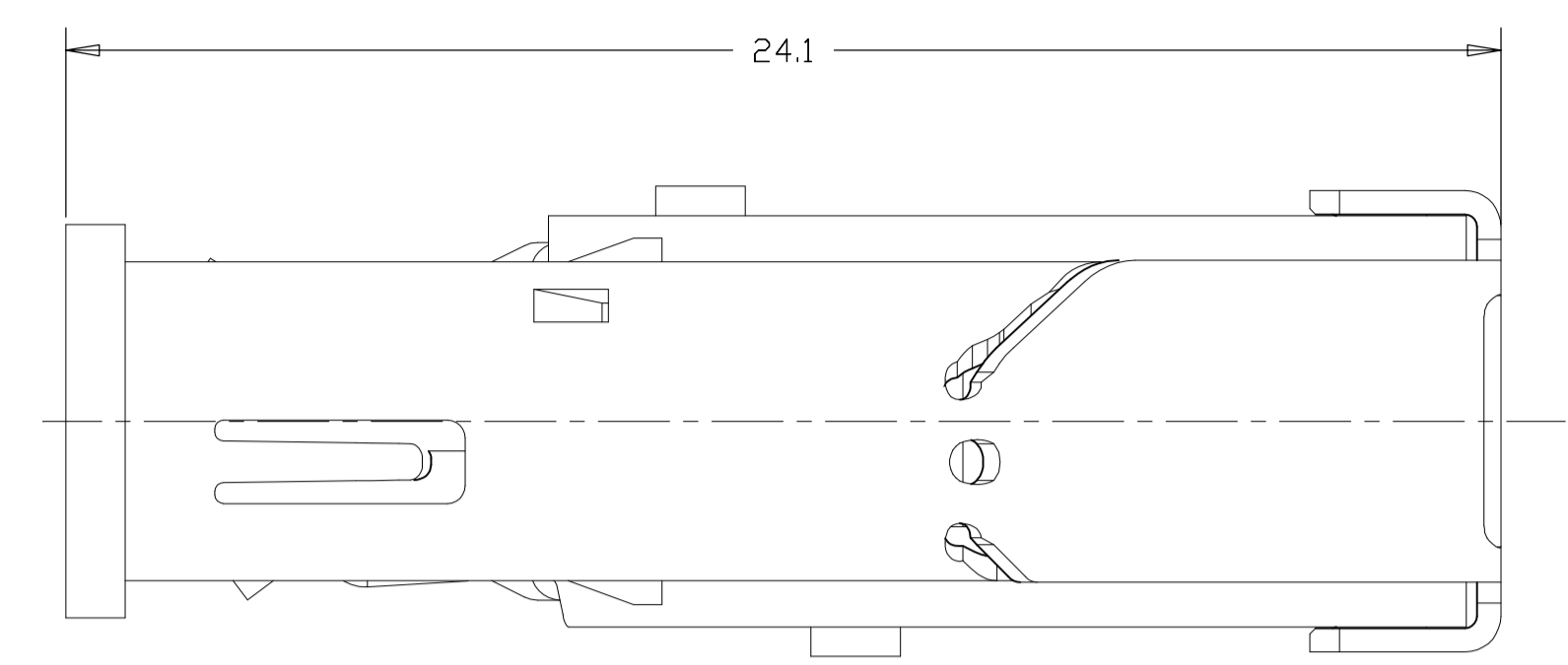


THIS DRAWING IS A CONTROLLED DOCUMENT.		DIN		STE TE Connectivity	
DIMENSIONS: mm		TOLERANCES UNLESS OTHERWISE SPECIFIED:		NAME	
<ul style="list-style-type: none"> 0. PLC ± - 1. PLC ± 0.3 2. PLC ± 0.25 3. PLC ± 0.100 4. PLC ± 0.1000 ANGLES ± - 		<ul style="list-style-type: none"> APVD PRODUCT SPEC APPLICATION SPEC 		HDMI FLAG CONNECTOR ASSEMBLY	
MATERIAL SEE TABLE		FINISH		SIZE CAGE CODE DRAWING NO	
				A1 00779 C=2007435	
		CUSTOMER DRAWING		RESTRICTED TO	
		SCALE 8:1		SHEET 3 OF 10 REV D2	

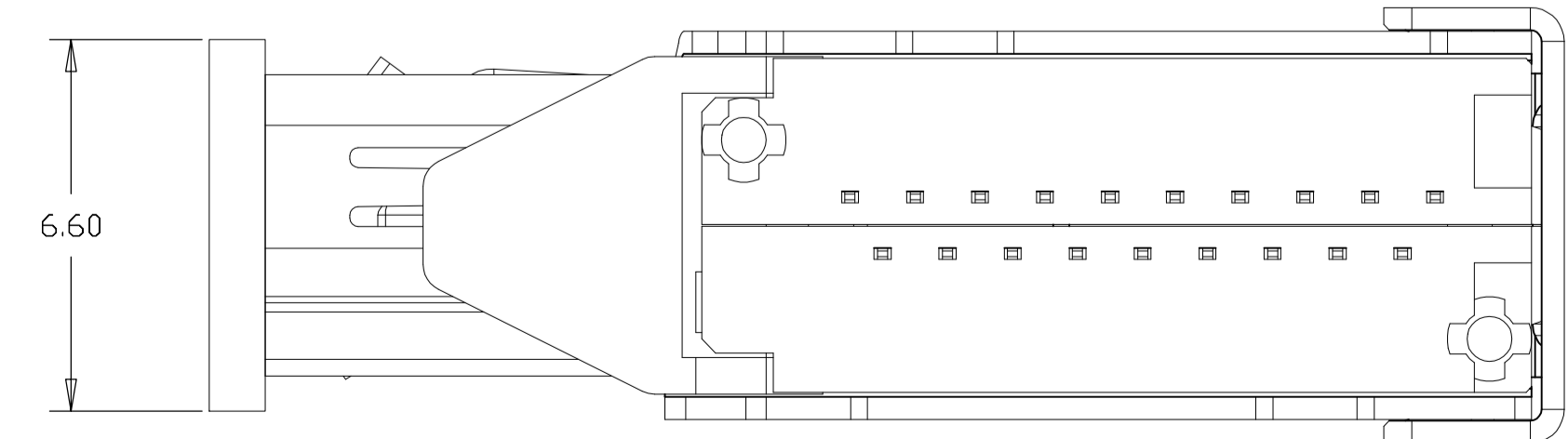
LOC		DIST		REVISIONS			
P	LTR	DESCRIPTION	DATE	DN	APVD		
-	-	SEE SHEET 1	-	-	-	-	-



2007435-3(-5) WITH CAP, UNMARKED
 DIMENSIONS SAME AS 2007435-1
 SCALE 6:1

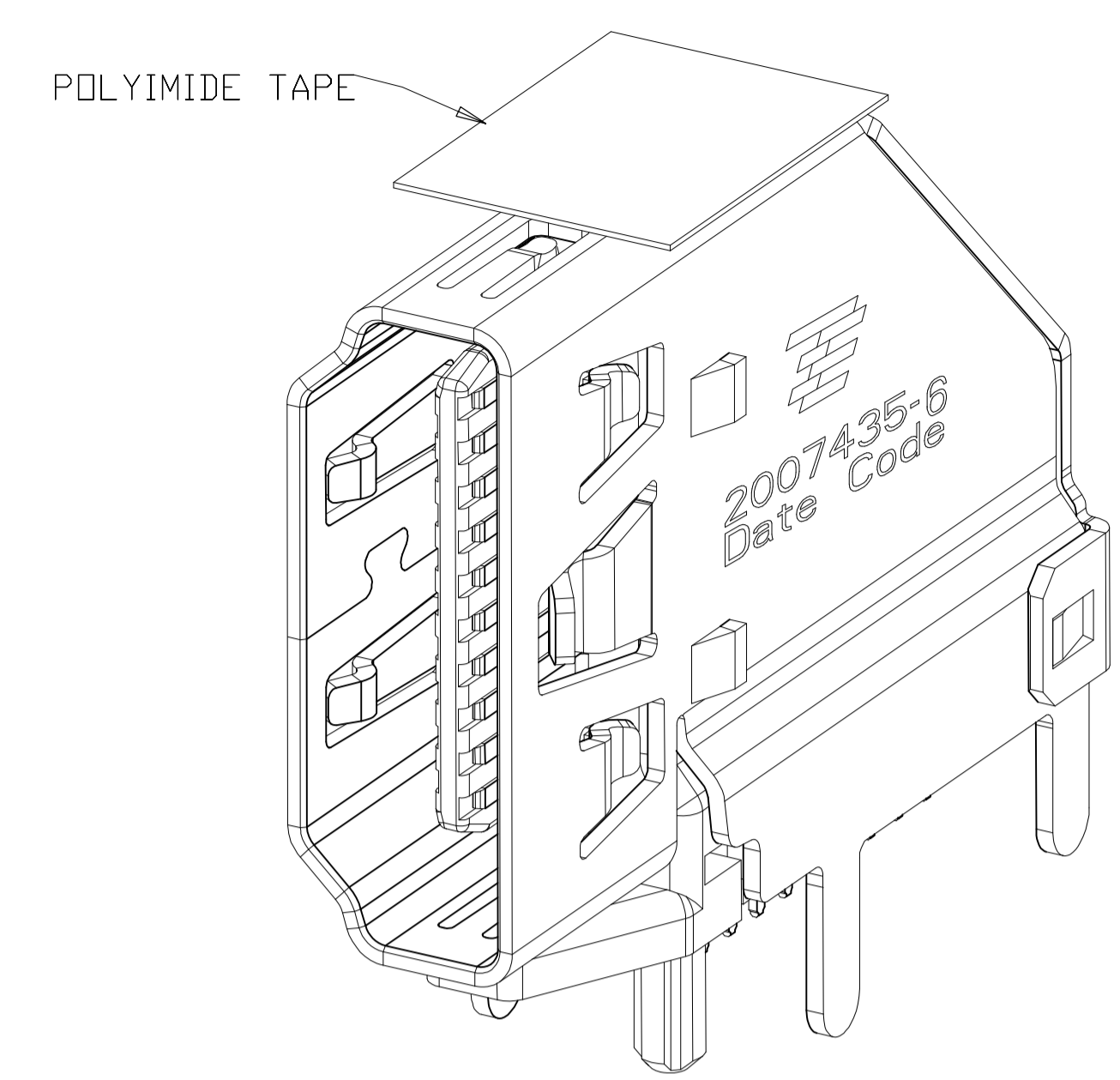
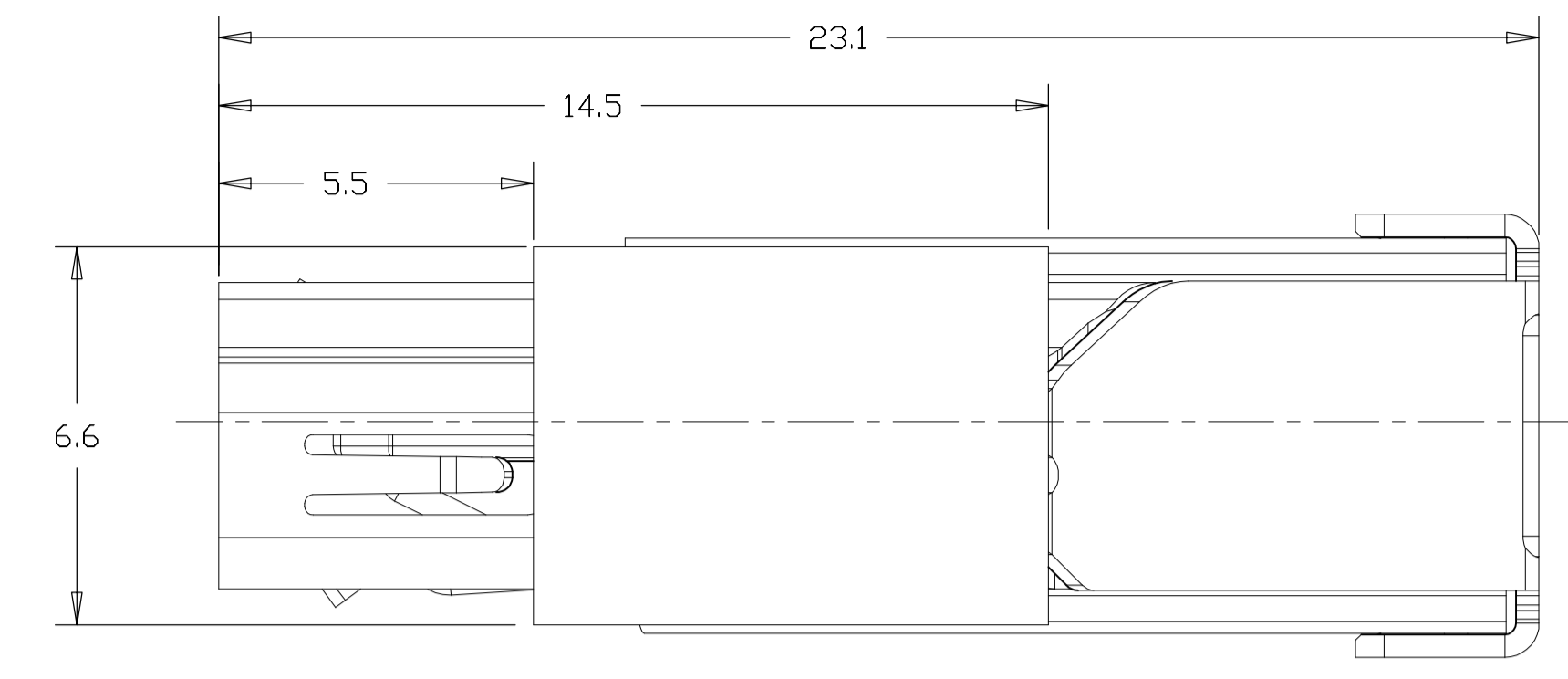


2007435-3(-5)
 INSTALLED CONDITION
 (ONLY FOR AFTER REMOVE CAP)
 SCALE 6:1

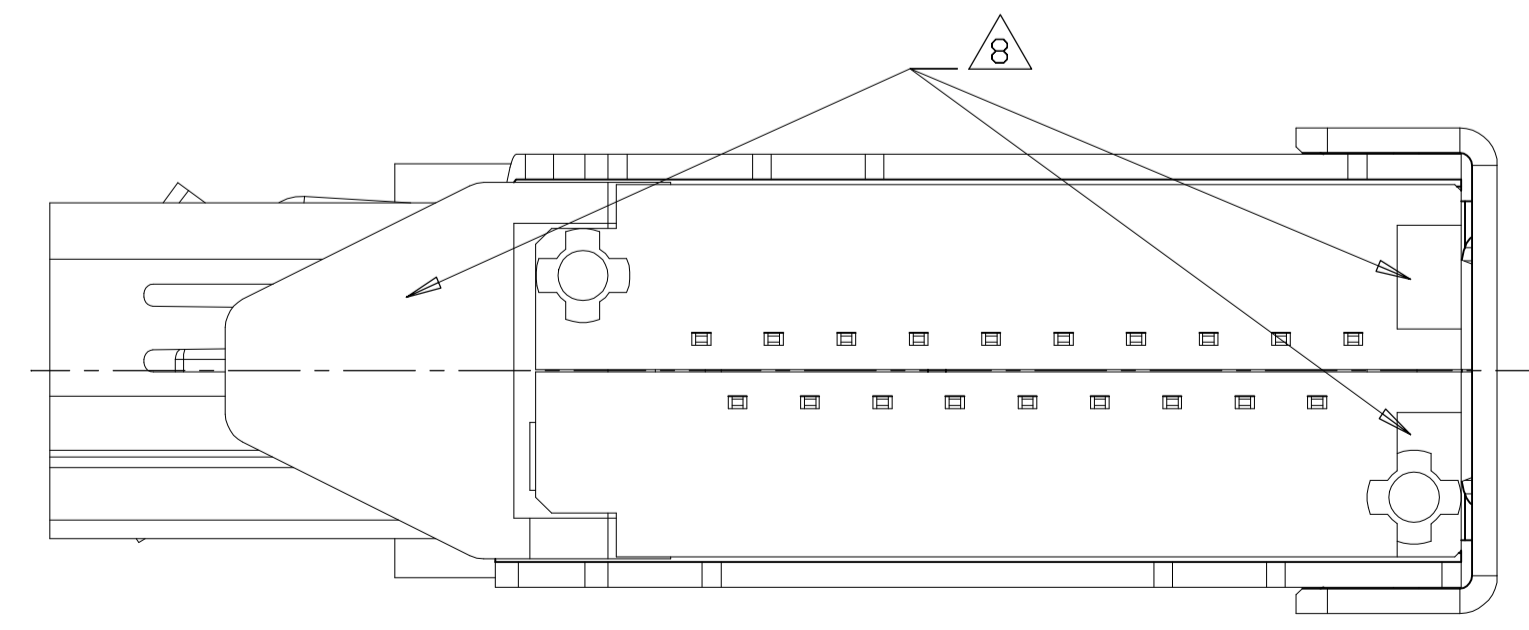
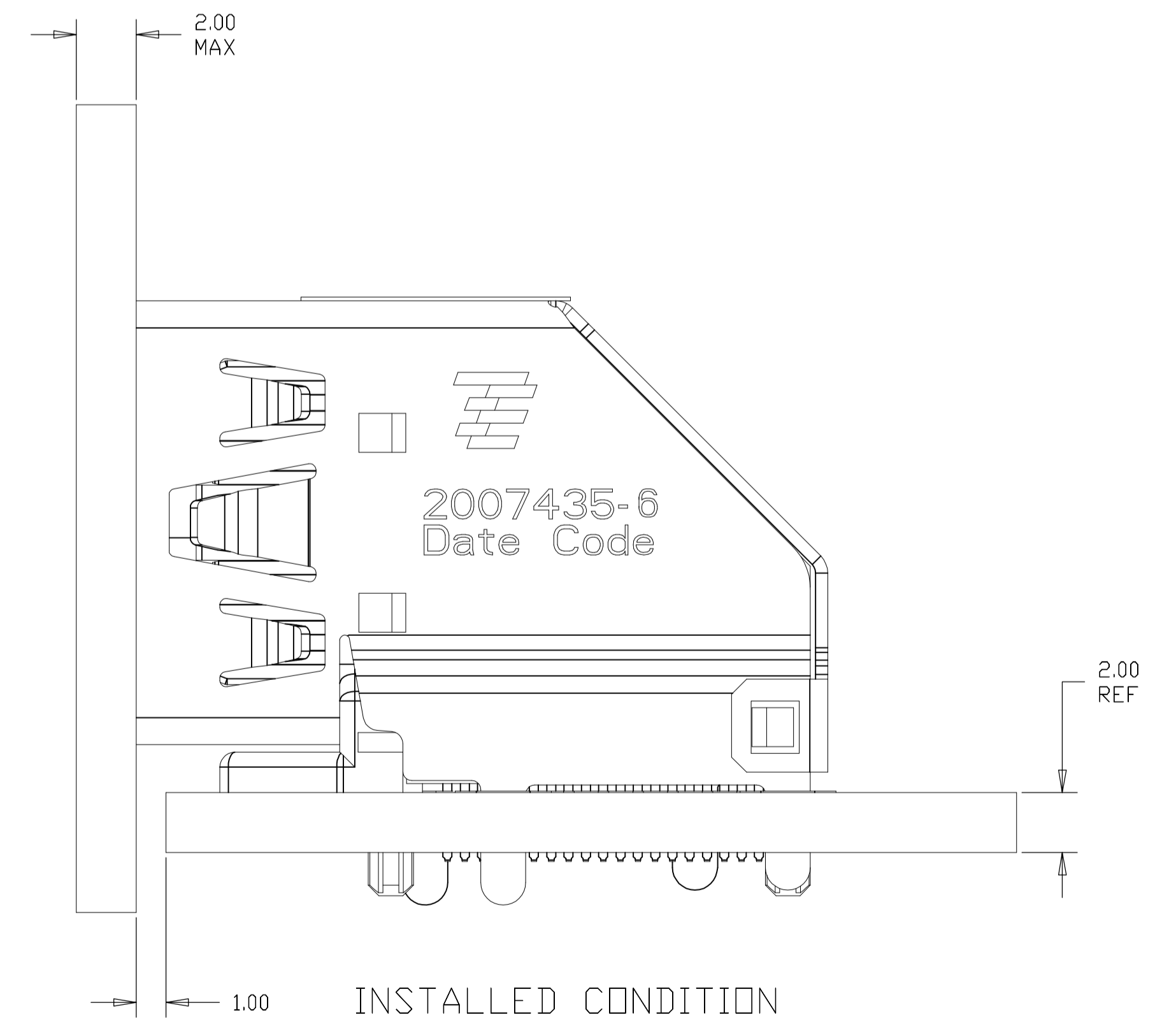
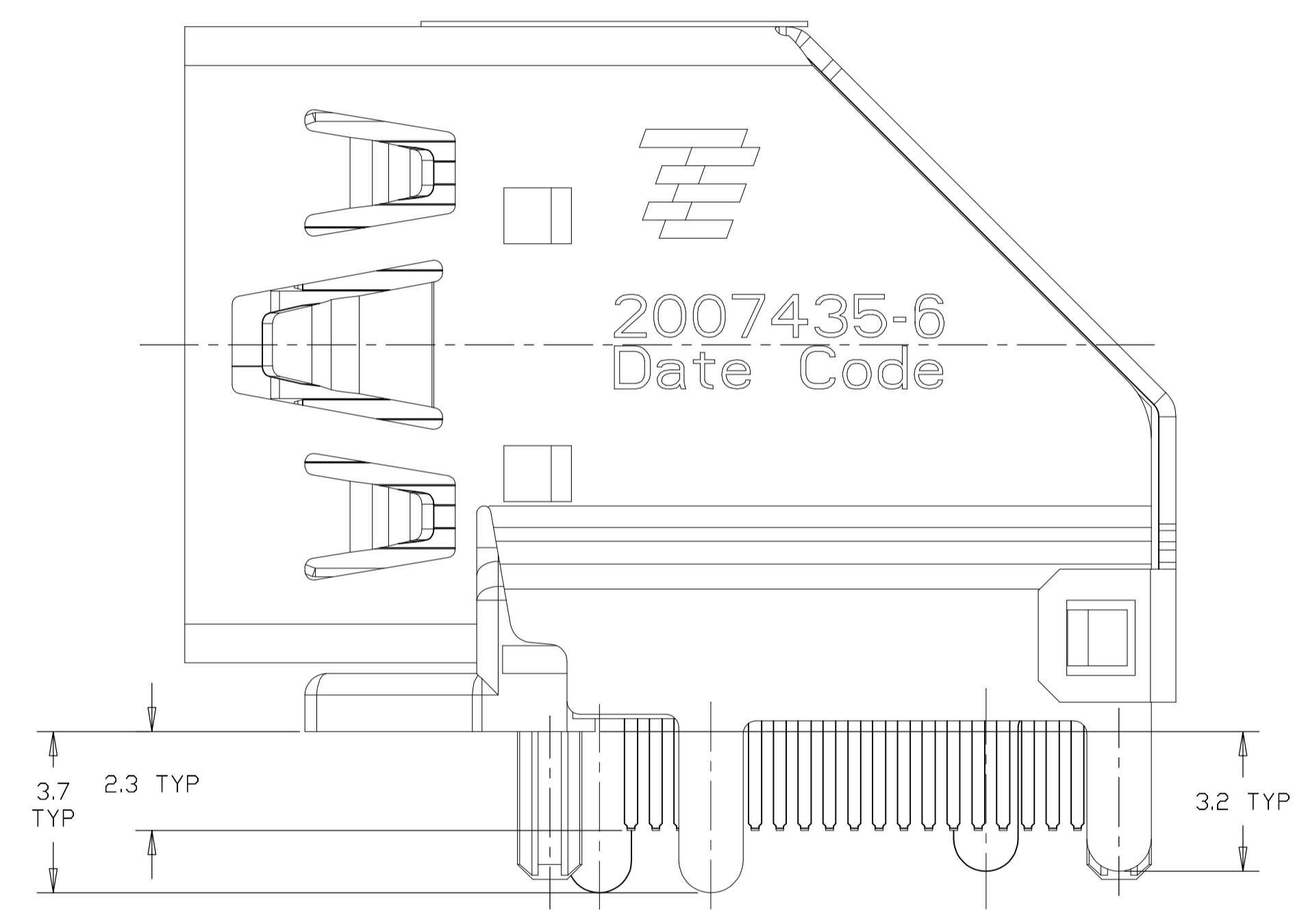
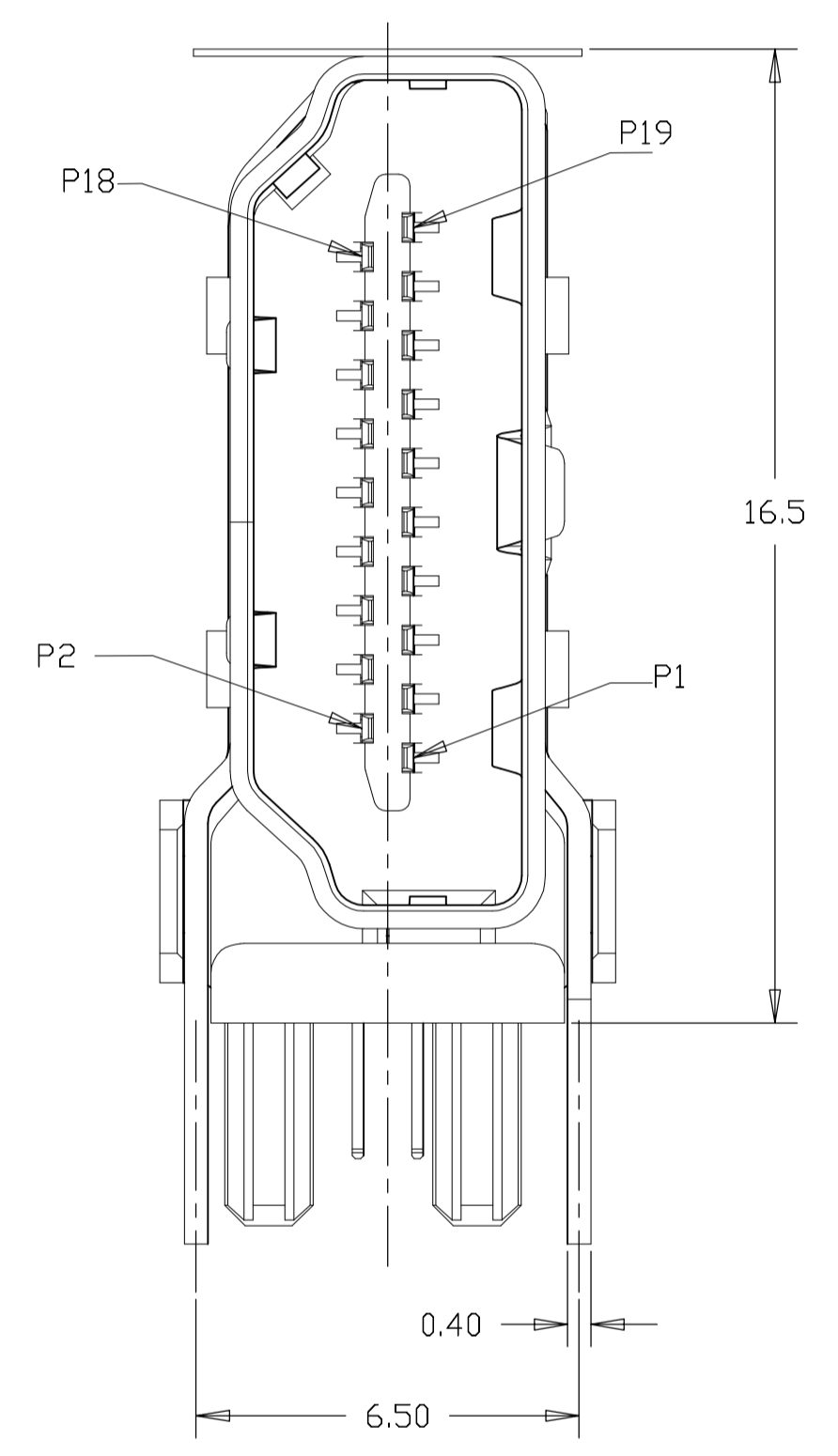


THIS DRAWING IS A CONTROLLED DOCUMENT.		DIN	STE TE Connectivity	
DIMENSIONS:	TOLERANCES UNLESS OTHERWISE SPECIFIED:	CHK	NAME	HDMI FLAG CONNECTOR ASSEMBLY
mm	0. PLC ± 0.3	APVD	PRODUCT SPEC	
	1. PLC ± 0.25	APPLICATION SPEC	SIZE	A1
	2. PLC ± 0.10	WEIGHT	CAGE CODE	00779
	3. PLC ± 0.10	CUSTOMER DRAWING	DRAWING NO	C=2007435
	4. PLC ± 0.10	SCALE	RESTRICTED TO	
MATERIAL	FINISH	SCALE	SHEET	4 OF 10
SEE TABLE		8:1	REV	D2

LOC		DIST		REVISIONS			
P	LTR	DESCRIPTION	DATE	DNW	APVD		
-	-	SEE SHEET 1	-	-	-	-	-

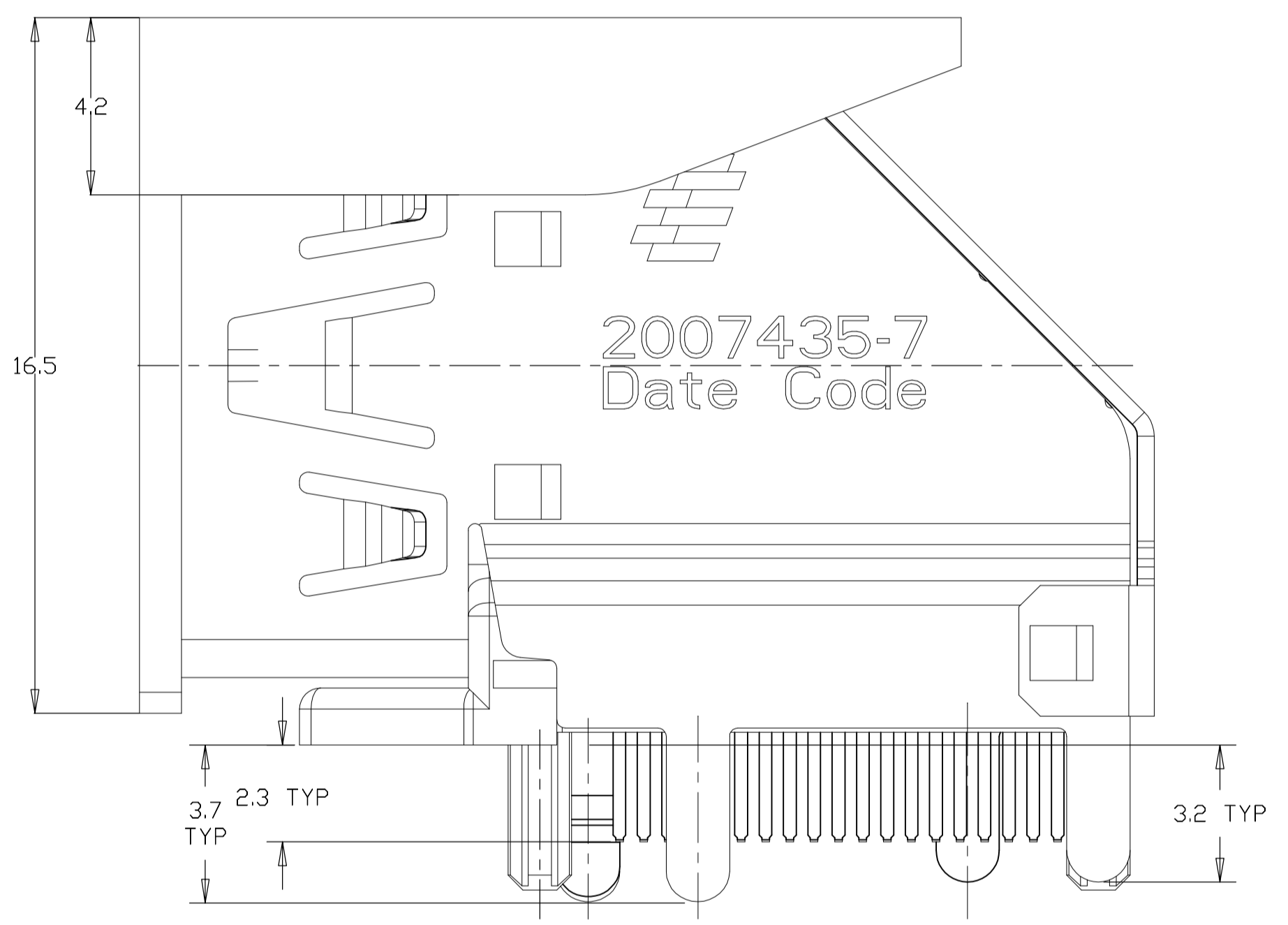
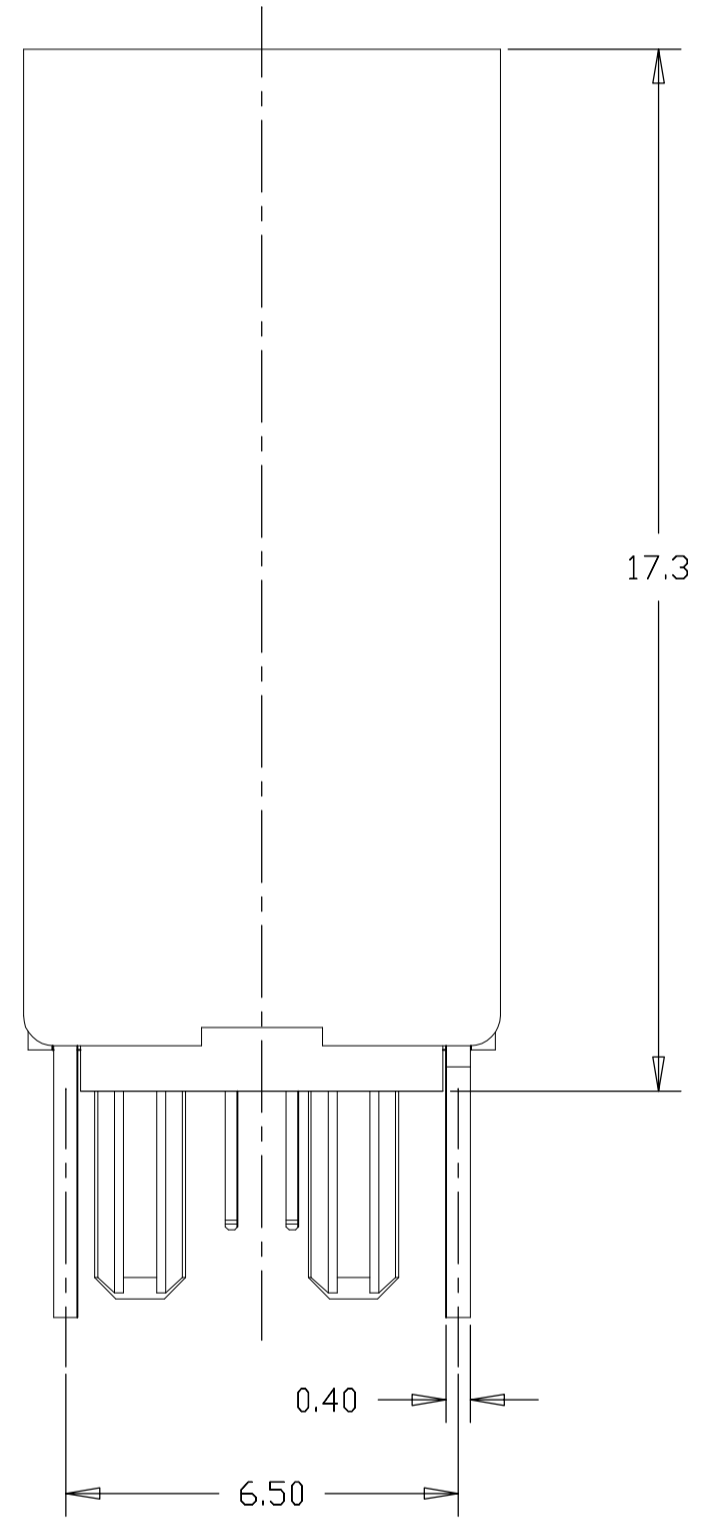
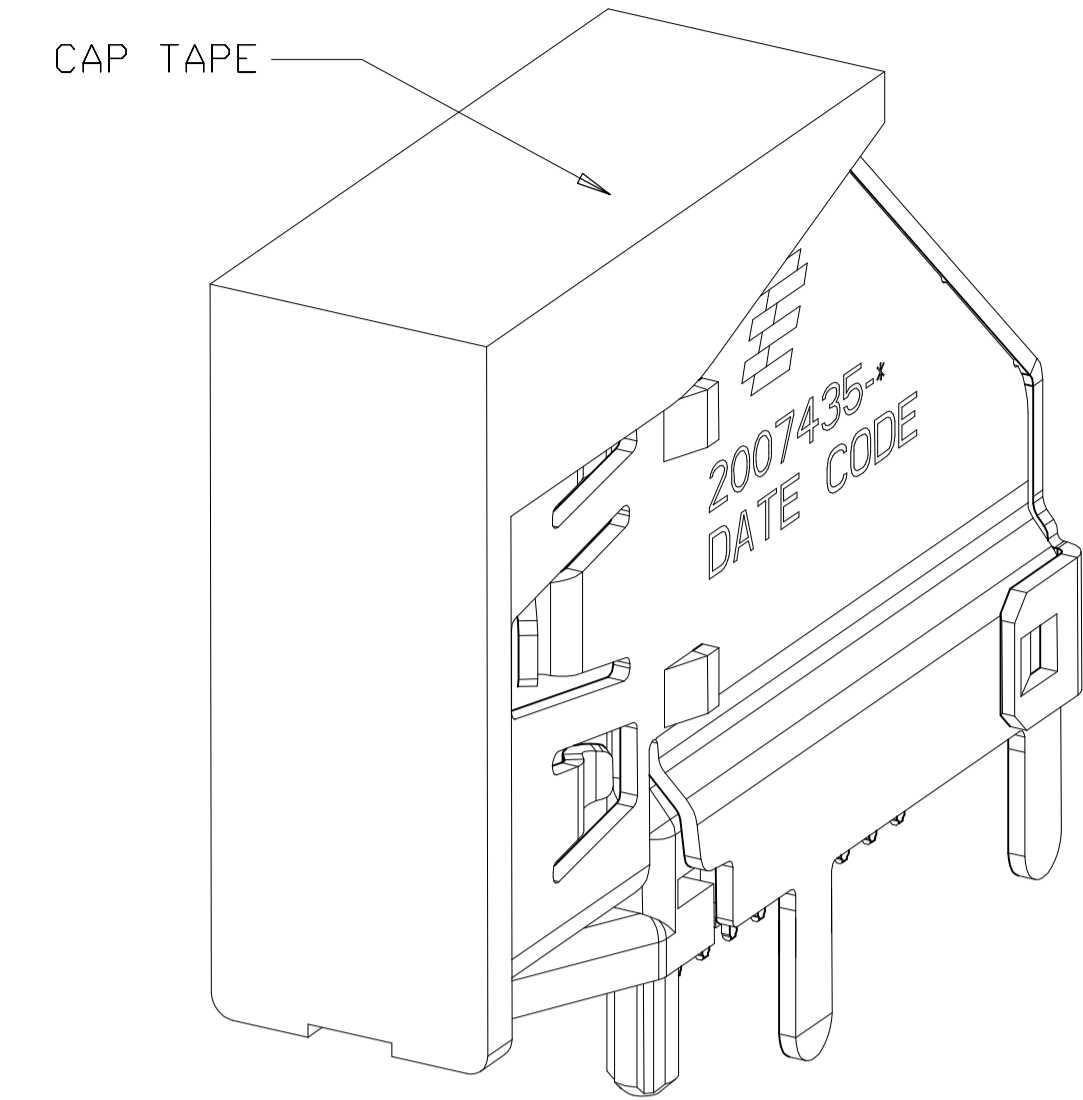
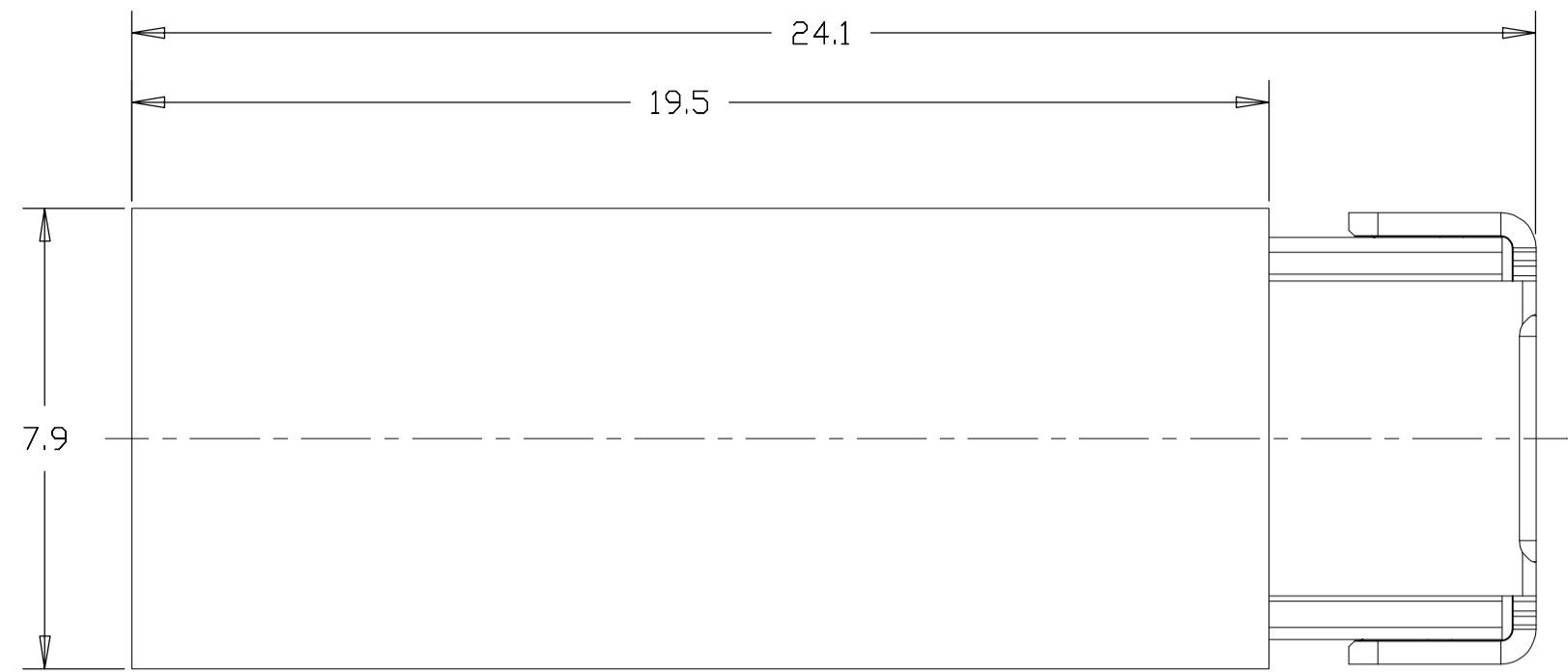


2007435-6 WITH POLYIMIDE TAPE,
UNMARKED DIMENSIONS SAME AS 2007435-1
SCALE 6:1



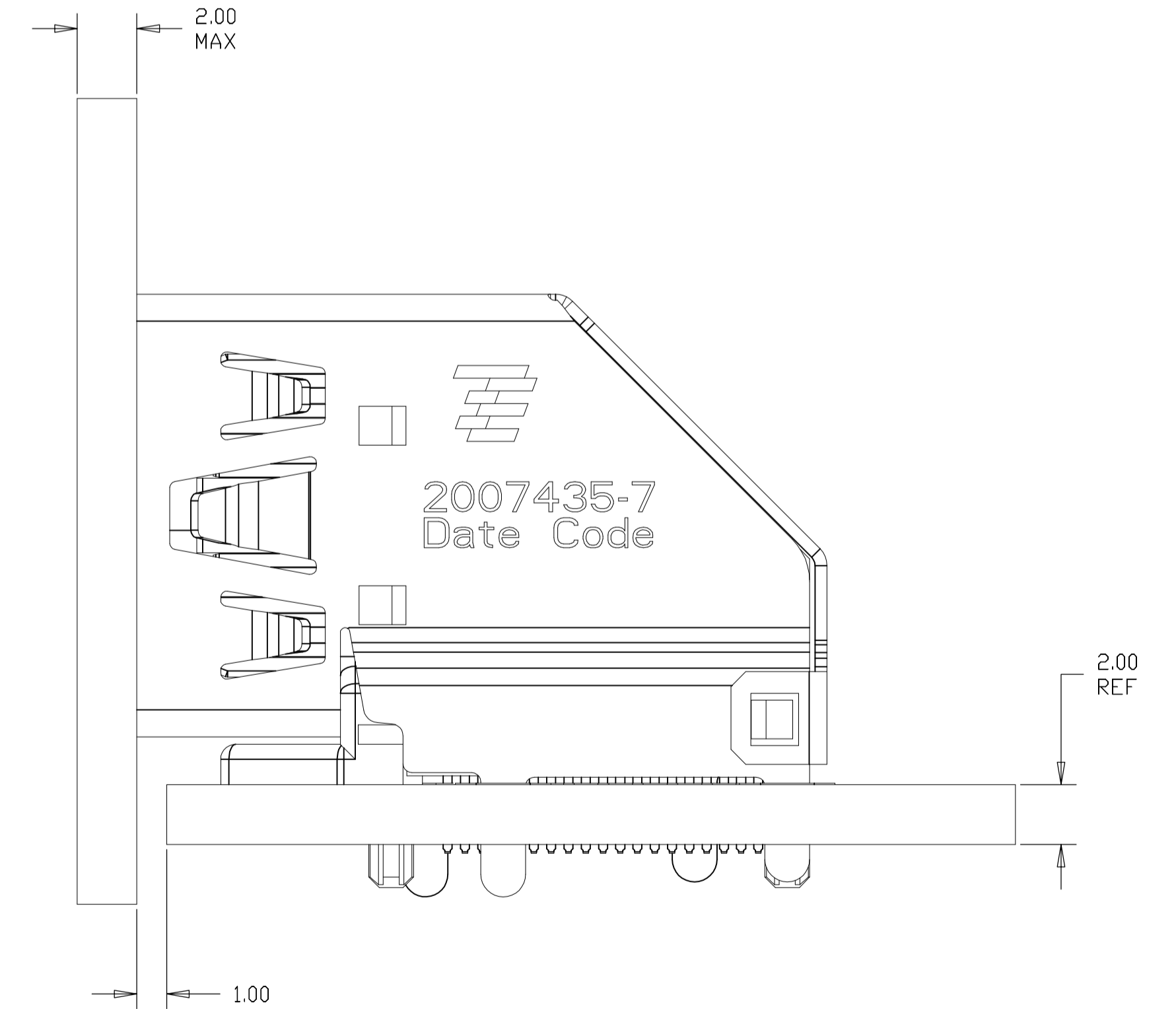
THIS DRAWING IS A CONTROLLED DOCUMENT.		DIN		STE TE Connectivity	
DIMENSIONS: mm		TOLERANCES UNLESS OTHERWISE SPECIFIED:		NAME	
<ul style="list-style-type: none"> 0. PLC ± 0.3 1. PLC ± 0.25 2. PLC ± 0.10 3. PLC ± 0.10 4. PLC ± 0.10 ANGLES ± - 		<ul style="list-style-type: none"> CHK APVD PRODUCT SPEC APPLICATION SPEC 		HDMI FLAG CONNECTOR ASSEMBLY	
MATERIAL SEE TABLE		FINISH		SIZE CAGE CODE DRAWING NO	
				A1 00779 C=2007435	
		WEIGHT		RESTRICTED TO	
		CUSTOMER DRAWING		SCALE 8:1 SHEET 5 OF 10 REV D2	

LOC		DIST		REVISIONS			
P	LTR	DESCRIPTION	DATE	OWN	APVD		
-	-	SEE SHEET 1	-	-	-	-	-

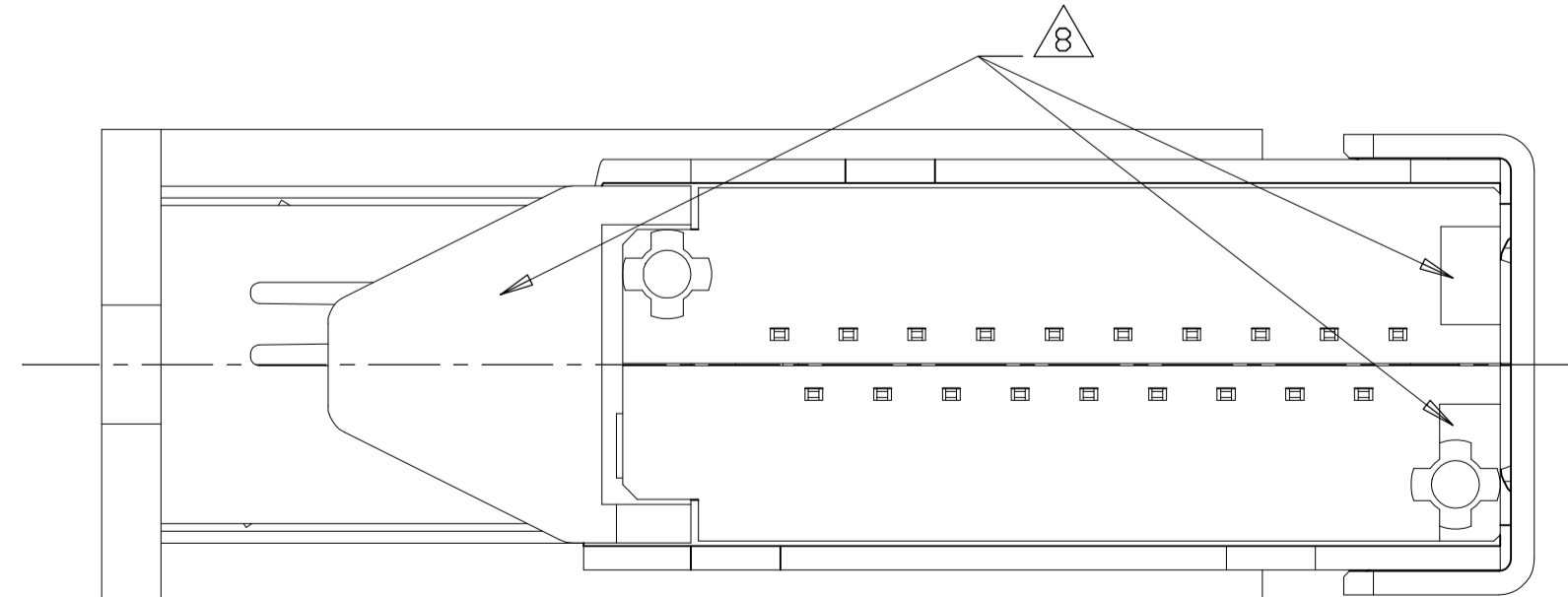


2007435-7 WITH CAP,
 UNMARKED DIMENSIONS SAME AS 2007435-1

SCALE 6:1

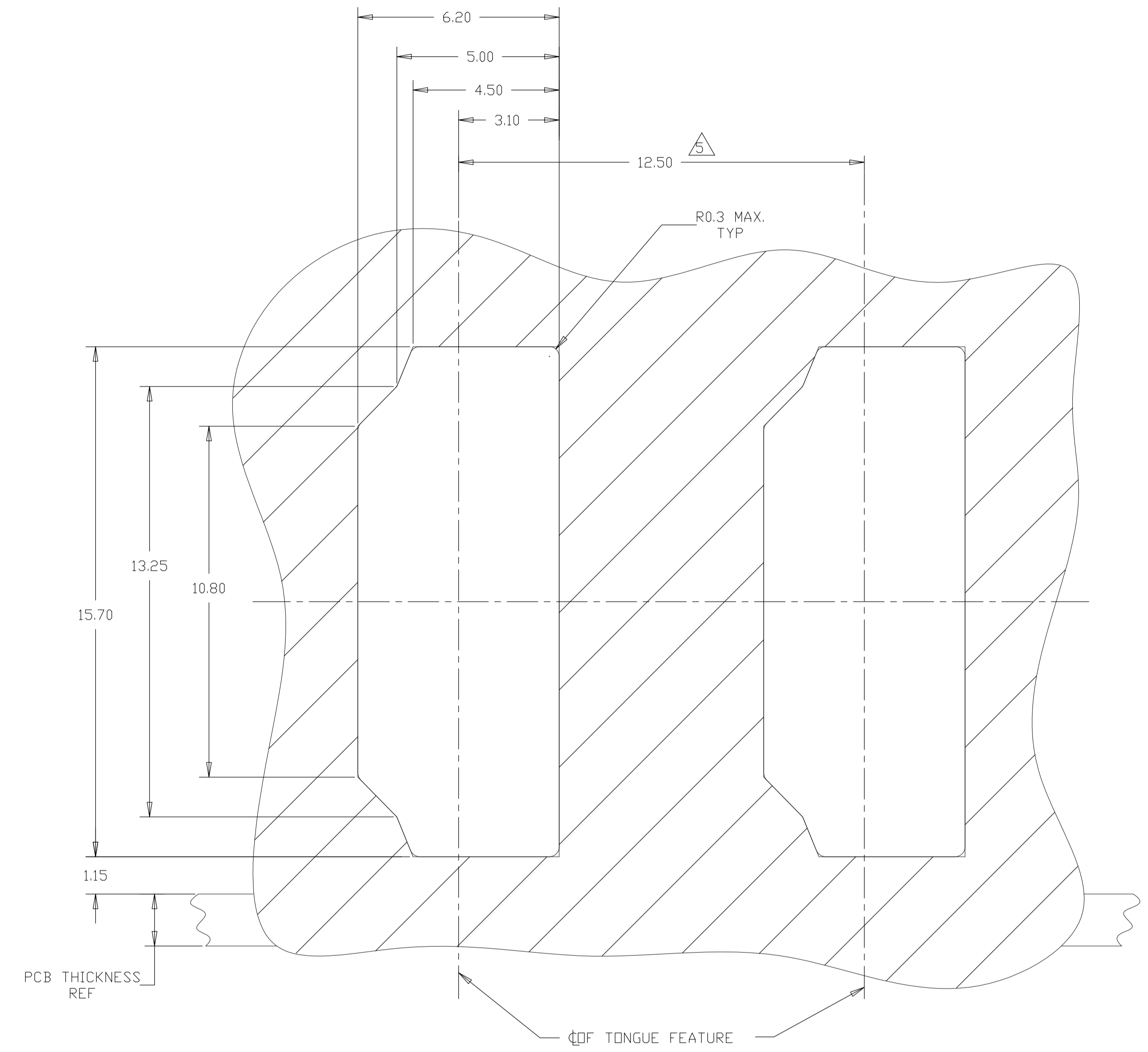
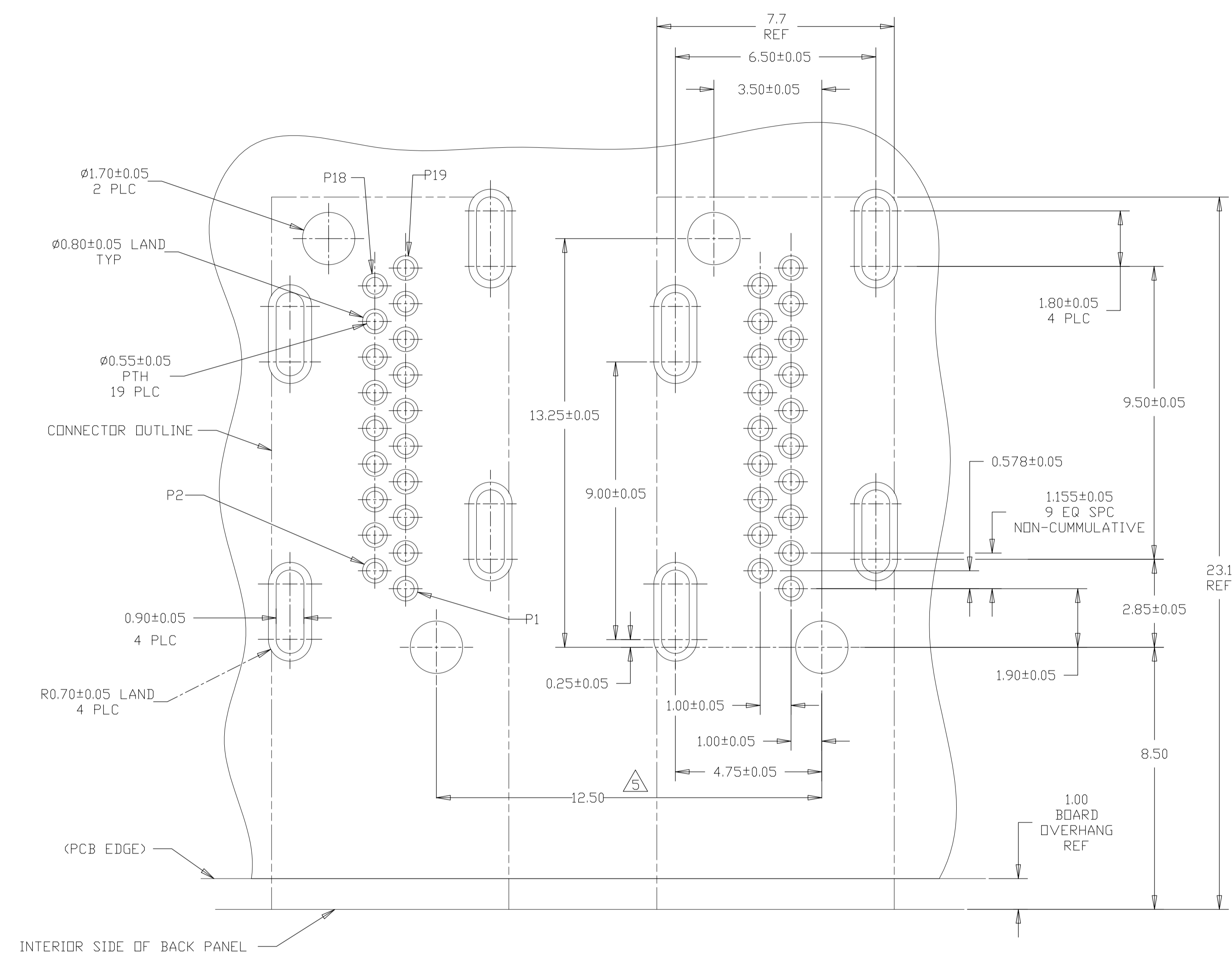


INSTALLED CONDITION
 (ONLY FOR AFTER REMOVE CAP)
 SCALE 6:1



THIS DRAWING IS A CONTROLLED DOCUMENT.		DWN		
DIMENSIONS: mm		CHK		
TOLERANCES UNLESS OTHERWISE SPECIFIED:		APVD	NAME	
0 PLC	± 0.3	PRODUCT SPEC	HDMI FLAG CONNECTOR ASSEMBLY	
1 PLC	± 0.25	APPLICATION SPEC	SIZE	CAGE CODE
2 PLC	± 0.10		A1	00779
3 PLC	± 0.10		DRAWING NO	
4 PLC	± 0.10		C=2007435	
ANGLES	±	WEIGHT	RESTRICTED TO	
MATERIAL SEE TABLE	FINISH	CUSTOMER DRAWING	SCALE 8:1 SHEET 6 OF 10 REV D2	

LOC		DIST		REVISIONS			
P	LTR	DESCRIPTION	DATE	DWN	APVD		
-	-	SEE SHEET 1	-	-	-	-	-

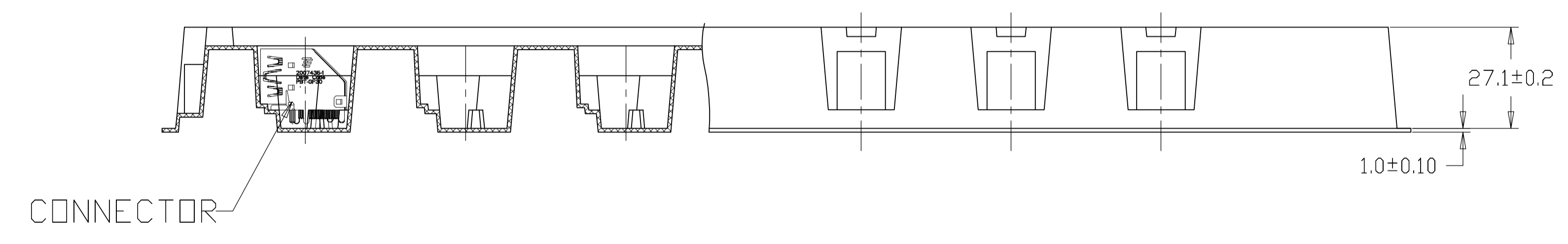
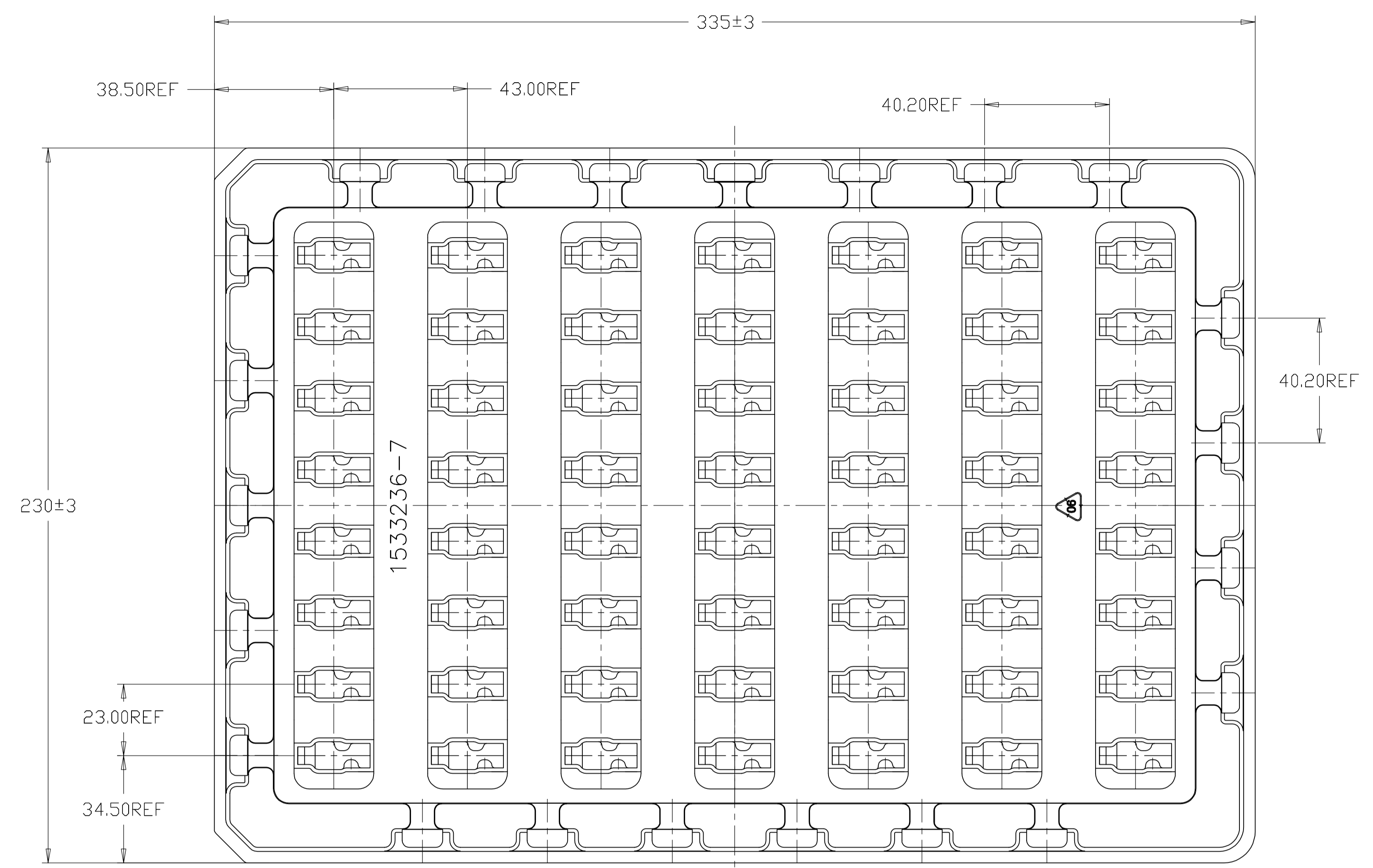


PCB LAYOUT SCALE 10:1

RECOMMENDED PANEL CUTOUT SCALE 10:1

THIS DRAWING IS A CONTROLLED DOCUMENT.		DIN		STE TE Connectivity													
DIMENSIONS: mm		TOLERANCES UNLESS OTHERWISE SPECIFIED:		NAME													
<table border="1"> <tr><td>0 PLC</td><td>± -</td></tr> <tr><td>1 PLC</td><td>± 0.1</td></tr> <tr><td>2 PLC</td><td>± 0.10</td></tr> <tr><td>3 PLC</td><td>± 0.100</td></tr> <tr><td>4 PLC</td><td>± 0.1000</td></tr> <tr><td>ANGLES</td><td>± -</td></tr> </table>		0 PLC	± -	1 PLC	± 0.1	2 PLC	± 0.10	3 PLC	± 0.100	4 PLC	± 0.1000	ANGLES	± -	APVD		HDMI FLAG CONNECTOR ASSEMBLY	
0 PLC	± -																
1 PLC	± 0.1																
2 PLC	± 0.10																
3 PLC	± 0.100																
4 PLC	± 0.1000																
ANGLES	± -																
MATERIAL		FINISH		PRODUCT SPEC													
				APPLICATION SPEC													
				SIZE CAGE CODE DRAWING NO													
				A1 00779 C=2007435													
		WEIGHT		RESTRICTED TO													
				CUSTOMER DRAWING													
		SCALE 8:1		SHEET 7 OF 10 REV D2													

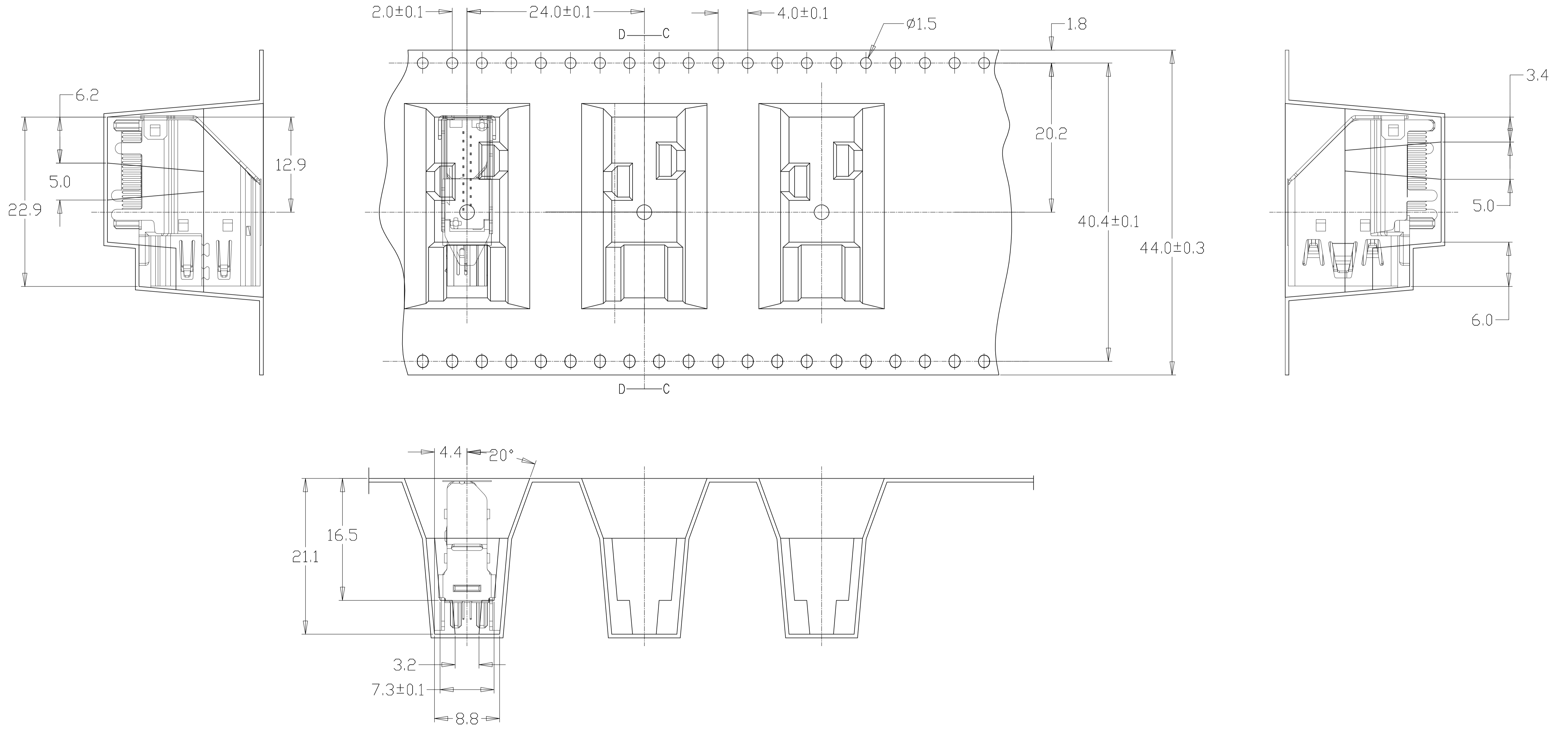
LOC		DIST		REVISIONS			
P	LTR	DESCRIPTION	DATE	DNW	APVD		
-	-	SEE SHEET 1	-	-	-	-	-



PACKAGE TRAY
FOR PART NUMBER
2007435-1,-2,-3,-4,-5
2-2007435-1

THIS DRAWING IS A CONTROLLED DOCUMENT.		DIN		STE TE Connectivity	
DIMENSIONS: mm		TOLERANCES UNLESS OTHERWISE SPECIFIED:		NAME	
<ul style="list-style-type: none"> 0. PLC ± . 1. PLC ± . 2. PLC ± . 3. PLC ± . 4. PLC ± . ANGLES ± . 		APVD		HDMI FLAG CONNECTOR ASSEMBLY	
MATERIAL		FINISH		PRODUCT SPEC	
				APPLICATION SPEC	
				WEIGHT	
				A1 00779 C=2007435	
				CUSTOMER DRAWING	
				SCALE N/A SHEET 8 OF 10 REV D2	

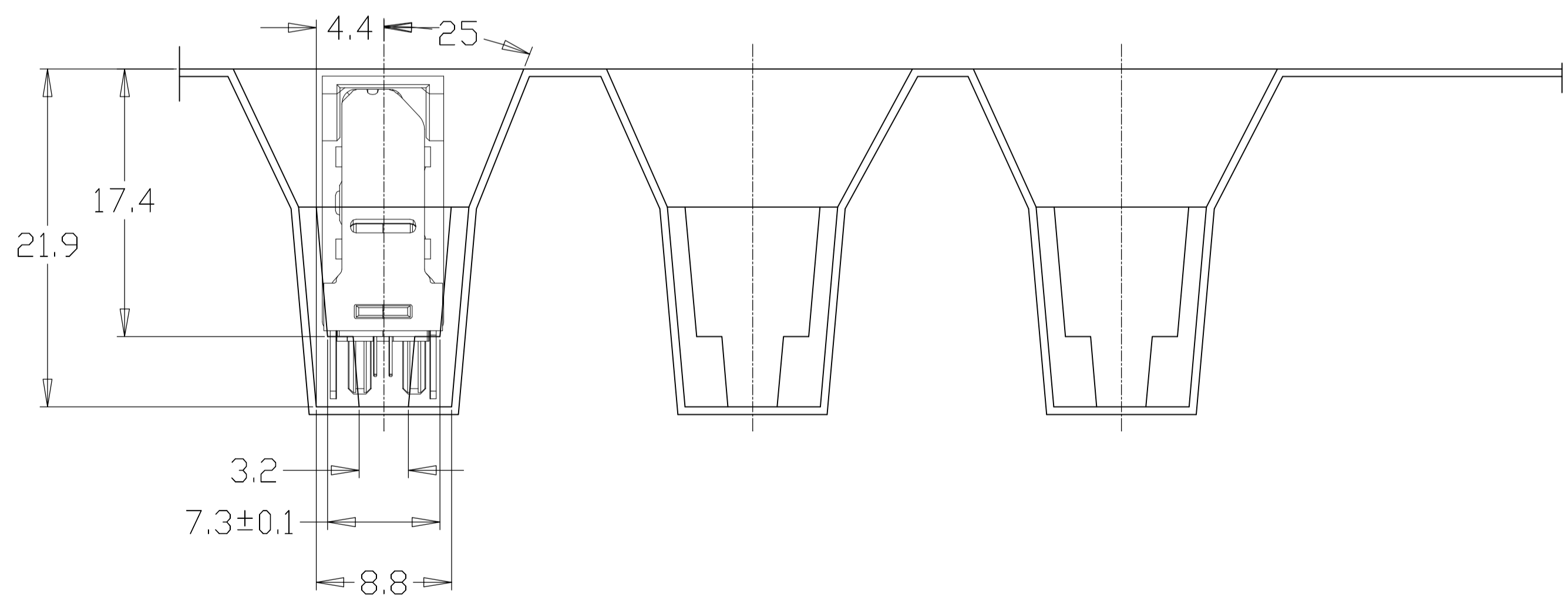
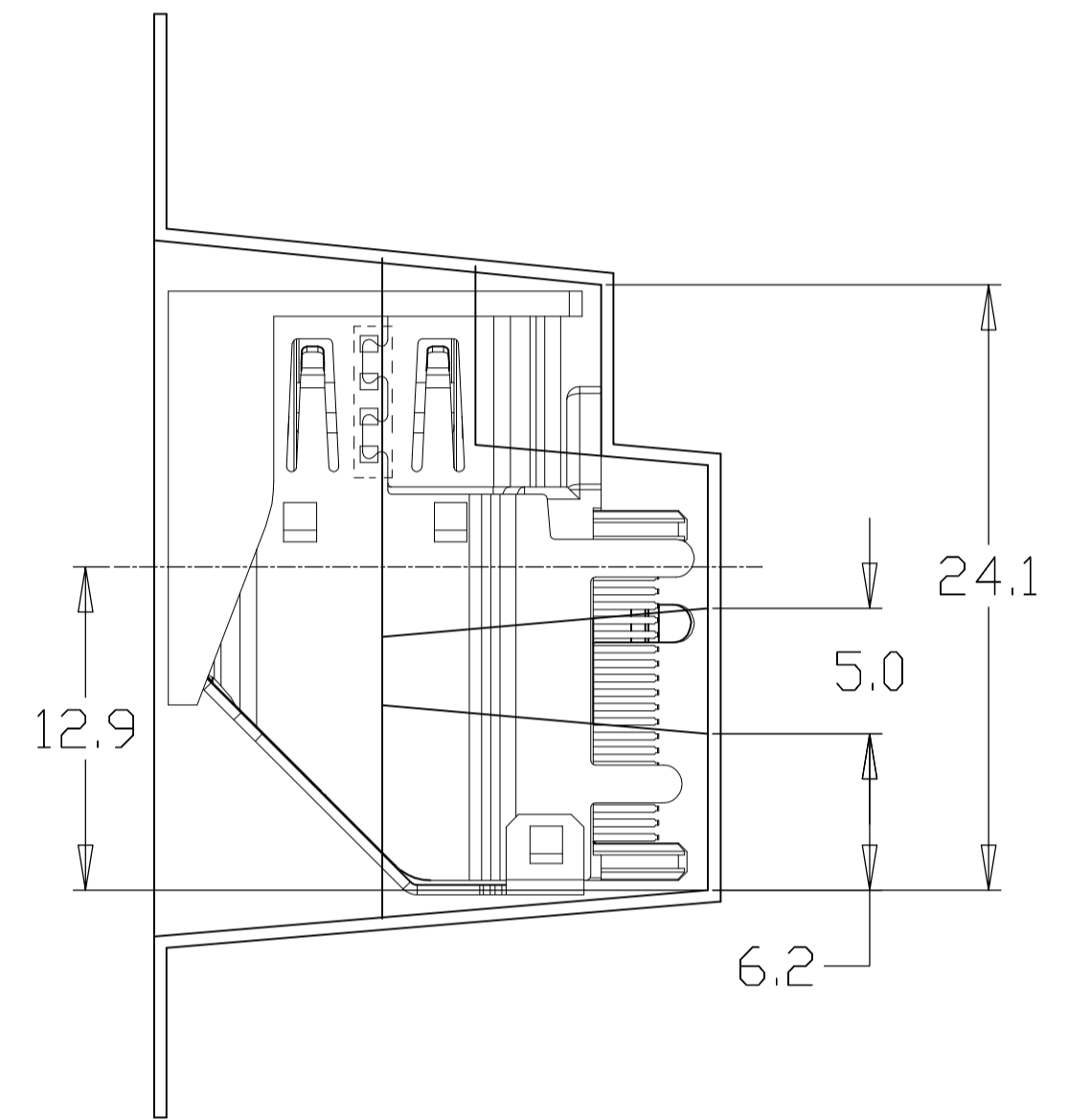
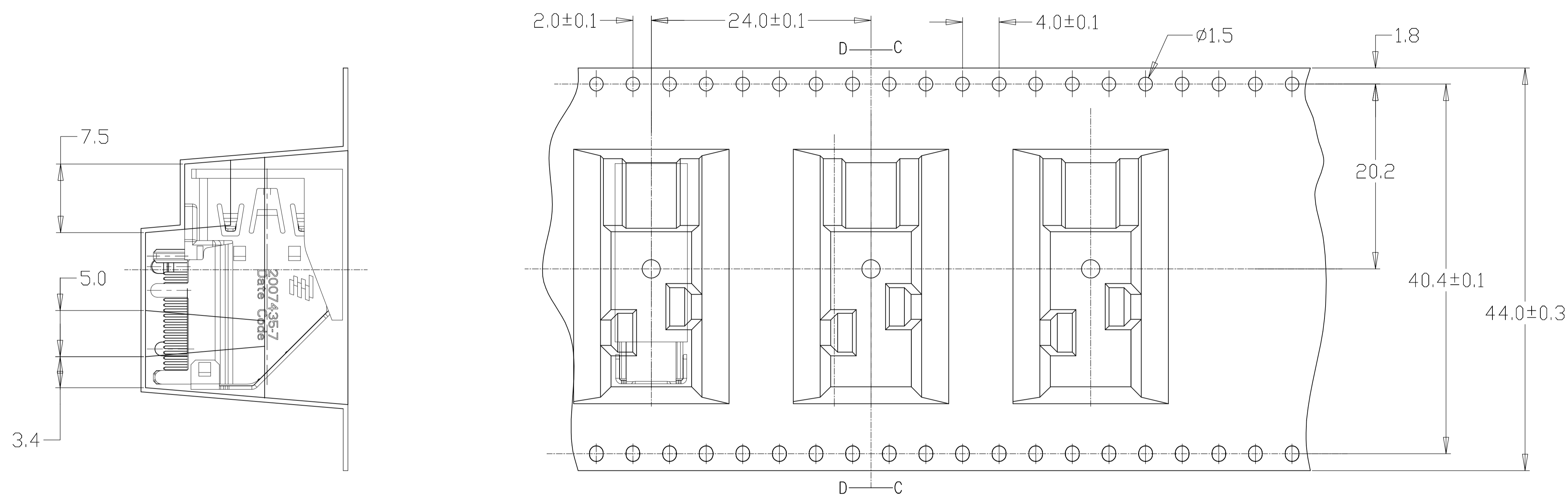
LOC		DIST		REVISIONS			
P	LTR	DESCRIPTION	DATE	DN	APVD		
-	-	SEE SHEET 1	-	-	-	-	-



EMBOSS TAPE
FOR PART NUMBER 2007435-6

THIS DRAWING IS A CONTROLLED DOCUMENT.		DIN		TE Connectivity	
DIMENSIONS: mm		CHK			
TOLERANCES UNLESS OTHERWISE SPECIFIED:		APVD		NAME	
0. PLC ± 0.3		PRODUCT SPEC		HDMI FLAG CONNECTOR ASSEMBLY	
1. PLC ± 0.15		APPLICATION SPEC		-	
2. PLC ± 0.10		MATERIAL		SIZE CAGE CODE DRAWING NO. RESTRICTED TO	
3. PLC ± 0.10		FINISH		A1 00779 C=2007435	
4. PLC ± 0.10		WEIGHT		SCALE N/A SHEET 9 OF 10 REV D2	
ANGLES ± 0.10		CUSTOMER DRAWING			

LOC		DIST		REVISIONS			
P	LTR	DESCRIPTION	DATE	DNW	APVD		
-	-	SEE SHEET 1	-	-	-	-	-



EMBOSS TAPE
FOR PART NUMBER 2007435-7

THIS DRAWING IS A CONTROLLED DOCUMENT.		DIN	STE TE Connectivity	
DIMENSIONS:	TOLERANCES UNLESS OTHERWISE SPECIFIED:	CHK	NAME	
mm	0. PLC ± 0.3	APVD	HDMI FLAG CONNECTOR ASSEMBLY	
	1. PLC ± 0.15	PRODUCT SPEC	-	
	2. PLC ± 0.10	APPLICATION SPEC	-	
	3. PLC ± 0.10	SIZE	A1	RESTRICTED TO
	4. PLC ± 0.10	WEIGHT	00779	-
MATERIAL	FINISH	CUSTOMER DRAWING	SCALE N/A	SHEET 10 OF 10 REV D2

Данный компонент на территории Российской Федерации

Вы можете приобрести в компании MosChip.

Для оперативного оформления запроса Вам необходимо перейти по данной ссылке:

<http://moschip.ru/get-element>

Вы можете разместить у нас заказ для любого Вашего проекта, будь то серийное производство или разработка единичного прибора.

В нашем ассортименте представлены ведущие мировые производители активных и пассивных электронных компонентов.

Нашей специализацией является поставка электронной компонентной базы двойного назначения, продукции таких производителей как XILINX, Intel (ex.ALTERA), Vicor, Microchip, Texas Instruments, Analog Devices, Mini-Circuits, Amphenol, Glenair.

Сотрудничество с глобальными дистрибьюторами электронных компонентов, предоставляет возможность заказывать и получать с международных складов практически любой перечень компонентов в оптимальные для Вас сроки.

На всех этапах разработки и производства наши партнеры могут получить квалифицированную поддержку опытных инженеров.

Система менеджмента качества компании отвечает требованиям в соответствии с ГОСТ Р ИСО 9001, ГОСТ РВ 0015-002 и ЭС РД 009

Офис по работе с юридическими лицами:

105318, г.Москва, ул.Щербаковская д.3, офис 1107, 1118, ДЦ «Щербаковский»

Телефон: +7 495 668-12-70 (многоканальный)

Факс: +7 495 668-12-70 (доб.304)

E-mail: info@moschip.ru

Skype отдела продаж:

moschip.ru

moschip.ru_4

moschip.ru_6

moschip.ru_9