

74ALVC125

Quad buffer/line driver; 3-state

Rev. 02 — 10 January 2008

Product data sheet

1. General description

The 74ALVC125 is a quad non-inverting buffer/line driver with 3-state outputs. The 3-state outputs (nY) are controlled by the output enable input (nOE). A HIGH on the nOE pin causes the outputs to assume a high-impedance OFF-state.

2. Features

- Wide supply voltage range from 1.65 V to 3.6 V
- 3.6 V tolerant inputs/outputs
- CMOS low power consumption
- Direct interface with TTL levels (2.7 V to 3.6 V)
- Power-down mode
- Latch-up performance exceeds 250 mA
- Complies with JEDEC standards:
 - ◆ JESD8-7 (1.65 V to 1.95 V)
 - ◆ JESD8-5 (2.3 V to 2.7 V)
 - ◆ JESD8B/JESD36 (2.7 V to 3.6 V)
- ESD protection:
 - ◆ HBM JESD22-A114E exceeds 2000 V
 - ◆ MM JESD22-A 115-A exceeds 200 V

3. Ordering information

Table 1. Ordering information

| Type number | Package | | | Version |
|-------------|-------------------|----------|--|----------|
| | Temperature range | Name | Description | |
| 74ALVC125D | −40 °C to +85 °C | SO14 | plastic small outline package; 14 leads; body width 3.9 mm | SOT108-1 |
| 74ALVC125PW | −40 °C to +85 °C | TSSOP14 | plastic thin shrink small outline package; 14 leads; body width 4.4 mm | SOT402-1 |
| 74ALVC125BQ | −40 °C to +85 °C | DHVQFN14 | plastic dual in-line compatible thermal enhanced very thin quad flat package; no leads; 14 terminals; body 2.5 × 3 × 0.85 mm | SOT762-1 |

4. Functional diagram

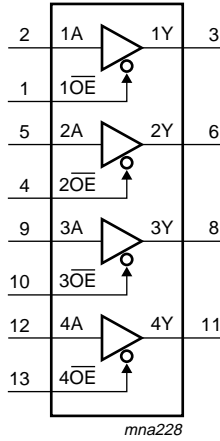


Fig 1. Logic symbol

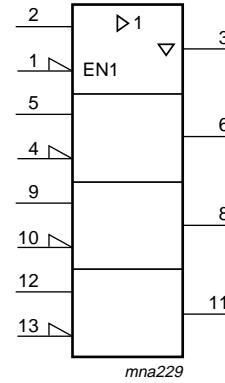


Fig 2. IEC logic symbol

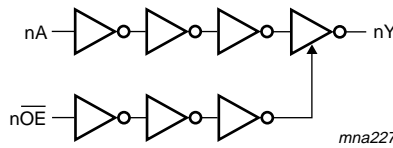


Fig 3. Logic diagram (one buffer)

5. Pinning information

5.1 Pinning

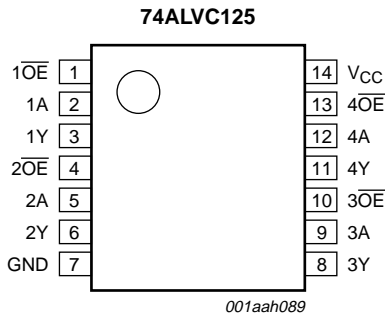
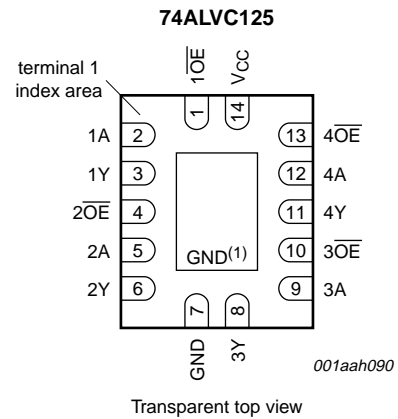


Fig 4. Pin configuration SO14 and TSSOP14



(1) The die substrate is attached to this pad using conductive die attach material. It can not be used as a supply pin or input.

Fig 5. Pin configuration DHVQFN14

5.2 Pin description

Table 2. Pin description

| Symbol | Pin | Description |
|--------------------------|--------------|----------------------------|
| nA | 2, 5, 9, 12 | data input |
| nY | 3, 6, 8, 11 | bus output |
| n $\overline{\text{OE}}$ | 1, 4, 10, 13 | output enable (active LOW) |
| V _{CC} | 14 | supply voltage |
| GND | 7 | ground (0 V) |

6. Functional description

Table 3. Function table^[1]

| Input | | Output | |
|--------------------------|----|--------|--|
| n $\overline{\text{OE}}$ | nA | nY | |
| L | L | L | |
| L | H | H | |
| H | X | Z | |

- [1] H = HIGH voltage level
 L = LOW voltage level
 X = don't care
 Z = high-impedance OFF-state

7. Limiting values

Table 4. Limiting values

In accordance with the Absolute Maximum Rating System (IEC 60134). Voltages are referenced to GND (ground = 0 V).

| Symbol | Parameter | Conditions | Min | Max | Unit |
|------------------|-------------------------|--|-------------|-----------------------|------|
| V _{CC} | supply voltage | | -0.5 | +4.6 | V |
| I _{IK} | input clamping current | V _I < 0 V | -50 | - | mA |
| V _I | input voltage | | [1] -0.5 | +4.6 | V |
| I _{OK} | output clamping current | V _O > V _{CC} or V _O < 0 V | - | ±50 | mA |
| V _O | output voltage | output HIGH or LOW state | [1][2] -0.5 | V _{CC} + 0.5 | V |
| | | output 3-state | -0.5 | +4.6 | V |
| | | Power-down mode, V _{CC} = 0 V | [2] -0.5 | +4.6 | V |
| I _O | output current | V _O = 0 V to V _{CC} | - | ±50 | mA |
| I _{CC} | supply current | | - | 100 | mA |
| I _{GND} | ground current | | -100 | - | mA |
| T _{stg} | storage temperature | | -65 | +150 | °C |
| P _{tot} | total power dissipation | T _{amb} = -40 °C to +85 °C | [3] - | 500 | mW |

- [1] The minimum input voltage ratings may be exceeded if the input current ratings are observed.
 [2] When V_{CC} = 0 V (Power-down mode), the output voltage can be 3.6 V in normal operation.
 [3] For SO14 packages: above 70 °C derate linearly with 8 mW/K.
 For TSSOP14 packages: above 60 °C derate linearly with 5.5 mW/K.
 For DHVQFN20 packages: above 60 °C derate linearly with 4.5 mW/K.

8. Recommended operating conditions

Table 5. Recommended operating conditions

| Symbol | Parameter | Conditions | Min | Max | Unit |
|---------------------|-------------------------------------|---------------------------------|------|----------|------|
| V_{CC} | supply voltage | | 1.65 | 3.6 | V |
| V_I | input voltage | | 0 | 3.6 | V |
| V_O | output voltage | output HIGH or LOW state | 0 | V_{CC} | V |
| | | output 3-state | 0 | 3.6 | V |
| | | Power-down mode; $V_{CC} = 0$ V | 0 | 3.6 | V |
| T_{amb} | ambient temperature | in free air | -40 | +85 | °C |
| $\Delta t/\Delta V$ | input transition rise and fall rate | $V_{CC} = 1.65$ V to 2.7 V | 0 | 20 | ns/V |
| | | $V_{CC} = 2.7$ V to 3.6 V | 0 | 10 | ns/V |

9. Static characteristics

Table 6. Static characteristics

At recommended operating conditions. Voltages are referenced to GND (ground = 0 V).

| Symbol | Parameter | Conditions | -40 °C to +85 °C | | | Unit |
|----------|---------------------------|--|----------------------|--------------------|----------------------|---------|
| | | | Min | Typ ^[1] | Max | |
| V_{IH} | HIGH-level input voltage | $V_{CC} = 1.65$ V to 1.95 V | $0.65 \times V_{CC}$ | - | - | V |
| | | $V_{CC} = 2.3$ V to 2.7 V | 1.7 | - | - | V |
| | | $V_{CC} = 2.7$ V to 3.6 V | 2.0 | - | - | V |
| V_{IL} | LOW-level input voltage | $V_{CC} = 1.65$ V to 1.95 V | - | - | $0.35 \times V_{CC}$ | V |
| | | $V_{CC} = 2.3$ V to 2.7 V | - | - | 0.7 | V |
| | | $V_{CC} = 2.7$ V to 3.6 V | - | - | 0.8 | V |
| V_{OH} | HIGH-level output voltage | $V_I = V_{IH}$ or V_{IL} | | | | |
| | | $I_O = -100$ μ A; $V_{CC} = 1.65$ V to 3.6 V | $V_{CC} - 0.2$ | - | - | V |
| | | $I_O = -6$ mA; $V_{CC} = 1.65$ V | 1.25 | 1.51 | - | V |
| | | $I_O = -12$ mA; $V_{CC} = 2.3$ V | 1.8 | 2.10 | - | V |
| | | $I_O = -18$ mA; $V_{CC} = 2.3$ V | 1.7 | 2.01 | - | V |
| | | $I_O = -12$ mA; $V_{CC} = 2.7$ V | 2.2 | 2.53 | - | V |
| | | $I_O = -18$ mA; $V_{CC} = 3.0$ V | 2.4 | 2.76 | - | V |
| | | $I_O = -24$ mA; $V_{CC} = 3.0$ V | 2.2 | 2.68 | - | V |
| V_{OL} | LOW-level output voltage | $V_I = V_{IH}$ or V_{IL} | | | | |
| | | $I_O = 100$ μ A; $V_{CC} = 1.65$ V to 3.6 V | - | - | 0.2 | V |
| | | $I_O = 6$ mA; $V_{CC} = 1.65$ V | - | 0.11 | 0.3 | V |
| | | $I_O = 12$ mA; $V_{CC} = 2.3$ V | - | 0.17 | 0.4 | V |
| | | $I_O = 18$ mA; $V_{CC} = 2.3$ V | - | 0.25 | 0.6 | V |
| | | $I_O = 12$ mA; $V_{CC} = 2.7$ V | - | 0.16 | 0.4 | V |
| | | $I_O = 18$ mA; $V_{CC} = 3.0$ V | - | 0.23 | 0.4 | V |
| | | $I_O = 24$ mA; $V_{CC} = 3.0$ V | - | 0.30 | 0.55 | V |
| I_I | input leakage current | $V_{CC} = 3.6$ V; $V_I = 3.6$ V or GND | - | ± 0.1 | ± 5 | μ A |

Table 6. Static characteristics ...continued

At recommended operating conditions. Voltages are referenced to GND (ground = 0 V).

| Symbol | Parameter | Conditions | -40 °C to +85 °C | | | Unit |
|-----------------|---------------------------|---|------------------|--------------------|----------|---------|
| | | | Min | Typ ^[1] | Max | |
| I_{OZ} | OFF-state output current | $V_I = V_{IH}$ or V_{IL} ; $V_{CC} = 1.65$ V to 3.6 V; $V_O = 3.6$ V or GND; | - | ± 0.1 | ± 10 | μ A |
| I_{OFF} | power-off leakage current | $V_{CC} = 0$ V; V_I or $V_O = 0$ V to 3.6 V | - | ± 0.1 | ± 10 | μ A |
| I_{CC} | supply current | $V_{CC} = 3.6$ V; $V_I = V_{CC}$ or GND; $I_O = 0$ A | - | 0.2 | 10 | μ A |
| ΔI_{CC} | additional supply current | per input pin; $V_{CC} = 3.0$ V to 3.6 V; $V_I = V_{CC} - 0.6$ V; $I_O = 0$ A | - | 5 | 750 | μ A |
| C_I | input capacitance | | - | 3.5 | - | pF |

[1] All typical values are measured at $V_{CC} = 3.3$ V (unless stated otherwise) and $T_{amb} = 25$ °C.

10. Dynamic characteristics

Table 7. Dynamic characteristicsVoltages are referenced to GND (ground = 0 V). For test circuit see [Figure 8](#).

| Symbol | Parameter | Conditions | -40 °C to +85 °C | | | Unit |
|-----------|-------------------|--|------------------|--------------------|-----|------|
| | | | Min | Typ ^[1] | Max | |
| t_{pd} | propagation delay | nA to nY; see Figure 6 ^[2] | | | | |
| | | $V_{CC} = 1.65$ V to 1.95 V | 1.3 | 2.4 | 5.3 | ns |
| | | $V_{CC} = 2.3$ V to 2.7 V | 1.0 | 1.7 | 3.2 | ns |
| | | $V_{CC} = 2.7$ V | - | 2.0 | 3.1 | ns |
| t_{en} | enable time | $V_{CC} = 3.0$ V to 3.6 V | 1.1 | 1.8 | 2.8 | ns |
| | | n \overline{OE} to nY; see Figure 7 ^[2] | | | | |
| | | $V_{CC} = 1.65$ V to 1.95 V | 1.4 | 3.9 | 6.4 | ns |
| | | $V_{CC} = 2.3$ V to 2.7 V | 1.0 | 2.2 | 4.1 | ns |
| t_{dis} | disable time | $V_{CC} = 2.7$ V | - | 2.7 | 4.3 | ns |
| | | $V_{CC} = 3.0$ V to 3.6 V | 1.0 | 1.9 | 3.5 | ns |
| | | n \overline{OE} to nY; see Figure 7 ^[2] | | | | |
| | | $V_{CC} = 1.65$ V to 1.95 V | 1.8 | 3.9 | 5.9 | ns |
| | | $V_{CC} = 2.3$ V to 2.7 V | 1.0 | 2.1 | 3.4 | ns |
| | | $V_{CC} = 2.7$ V | - | 2.9 | 4.0 | ns |
| | | $V_{CC} = 3.0$ V to 3.6 V | 1.4 | 2.7 | 4.0 | ns |
| | | | | | | |

Table 7. Dynamic characteristics ...continued

Voltages are referenced to GND (ground = 0 V). For test circuit see [Figure 8](#).

| Symbol | Parameter | Conditions | -40 °C to +85 °C | | | Unit |
|-----------------|-------------------------------|--|------------------|--------------------|-----|------|
| | | | Min | Typ ^[1] | Max | |
| C _{PD} | power dissipation capacitance | per buffer; V _I = GND to V _{CC} ; V _{CC} = 3.3 V ^[3] | | | | |
| | | outputs HIGH or LOW state | - | 27 | - | pF |
| | | outputs 3-state | - | 5 | - | pF |

[1] Typical values are measured at T_{amb} = 25 °C

[2] t_{pd} is the same as t_{PHL} and t_{PLH}.

t_{en} is the same as t_{PZH} and t_{PZL}.

t_{dis} is the same as t_{PHZ} and t_{PLZ}.

[3] C_{PD} is used to determine the dynamic power dissipation (P_D in μW).

$P_D = C_{PD} \times V_{CC}^2 \times f_i \times N + \Sigma(C_L \times V_{CC}^2 \times f_o)$ where:

f_i = input frequency in MHz; f_o = output frequency in MHz

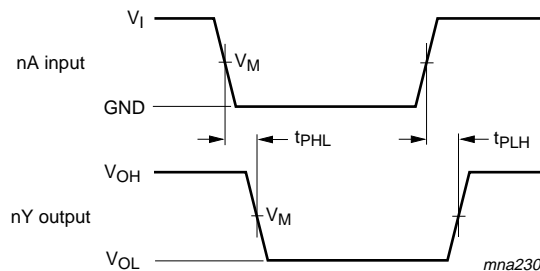
C_L = output load capacitance in pF

V_{CC} = supply voltage in Volts

N = number of inputs switching

Σ(C_L × V_{CC}² × f_o) = sum of the outputs

11. Waveforms



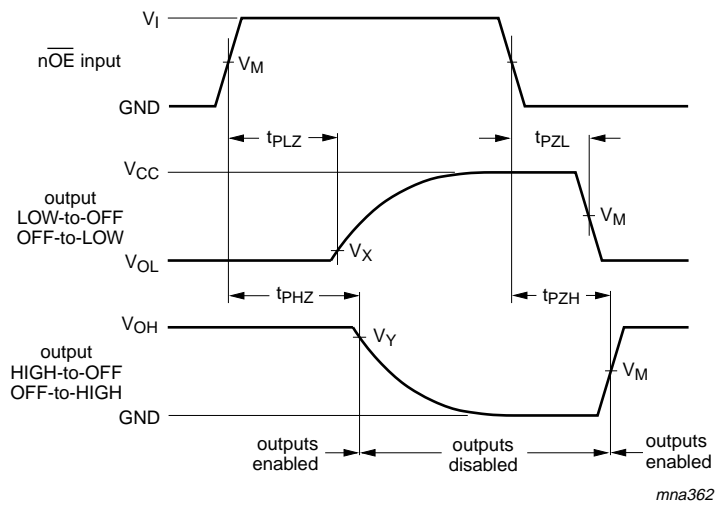
Measurement points are given in [Table 8](#).

V_{OL} and V_{OH} are the typical output voltage levels that occur with the output load.

Fig 6. Input nA to output nY propagation delay times

Table 8. Measurement points

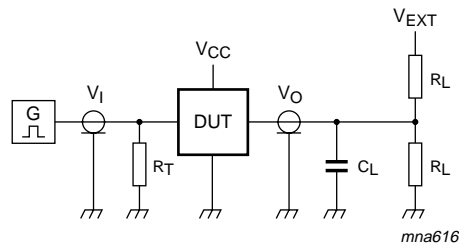
| Supply voltage | Input | Output | | |
|------------------|--------------------|--------------------|--------------------------|--------------------------|
| V _{CC} | V _M | V _M | V _X | V _Y |
| 1.65 V to 1.95 V | 0.5V _{CC} | 0.5V _{CC} | V _{OL} + 0.15 V | V _{OH} - 0.15 V |
| 2.3 V to 2.7 V | 0.5V _{CC} | 0.5V _{CC} | V _{OL} + 0.15 V | V _{OH} - 0.15 V |
| 2.7 V | 1.5 V | 1.5 V | V _{OL} + 0.3 V | V _{OH} - 0.3 V |
| 3.0 V to 3.6 V | 1.5 V | 1.5 V | V _{OL} + 0.3 V | V _{OH} - 0.3 V |



Measurement points are given in [Table 8](#).

V_{OL} and V_{OH} are the typical output voltage levels that occur with the output load.

Fig 7. Enable and disable times



Test data is given in [Table 9](#).

Definitions for test circuit:

R_L = Load resistance.

C_L = Load capacitance including jig and probe capacitance.

R_T = Termination resistance should be equal to output impedance Z_o of the pulse generator.

V_{EXT} = External voltage for measuring switching times.

Fig 8. Test circuitry for switching times

Table 9. Test data

| Supply voltage | Input | | Load | | V_{EXT} | | |
|------------------|----------|---------------|-------|--------------|--------------------|--------------------|--------------------|
| | V_I | t_r, t_f | C_L | R_L | t_{PLH}, t_{PHL} | t_{PLZ}, t_{PZL} | t_{PHZ}, t_{PZH} |
| 1.65 V to 1.95 V | V_{CC} | ≤ 2.0 ns | 30 pF | 1 k Ω | open | $2 \times V_{CC}$ | GND |
| 2.3 V to 2.7 V | V_{CC} | ≤ 2.0 ns | 30 pF | 500 Ω | open | $2 \times V_{CC}$ | GND |
| 2.7 V | 2.7 V | ≤ 2.5 ns | 50 pF | 500 Ω | open | 6 V | GND |
| 3.0 V to 3.6 V | 2.7 V | ≤ 2.5 ns | 50 pF | 500 Ω | open | 6 V | GND |

12. Package outline

SO14: plastic small outline package; 14 leads; body width 3.9 mm

SOT108-1

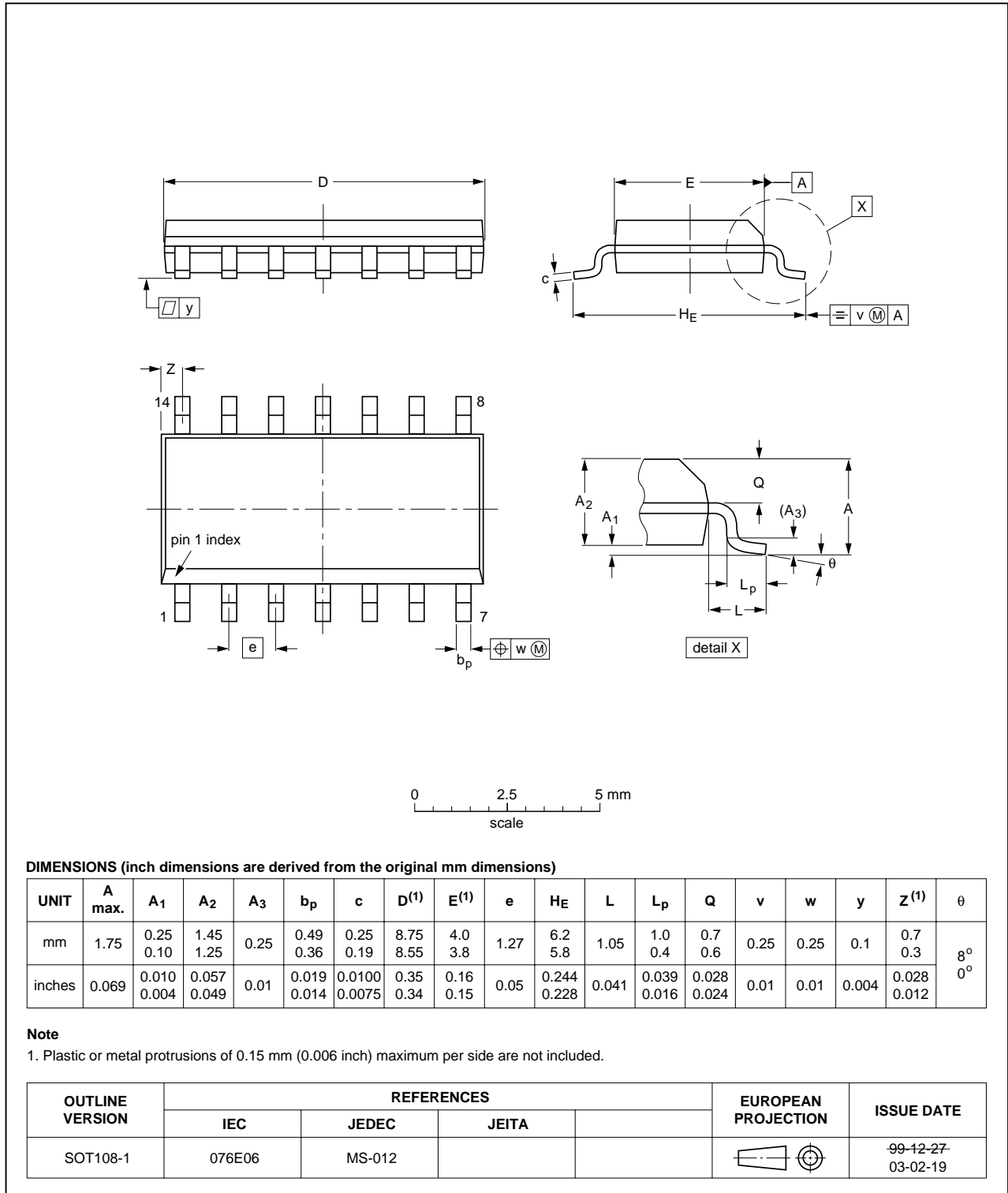


Fig 9. Package outline SOT108-1 (SO14)

TSSOP14: plastic thin shrink small outline package; 14 leads; body width 4.4 mm

SOT402-1

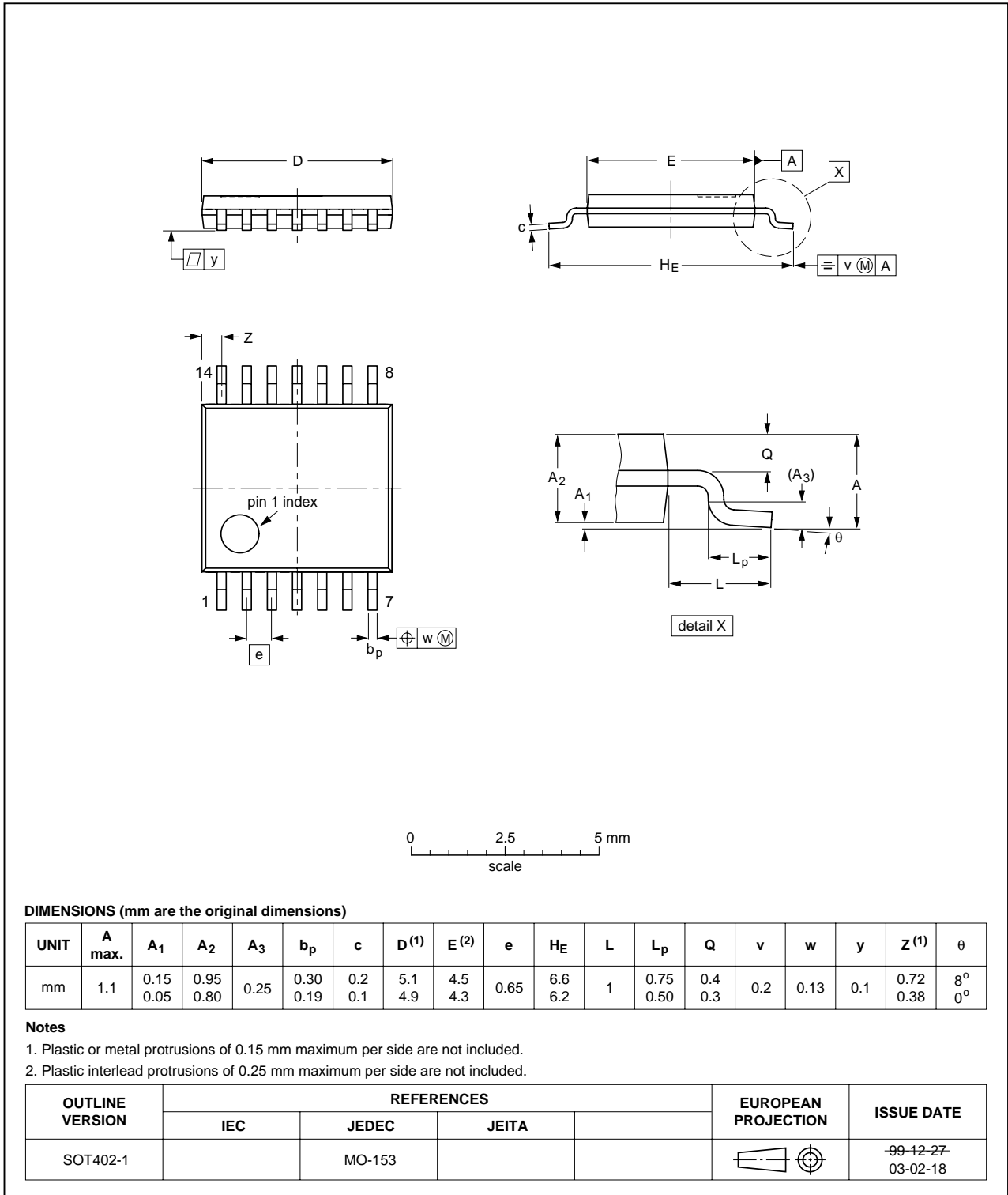


Fig 10. Package outline SOT402-1 (TSSOP14)

DHVQFN14: plastic dual in-line compatible thermal enhanced very thin quad flat package; no leads; 14 terminals; body 2.5 x 3 x 0.85 mm

SOT762-1

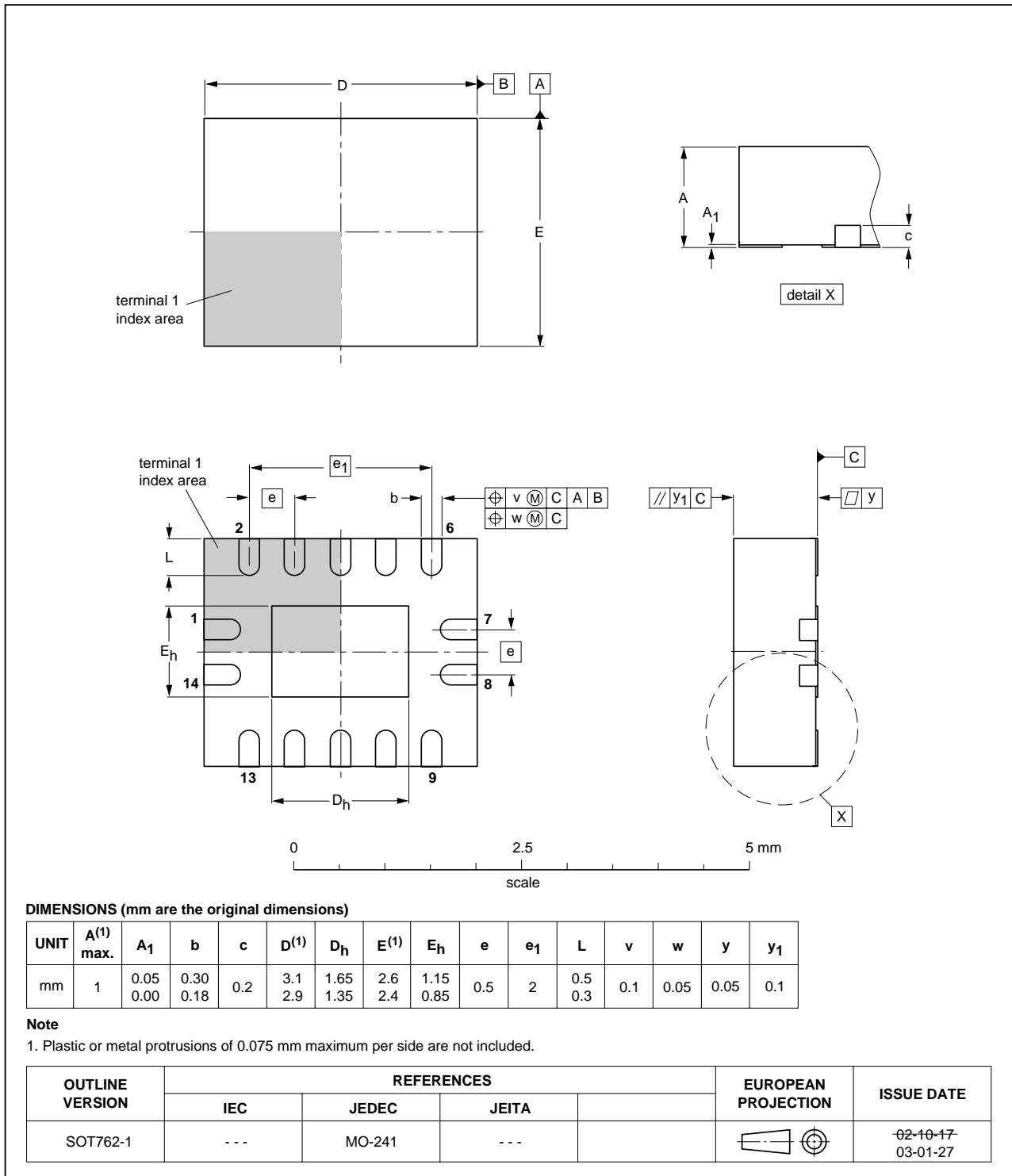


Fig 11. Package outline SOT762-1 (DHVQFN14)

13. Abbreviations

Table 10. Abbreviations

| Acronym | Description |
|---------|-----------------------------|
| CDM | Charged-Device Model |
| DUT | Device Under Test |
| ESD | ElectroStatic Discharge |
| HBM | Human Body Model |
| MM | Machine Model |
| TTL | Transistor-Transistor Logic |

14. Revision history

Table 11. Revision history

| Document ID | Release date | Data sheet status | Change notice | Supersedes |
|----------------|--|-----------------------|---------------|-------------|
| 74ALVC125_2 | 20080110 | Product data sheet | - | 74ALVC125_1 |
| Modifications: | <ul style="list-style-type: none"> • The format of this data sheet has been redesigned to comply with the new identity guidelines of NXP Semiconductors. • Legal texts have been adapted to the new company name where appropriate. • Section 3: DHVQFN14 package added. • Section 7: derating values added for DHVQFN14 package. • Section 12: outline drawing added for DHVQFN14 package. | | | |
| 74ALVC125_1 | 20021118 | Product specification | - | - |

15. Legal information

15.1 Data sheet status

| Document status ^{[1][2]} | Product status ^[3] | Definition |
|-----------------------------------|-------------------------------|---|
| Objective [short] data sheet | Development | This document contains data from the objective specification for product development. |
| Preliminary [short] data sheet | Qualification | This document contains data from the preliminary specification. |
| Product [short] data sheet | Production | This document contains the product specification. |

[1] Please consult the most recently issued document before initiating or completing a design.

[2] The term 'short data sheet' is explained in section "Definitions".

[3] The product status of device(s) described in this document may have changed since this document was published and may differ in case of multiple devices. The latest product status information is available on the Internet at URL <http://www.nexperia.com>.

15.2 Definitions

Draft — The document is a draft version only. The content is still under internal review and subject to formal approval, which may result in modifications or additions. Nexperia does not give any representations or warranties as to the accuracy or completeness of information included herein and shall have no liability for the consequences of use of such information.

Short data sheet — A short data sheet is an extract from a full data sheet with the same product type number(s) and title. A short data sheet is intended for quick reference only and should not be relied upon to contain detailed and full information. For detailed and full information see the relevant full data sheet, which is available on request via the local Nexperia sales office. In case of any inconsistency or conflict with the short data sheet, the full data sheet shall prevail.

15.3 Disclaimers

General — Information in this document is believed to be accurate and reliable. However, Nexperia does not give any representations or warranties, expressed or implied, as to the accuracy or completeness of such information and shall have no liability for the consequences of use of such information.

Right to make changes — Nexperia reserves the right to make changes to information published in this document, including without limitation specifications and product descriptions, at any time and without notice. This document supersedes and replaces all information supplied prior to the publication hereof.

Suitability for use — Nexperia products are not designed, authorized or warranted to be suitable for use in medical, military, aircraft, space or life support equipment, nor in applications where failure or

malfunction of a Nexperia product can reasonably be expected to result in personal injury, death or severe property or environmental damage. Nexperia accepts no liability for inclusion and/or use of Nexperia products in such equipment or applications and therefore such inclusion and/or use is at the customer's own risk.

Applications — Applications that are described herein for any of these products are for illustrative purposes only. Nexperia makes no representation or warranty that such applications will be suitable for the specified use without further testing or modification.

Limiting values — Stress above one or more limiting values (as defined in the Absolute Maximum Ratings System of IEC 60134) may cause permanent damage to the device. Limiting values are stress ratings only and operation of the device at these or any other conditions above those given in the Characteristics sections of this document is not implied. Exposure to limiting values for extended periods may affect device reliability.

Terms and conditions of sale — Nexperia products are sold subject to the general terms and conditions of commercial sale, as published at <http://www.nexperia.com/profile/terms>, including those pertaining to warranty, intellectual property rights infringement and limitation of liability, unless explicitly otherwise agreed to in writing by Nexperia. In case of any inconsistency or conflict between information in this document and such terms and conditions, the latter will prevail.

No offer to sell or license — Nothing in this document may be interpreted or construed as an offer to sell products that is open for acceptance or the grant, conveyance or implication of any license under any copyrights, patents or other industrial or intellectual property rights.

15.4 Trademarks

Notice: All referenced brands, product names, service names and trademarks are the property of their respective owners.

16. Contact information

For additional information, please visit: <http://www.nexperia.com>

For sales office addresses, send an email to: salesaddresses@nexperia.com

17. Contents

| | | |
|-----------|---|-----------|
| 1 | General description | 1 |
| 2 | Features | 1 |
| 3 | Ordering information | 1 |
| 4 | Functional diagram | 2 |
| 5 | Pinning information | 2 |
| 5.1 | Pinning | 2 |
| 5.2 | Pin description | 3 |
| 6 | Functional description | 3 |
| 7 | Limiting values | 3 |
| 8 | Recommended operating conditions | 4 |
| 9 | Static characteristics | 4 |
| 10 | Dynamic characteristics | 5 |
| 11 | Waveforms | 6 |
| 12 | Package outline | 8 |
| 13 | Abbreviations | 11 |
| 14 | Revision history | 11 |
| 15 | Legal information | 12 |
| 15.1 | Data sheet status | 12 |
| 15.2 | Definitions | 12 |
| 15.3 | Disclaimers | 12 |
| 15.4 | Trademarks | 12 |
| 16 | Contact information | 12 |
| 17 | Contents | 13 |

Данный компонент на территории Российской Федерации

Вы можете приобрести в компании MosChip.

Для оперативного оформления запроса Вам необходимо перейти по данной ссылке:

<http://moschip.ru/get-element>

Вы можете разместить у нас заказ для любого Вашего проекта, будь то серийное производство или разработка единичного прибора.

В нашем ассортименте представлены ведущие мировые производители активных и пассивных электронных компонентов.

Нашей специализацией является поставка электронной компонентной базы двойного назначения, продукции таких производителей как XILINX, Intel (ex.ALTERA), Vicor, Microchip, Texas Instruments, Analog Devices, Mini-Circuits, Amphenol, Glenair.

Сотрудничество с глобальными дистрибьюторами электронных компонентов, предоставляет возможность заказывать и получать с международных складов практически любой перечень компонентов в оптимальные для Вас сроки.

На всех этапах разработки и производства наши партнеры могут получить квалифицированную поддержку опытных инженеров.

Система менеджмента качества компании отвечает требованиям в соответствии с ГОСТ Р ИСО 9001, ГОСТ РВ 0015-002 и ЭС РД 009

Офис по работе с юридическими лицами:

105318, г.Москва, ул.Щербаковская д.3, офис 1107, 1118, ДЦ «Щербаковский»

Телефон: +7 495 668-12-70 (многоканальный)

Факс: +7 495 668-12-70 (доб.304)

E-mail: info@moschip.ru

Skype отдела продаж:

moschip.ru

moschip.ru_4

moschip.ru_6

moschip.ru_9