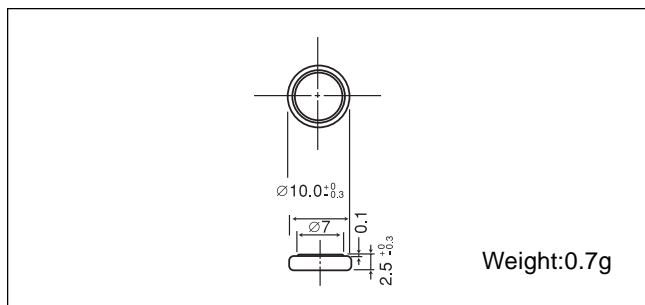


Manganese Dioxide Lithium Coin Batteries: Individual Specifications

CR1025

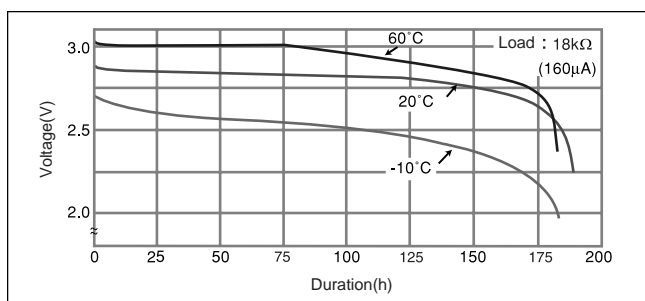
■ Dimensions(mm)



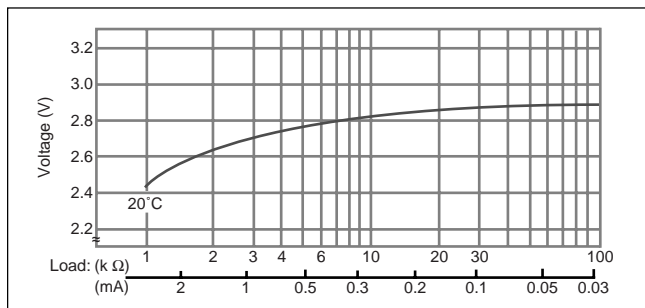
■ Specification

Nominal voltage (V)	3
Nominal capacity (mAh)	30
Continuous standard load (mA)	0.1
Operating temperature (C)	-30 ~ +60

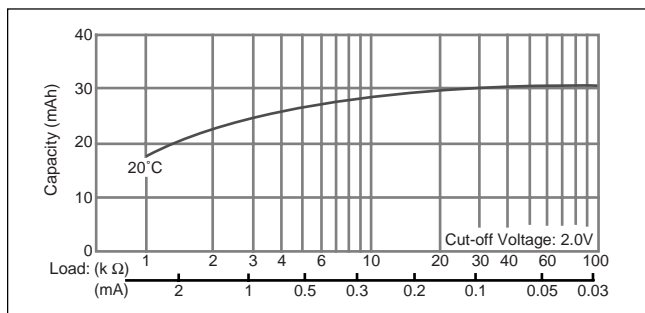
■ Temperature Characteristics



■ Operating voltage vs. load resistance (voltage at 50% discharge depth)

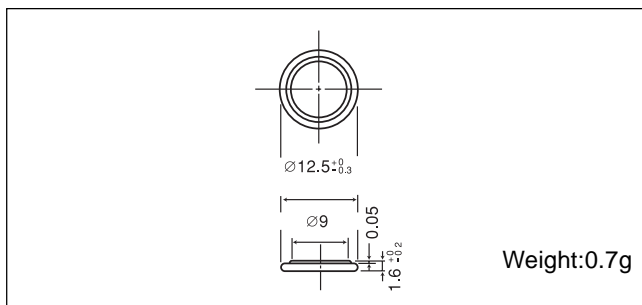


■ Capacity vs. load resistance



CR1216

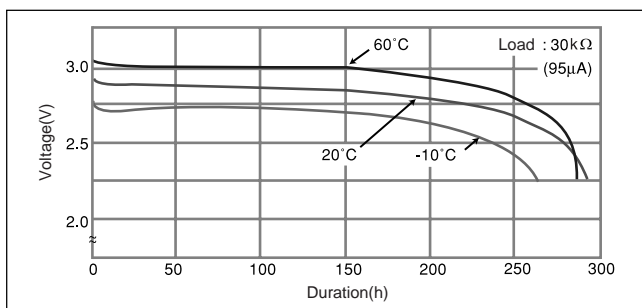
■ Dimensions(mm)



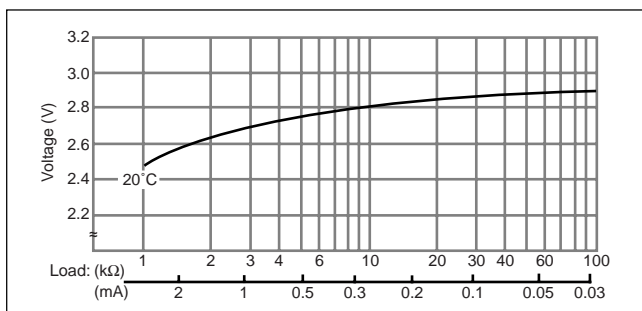
■ Specification

Nominal voltage (V)	3
Nominal capacity (mAh)	25
Continuous standard load (mA)	0.1
Operating temperature (C)	-30 ~ +60

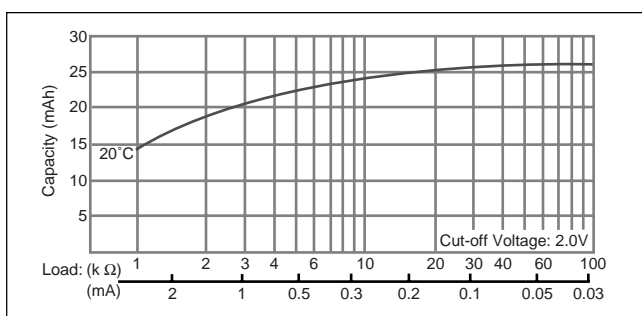
■ Temperature Characteristics



■ Operating voltage vs. load resistance (voltage at 50% discharge depth)



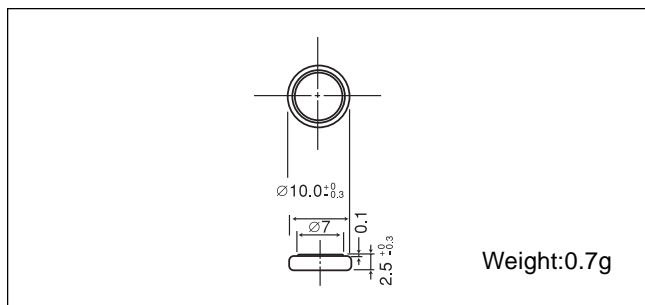
■ Capacity vs. load resistance



Manganese Dioxide Lithium Coin Batteries: Individual Specifications

CR1025

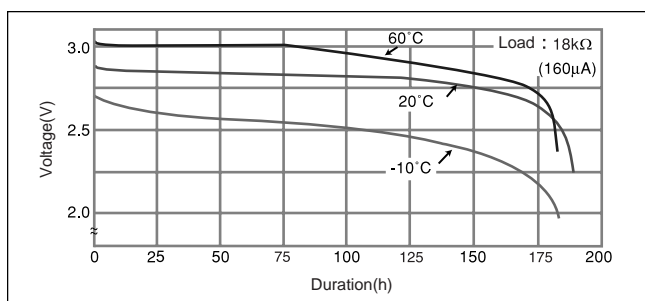
■ Dimensions(mm)



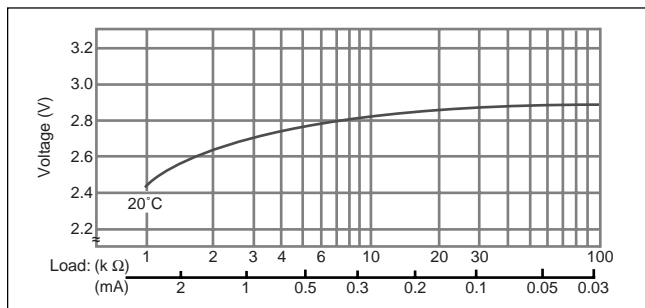
■ Specification

Nominal voltage (V)	3
Nominal capacity (mAh)	30
Continuous standard load (mA)	0.1
Operating temperature (C)	-30 ~ +60

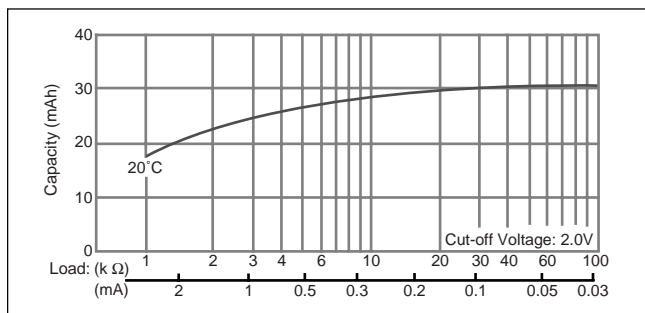
■ Temperature Characteristics



■ Operating voltage vs. load resistance (voltage at 50% discharge depth)

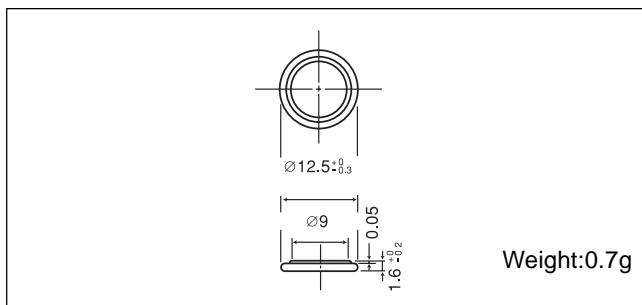


■ Capacity vs. load resistance



CR1216

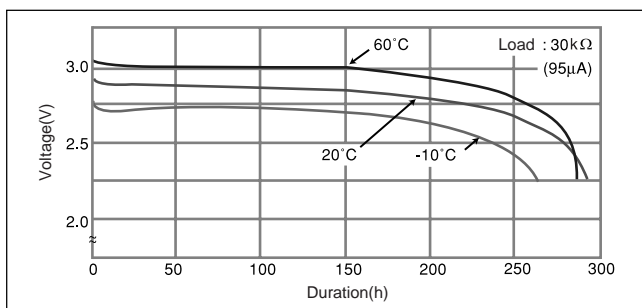
■ Dimensions(mm)



■ Specification

Nominal voltage (V)	3
Nominal capacity (mAh)	25
Continuous standard load (mA)	0.1
Operating temperature (C)	-30 ~ +60

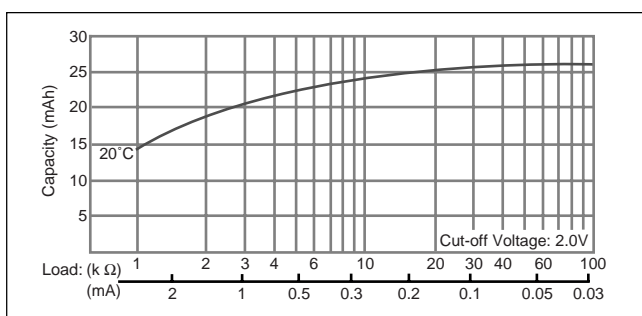
■ Temperature Characteristics



■ Operating voltage vs. load resistance (voltage at 50% discharge depth)



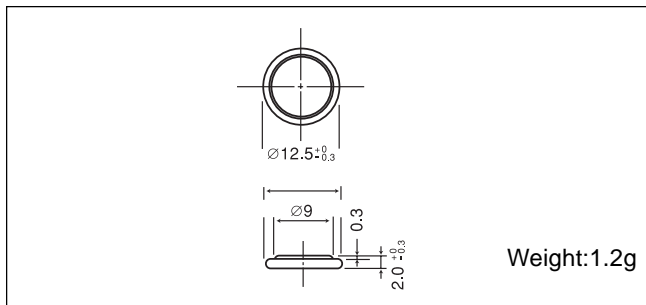
■ Capacity vs. load resistance



Manganese Dioxide Lithium Coin Batteries: Individual Specifications

CR1220

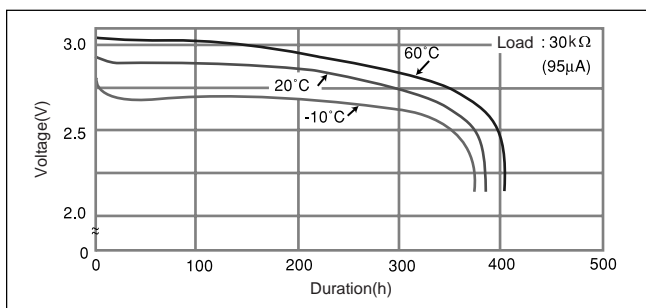
■ Dimensions(mm)



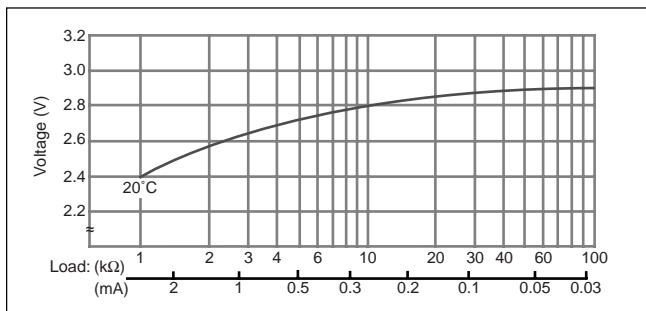
■ Specification

Nominal voltage (V)	3
Nominal capacity (mAh)	35
Continuous standard load (mA)	0.1
Operating temperature (C)	-30 ~ +60

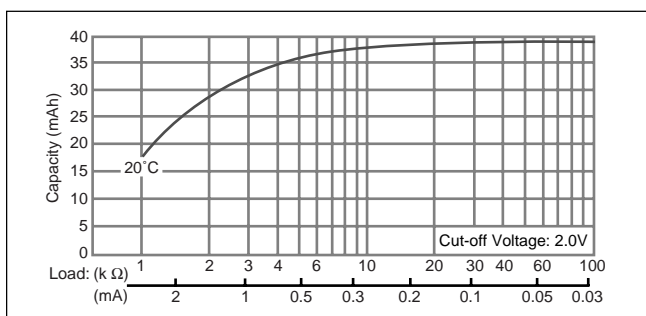
■ Temperature Characteristics



■ Operating voltage vs. load resistance (voltage at 50% discharge depth)

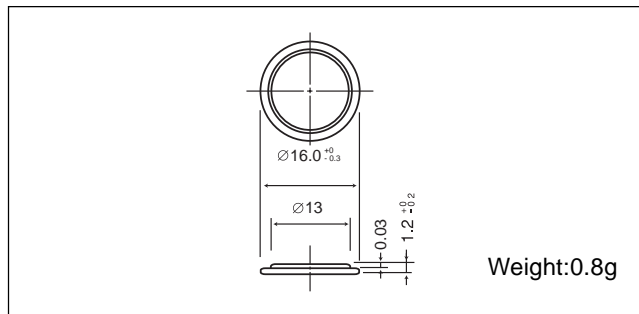


■ Capacity vs. load resistance



CR1612

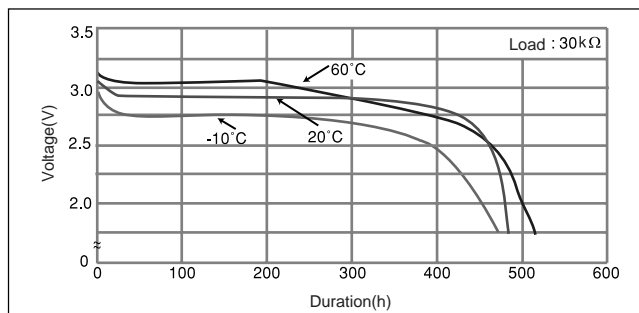
■ Dimensions(mm)



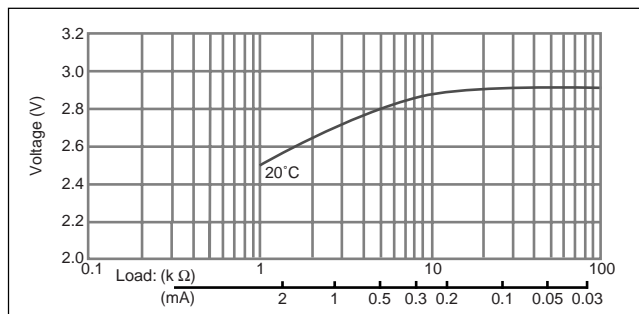
■ Specification

Nominal voltage (V)	3
Nominal capacity (mAh)	40
Continuous standard load (mA)	0.1
Operating temperature (C)	-30 ~ +60

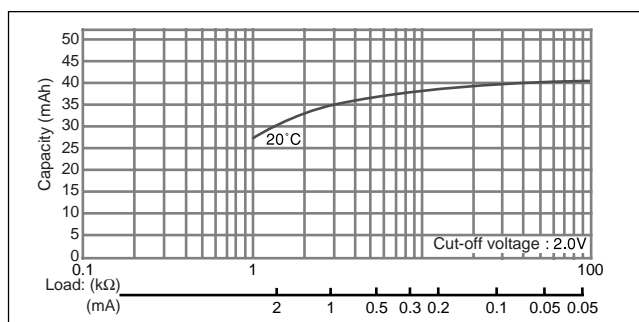
■ Temperature Characteristics



■ Operating voltage vs. load resistance (voltage at 50% discharge depth)



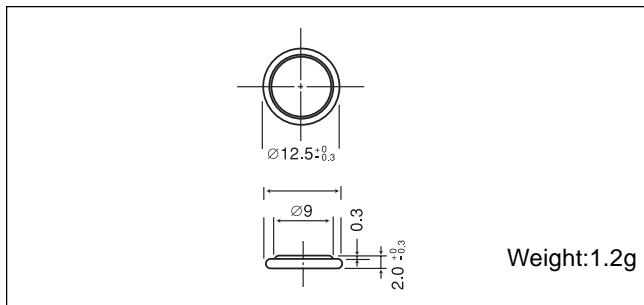
■ Capacity vs. load resistance



Manganese Dioxide Lithium Coin Batteries: Individual Specifications

CR1220

■ Dimensions(mm)



■ Specification

Nominal voltage (V)	3
Nominal capacity (mAh)	35
Continuous standard load (mA)	0.1
Operating temperature (C)	-30 ~ +60

■ Temperature Characteristics



■ Operating voltage vs. load resistance (voltage at 50% discharge depth)



■ Capacity vs. load resistance



CR1612

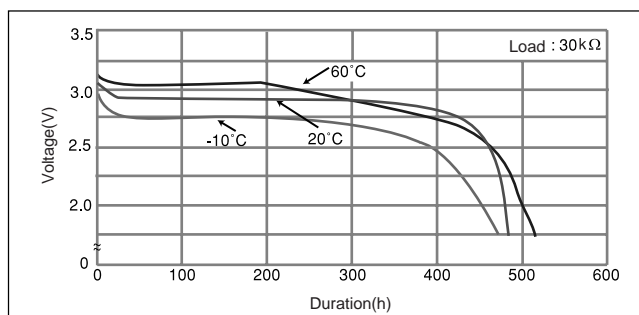
■ Dimensions(mm)



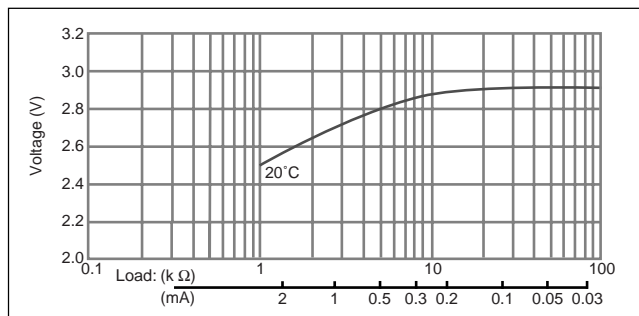
■ Specification

Nominal voltage (V)	3
Nominal capacity (mAh)	40
Continuous standard load (mA)	0.1
Operating temperature (C)	-30 ~ +60

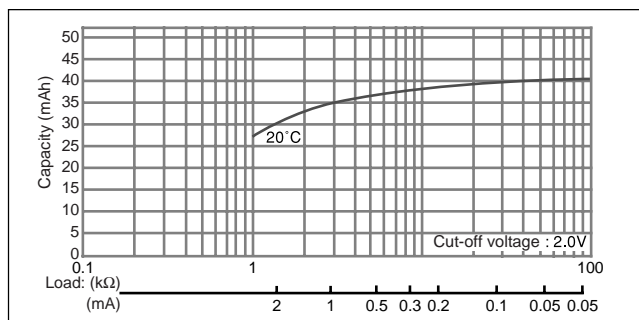
■ Temperature Characteristics



■ Operating voltage vs. load resistance (voltage at 50% discharge depth)



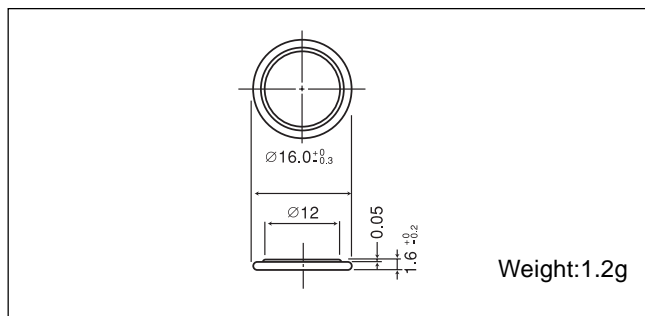
■ Capacity vs. load resistance



Manganese Dioxide Lithium Coin Batteries: Individual Specifications

CR1616

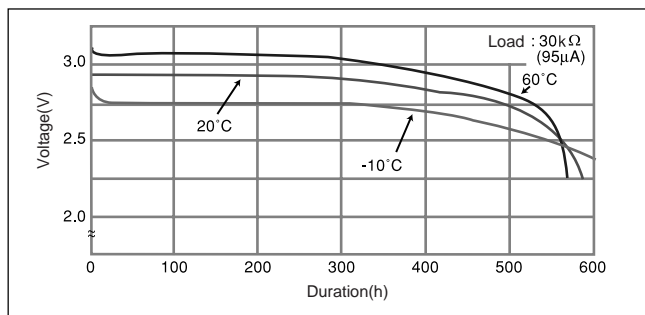
■ Dimensions(mm)



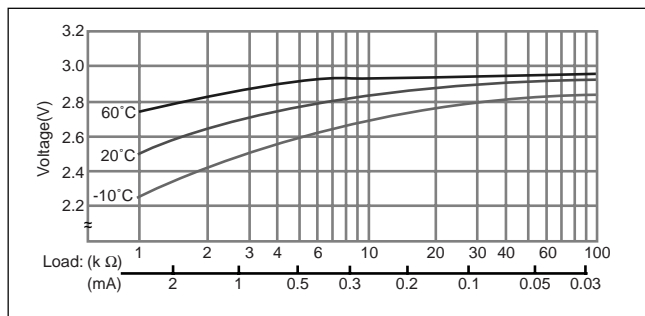
■ Specification

Nominal voltage (V)	3
Nominal capacity (mAh)	55
Continuous standard load (mA)	0.1
Operating temperature (C)	-30 ~ +60

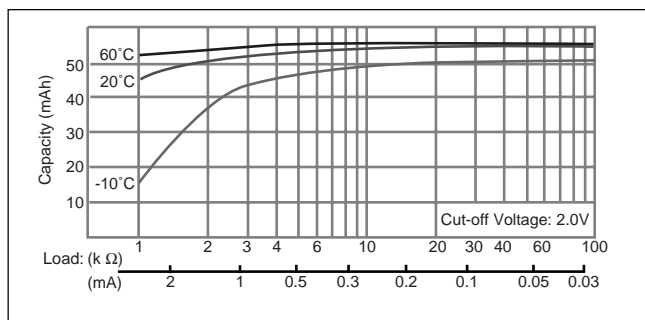
■ Temperature Characteristics



■ Operating voltage vs. load resistance (voltage at 50% discharge depth)

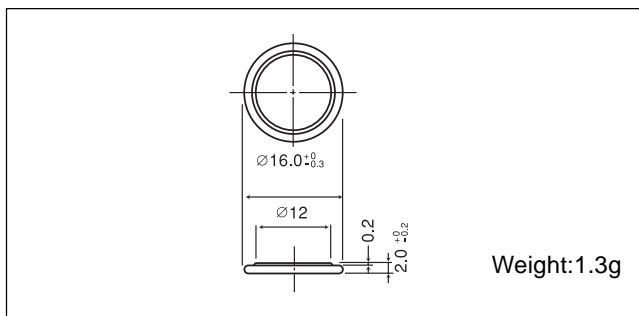


■ Capacity vs. load resistance



CR1620

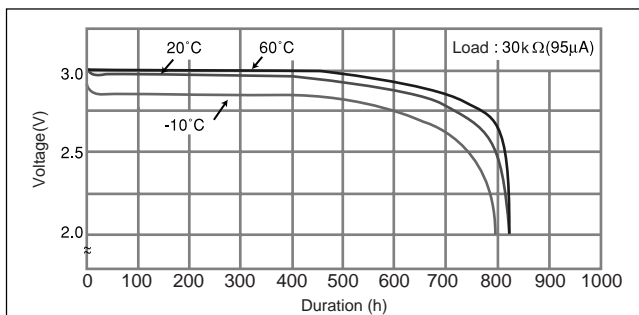
■ Dimensions(mm)



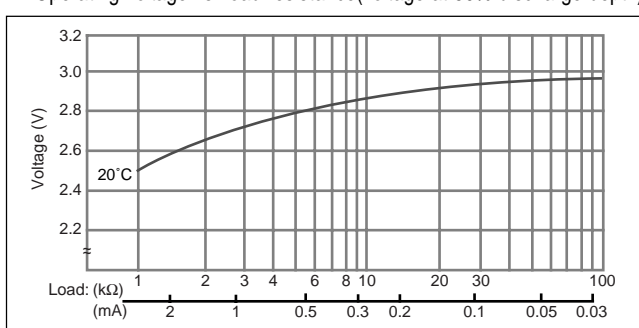
■ Specification

Nominal voltage (V)	3
Nominal capacity (mAh)	75
Continuous standard load (mA)	0.1
Operating temperature (C)	-30 ~ +60

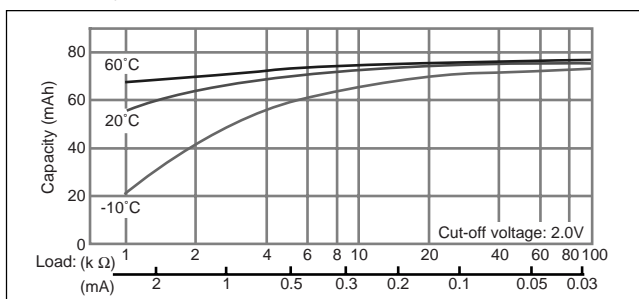
■ Temperature Characteristics



■ Operating voltage vs. load resistance (voltage at 50% discharge depth)



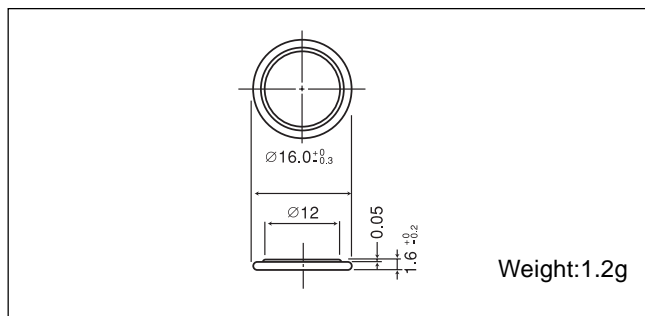
■ Capacity vs. load resistance



Manganese Dioxide Lithium Coin Batteries: Individual Specifications

CR1616

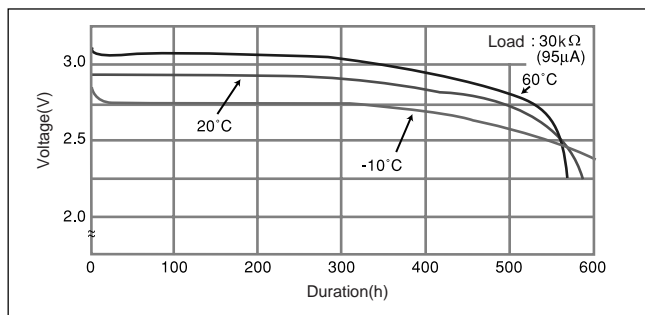
■ Dimensions(mm)



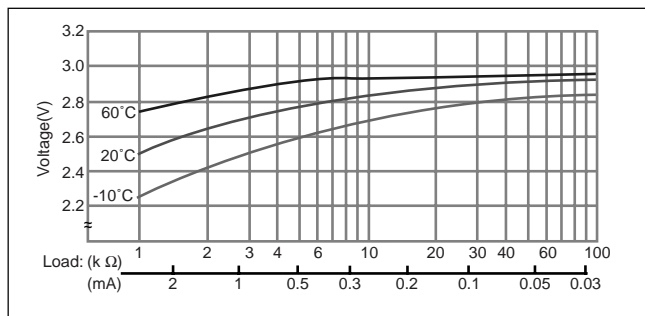
■ Specification

Nominal voltage (V)	3
Nominal capacity (mAh)	55
Continuous standard load (mA)	0.1
Operating temperature (C)	-30 ~ +60

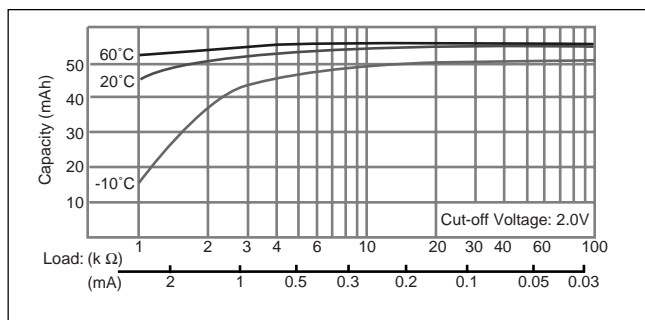
■ Temperature Characteristics



■ Operating voltage vs. load resistance (voltage at 50% discharge depth)

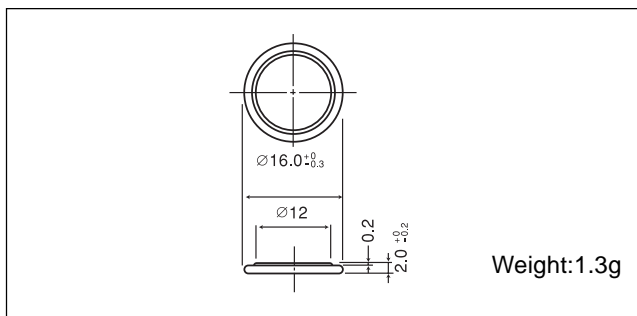


■ Capacity vs. load resistance



CR1620

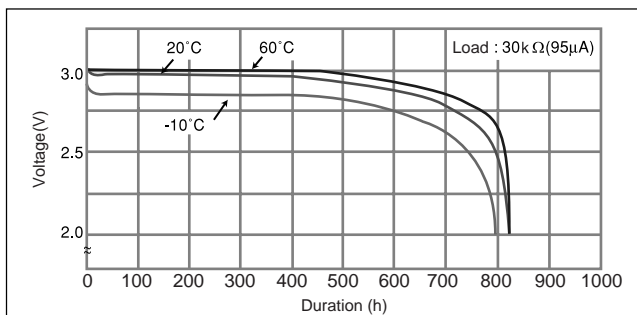
■ Dimensions(mm)



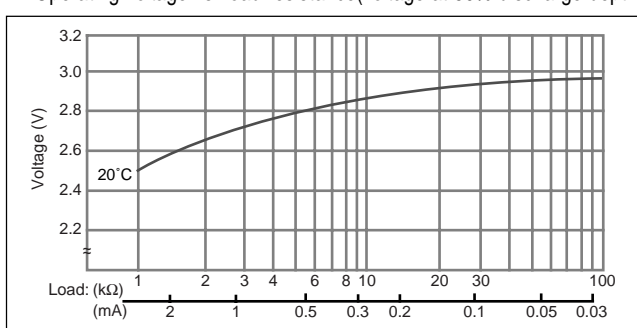
■ Specification

Nominal voltage (V)	3
Nominal capacity (mAh)	75
Continuous standard load (mA)	0.1
Operating temperature (C)	-30 ~ +60

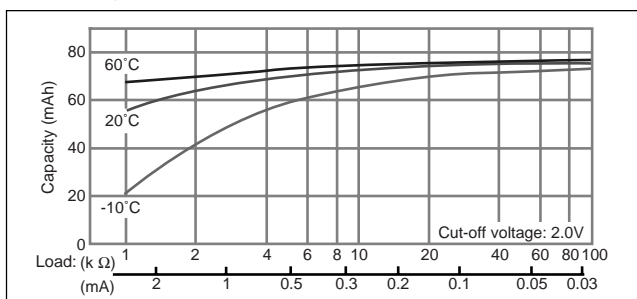
■ Temperature Characteristics



■ Operating voltage vs. load resistance (voltage at 50% discharge depth)



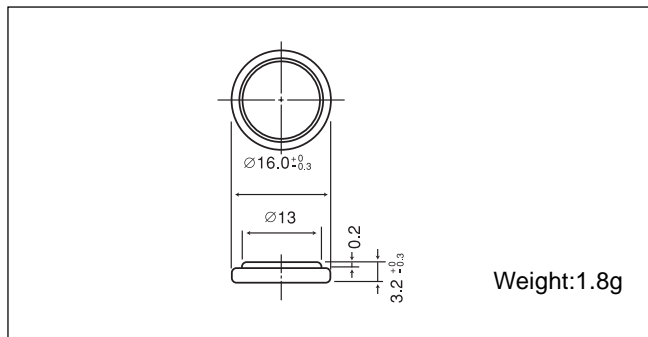
■ Capacity vs. load resistance



Manganese Dioxide Lithium Coin Batteries: Individual Specifications

CR1632

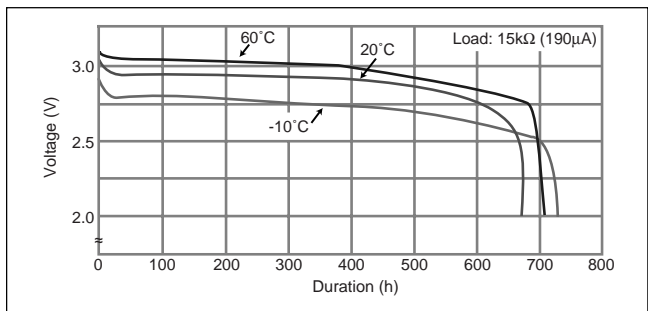
■ Dimensions(mm)



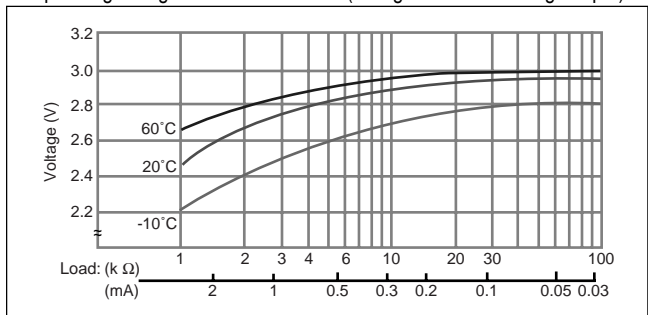
■ Specification

Nominal voltage (V)	3
Nominal capacity (mAh)	140
Continuous standard load (mA)	0.1
Operating temperature (C)	-30 ~ +60

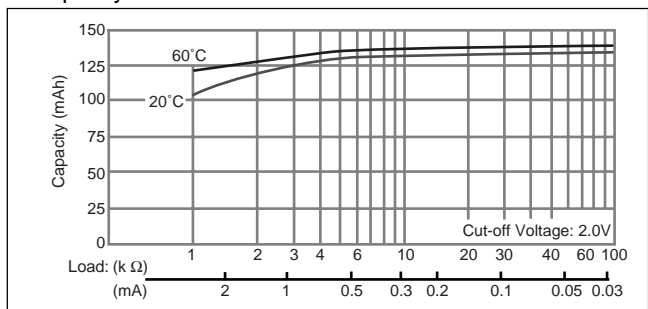
■ Temperature Characteristics



■ Operating voltage vs. load resistance (voltage at 50% discharge depth)



■ Capacity vs. load resistance



CR2012

■ Dimensions(mm)



■ Specification

Nominal voltage (V)	3
Nominal capacity (mAh)	55
Continuous standard load (mA)	0.1
Operating temperature (C)	-30 ~ +60

■ Temperature Characteristics



■ Operating voltage vs. load resistance (voltage at 50% discharge depth)



■ Capacity vs. load resistance



Manganese Dioxide Lithium Coin Batteries: Individual Specifications

CR2016

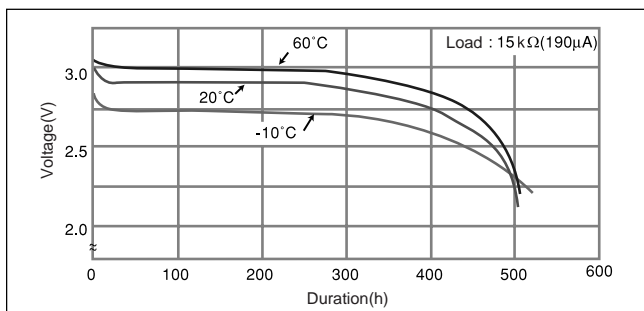
■ Dimensions(mm)



■ Specification

Nominal voltage (V)	3
Nominal capacity (mAh)	90
Continuous standard load (mA)	0.1
Operating temperature (C)	-30 ~ +60

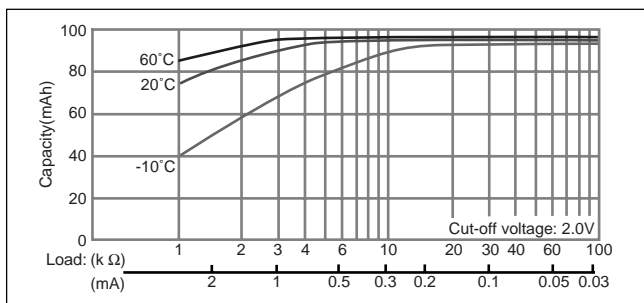
■ Temperature Characteristics



■ Operating voltage vs. load resistance (voltage at 50% discharge depth)

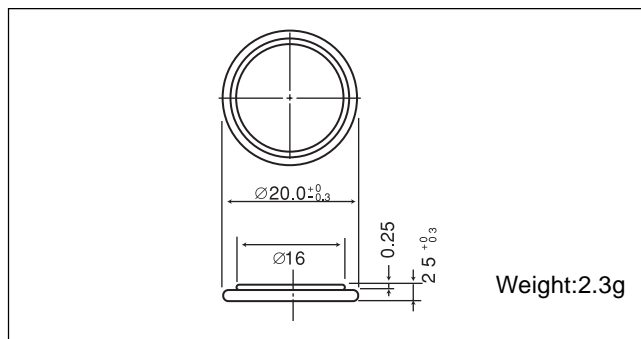


■ Capacity vs. load resistance



CR2025

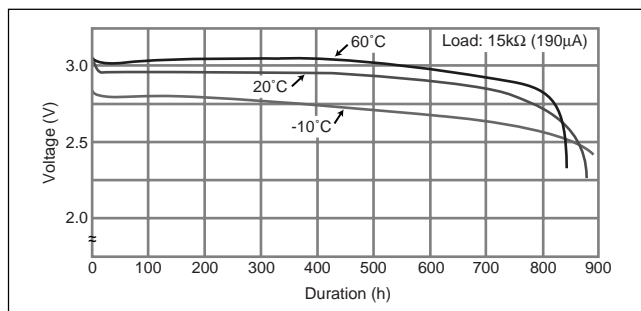
■ Dimensions(mm)



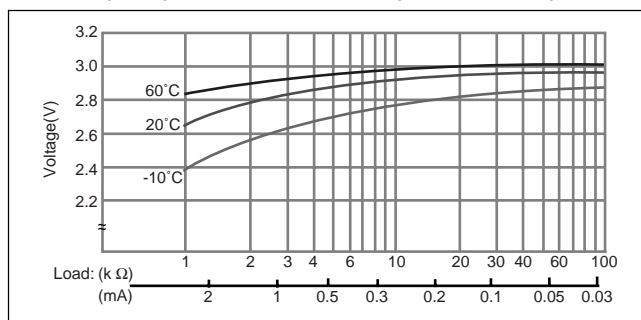
■ Specification

Nominal voltage (V)	3
Nominal capacity (mAh)	165
Continuous standard load (mA)	0.2
Operating temperature (C)	-30 ~ +60

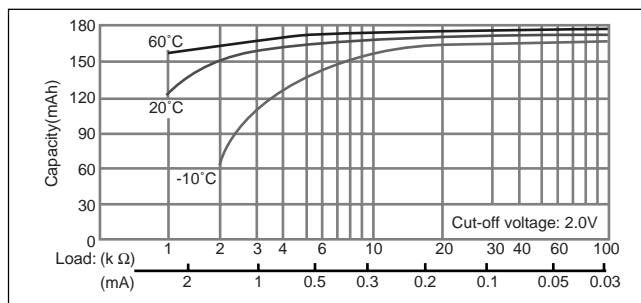
■ Temperature Characteristics



■ Operating voltage vs. load resistance (voltage at 50% discharge depth)



■ Capacity vs. load resistance



Manganese Dioxide Lithium Coin Batteries: Individual Specifications

CR2016

■ Dimensions(mm)



■ Specification

Nominal voltage (V)	3
Nominal capacity (mAh)	90
Continuous standard load (mA)	0.1
Operating temperature (C)	-30 ~ +60

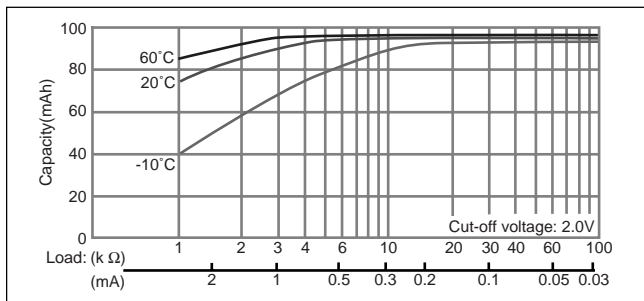
■ Temperature Characteristics



■ Operating voltage vs. load resistance (voltage at 50% discharge depth)



■ Capacity vs. load resistance



CR2025

■ Dimensions(mm)



■ Specification

Nominal voltage (V)	3
Nominal capacity (mAh)	165
Continuous standard load (mA)	0.2
Operating temperature (C)	-30 ~ +60

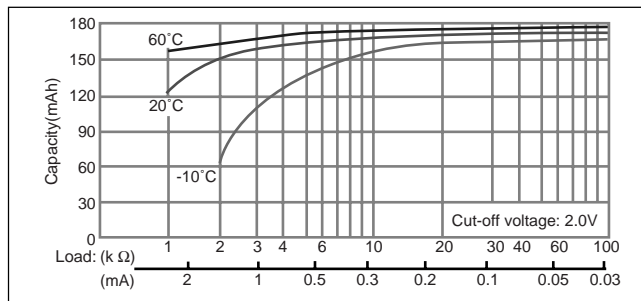
■ Temperature Characteristics



■ Operating voltage vs. load resistance (voltage at 50% discharge depth)



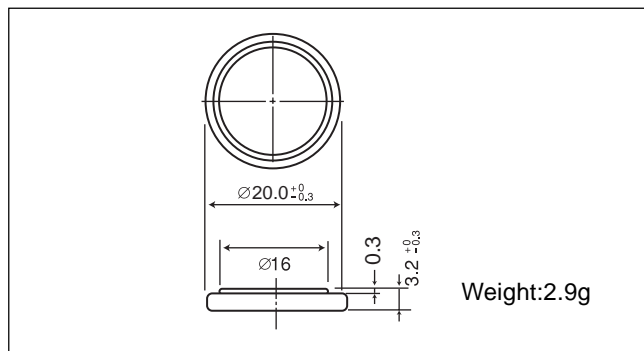
■ Capacity vs. load resistance



Manganese Dioxide Lithium Coin Batteries: Individual Specifications

CR2032

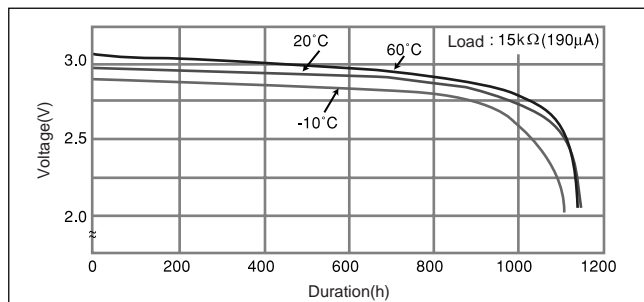
□ Dimensions(mm)



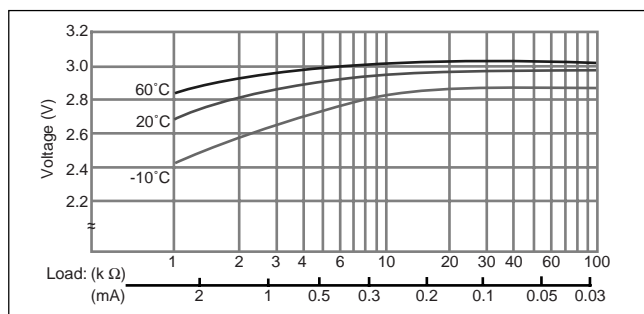
□ Specification

Nominal voltage (V)	3
Nominal capacity (mAh)	225
Continuous standard load (mA)	0.2
Operating temperature (C)	-30 ~ +60

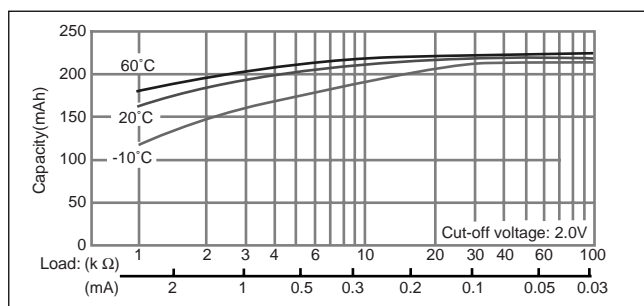
□ Temperature Characteristics



□ Operating voltage vs. load resistance (voltage at 50% discharge depth)

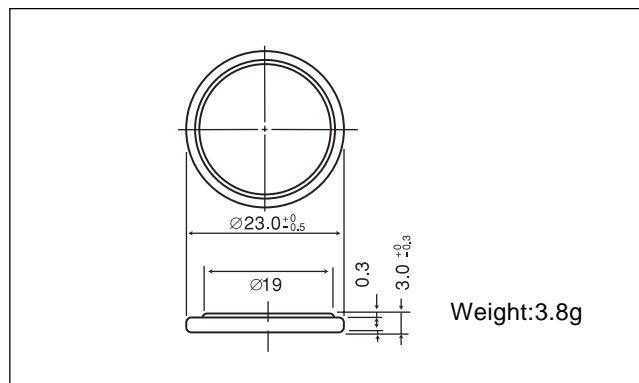


□ Capacity vs. load resistance



CR2330

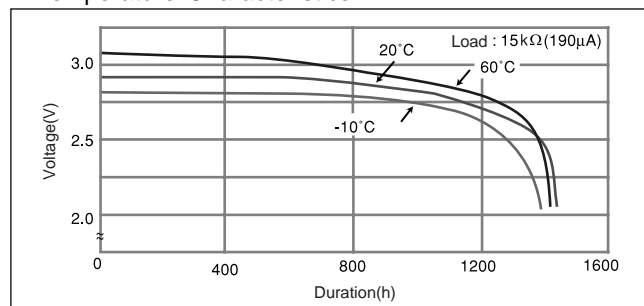
□ Dimensions(mm)



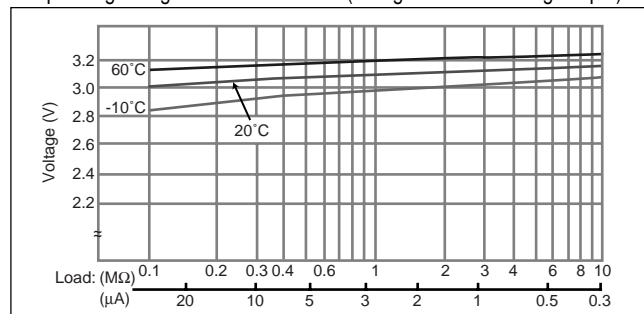
□ Specification

Nominal voltage (V)	3
Nominal capacity (mAh)	265
Continuous standard load (mA)	0.2
Operating temperature (C)	-30 ~ +60

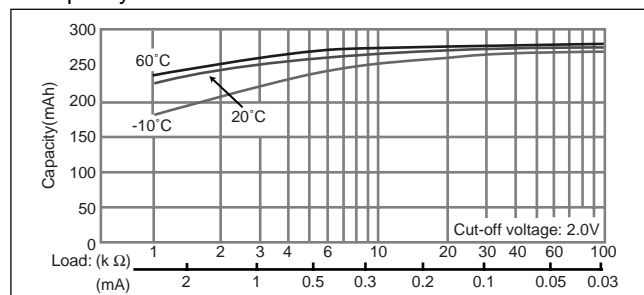
□ Temperature Characteristics



□ Operating voltage vs. load resistance (voltage at 50% discharge depth)



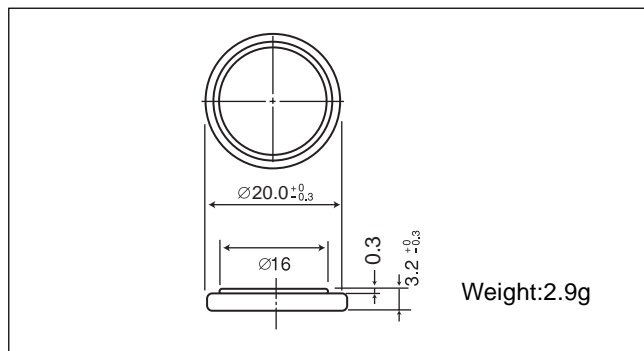
□ Capacity vs. load resistance



Manganese Dioxide Lithium Coin Batteries: Individual Specifications

CR2032

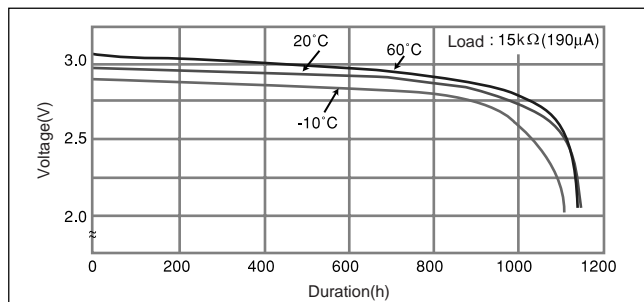
□ Dimensions(mm)



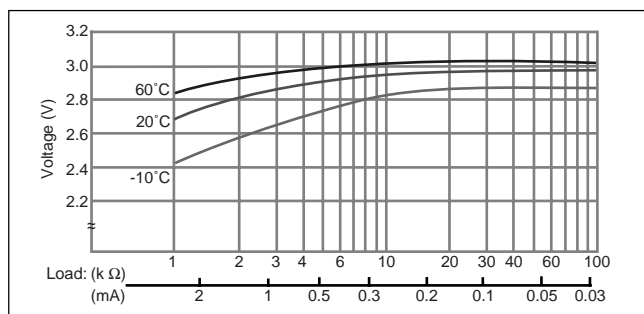
□ Specification

Nominal voltage (V)	3
Nominal capacity (mAh)	225
Continuous standard load (mA)	0.2
Operating temperature (C)	-30 ~ +60

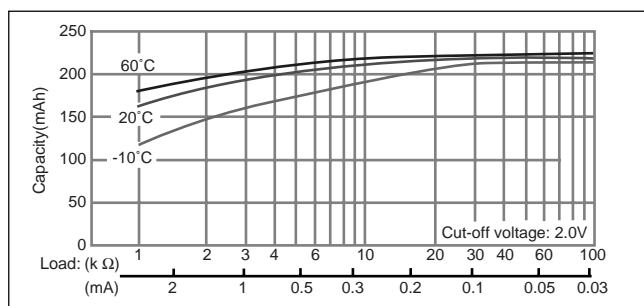
□ Temperature Characteristics



□ Operating voltage vs. load resistance (voltage at 50% discharge depth)

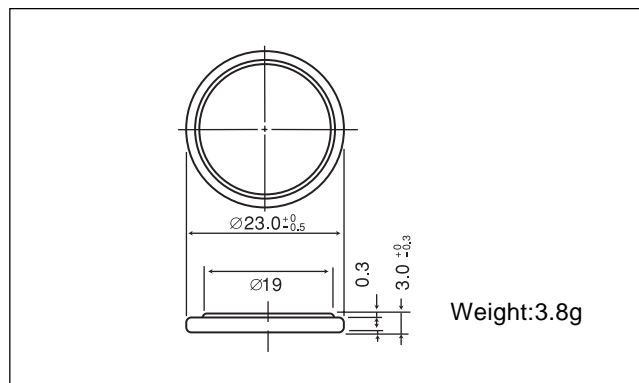


□ Capacity vs. load resistance



CR2330

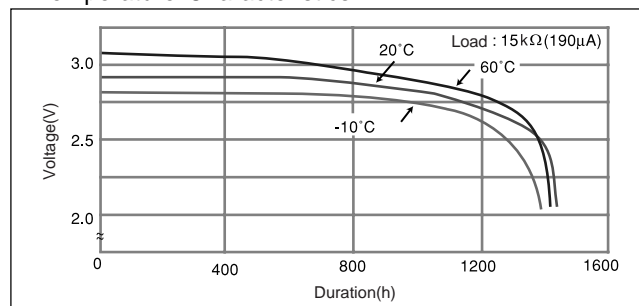
□ Dimensions(mm)



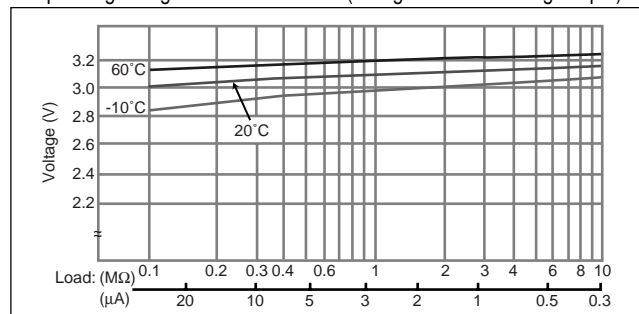
□ Specification

Nominal voltage (V)	3
Nominal capacity (mAh)	265
Continuous standard load (mA)	0.2
Operating temperature (C)	-30 ~ +60

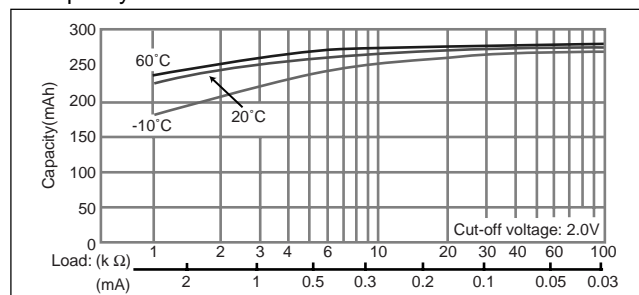
□ Temperature Characteristics



□ Operating voltage vs. load resistance (voltage at 50% discharge depth)



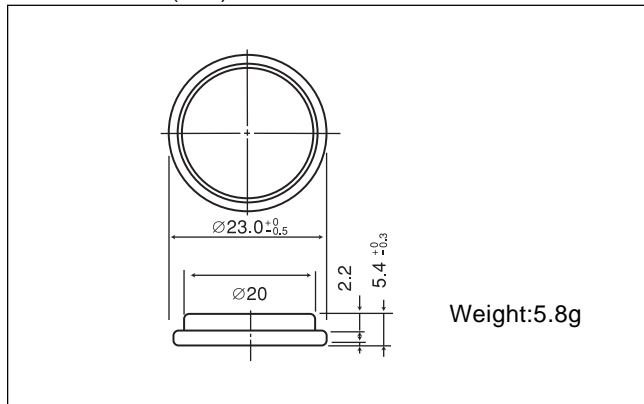
□ Capacity vs. load resistance



Manganese Dioxide Lithium Coin Batteries: Individual Specifications

CR2354

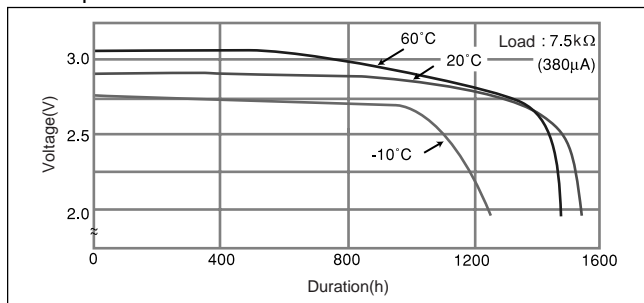
□ Dimensions(mm)



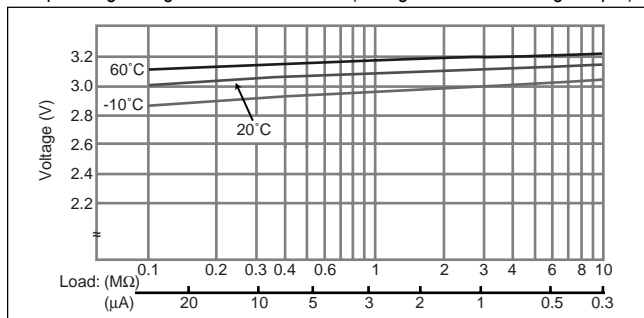
□ Specification

Nominal voltage (V)	3
Nominal capacity (mAh)	560
Continuous standard load (mA)	0.2
Operating temperature (C)	-30 ~ +60

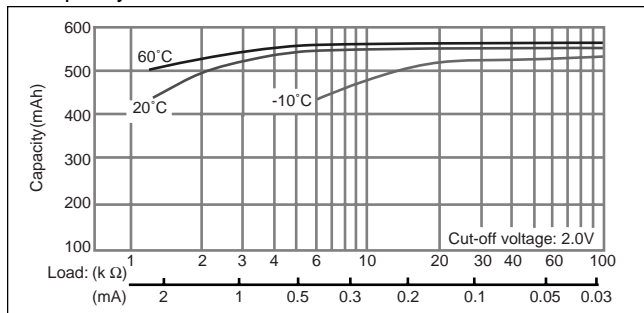
□ Temperature Characteristics



□ Operating voltage vs. load resistance (voltage at 50% discharge depth)

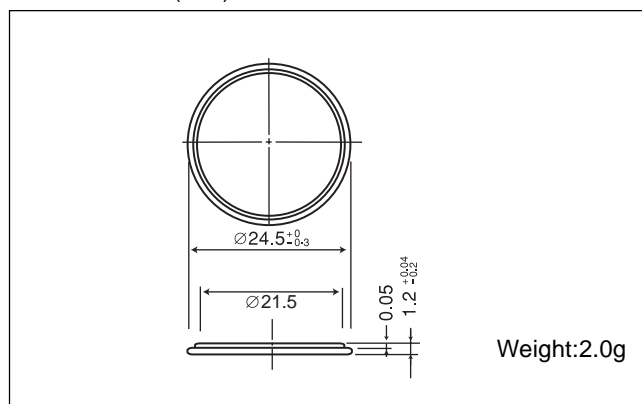


□ Capacity vs. load resistance



CR2412

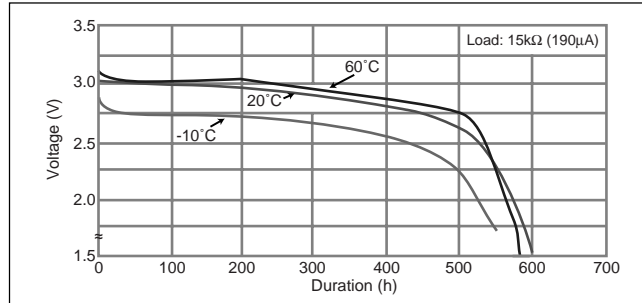
□ Dimensions(mm)



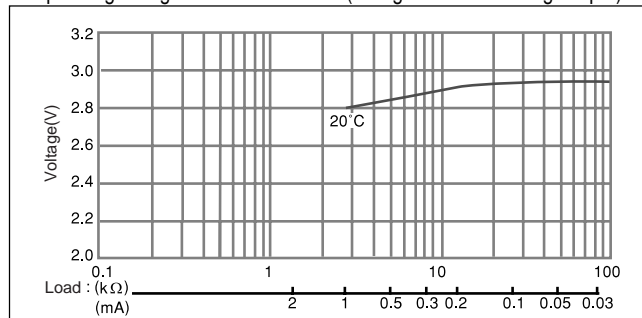
□ Specification

Nominal voltage (V)	3
Nominal capacity (mAh)	100
Continuous standard load (mA)	0.2
Operating temperature (C)	-30 ~ +60

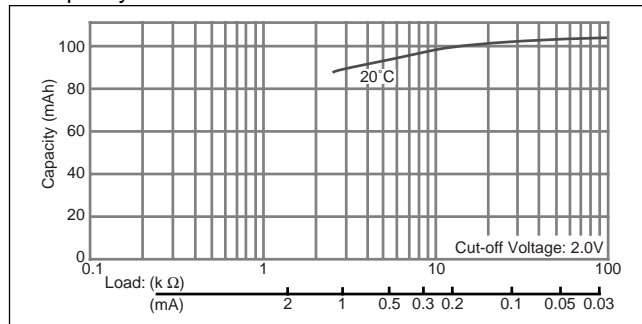
□ Temperature Characteristics



□ Operating voltage vs. load resistance (voltage at 50% discharge depth)



□ Capacity vs. load resistance



Manganese Dioxide Lithium Coin Batteries: Individual Specifications

CR2354

□ Dimensions(mm)



□ Specification

Nominal voltage (V)	3
Nominal capacity (mAh)	560
Continuous standard load (mA)	0.2
Operating temperature (C)	-30 ~ +60

□ Temperature Characteristics



□ Operating voltage vs. load resistance (voltage at 50% discharge depth)



□ Capacity vs. load resistance



CR2412

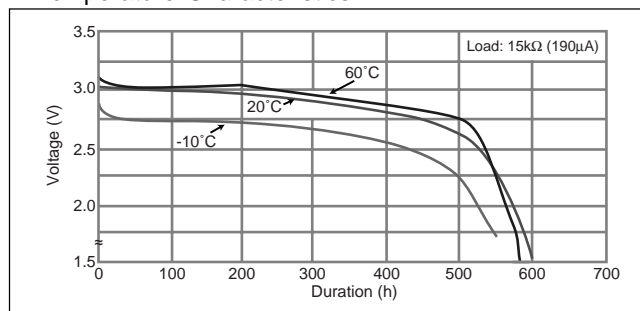
□ Dimensions(mm)



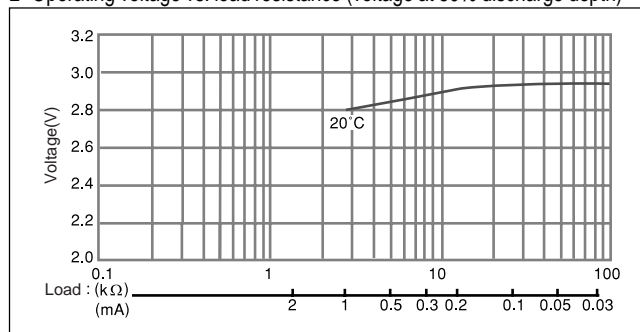
□ Specification

Nominal voltage (V)	3
Nominal capacity (mAh)	100
Continuous standard load (mA)	0.2
Operating temperature (C)	-30 ~ +60

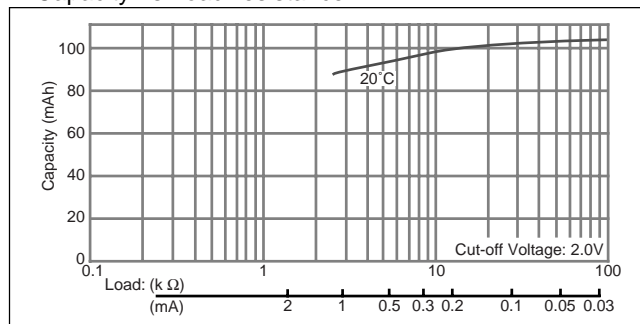
□ Temperature Characteristics



□ Operating voltage vs. load resistance (voltage at 50% discharge depth)



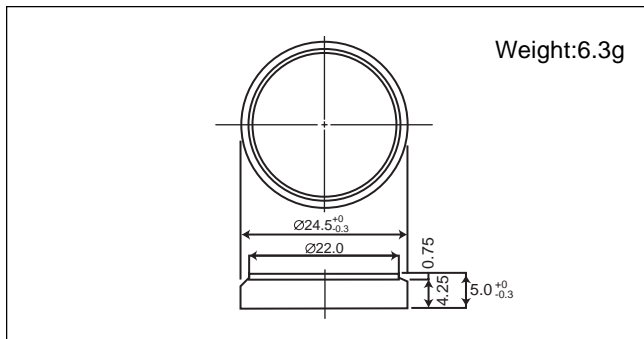
□ Capacity vs. load resistance



Manganese Dioxide Lithium Coin Batteries: Individual Specifications

CR2450

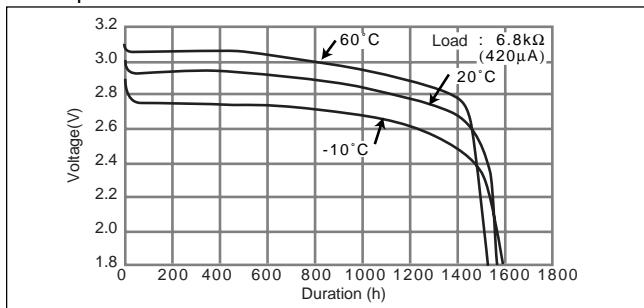
■ Dimensions(mm)



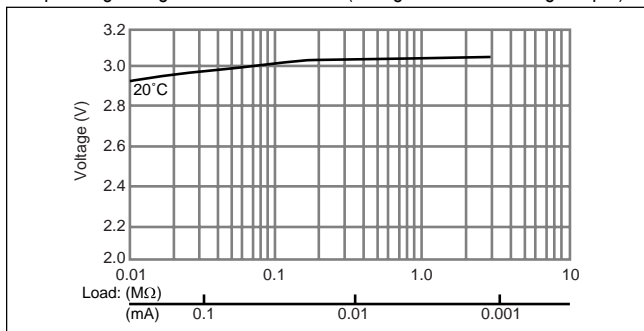
■ Specification

Nominal voltage (V)	3
Nominal capacity (mAh)	620
Continuous standard load (mA)	0.2
Operating temperature (C)	-30 ~ +60

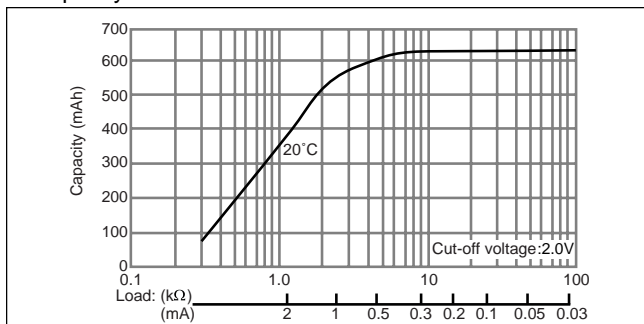
■ Temperature Characteristics



■ Operating voltage vs. load resistance (voltage at 50% discharge depth)

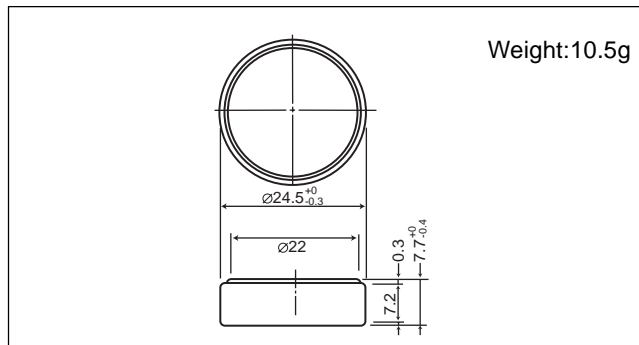


■ Capacity vs. load resistance



CR2477

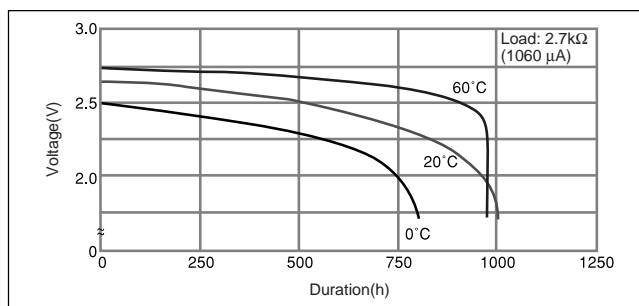
■ Dimensions(mm)



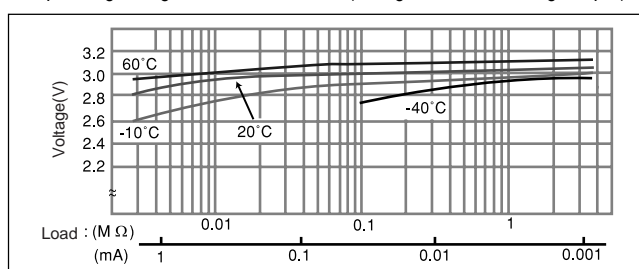
■ Specification

Nominal voltage (V)	3
Nominal capacity (mAh)	1,000
Continuous standard load (mA)	0.2
Operating temperature (C)	-30 ~ +60

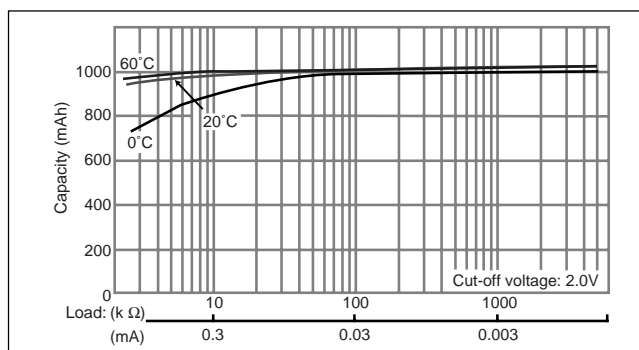
■ Temperature Characteristics



■ Operating voltage vs. load resistance (voltage at 50% discharge depth)



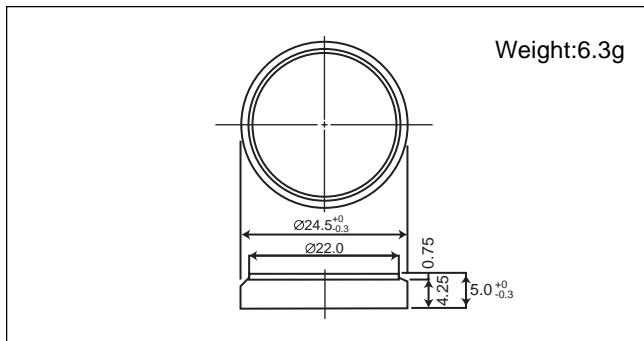
■ Capacity vs. load resistance



Manganese Dioxide Lithium Coin Batteries: Individual Specifications

CR2450

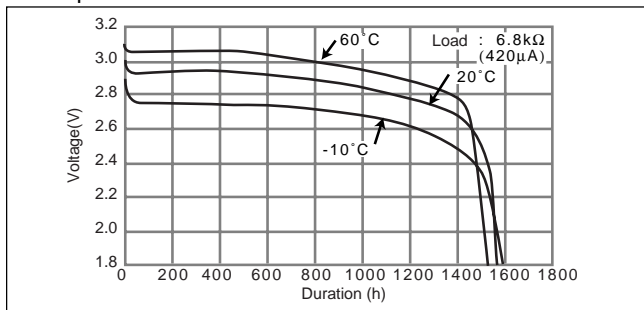
■ Dimensions(mm)



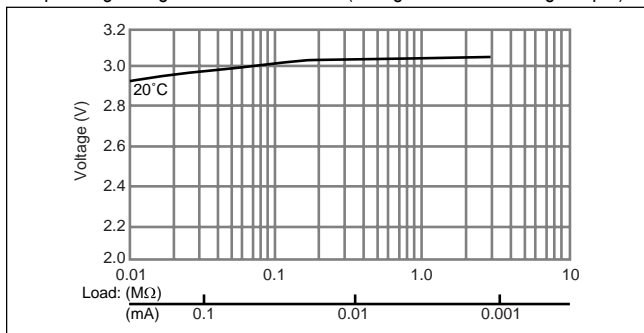
■ Specification

Nominal voltage (V)	3
Nominal capacity (mAh)	620
Continuous standard load (mA)	0.2
Operating temperature (C)	-30 ~ +60

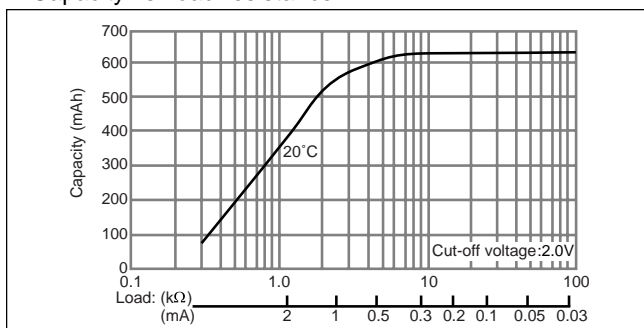
■ Temperature Characteristics



■ Operating voltage vs. load resistance (voltage at 50% discharge depth)

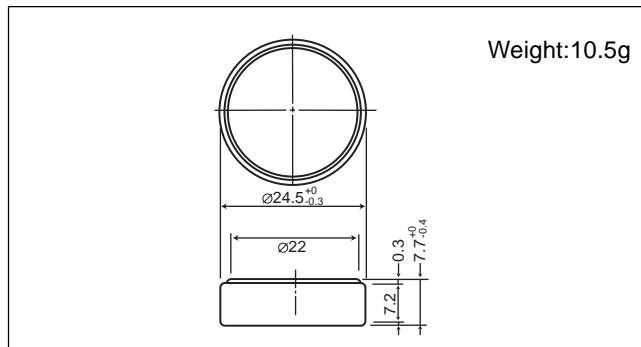


■ Capacity vs. load resistance



CR2477

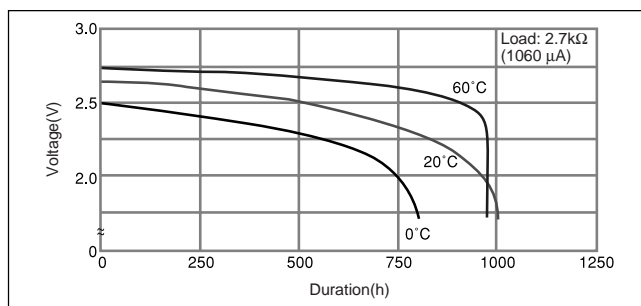
■ Dimensions(mm)



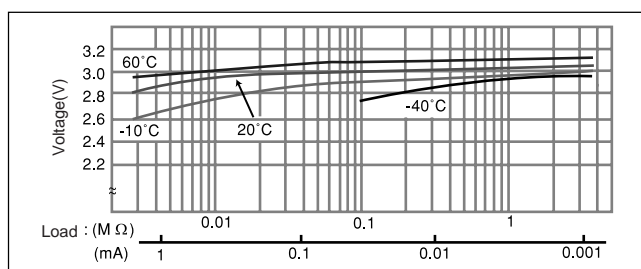
■ Specification

Nominal voltage (V)	3
Nominal capacity (mAh)	1,000
Continuous standard load (mA)	0.2
Operating temperature (C)	-30 ~ +60

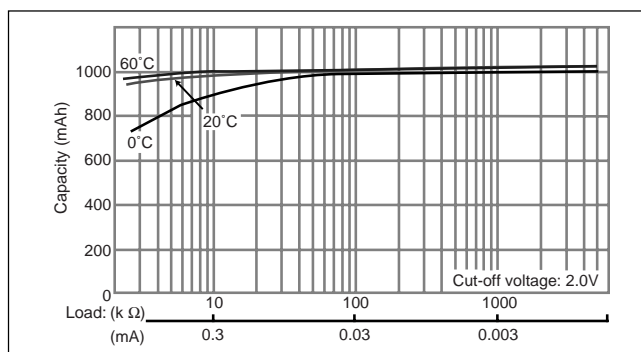
■ Temperature Characteristics



■ Operating voltage vs. load resistance (voltage at 50% discharge depth)



■ Capacity vs. load resistance



Manganese Dioxide Lithium Coin Batteries: Individual Specifications

CR3032

□ Dimensions(mm)



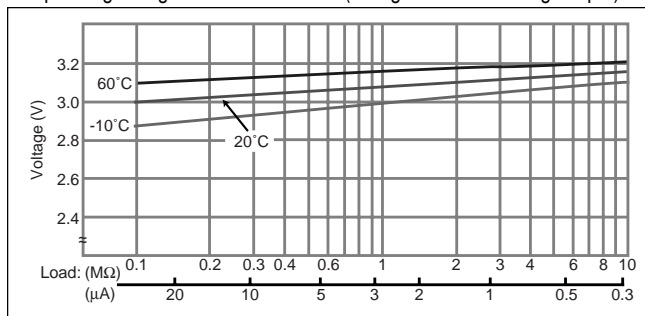
□ Specification

Nominal voltage (V)	3
Nominal capacity (mAh)	500
Continuous standard load (mA)	0.2
Operating temperature (C)	-30 ~ +60

□ Temperature Characteristics



□ Operating voltage vs. load resistance (voltage at 50% discharge depth)



□ Capacity vs. load resistance



Данный компонент на территории Российской Федерации

Вы можете приобрести в компании MosChip.

Для оперативного оформления запроса Вам необходимо перейти по данной ссылке:

<http://moschip.ru/get-element>

Вы можете разместить у нас заказ для любого Вашего проекта, будь то серийное производство или разработка единичного прибора.

В нашем ассортименте представлены ведущие мировые производители активных и пассивных электронных компонентов.

Нашей специализацией является поставка электронной компонентной базы двойного назначения, продукции таких производителей как XILINX, Intel (ex.ALTERA), Vicor, Microchip, Texas Instruments, Analog Devices, Mini-Circuits, Amphenol, Glenair.

Сотрудничество с глобальными дистрибьюторами электронных компонентов, предоставляет возможность заказывать и получать с международных складов практически любой перечень компонентов в оптимальные для Вас сроки.

На всех этапах разработки и производства наши партнеры могут получить квалифицированную поддержку опытных инженеров.

Система менеджмента качества компании отвечает требованиям в соответствии с ГОСТ Р ИСО 9001, ГОСТ РВ 0015-002 и ЭС РД 009

Офис по работе с юридическими лицами:

105318, г.Москва, ул.Щербаковская д.3, офис 1107, 1118, ДЦ «Щербаковский»

Телефон: +7 495 668-12-70 (многоканальный)

Факс: +7 495 668-12-70 (доб.304)

E-mail: info@moschip.ru

Skype отдела продаж:

moschip.ru

moschip.ru_4

moschip.ru_6

moschip.ru_9