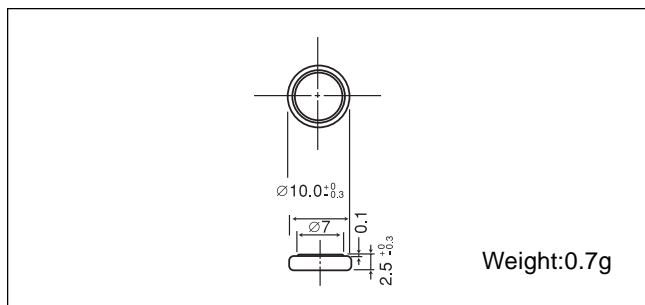


# Manganese Dioxide Lithium Coin Batteries: Individual Specifications

## CR1025

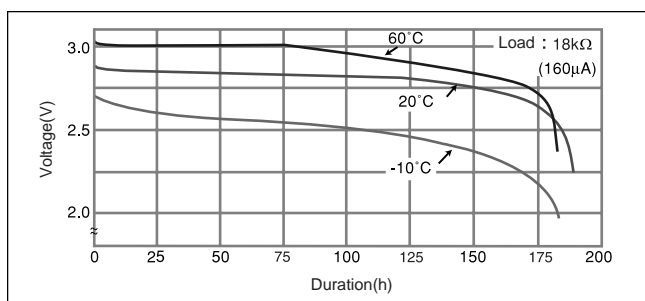
### ■ Dimensions(mm)



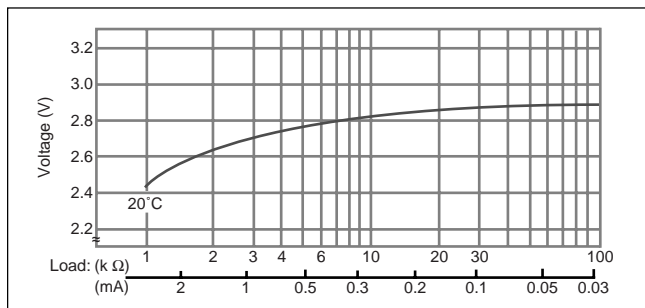
### ■ Specification

Nominal voltage (V)	3
Nominal capacity (mAh)	30
Continuous standard load (mA)	0.1
Operating temperature (C)	-30 ~ +60

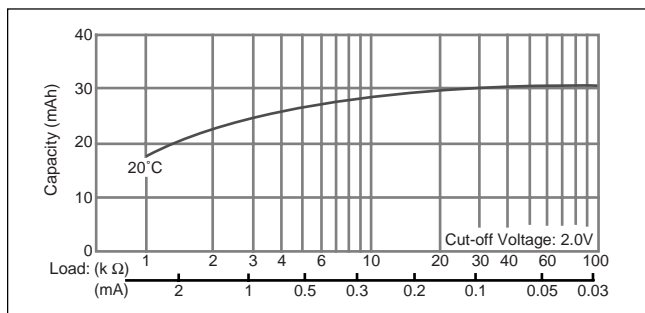
### ■ Temperature Characteristics



### ■ Operating voltage vs. load resistance (voltage at 50% discharge depth)

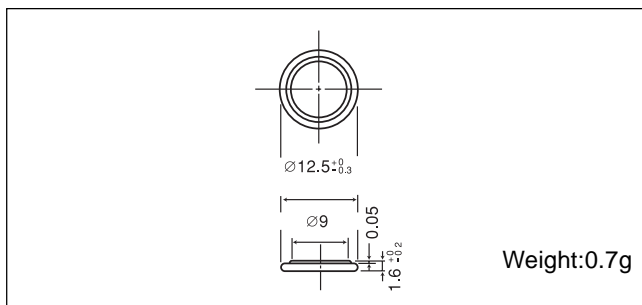


### ■ Capacity vs. load resistance



## CR1216

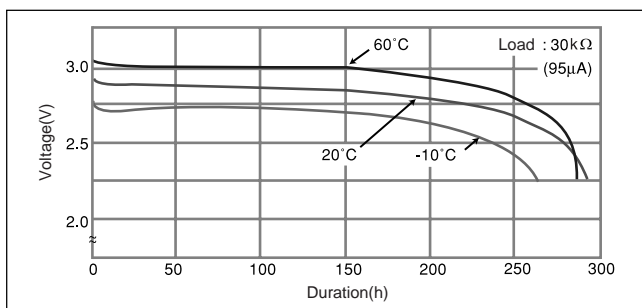
### ■ Dimensions(mm)



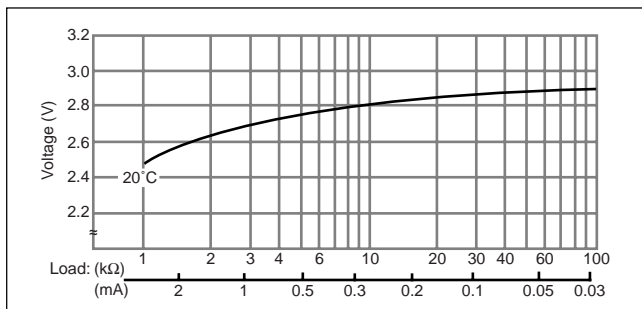
### ■ Specification

Nominal voltage (V)	3
Nominal capacity (mAh)	25
Continuous standard load (mA)	0.1
Operating temperature (C)	-30 ~ +60

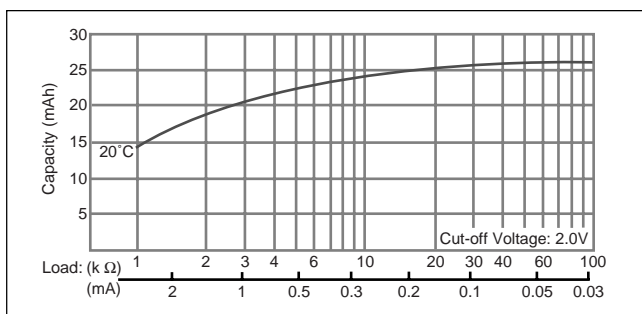
### ■ Temperature Characteristics



### ■ Operating voltage vs. load resistance (voltage at 50% discharge depth)



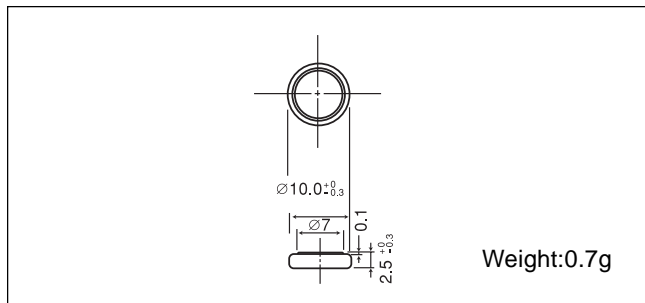
### ■ Capacity vs. load resistance



# Manganese Dioxide Lithium Coin Batteries: Individual Specifications

## CR1025

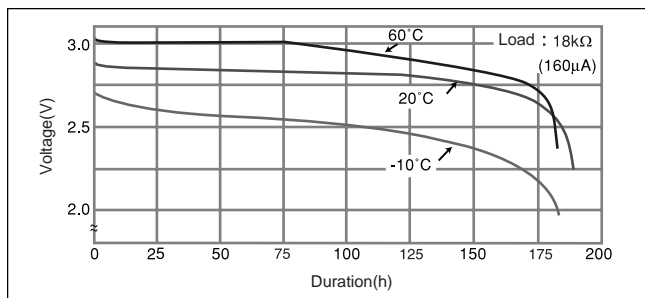
### ■ Dimensions(mm)



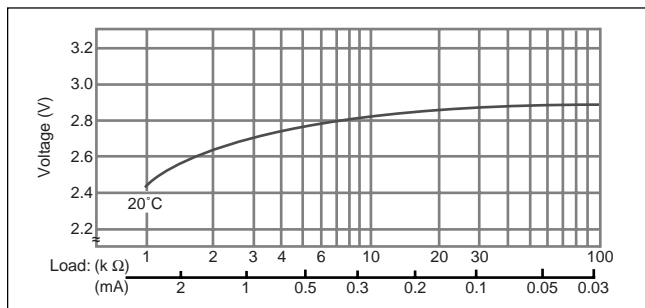
### ■ Specification

Nominal voltage (V)	3
Nominal capacity (mAh)	30
Continuous standard load (mA)	0.1
Operating temperature (C)	-30 ~ +60

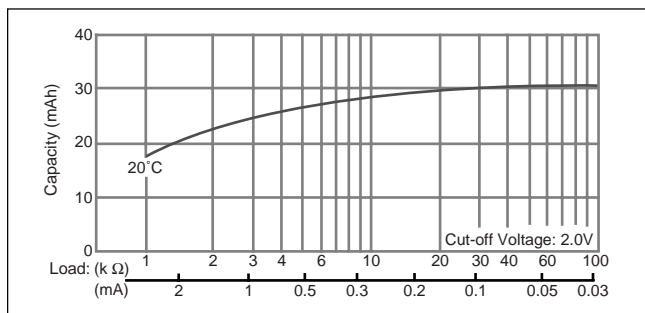
### ■ Temperature Characteristics



### ■ Operating voltage vs. load resistance (voltage at 50% discharge depth)

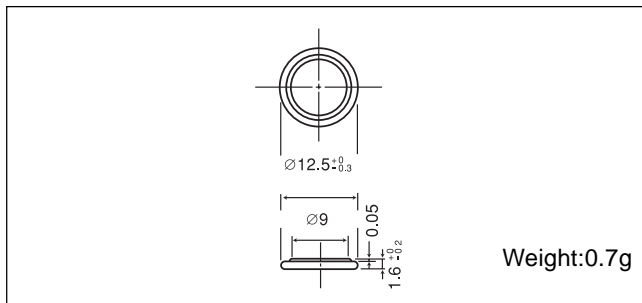


### ■ Capacity vs. load resistance



## CR1216

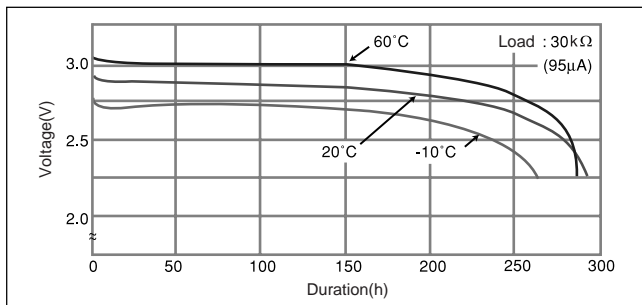
### ■ Dimensions(mm)



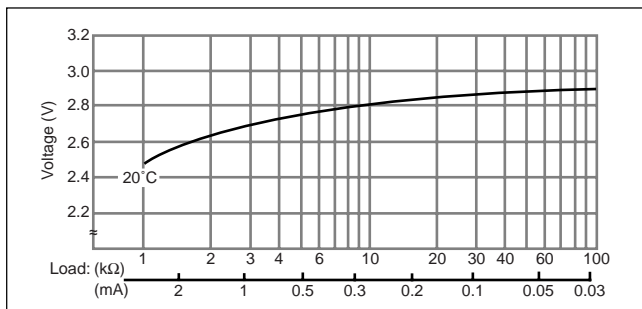
### ■ Specification

Nominal voltage (V)	3
Nominal capacity (mAh)	25
Continuous standard load (mA)	0.1
Operating temperature (C)	-30 ~ +60

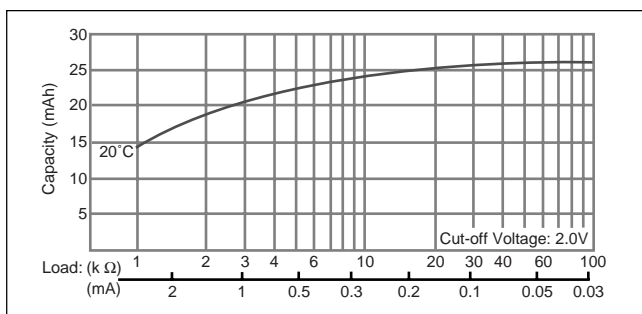
### ■ Temperature Characteristics



### ■ Operating voltage vs. load resistance (voltage at 50% discharge depth)



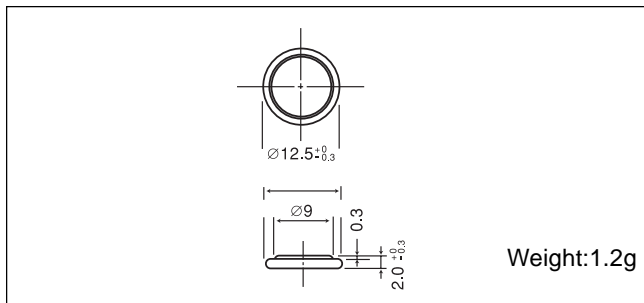
### ■ Capacity vs. load resistance



# Manganese Dioxide Lithium Coin Batteries: Individual Specifications

## CR1220

### ■ Dimensions(mm)



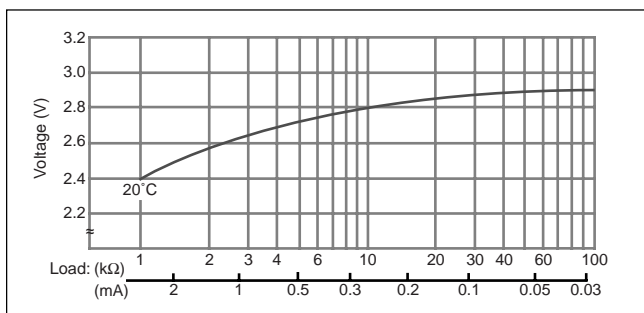
### ■ Specification

Nominal voltage (V)	3
Nominal capacity (mAh)	35
Continuous standard load (mA)	0.1
Operating temperature (C)	-30 ~ +60

### ■ Temperature Characteristics



### ■ Operating voltage vs. load resistance (voltage at 50% discharge depth)

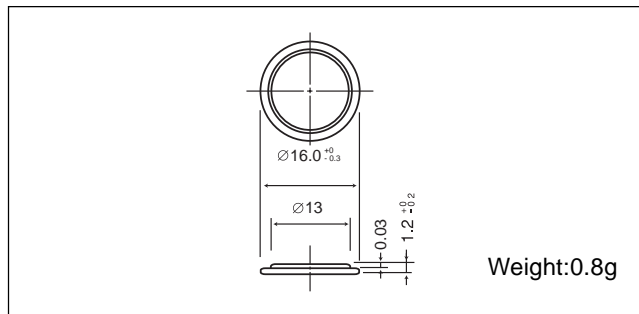


### ■ Capacity vs. load resistance



## CR1612

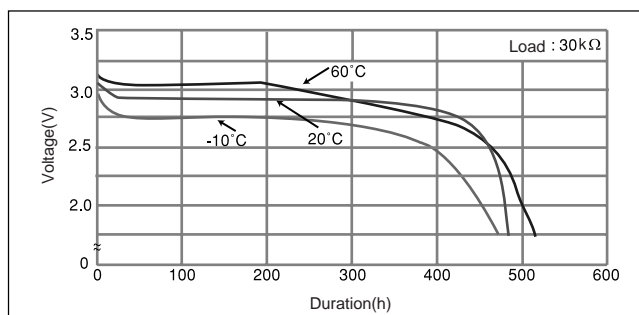
### ■ Dimensions(mm)



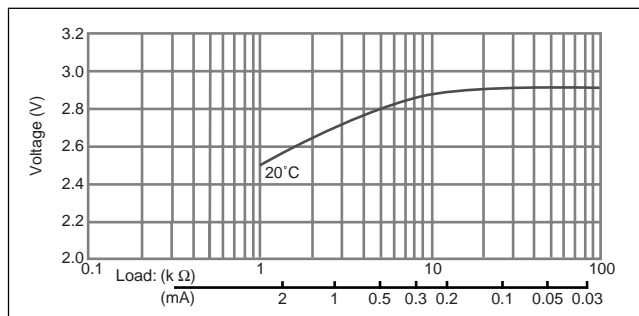
### ■ Specification

Nominal voltage (V)	3
Nominal capacity (mAh)	40
Continuous standard load (mA)	0.1
Operating temperature (C)	-30 ~ +60

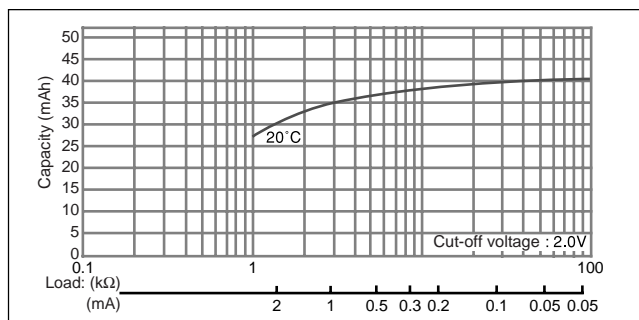
### ■ Temperature Characteristics



### ■ Operating voltage vs. load resistance (voltage at 50% discharge depth)



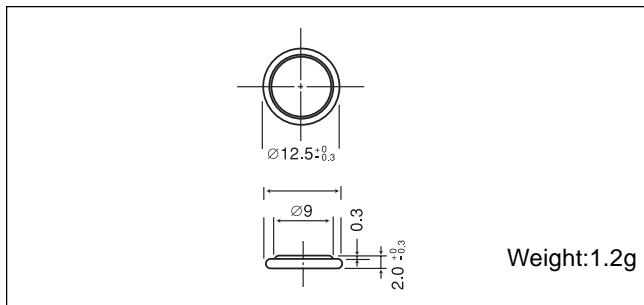
### ■ Capacity vs. load resistance



# Manganese Dioxide Lithium Coin Batteries: Individual Specifications

## CR1220

### ■ Dimensions(mm)



### ■ Specification

Nominal voltage (V)	3
Nominal capacity (mAh)	35
Continuous standard load (mA)	0.1
Operating temperature (C)	-30 ~ +60

### ■ Temperature Characteristics



### ■ Operating voltage vs. load resistance (voltage at 50% discharge depth)



### ■ Capacity vs. load resistance



## CR1612

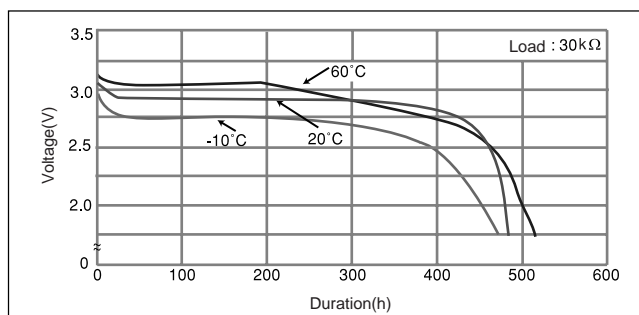
### ■ Dimensions(mm)



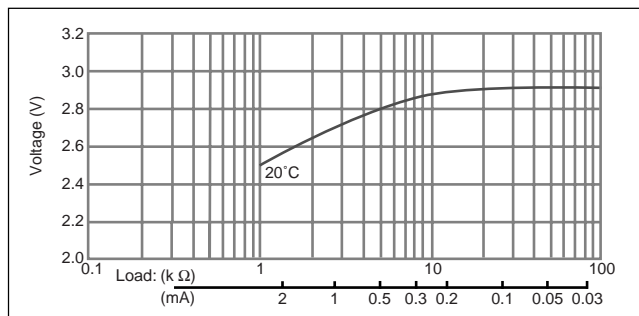
### ■ Specification

Nominal voltage (V)	3
Nominal capacity (mAh)	40
Continuous standard load (mA)	0.1
Operating temperature (C)	-30 ~ +60

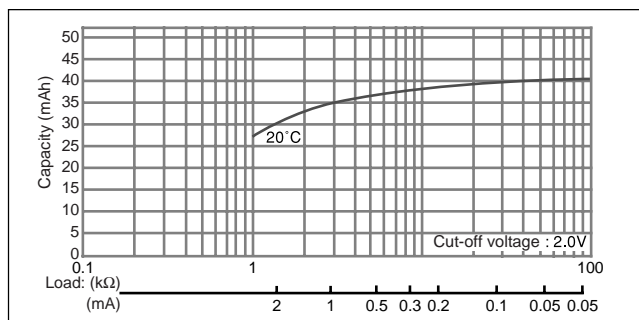
### ■ Temperature Characteristics



### ■ Operating voltage vs. load resistance (voltage at 50% discharge depth)



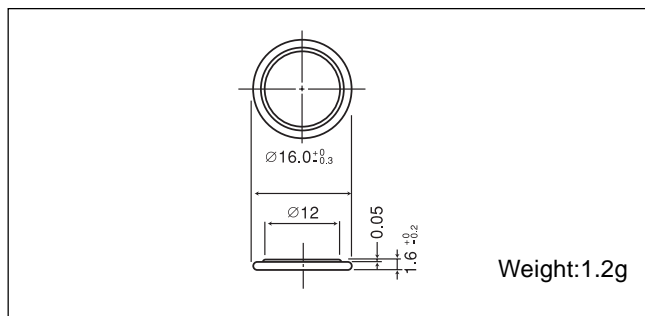
### ■ Capacity vs. load resistance



# Manganese Dioxide Lithium Coin Batteries: Individual Specifications

## CR1616

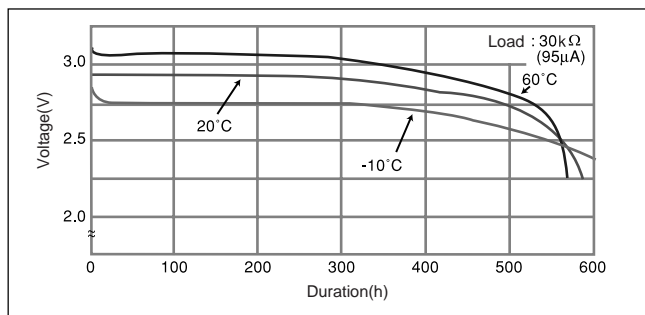
### ■ Dimensions(mm)



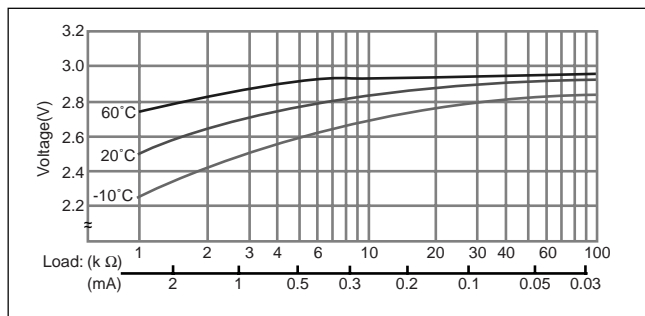
### ■ Specification

Nominal voltage (V)	3
Nominal capacity (mAh)	55
Continuous standard load (mA)	0.1
Operating temperature (C)	-30 ~ +60

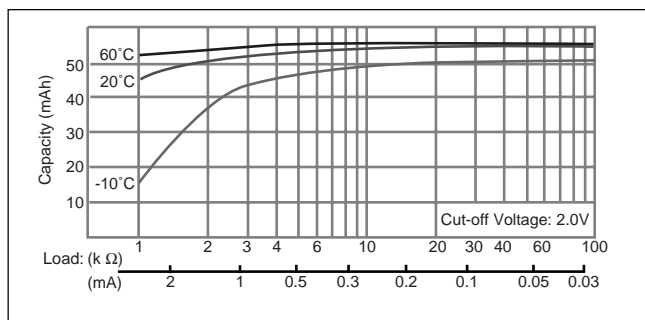
### ■ Temperature Characteristics



### ■ Operating voltage vs. load resistance (voltage at 50% discharge depth)

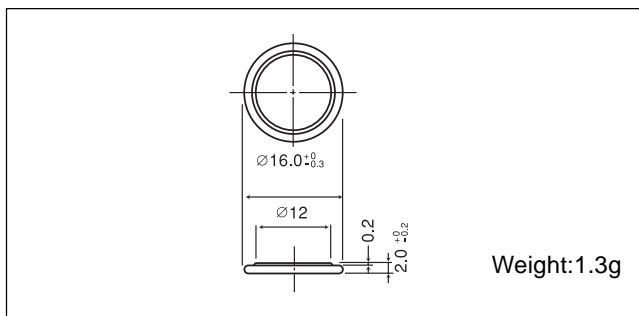


### ■ Capacity vs. load resistance



## CR1620

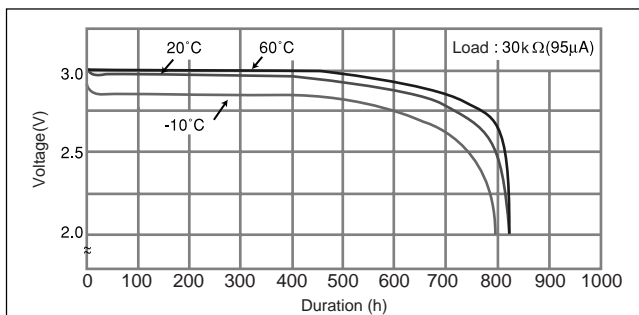
### ■ Dimensions(mm)



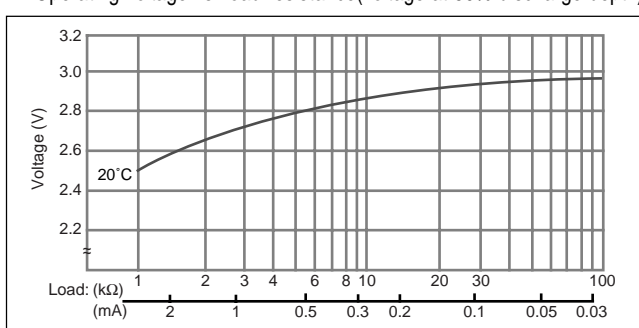
### ■ Specification

Nominal voltage (V)	3
Nominal capacity (mAh)	75
Continuous standard load (mA)	0.1
Operating temperature (C)	-30 ~ +60

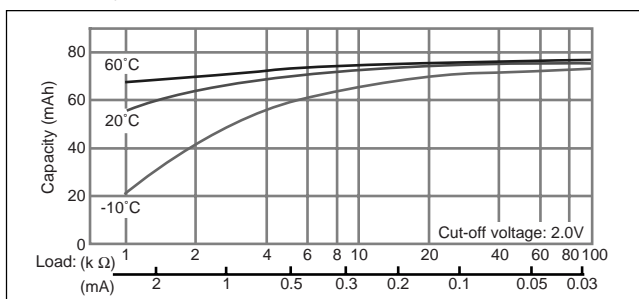
### ■ Temperature Characteristics



### ■ Operating voltage vs. load resistance (voltage at 50% discharge depth)



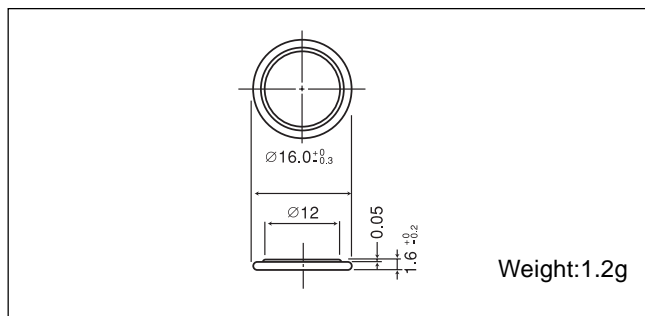
### ■ Capacity vs. load resistance



# Manganese Dioxide Lithium Coin Batteries: Individual Specifications

## CR1616

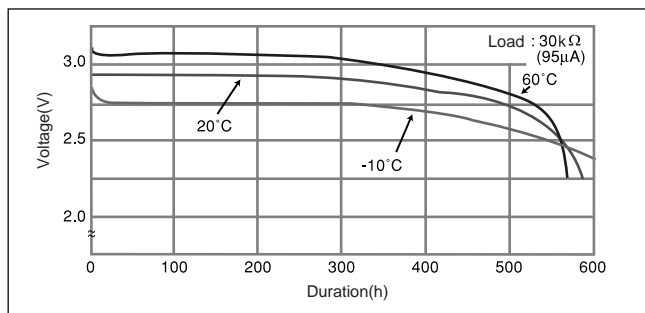
### ■ Dimensions(mm)



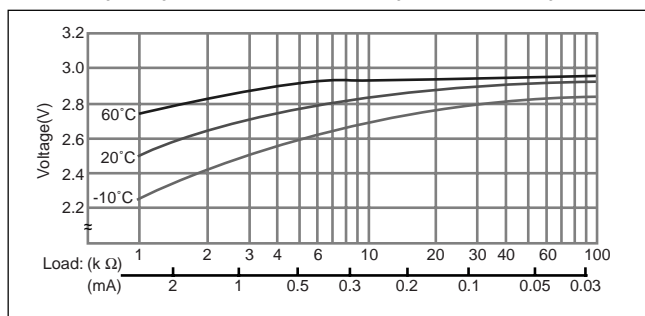
### ■ Specification

Nominal voltage (V)	3
Nominal capacity (mAh)	55
Continuous standard load (mA)	0.1
Operating temperature (C)	-30 ~ +60

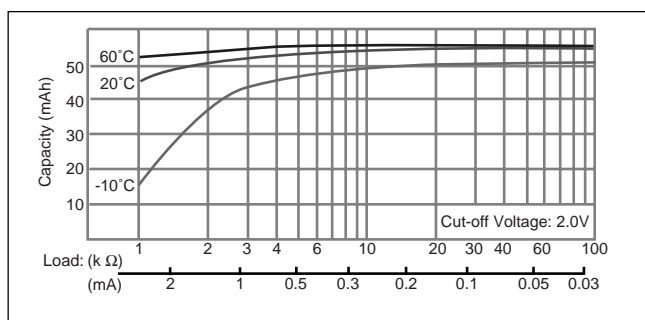
### ■ Temperature Characteristics



### ■ Operating voltage vs. load resistance (voltage at 50% discharge depth)

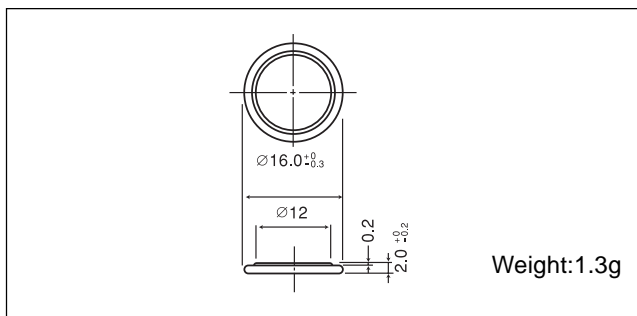


### ■ Capacity vs. load resistance



## CR1620

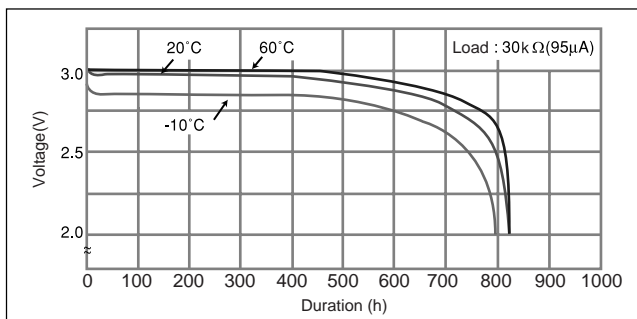
### ■ Dimensions(mm)



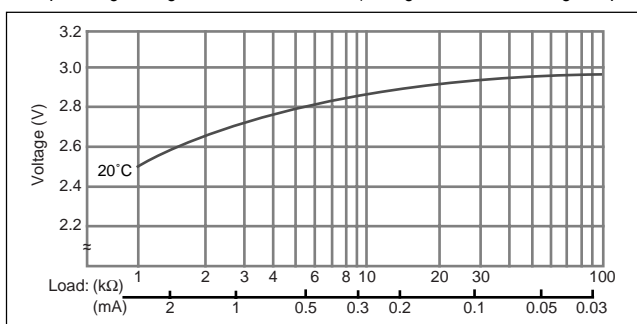
### ■ Specification

Nominal voltage (V)	3
Nominal capacity (mAh)	75
Continuous standard load (mA)	0.1
Operating temperature (C)	-30 ~ +60

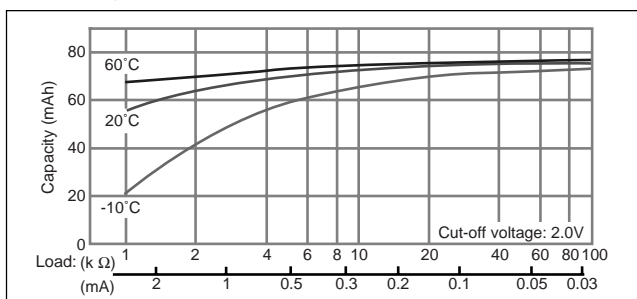
### ■ Temperature Characteristics



### ■ Operating voltage vs. load resistance (voltage at 50% discharge depth)



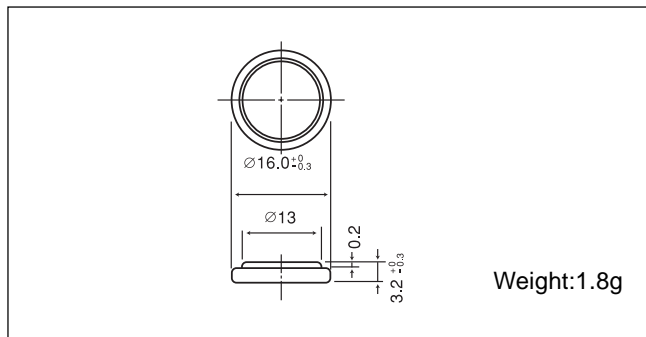
### ■ Capacity vs. load resistance



# Manganese Dioxide Lithium Coin Batteries: Individual Specifications

## CR1632

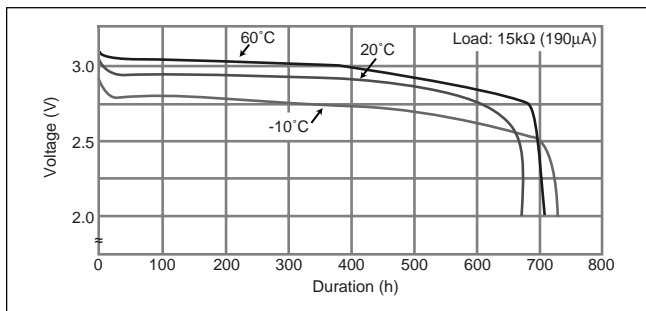
### ■ Dimensions(mm)



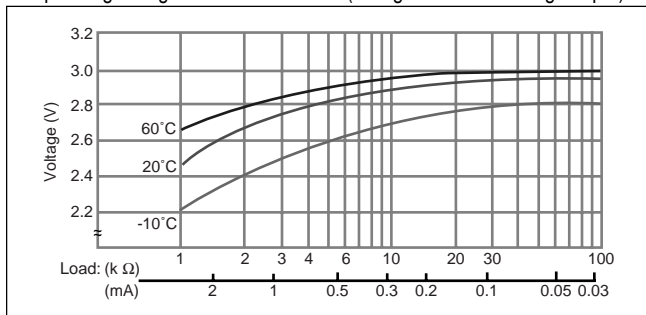
### ■ Specification

Nominal voltage (V)	3
Nominal capacity (mAh)	140
Continuous standard load (mA)	0.1
Operating temperature (C)	-30 ~ +60

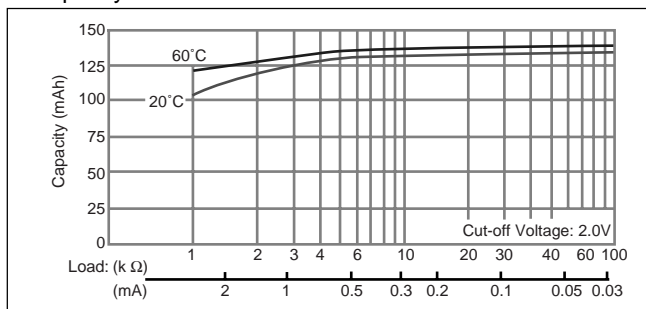
### ■ Temperature Characteristics



### ■ Operating voltage vs. load resistance (voltage at 50% discharge depth)



### ■ Capacity vs. load resistance



## CR2012

### ■ Dimensions(mm)



### ■ Specification

Nominal voltage (V)	3
Nominal capacity (mAh)	55
Continuous standard load (mA)	0.1
Operating temperature (C)	-30 ~ +60

### ■ Temperature Characteristics



### ■ Operating voltage vs. load resistance (voltage at 50% discharge depth)



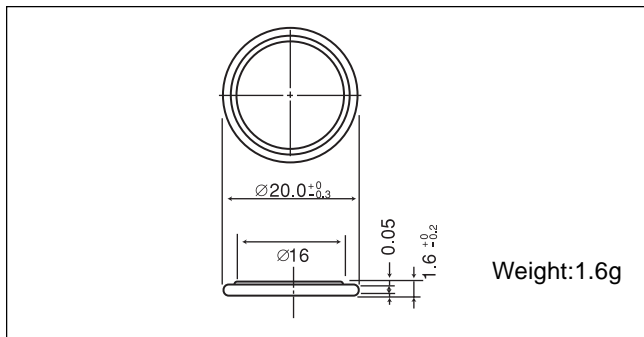
### ■ Capacity vs. load resistance



# Manganese Dioxide Lithium Coin Batteries: Individual Specifications

## CR2016

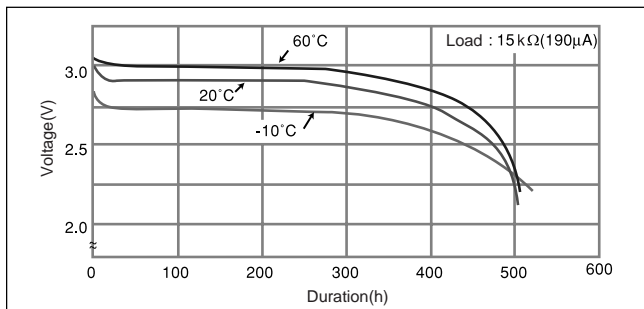
### ■ Dimensions(mm)



### ■ Specification

Nominal voltage (V)	3
Nominal capacity (mAh)	90
Continuous standard load (mA)	0.1
Operating temperature (C)	-30 ~ +60

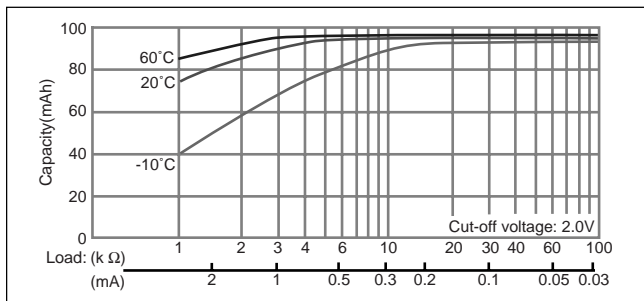
### ■ Temperature Characteristics



### ■ Operating voltage vs. load resistance (voltage at 50% discharge depth)

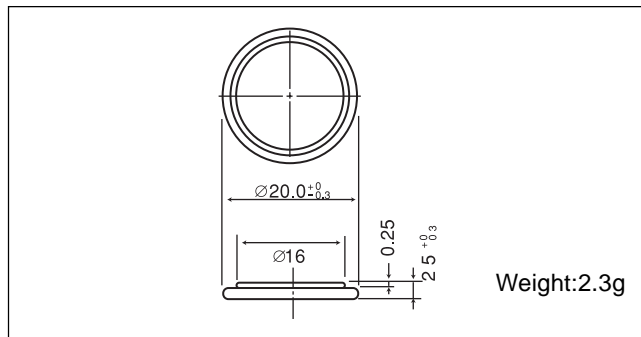


### ■ Capacity vs. load resistance



## CR2025

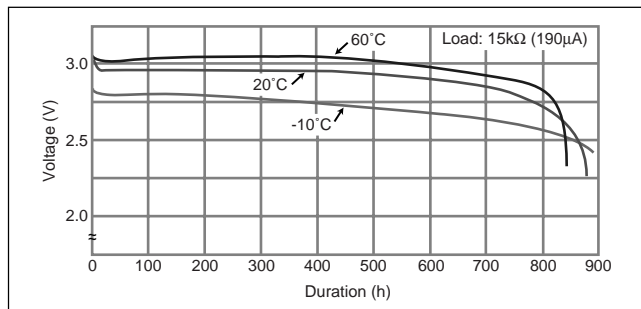
### ■ Dimensions(mm)



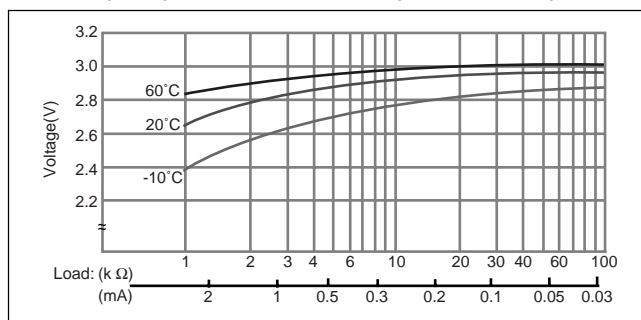
### ■ Specification

Nominal voltage (V)	3
Nominal capacity (mAh)	165
Continuous standard load (mA)	0.2
Operating temperature (C)	-30 ~ +60

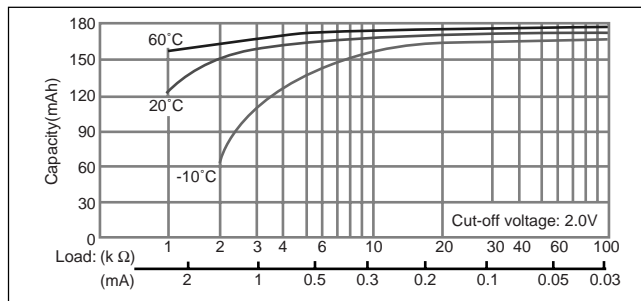
### ■ Temperature Characteristics



### ■ Operating voltage vs. load resistance (voltage at 50% discharge depth)



### ■ Capacity vs. load resistance





# Manganese Dioxide Lithium Coin Batteries: Individual Specifications

## CR2016

### ■ Dimensions(mm)



### ■ Specification

Nominal voltage (V)	3
Nominal capacity (mAh)	90
Continuous standard load (mA)	0.1
Operating temperature (C)	-30 ~ +60

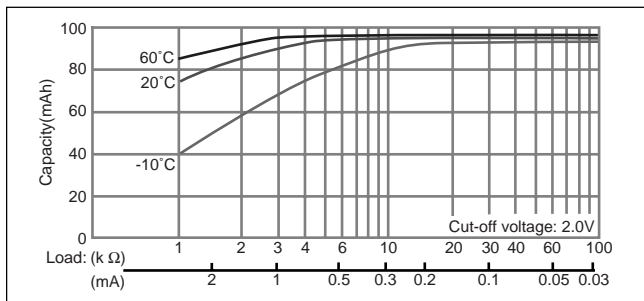
### ■ Temperature Characteristics



### ■ Operating voltage vs. load resistance (voltage at 50% discharge depth)



### ■ Capacity vs. load resistance



## CR2025

### ■ Dimensions(mm)



### ■ Specification

Nominal voltage (V)	3
Nominal capacity (mAh)	165
Continuous standard load (mA)	0.2
Operating temperature (C)	-30 ~ +60

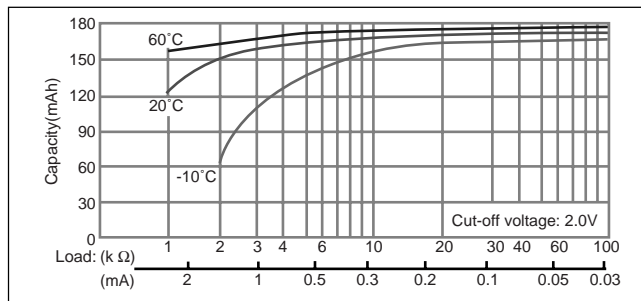
### ■ Temperature Characteristics



### ■ Operating voltage vs. load resistance (voltage at 50% discharge depth)



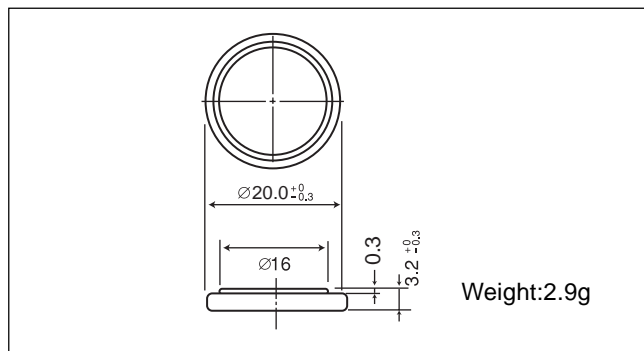
### ■ Capacity vs. load resistance



# Manganese Dioxide Lithium Coin Batteries: Individual Specifications

## CR2032

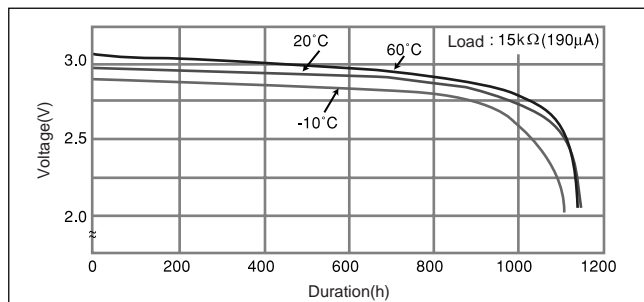
### □ Dimensions(mm)



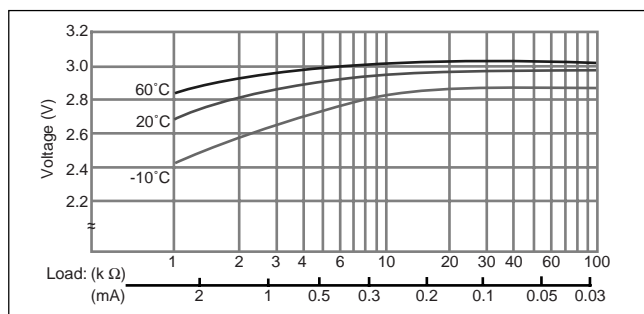
### □ Specification

Nominal voltage (V)	3
Nominal capacity (mAh)	225
Continuous standard load (mA)	0.2
Operating temperature (C)	-30 ~ +60

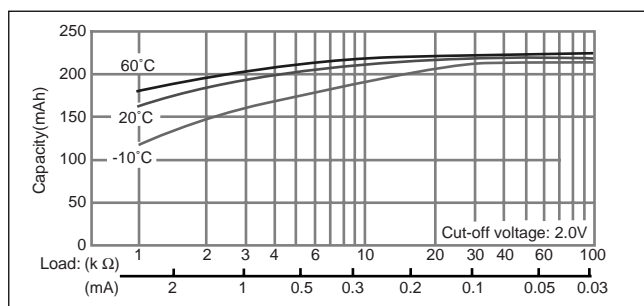
### □ Temperature Characteristics



### □ Operating voltage vs. load resistance (voltage at 50% discharge depth)

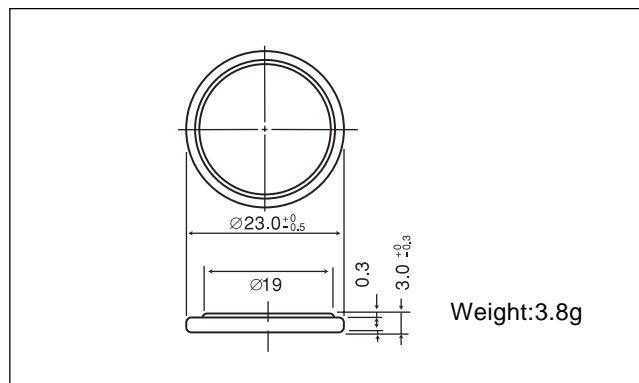


### □ Capacity vs. load resistance



## CR2330

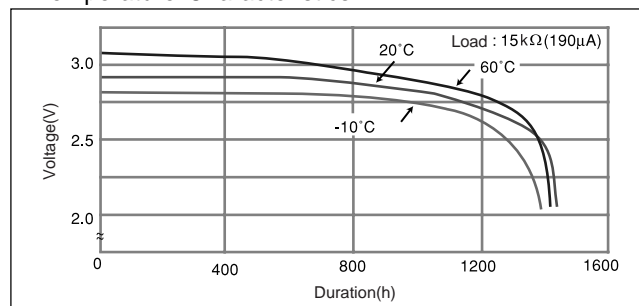
### □ Dimensions(mm)



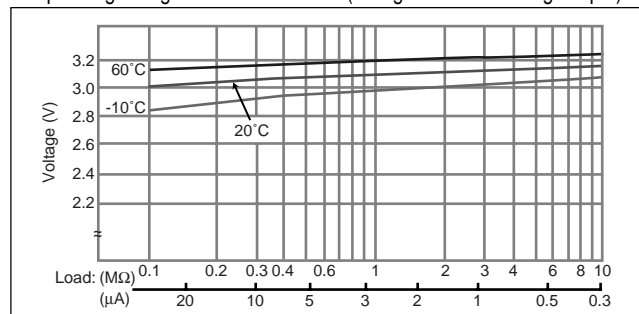
### □ Specification

Nominal voltage (V)	3
Nominal capacity (mAh)	265
Continuous standard load (mA)	0.2
Operating temperature (C)	-30 ~ +60

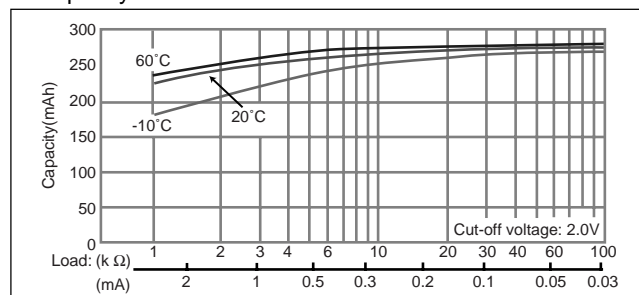
### □ Temperature Characteristics



### □ Operating voltage vs. load resistance (voltage at 50% discharge depth)



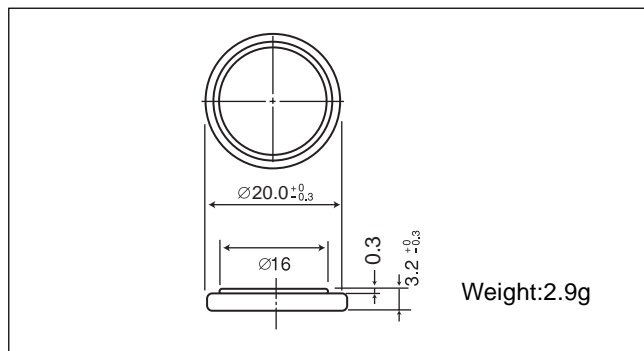
### □ Capacity vs. load resistance



# Manganese Dioxide Lithium Coin Batteries: Individual Specifications

## CR2032

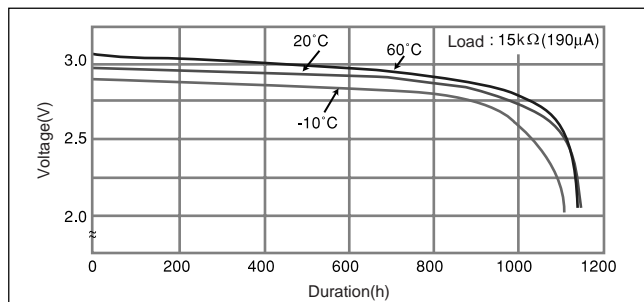
### □ Dimensions(mm)



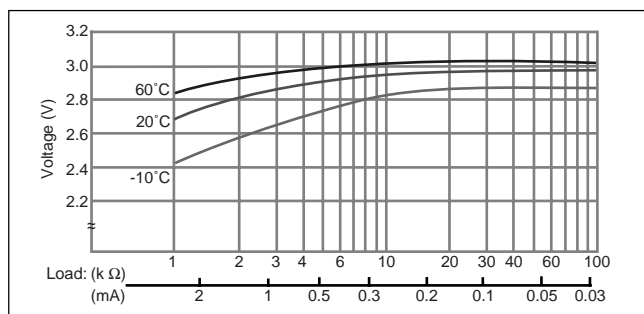
### □ Specification

Nominal voltage (V)	3
Nominal capacity (mAh)	225
Continuous standard load (mA)	0.2
Operating temperature (C)	-30 ~ +60

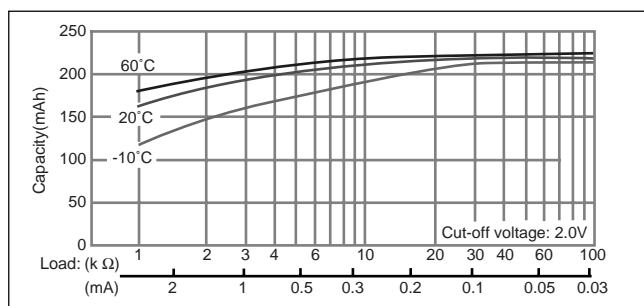
### □ Temperature Characteristics



### □ Operating voltage vs. load resistance (voltage at 50% discharge depth)

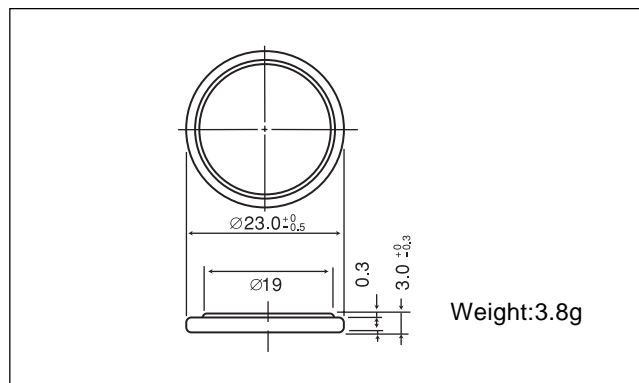


### □ Capacity vs. load resistance



## CR2330

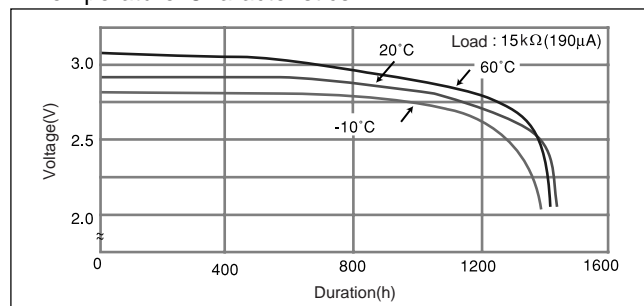
### □ Dimensions(mm)



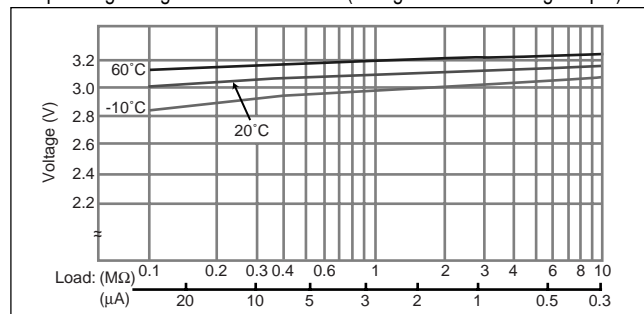
### □ Specification

Nominal voltage (V)	3
Nominal capacity (mAh)	265
Continuous standard load (mA)	0.2
Operating temperature (C)	-30 ~ +60

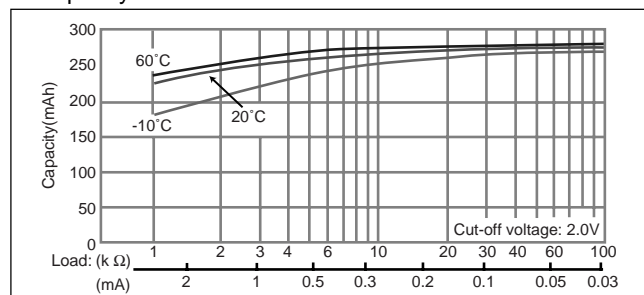
### □ Temperature Characteristics



### □ Operating voltage vs. load resistance (voltage at 50% discharge depth)



### □ Capacity vs. load resistance



# Manganese Dioxide Lithium Coin Batteries: Individual Specifications

## CR2354

### □ Dimensions(mm)



### □ Specification

<b>Nominal voltage (V)</b>	3
<b>Nominal capacity (mAh)</b>	560
<b>Continuous standard load (mA)</b>	0.2
<b>Operating temperature (C)</b>	-30 ~ +60

### □ Temperature Characteristics



### □ Operating voltage vs. load resistance (voltage at 50% discharge depth)



### □ Capacity vs. load resistance



## CR2412

### □ Dimensions(mm)



### □ Specification

<b>Nominal voltage (V)</b>	3
<b>Nominal capacity (mAh)</b>	100
<b>Continuous standard load (mA)</b>	0.2
<b>Operating temperature (C)</b>	-30 ~ +60

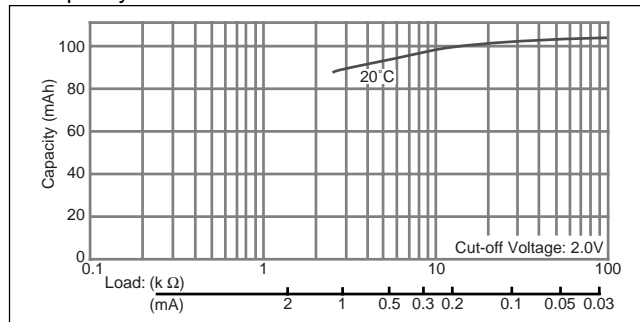
### □ Temperature Characteristics



### □ Operating voltage vs. load resistance (voltage at 50% discharge depth)



### □ Capacity vs. load resistance



# Manganese Dioxide Lithium Coin Batteries: Individual Specifications

## CR2354

### □ Dimensions(mm)



### □ Specification

<b>Nominal voltage (V)</b>	3
<b>Nominal capacity (mAh)</b>	560
<b>Continuous standard load (mA)</b>	0.2
<b>Operating temperature (C)</b>	-30 ~ +60

### □ Temperature Characteristics



### □ Operating voltage vs. load resistance (voltage at 50% discharge depth)



### □ Capacity vs. load resistance



## CR2412

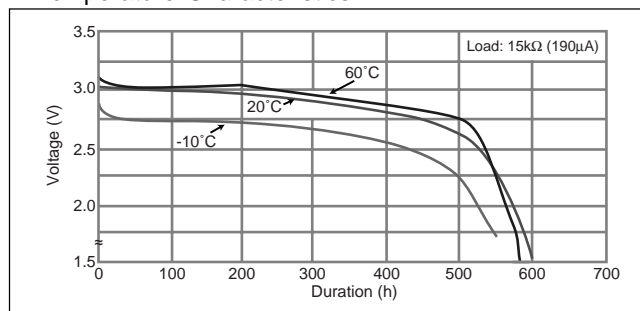
### □ Dimensions(mm)



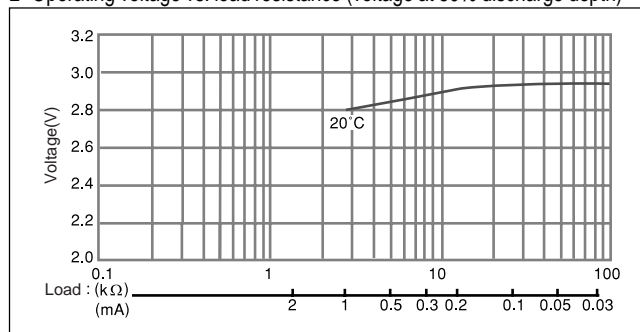
### □ Specification

<b>Nominal voltage (V)</b>	3
<b>Nominal capacity (mAh)</b>	100
<b>Continuous standard load (mA)</b>	0.2
<b>Operating temperature (C)</b>	-30 ~ +60

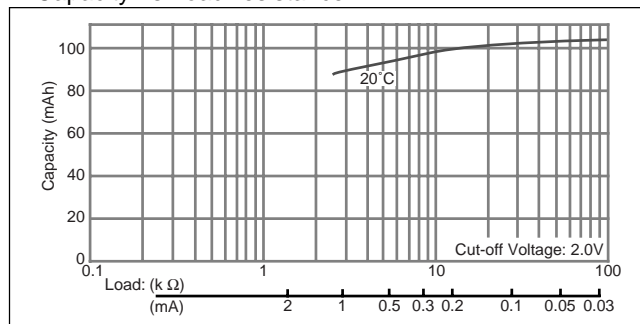
### □ Temperature Characteristics



### □ Operating voltage vs. load resistance (voltage at 50% discharge depth)



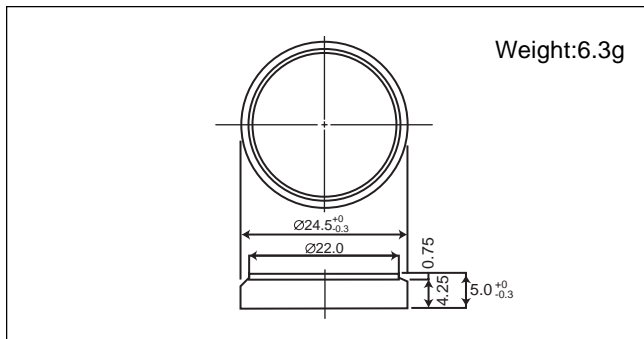
### □ Capacity vs. load resistance



# Manganese Dioxide Lithium Coin Batteries: Individual Specifications

## CR2450

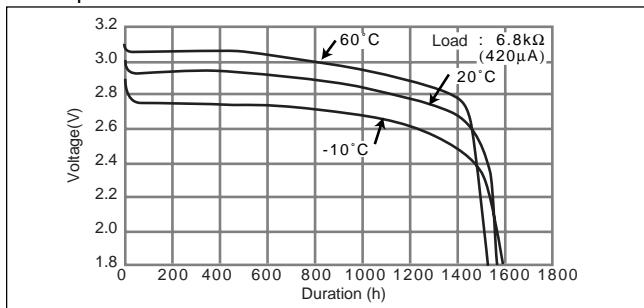
### ■ Dimensions(mm)



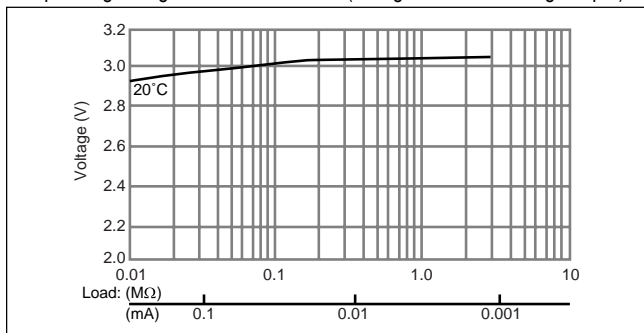
### ■ Specification

Nominal voltage (V)	3
Nominal capacity (mAh)	620
Continuous standard load (mA)	0.2
Operating temperature (C)	-30 ~ +60

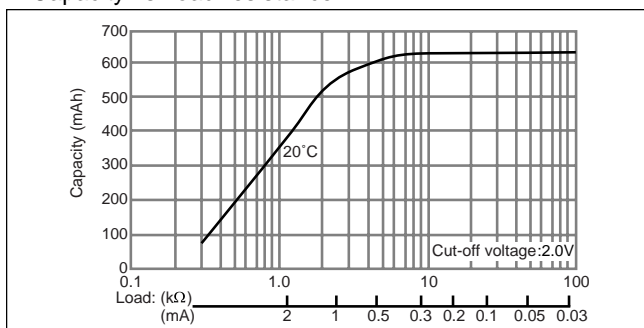
### ■ Temperature Characteristics



### ■ Operating voltage vs. load resistance (voltage at 50% discharge depth)

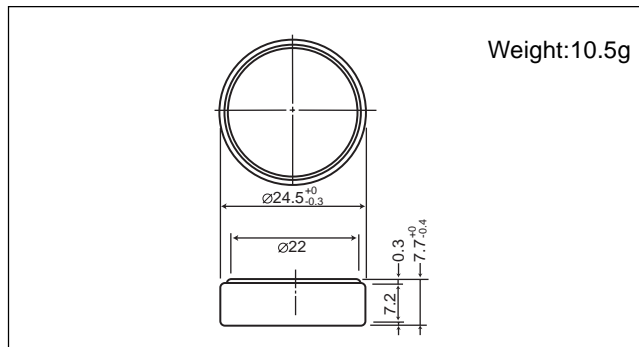


### ■ Capacity vs. load resistance



## CR2477

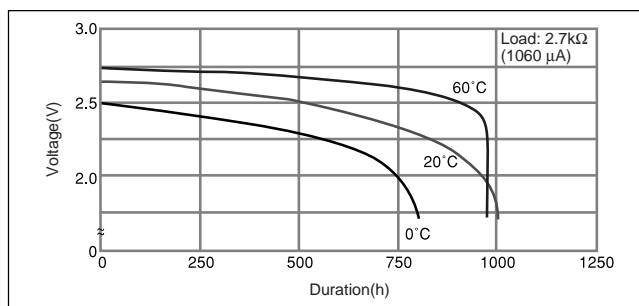
### ■ Dimensions(mm)



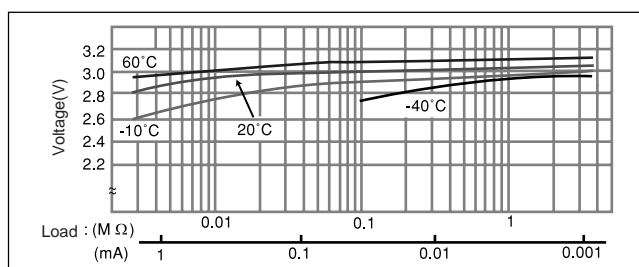
### ■ Specification

Nominal voltage (V)	3
Nominal capacity (mAh)	1,000
Continuous standard load (mA)	0.2
Operating temperature (C)	-30 ~ +60

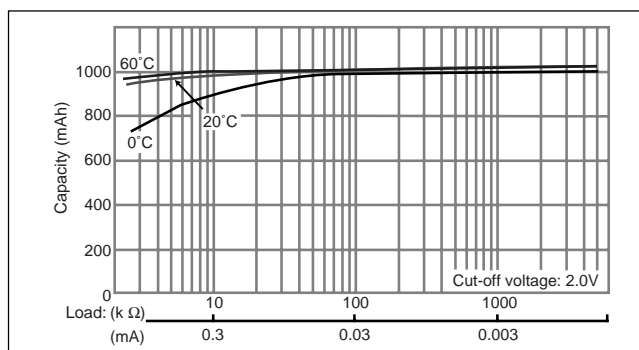
### ■ Temperature Characteristics



### ■ Operating voltage vs. load resistance (voltage at 50% discharge depth)



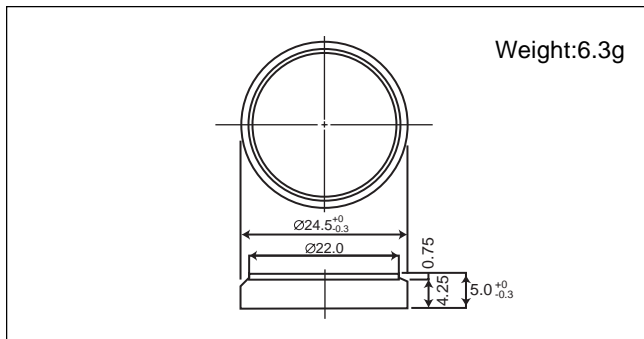
### ■ Capacity vs. load resistance



# Manganese Dioxide Lithium Coin Batteries: Individual Specifications

## CR2450

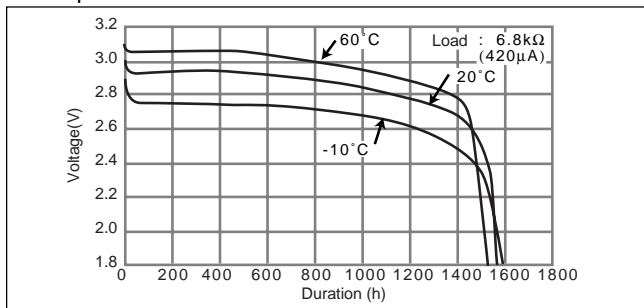
### ■ Dimensions(mm)



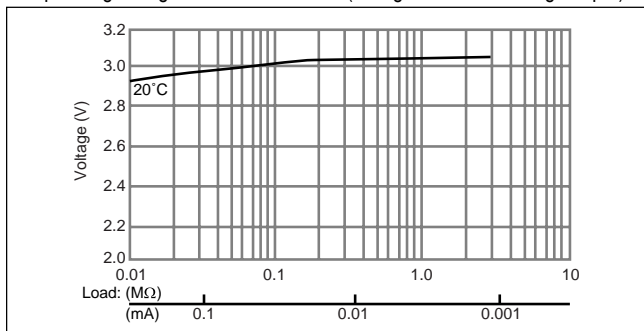
### ■ Specification

Nominal voltage (V)	3
Nominal capacity (mAh)	620
Continuous standard load (mA)	0.2
Operating temperature (C)	-30 ~ +60

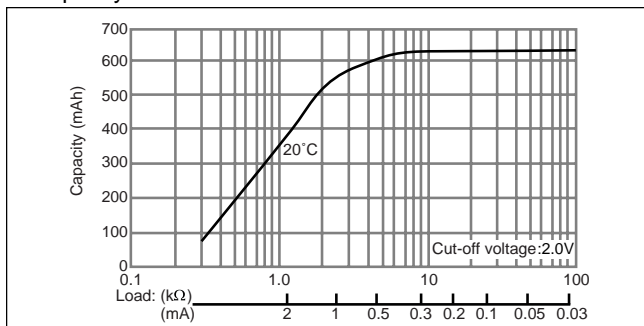
### ■ Temperature Characteristics



### ■ Operating voltage vs. load resistance (voltage at 50% discharge depth)

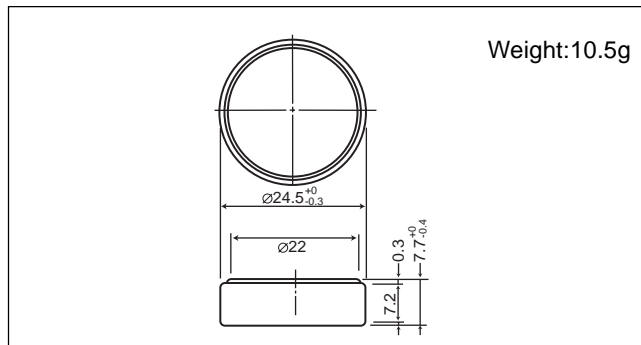


### ■ Capacity vs. load resistance



## CR2477

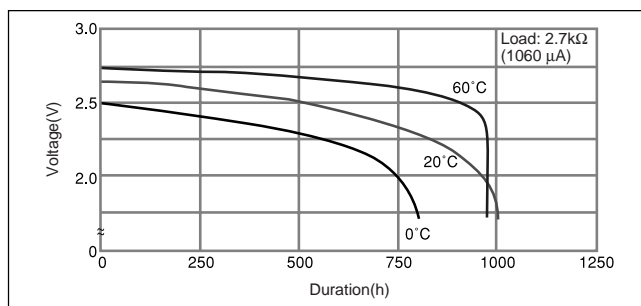
### ■ Dimensions(mm)



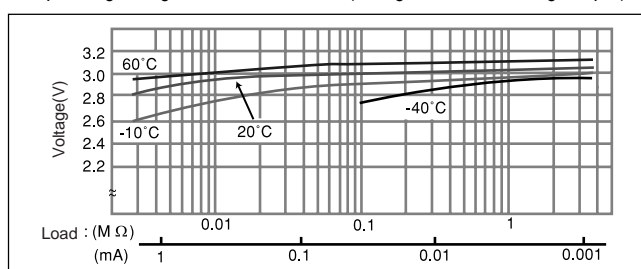
### ■ Specification

Nominal voltage (V)	3
Nominal capacity (mAh)	1,000
Continuous standard load (mA)	0.2
Operating temperature (C)	-30 ~ +60

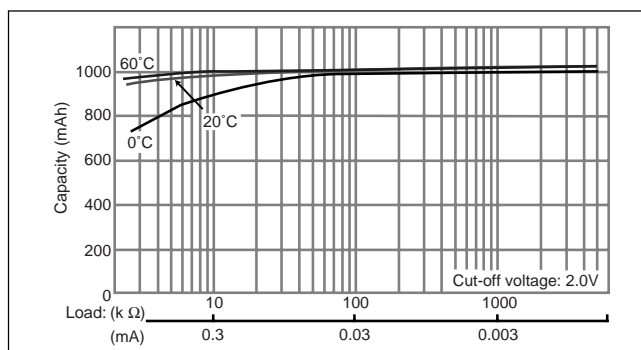
### ■ Temperature Characteristics



### ■ Operating voltage vs. load resistance (voltage at 50% discharge depth)



### ■ Capacity vs. load resistance



# Manganese Dioxide Lithium Coin Batteries: Individual Specifications

## CR3032

### □ Dimensions(mm)



### □ Specification

<b>Nominal voltage (V)</b>	3
<b>Nominal capacity (mAh)</b>	500
<b>Continuous standard load (mA)</b>	0.2
<b>Operating temperature (C)</b>	-30 ~ +60

### □ Temperature Characteristics



### □ Operating voltage vs. load resistance (voltage at 50% discharge depth)



### □ Capacity vs. load resistance





## Данный компонент на территории Российской Федерации

### Вы можете приобрести в компании MosChip.

Для оперативного оформления запроса Вам необходимо перейти по данной ссылке:

<http://moschip.ru/get-element>

Вы можете разместить у нас заказ для любого Вашего проекта, будь то серийное производство или разработка единичного прибора.

В нашем ассортименте представлены ведущие мировые производители активных и пассивных электронных компонентов.

Нашей специализацией является поставка электронной компонентной базы двойного назначения, продукции таких производителей как XILINX, Intel (ex.ALTERA), Vicor, Microchip, Texas Instruments, Analog Devices, Mini-Circuits, Amphenol, Glenair.

Сотрудничество с глобальными дистрибьюторами электронных компонентов, предоставляет возможность заказывать и получать с международных складов практически любой перечень компонентов в оптимальные для Вас сроки.

На всех этапах разработки и производства наши партнеры могут получить квалифицированную поддержку опытных инженеров.

Система менеджмента качества компании отвечает требованиям в соответствии с ГОСТ Р ИСО 9001, ГОСТ РВ 0015-002 и ЭС РД 009

### Офис по работе с юридическими лицами:

105318, г.Москва, ул.Щербаковская д.3, офис 1107, 1118, ДЦ «Щербаковский»

Телефон: +7 495 668-12-70 (многоканальный)

Факс: +7 495 668-12-70 (доб.304)

E-mail: [info@moschip.ru](mailto:info@moschip.ru)

Skype отдела продаж:

moschip.ru

moschip.ru\_4

moschip.ru\_6

moschip.ru\_9