



# MCP2021/2/1P/2P

## LIN Transceiver with Voltage Regulator

### Features

- The MCP2021/2/1P/2P are compliant with LIN Bus Specifications 1.3, 2.0, and 2.1 and are compliant to SAE J2602
- Support Baud Rates up to 20 Kbaud with LIN-compatible output driver
- 43V Load dump protected
- Very low EMI meets stringent OEM requirements
- Wide supply voltage, 6.0V - 18.0V continuous:
  - Maximum input voltage of 30V
- Extended Temperature Range: -40 to +125°C
- Interface to PIC EUSART and standard USARTs
- Local Interconnect Network (LIN) bus pin:
  - Internal pull-up resistor and diode
  - Protected against ground shorts
  - Protected against loss of ground
  - High current drive
- Automatic thermal shutdown
- On-Chip Voltage Regulator:
  - Output voltage of 5.0V with tolerances of  $\pm 3\%$  overtemperature range
  - Available with alternate output voltage of 3.3V with tolerances of  $\pm 3\%$  overtemperature range
  - Maximum continuous input voltage of 30V
  - Internal thermal overload protection
  - Internal short circuit current limit
  - External components limited to filter capacitor only and load capacitor
- Two low-power modes:
  - Receiver on, Transmitter off, voltage regulator on ( $\cong 85 \mu\text{A}$ )
  - Receiver monitoring bus, Transmitter off, voltage regulator off ( $\cong 16 \mu\text{A}$ )

### Description

The MCP2021/2/1P/2P provides a bidirectional, half-duplex communication physical interface to automotive and industrial LIN systems that meets the LIN bus specification Revision 2.0. The devices incorporate a voltage regulator with 5V at 50 mA or 3.3V at 50 mA regulated power-supply outputs.

The regulator is short-circuit protected, and is protected by an internal thermal shutdown circuit. The device has been specifically designed to operate in the automotive operating environment and will survive all specified transient conditions while meeting all of the stringent quiescent current requirements.

The MCP2021/2/1P/2P family of devices includes the following packages.

8-pin PDIP, DFN and SOIC packages:

- MCP2021-330, LIN-compatible driver, 8-pin, 3.3V regulator, wake up on dominant level of L<sub>BUS</sub>
- MCP2021-500, LIN-compatible driver, 8-pin, 5.0V regulator, wake up on dominant level of L<sub>BUS</sub>
- MCP2021P-330, LIN-compatible driver, 8-pin, 3.3V regulator, wake up at falling edge of L<sub>BUS</sub> voltage
- MCP2021P-500, LIN-compatible driver, 8-pin, 5.0V regulator, wake up at falling edge of L<sub>BUS</sub> voltage

14-pin PDIP, TSSOP and SOIC packages with  $\overline{\text{RESET}}$  output:

- MCP2022-330, LIN-compatible driver, 14-pin, 3.3V regulator, RESET output, wake up on dominant level of L<sub>BUS</sub>
- MCP2022-500, LIN-compatible driver, 14-pin, 5.0V regulator, RESET output, wake up on dominant level of L<sub>BUS</sub>
- MCP2022P-330, LIN-compatible driver, 14-pin, 3.3V regulator, RESET output, wake up at falling edge of L<sub>BUS</sub> voltage
- MCP2022P-500, LIN-compatible driver, 14-pin, 5.0V regulator, RESET output, wake up at falling edge of L<sub>BUS</sub> voltage



# MCP2021/2/1P/2P

## Package Types



## MCP2021/2 Block Diagram



## MCP2021P/2P Block Diagram



# MCP2021/2/1P/2P

---

NOTES:

## 1.0 DEVICE OVERVIEW

The MCP2021/2/1P/2P provides a physical interface between a microcontroller and a LIN half-duplex bus. It is intended for automotive and industrial applications with serial bus speeds up to 20 Kbaud.

The MCP2021/2/1P/2P provides a half-duplex, bidirectional communications interface between a microcontroller and the serial network bus. This device will translate the CMOS/TTL logic levels to LIN-level logic, and vice versa.

The LIN specification 2.0 requires that the transceiver(s) of all nodes in the system be connected via the LIN pin, referenced to ground, and with a maximum external termination resistance load of  $510\Omega$  from LIN bus to battery supply. The  $510\Omega$  corresponds to 1 Master and 16 Slave nodes.

The MCP2021/2/1P/2P-500 provides a +5V, 50 mA, regulated power output. The regulator uses an LDO design, is short-circuit protected, and will turn the regulator output off if it falls below 3.5V.

The MCP2021/2/1P/2P also includes thermal-shutdown protection.

The regulator is specifically designed to operate in the automotive environment and will survive +43V load dump transients, double-battery jumps, and reverse battery connections when a reverse blocking diode is used. The other members of the MCP2021/2/1P/2P-330 family output +3.3V at 50 mA with a turn-off voltage of 2.5V. (See [Section 1.6 “Internal Voltage Regulator”](#)).

MCP2021/2 wakes from Power-Down mode on a dominant level on LBUS. MCP2021P/2P wakes at a transition from recessive level to dominant level on LBUS.

### 1.1 Optional External Protection

#### 1.1.1 REVERSE BATTERY PROTECTION

An external reverse-battery-blocking diode should be used to provide polarity protection (see [Figure 1-6](#)).

#### 1.1.2 TRANSIENT VOLTAGE PROTECTION (LOAD DUMP)

An external 43V transient suppressor (TVS) diode, between  $V_{BB}$  and ground, with a  $50\Omega$  transient protection resistor (RTP) in series with the battery supply and the  $V_{BB}$  pin protect the device from power transients (see [Figure 1-6](#)) and ESD events. While this protection is optional, it is considered good engineering practice. The resistor value is chosen according to [Equation 1-1](#).

#### EQUATION 1-1:

$$RTP \leq (V_{BB_{min}} - 5.5) / 250 \text{ mA.}$$
$$5.5V = V_{UVLO} + 1.0V,$$

*250 mA is the peak current at Power-On when*

$$V_{BB} = 5.5V$$

### 1.2 Internal Protection

#### 1.2.1 ESD PROTECTION

For component-level ESD ratings, please refer to the [Section 2.1 “Absolute Maximum Ratings†”](#).

#### 1.2.2 GROUND LOSS PROTECTION

The LIN Bus specification states that the LIN pin must transition to the recessive state when ground is disconnected. Therefore, a loss of ground effectively forces the LIN line to a hi-impedance level.

#### 1.2.3 THERMAL PROTECTION

The thermal protection circuit monitors the die temperature and is able to shut down the LIN transmitter and voltage regulator if it detects a thermal overload.

There are three causes for a thermal overload. A thermal shut down can be triggered by any one, or a combination of, the following thermal overload conditions:

- Voltage regulator overload
- LIN bus output overload
- Increase in die temperature due to increase in environmental temperature

Driving the TXD and checking the RXD pin makes it possible to determine whether there is a bus contention (i.e., Rx = low, Tx = high) or a thermal overload condition (i.e., Rx = high, Tx = low).

# MCP2021/2/1P/2P



FIGURE 1-1: Thermal Shutdown State Diagrams.

## 1.3 Modes of Operation

For an overview of all operational modes, please refer to [Table 1-1](#).

### 1.3.1 POWER-ON RESET MODE

Upon application of  $V_{BB}$ , the device enters Power-on Reset mode (POR). During this mode, the part maintains the digital section in a Reset mode and waits until the voltage on pin  $V_{BB}$  rises above the “ON” threshold (Typ. 5.75V) to enter to the Ready mode. If during the operation, the voltage on pin  $V_{BB}$  falls below the “OFF” threshold (Typ. 4.25V), the part comes back to the POR mode.

### 1.3.2 POWER-DOWN MODE

In the Power-Down mode, the transmitter and the voltage regulator are off. Only the receiver wake-up from LIN bus section, and the CS/LWAKE pin wake-up circuits are in operation. This is the lowest power mode.

If pin CS/LWAKE goes to a high level during Power-Down mode, the device immediately enters Ready mode and enables the voltage regulator; and after the output has stabilized (approximately 0.3 ms to 1.2 ms), the device goes to Operation mode or Transmitter-Off mode (see [Figure 1-2](#) for MCP2021/2 and [Figure 1-3](#) for MCP2021P/2P).

**Note:** The above time interval <1.2 ms assumes 12V  $V_{BB}$  input and no thermal shutdown event.

LIN bus activity will also change the device from Power-Down mode to Ready mode. MCP2021/2 wakes up on dominant level of LIN bus, and MCP2021P/2P on a falling edge that follows a dominant level lasting 20  $\mu$ s of time.

The Power-Down mode can be reached through either Operation mode or Transmitter-Off mode.

### 1.3.3 READY MODE

Upon entering Ready mode, the voltage regulator and receiver-threshold-detect circuit are powered up. The transmitter remains in off state. The device is ready to receive data as soon as the regulator is stabilized, but not to transmit. If a microcontroller is being driven by the voltage regulator output, it will go through a POR and initialization sequence. The LIN pin is in the recessive state for MCP2021/2 and in floating state for MCP2021P/2P.

The device will stay in Ready mode until the output of the voltage regulator has stabilized and the CS/LWAKE pin is true ('1'). After  $V_{REG}$  is stable and CS/LWAKE is high, MCP2021/2 will enter Operation mode; and MCP2021P/2P will enter either Operation mode or Transmitter-Off mode, depending on the level of the  $\overline{\text{FAULT}}/\text{TXE}$  pin (refer to [Figure 1-3](#)).

### 1.3.4 OPERATION MODE

In this mode, all internal modules are operational.

The device will go into the Power-Down mode on the falling edge of CS/LWAKE.

For the MCP2021P/2P devices, the pull-up resistor is switched on only in this mode.

## 1.3.5 TRANSMITTER-OFF MODE

Whenever the  $\overline{\text{FAULT}}/\text{TXE}$  signal is low, or permanent dominant on TXD/LBUS is detected, the LBUS transmitter is off.

The transmitter may be re-enabled whenever the  $\overline{\text{FAULT}}/\text{TXE}$  signal returns high, either by removing the internal fault condition or when the CPU returning the  $\overline{\text{FAULT}}/\text{TXE}$  high. The transmitter will not be enabled if the  $\overline{\text{FAULT}}/\text{TXE}$  pin is brought high when the internal fault is still present.

If TX-OFF mode is caused by TXD/LBUS permanent dominant level, the transmitter can recover when the permanent dominant status disappears.

The transmitter is also turned off whenever the voltage regulator is unstable or recovering from a fault. This prevents unwanted disruption of the bus during times of uncertain operation.

## 1.3.6 WAKE-UP

The Wake-Up sub-module observes the LBUS in order to detect bus activity. Bus activity is detected when the voltage on the LBUS stays below a threshold of approximately  $0.4V_{\text{BB}}$  for at least a typical duration of 20  $\mu\text{s}$ . The MCP2021/2 device is level sensitive to LBUS. Dominant level longer than 20  $\mu\text{s}$  will cause the device to leave the Power-Down mode. The MCP2021P/2P device is falling-edge sensitive to LBUS. Only the LBUS transition from recessive to dominant followed by at least 20  $\mu\text{s}$  dominant level can wake up the device. Putting CS/LWAKE to high level also wakes up the device. Refer to [Figure 1-2](#) and [Figure 1-3](#).

## 1.3.7 DIFFERENCE DETAILS BETWEEN MCP2021/2 AND MCP2021P/2P

The MCP202xP is a minor variation of the MCP202x device that adds improved state machine control as well as the ability to disconnect the internal 30k $\Omega$  pull-up between LIN and VBB in all modes except normal operation. These changes allow the system designer to better handle fault conditions and reduce the overall system current consumption. The differences between the two device versions are as follows:

### 1. Switchable LIN-VBB Pull-Up Resistor:

On the MCP202xP device, the internal 30k $\Omega$  pull-up resistor is disconnected in all modes except Operation Mode. On the MCP202x device, this pull-up resistor is always connected. (See the [MCP2021/2 Block Diagram](#) and the [MCP2021P/2P Block Diagram](#) for details.)

### 2. Power Down Wake-up on LIN Traffic:

The MCP202xP device requires a LIN falling edge to generate a valid Wake condition due to bus traffic. The MCP202x device will generate a Wake anytime LIN is at a valid dominant level.

Because of this, if the LIN bus becomes permanently shorted, it becomes impossible to place the MCP202x in a low power state.

### 3. State Machine Options:

The MCP202xP device is able to enter Transmitter Off Mode from Ready Mode without transitioning through Operation Mode. The MCP202x device must enter Operation Mode from Ready Mode. (See State Machine Diagrams, [Figure 1-2](#) and [Figure 1-3](#) for details). This capability allows the system designer to monitor the bus in Ready Mode to determine if the system should transition to normal operation and connect the internal pull-up or if Ready Mode was reached due to an invalid condition. In the case of an invalid condition, the MCP202xP device can be placed into Power Down mode without connecting the internal pull-up and waking other nodes on the LIN Bus network.

**Note:** To enter Transmitter Off, the system must set TXE 'low' before pulling CS high (see [Figure 1-5](#)). Otherwise, if CS is pulled high first, the MCP202xP will enter Operation Mode due to the internal pull-up on TXE.

To properly take advantage of the device differences will require the system designer to implement some microcontroller code to the power-up routine. This code will monitor the status of the LIN bus to determine how the dominant signal should be responded to. It will also determine if the local LIN node needs to respond or can 'Listen Only'. If the local LIN node does not need to respond, it can enter Transmitter Off Mode, disconnecting the 30k $\Omega$  pull-up, reducing module current while still maintaining the ability to properly receive all valid LIN messages.

# MCP2021/2/1P/2P



**FIGURE 1-2:** MCP2021/2 Operational Modes State Diagrams.

**Note:** While the device is in shutdown, TXD should not be actively driven high or it may power internal logic through the ESD diodes and may damage the device.



**FIGURE 1-3:** MCP2021P/2P Operational Modes State Diagrams.





**FIGURE 1-4:** MCP2021P/2P Wake-Up Due to Bus Disconnecting.

# MCP2021/2/1P/2P



**FIGURE 1-5:** Forced Power-Down Mode Sequence for MCP2021P/2P.

**TABLE 1-1: OVERVIEW OF OPERATIONAL MODES**

| State           | Transmitter | Receiver        | Voltage Regulator | Operation  | Comments              |
|-----------------|-------------|-----------------|-------------------|--|-----------------------|
| POR             | OFF         | OFF             | OFF               | Read VBB; if VBB>5.75V, enter Ready mode   |                       |
| Ready           | OFF         | ON              | ON                | <p><b>MCP2021/2:</b><br/>If CS/LWAKE is high level, then Operation mode.</p> <p><b>MCP2021P/2P:</b><br/>If CS/LWAKE is high level and <math>\overline{\text{FAULT}}/\overline{\text{TXE}}</math> is high level, then Operation mode.<br/>If CS/LWAKE is high level and <math>\overline{\text{FAULT}}/\overline{\text{TXE}}</math> is low level, then TXOFF mode.</p> | Bus Off state         |
| Operation       | ON          | ON              | ON                | <p>If CS/LWAKE is low level, then Power-Down mode.</p> <p>If <math>\overline{\text{FAULT}}/\overline{\text{TXE}}</math> is low level or TXD/LBUS permanent dominant is detected, then Transmitter-Off mode.</p>  | Normal Operation mode |
| Power-Down      | OFF         | Activity Detect | OFF               | On LIN bus falling, go to Ready mode. On CS/LWAKE high level, go through Ready mode; then, to either operation or Transmitter-Off mode (refer to <a href="#">Figure 1-2</a> and <a href="#">Figure 1-3</a> ).  | Low Power mode        |
| Transmitter-Off | OFF         | ON              | ON                | <p>If CS/LWAKE is low level, then Power-Down mode.</p> <p>If <math>\overline{\text{FAULT}}/\overline{\text{TXE}}</math> is high, then Operation mode.</p>  |                       |

# MCP2021/2/1P/2P

## 1.4 Pin Descriptions

TABLE 1-1: PINOUT DESCRIPTIONS

| Pin Name                             | Devices               |                          | Pin Type | Function                                     |
|--------------------------------------|-----------------------|--------------------------|----------|--|
|                                      | 8-Pin DFN, PDIP, SOIC | 14-Pin PDIP, SOIC, TSSOP |          | Normal Operation                             |
| VREG                                 | 3                     | 3                        | O        | Power Output                                 |
| VSS                                  | 5                     | 11                       | P        | Ground                                       |
| VBB                                  | 7                     | 13                       | P        | Battery Supply                               |
| TXD                                  | 4                     | 4                        | I        | Transmit Data Input (TTL)                    |
| RXD                                  | 1                     | 1                        | O        | Receive Data Output (CMOS)                   |
| LBUS                                 | 6                     | 12                       | I/O      | LIN bus (bidirectional)                      |
| CS/LWAKE                             | 2                     | 2                        | TTL      | Chip Select (TTL)                            |
| $\overline{\text{FAULT}}/\text{TXE}$ | 8                     | 14                       | OD       | Fault Detect Output, Transmitter Enable (OD) |
| $\overline{\text{RESET}}$            | —                     | 5                        | OD       | $\overline{\text{RESET}}$ signal Output (OD) |

**Legend:** O = Output, P = Power, I = Input, TTL = TTL input buffer, OD = Open-Drain output

### 1.4.1 POWER OUTPUT (VREG)

Positive Supply Voltage Regulator Output pin.

### 1.4.2 GROUND (VSS)

Ground pin.

### 1.4.3 BATTERY (VBB)

Battery Positive Supply Voltage pin. This pin is also the input for the internal voltage regulator.

### 1.4.4 TRANSMIT DATA INPUT (TXD)

The Transmit Data Input pin has an internal pull-up to VREG. The LIN pin is low (dominant) when TXD is low, and high (recessive) when TXD is high.

For extra bus security, TXD is internally forced to '1' when VREG is less than 1.8V (typ.).

If the thermal protection detects an over-temperature condition while the signal TXD is low, the transmitter is shut down. The recovery from the thermal shutdown is equal to adequate cooling time.

### 1.4.5 RECEIVE DATA OUTPUT (RXD)

The Receive Data Output pin is a standard CMOS output and follows the state of the LIN pin.

### 1.4.6 LIN BUS

The bidirectional LIN bus Interface pin is the driver unit for the LIN pin and is controlled by the signal TXD. LIN has an open collector output with a current limitation. To reduce EMI, the edges during the signal changes are slope-controlled. To further reduce radiated emissions, the LBUS pin has corner-rounding control for both falling and rising edges.

The internal LIN receiver observes the activities on the LIN bus, and generates output signal RXD that follows the state of the LBUS. A 1<sup>st</sup> degree with 1  $\mu$ S time constant (160KhZ), low-pass input filter is placed to maintain EMI immunity.

### 1.4.7 CS/LWAKE

Chip Select Input pin. A internal pull-down resistor will keep the CS/LWAKE pin low. This is done to ensure that no disruptive data will be present on the bus while the microcontroller is executing a POR and I/O initialization sequence. The pin must see a high level to activate the transmitter.

If CS/LWAKE = '0' when the VBB supply is turned on, the device stays in Ready mode (Low-Power mode). In Ready mode, both the receiver and the voltage regulator are on and the LIN transmitter driver is off.

If CS/LWAKE = '1' when the VBB supply is turned on, the device will proceed to either Operation or Transmitter-Off mode (refer to [Figure 1-2](#) and [Figure 1-3](#)) after the VREG output has stabilized.

This pin may also be used as a local wake-up input (see [Figure 1-6](#)). In this implementation, the microcontroller will set the I/O pin that controls the CS/LWAKE as an high-impedance input. The internal pull-down resistor will keep the input low. An external switch, or other source, can then wake up the transceiver and the microcontroller.

**Note:** CS/LWAKE should not be tied directly to VREG as this could force the MCP202x into Operation mode before the microcontroller is initialized.

## 1.4.8 $\overline{\text{FAULT/TXE}}$

Fault Detect Output and Transmitter Enable Input bidirectional pin.

This pin is an open-drain output. Its state is defined as shown in [Table 1-2](#). The transmitter driver is disabled whenever this pin is low ('0'), either from an internal fault condition or by external drive. This allows the transmitter to be placed in an off state and still allow the voltage regulator to operate. Refer to [Table 1-1](#).

The  $\overline{\text{FAULT/TXE}}$  also signals a mismatch between the TXD input and the L<sub>BUS</sub> level. This can be used to detect a bus contention. Since the bus exhibits a propagation delay, the sampling of the internal compare is debounced to eliminate false faults.

This pin has an internal pull-up resistor of approximately 750 k $\Omega$ .

- Note 1:** The  $\overline{\text{FAULT/TXE}}$  pin is true (0) whenever the internal circuits have detected a short or thermal excursion and have disabled the L<sub>BUS</sub> output driver.
- 2:**  $\overline{\text{FAULT/TXE}}$  is true (0) when V<sub>REG</sub> not OK and has disabled the L<sub>BUS</sub> output driver.

The  $\overline{\text{FAULT/TXE}}$  pin sampled at a rate faster than every 10  $\mu\text{s}$ .

**TABLE 1-2:  $\overline{\text{FAULT/TXE}}$  TRUTH TABLE**

| TXD In | RXD Out | LIN <sub>BUS</sub> I/O | Thermal Override | $\overline{\text{FAULT/TXE}}$ |               | Definition   |
|--------|---------|------------------------|------------------|-------------------------------|---------------|--|
|        |         |                        |                  | External Input                | Driven Output |  |
| L      | H       | V <sub>BB</sub>        | OFF              | H                             | L             | <b>FAULT</b> , TXD driven low, LIN <sub>BUS</sub> shorted to V <sub>BB</sub> ( <b>Note 1</b> ) |
| H      | H       | V <sub>BB</sub>        | OFF              | H                             | H             | <b>OK</b>  |
| L      | L       | GND                    | OFF              | H                             | H             | <b>OK</b>  |
| H      | L       | GND                    | OFF              | H                             | H             | <b>OK</b> , data is being received from the LIN <sub>BUS</sub>                                 |
| x      | x       | V <sub>BB</sub>        | ON               | H                             | L             | <b>FAULT</b> , transceiver in thermal shutdown   |
| x      | x       | V <sub>BB</sub>        | x                | L                             | x             | <b>NO FAULT</b> , the CPU is commanding the transceiver to turn off the transmitter driver     |

**Legend:** x = don't care

**Note 1:** The  $\overline{\text{FAULT/TXE}}$  is valid after approximately 25  $\mu\text{s}$  after TXD falling edge. This is to eliminate false fault reporting during bus propagation delays.

## 1.4.9 $\overline{\text{RESET}}$

$\overline{\text{RESET}}$  is an open-drain output pin. This pin reflects an internal signal that tracks the internal system voltage has reached a valid, stable level.

As long as the internal voltage is valid, this pin will keep high impedance. When the system voltage drops below the minimum required, the voltage regulator will shut down and immediately convert the  $\overline{\text{RESET}}$  output to short to GND. A pull-up resistor is needed to change the output to high/low voltage. When connected to a micro-controller input, this can provide a warning that the voltage regulator is shutting down (see [Figure 1-2](#)).

Alternately, it can act as an external brown-out by connecting the  $\overline{\text{RESET}}$  output to MCLR (see [Figure 1-2](#)). In addition to monitoring the internal voltage,  $\overline{\text{RESET}}$  is asserted immediately upon entering the Power-Down mode.

# MCP2021/2/1P/2P

## 1.5 Typical Applications



**FIGURE 1-6:** Typical MCP2021/MCP2021P Application.



**FIGURE 1-7:** Typical MCP2022/MCP2022P Application.



**FIGURE 1-8:** Typical LIN Network Configuration.

# MCP2021/2/1P/2P

## 1.6 Internal Voltage Regulator

### 1.6.1 5.0V REGULATOR

The MCP2021 has a low-drop-out voltage, positive regulator capable of supplying 5.00 V<sub>DC</sub> ±3% at up to 50 mA of load current over the entire operating temperature range of -40°C to +125°C. With a load current of 50 mA, the minimum input to output voltage differential required for the output to remain in regulation is typically +0.5V (+1V maximum over the full operating temperature range). Quiescent current is less than 100 µA with a full 50 mA load current when the input to output voltage differential is greater than +3.00V.

The regulator requires an external output bypass capacitor for stability. See [Figure 2-3](#) for correct capacity and ESR for stable operation.

Designed for automotive applications, the regulator will protect itself from double-battery jumps and up to +43V load dump transients. The voltage regulator has both short-circuit and thermal-shut-down protection built in.

Regarding the correlation between V<sub>BB</sub>, V<sub>REG</sub> and I<sub>DD</sub>, please refer to [Figure 1-10](#) through [Figure 1-12](#). When the input voltage (V<sub>BB</sub>) drops below the differential needed to provide stable regulation, the output V<sub>REG</sub> will track the input down to approximately 3.5V, at which point the regulator will turn off. This will allow microcontrollers with internal POR circuits to generate a clean arming of the POR trip point. The MCP2021 will then monitor V<sub>BB</sub> and turn on the regulator when V<sub>BB</sub> rises above 5.75, again.

When the input voltage (V<sub>BB</sub>) drops below the differential needed to provide stable regulation, the output (V<sub>REG</sub>) will track the input down to approximately +4.25V. The regulator will turn off the output at this point. This will allow PIC<sup>®</sup> microcontrollers with internal POR circuits to generate a clean arming of the POR trip point. The regulator output will stay off until V<sub>BB</sub> is above +5.75 V<sub>DC</sub>.

In the start phase, the device must detect at least 5.75V to initiate operation during power up. In the Power-Down mode, the V<sub>BB</sub> monitor will be turned off.

**Note:** The regulator has an overload current limiting of approximately 100 mA. During a short circuit, the V<sub>REG</sub> is monitored. If V<sub>REG</sub> is lower than 3.5V, the V<sub>REG</sub> will turn off. After a recovery time of about three milliseconds, the V<sub>REG</sub> will be checked again. If there is no short circuit (V<sub>REG</sub> >3.5V), the V<sub>REG</sub> will be switched back on.

The regulator has a thermal shutdown. If the thermal protection circuit detects an overtemperature condition, and the signals TXD and RXD are LOW, or TXD is HIGH, the regulator will shut down. The recovery from the thermal shutdown is equal to adequate cooling time.



**FIGURE 1-9:** Voltage Regulator Block Diagram.



## 1.6.2 3.3V REGULATOR

A metal option provides for an alternate 3.30 VDC  $\pm 3\%$  at up to 50 mA of load current over the entire operating temperature range of  $-40^{\circ}\text{C}$  to  $+125^{\circ}\text{C}$ . All specifications given above for the 5.0V operation apply except for any difference noted here.

The same input tracking of 4.25V applies the 3.3V regulator.

**Note:** The regulator has an overload current limiting of approximately 100 mA. If  $V_{\text{REG}}$  is lower than 2.5V, the  $V_{\text{REG}}$  will turn off.



**FIGURE 1-10:** Voltage Regulator Output on POR.

# MCP2021/2/1P/2P



**FIGURE 1-11:** Voltage Regulator Output on Power Dip.



**FIGURE 1-12:** Voltage Regulator Output on Overcurrent Situation.

## 1.7 ICSP™ Considerations

The following should be considered when the MCP2021/2/1P/2P is connected to pins supporting in-circuit programming:

- Power used for programming the microcontroller can be supplied from the programmer or from the MCP2021/2/1P/2P.
- The voltage on  $V_{REG}$  should not exceed the maximum output voltage of  $V_{REG}$ .

# MCP2021/2/1P/2P

---

NOTES:

## 2.0 ELECTRICAL CHARACTERISTICS

### 2.1 Absolute Maximum Ratings†

|  |                                |
|--|--------------------------------|
| V <sub>IN</sub> DC Voltage on RXD and TXD .....  | -0.3 to V <sub>REG</sub> +0.3V |
| V <sub>IN</sub> DC Voltage on $\overline{\text{FAULT}}$ and $\overline{\text{RESET}}$ .....          | -0.3 to +5.5V                  |
| V <sub>IN</sub> DC Voltage on CS/LWAKE.....  | -0.3 to +43V                   |
| V <sub>BB</sub> Battery Voltage, non-operating (LIN bus recessive, no regulator load, t < 60s) ..... | -0.3 to +43V                   |
| V <sub>BB</sub> Battery Voltage, transient ISO 7637 Test 1 .....                                     | -200V                          |
| V <sub>BB</sub> Battery Voltage, transient ISO 7637 Test 2a .....                                    | +150V                          |
| V <sub>BB</sub> Battery Voltage, transient ISO 7637 Test 3a .....                                    | -300V                          |
| V <sub>BB</sub> Battery Voltage, transient ISO 7637 Test 3b .....                                    | +200V                          |
| V <sub>BB</sub> Battery Voltage, continuous .....  | -0.3 to +30V                   |
| V <sub>LBUS</sub> Bus Voltage, continuous.....   | -18 to +30V                    |
| V <sub>LBUS</sub> Bus Voltage, transient ( <b>Note 1</b> ).....                                      | -27 to +43V                    |
| I <sub>LBUS</sub> Bus Short Circuit Current Limit .....  | 200 mA                         |
| ESD protection on LIN, V <sub>BB</sub> (IEC 61000-4-2, 330 Ohm, 150 pF) ( <b>Note 3</b> ).....       | minimum ±9 kV                  |
| ESD protection on LIN, V <sub>BB</sub> (Charge Device Model) ( <b>Note 2</b> ).....                  | ±1500V                         |
| ESD protection on LIN, V <sub>BB</sub> (Human Body Model, 1 kOhm, 100 pF) ( <b>Note 4</b> ).....     | ±8 kV                          |
| ESD protection on LIN, V <sub>BB</sub> (Machine Model) ( <b>Note 2</b> ).....                        | ±800V                          |
| ESD protection on all other pins (Human Body Model) ( <b>Note 2</b> ) .....                          | > 4 kV                         |
| Maximum Junction Temperature .....   | 150°C                          |
| Storage Temperature .....  | -55 to +150°C                  |

**Note 1:** ISO 7637/1 load dump compliant (t < 500 ms).

**2:** According to JESD22-A114-B.

**3:** According to IBEE, without bus filter.

**4:** Limited by Test Equipment.

† **NOTICE:** Stresses above those listed under “Maximum Ratings” may cause permanent damage to the device. This is a stress rating only and functional operation of the device at those or any other conditions above those indicated in the operational listings of this specification is not implied. Exposure to maximum rating conditions for extended periods may affect device reliability.

# MCP2021/2/1P/2P

## 2.2 DC Specifications

| DC Specifications                                     | Electrical Characteristics:<br>Unless otherwise indicated, all limits are specified for:<br>V <sub>BB</sub> = 6.0V to 18.0V<br>T <sub>A</sub> = -40°C to +125°C<br>C <sub>LOADREG</sub> = 10 μF |                                    |      |                       |      |  |
|---|---|------------------------------------|------|-----------------------|------|--|
|   | Parameter   | Sym                                | Min. | Typ.                  | Max. | Units  |
| <b>Power</b>  |   |                                    |      |                       |      |  |
| V <sub>BB</sub> Quiescent Operating Current           | IBBQ  |                                    | 115  | 210                   | μA   | I <sub>OUT</sub> = 0 mA, L <sub>BUS</sub> recessive  |
|   |   | —                                  | 120  | 215                   | μA   | V <sub>OUT</sub> = 3.3V  |
| V <sub>BB</sub> Transmitter-off Current               | IBBTO   | —                                  | 90   | 190                   | μA   | With V <sub>REG</sub> on, transmitter off, receiver on, FAULT/TXE = V <sub>IL</sub> , CS = V <sub>IH</sub>                                       |
|   |   | —                                  | 95   | 210                   | μA   | V <sub>OUT</sub> = 3.3V  |
| V <sub>BB</sub> Power-Down Current                    | IBBPD   | —                                  | 16   | 26                    | μA   | With V <sub>REG</sub> powered-off, receiver on and transmitter off, FAULT/TXE = V <sub>IH</sub> , TXD = V <sub>IH</sub> , CS = V <sub>IL</sub> ) |
| V <sub>BB</sub> Current with V <sub>SS</sub> Floating | IBBNOGND  | -1                                 | —    | 1                     | mA   | V <sub>BB</sub> = 12V, GND to V <sub>BB</sub> , V <sub>LIN</sub> = 0-18V   |
| <b>Microcontroller Interface</b>                      |   |                                    |      |                       |      |  |
| High Level Input Voltage (TXD, FAULT/TXE)             | V <sub>IH</sub>   | 2.0 or (0.25V <sub>REG</sub> +0.8) | —    | V <sub>REG</sub> +0.3 | V    |  |
| Low Level Input Voltage (TXD, FAULT/TXE)              | V <sub>IL</sub>   | -0.3                               | —    | 0.15 V <sub>REG</sub> | V    |  |
| High Level Input Current (TXD, FAULT/TXE)             | I <sub>IH</sub>   | -2.5                               | —    | —                     | μA   | Input voltage = 0.8*V <sub>REG</sub>   |
| Low Level Input Current (TXD, FAULT/TXE)              | I <sub>IL</sub>   | -10                                | —    | —                     | μA   | Input voltage = 0.2*V <sub>REG</sub>   |
| Pull-up Current on Input (TXD)                        | I <sub>PUTXD</sub>  | -3.0                               | —    | —                     | μA   | ~800 kΩ internal pull-up to V <sub>REG</sub> @ V <sub>IH</sub> = 0.7*V <sub>REG</sub>  |
| High Level Input Voltage (CS/LWAKE)                   | V <sub>IH</sub>   | 0.7V <sub>REG</sub>                | —    | V <sub>BB</sub>       | V    | Through a current-limiting resistor  |
| Low Level Input Voltage (CS/LWAKE)                    | V <sub>IL</sub>   | -0.3                               | —    | 0.3V <sub>REG</sub>   | V    |  |
| High Level Input Current (CS/LWAKE)                   | I <sub>IH</sub>   | —                                  | —    | 7.0                   | μA   | Input voltage = 0.8*V <sub>REG</sub>   |
| Low Level Input Current (CS/LWAKE)                    | I <sub>IL</sub>   | —                                  | —    | 3.0                   | μA   | Input voltage = 0.2*V <sub>REG</sub>   |
| Pull-down Current on Input (CS/LWAKE)                 | I <sub>PDCS</sub>   | —                                  | —    | 6.0                   | μA   | ~1.3MΩ internal pull-down to V <sub>SS</sub> @ V <sub>IH</sub> = 3.5V  |

**Note 1:** Internal current limited. 2.0 ms maximum recovery time (R<sub>LBUS</sub> = 0Ω, TX = 0.4 V<sub>REG</sub>, V<sub>LBUS</sub> = V<sub>BB</sub>).

**2:** For design guidance only, not tested.

**3:** Node has to sustain the current that can flow under this condition; bus must be operational under this condition.

## 2.2 DC Specifications (Continued)

| DC Specifications   |  | Electrical Characteristics:<br>Unless otherwise indicated, all limits are specified for:<br>V <sub>BB</sub> = 6.0V to 18.0V<br>T <sub>A</sub> = -40°C to +125°C<br>C <sub>LOADREG</sub> = 10 μF |                     |                       |       |   |
|---|--|---|---------------------|-----------------------|-------|---|
| Parameter   | Sym                                      | Min.  | Typ.                | Max.                  | Units | Conditions  |
| <b>Bus Interface</b>  |  |   |                     |                       |       |   |
| High Level Input Voltage  | V <sub>IH</sub> (L <sub>BUS</sub> )      | 0.6 V <sub>BB</sub>   | —                   | 18                    | V     | Recessive state   |
| Low Level Input Voltage   | V <sub>IL</sub> (L <sub>BUS</sub> )      | -8  | —                   | 0.4 V <sub>BB</sub>   | V     | Dominant state  |
| Input Hysteresis  | V <sub>HYS</sub>                         | —   | —                   | 0.175 V <sub>BB</sub> | V     | V <sub>IH</sub> (L <sub>BUS</sub> ) - V <sub>IL</sub> (L <sub>BUS</sub> )   |
| Low Level Output Current  | I <sub>OL</sub> (L <sub>BUS</sub> )      | 40  | —                   | 200                   | mA    | Output voltage = 0.1 V <sub>BB</sub> ,<br>V <sub>BB</sub> = 12V   |
| Pull-up Current on Input  | I <sub>PU</sub> (L <sub>BUS</sub> )      | 5   | —                   | 180                   | μA    | ~30 kΩ internal pull-up<br>@ V <sub>IH</sub> (L <sub>BUS</sub> ) = 0.7 V <sub>BB</sub>                                    |
| Short Circuit Current Limit                                       | I <sub>SC</sub>                          | 50  | —                   | 200                   | mA    | <b>(Note 1)</b>   |
| High Level Output Voltage   | V <sub>OH</sub> (L <sub>BUS</sub> )      | 0.8 V <sub>BB</sub>   | —                   | V <sub>BB</sub>       | V     | V <sub>OH</sub> (L <sub>BUS</sub> ) must be at least<br>0.8 V <sub>BB</sub>   |
| Low Level Output Voltage  | V <sub>OLLO</sub><br>(L <sub>BUS</sub> ) | —   | —                   | 0.2 V <sub>BB</sub>   | V     |   |
| Input Leakage Current (at the receiver during dominant bus level) | I <sub>BUS_PAS_DOM</sub>                 | -1  | —                   | —                     | mA    | Driver off,<br>V <sub>BUS</sub> = 0V,<br>V <sub>BAT</sub> = 12V   |
| Leakage Current (disconnected from ground)                        | I <sub>BUS_NO_GND</sub>                  | -1  | —                   | +1                    | mA    | G <sub>NDDEVICE</sub> = V <sub>BAT</sub> ,<br>0V < V <sub>BUS</sub> < 18V,<br>V <sub>BAT</sub> = 12V                      |
| Leakage Current (disconnected from V <sub>BAT</sub> )             | I <sub>BUS</sub>                         | —   | —                   | 10                    | μA    | V <sub>BAT</sub> = G <sub>ND</sub> ,<br>0 < V <sub>BUS</sub> < 18V,<br>T <sub>A</sub> = -40°C to +85°C<br><b>(Note 3)</b> |
|   |  |   |                     | 50                    | μA    | T <sub>A</sub> = +85°C to +125°C  |
| Receiver Center Voltage   | V <sub>BUS_CNT</sub>                     | 0.475 V <sub>BB</sub>   | 0.5 V <sub>BB</sub> | 0.525 V <sub>BB</sub> | V     | V <sub>BUS_CNT</sub> = (V <sub>IL</sub> (L <sub>BUS</sub> ) +<br>V <sub>IH</sub> (L <sub>BUS</sub> ))/2                   |
| Slave Termination   | R <sub>slave</sub>                       | 20  | 30                  | 47                    | kΩ    |   |

**Note 1:** Internal current limited. 2.0 ms maximum recovery time (R<sub>L<sub>BUS</sub></sub> = 0Ω, T<sub>X</sub> = 0.4 V<sub>REG</sub>, V<sub>L<sub>BUS</sub></sub> = V<sub>BB</sub>).

**2:** For design guidance only, not tested.

**3:** Node has to sustain the current that can flow under this condition; bus must be operational under this condition.

# MCP2021/2/1P/2P

## 2.2 DC Specification (Continued)

| DC Specifications                    | Electrical Characteristics:  |      |      |      |               |   |
|--------------------------------------|--|------|------|------|---------------|---|
|                                      | Unless otherwise indicated, all limits are specified for:<br>$V_{BB} = 6.0V$ to $18.0V$<br>$T_A = -40^{\circ}C$ to $+125^{\circ}C$<br>$C_{LOADREG} = 10 \mu F$ |      |      |      |               |   |
| Parameter                            | Sym  | Min. | Typ. | Max. | Units         | Conditions  |
| <b>Voltage Regulator - 5.0V</b>      |  |      |      |      |               |   |
| Output Voltage                       | $V_{OUT}$  | 4.85 | 5.00 | 5.15 | V             | $0 \text{ mA} < I_{OUT} < 50 \text{ mA}$ ,  |
| Load Regulation                      | $\Delta V_{OUT2}$  | —    | 10   | 50   | mV            | $5 \text{ mA} < I_{OUT} < 50 \text{ mA}$<br>refer to <b>Section 1.6</b><br>“Internal Voltage Regulator”                   |
| Quiescent Current                    | $I_{VRQ}$  | —    | —    | 25   | $\mu A$       | $I_{OUT} = 0 \text{ mA}$ , ( <b>Note 2</b> )  |
| Power Supply Ripple Reject           | PSRR   | —    | —    | 50   | dB            | $1 V_{PP}$ @ 10-20 kHz<br>$C_{LOAD} = 10 \mu f$ ,<br>$I_{LOAD} = 50 \text{ mA}$   |
| Output Noise Voltage                 | eN   | —    | —    | 100  | $\mu V_{RMS}$ | 10 Hz – 40 MHz<br>$C_{FILTER} = 10 \mu f$ ,<br>$C_{BP} = 0.1 \mu f$ , $C_{LOAD} 10 \mu f$ ,<br>$I_{LOAD} = 50 \text{ mA}$ |
| Shutdown Voltage                     | $V_{SD}$   | 3.5  | —    | 4.0  | V             | See <a href="#">Figure 1-8</a>  |
| Input Voltage to Maintain Regulation | $V_{BB}$   | 6.0  | —    | 18.0 | V             |   |
| Input Voltage to Turn Off Output     | $V_{OFF}$  | 4.0  | —    | 4.5  | V             |   |
| Input Voltage to Turn On Output      | $V_{ON}$   | 5.5  | —    | 6.0  | V             |   |

- Note 1:** Internal current limited. 2.0 ms maximum recovery time ( $R_{L_{BUS}} = 0\Omega$ ,  $T_X = 0.4 V_{REG}$ ,  $V_{L_{BUS}} = V_{BB}$ ).
- Note 2:** For design guidance only, not tested.
- Note 3:** Node has to sustain the current that can flow under this condition; bus must be operational under this condition.



**FIGURE 2-1:** MCP2021-500 Safe Operating Range.



## 2.2 DC Specification (Continued)

| Parameter  | Sym               | Min. | Typ. | Max. | Units                     | Conditions  |
|--|-------------------|------|------|------|---------------------------|---|
| <b>Electrical Characteristics:</b><br>Unless otherwise indicated, all limits are specified for:<br>$V_{BB} = 6.0V$ to $18.0V$<br>$T_A = -40^{\circ}C$ to $+125^{\circ}C$<br>$C_{LOADREG} = 10 \mu F$ |                   |      |      |      |                           |   |
| <b>Voltage Regulator - 3.3V</b>  |                   |      |      |      |                           |   |
| Output Voltage   | $V_{OUT}$         | 3.20 | 3.30 | 3.40 | V                         | $0 \text{ mA} < I_{OUT} < 50 \text{ mA}$  |
| Line Regulation  | $\Delta V_{OUT1}$ | —    | 10   | 50   | mV                        | $I_{OUT} = 1 \text{ mA}$ ,<br>$6.0V < V_{BB} < 18V$   |
| Load Regulation  | $\Delta V_{OUT2}$ | —    | 10   | 50   | mV                        | $5 \text{ mA} < I_{OUT} < 50 \text{ mA}$<br>Refer to <b>Section 1.6</b><br>"Internal Voltage Regulator"                   |
| Quiescent Current  | $I_{VRQ}$         | —    | —    | 25   | $\mu A$                   | $I_{OUT} = 0 \text{ mA}$ , ( <b>Note 2</b> )  |
| Power Supply Ripple Reject   | PSRR              | —    | —    | 50   | dB                        | $1 V_{PP}$ @ 10-20 kHz<br>$C_{LOAD} = 10 \mu f$ ,<br>$I_{LOAD} = 50 \text{ mA}$   |
| Output Noise Voltage   | eN                | —    | —    | 100  | $\mu V_{RMS} / \sqrt{Hz}$ | 10 Hz – 40 MHz<br>$C_{FILTER} = 10 \mu f$ , $C_{BP} = 0.1 \mu f$<br>$C_{LOAD} = 10 \mu f$ ,<br>$I_{LOAD} = 50 \text{ mA}$ |
| Shutdown Voltage   | $V_{SD}$          | 2.5  | —    | 2.7  | V                         | See <a href="#">Figure 1-8</a>  |
| Input Voltage to Maintain Regulation   | $V_{BB}$          | 6.0  | —    | 18.0 | V                         |   |
| Input Voltage to Turn Off Output   | $V_{OFF}$         | 4.0  | —    | 4.5  | V                         |   |
| Input Voltage to Turn On Output  | $V_{ON}$          | 5.5  | —    | 6.0  | V                         |   |

- Note 1:** Internal current limited. 2.0 ms maximum recovery time ( $R_{LBUS} = 0\Omega$ ,  $T_X = 0.4 V_{REG}$ ,  $V_{LBUS} = V_{BB}$ ).
- 2:** For design guidance only, not tested.
- 3:** Node has to sustain the current that can flow under this condition; bus must be operational under this condition.



**FIGURE 2-2:** MCP2021-330 Safe Operating Range.



FIGURE 2-3: ESR Curves for Load Capacitor Selection.

## 2.3 AC Specification

| AC CHARACTERISTICS   |           | V <sub>BB</sub> = 6.0V to 18.0V; T <sub>A</sub> = -40°C to +125°C |      |      |       |   |
|--|-----------|---|------|------|-------|---|
| Parameter  | Sym       | Min.  | Typ. | Max. | Units | Test Conditions   |
| <b>Bus Interface - Constant Slope Time Parameters</b>                        |           |   |      |      |       |   |
| Slope rising and falling edges   | tSLOPE    | 3.5   | —    | 22.5 | μs    | 7.3V ≤ V <sub>BB</sub> ≤ 18V  |
| Propagation Delay of Transmitter   | tTRANSPD  | —   | —    | 4.0  | μs    | tTRANSPD = max (tTRANSPDR or tTRANSPDF)   |
| Propagation Delay of Receiver  | tRECPD    | —   | —    | 6.0  | μs    | tRECPD = max (tRECPDR or tRECPDF)   |
| Symmetry of Propagation Delay of Receiver rising edge w.r.t. falling edge    | tRECSYM   | -2.0  | —    | 2.0  | μs    | tRECSYM = max (tRECPDF - tRECPDR)   |
| Symmetry of Propagation Delay of Transmitter rising edge w.r.t. falling edge | tTRANSSYM | -2.0  | —    | 2.0  | μs    | tTRANSSYM = max (tTRANSPDF - tTRANSPDR)   |
| Time to sample of FAULT/ TXE for bus conflict reporting                      | tFAULT    | —   | —    | 32.5 | μs    | tFAULT = max (tTRANSPD + tSLOPE + tRECPD)   |
| Duty Cycle 1 @20.0 kbit/sec  |           | 39.6  | —    | —    | %tBIT | CBUS;RBUS conditions:<br>1 nF; 1 kΩ   6.8 nF; 660Ω   10 nF; 500Ω<br>THREC(MAX) = 0.744 x V <sub>BB</sub> ,<br>THDOM(MAX) = 0.581 x V <sub>BB</sub> ,<br>V <sub>BB</sub> = 7.0V - 18V; tBIT = 50 μs.<br>D1 = tBUS_REC(MIN) / 2 x tBIT) |
| Duty Cycle 2 @20.0 kbit/sec  |           | —   | —    | 58.1 | %tBIT | CBUS;RBUS conditions:<br>1 nF; 1 kΩ   6.8 nF; 660Ω   10 nF; 500Ω<br>THREC(MAX) = 0.284 x V <sub>BB</sub> ,<br>THDOM(MAX) = 0.422 x V <sub>BB</sub> ,<br>V <sub>BB</sub> = 7.6V - 18V; tBIT = 50 μs.<br>D2 = tBUS_REC(MAX) / 2 x tBIT) |
| Duty Cycle 3 @10.4 kbit/sec  |           | 41.7  | —    | —    | %tBIT | CBUS;RBUS conditions:<br>1 nF; 1 kΩ   6.8 nF; 660Ω   10 nF; 500Ω<br>THREC(MAX) = 0.778 x V <sub>BB</sub> ,<br>THDOM(MAX) = 0.616 x V <sub>BB</sub> ,<br>V <sub>BB</sub> = 7.0V - 18V; tBIT = 96 μs.<br>D3 = tBUS_REC(MIN) / 2 x tBIT) |
| Duty Cycle 4 @10.4 kbit/sec  |           | —   | —    | 59.0 | %tBIT | CBUS;RBUS conditions:<br>1 nF; 1 kΩ   6.8 nF; 660Ω   10 nF; 500Ω<br>THREC(MAX) = 0.251 x V <sub>BB</sub> ,<br>THDOM(MAX) = 0.389 x V <sub>BB</sub> ,<br>V <sub>BB</sub> = 7.6V - 18V; tBIT = 96 μs.<br>D4 = tBUS_REC(MAX) / 2 x tBIT) |

# MCP2021/2/1P/2P

## 2.3 AC Specification (Continued)

| AC CHARACTERISTICS                            |           | $V_{BB} = 6.0V$ to $18.0V$ ; $T_A = -40^{\circ}C$ to $+125^{\circ}C$ |      |      |         |                         |
|---|-----------|--|------|------|---------|-------------------------|
| Parameter                                     | Sym       | Min.   | Typ. | Max. | Units   | Test Conditions         |
| <b>Voltage Regulator</b>                      |           |  |      |      |         |                         |
| Bus Activity Debounce Time                    | tBDB      | 5  | 10   | 20   | $\mu s$ | Bus debounce time       |
| Bus Activity to Voltage Regulator Enabled     | tBACTVE   | 100  | 250  | 500  | $\mu s$ | After bus debounce time |
| Voltage Regulator Enabled to Ready            | tVEVR     | —  | —    | 1200 | $\mu s$ | (Note 1)                |
| Chip Select to Operation Ready                | tCSOR     | —  | —    | 500  | $\mu s$ | (Note 1)                |
| Chip Select to Power-Down                     | tCSPD     | —  | —    | 80   | $\mu s$ |                         |
| Short-Circuit to Shut-Down                    | tSHUTDOWN | 20   | —    | 100  | $\mu s$ |                         |
| <b>RESET Timing</b>                           |           |  |      |      |         |                         |
| VREG OK Detect to $\overline{RESET}$ Inactive | tRPU      | —  | —    | 10.0 | $\mu s$ |                         |
| VREG OK Detect to $\overline{RESET}$ Active   | tRPD      | —  | —    | 10.0 | $\mu s$ |                         |

**Note 1:** Time depends on external capacitance and load.

## 2.4 Thermal Specifications

| THERMAL CHARACTERISTICS            |                     |       |     |               |                 |
|------------------------------------|---------------------|-------|-----|---------------|-----------------|
| Parameter                          | Symbol              | Typ   | Max | Units         | Test Conditions |
| Recovery Temperature               | $\theta_{RECOVERY}$ | +140  | —   | $^{\circ}C$   |                 |
| Shutdown Temperature               | $\theta_{SHUTDOWN}$ | +150  | —   | $^{\circ}C$   |                 |
| Short Circuit Recovery Time        | tTHERM              | 1.5   | 5.0 | ms            |                 |
| <b>Thermal Package Resistances</b> |                     |       |     |               |                 |
| Thermal Resistance, 8L-DFN         | $\theta_{JA}$       | 35.7  | —   | $^{\circ}C/W$ |                 |
| Thermal Resistance, 8L-PDIP        | $\theta_{JA}$       | 89.3  | —   | $^{\circ}C/W$ |                 |
| Thermal Resistance, 8L-SOIC        | $\theta_{JA}$       | 149.5 | —   | $^{\circ}C/W$ |                 |
| Thermal Resistance, 14L-PDIP       | $\theta_{JA}$       | 70    | —   | $^{\circ}C/W$ |                 |
| Thermal Resistance, 14L-SOIC       | $\theta_{JA}$       | 95.3  | —   | $^{\circ}C/W$ |                 |
| Thermal Resistance, 14L-TSSOP      | $\theta_{JA}$       | 100   | —   | $^{\circ}C/W$ |                 |

**Note 1:** The maximum power dissipation is a function of  $T_{JMAX}$ ,  $\theta_{JA}$  and ambient temperature  $T_A$ . The maximum allowable power dissipation at an ambient temperature is  $P_D = (T_{JMAX} - T_A) \theta_{JA}$ . If this dissipation is exceeded, the die temperature will rise above  $150^{\circ}C$  and the MCP2021 will go into thermal shutdown.

## 2.5 Timing Diagrams and Specifications



**FIGURE 2-4:** Bus Timing Diagram.



**FIGURE 2-5:** Regulator CS/LWAKE Timing Diagram.

# MCP2021/2/1P/2P



**FIGURE 2-6:** Regulator BUS WAKE Timing Diagram.



**FIGURE 2-7:** RESET Timing Diagram.



**FIGURE 2-8:** CS/LWAKE to RESET Timing Diagram.



**FIGURE 2-9:** Typical  $I_{BBQ}$  vs. Temperature.

# MCP2021/2/1P/2P



FIGURE 2-10: Typical  $I_{BBTO}$  vs Temperature.



FIGURE 2-11: Typical  $I_{BBPD}$  vs. Temperature.



## 3.0 PACKAGING INFORMATION

### 3.1 Package Marking Information

8-Lead DFN (4x4x0.9 mm)



| MCP2021 | MCP2021P |
|---------|----------|
| 2021500 | 2021P50  |

Example



8-Lead DFN-S (6x5x0.9 mm)



| MCP2021 |
|---------|
| 202150  |

Example



8-Lead PDIP (300 mil)



| MCP2021 | MCP2021P |
|---------|----------|
| 2021500 | 2021P500 |

Example



|                |        |  |
|----------------|--------|--|
| <b>Legend:</b> | XX...X | Customer-specific information  |
|                | Y      | Year code (last digit of calendar year)  |
|                | YY     | Year code (last 2 digits of calendar year)   |
|                | WW     | Week code (week of January 1 is week '01')   |
|                | NNN    | Alphanumeric traceability code   |
|                | (e3)   | Pb-free JEDEC designator for Matte Tin (Sn)  |
|                | *      | This package is Pb-free. The Pb-free JEDEC designator (e3) can be found on the outer packaging for this package. |

**Note:** In the event the full Microchip part number cannot be marked on one line, it will be carried over to the next line, thus limiting the number of available characters for customer-specific information.

# MCP2021/2/1P/2P

## 3.1 Package Marking Information (Continued)

8-Lead SOIC (3.90 mm)



|          |          |
|----------|----------|
| MCP2021  | MCP2021P |
| 2021500E | 2021P50E |

Example



14-Lead PDIP (300 mil)



|             |              |
|-------------|--------------|
| MCP2022     | MCP2022P     |
| MCP2022-500 | MCP2022P-500 |

Example



14-Lead SOIC (3.90 mm)



|             |           |
|-------------|-----------|
| MCP2022     | MCP2022P  |
| MCP2022-500 | 2022P-500 |

Example



**Legend:** XX...X Customer-specific information  
 Y Year code (last digit of calendar year)  
 YY Year code (last 2 digits of calendar year)  
 WW Week code (week of January 1 is week '01')  
 NNN Alphanumeric traceability code  
 e3 Pb-free JEDEC designator for Matte Tin (Sn)  
 \* This package is Pb-free. The Pb-free JEDEC designator (e3) can be found on the outer packaging for this package.

**Note:** In the event the full Microchip part number cannot be marked on one line, it will be carried over to the next line, thus limiting the number of available characters for customer-specific information.

## 3.1 Package Marking Information (Continued)

14-Lead TSSOP (4.4 mm)

Example



|          |          |
|----------|----------|
| MCP2022  | MCP2022P |
| 2022500E | 2022P50E |



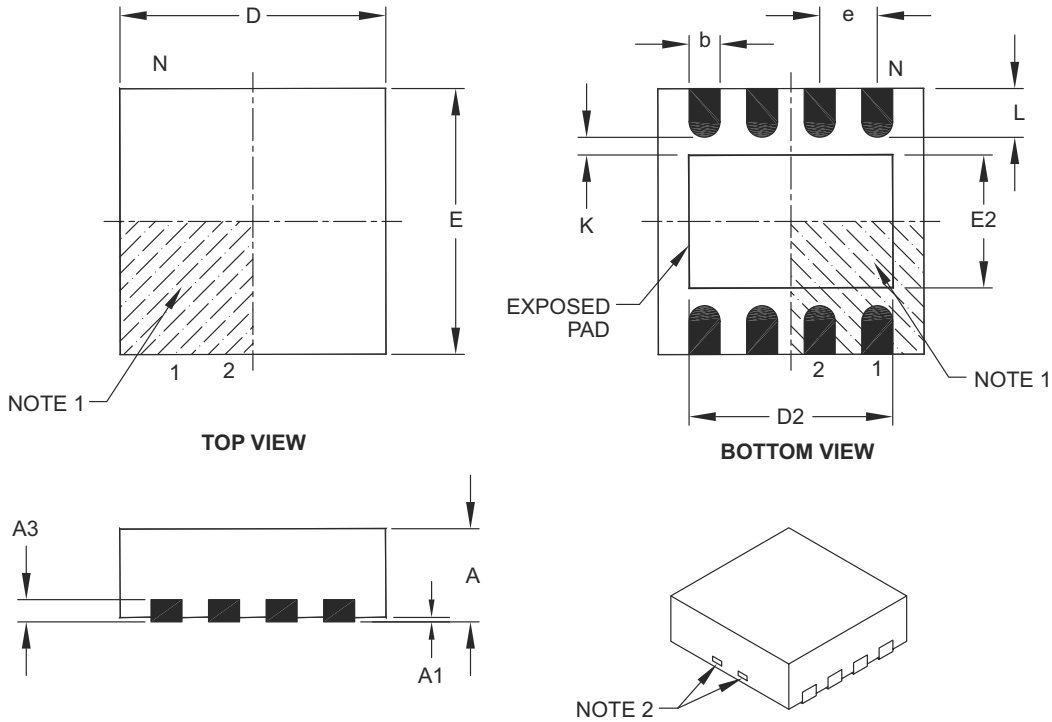
|                |        |  |
|----------------|--------|--|
| <b>Legend:</b> | XX...X | Customer-specific information  |
|                | Y      | Year code (last digit of calendar year)  |
|                | YY     | Year code (last 2 digits of calendar year)   |
|                | WW     | Week code (week of January 1 is week '01')   |
|                | NNN    | Alphanumeric traceability code   |
|                | (e3)   | Pb-free JEDEC designator for Matte Tin (Sn)  |
|                | *      | This package is Pb-free. The Pb-free JEDEC designator (e3) can be found on the outer packaging for this package. |

**Note:** In the event the full Microchip part number cannot be marked on one line, it will be carried over to the next line, thus limiting the number of available characters for customer-specific information.

# MCP2021/2/1P/2P

## 8-Lead Plastic Dual Flat, No Lead Package (MD) – 4x4x0.9 mm Body [DFN]

**Note:** For the most current package drawings, please see the Microchip Packaging Specification located at <http://www.microchip.com/packaging>



| Dimension Limits       | Units | MILLIMETERS |      |      |
|------------------------|-------|-------------|------|------|
|                        |       | MIN         | NOM  | MAX  |
| Number of Pins         | N     | 8           |      |      |
| Pitch                  | e     | 0.80 BSC    |      |      |
| Overall Height         | A     | 0.80        | 0.90 | 1.00 |
| Standoff               | A1    | 0.00        | 0.02 | 0.05 |
| Contact Thickness      | A3    | 0.20 REF    |      |      |
| Overall Length         | D     | 4.00 BSC    |      |      |
| Exposed Pad Width      | E2    | 0.00        | 2.20 | 2.80 |
| Overall Width          | E     | 4.00 BSC    |      |      |
| Exposed Pad Length     | D2    | 0.00        | 3.00 | 3.60 |
| Contact Width          | b     | 0.25        | 0.30 | 0.35 |
| Contact Length         | L     | 0.30        | 0.55 | 0.65 |
| Contact-to-Exposed Pad | K     | 0.20        | –    | –    |

**Notes:**

1. Pin 1 visual index feature may vary, but must be located within the hatched area.
2. Package may have one or more exposed tie bars at ends.
3. Package is saw singulated.
4. Dimensioning and tolerancing per ASME Y14.5M.
  - BSC: Basic Dimension. Theoretically exact value shown without tolerances.
  - REF: Reference Dimension, usually without tolerance, for information purposes only.

Microchip Technology Drawing C04-131C

## 8-Lead Plastic Dual Flat, No Lead Package (MD) – 4x4x0.9 mm Body [DFN]

**Note:** For the most current package drawings, please see the Microchip Packaging Specification located at <http://www.microchip.com/packaging>



RECOMMENDED LAND PATTERN

| Dimension Limits           | Units | MILLIMETERS |      |      |
|----------------------------|-------|-------------|------|------|
|                            |       | MIN         | NOM  | MAX  |
| Contact Pitch              | E     | 0.80 BSC    |      |      |
| Optional Center Pad Width  | W2    |             |      | 3.60 |
| Optional Center Pad Length | T2    |             |      | 2.50 |
| Contact Pad Spacing        | C1    |             | 4.00 |      |
| Contact Pad Width (X8)     | X1    |             |      | 0.35 |
| Contact Pad Length (X8)    | Y1    |             |      | 0.75 |
| Distance Between Pads      | G     | 0.45        |      |      |

Notes:

1. Dimensioning and tolerancing per ASME Y14.5M

BSC: Basic Dimension. Theoretically exact value shown without tolerances.

Microchip Technology Drawing No. C04-2131B

# MCP2021/2/1P/2P

## 8-Lead Plastic Dual Flat, No Lead Package (MF) – 6x5 mm Body [DFN-S]

**Note:** For the most current package drawings, please see the Microchip Packaging Specification located at <http://www.microchip.com/packaging>



| Dimension Limits       | Units | MILLIMETERS |      |      |
|------------------------|-------|-------------|------|------|
|                        |       | MIN         | NOM  | MAX  |
| Number of Pins         | N     | 8           |      |      |
| Pitch                  | e     | 1.27 BSC    |      |      |
| Overall Height         | A     | 0.80        | 0.85 | 1.00 |
| Standoff               | A1    | 0.00        | 0.01 | 0.05 |
| Contact Thickness      | A3    | 0.20 REF    |      |      |
| Overall Length         | D     | 5.00 BSC    |      |      |
| Overall Width          | E     | 6.00 BSC    |      |      |
| Exposed Pad Length     | D2    | 3.90        | 4.00 | 4.10 |
| Exposed Pad Width      | E2    | 2.20        | 2.30 | 2.40 |
| Contact Width          | b     | 0.35        | 0.40 | 0.48 |
| Contact Length         | L     | 0.50        | 0.60 | 0.75 |
| Contact-to-Exposed Pad | K     | 0.20        | -    | -    |

**Notes:**

- Pin 1 visual index feature may vary, but must be located within the hatched area.
- Package may have one or more exposed tie bars at ends.
- Package is saw singulated.
- Dimensioning and tolerancing per ASME Y14.5M.

BSC: Basic Dimension. Theoretically exact value shown without tolerances.

REF: Reference Dimension, usually without tolerance, for information purposes only.

Microchip Technology Drawing C04-122B

## 8-Lead Plastic Dual Flat, No Lead Package (MF) - 6x5 mm Body [DFN-S]

**Note:** For the most current package drawings, please see the Microchip Packaging Specification located at <http://www.microchip.com/packaging>



RECOMMENDED LAND PATTERN



| Dimension Limits           | Units | MILLIMETERS |      |      |
|----------------------------|-------|-------------|------|------|
|                            |       | MIN         | NOM  | MAX  |
| Contact Pitch              | E     | 1.27 BSC    |      |      |
| Optional Center Pad Width  | W2    |             |      | 2.40 |
| Optional Center Pad Length | T2    |             |      | 4.10 |
| Contact Pad Spacing        | C     |             | 5.60 |      |
| Contact Pad Width (X8)     | X1    |             |      | 0.45 |
| Contact Pad Length (X8)    | Y1    |             |      | 1.10 |

**Notes:**

1. Dimensioning and tolerancing per ASME Y14.5M

BSC: Basic Dimension. Theoretically exact value shown without tolerances.

Microchip Technology Drawing No. C04-2122A

# MCP2021/2/1P/2P

## 8-Lead Plastic Dual In-Line (P) – 300 mil Body [PDIP]

**Note:** For the most current package drawings, please see the Microchip Packaging Specification located at <http://www.microchip.com/packaging>



|                            |    | Units | INCHES   |      |      |
|----------------------------|----|-------|----------|------|------|
| Dimension Limits           |    |       | MIN      | NOM  | MAX  |
| Number of Pins             | N  |       | 8        |      |      |
| Pitch                      | e  |       | .100 BSC |      |      |
| Top to Seating Plane       | A  | –     | –        | –    | .210 |
| Molded Package Thickness   | A2 | .115  | .130     | .195 |      |
| Base to Seating Plane      | A1 | .015  | –        | –    |      |
| Shoulder to Shoulder Width | E  | .290  | .310     | .325 |      |
| Molded Package Width       | E1 | .240  | .250     | .280 |      |
| Overall Length             | D  | .348  | .365     | .400 |      |
| Tip to Seating Plane       | L  | .115  | .130     | .150 |      |
| Lead Thickness             | c  | .008  | .010     | .015 |      |
| Upper Lead Width           | b1 | .040  | .060     | .070 |      |
| Lower Lead Width           | b  | .014  | .018     | .022 |      |
| Overall Row Spacing §      | eB | –     | –        | –    | .430 |

**Notes:**

- Pin 1 visual index feature may vary, but must be located with the hatched area.
- § Significant Characteristic.
- Dimensions D and E1 do not include mold flash or protrusions. Mold flash or protrusions shall not exceed .010" per side.
- Dimensioning and tolerancing per ASME Y14.5M.

BSC: Basic Dimension. Theoretically exact value shown without tolerances.

Microchip Technology Drawing C04-018B



## 8-Lead Plastic Small Outline (SN) – Narrow, 3.90 mm Body [SOIC]

**Note:** For the most current package drawings, please see the Microchip Packaging Specification located at <http://www.microchip.com/packaging>



| Dimension Limits         | Units    | MILLIMETERS |     |      |
|--------------------------|----------|-------------|-----|------|
|                          |          | MIN         | NOM | MAX  |
| Number of Pins           | N        | 8           |     |      |
| Pitch                    | e        | 1.27 BSC    |     |      |
| Overall Height           | A        | –           | –   | 1.75 |
| Molded Package Thickness | A2       | 1.25        | –   | –    |
| Standoff §               | A1       | 0.10        | –   | 0.25 |
| Overall Width            | E        | 6.00 BSC    |     |      |
| Molded Package Width     | E1       | 3.90 BSC    |     |      |
| Overall Length           | D        | 4.90 BSC    |     |      |
| Chamfer (optional)       | h        | 0.25        | –   | 0.50 |
| Foot Length              | L        | 0.40        | –   | 1.27 |
| Footprint                | L1       | 1.04 REF    |     |      |
| Foot Angle               | $\phi$   | 0°          | –   | 8°   |
| Lead Thickness           | c        | 0.17        | –   | 0.25 |
| Lead Width               | b        | 0.31        | –   | 0.51 |
| Mold Draft Angle Top     | $\alpha$ | 5°          | –   | 15°  |
| Mold Draft Angle Bottom  | $\beta$  | 5°          | –   | 15°  |

**Notes:**

- Pin 1 visual index feature may vary, but must be located within the hatched area.
- § Significant Characteristic.
- Dimensions D and E1 do not include mold flash or protrusions. Mold flash or protrusions shall not exceed 0.15 mm per side.
- Dimensioning and tolerancing per ASME Y14.5M.

BSC: Basic Dimension. Theoretically exact value shown without tolerances.

REF: Reference Dimension, usually without tolerance, for information purposes only.

Microchip Technology Drawing C04-057B

# MCP2021/2/1P/2P

## 8-Lead Plastic Small Outline (SN) – Narrow, 3.90 mm Body [SOIC]

**Note:** For the most current package drawings, please see the Microchip Packaging Specification located at <http://www.microchip.com/packaging>



RECOMMENDED LAND PATTERN

| Dimension Limits        | Units | MILLIMETERS |      |      |
|-------------------------|-------|-------------|------|------|
|                         |       | MIN         | NOM  | MAX  |
| Contact Pitch           | E     | 1.27 BSC    |      |      |
| Contact Pad Spacing     | C     |             | 5.40 |      |
| Contact Pad Width (X8)  | X1    |             |      | 0.60 |
| Contact Pad Length (X8) | Y1    |             |      | 1.55 |

Notes:

1. Dimensioning and tolerancing per ASME Y14.5M

BSC: Basic Dimension. Theoretically exact value shown without tolerances.

Microchip Technology Drawing No. C04-2057A

## 14-Lead Plastic Dual In-Line (P) – 300 mil Body [PDIP]

**Note:** For the most current package drawings, please see the Microchip Packaging Specification located at <http://www.microchip.com/packaging>



| Dimension Limits           | Units | INCHES   |      |      |
|----------------------------|-------|----------|------|------|
|                            |       | MIN      | NOM  | MAX  |
| Number of Pins             | N     | 14       |      |      |
| Pitch                      | e     | .100 BSC |      |      |
| Top to Seating Plane       | A     | –        | –    | .210 |
| Molded Package Thickness   | A2    | .115     | .130 | .195 |
| Base to Seating Plane      | A1    | .015     | –    | –    |
| Shoulder to Shoulder Width | E     | .290     | .310 | .325 |
| Molded Package Width       | E1    | .240     | .250 | .280 |
| Overall Length             | D     | .735     | .750 | .775 |
| Tip to Seating Plane       | L     | .115     | .130 | .150 |
| Lead Thickness             | c     | .008     | .010 | .015 |
| Upper Lead Width           | b1    | .045     | .060 | .070 |
| Lower Lead Width           | b     | .014     | .018 | .022 |
| Overall Row Spacing §      | eB    | –        | –    | .430 |

**Notes:**

- Pin 1 visual index feature may vary, but must be located with the hatched area.
- § Significant Characteristic.
- Dimensions D and E1 do not include mold flash or protrusions. Mold flash or protrusions shall not exceed .010" per side.
- Dimensioning and tolerancing per ASME Y14.5M.

BSC: Basic Dimension. Theoretically exact value shown without tolerances.

Microchip Technology Drawing C04-005B

# MCP2021/2/1P/2P

## 14-Lead Plastic Small Outline (SL) – Narrow, 3.90 mm Body [SOIC]

**Note:** For the most current package drawings, please see the Microchip Packaging Specification located at <http://www.microchip.com/packaging>



| Dimension Limits         | Units    | MILLIMETERS |     |      |
|--------------------------|----------|-------------|-----|------|
|                          |          | MIN         | NOM | MAX  |
| Number of Pins           | N        | 14          |     |      |
| Pitch                    | e        | 1.27 BSC    |     |      |
| Overall Height           | A        | –           | –   | 1.75 |
| Molded Package Thickness | A2       | 1.25        | –   | –    |
| Standoff §               | A1       | 0.10        | –   | 0.25 |
| Overall Width            | E        | 6.00 BSC    |     |      |
| Molded Package Width     | E1       | 3.90 BSC    |     |      |
| Overall Length           | D        | 8.65 BSC    |     |      |
| Chamfer (optional)       | h        | 0.25        | –   | 0.50 |
| Foot Length              | L        | 0.40        | –   | 1.27 |
| Footprint                | L1       | 1.04 REF    |     |      |
| Foot Angle               | $\phi$   | 0°          | –   | 8°   |
| Lead Thickness           | c        | 0.17        | –   | 0.25 |
| Lead Width               | b        | 0.31        | –   | 0.51 |
| Mold Draft Angle Top     | $\alpha$ | 5°          | –   | 15°  |
| Mold Draft Angle Bottom  | $\beta$  | 5°          | –   | 15°  |

**Notes:**

- Pin 1 visual index feature may vary, but must be located within the hatched area.
- § Significant Characteristic.
- Dimensions D and E1 do not include mold flash or protrusions. Mold flash or protrusions shall not exceed 0.15 mm per side.
- Dimensioning and tolerancing per ASME Y14.5M.

BSC: Basic Dimension. Theoretically exact value shown without tolerances.

REF: Reference Dimension, usually without tolerance, for information purposes only.

Microchip Technology Drawing C04-065B

14-Lead Plastic Small Outline (SL) - Narrow, 3.90 mm Body [SOIC]

**Note:** For the most current package drawings, please see the Microchip Packaging Specification located at <http://www.microchip.com/packaging>



RECOMMENDED LAND PATTERN

| Dimension Limits      | Units | MILLIMETERS |      |      |
|-----------------------|-------|-------------|------|------|
|                       |       | MIN         | NOM  | MAX  |
| Contact Pitch         | E     | 1.27 BSC    |      |      |
| Contact Pad Spacing   | C     |             | 5.40 |      |
| Contact Pad Width     | X     |             |      | 0.60 |
| Contact Pad Length    | Y     |             |      | 1.50 |
| Distance Between Pads | Gx    | 0.67        |      |      |
| Distance Between Pads | G     | 3.90        |      |      |

Notes:

1. Dimensioning and tolerancing per ASME Y14.5M

BSC: Basic Dimension. Theoretically exact value shown without tolerances.

Microchip Technology Drawing No. C04-2065A

# MCP2021/2/1P/2P

## 14-Lead Plastic Thin Shrink Small Outline (ST) – 4.4 mm Body [TSSOP]

**Note:** For the most current package drawings, please see the Microchip Packaging Specification located at <http://www.microchip.com/packaging>



| Dimension Limits         | Units  | MILLIMETERS |      |      |
|--------------------------|--------|-------------|------|------|
|                          |        | MIN         | NOM  | MAX  |
| Number of Pins           | N      | 14          |      |      |
| Pitch                    | e      | 0.65 BSC    |      |      |
| Overall Height           | A      | –           | –    | 1.20 |
| Molded Package Thickness | A2     | 0.80        | 1.00 | 1.05 |
| Standoff                 | A1     | 0.05        | –    | 0.15 |
| Overall Width            | E      | 6.40 BSC    |      |      |
| Molded Package Width     | E1     | 4.30        | 4.40 | 4.50 |
| Molded Package Length    | D      | 4.90        | 5.00 | 5.10 |
| Foot Length              | L      | 0.45        | 0.60 | 0.75 |
| Footprint                | L1     | 1.00 REF    |      |      |
| Foot Angle               | $\phi$ | 0°          | –    | 8°   |
| Lead Thickness           | c      | 0.09        | –    | 0.20 |
| Lead Width               | b      | 0.19        | –    | 0.30 |

**Notes:**

- Pin 1 visual index feature may vary, but must be located within the hatched area.
- Dimensions D and E1 do not include mold flash or protrusions. Mold flash or protrusions shall not exceed 0.15 mm per side.
- Dimensioning and tolerancing per ASME Y14.5M.

BSC: Basic Dimension. Theoretically exact value shown without tolerances.

REF: Reference Dimension, usually without tolerance, for information purposes only.

Microchip Technology Drawing C04-087B

## APPENDIX A: REVISION HISTORY

### Revision F (January 2012)

The following modifications were made to this data sheet:

Added the MCP2021P and MCP2022P options and related information throughout the document.

### Revision E (February 2009)

The following is the list of modifications.

1. Added Example 1-7 and Example 1-8.
2. Updated [Section 1.4.9 “RESET”](#).
3. Updated [Section 1.7 “ICSP™ Considerations”](#).
4. Updated [Section 2.1 “Absolute Maximum Ratings†”](#).
5. Updated [Section 2.2 “DC Specifications”](#) and [Section 2.3 “AC Specification”](#).
6. Added [FIGURE 2-3: “ESR Curves for Load Capacitor Selection.”](#)
7. Updated the Product Identification System section.

### Revision D (July 2008)

The following is the list of modifications.

1. Updated ESD specs under ‘Absolute DC’.
2. Updated notes in Example 1-1.
3. Updated Package Outline Drawings.

### Revision C (April 2008)

The following is the list of modifications.

1. Added LIN2.1 and J2602 compliance statement to Features section.
2. Added recommended RC network for CS/LWAKE in Example 1-1.
3. Updated 2.1 Absolute Maximum Ratings to reflect current test results.
4. Updated 2.2 DC Specifications and 2.3 AC Specifications to reflect current production device.
5. Added 8-Lead SOIC Landing Pattern Outline drawing.

### Revision B (August 2007)

The following is the list of modifications:

1. Modified Block Diagram on page 2.
2. [Section 1.3.5 “Transmitter-OFF Mode”](#): Deleted text in 1st paragraph.
3. [Example 1-6](#): Removed +5V notation.
4. [Section 1.4 “Pin Descriptions”](#): Removed 10-pin DFN, MSOP column from table.
5. [Section 1.4.8 “Fault/TXE”](#): Deleted text from 2nd paragraph.
6. [Section 3.0 “Packaging Information”](#): Added 8-lead 4x4 and 6x5 DFN and 14-lead TSSOP packages. Updated package outline drawings and added drawings for 8-lead DFN and 14-lead TSSOP drawings.

### Revision A (November 2005)

Original Release of this Document.

# MCP2021/2/1P/2P

---

NOTES:



## PRODUCT IDENTIFICATION SYSTEM

To order or obtain information, e.g., on pricing or delivery, refer to the factory or the listed sales office.

| <u>PART NO.</u>    | <u>-X</u>         | <u>/XX</u>   | <b>Examples:</b>  |
|--------------------|-------------------|--|---|
| Device             | Temperature Range | Package  |   |
| Device:            | MCP2021:          | LIN Transceiver with Voltage Regulator; wakes up on dominant level of LIN bus.   | a) MCP2021-330E/SN: 3.3V, 8L-SOIC pkg.                      |
|                    | MCP2021T:         | LIN Transceiver with Voltage Regulator; wakes up on dominant level of LIN bus.<br>(Tape and Reel) (SOIC only)                      | b) MCP2021-330E/P: 3.3V, 8L-PDIP pkg.                       |
|                    | MCP2022:          | LIN Transceiver with Voltage Regulator, and RESET pin; wakes up on dominant level of LIN bus.                                      | c) MCP2021-500E/MF: 5.0V, 8L-DFN-S pkg.                     |
|                    | MCP2022T:         | LIN Transceiver with Voltage Regulator, and RESET pin; wakes up on dominant level of LIN bus.<br>(Tape and Reel) (SOIC only)       | d) MCP2021-500E/SN: 5.0V, 8L-SOIC pkg.                      |
|                    | MCP2021P:         | LIN Transceiver with Voltage Regulator; wakes up at a falling edge of LIN bus level.   | e) MCP2021-500E/MD: 5.0V, 8L-DFN pkg.                       |
|                    | MCP2021PT:        | LIN Transceiver with Voltage Regulator; wakes up at a falling edge of LIN bus level<br>(Tape and Reel) (SOIC only)                 | f) MCP2021-330E/P: 5.0V, 8L-PDIP pkg.                       |
|                    | MCP2022P:         | LIN Transceiver with Voltage Regulator, and RESET pin; wakes up at a falling edge of LIN bus level.                                | g) MCP2021T-330E/SN: Tape and Reel,<br>3.3V, 8L-SOIC pkg.   |
|                    | MCP2022PT:        | LIN Transceiver with Voltage Regulator, and RESET pin; wakes up at a falling edge of LIN bus level.<br>(Tape and Reel) (SOIC only) | h) MCP2021T-500E/MD: Tape and Reel,<br>5.0V, 8L-DFN pkg.    |
| Temperature Range: | E                 | = -40°C to +125°C  | i) MCP2021T-500E/SN: Tape and Reel,<br>5.0V, 8L-SOIC pkg.   |
| Package:           | MD                | = Plastic Micro Small Outline (4x4), 8-lead  | a) MCP2022-330E/SL: 3.3V, 14L-SOIC pkg.                     |
|                    | MF                | = Plastic Micro Small Outline (6x5), 8-lead  | b) MCP2022-330E/P: 3.3V, 14L-PDIP pkg.                      |
|                    | P                 | = Plastic DIP (300 mil Body), 8-lead, 14-lead  | c) MCP2022-500E/SL: 5.0V, 14L-SOIC pkg.                     |
|                    | SN                | = Plastic SOIC, (150 mil Body), 8-lead   | d) MCP2022-500E/P: 5.0V, 14L-PDIP pkg.                      |
|                    | SL                | = Plastic SOIC, (150 mil Body), 14-lead  | e) MCP2022T-330E/SL: Tape and Reel,<br>3.3V, 14L-SOIC pkg.  |
|                    | ST                | = Plastic Thin Shrink Small Outline, 14-lead   | f) MCP2022T-500E/SL: Tape and Reel,<br>5.0V, 14L-SOIC pkg.  |
|                    |                   |  | g) MCP2022T-500E/ST: Tape and Reel,<br>5.0V, 14L-TSSOP pkg. |

# MCP2021/2/1P/2P

---

NOTES:

---

**Note the following details of the code protection feature on Microchip devices:**

- Microchip products meet the specification contained in their particular Microchip Data Sheet.
- Microchip believes that its family of products is one of the most secure families of its kind on the market today, when used in the intended manner and under normal conditions.
- There are dishonest and possibly illegal methods used to breach the code protection feature. All of these methods, to our knowledge, require using the Microchip products in a manner outside the operating specifications contained in Microchip's Data Sheets. Most likely, the person doing so is engaged in theft of intellectual property.
- Microchip is willing to work with the customer who is concerned about the integrity of their code.
- Neither Microchip nor any other semiconductor manufacturer can guarantee the security of their code. Code protection does not mean that we are guaranteeing the product as “unbreakable.”

Code protection is constantly evolving. We at Microchip are committed to continuously improving the code protection features of our products. Attempts to break Microchip's code protection feature may be a violation of the Digital Millennium Copyright Act. If such acts allow unauthorized access to your software or other copyrighted work, you may have a right to sue for relief under that Act.

---

Information contained in this publication regarding device applications and the like is provided only for your convenience and may be superseded by updates. It is your responsibility to ensure that your application meets with your specifications. MICROCHIP MAKES NO REPRESENTATIONS OR WARRANTIES OF ANY KIND WHETHER EXPRESS OR IMPLIED, WRITTEN OR ORAL, STATUTORY OR OTHERWISE, RELATED TO THE INFORMATION, INCLUDING BUT NOT LIMITED TO ITS CONDITION, QUALITY, PERFORMANCE, MERCHANTABILITY OR FITNESS FOR PURPOSE. Microchip disclaims all liability arising from this information and its use. Use of Microchip devices in life support and/or safety applications is entirely at the buyer's risk, and the buyer agrees to defend, indemnify and hold harmless Microchip from any and all damages, claims, suits, or expenses resulting from such use. No licenses are conveyed, implicitly or otherwise, under any Microchip intellectual property rights.

**Trademarks**

The Microchip name and logo, the Microchip logo, dsPIC, KEELOQ, KEELOQ logo, MPLAB, PIC, PICmicro, PICSTART, PIC<sup>32</sup> logo, rfPIC and UNI/O are registered trademarks of Microchip Technology Incorporated in the U.S.A. and other countries.

FilterLab, Hampshire, HI-TECH C, Linear Active Thermistor, MXDEV, MXLAB, SEEVAL and The Embedded Control Solutions Company are registered trademarks of Microchip Technology Incorporated in the U.S.A.

Analog-for-the-Digital Age, Application Maestro, chipKIT, chipKIT logo, CodeGuard, dsPICDEM, dsPICDEM.net, dsPICworks, dsSPEAK, ECAN, ECONOMONITOR, FanSense, HI-TIDE, In-Circuit Serial Programming, ICSP, Mindi, MiWi, MPASM, MPLAB Certified logo, MPLIB, MPLINK, mTouch, Omniscient Code Generation, PICC, PICC-18, PICDEM, PICDEM.net, PICKit, PICtail, REAL ICE, rfLAB, Select Mode, Total Endurance, TSHARC, UniWinDriver, WiperLock and ZENA are trademarks of Microchip Technology Incorporated in the U.S.A. and other countries.

SQTP is a service mark of Microchip Technology Incorporated in the U.S.A.

All other trademarks mentioned herein are property of their respective companies.

© 2005-2012, Microchip Technology Incorporated, Printed in the U.S.A., All Rights Reserved.

 Printed on recycled paper.

ISBN: 978-1-61341-884-0

*Microchip received ISO/TS-16949:2009 certification for its worldwide headquarters, design and wafer fabrication facilities in Chandler and Tempe, Arizona; Gresham, Oregon and design centers in California and India. The Company's quality system processes and procedures are for its PIC<sup>®</sup> MCUs and dsPIC<sup>®</sup> DSCs, KEELOQ<sup>®</sup> code hopping devices, Serial EEPROMs, microperipherals, nonvolatile memory and analog products. In addition, Microchip's quality system for the design and manufacture of development systems is ISO 9001:2000 certified.*

**QUALITY MANAGEMENT SYSTEM**  
**CERTIFIED BY DNV**  
**== ISO/TS 16949:2009 ==**



# MICROCHIP

## Worldwide Sales and Service

### AMERICAS

**Corporate Office**  
2355 West Chandler Blvd.  
Chandler, AZ 85224-6199  
Tel: 480-792-7200  
Fax: 480-792-7277  
Technical Support:  
<http://www.microchip.com/support>  
Web Address:  
[www.microchip.com](http://www.microchip.com)

**Atlanta**  
Duluth, GA  
Tel: 678-957-9614  
Fax: 678-957-1455

**Boston**  
Westborough, MA  
Tel: 774-760-0087  
Fax: 774-760-0088

**Chicago**  
Itasca, IL  
Tel: 630-285-0071  
Fax: 630-285-0075

**Cleveland**  
Independence, OH  
Tel: 216-447-0464  
Fax: 216-447-0643

**Dallas**  
Addison, TX  
Tel: 972-818-7423  
Fax: 972-818-2924

**Detroit**  
Farmington Hills, MI  
Tel: 248-538-2250  
Fax: 248-538-2260

**Indianapolis**  
Noblesville, IN  
Tel: 317-773-8323  
Fax: 317-773-5453

**Los Angeles**  
Mission Viejo, CA  
Tel: 949-462-9523  
Fax: 949-462-9608

**Santa Clara**  
Santa Clara, CA  
Tel: 408-961-6444  
Fax: 408-961-6445

**Toronto**  
Mississauga, Ontario,  
Canada  
Tel: 905-673-0699  
Fax: 905-673-6509

### ASIA/PACIFIC

**Asia Pacific Office**  
Suites 3707-14, 37th Floor  
Tower 6, The Gateway  
Harbour City, Kowloon  
Hong Kong  
Tel: 852-2401-1200  
Fax: 852-2401-3431

**Australia - Sydney**  
Tel: 61-2-9868-6733  
Fax: 61-2-9868-6755

**China - Beijing**  
Tel: 86-10-8569-7000  
Fax: 86-10-8528-2104

**China - Chengdu**  
Tel: 86-28-8665-5511  
Fax: 86-28-8665-7889

**China - Chongqing**  
Tel: 86-23-8980-9588  
Fax: 86-23-8980-9500

**China - Hangzhou**  
Tel: 86-571-2819-3187  
Fax: 86-571-2819-3189

**China - Hong Kong SAR**  
Tel: 852-2401-1200  
Fax: 852-2401-3431

**China - Nanjing**  
Tel: 86-25-8473-2460  
Fax: 86-25-8473-2470

**China - Qingdao**  
Tel: 86-532-8502-7355  
Fax: 86-532-8502-7205

**China - Shanghai**  
Tel: 86-21-5407-5533  
Fax: 86-21-5407-5066

**China - Shenyang**  
Tel: 86-24-2334-2829  
Fax: 86-24-2334-2393

**China - Shenzhen**  
Tel: 86-755-8203-2660  
Fax: 86-755-8203-1760

**China - Wuhan**  
Tel: 86-27-5980-5300  
Fax: 86-27-5980-5118

**China - Xian**  
Tel: 86-29-8833-7252  
Fax: 86-29-8833-7256

**China - Xiamen**  
Tel: 86-592-2388138  
Fax: 86-592-2388130

**China - Zhuhai**  
Tel: 86-756-3210040  
Fax: 86-756-3210049

### ASIA/PACIFIC

**India - Bangalore**  
Tel: 91-80-3090-4444  
Fax: 91-80-3090-4123

**India - New Delhi**  
Tel: 91-11-4160-8631  
Fax: 91-11-4160-8632

**India - Pune**  
Tel: 91-20-2566-1512  
Fax: 91-20-2566-1513

**Japan - Osaka**  
Tel: 81-66-152-7160  
Fax: 81-66-152-9310

**Japan - Yokohama**  
Tel: 81-45-471-6166  
Fax: 81-45-471-6122

**Korea - Daegu**  
Tel: 82-53-744-4301  
Fax: 82-53-744-4302

**Korea - Seoul**  
Tel: 82-2-554-7200  
Fax: 82-2-558-5932 or  
82-2-558-5934

**Malaysia - Kuala Lumpur**  
Tel: 60-3-6201-9857  
Fax: 60-3-6201-9859

**Malaysia - Penang**  
Tel: 60-4-227-8870  
Fax: 60-4-227-4068

**Philippines - Manila**  
Tel: 63-2-634-9065  
Fax: 63-2-634-9069

**Singapore**  
Tel: 65-6334-8870  
Fax: 65-6334-8850

**Taiwan - Hsin Chu**  
Tel: 886-3-5778-366  
Fax: 886-3-5770-955

**Taiwan - Kaohsiung**  
Tel: 886-7-536-4818  
Fax: 886-7-330-9305

**Taiwan - Taipei**  
Tel: 886-2-2500-6610  
Fax: 886-2-2508-0102

**Thailand - Bangkok**  
Tel: 66-2-694-1351  
Fax: 66-2-694-1350

### EUROPE

**Austria - Wels**  
Tel: 43-7242-2244-39  
Fax: 43-7242-2244-393

**Denmark - Copenhagen**  
Tel: 45-4450-2828  
Fax: 45-4485-2829

**France - Paris**  
Tel: 33-1-69-53-63-20  
Fax: 33-1-69-30-90-79

**Germany - Munich**  
Tel: 49-89-627-144-0  
Fax: 49-89-627-144-44

**Italy - Milan**  
Tel: 39-0331-742611  
Fax: 39-0331-466781

**Netherlands - Drunen**  
Tel: 31-416-690399  
Fax: 31-416-690340

**Spain - Madrid**  
Tel: 34-91-708-08-90  
Fax: 34-91-708-08-91

**UK - Wokingham**  
Tel: 44-118-921-5869  
Fax: 44-118-921-5820

11/29/11

## Данный компонент на территории Российской Федерации

### Вы можете приобрести в компании MosChip.

Для оперативного оформления запроса Вам необходимо перейти по данной ссылке:

<http://moschip.ru/get-element>

Вы можете разместить у нас заказ для любого Вашего проекта, будь то серийное производство или разработка единичного прибора.

В нашем ассортименте представлены ведущие мировые производители активных и пассивных электронных компонентов.

Нашей специализацией является поставка электронной компонентной базы двойного назначения, продукции таких производителей как XILINX, Intel (ex.ALTERA), Vicor, Microchip, Texas Instruments, Analog Devices, Mini-Circuits, Amphenol, Glenair.

Сотрудничество с глобальными дистрибьюторами электронных компонентов, предоставляет возможность заказывать и получать с международных складов практически любой перечень компонентов в оптимальные для Вас сроки.

На всех этапах разработки и производства наши партнеры могут получить квалифицированную поддержку опытных инженеров.

Система менеджмента качества компании отвечает требованиям в соответствии с ГОСТ Р ИСО 9001, ГОСТ РВ 0015-002 и ЭС РД 009

### Офис по работе с юридическими лицами:

105318, г.Москва, ул.Щербаковская д.3, офис 1107, 1118, ДЦ «Щербаковский»

Телефон: +7 495 668-12-70 (многоканальный)

Факс: +7 495 668-12-70 (доб.304)

E-mail: [info@moschip.ru](mailto:info@moschip.ru)

Skype отдела продаж:

moschip.ru

moschip.ru\_4

moschip.ru\_6

moschip.ru\_9