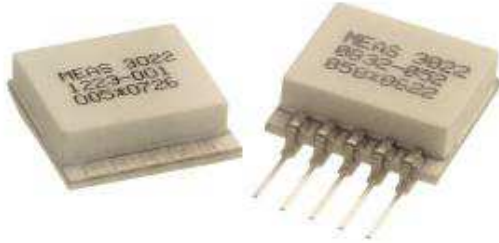
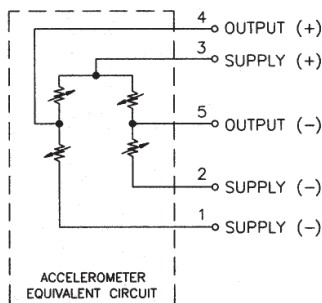
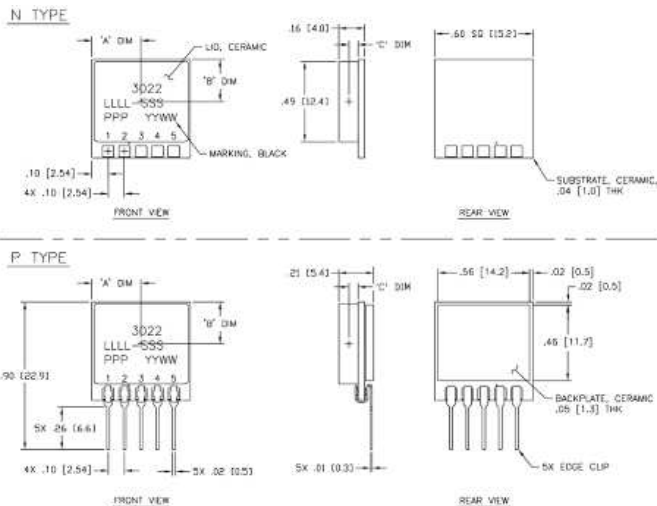


MODEL 3022 ACCELEROMETER



DIMENSIONS



SPECIFICATIONS

- ◆ Piezoresistive MEMS
- ◆ DC Response
- ◆ Circuit Board Mountable
- ◆ Low Cost

The Model 3022 is a silicon MEMS accelerometer in a Wheatstone bridge configuration. The accelerometer is packaged on a ceramic substrate with an epoxy sealed ceramic cover and is designed for adhesive mounting. The accelerometer is offered in ranges from $\pm 2g$ to $\pm 200g$ range and provides a flat frequency response to minimum 2000Hz. The silicon MEMS sensor is gas damped and incorporates over-range stops for high-g shock protection.

For a similar accelerometer designed for bolt mounting, see the model 3028..

FEATURES

- ◆ Adhesive Mounted
- ◆ $\pm 0.5\%$ Non-linearity
- ◆ Open Wheatstone Bridge
- ◆ DC Response
- ◆ Gas Damping
- ◆ Built-in Overrange Stops
- ◆ Low Power Consumption

APPLICATIONS

- ◆ Vibration & Shock Monitoring
- ◆ Motion Control
- ◆ Impact & Shock Testing
- ◆ Modal Analysis
- ◆ Embedded Applications
- ◆ Machinery

MODEL 3022 ACCELEROMETER

PERFORMANCE SPECIFICATIONS

All values are typical at +24°C, 80Hz and 5Vdc excitation unless otherwise stated. Measurement Specialties reserves the right to update and change these specifications without notice.

Parameters

DYNAMIC

| | ±2 | ±5 | ±10 | ±20 | ±50 | ±100 | ±200 | Notes |
|---------------------------------|----------|----------|---------|---------|---------|---------|----------|------------|
| Range (g) | | | | | | | | |
| Sensitivity (mV/g) ¹ | 8.0-20.0 | 6.0-15.0 | 3.0-6.0 | 1.5-3.0 | 0.6-1.5 | 0.3-0.6 | 0.15-0.3 | @5Vdc Exc. |
| Frequency Response (Hz) | 0-150 | 0-250 | 0-400 | 0-600 | 0-1000 | 0-1500 | 0-2000 | ±5% |
| Natural Frequency (Hz) | 700 | 800 | 1000 | 1500 | 4000 | 6000 | 8000 | |
| Non-Linearity (%FSO) | ±0.5 | ±0.5 | ±0.5 | ±0.5 | ±0.5 | ±0.5 | ±0.5 | |
| Transverse Sensitivity (%) | 3 | 3 | 3 | 3 | 3 | 3 | 3 | |
| Damping Ratio | 0.7 | 0.7 | 0.7 | 0.7 | 0.7 | 0.7 | 0.6 | |
| Shock Limit (g) | 2000 | 2000 | 5000 | 5000 | 5000 | 5000 | 5000 | |

ELECTRICAL

| | | | | | | | | |
|-------------------------------|--------------------------------|-----------|-----------|-----------|-----------|-----------|-----------|--------------|
| Zero Acceleration Output (mV) | ±25 | ±25 | ±25 | ±25 | ±25 | ±25 | ±25 | Differential |
| Excitation Voltage (Vdc) | 2 to 10 | 2 to 10 | 2 to 10 | 2 to 10 | 2 to 10 | 2 to 10 | 2 to 10 | |
| Input Resistance (Ω) | 2500-6500 | 2500-6500 | 2500-6500 | 2500-6500 | 2500-6500 | 2500-6500 | 2500-6500 | |
| Output Resistance (Ω) | 2500-6500 | 2500-6500 | 2500-6500 | 2500-6500 | 2500-6500 | 2500-6500 | 2500-6500 | |
| Insulation Resistance (MΩ) | >100 | >100 | >100 | >100 | >100 | >100 | >100 | @50Vdc |
| Residual Noise (μV RMS) | 10 | 10 | 10 | 10 | 10 | 10 | 10 | Maximum |
| Ground Isolation | Isolated from Mounting Surface | | | | | | | |

ENVIRONMENTAL

| | | | | | | | | |
|----------------------------------|-----------------|-------|-------|-------|-------|-------|-------|------------|
| Thermal Zero Shift (%FSO/°C) | -0.09 | -0.09 | -0.09 | -0.09 | -0.09 | -0.09 | -0.09 | Typical |
| Thermal Sensitivity Shift (%/°C) | -0.15 | -0.15 | -0.15 | -0.15 | -0.15 | -0.15 | -0.15 | Typical |
| Operating Temperature (°C) | -40 to +125 | | | | | | | |
| Compensated Temperature (°C) | Not Compensated | | | | | | | See Note 2 |
| Storage Temperature (°C) | -40 to +125 | | | | | | | |

PHYSICAL

| | |
|----------------|--------------------|
| Case Material | Ceramic |
| Weight (grams) | 3.1 |
| Mounting | Adhesive or solder |

¹ Output is ratiometric to excitation voltage

² Order model 3022-XXX-10254 for temperature compensation resistor values included in the calibration certificate.

| | | |
|-----------------------|-----|---|
| Optional accessories: | 121 | Three Channel DC Differential Amplifier |
| | 140 | Auto-Zero Inline Amplifier |

The information in this sheet has been carefully reviewed and is believed to be accurate; however, no responsibility is assumed for inaccuracies. Furthermore, this information does not convey to the purchaser of such devices any license under the patent rights to the manufacturer. Measurement Specialties, Inc. reserves the right to make changes without further notice to any product herein. Measurement Specialties, Inc. makes no warranty, representation or guarantee regarding the suitability of its product for any particular purpose, nor does Measurement Specialties, Inc. assume any liability arising out of the application or use of any product or circuit and specifically disclaims any and all liability, including without limitation consequential or incidental damages. Typical parameters can and do vary in different applications. All operating parameters must be validated for each customer application by customer's technical experts. Measurement Specialties, Inc. does not convey any license under its patent rights nor the rights of others.

ORDERING INFORMATION

PART NUMBERING Model Number+Range+Electrical Connection

3022-GGG-P

| |
| | _____ Electrical Connection (P=pins, N=solder pads)
| _____ Range (010 is 10g)

Example: 3022-010-P
Model 3022, 10g, Pins

NORTH AMERICA

Measurement Specialties, Inc.,
a TE Connectivity Company
Tel: 800-522-6752
Email: customercare.hmpt@te.com

EUROPE

MEAS France SAS
a TE Connectivity Company
Tel: 800-440-5100
Email : customercare.lcsb@te.com

ASIA

Measurement Specialties (China), Ltd.,
a TE Connectivity Company
Sales and Customer Service
Tel: 0400-820-6015
Email: customercare.shzn@te.com

TE.com/sensorsolutions

Measurement Specialties, Inc., a TE Connectivity company.

Measurement Specialties, TE Connectivity, TE Connectivity (logo) and EVERY CONNECTION COUNTS are trademarks. All other logos, products and/or company names referred to herein might be trademarks of their respective owners.

The information given herein, including drawings, illustrations and schematics which are intended for illustration purposes only, is believed to be reliable. However, TE Connectivity makes no warranties as to its accuracy or completeness and disclaims any liability in connection with its use. TE Connectivity's obligations shall only be as set forth in TE Connectivity's Standard Terms and Conditions of Sale for this product and in no case will TE Connectivity be liable for any incidental, indirect or consequential damages arising out of the sale, resale, use or misuse of the product. Users of TE Connectivity products should make their own evaluation to determine the suitability of each such product for the specific application.

© 2015 TE Connectivity Ltd. family of companies All Rights Reserved.

Данный компонент на территории Российской Федерации

Вы можете приобрести в компании MosChip.

Для оперативного оформления запроса Вам необходимо перейти по данной ссылке:

<http://moschip.ru/get-element>

Вы можете разместить у нас заказ для любого Вашего проекта, будь то серийное производство или разработка единичного прибора.

В нашем ассортименте представлены ведущие мировые производители активных и пассивных электронных компонентов.

Нашей специализацией является поставка электронной компонентной базы двойного назначения, продукции таких производителей как XILINX, Intel (ex.ALTERA), Vicor, Microchip, Texas Instruments, Analog Devices, Mini-Circuits, Amphenol, Glenair.

Сотрудничество с глобальными дистрибьюторами электронных компонентов, предоставляет возможность заказывать и получать с международных складов практически любой перечень компонентов в оптимальные для Вас сроки.

На всех этапах разработки и производства наши партнеры могут получить квалифицированную поддержку опытных инженеров.

Система менеджмента качества компании отвечает требованиям в соответствии с ГОСТ Р ИСО 9001, ГОСТ РВ 0015-002 и ЭС РД 009

Офис по работе с юридическими лицами:

105318, г.Москва, ул.Щербаковская д.3, офис 1107, 1118, ДЦ «Щербаковский»

Телефон: +7 495 668-12-70 (многоканальный)

Факс: +7 495 668-12-70 (доб.304)

E-mail: info@moschip.ru

Skype отдела продаж:

moschip.ru

moschip.ru_4

moschip.ru_6

moschip.ru_9