

**RoHS Compliant**

## **Serial ATA Flash Drive**

SM210-18 Product Specifications (Toshiba 15nm)

**January 22, 2018**

**Version 1.2**



**Apacer Technology Inc.**

1F, No.32, Zhongcheng Rd., Tucheng Dist., New Taipei City, Taiwan, R.O.C

Tel: +886-2-2267-8000 Fax: +886-2-2267-2261

[www.apacer.com](http://www.apacer.com)

## Features:

- **Compliance with SATA Revision 3.1**
  - SATA 6.0 Gbps interface
  - Backward compatible with SATA 1.5 and 3.0 Gbps interfaces
  - ATA-8 command set
- **Capacity**
  - 32, 64, 128, 256, 512 GB
- **Performance\***
  - Burst read/write: 600 MB/sec
  - Sequential read: Up to 505 MB/sec
  - Sequential write: Up to 355 MB/sec
  - Seq. read QD32: Up to 540 MB/sec
  - Seq. write QD32: Up to 355 MB/sec
  - Random read (4K): Up to 82,000 IOPS
  - Random write (4K): Up to 77,000 IOPS
- **Flash Management**
  - Built-in hardware ECC
  - Global Wear Leveling
  - Flash bad-block management
  - S.M.A.R.T.
  - Power Failure Management
  - ATA Secure Erase
  - TRIM
- **DRAM Cache for Enhanced Random Performance**
- **SATA Power Management Mode**
- **NAND Flash Type: MLC**
- **MTBF: >1,000,000 hours**
- **Temperature Range**
  - Operating:
    - Standard: 0°C to 70°C
    - Extended: -40°C to 85°C
  - Storage: -40°C to 100°C
- **Supply Voltage**
  - 3.3V & 5V
- **Power Consumption\***
  - @3.3V
    - Active mode: 755 mA
    - Idle mode: 135 mA
  - @5V
    - Active mode: 655 mA
    - Idle mode: 75 mA
- **Form Factor**
  - 1.8 inch
  - Dimensions: 78.50 x 54.00 x 5.00, unit: mm
- **Connector Type**
  - 7-pin SATA male connector
  - 9-pin SATA power connector
- **Shock & Vibration\*\***
  - Shock: 1,500 G
  - Vibration: 15 G
- **Device Sleep Mode (optional)**
- **RoHS Compliant**

\*Varies from capacities. The values for performances and power consumptions presented are typical and may vary depending on flash configurations or platform settings. The term idle refers to the standby state of the device.

\*\*Non-operating

## Table of Contents

|  |           |
|--|-----------|
| <b>1. General Descriptions .....</b>         | <b>3</b>  |
| 1.1 Introduction .....                       | 3         |
| 1.2 Capacity Specifications .....            | 3         |
| 1.3 Performance .....                        | 3         |
| 1.4 Pin Assignments .....                    | 4         |
| <b>2. Software Interface .....</b>           | <b>6</b>  |
| 2.1 Command Set .....                        | 6         |
| 2.2 S.M.A.R.T. ....                          | 6         |
| <b>3. Flash Management .....</b>             | <b>8</b>  |
| 3.1 Error Correction/Detection .....         | 8         |
| 3.2 Bad Block Management .....               | 8         |
| 3.3 Global Wear Leveling .....               | 8         |
| 3.4 Power Failure Management .....           | 8         |
| 3.5 ATA Secure Erase .....                   | 8         |
| 3.6 TRIM .....                               | 9         |
| 3.7 SATA Power Management .....              | 9         |
| <b>4. Reliability Specifications .....</b>   | <b>10</b> |
| 4.1 Environmental Specifications .....       | 10        |
| 4.2 Mean Time Between Failures (MTBF) .....  | 10        |
| 4.3 Certification and Compliance .....       | 10        |
| <b>5. Electrical Specifications .....</b>    | <b>11</b> |
| 5.1 Operating Voltage .....                  | 11        |
| 5.2 Power Consumption .....                  | 11        |
| <b>6. Physical Characteristics .....</b>     | <b>12</b> |
| <b>7. Product Ordering Information .....</b> | <b>13</b> |
| 7.1 Product Code Designations .....          | 13        |
| 7.2 Valid Combinations .....                 | 14        |

# 1. General Descriptions

## 1.1 Introduction

Apacer's SM210-18 is a well-balanced solid-state disk (SSD) drive with standard form factor and great performance. Designed in SATA 6.0 Gbps interface, the SSD is able to deliver exceptional read/write speed, making it the ideal companion for heavy-loading industrial or server operations. In regard of reliability, the drive comes with various implementations including powerful hardware ECC engine, power saving modes, wear leveling, flash block management, S.M.A.R.T., TRIM, and power failure management.

## 1.2 Capacity Specifications

Capacity specifications of SM210-18 are available as shown in Table 1-1. It lists the specific capacity and the default numbers of heads, sectors and cylinders for each product line.

**Table 1-1** Capacity Specifications

| Capacity | Total bytes*    | Cylinders | Heads | Sectors | Max LBA       |
|----------|-----------------|-----------|-------|---------|---------------|
| 32 GB    | 32,017,047,552  | 16,383    | 16    | 63      | 62,533,296    |
| 64 GB    | 64,023,257,088  | 16,383    | 16    | 63      | 125,045,424   |
| 128 GB   | 128,035,676,160 | 16,383    | 16    | 63      | 250,069,680   |
| 256 GB   | 256,060,514,304 | 16,383    | 16    | 63      | 500,118,192   |
| 512 GB   | 512,110,190,592 | 16,383    | 16    | 63      | 1,000,215,216 |

\*Display of total bytes varies from file systems, which means not all of the bytes can be used for storage.

\*\*Notes: 1 GB = 1,000,000,000 bytes; 1 sector = 512 bytes.

LBA count addressed in the table above indicates total user storage capacity and will remain the same throughout the lifespan of the device. However, the total usable capacity of the SSD is most likely to be less than the total physical capacity because a small portion of the capacity is reserved for device maintenance usages.

## 1.3 Performance

Performance of SM210-18 is listed below in Table 1-2.

**Table 1-2** Performance Specifications

| Capacity                        | 32 GB  | 64 GB  | 128 GB | 256 GB | 512GB  |
|---------------------------------|--------|--------|--------|--------|--------|
| <b>Performance</b>              |        |        |        |        |        |
| <b>Sequential Read* (MB/s)</b>  | 340    | 365    | 480    | 480    | 505    |
| <b>Sequential Write* (MB/s)</b> | 100    | 90     | 180    | 350    | 355    |
| <b>Seq. Read QD32* (MB/s)</b>   | 360    | 385    | 520    | 520    | 540    |
| <b>Seq. Write QD32* (MB/s)</b>  | 100    | 90     | 180    | 350    | 355    |
| <b>Random Read IOPS** (4K)</b>  | 48,000 | 45,000 | 75,000 | 78,000 | 82,000 |
| <b>Random Write IOPS** (4K)</b> | 22,000 | 22,000 | 44,000 | 77,000 | 72,000 |

Note:

Results may differ from various flash configurations or host system setting.

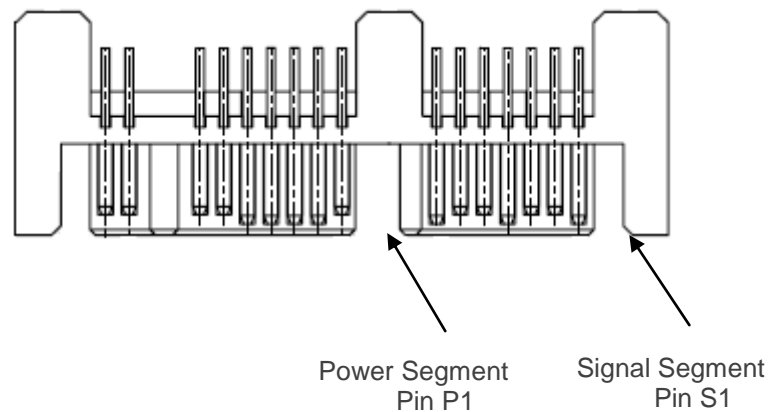
\*Sequential performance is based on CrystalDiskMark 5.2.1 with file size 1,000MB.

\*\*Random performance measured using IOMeter with Queue Depth 32.

## 1.4 Pin Assignments

Table 1-3 describes SM210-18 signal segment, and Table 1-4, its power segment.

**Figure 1-1** Micro-SATA Connectors



**Table 1-3** Signal Segment

| Name | Type | Description                    |
|------|------|--------------------------------|
| S1   | GND  |                                |
| S2   | RxP  | + Differential Receive Signal  |
| S3   | RxN  | - Differential Receive Signal  |
| S4   | GND  |                                |
| S5   | TxN  | - Differential Transmit Signal |
| S6   | TxP  | + Differential Transmit Signal |
| S7   | GND  |                                |

**Table 1-4** Power Segment

| Pin | Type     | Signal/Description |
|-----|----------|--------------------|
| P1  | V33      | 3.3 V Power        |
| P2  | V33      | 3.3 V Power        |
| P3  | GND      |                    |
| P4  | GND      |                    |
| P5  | V5       | 5 V Power          |
| P6  | V5       | 5 V Power          |
| P7  | GND      | Reserved           |
| P8  | Optional | NC                 |
| P9  | Optional | DEVSLP             |



**Figure 1-2** SATA Cable/Connector Connection Diagram

The connector on the left represents the Host with TX/RX differential pairs connected to a cable. The connector on the right shows the Device with TX/RX differential pairs also connected to the cable. Notice also the ground path connecting the shielding of the cable to the Cable Receptacle.

## 2. Software Interface

### 2.1 Command Set

Table 2-1 summarizes the ATA commands supported by SM210-18.

**Table 2-1** Command Set

| Code      | Command                      | Code       | Command                   |
|-----------|------------------------------|------------|---------------------------|
| E5h       | Check Power Mode             | F6h        | Security Disable Password |
| 90h       | Execute Diagnostics          | F3h        | Security Erase Prepare    |
| E7h       | Flush Cache                  | F4h        | Security Erase Unit       |
| ECh       | Identify Device              | F5h        | Security Freeze Lock      |
| E3h       | Idle                         | F1h        | Security Set Password     |
| E1h       | Idle Immediate               | F2h        | Security Unlock           |
| 91h       | Initialize Device Parameters | 7Xh        | Seek                      |
| C8h       | Read DMA                     | EFh        | Set Features              |
| 25h       | Read DMA EXT                 | C6h        | Set Multiple Mode         |
| 60h       | Read FPDMA Queued            | E6h        | Sleep                     |
| 47h       | Read Log DMA EXT             | B0h        | S.M.A.R.T.                |
| 2Fh       | Read Log EXT                 | E2h        | Standby                   |
| C4h       | Read Multiple                | E0h        | Standby Immediate         |
| 20 or 21h | Read Sector(s)               | CAh        | Write DMA                 |
| 40 or 41h | Read Verify Sector(s)        | 35h        | Write DMA EXT             |
| 10h       | Recalibrate                  | 61h        | Write FPDMA Queued        |
| 57h       | Write Log DMA EXT            | 3Fh        | Write Log EXT             |
| C5h       | Write Multiple               | 30h or 31h | Write Sector(s)           |

### 2.2 S.M.A.R.T.

S.M.A.R.T. is an abbreviation for Self-Monitoring, Analysis and Reporting Technology, a self-monitoring system that provides indicators of drive health as well as potential disk problems. It serves as a warning for users from unscheduled downtime by monitoring and displaying critical drive information. Ideally, this should allow taking proactive actions to prevent drive failure and make use of S.M.A.R.T. information for future product development reference.

Apacer devices use the standard SMART command B0h to read data out from the drive to activate our S.M.A.R.T. feature that complies with the ATA/ATAPI specifications. S.M.A.R.T. Attribute IDs shall include initial bad block count, total later bad block count, maximum erase count, average erase count, power on hours and power cycle. When the S.M.A.R.T. Utility running on the host, it analyzes and reports the disk status to the host before the device reaches in critical condition.

Note: Attribute IDs may vary from product models due to various solution design and supporting capabilities.

Apacer memory products come with S.M.A.R.T. commands and subcommands for users to obtain information of drive status and to predict potential drive failures. Users can take advantage of the following commands/subcommands to monitor the health of the drive.

| Code | SMART Subcommand                  |
|------|-----------------------------------|
| D0h  | READ DATA                         |
| D1h  | READ ATTRIBUTE THRESHOLDS         |
| D2h  | Enable/Disable Attribute Autosave |
| D4h  | Execute Off-line Immediate        |
| D5h  | Read Log (optional)               |
| D6h  | Write Log (optional)              |
| D8h  | Enable Operations                 |
| D9h  | Disable operations                |
| DAh  | Return Status                     |

### General SMART attribute structure

| Byte  | Description |
|-------|-------------|
| 0     | ID (Hex)    |
| 1 – 2 | Status flag |
| 3     | Value       |
| 4     | Worst       |
| 5*-11 | Raw Data    |

\*Byte 5: LSB

### SMART attribute ID list

| ID (Hex)   | Attribute Name                     |
|------------|------------------------------------|
| 9 (0x09)   | Power-on hours                     |
| 12 (0x0C)  | Power cycle count                  |
| 163 (0xA3) | Max. erase count                   |
| 164 (0xA4) | Avg. erase count                   |
| 166 (0xA6) | Total later bad block count        |
| 167 (0xA7) | SSD Protect Mode (vendor specific) |
| 168 (0xA8) | SATA PHY Error Count               |
| 175 (0xAF) | Bad Cluster Table Count            |
| 192 (0xC0) | Unexpected Power Loss Count        |
| 194 (0xC2) | Temperature                        |
| 241 (0xF1) | Total sectors of write             |



## 3. Flash Management

### 3.1 Error Correction/Detection

SM210-18 implements a hardware ECC scheme, based on the BCH algorithm. It can detect and correct up to 72 bit error in 1K bytes.

### 3.2 Bad Block Management

Current production technology is unable to guarantee total reliability of NAND flash memory array. When a flash memory device leaves factory, it comes with a minimal number of initial bad blocks during production or out-of-factory as there is no currently known technology that produce flash chips free of bad blocks. In addition, bad blocks may develop during program/erase cycles. When host performs program/erase command on a block, bad block may appear in Status Register. Since bad blocks are inevitable, the solution is to keep them in control. Apacer flash devices are programmed with ECC, page mapping technique and S.M.A.R.T to reduce invalidity or error. Once bad blocks are detected, data in those blocks will be transferred to free blocks and error will be corrected by designated algorithms.

### 3.3 Global Wear Leveling

Flash memory devices differ from Hard Disk Drives (HDDs) in terms of how blocks are utilized. For HDDs, when a change is made to stored data, like erase or update, the controller mechanism on HDDs will perform overwrites on blocks. Unlike HDDs, flash blocks cannot be overwritten and each P/E cycle wears down the lifespan of blocks gradually. Repeatedly program/erase cycles performed on the same memory cells will eventually cause some blocks to age faster than others. This would bring flash storages to their end of service term sooner. Global wear leveling is an important mechanism that levels out the wearing of all blocks so that the wearing-down of all blocks can be almost evenly distributed. This will increase the lifespan of SSDs.

### 3.4 Power Failure Management

Power Failure Management plays a crucial role when experiencing unstable power supply. Power disruption may occur when users are storing data into the SSD. In this urgent situation, the controller would run multiple write-to-flash cycles to store the metadata for later block rebuilding. This urgent operation requires about several milliseconds to get it done. At the next power up, the firmware will perform a status tracking to retrieve the mapping table and resume previously programmed NAND blocks to check if there is any incompleteness of transmission.

Note: The controller unit of this product model is designed with a DRAM as a write cache for improved performance and data efficiency. Though unlikely to happen in most cases, the data cached in the volatile DRAM might be potentially affected if a sudden power loss takes place before the cached data is flushed into non-volatile NAND flash memory.

### 3.5 ATA Secure Erase

ATA Secure Erase is an ATA disk purging command currently embedded in most of the storage drives. Defined in ATA specifications, (ATA) Secure Erase is part of Security Feature Set that allows storage drives to erase all user data areas. The erase process usually runs on the firmware level as most of the ATA-based storage media currently in the market are built-in with this command. ATA Secure Erase can securely wipe out the user data in the drive and protects it from malicious attack.

## 3.6 TRIM

TRIM is a SATA command that helps improve the read/write performance and efficiency of solid-state drives (SSD). The command enables the host operating system to inform SSD controller which blocks contain invalid data, mostly because of the erase commands from host. The invalid will be discarded permanently and the SSD will retain more space for itself.

## 3.7 SATA Power Management

By complying with SATA 6.0 Gb/s specifications, the SSD supports the following SATA power saving modes:

- ACTIVE: PHY ready, full power, Tx & Rx operational
- PARTIAL: Reduces power, resumes in under 10  $\mu$ s (microseconds)
- SLUMBER: Reduces power, resumes in under 10 ms (milliseconds)
- HIPM: Host-Initiated Power Management
- DIPM: Device-Initiated Power Management
- AUTO-SLUMBER: Automatic transition from partial to slumber.

Note:

1. The behaviors of power management features would depend on host/device settings.
2. Device Sleep mode is optional, depending on product ordering selections.

## 4. Reliability Specifications

### 4.1 Environmental Specifications

Environmental specifications of SM210-18 product are shown in Table 4-1.

**Table 4-1** Environmental Specifications

| Environment | Specifications  |
|-------------|---|
| Temperature | 0°C to 70°C (Operating); -40°C to 85°C (Extended)   |
|             | -40°C to 100°C (Non-operating)  |
| Vibration   | Non-operating: Sine wave, 15(G), 10~2000(Hz),<br>Operating: Random, 7.69(Grms), 20~2000(Hz) |
| Shock       | Non-operating: Acceleration, 1,500 G, 0.5 ms<br>Operating: Peak acceleration, 50 G, 11 ms   |

### 4.2 Mean Time Between Failures (MTBF)

Mean Time Between Failures (MTBF) is predicted based on reliability data for the individual components in SM210-18. The prediction result for SM210-18 is more than 1,000,000 hours.

Note: The MTBF is predicated and calculated based on “Telcordia Technologies Special Report, SR-332, Issue 2” method.

### 4.3 Certification and Compliance

SM210-18 complies with the following standards:

- CE
- FCC
- RoHS Recast
- MIL-STD-810F

## 5. Electrical Specifications

### 5.1 Operating Voltage

Table 5-1 lists the supply voltage for SM210-18.

**Table 5-1** Operating Voltage

| Item           | Range  |
|----------------|--|
| Supply Voltage | 3.3V ± 5% (3.135-3.465V)<br>5V ± 5% (4.75-5.25V) |

### 5.2 Power Consumption

Table 5-2 lists the power consumption for SM210-18.

**Table 5-2** Power Consumption @ 3.3V

| Mode \ Capacity | 32 GB | 64 GB | 128 GB | 256 GB | 512 GB |
|-----------------|-------|-------|--------|--------|--------|
| Active (mA)     | 330   | 360   | 480    | 735    | 755    |
| Idle (mA)       | 130   | 130   | 135    | 135    | 135    |

**Table 5-3** Power Consumption @ 5V

| Mode \ Capacity | 32 GB | 64 GB | 128 GB | 256 GB | 512 GB |
|-----------------|-------|-------|--------|--------|--------|
| Active (mA)     | 215   | 230   | 310    | 500    | 655    |
| Idle (mA)       | 70    | 70    | 70     | 75     | 75     |

Note:

\*All values are typical and may vary depending on flash configurations or host system settings.

\*\*Active power is an average power measurement performed using CrystalDiskMark with 128KB sequential read/write transfers.

## 6. Physical Characteristics



Unit: mm  
Tolerance: ± 0.2

## 7. Product Ordering Information

### 7.1 Product Code Designations



## 7.2 Valid Combinations

### 7.2.1 3.3V / Operating Temperature (0°C ~ 70°C)

| Capacity | No DEVSLP            | DEVSLP               |
|----------|----------------------|----------------------|
| 32GB     | APS18AFA032G-4ATM1GL | APS18AFA032G-4BTM1GL |
| 64GB     | APS18AFA064G-4ATM1GL | APS18AFA064G-4BTM1GL |
| 128GB    | APS18AFA128G-4ATM1GL | APS18AFA128G-4BTM1GL |
| 256GB    | APS18AFA256G-4ATM1GL | APS18AFA256G-4BTM1GL |
| 512GB    | APS18AFA512G-4ATM1GL | APS18AFA512G-4BTM1GL |

### 7.2.2 3.3V / Operating Temperature (-40°C ~ 85°C)

| Capacity | No DEVSLP             | DEVSLP                |
|----------|-----------------------|-----------------------|
| 32GB     | APS18AFA032G-4ATM1GWL | APS18AFA032G-4BTM1GWL |
| 64GB     | APS18AFA064G-4ATM1GWL | APS18AFA064G-4BTM1GWL |
| 128GB    | APS18AFA128G-4ATM1GWL | APS18AFA128G-4BTM1GWL |
| 256GB    | APS18AFA256G-4ATM1GWL | APS18AFA256G-4BTM1GWL |
| 512GB    | APS18AFA512G-4ATM1GWL | APS18AFA512G-4BTM1GWL |

### 7.2.3 5V / Operating Temperature (0°C ~ 70°C)

| Capacity | No DEVSLP           | DEVSLP              |
|----------|---------------------|---------------------|
| 32GB     | APS18AFA032G-4ATM1G | APS18AFA032G-4BTM1G |
| 64GB     | APS18AFA064G-4ATM1G | APS18AFA064G-4BTM1G |
| 128GB    | APS18AFA128G-4ATM1G | APS18AFA128G-4BTM1G |
| 256GB    | APS18AFA256G-4ATM1G | APS18AFA256G-4BTM1G |
| 512GB    | APS18AFA512G-4ATM1G | APS18AFA512G-4BTM1G |

### 7.2.4 5V / Operating Temperature (-40°C ~ 85°C)

| Capacity | No DEVSLP            | DEVSLP               |
|----------|----------------------|----------------------|
| 32GB     | APS18AFA032G-4ATM1GW | APS18AFA032G-4BTM1GW |
| 64GB     | APS18AFA064G-4ATM1GW | APS18AFA064G-4BTM1GW |
| 128GB    | APS18AFA128G-4ATM1GW | APS18AFA128G-4BTM1GW |
| 256GB    | APS18AFA256G-4ATM1GW | APS18AFA256G-4BTM1GW |
| 512GB    | APS18AFA512G-4ATM1GW | APS18AFA512G-4BTM1GW |

**Note:** Valid combinations are those products in mass production or will be in mass production. Consult your Apacer sales representative to confirm availability of valid combinations and to determine availability of new combinations.

## Revision History

| Revision | Date       | Description   | Remark |
|----------|------------|---|--------|
| 1.0      | 10/18/2017 | Official release  |        |
| 1.1      | 11/3/2017  | Added 512GB support   |        |
| 1.2      | 1/22/2018  | - Added 32GB support<br>- Updated performance and power consumption for 512BB<br>- Updated product ordering information |        |



## Global Presence

### Taiwan (Headquarters)

#### Apacer Technology Inc.

1F., No.32, Zhongcheng Rd., Tucheng Dist.,  
New Taipei City 236, Taiwan R.O.C.  
Tel: 886-2-2267-8000  
Fax: 886-2-2267-2261  
[amtsales@apacer.com](mailto:amtsales@apacer.com)

### U.S.A.

#### Apacer Memory America, Inc.

46732 Lakeview Blvd., Fremont, CA 94538  
Tel: 1-408-518-8699  
Fax: 1-510-249-9551  
[sa@apacerus.com](mailto:sa@apacerus.com)

### Japan

#### Apacer Technology Corp.

6F, Daiyontamachi Bldg., 2-17-12, Shibaura, Minato-Ku,  
Tokyo, 108-0023, Japan  
Tel: 81-3-5419-2668  
Fax: 81-3-5419-0018  
[jpservices@apacer.com](mailto:jpservices@apacer.com)

### Europe

#### Apacer Technology B.V.

Science Park Eindhoven 5051 5692 EB Son,  
The Netherlands  
Tel: 31-40-267-0000  
Fax: 31-40-290-0686  
[sales@apacer.nl](mailto:sales@apacer.nl)

### China

#### Apacer Electronic (Shanghai) Co., Ltd

Room D, 22/FL, No.2, Lane 600, JieyunPlaza,  
Tianshan RD, Shanghai, 200051, China  
Tel: 86-21-6228-9939  
Fax: 86-21-6228-9936  
[sales@apacer.com.cn](mailto:sales@apacer.com.cn)

### India

#### Apacer Technologies Pvt Ltd,

Unit No.201, "Brigade Corner", 7<sup>th</sup> Block  
Jayanagar,  
Yediyur Circle, Bangalore – 560082, India  
Tel: 91-80-4152-9061  
Fax: 91-80-4170-0215  
[sales\\_india@apacer.com](mailto:sales_india@apacer.com)

## Данный компонент на территории Российской Федерации

### Вы можете приобрести в компании MosChip.

Для оперативного оформления запроса Вам необходимо перейти по данной ссылке:

<http://moschip.ru/get-element>

Вы можете разместить у нас заказ для любого Вашего проекта, будь то серийное производство или разработка единичного прибора.

В нашем ассортименте представлены ведущие мировые производители активных и пассивных электронных компонентов.

Нашей специализацией является поставка электронной компонентной базы двойного назначения, продукции таких производителей как XILINX, Intel (ex.ALTERA), Vicor, Microchip, Texas Instruments, Analog Devices, Mini-Circuits, Amphenol, Glenair.

Сотрудничество с глобальными дистрибьюторами электронных компонентов, предоставляет возможность заказывать и получать с международных складов практически любой перечень компонентов в оптимальные для Вас сроки.

На всех этапах разработки и производства наши партнеры могут получить квалифицированную поддержку опытных инженеров.

Система менеджмента качества компании отвечает требованиям в соответствии с ГОСТ Р ИСО 9001, ГОСТ РВ 0015-002 и ЭС РД 009

### Офис по работе с юридическими лицами:

105318, г.Москва, ул.Щербаковская д.3, офис 1107, 1118, ДЦ «Щербаковский»

Телефон: +7 495 668-12-70 (многоканальный)

Факс: +7 495 668-12-70 (доб.304)

E-mail: [info@moschip.ru](mailto:info@moschip.ru)

Skype отдела продаж:

moschip.ru

moschip.ru\_4

moschip.ru\_6

moschip.ru\_9