

---

## LOW RIPPLE VOLTAGE REGULATOR WITH EXTERNAL TRANSISTOR

---

NO. EA-043-111116

### OUTLINE

The RN5RF Series are CMOS-based voltage regulator ICs which control external driver transistors with high ripple rejection, high accuracy output voltage, low supply current. Each of these voltage regulator ICs consists of a voltage reference unit, an error amplifier, output voltage setting resistor, short circuit current limiting circuit and chip enable circuit. These ICs are suitable for constructing regulators with ultra low dropout voltage and an output current in the range of several tens of mA and several hundreds mA. In addition to low supply current by CMOS process, chip enable function can be used to conserve battery life during standby.

Furthermore, a supreme ripple rejection and a transient response are suitable for portable communicator such as cell phones, PDAs, walky talkies. SOT23-5 (Mini Mold) package is available.

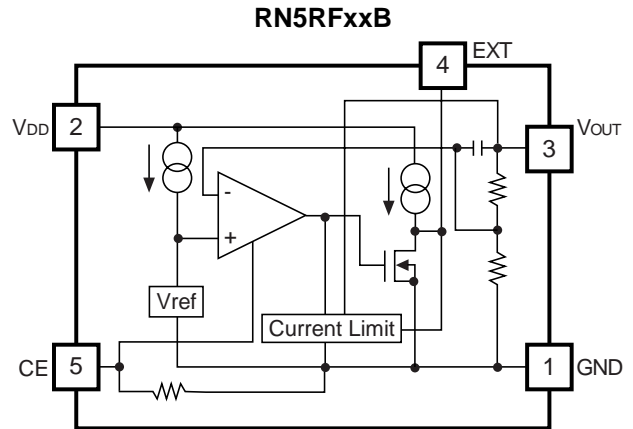
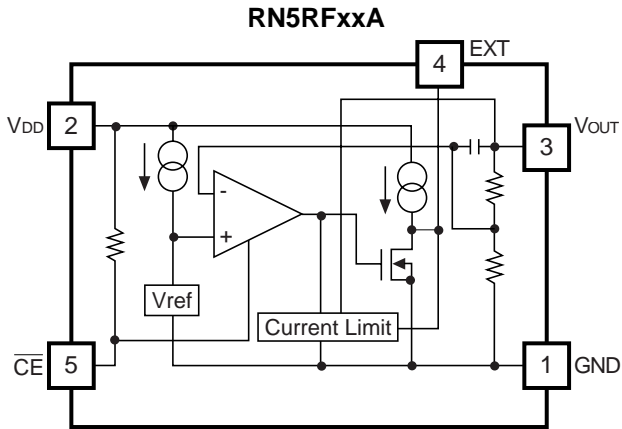
### FEATURES

- Supply Current ..... Typ. 30 $\mu$ A
- Supply Current (Standby) ..... Typ. 0.1 $\mu$ A
- Output Voltage Accuracy..... $\pm$ 2%
- Ripple Rejection..... Typ. 60dB (f=1kHz)
- Dropout Voltage ..... Typ. 0.1V (I<sub>OUT</sub>=100mA, dependent on External Tr.)
- Temperature-Drift Coefficient of Output Voltage ..... Typ.  $\pm$  100ppm/ $^{\circ}$ C
- Line Regulation ..... Typ. 0.05%/V
- Output Voltage Range..... 1.2V to 6.0V (0.1V steps)  
(For other voltages, please refer to MARK INFORMATIONS.)
- Package ..... SOT-23-5
- Current Limit for external Tr. .... Current limit Typ. 8mA

### APPLICATIONS

- Power source for battery-powered equipment
- Power source for hand-held communication equipment, cameras, and VCRs
- Power source for home appliances

**BLOCK DIAGRAMS**



**SELECTION GUIDE**

The output voltage and CE pin polarity for the ICs can be selected at the user's request.

| Product Name   | Package  | Quantity per Reel | Pb Free | Halogen Free |
|--|----------|-------------------|---------|--------------|
| RN5RFxx*A-TR-FE  | SOT-23-5 | 3,000 pcs         | Yes     | Yes          |
| xx: The output voltage can be designated in the range from 1.2V (12) to 6.0V (60) in 0.1V steps.<br>(For other voltages, please refer to MARK INFORMATIONS.) |          |                   |         |              |
| * : CE pin polarity are options as follows<br>(A) "L" active<br>(B) "H" active   |          |                   |         |              |

## PIN CONFIGURATION



## PIN DESCRIPTION

● SOT-23-5

| Pin No | Symbol                       | Pin Description                             |
|--------|------------------------------|---|
| 1      | GND                          | Ground Pin                                  |
| 2      | V <sub>DD</sub>              | Input Pin                                   |
| 3      | V <sub>OUT</sub>             | Output Pin                                  |
| 4      | EXT                          | External Transistor Drive Pin (CMOS Output) |
| 5      | $\overline{\text{CE}}$ or CE | Chip Enable Pin                             |

## ABSOLUTE MAXIMUM RATINGS

| Symbol    | Item                                   | Rating               | Unit |
|-----------|--|----------------------|------|
| $V_{IN}$  | Input Voltage                          | 12.0                 | V    |
| $V_{CE}$  | Input Voltage ( $\overline{CE}$ or CE) | -0.3 to $V_{IN}+0.3$ | V    |
| $V_{EXT}$ | EXT Output Voltage                     | -0.3 to $V_{IN}+0.3$ | V    |
| $I_{EXT}$ | EXT Output Current                     | 50                   | mA   |
| $P_D$     | Power Dissipation* (SOT-23-5)          | 420                  | mW   |
| $T_{opt}$ | Operating Temperature Range            | -40 to 85            | °C   |
| $T_{stg}$ | Storage Temperature Range              | -55 to 125           | °C   |

\*) For Power Dissipation, please refer to PACKAGE INFORMATION.

### ABSOLUTE MAXIMUM RATINGS

Electronic and mechanical stress momentarily exceeded absolute maximum ratings may cause the permanent damages and may degrade the life time and safety for both device and system using the device in the field.

The functional operation at or over these absolute maximum ratings is not assured.

### RECOMMENDED OPERATING CONDITIONS (ELECTRICAL CHARACTERISTICS)

All of electronic equipment should be designed that the mounted semiconductor devices operate within the recommended operating conditions. The semiconductor devices cannot operate normally over the recommended operating conditions, even if when they are used over such conditions by momentary electronic noise or surge. And the semiconductor devices may receive serious damage when they continue to operate over the recommended operating conditions.

## ELECTRICAL CHARACTERISTICS

## • RN5RFxxA

T<sub>opt</sub>=25°C

| Symbol                               | Item                                     | Conditions   | Min.                      | Typ.              | Max.                      | Unit   |
|--------------------------------------|--|--|---------------------------|-------------------|---------------------------|--------|
| V <sub>OUT</sub>                     | Output Voltage                           | V <sub>IN</sub> -V <sub>OUT</sub> =1.0V<br>I <sub>OUT</sub> =50mA      | V <sub>OUT</sub><br>×0.98 |                   | V <sub>OUT</sub><br>×1.02 | V      |
| I <sub>OUT</sub>                     | Output Current                           | V <sub>IN</sub> -V <sub>OUT</sub> =1.0V                                |                           | 1.0 <sup>*1</sup> |                           | A      |
| I <sub>EXT</sub>                     | EXT Current                              | V <sub>IN</sub> =4.0V, V <sub>EXT</sub> =2.0V                          | 5                         | 8                 | 15                        | mA     |
| ΔV <sub>OUT</sub> /ΔI <sub>OUT</sub> | Load Regulation                          | V <sub>IN</sub> -V <sub>OUT</sub> =1.0V<br>1mA≤I <sub>OUT</sub> ≤100mA | -60                       |                   | 60                        | mV     |
| V <sub>DIF</sub>                     | Dropout Voltage                          | I <sub>OUT</sub> =100mA, I <sub>OUT</sub> =0mA                         |                           | 0.1               | 0.2                       | V      |
| I <sub>SS</sub>                      | Supply Current                           | V <sub>IN</sub> -V <sub>OUT</sub> =1.0V                                |                           | 30                | 50                        | μA     |
| I <sub>standby</sub>                 | Standby Current                          | V <sub>IN</sub> =10.0V   | 0.01                      | 0.10              | 1.00                      | μA     |
| I <sub>EXTleak</sub>                 | EXT Leakage Current                      |  |                           |                   | 0.5                       | μA     |
| ΔV <sub>OUT</sub> /ΔV <sub>IN</sub>  | Line Regulation                          | I <sub>OUT</sub> =50mA<br>V <sub>OUT</sub> +0.5V≤V <sub>IN</sub> ≤10V  | 0.00                      | 0.05              | 0.30                      | %/V    |
| R <sub>R</sub>                       | Ripple Rejection                         | f=1kHz, sinusoidal 0.5Vp-p<br>V <sub>IN</sub> -V <sub>OUT</sub> =1.0V  |                           | 60                |                           | dB     |
| V <sub>IN</sub>                      | Input Voltage                            |  |                           |                   | 10                        | V      |
| V <sub>EXT</sub>                     | EXT Output Voltage                       |  |                           |                   | 10                        | V      |
| ΔV <sub>OUT</sub> /ΔT <sub>opt</sub> | Output Voltage Temperature Coefficient   | I <sub>OUT</sub> =10mA<br>-40°C≤T <sub>opt</sub> ≤85°C                 |                           | ±100              |                           | ppm/°C |
| R <sub>PU</sub>                      | Pull up resistance for CE pin            |  |                           | 4                 |                           | MΩ     |
| V <sub>CEH</sub>                     | $\overline{\text{CE}}$ Input Voltage “H” |  | 1.5                       |                   | V <sub>IN</sub>           | V      |
| V <sub>CEL</sub>                     | $\overline{\text{CE}}$ Input Voltage “L” |  | 0.00                      |                   | 0.25                      | V      |

\*1) The output current depends on the performance of external PNP transistor. Use External PNP transistor of a low saturation type, with an h<sub>FE</sub> between 100 and 300.

\*) With respect to Test Circuit, refer to Typical Application.

## • RN5RFxxB

Topt=25°C

| Symbol                          | Item                                   | Conditions   | Min.                       | Typ.       | Max.                       | Unit       |
|---------------------------------|--|--|----------------------------|------------|----------------------------|------------|
| $V_{OUT}$                       | Output Voltage                         | $V_{IN}-V_{OUT}=1.0V$<br>$I_{OUT}=50mA$                      | $V_{OUT}$<br>$\times 0.98$ |            | $V_{OUT}$<br>$\times 1.02$ | V          |
| $I_{OUT}$                       | Output Current                         | $V_{IN}-V_{OUT}=1.0V$  |                            | $1.0^{*1}$ |                            | A          |
| $I_{EXT}$                       | EXT Current                            | $V_{IN}=4.0V, V_{EXT}=2.0V$                                  | 5                          | 8          | 15                         | mA         |
| $\Delta V_{OUT}/\Delta I_{OUT}$ | Load Regulation                        | $V_{IN}-V_{OUT}=1.0V$<br>$1mA \leq I_{OUT} \leq 100mA$       | -60                        |            | 60                         | mV         |
| $V_{DIF}$                       | Dropout Voltage                        | $I_{OUT}=100mA$  |                            | 0.1        | 0.2                        | V          |
| $I_{SS}$                        | Supply Current                         | $V_{IN}-V_{OUT}=1.0V$<br>$I_{OUT}=0mA$                       |                            | 30         | 50                         | $\mu A$    |
| Istandby                        | Standby Current                        | $V_{IN}=10.0V$   | 0.01                       | 0.10       | 1.00                       | $\mu A$    |
| $I_{EXTleak}$                   | EXT Leakage Current                    |  |                            |            | 0.5                        | $\mu A$    |
| $\Delta V_{OUT}/\Delta V_{IN}$  | Line Regulation                        | $I_{OUT}=50mA$<br>$V_{OUT}+0.5V \leq V_{IN} \leq 10V$        | 0.00                       | 0.05       | 0.30                       | %/V        |
| $R_R$                           | Ripple Rejection                       | $f=1kHz$ , sinusoidal 0.5Vp-p<br>$V_{IN}-V_{OUT}=1.0V$       |                            | 60         |                            | dB         |
| $V_{IN}$                        | Input Voltage                          |  |                            |            | 10                         | V          |
| $V_{EXT}$                       | EXT Output Voltage                     |  |                            |            | 10                         | V          |
| $\Delta V_{OUT}/\Delta T_{opt}$ | Output Voltage Temperature Coefficient | $I_{OUT}=10mA$<br>$-40^\circ C \leq T_{opt} \leq 85^\circ C$ |                            | $\pm 100$  |                            | ppm/°C     |
| $R_{PD}$                        | Pull down resistance for CE pin        |  |                            | 4          |                            | M $\Omega$ |
| $V_{CEH}$                       | CE Input Voltage “H”                   |  | 1.5                        |            | $V_{IN}$                   | V          |
| $V_{CEL}$                       | CE Input Voltage “L”                   |  | 0.00                       |            | 0.25                       | V          |

\*1) The output current depends on the performance of external PNP transistor. Use External PNP transistor of a low saturation type, with an  $h_{FE}$  between 100 and 300.

\*) With respect to Test Circuit, refer to Typical Application.

**OPERATION**



In these ICs, Output Voltage  $V_{OUT}$  is detected by feed-back resistors,  $R_A$  and  $R_B$  and the detected output voltage is compared with a reference voltage by the error amplifier so that the base current of an external PNP Transistor can be adjusted and the output voltage  $V_{OUT}$  is able to be regulated.

The base current of an external Tr is monitored and controlled by an internal base current limit circuit to keep current within a proper range. Furthermore, the other current limit circuit prevents a problem which is that a base current increases sharply when an input voltage,  $V_{IN}$  becomes lower than set output voltage.

**Notes on selecting external components**

- (1) On external PNP transistor  
 Be careful of output current, input voltage and power dissipation of an external PNP Transistor.  
 External PNP Transistor with a low  $V_{CE}$  (sat) and an  $h_{FE}$  between 100 and 300 is suitable.
- (2) On phase compensation in these ICs, phase compensation is made for securing stable operation even if the load current is varied. For this purpose, be sure to use a capacitor  $C_L$  (tantalum type) with a capacitance of  $10\mu F$  or more. There may be the case the loop oscillation takes place when a tantalum capacitor  $C_L$  with a large ESR is used, so select the  $C_L$  carefully with considering the frequency characteristics also.

**TEST CIRCUITS**



**Basic Test Circuit**



**Test Circuit for Supply Current**



**Test Circuit for Ripple Rejection and Line Transient Response**

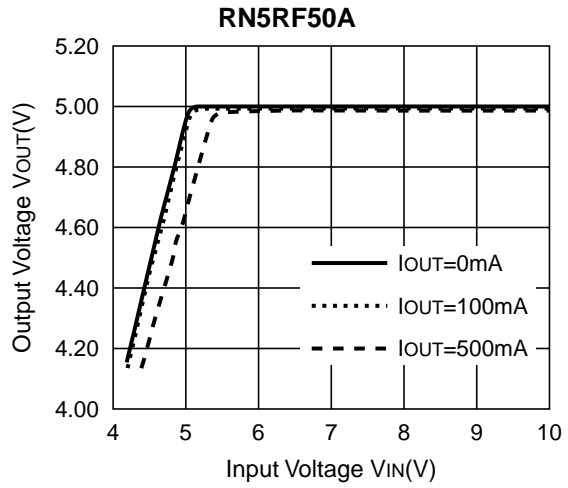
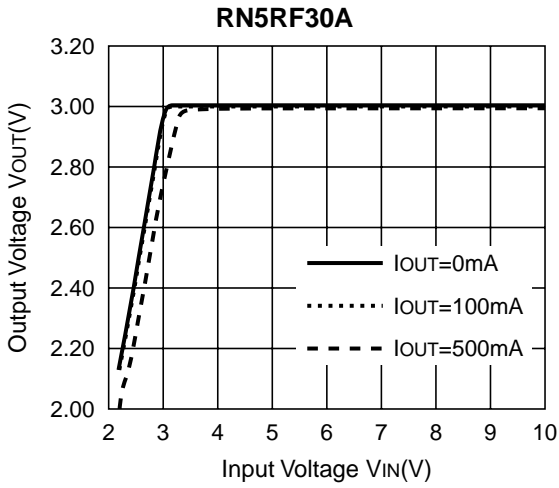


**Test Circuit for Load Transient Response**

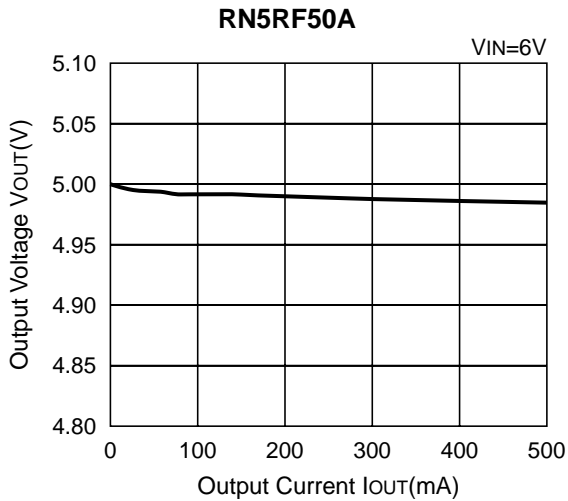
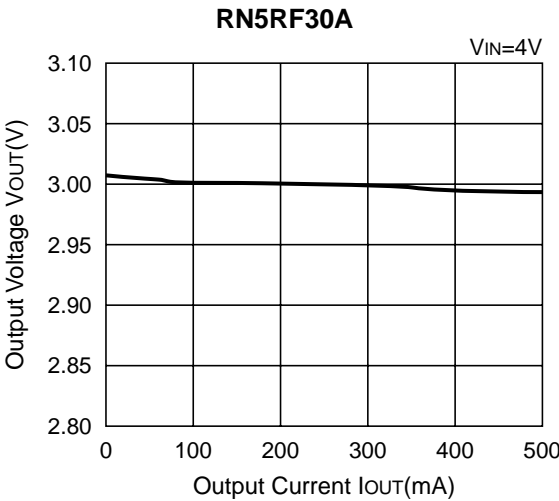


# TYPICAL CHARACTERISTICS

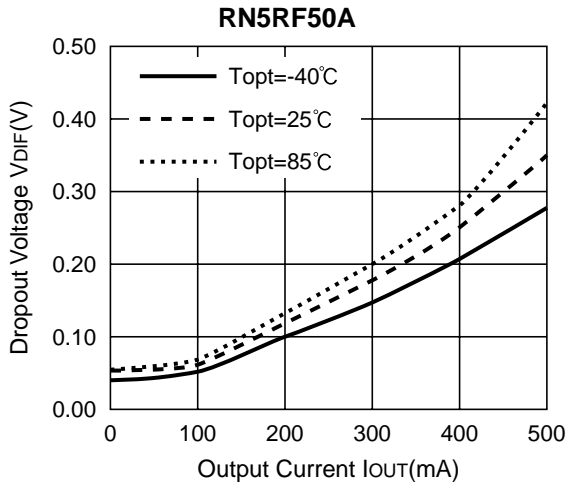
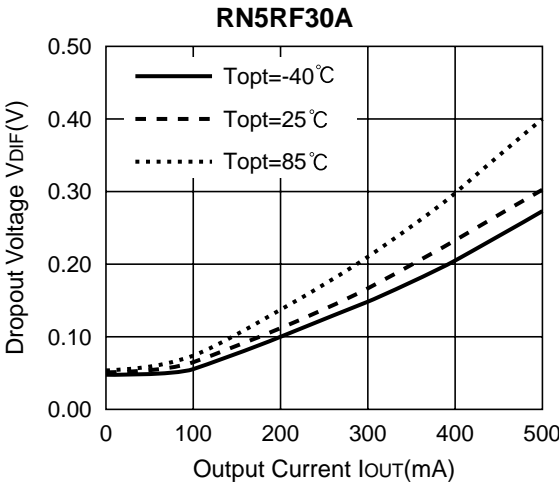
1) Output Voltage vs. Input Voltage (T<sub>opt</sub>=25°C)



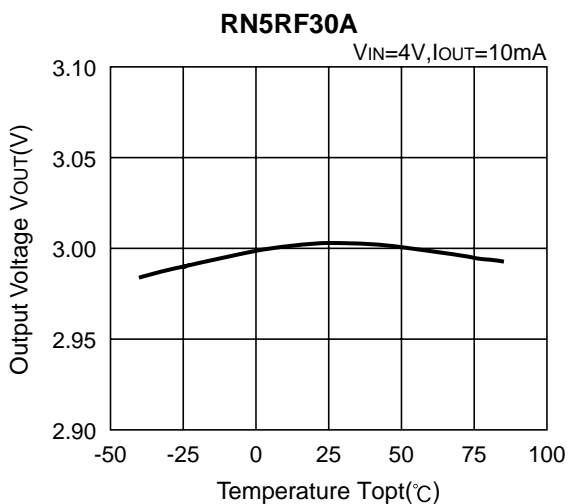
2) Output Voltage vs. Output Current (T<sub>opt</sub>=25°C)



3) Dropout Voltage vs. Output Current



4) Output Voltage vs. Temperature



5) Supply Current vs. Input Voltage (Topt=25°C)



6) Supply Current vs. Temperature



7) Ripple Rejection vs. Frequency (T<sub>opt</sub>=25°C)



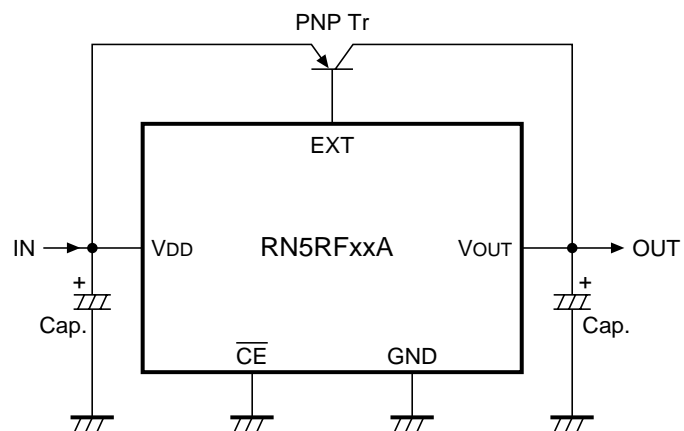
8) Line Transient Response (T<sub>opt</sub>=25°C)



9) Load Transient Response (T<sub>opt</sub>=25°C)



## TYPICAL APPLICATION



### Components

Transistor: 2SB766A

Capacitor: 10 $\mu$ F (Tantalum type)



1. The products and the product specifications described in this document are subject to change or discontinuation of production without notice for reasons such as improvement. Therefore, before deciding to use the products, please refer to Ricoh sales representatives for the latest information thereon.
2. The materials in this document may not be copied or otherwise reproduced in whole or in part without prior written consent of Ricoh.
3. Please be sure to take any necessary formalities under relevant laws or regulations before exporting or otherwise taking out of your country the products or the technical information described herein.
4. The technical information described in this document shows typical characteristics of and example application circuits for the products. The release of such information is not to be construed as a warranty of or a grant of license under Ricoh's or any third party's intellectual property rights or any other rights.
5. The products listed in this document are intended and designed for use as general electronic components in standard applications (office equipment, telecommunication equipment, measuring instruments, consumer electronic products, amusement equipment etc.). Those customers intending to use a product in an application requiring extreme quality and reliability, for example, in a highly specific application where the failure or misoperation of the product could result in human injury or death (aircraft, spacevehicle, nuclear reactor control system, traffic control system, automotive and transportation equipment, combustion equipment, safety devices, life support system etc.) should first contact us.
6. We are making our continuous effort to improve the quality and reliability of our products, but semiconductor products are likely to fail with certain probability. In order to prevent any injury to persons or damages to property resulting from such failure, customers should be careful enough to incorporate safety measures in their design, such as redundancy feature, fire containment feature and fail-safe feature. We do not assume any liability or responsibility for any loss or damage arising from misuse or inappropriate use of the products.
7. Anti-radiation design is not implemented in the products described in this document.
8. Please contact Ricoh sales representatives should you have any questions or comments concerning the products or the technical information.



**Ricoh is committed to reducing the environmental loading materials in electrical devices with a view to contributing to the protection of human health and the environment.**

Ricoh has been providing RoHS compliant products since April 1, 2006 and Halogen-free products since April 1, 2012.

**RICOH** RICOH ELECTRONIC DEVICES CO., LTD.

<http://www.e-devices.ricoh.co.jp/en/>

#### Sales & Support Offices

##### **RICOH ELECTRONIC DEVICES CO., LTD.**

**Higashi-Shinagawa Office (International Sales)**  
3-32-3, Higashi-Shinagawa, Shinagawa-ku, Tokyo 140-8655, Japan  
Phone: +81-3-5479-2857 Fax: +81-3-5479-0502

##### **RICOH EUROPE (NETHERLANDS) B.V.**

**Semiconductor Support Centre**  
Prof. W.H. Keesomlaan 1, 1183 DJ Amstelveen, The Netherlands  
Phone: +31-20-5474-309

##### **RICOH ELECTRONIC DEVICES KOREA CO., LTD.**

3F, Haesung Bldg. 504, Teheran-ro, Gangnam-gu, Seoul, 135-725, Korea  
Phone: +82-2-2135-5700 Fax: +82-2-2051-5713

##### **RICOH ELECTRONIC DEVICES SHANGHAI CO., LTD.**

Room 403, No.2 Building, No.690 Bilbo Road, Pu Dong New District, Shanghai 201203,  
People's Republic of China  
Phone: +86-21-5027-3200 Fax: +86-21-5027-3299

##### **RICOH ELECTRONIC DEVICES CO., LTD.**

**Taipei office**  
Room 109, 10F-1, No.51, Hengyang Rd., Taipei City, Taiwan (R.O.C.)  
Phone: +886-2-2313-1621/1622 Fax: +886-2-2313-1623

# Mouser Electronics

Authorized Distributor

Click to View Pricing, Inventory, Delivery & Lifecycle Information:

## Ricoh Electronics:

[RN5RF46AA-TR-FE](#) [RN5RF50AA-TR-FE](#) [RN5RF33BA-TR-FE](#) [RN5RF50BA-TR-FE](#) [RN5RF23AA-TR-FE](#)  
[RN5RF43AA-TR-FE](#) [RN5RF40BA-TR-FE](#)

## Данный компонент на территории Российской Федерации

### Вы можете приобрести в компании MosChip.

Для оперативного оформления запроса Вам необходимо перейти по данной ссылке:

<http://moschip.ru/get-element>

Вы можете разместить у нас заказ для любого Вашего проекта, будь то серийное производство или разработка единичного прибора.

В нашем ассортименте представлены ведущие мировые производители активных и пассивных электронных компонентов.

Нашей специализацией является поставка электронной компонентной базы двойного назначения, продукции таких производителей как XILINX, Intel (ex.ALTERA), Vicor, Microchip, Texas Instruments, Analog Devices, Mini-Circuits, Amphenol, Glenair.

Сотрудничество с глобальными дистрибьюторами электронных компонентов, предоставляет возможность заказывать и получать с международных складов практически любой перечень компонентов в оптимальные для Вас сроки.

На всех этапах разработки и производства наши партнеры могут получить квалифицированную поддержку опытных инженеров.

Система менеджмента качества компании отвечает требованиям в соответствии с ГОСТ Р ИСО 9001, ГОСТ РВ 0015-002 и ЭС РД 009

### Офис по работе с юридическими лицами:

105318, г.Москва, ул.Щербаковская д.3, офис 1107, 1118, ДЦ «Щербаковский»

Телефон: +7 495 668-12-70 (многоканальный)

Факс: +7 495 668-12-70 (доб.304)

E-mail: [info@moschip.ru](mailto:info@moschip.ru)

Skype отдела продаж:

moschip.ru

moschip.ru\_4

moschip.ru\_6

moschip.ru\_9