

## 24/48V Fan Driver/Controller With High-Side Drive

### Features

- ▶ High-side drive allows use of tachs
- ▶ Direct interface to host controller
- ▶ Noise-immune linear speed control
- ▶ 4-bit digital speed control
- ▶ Operates from single +24/+48V supply
- ▶ Programmable PWM frequency
- ▶ Undervoltage lockout

### Applications

- ▶ 24/48V chassis cooling tray
- ▶ Servers
- ▶ SAN equipment
- ▶ Cellular and fix wireless systems
- ▶ 24/48V PBX system
- ▶ Base stations

### General Description

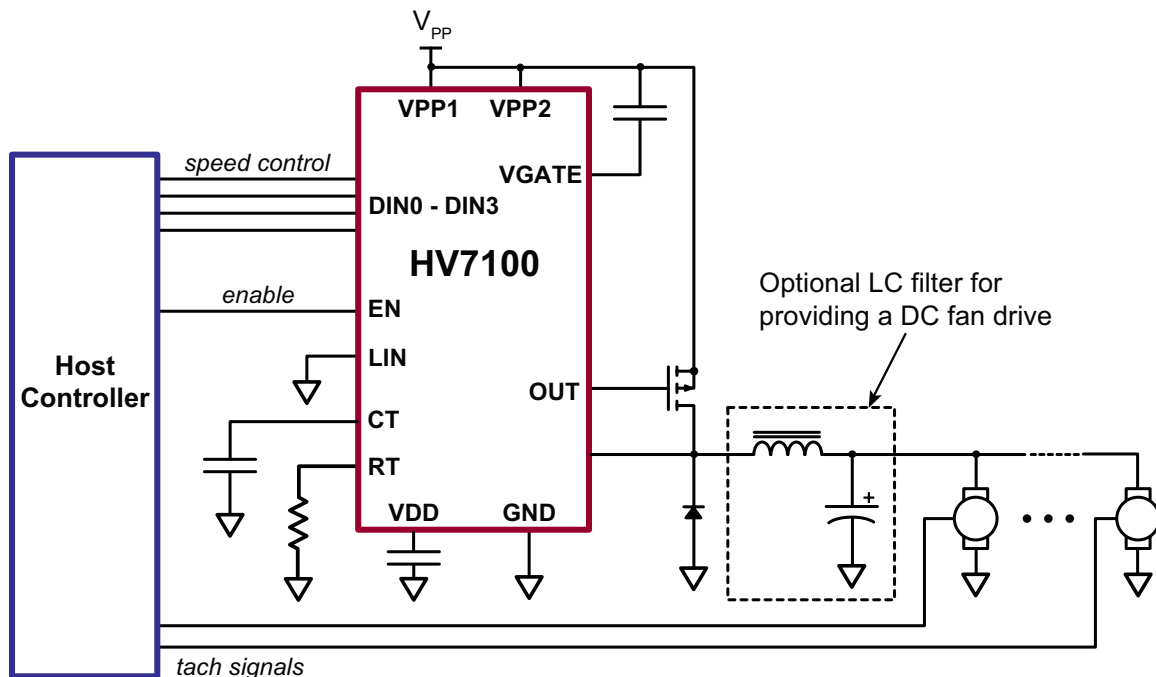
The HV7100 is an integrated PWM speed controller for driving 24 and 48VDC fans. The features and benefits provided by the HV7100 make driving fans simple and low cost. The HV7100 drives a high side external P-channel FET, allowing the use of fans having a ground-based tachometer signal. It has a wide input voltage range of +16 to +90V, ideal for +24 or +48V systems. No low voltage supply is needed.

A 4-bit digital control input provides direct interfacing with a micro controller or system processor to control the fan speed. It can also be used as a stand-alone fan controller, via a thermistor connection to the Linear Control pin.

The HV7100 has a wide PWM frequency range. When driving fans directly with a PWM supply voltage, frequency may be set low, around 50 - 120Hz. When used to drive fans requiring a DC supply, an LC filter may be employed. In this case, PWM frequency may be as high as 100kHz, reducing component sizes in the filter.

The HV7100 is an ideal device to incorporate in fan trays and fan control modules, as it reduces circuit complexity and minimizes parts count and overall cost for thermal management.

### Typical Application Circuit



## Ordering Information

Part Number	Package	Packing
HV7100NG-G	14-Lead SOIC (NB)	53/Tube
HV7100NG-G M903	14-Lead SOIC (NB)	2500/Reel

-G denotes a lead (Pb)-free / RoHS compliant package

## Absolute Maximum Ratings

Parameter	Value
$V_{PP}$ to GND	-0.5V to 90V
$V_{DD}$ to GND	-0.3V to +6V
Input voltage, LIN	-0.3V to ( $V_{DD} + 0.3V$ )
Input voltage, $D_{IN0} - D_{IN2}$	-0.3V to ( $V_{DD} + 0.3V$ )
Gate to $V_{PP}$	+0.5V to -15V
Continuous power dissipation ( $T_A = +25^\circ C$ )	750mW
Operating temperature range	-40°C to +85°C
Storage temperature range	-65°C to +150°C

Stresses beyond those listed under "Absolute Maximum Ratings" may cause permanent damage to the device. These are stress ratings only, and functional operation of the device at these or any other conditions beyond those indicated in the operational sections of the specifications is not implied. Exposure to absolute maximum rating conditions for extended periods may affect device reliability.

## Recommended Operating Conditions

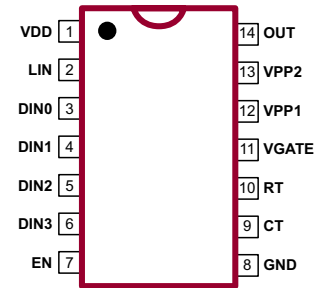
Sym	Parameter	Min	Typ	Max	Units
$V_{DD}$	Externally applied $V_{DD}$	3.7	-	5.5	V
$V_{PP}$	High voltage supply	16	-	75	V
$f_{OSC}$	Oscillator frequency	50	-	100	kHz
$R_T$	Oscillator timing resistor	12	-	500	k $\Omega$

## Electrical Characteristics

(Operating specifications are at  $T_A = 25^\circ C$ ,  $V_{PP} = 16$  to 75V,  $V_{DD} = 3.0$  to 5.5V, unless otherwise noted)

Sym	Parameter	Min	Typ	Max	Units	Conditions
<b>Supplies</b>						
$I_{PP}$	$V_{PP}$ supply current	-	-	4.0	mA	No ext load on $V_{DD}$ , $f_{OSC} = 50kHz$ , 250pF on OUT pin
$UV_{PP(ON)}$	$V_{PP}$ UVLO turn-on threshold	11.7	13.0	14.3	V	---
$UV_{PP(HYS)}$	$V_{PP}$ UVLO hysteresis	1.5	2.0	2.5	V	---
$V_{DD}$	$V_{DD}$ internal regulation	3.0	3.3	3.6	V	$V_{PP} = 16V$ to 75V

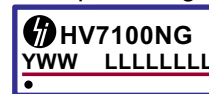
## Pin Configuration



14-Lead SOIC  
(top view)

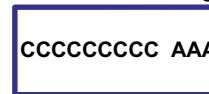
## Product Marking

Top Marking



Y = Last Digit of Year Sealed  
 WW = Week Sealed  
 L = Lot Number  
 C = Country of Origin\*  
 A = Assembler ID\*

Bottom Marking



— = "Green" Packaging

\*May be part of top marking

Package may or may not include the following marks: Si or

14-Lead SOIC

## Typical Thermal Resistance

Package	$\theta_{ja}$
44-Lead PLCC	37°C/W

**Electrical Characteristics (cont.)**

(Operating specifications are at  $T_A = 25^\circ\text{C}$ ,  $V_{PP} = 16$  to  $75\text{V}$ ,  $V_{DD} = 3.0$  to  $5.5\text{V}$ , unless otherwise noted)

Sym	Parameter	Min	Typ	Max	Units	Conditions
$I_{DD(INT)}$	$V_{DD}$ supply current	-	-	2.0	mA	External applied $V_{DD} = 5.0\text{V}$ , $f_{OSC} = 50\text{kHz}$
$I_{DD(EXT)}$	Current available from internal $V_{DD}$ regulator for external circuitry	-	-	2.0	mA	$\Delta V_{DD} < 200\text{mV}$

**Gate Driver**

$V_{GATE}$	Gate regulator output voltage	-10.2	-12	-13.8	V	Referenced to $V_{PP}$
$V_{OUTH}$	Gate drive output voltage high	-10.2	-12	-13.8	V	Referenced to $V_{PP}$
$V_{OUTL}$	Gate drive output voltage low	0	-	-0.8	V	Test current = 15mA
$R_{SRC}$	Pull-up resistance	-	-	25	$\Omega$	Test Current = 15mA
$R_{SINK}$	Pull-down resistance	-	-	25	$\Omega$	Test Current = -15mA
$t_{RISE}$	Rise time	-	-	100	ns	$C_{LOAD} = 250\text{pF}$
$t_{FALL}$	Fall time	-	-	100	ns	$C_{LOAD} = 250\text{pF}$

**Oscillator**

$f_{OSC}$	Oscillator frequency	51	60	69	Hz	$C_T = 100\text{nF}$ , $R_T = 43.0\text{k}\Omega$
$f_{OSC}$	Oscillator frequency	34	40	46	kHz	$C_T = 330\text{pF}$ , $R_T = 19.5\text{k}\Omega$

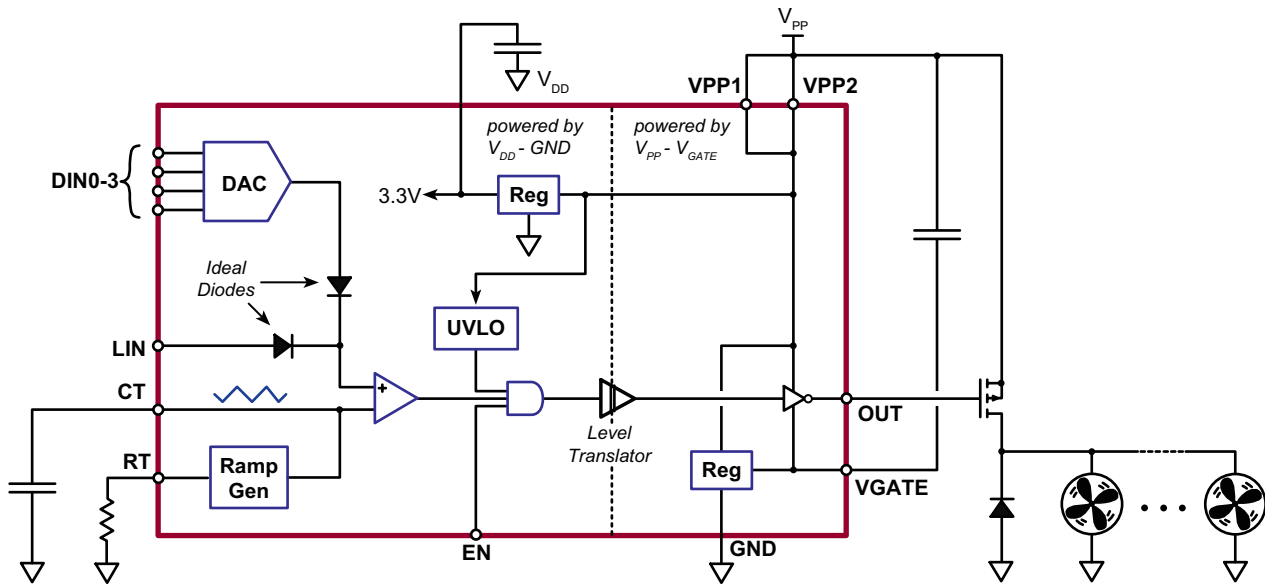
**Logic and Linear Inputs**

$V_{DINO-3(hi)}$ , $V_{EN(hi)}$	Logic input voltage, high	$0.7 \times V_{DD}$	-	-	V	---
$V_{DINO-3(lo)}$ , $V_{EN(lo)}$	Logic input voltage, low	-	-	$0.3 \times V_{DD}$	V	---
$T_{EN(ON)}$	Enable to gate turn on delay	0	-	150	ns	$LIN = V_{DD}$ , $D_{IN0} - D_{IN3} = 1111$
$T_{EN(OFF)}$	Enable to gate turn off delay	0	-	150	ns	$LIN = V_{DD}$ , $D_{IN0} - D_{IN3} = 1111$
$I_{DINO-3}$	Digital input pull down resistance	200	330	460	k $\Omega$	---
$I_{LIN}$	Linear control input current	-1.0	-	1.0	$\mu\text{A}$	-40C to +85C

**Duty Cycle**

D	Duty cycle	16	20	24	%	$V_{LIN} = 0.9\text{V}$ , $D_{IN} = 0000$
D	Duty cycle	75	80	85	%	$V_{LIN} = 2.1\text{V}$ , $D_{IN} = 0000$
D	Duty cycle	16	20	24	%	$V_{LIN} = 0\text{V}$ , $D_{IN} = 0011$
D	Duty cycle	75	80	85	%	$V_{LIN} = 0\text{V}$ , $D_{IN} = 1100$
D	Duty cycle	-	-	0	%	$V_{LIN} = 0\text{V}$ , $D_{IN} = 0000$
D	Duty cycle	100	-	-	%	$V_{LIN} = 0\text{V}$ , $D_{IN} = 1111$

## Functional Block Diagram



## Functional Description

The HV7100 requires a single +16 to +75V supply to bias its internal circuitry. It internally generates 3.3V for  $V_{DD}$ , and -12V relative to  $V_{PP}$  for driving the external P-channel MOSFET. If an external  $V_{DD}$  is applied (greater than 3.6V but less than 5.5V), the internal regulator will shut off. The HV7100 drives an external P-channel FET to drive the 24V/48V DC fan.

An external diode, connected across the fan terminals, is required to clamp the voltage across the fan to a diode drop during the off period.

### Pulse Width Modulator

The PWM circuit compares the internal triangle wave oscillator (0.5 – 2.5V pk-pk) with the linear control voltage or the DAC output. Its output is a square-wave PWM signal with duty cycle ranging from 0% to 100%.

When an external PWM signal is applied to the Enable input and the internal PWM generator is not needed,  $R_T$  and LIN should be connected to  $V_{DD}$  and  $C_T$  connected to GND.

### Oscillator

A capacitor connected between the  $C_T$  and GND sets the frequency of the internal triangular frequency oscillator in conjunction with the timing resistor  $R_T$ .  $R_T$  sets the charge/discharge current into and out of  $C_T$ .

The frequency is determined by the following equation:

$$f = \frac{(0.258)}{(R_T \times C_T)}$$

### P-Channel Gate Driver

The PWM output of the comparator circuit is level translated and is the input to the gate drive circuit. The gate drive circuit turns an external P-channel FET on and off by applying -12V and 0V (reference to  $V_{PP}$ ), respectively, between its gate and source. The -12V supply to the gate drive circuit is generated internally from  $V_{PP}$ .

### Enable

The EN pin directly controls the gate drive circuit. Pulling this pin to logic ground applies 0V to the external P-channel gate to turn it off. Applying a logic HIGH signal or pulling the voltage to  $V_{DD}$  resumes the switching cycle of the PWM signal.

### Speed Control

The fan speed can be controlled in three ways:

**Linear Control** - Applying a DC voltage between 0.5V to 2.5V to the LIN pin varies the duty cycle of the voltage driving the fans from 0% to 100% according to:

$$D = \frac{V_{LIN}}{2} - 0.25$$

Linear control voltage below 0.5V will turn off the fan completely (0% duty cycle), while voltage greater than 2.5V will fully turn the fan on (100% duty cycle).

When using linear control mode, DIN0 – DIN3 should be set to logic 0. If desired, DIN may be used to set a lower limit on the fan speed. This input is immune to moderate noise on the control signal.

**Digital Control** - Applying logic signals to the DIN0 – DIN3 pins sets the duty cycle of the output. 0000 = 0% and 1111 = 100%. See Table 1 for details. In digital control mode, LIN should be set to 0V. DIN0 – DIN3 pins have internal pull downs so that the DAC output will default to 0V when it is not used.

**External PWM** - An external PWM signal can be applied to the Enable pin to directly control the duty cycle. A logic 0 turns the transistor off, and a logic 1 turns it on. When using this control method, connect DIN0 – DIN3, LIN, and  $R_T$  to  $V_{DD}$ . Connect  $C_T$  to GND.

The DAC output and the Linear Control signals are OR'd together. Whichever has the higher value dominates. This allows an analog temperature sensing circuit to override the digital inputs (DIN0 – DIN3) for added system protection.

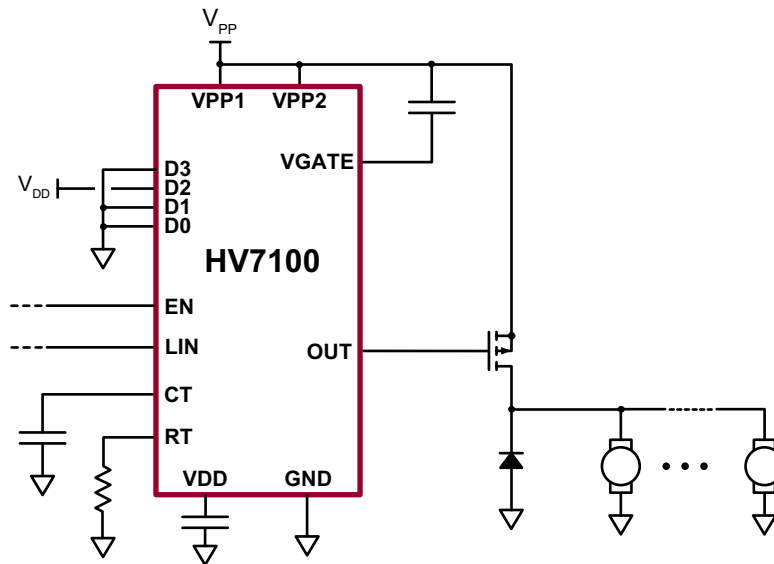
The following table illustrates the correlation between the digital inputs and LIN voltage to the PWM duty cycle.

**Table 1. DAC signal and LIN voltage to Duty Cycle Programming.**

DIN3	DIN2	DIN1	DIN0	LIN	Gate Drive Duty Cycle
0	0	0	0	0.500V	0%*
0	0	0	1	0.633V	6.7%
0	0	1	0	0.766V	13.3%
0	0	1	1	0.900V	20.0%
0	1	0	0	1.033V	26.7%
0	1	0	1	1.167V	33.3%
0	1	1	0	1.300V	40.0%
0	1	1	1	1.433V	46.7%
1	0	0	0	1.567V	53.3%
1	0	0	1	1.700V	60.0%
1	0	1	0	1.833V	66.7%
1	0	1	1	1.967V	73.3%
1	1	0	0	2.100V	80.0%
1	1	0	1	2.233V	86.7%
1	1	1	0	2.367V	93.3%
1	1	1	1	2.500V	100%*

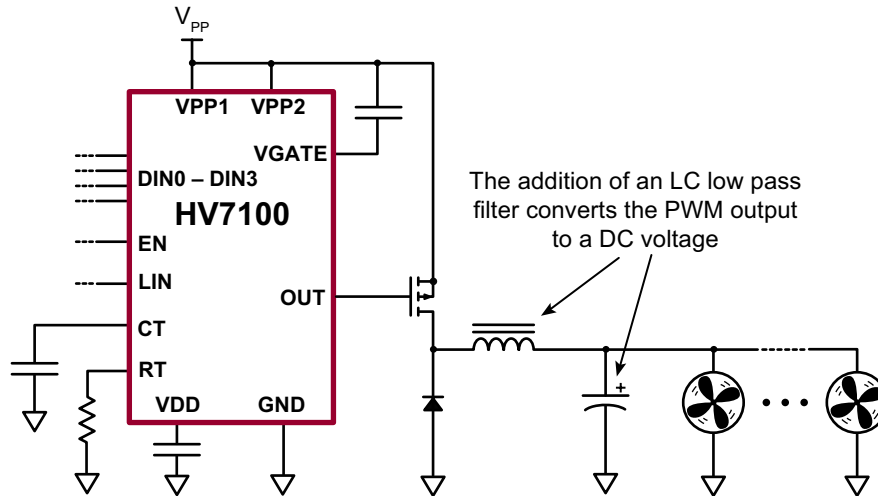
\* Guaranteed 0% @ 0000 and 100% @ 1111

## PWM Fan Drive



When using direct PWM drive to the fans, it is best to set a low PWM frequency, in the range of 50Hz -120Hz.

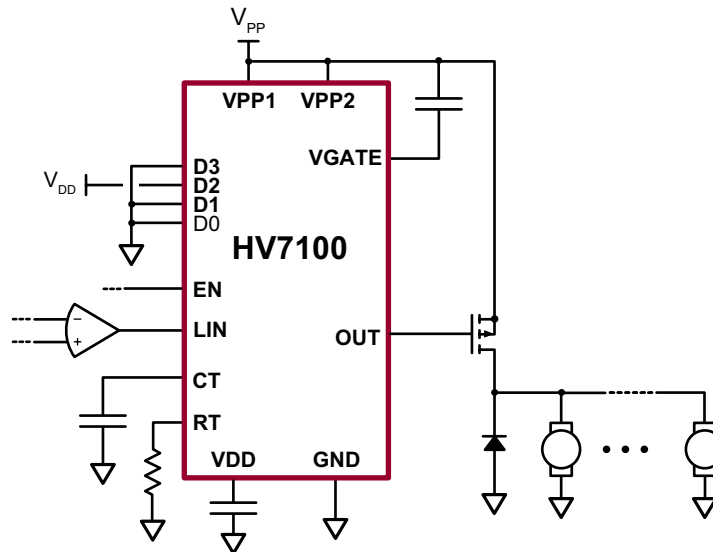
## DC Fan Drive



The HV7100 controls the fans with a PWM supply voltage. However, some fans require a steady DC voltage for proper operation. In order for these fans to function properly, an LC low pass filter should be added to cancel the PWM output to a steady DC voltage.

The LC filter also provides another advantage. Some fans draw large spikes of current during start-up and/or during normal operation. Without the LC filter, these current spikes would be drawn directly from the +24 or +48V supply, causing potential conducted EMI problems. The LC filter prevents these spikes from occurring and/or reaching the +24 or +48V supply.

## Setting a Lower Speed Limit



When using the linear control input, the digital control inputs may be used to set a lower limit on the duty cycle. This is based on the fact that the higher control setting, linear

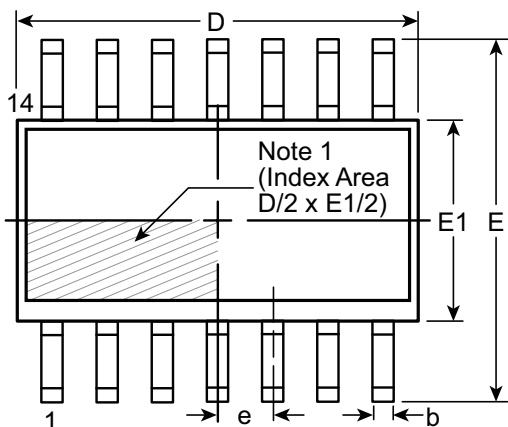
or digital, dominates. In the example above, duty cycle is prevented from falling below 25% even if the linear control signal goes to 0V.

## Pin Description

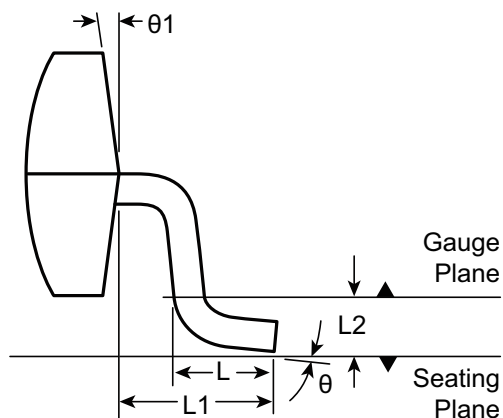
Pin #	Function	Description
1	VDD	Output of an internal linear voltage regulator, which in turn is powered by $V_{PP}$ . It provides power to the internal low-side (ground referenced) circuitry. An external voltage may be applied to this pin, provided it is higher than 3.6V but less than 5.5V. Bypass this pin with a 100nF ceramic capacitor to ground.
2	LIN	A DC voltage ranging from 0.5 to 2.5V sets the duty cycle of the gate output from 0% to 100%. This input is immune to moderate noise on the control signal.
3	DIN0	Applying 0000 to 1111 to these logic input pins sets the duty cycle of the gate output from 0 to 100%. A 1-bit increment is equal to 6.67% increment in duty cycle. See Table 1 on page 5.
4	DIN1	
5	DIN2	
6	DIN3	
7	EN	Enable input. A logic high applied to this input enables the output.
8	GND	Ground return for all the internal circuitry. This pin must be electrically connected to the ground of the power train and logic return.
9	CT	In conjunction with RT, a capacitor from this pin to ground sets PWM frequency. A triangle wave appears on this pin, with an amplitude of 0.5 - 2.5V and at the PWM frequency.
10	RT	In conjunction with CT, a resistor from this pin to ground sets PWM frequency.
11	VGATE	This is the output pin of the internal linear regulator that biases the gate drive circuit. Bypass with 100nF ceramic capacitor to $V_{PP}$ .
12	VPP1	Supply voltage pins. Both must be connected to the supply voltage (+24V/+48V). Connect together as close as possible to the IC. Bypass locally with a ceramic capacitor to ground.
13	VPP2	
14	OUT	This pin is the output gate driver for an external P-channel power MOSFET.

# 14-Lead SOIC (Narrow Body) Package Outline (NG)

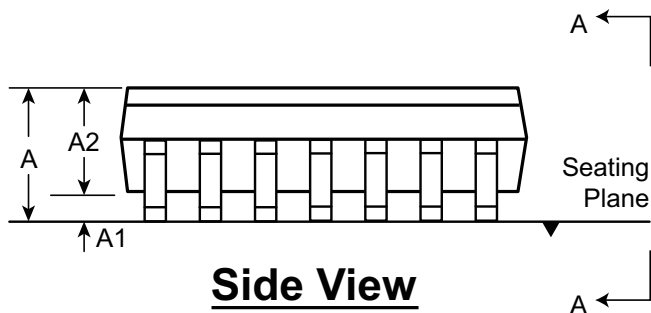
8.65x3.90mm body, 1.75mm height (max), 1.27mm pitch



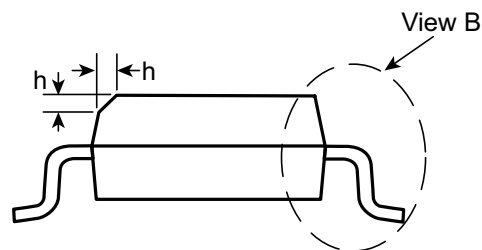
**Top View**



**View B**



**Side View**



**View A-A**

**Note:**  
 1. This chamfer feature is optional. If it is not present, then a Pin 1 identifier must be located in the index area indicated. The Pin 1 identifier can be: a molded mark/identifier; an embedded metal marker; or a printed indicator.

Symbol	A	A1	A2	b	D	E	E1	e	h	L	L1	L2	θ	θ1	
Dimension (mm)	MIN	1.35*	0.10	1.25	0.31	8.55*	5.80*	3.80*	1.27 BSC	0.25	0.40	1.04 REF	0.25	8°	15°
	NOM	-	-	-	-	8.65	6.00	3.90		-	-		0.25		
	MAX	1.75	0.25	1.65*	0.51	8.75*	6.20*	4.00*		0.50	1.27				

JEDEC Registration MS-012, Variation AB, Issue E, Sept. 2005.

\* This dimension is not specified in the JEDEC drawing.

Drawings are not to scale.

Supertex Doc. #: DSPD-14SOICNG, Version F041309.

(The package drawings in this data sheet may not reflect the most current specifications. For the latest package outline information go to <http://www.supertex.com/packaging.html>.)

Supertex inc. does not recommend the use of its products in life support applications, and will not knowingly sell them for use in such applications unless it receives an adequate "product liability indemnification insurance agreement." Supertex inc. does not assume responsibility for use of devices described, and limits its liability to the replacement of the devices determined defective due to workmanship. No responsibility is assumed for possible omissions and inaccuracies. Circuitry and specifications are subject to change without notice. For the latest product specifications refer to the Supertex inc. (website: <http://www.supertex.com>)



## Данный компонент на территории Российской Федерации

### Вы можете приобрести в компании MosChip.

Для оперативного оформления запроса Вам необходимо перейти по данной ссылке:

<http://moschip.ru/get-element>

Вы можете разместить у нас заказ для любого Вашего проекта, будь то серийное производство или разработка единичного прибора.

В нашем ассортименте представлены ведущие мировые производители активных и пассивных электронных компонентов.

Нашей специализацией является поставка электронной компонентной базы двойного назначения, продукции таких производителей как XILINX, Intel (ex.ALTERA), Vicor, Microchip, Texas Instruments, Analog Devices, Mini-Circuits, Amphenol, Glenair.

Сотрудничество с глобальными дистрибьюторами электронных компонентов, предоставляет возможность заказывать и получать с международных складов практически любой перечень компонентов в оптимальные для Вас сроки.

На всех этапах разработки и производства наши партнеры могут получить квалифицированную поддержку опытных инженеров.

Система менеджмента качества компании отвечает требованиям в соответствии с ГОСТ Р ИСО 9001, ГОСТ РВ 0015-002 и ЭС РД 009

### Офис по работе с юридическими лицами:

105318, г.Москва, ул.Щербаковская д.3, офис 1107, 1118, ДЦ «Щербаковский»

Телефон: +7 495 668-12-70 (многоканальный)

Факс: +7 495 668-12-70 (доб.304)

E-mail: [info@moschip.ru](mailto:info@moschip.ru)

Skype отдела продаж:

moschip.ru

moschip.ru\_4

moschip.ru\_6

moschip.ru\_9