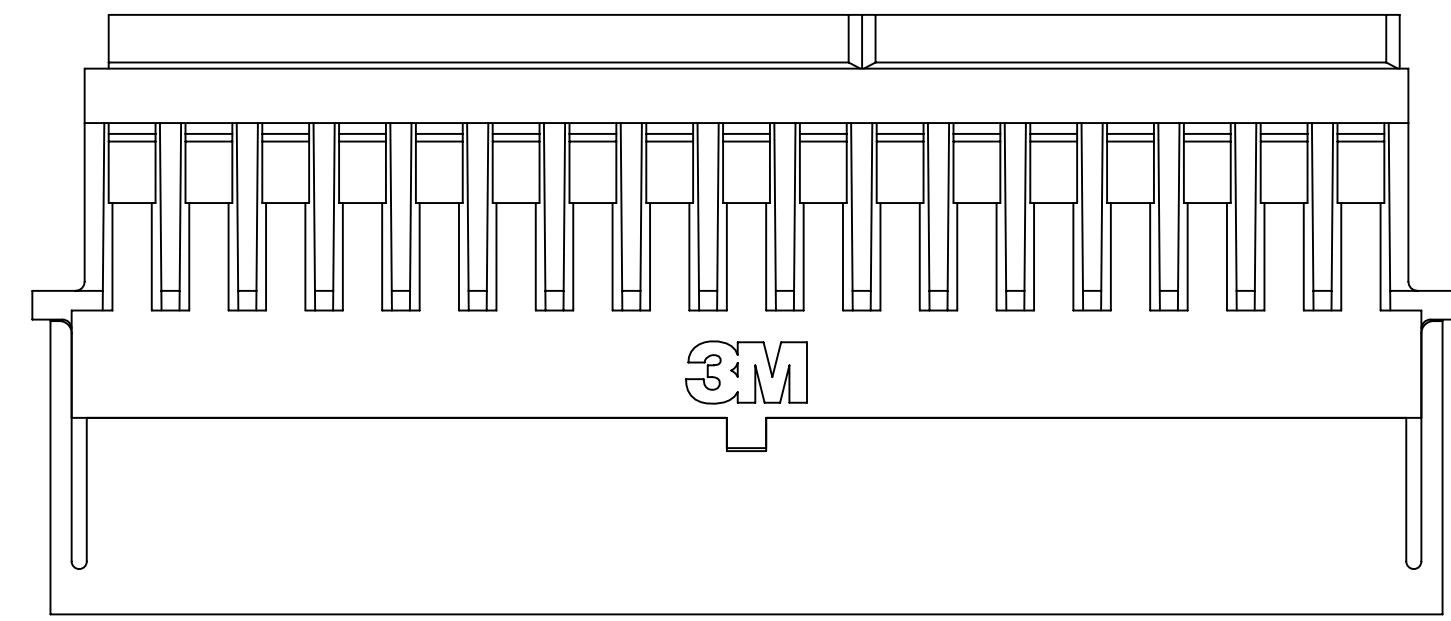
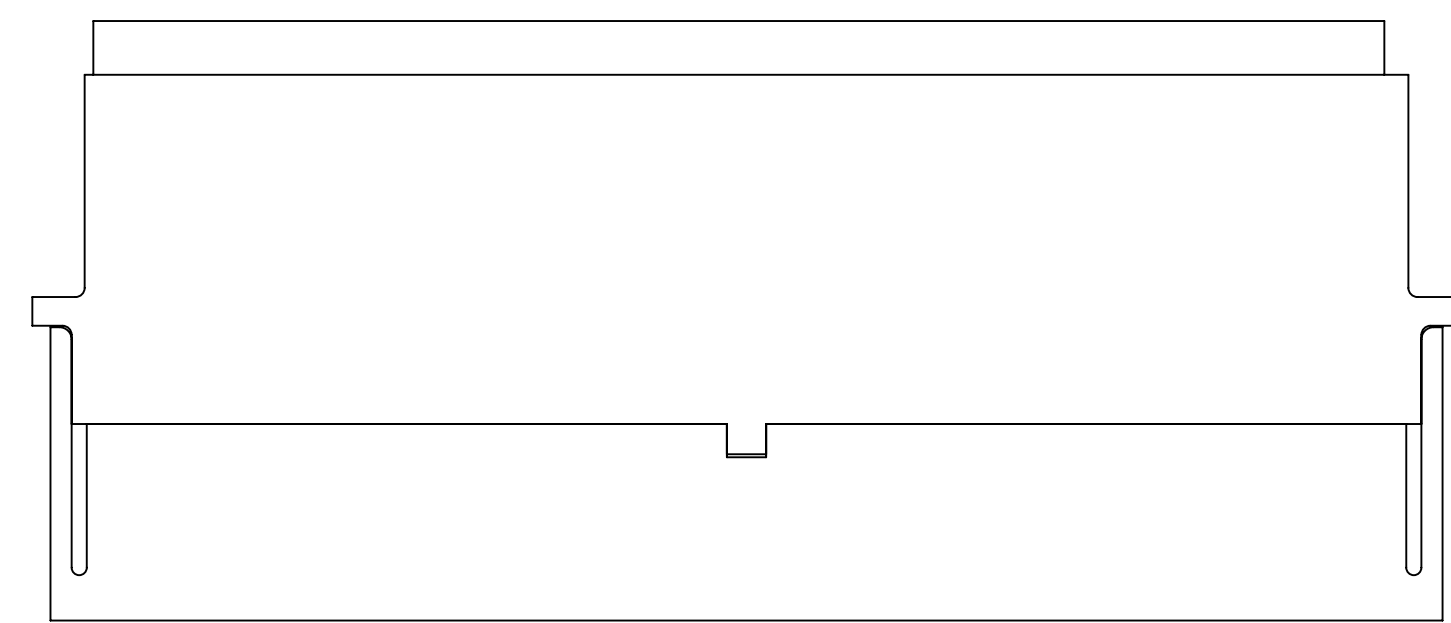


# 3M™ SHIELDED CONTROLLED IMPEDANCE (SCI)

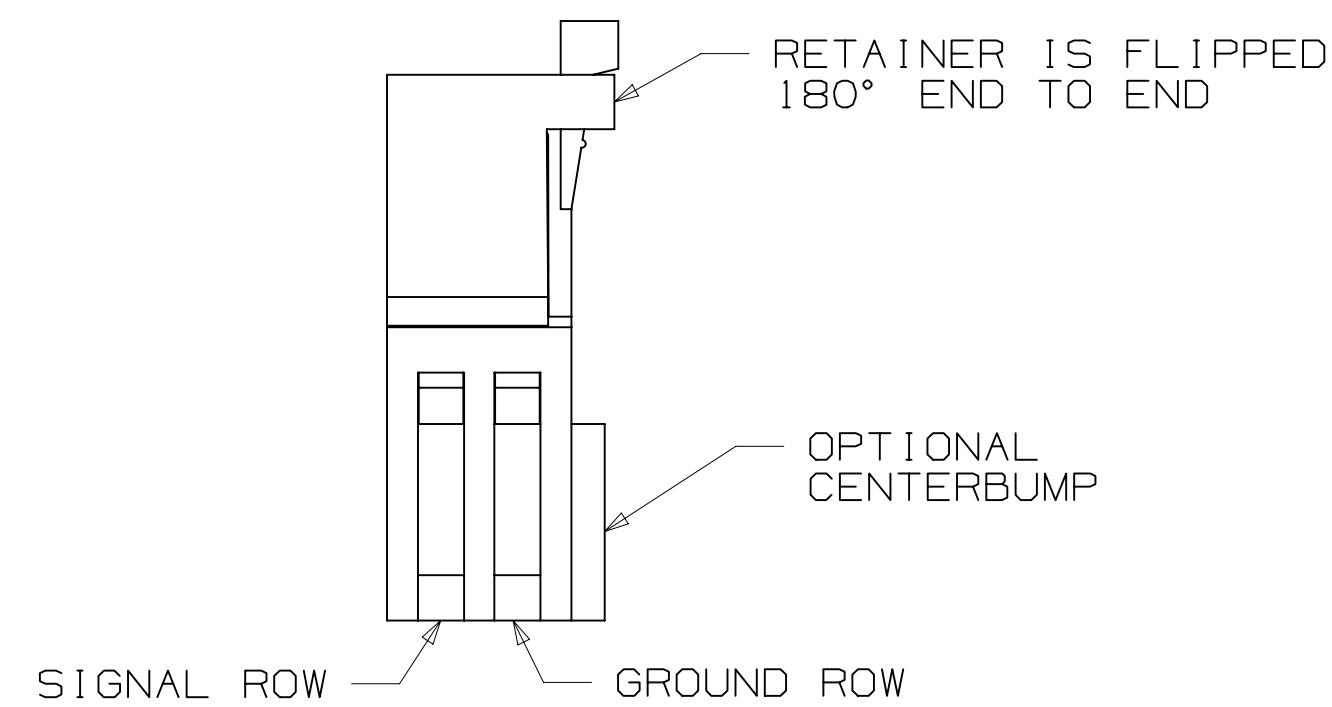
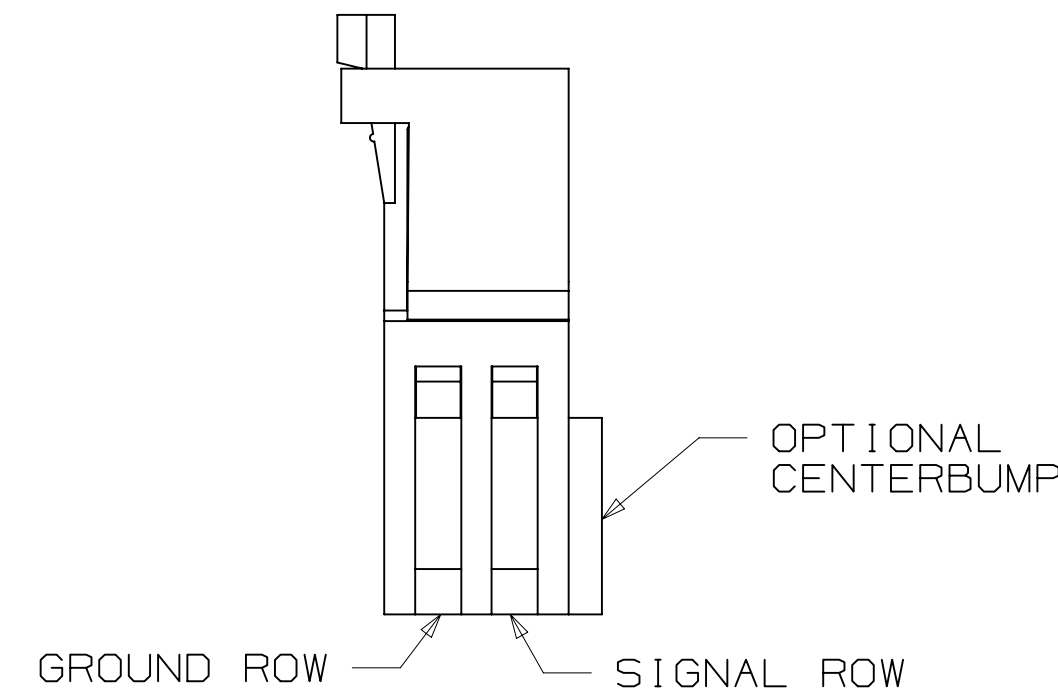
.100" ASSEMBLY HARDWARE



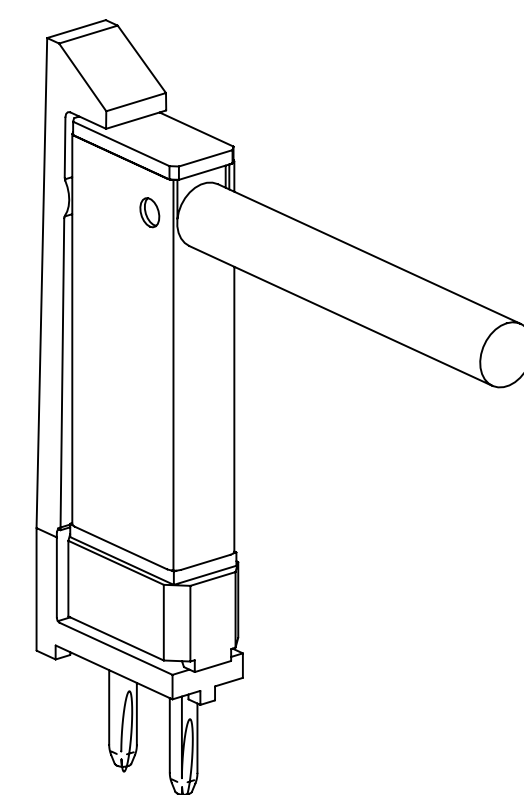
98XX-PSMO  
NORMAL "MO" RETENTION STYLE



98XX-PSMR  
REVERSE "MR" RETENTION STYLE



NOTE:  
1) PIN STRIP LATCH IS FOR USE WITH  
.100 SCI, RIGHT ANGLE CONNECTOR  
TYPE 22 ONLY.  
(SEE TECH SHEET TS-0803)



## 2 ROW CARRIER HOUSING

- \* CARRIERS AVAILABLE IN 3M .100" X .100" (2.54MM X 2.54MM) SOCKET.
- \* COMPATIBLE WITH ALL 3M .100" X .100" (2.54MM X 2.54MM) HEADERS.
- \* AVAILABLE IN SHORT OR LONG LATCH STYLES. CHECK STYLE FOR MATCH.

## 3 X 7 CARRIER HOUSING

- \* INTEGRAL LOCKING FEATURE.
- \* INCLUDES TWO RETENTION CLIPS.

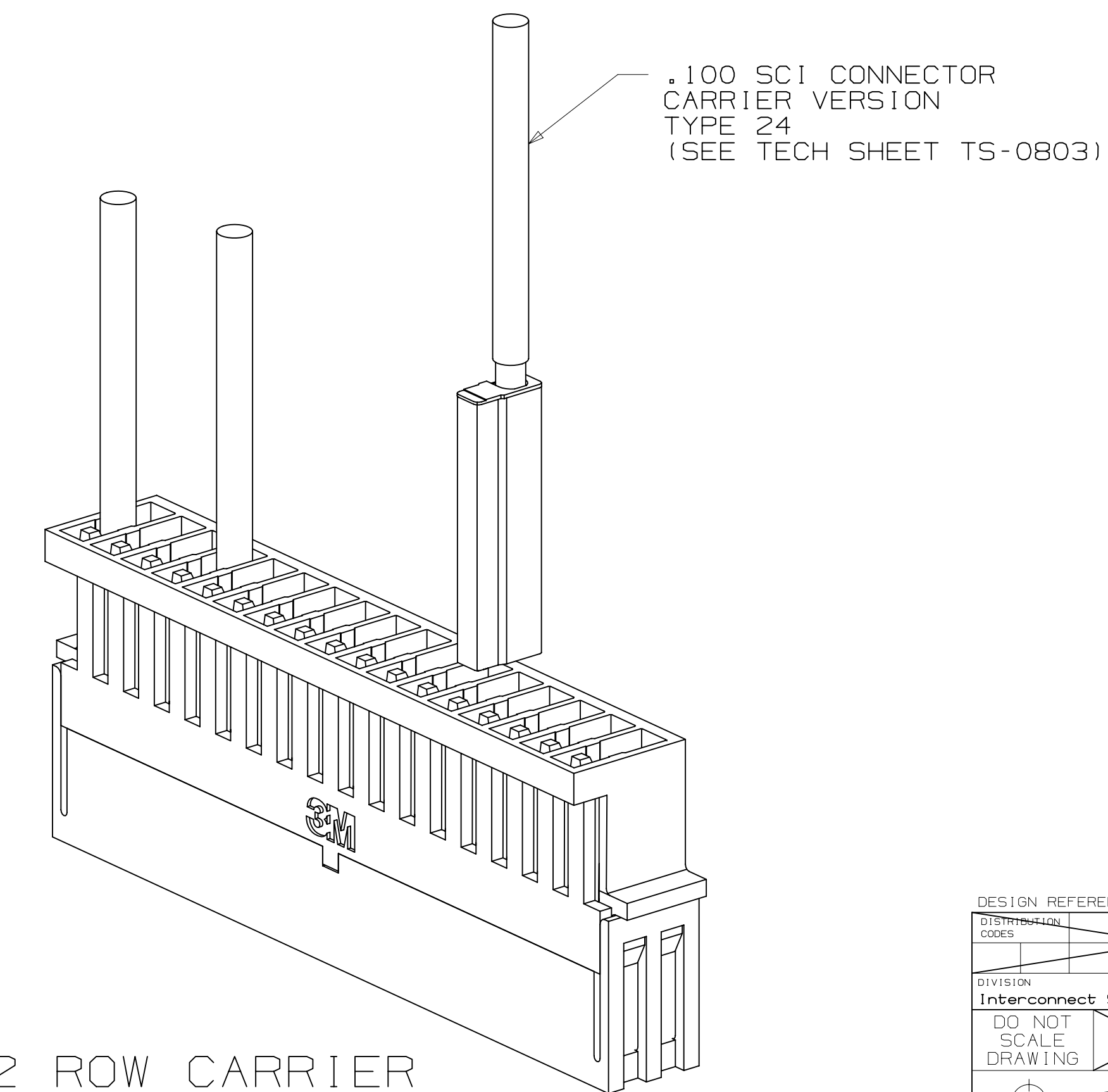
## PIN STRIP LATCH

- \* AVAILABLE FOR THE RIGHT ANGLE SCI CONNECTOR.
- \* RoHS COMPLIANT

## 2 PHYSICAL :

INSULATION MATERIAL:

- 2 ROW CARRIER: POLYCARBONATE
- 3 X 7 CARRIER: GLASS REINFORCED POLYESTER
- COLOR: BLACK
- FLAMMABILITY: UL 94V-0
- MARKINGS: 3M LOGO
- CONTACTS: COPPER ALLOY



NOTES

- REGULATORY INFORMATION: ROHS COMPLIANT. SEE THE REGULATORY INFORMATION APPENDIX (RIA) IN THE "ROHS COMPLIANCE" SECTION OF WWW.3MCONNECTORS.COM FOR COMPLIANCE INFORMATION.
- IN THE EVENT OF CONFLICT BETWEEN THIS DATA AND THAT CONTAINED IN THE PRODUCT SPECIFICATION, THE PRODUCT SPECIFICATION TAKES PRECEDENT.

3M ELECTRONIC SOLUTIONS DIVISION  
INTERCONNECT SOLUTIONS  
<http://www.3mconnectors.com>

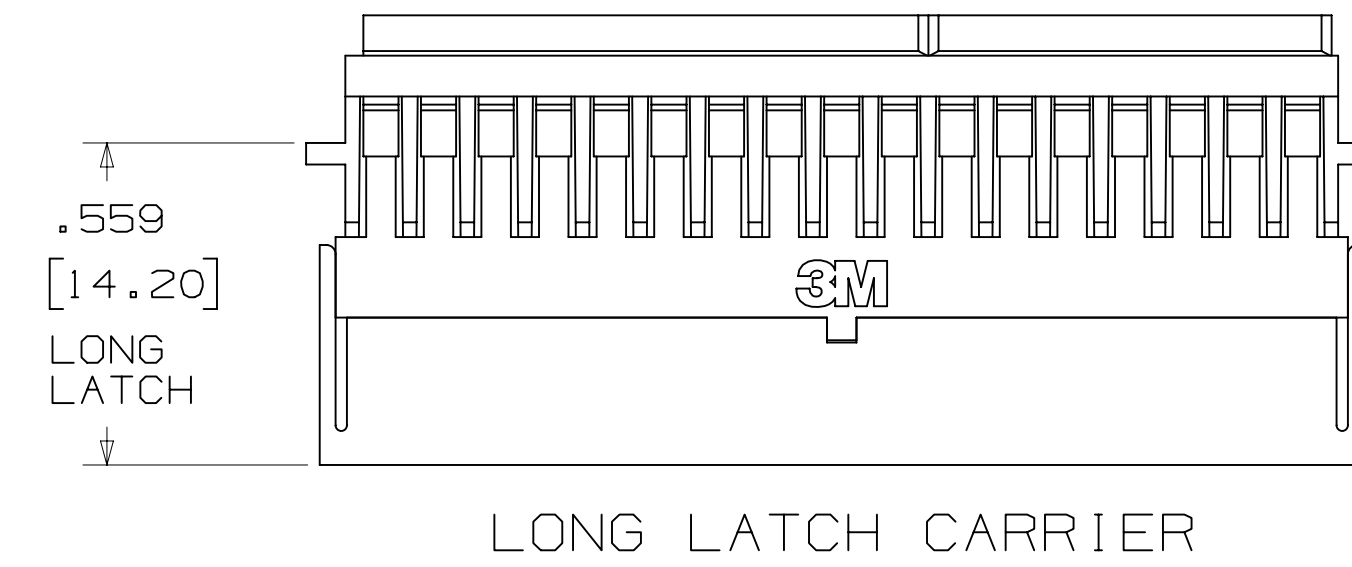
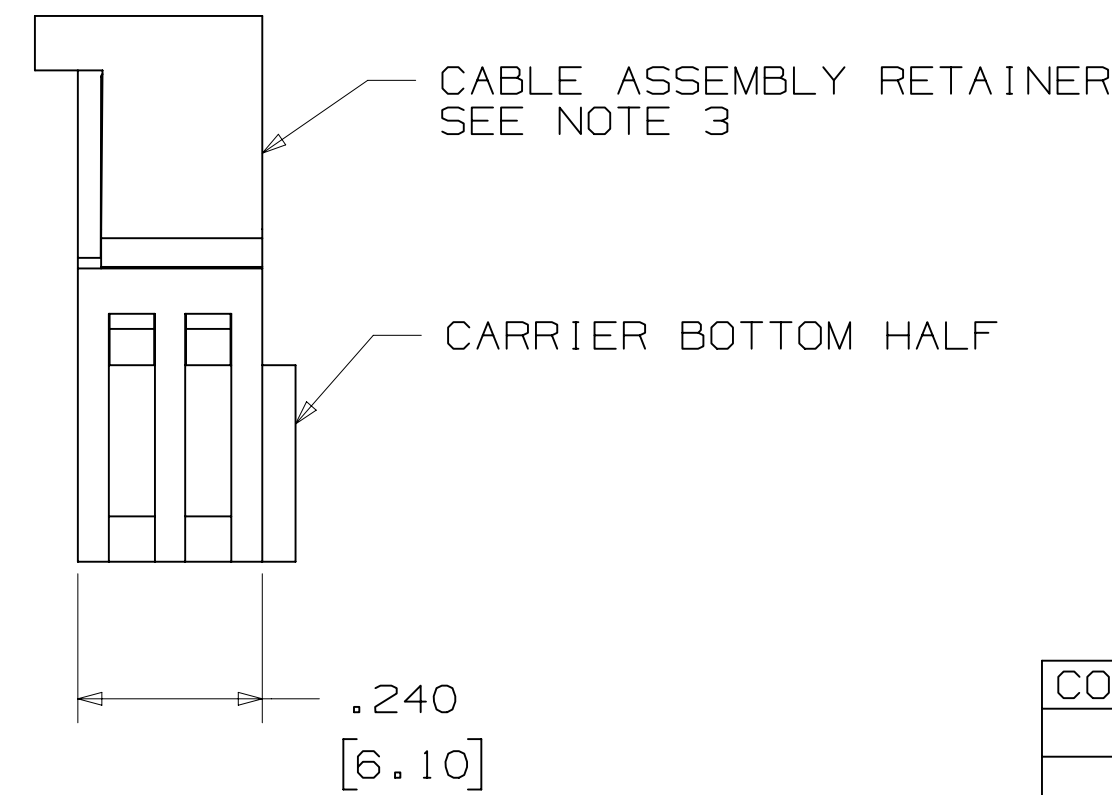
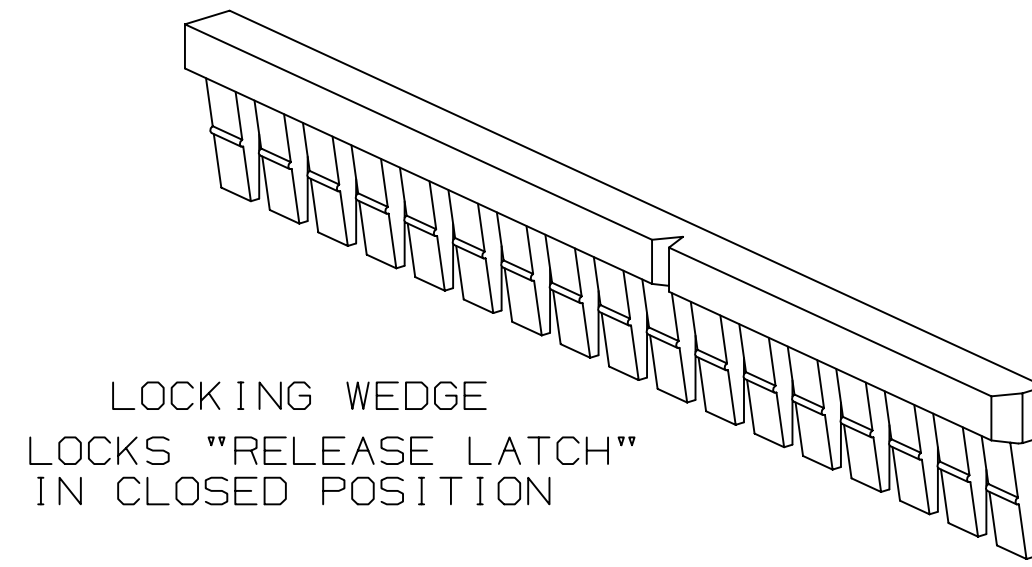
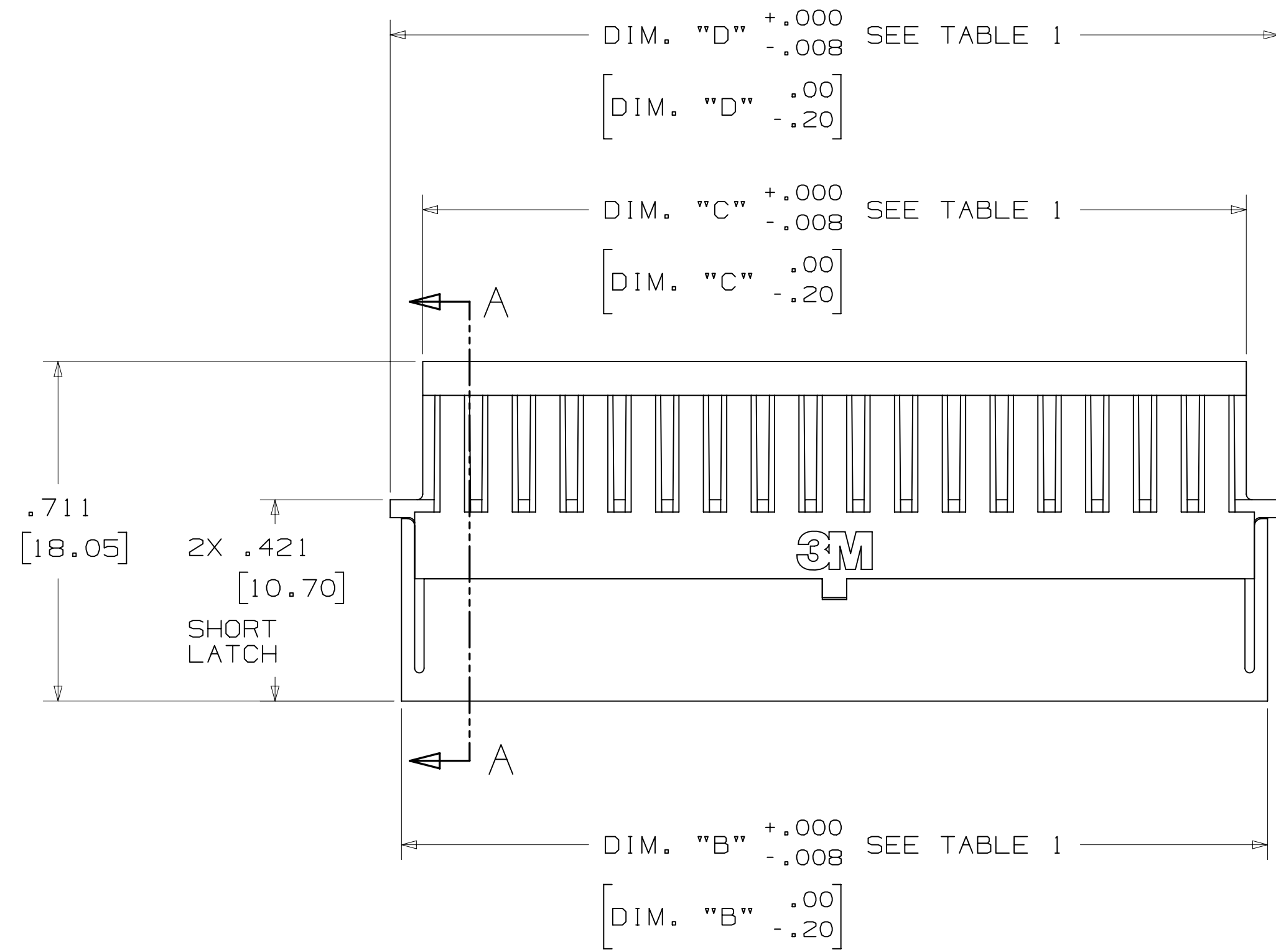
3M IS A TRADEMARK OF 3M COMPANY.  
FOR TECHNICAL, SALES OR ORDERING  
INFORMATION CALL 800-225-5373

DESIGN REFERENCE	NEXT ASSEMBLY	REV	ECO	ISSUE DATE AND DESCRIPTION	DRFT	CHKD
				JAN 03, 2013	JNC	RS
DIVISION		DIVISION CODE		DATE		
Interconnect Solutions		ISD		JAN 03, 2013		
DO NOT SCALE DRAWING		TOLERANCES EXCEPT AS NOTED		DATE		
THIRD ANGLE PROJECTION		INCHES		DATE		
INTERPRET PER ASME Y14.5 - 1994		MILLIMETERS		DATE		
MAX SURFACE ROUGHNESS		ANGLES		DATE		
MARKED ONLY				DATE		
CAGE NUMBER		DRAWING NO.		REV.		
D78-5100-0802-8		B		1 OF 3		

78-5100-0802-8  
DRAWING NUMBER

# 3M™ SHIELDED CONTROLLED IMPEDANCE (SCI)

.100" ASSEMBLY HARDWARE

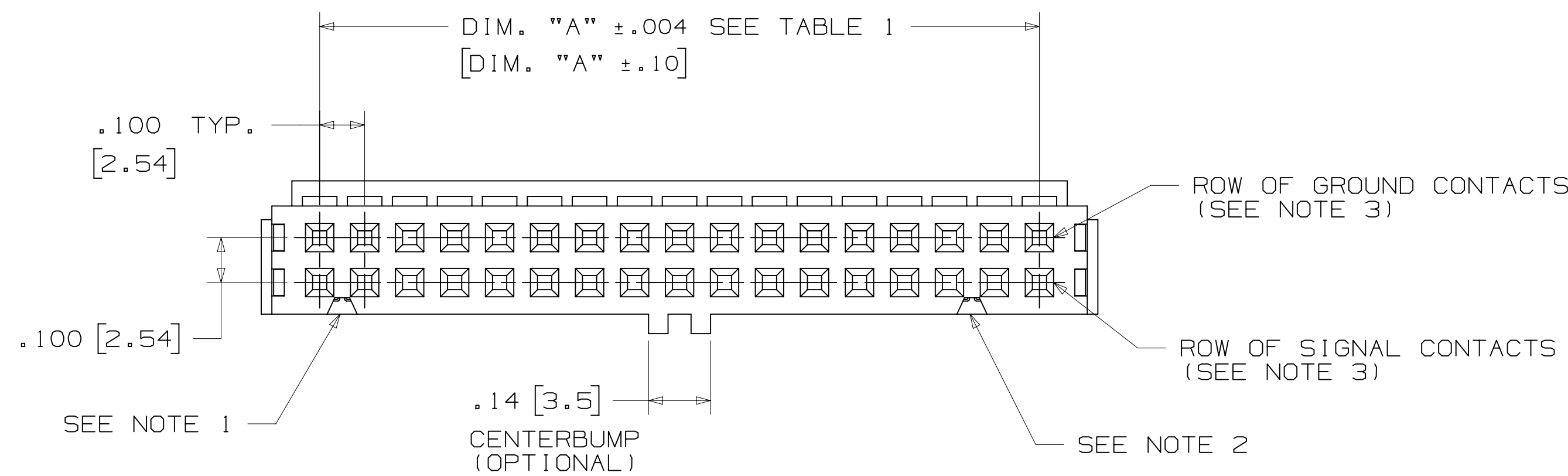


- NOTES
- 1 POLARIZING GROOVE OMITTED FOR POSITIONS 6 AND 8.
  - 2 POLARIZING GROOVE OMITTED FOR POSITIONS 6, 8, 10, 12 AND 14.
  - 3 THE NORMAL "MO" RETENTION STYLE IS ILLUSTRATED. FOR THE REVERSE "MR" RETENTION STYLE THE CABLE ASSEMBLY RETAINER IS FLIPPED 180° END TO END AND THE "SIGNAL" AND "GROUND" ROWS OF CONTACTS ARE ALSO REVERSED.
  - 4 OPTIONAL LOCKING WEDGE PREVENTS SCI REMOVAL. 25 POSITION (CUT TO LENGTH)
  - 5 RELEASE LATCH CAN BE MOVED WITH FINGERNAIL TO ALLOW REPLACEMENT OF SCI CABLE LINE.

TABLE 1: CARRIER POSITIONS

CONTACT QTY.	DIM. "A"	DIM. "B"	DIM. "C"	DIM. "D"
06	.20 [5.08]	.41 [10.48]	.32 [8.22]	.46 [11.68]
08	.30 [7.62]	.51 [13.02]	.42 [10.76]	.56 [14.22]
* 10	.40 [10.16]	.61 [15.56]	.52 [13.30]	.66 [16.76]
12	.50 [12.70]	.71 [18.10]	.62 [15.84]	.76 [19.30]
* 14	.60 [15.24]	.81 [20.64]	.72 [18.38]	.86 [21.84]
* 16	.70 [17.78]	.91 [23.18]	.82 [20.92]	.96 [24.38]
* 20	.90 [22.86]	1.11 [28.26]	1.02 [26.00]	1.16 [29.46]
* 26	1.20 [30.48]	1.41 [35.88]	1.32 [33.62]	1.46 [37.08]
30	1.40 [35.56]	1.61 [40.96]	1.52 [38.70]	1.66 [42.16]
* 34	1.60 [40.64]	1.81 [46.04]	1.72 [43.78]	1.86 [47.24]
* 40	1.90 [48.26]	2.11 [53.66]	2.02 [51.40]	2.16 [54.86]
* 50	2.40 [60.96]	2.61 [66.36]	2.52 [64.10]	2.66 [67.56]
60	2.90 [73.66]	3.11 [79.06]	3.02 [76.80]	3.16 [80.26]
* 64	3.10 [78.74]	3.31 [84.14]	3.22 [81.88]	3.36 [85.34]

\* TOOLED POSITIONS: CONTACT 3M SALES FOR ADDITIONAL POSITIONS



## ORDERING INFORMATION

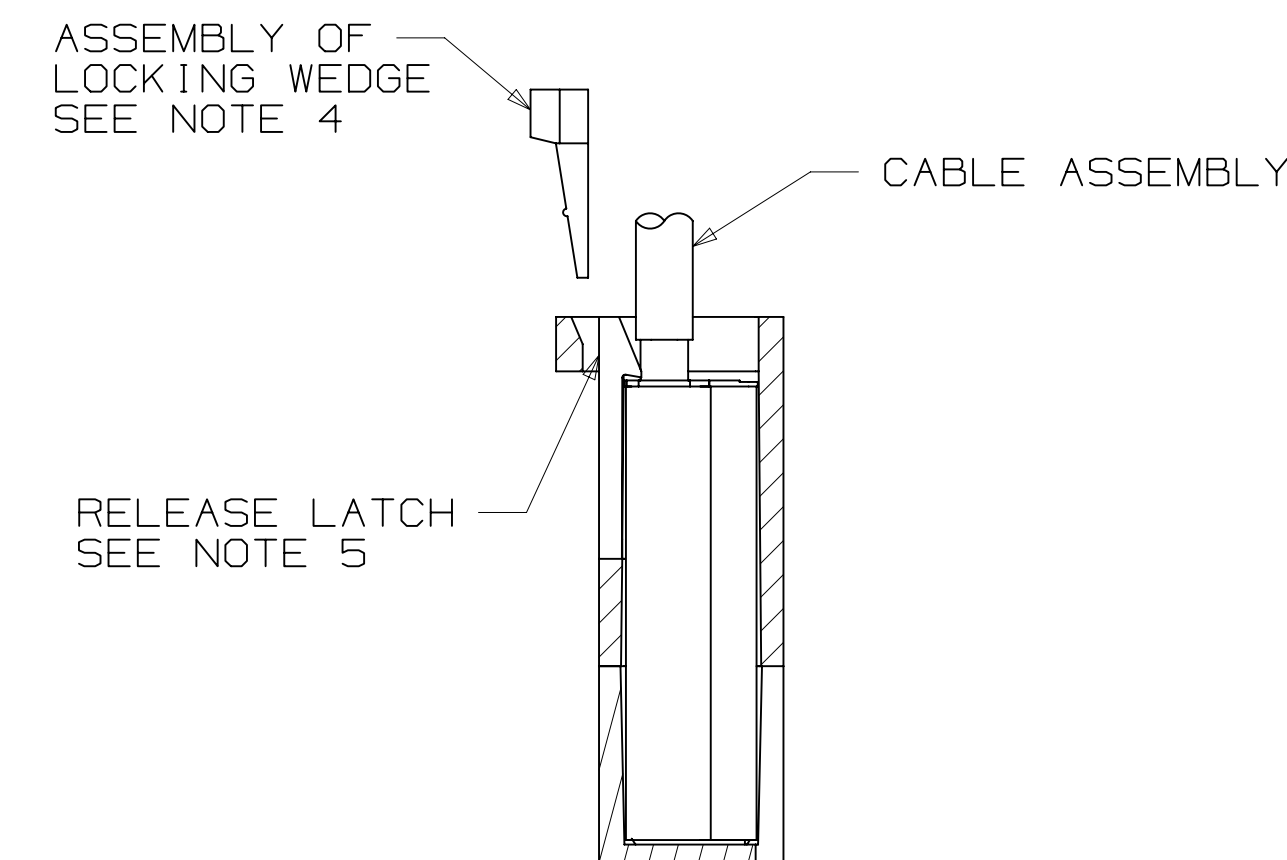
### 2 ROW CARRIER HOUSING

98XX - XXXX

CONTACT QTY. SEE TABLE 1

MOLDED RETENTION FEATURE:  
MO = NORMAL  
MR = REVERSE

CARRIER STYLE:  
PS = CENTERBUMP, SHORT LATCHES  
NS = NO CENTERBUMP, SHORT LATCHES  
PL = CENTERBUMP, LONG LATCHES  
NL = NO CENTERBUMP, LONG LATCHES



DESIGN REFERENCE	NEXT ASSEMBLY	REV	ECO	ISSUE DATE AND DESCRIPTION	DRFT	CHKD
				JAN 03, 2013	JNC	RS
DIVISION		DIVISION CODE		DATE		
Interconnect Solutions		ISD		JAN 03, 2013		
DO NOT SCALE DRAWING		TOLERANCES EXCEPT AS NOTED		DATE		
		INCHES		DATE		
		.00 ± .01		JAN 03, 2013		
		.000 ± .005		MFG		
		.0000 ±		R. SCHERER		
THIRD ANGLE PROJECTION		MILLIMETERS		DATE		
		0 ±		JAN 03, 2013		
INTERPRET PER ASME Y14.5 - 1994		.0 ± .3		DATE		
		.00 ± .13		MFG		
MAX SURFACE ROUGHNESS		.000 ±		DATE		
DT SURFACES		.000 ±		JAN 03, 2013		
✓ MARKED ONLY		ANGLES		DATE		
				JAN 03, 2013		

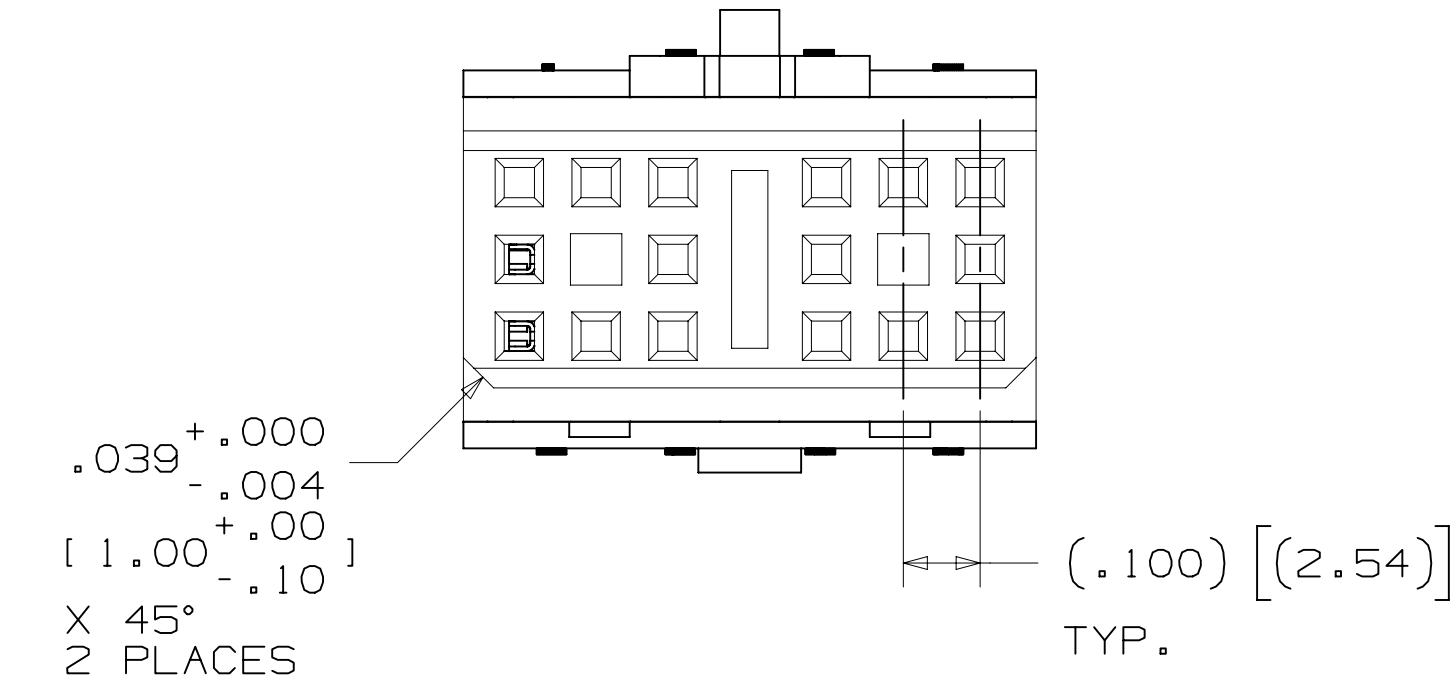
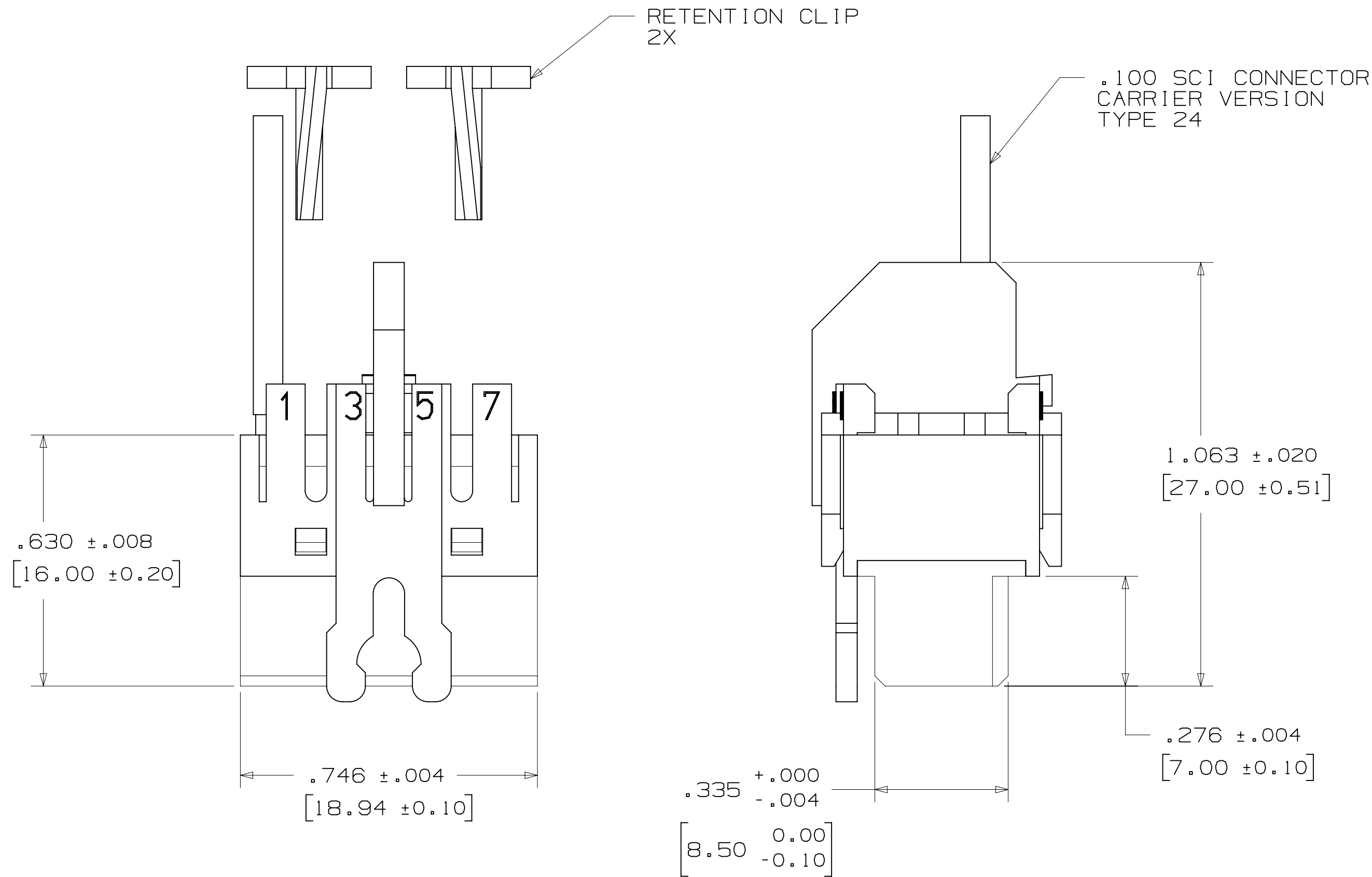
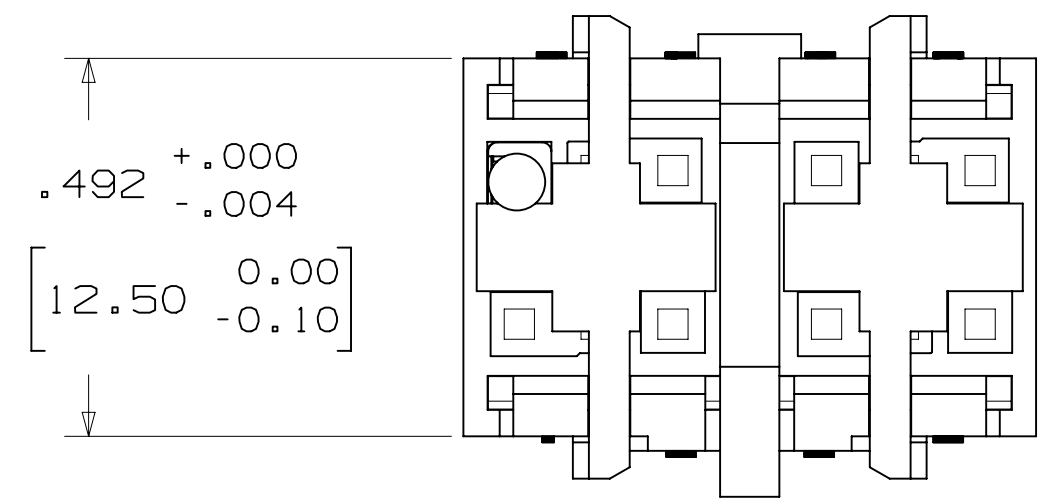
  

B	44714	JAN 03, 2013	JNC	RS
REV	ECO	ISSUE DATE AND DESCRIPTION	DRFT	CHKD
		REVISED AND REDRAWN		
CAGD		DATE	DATE	
CASTIGLIONE		JAN 03, 2013	MFG	
CHKD		DATE	DATE	
		JAN 03, 2013	R. SCHERER	

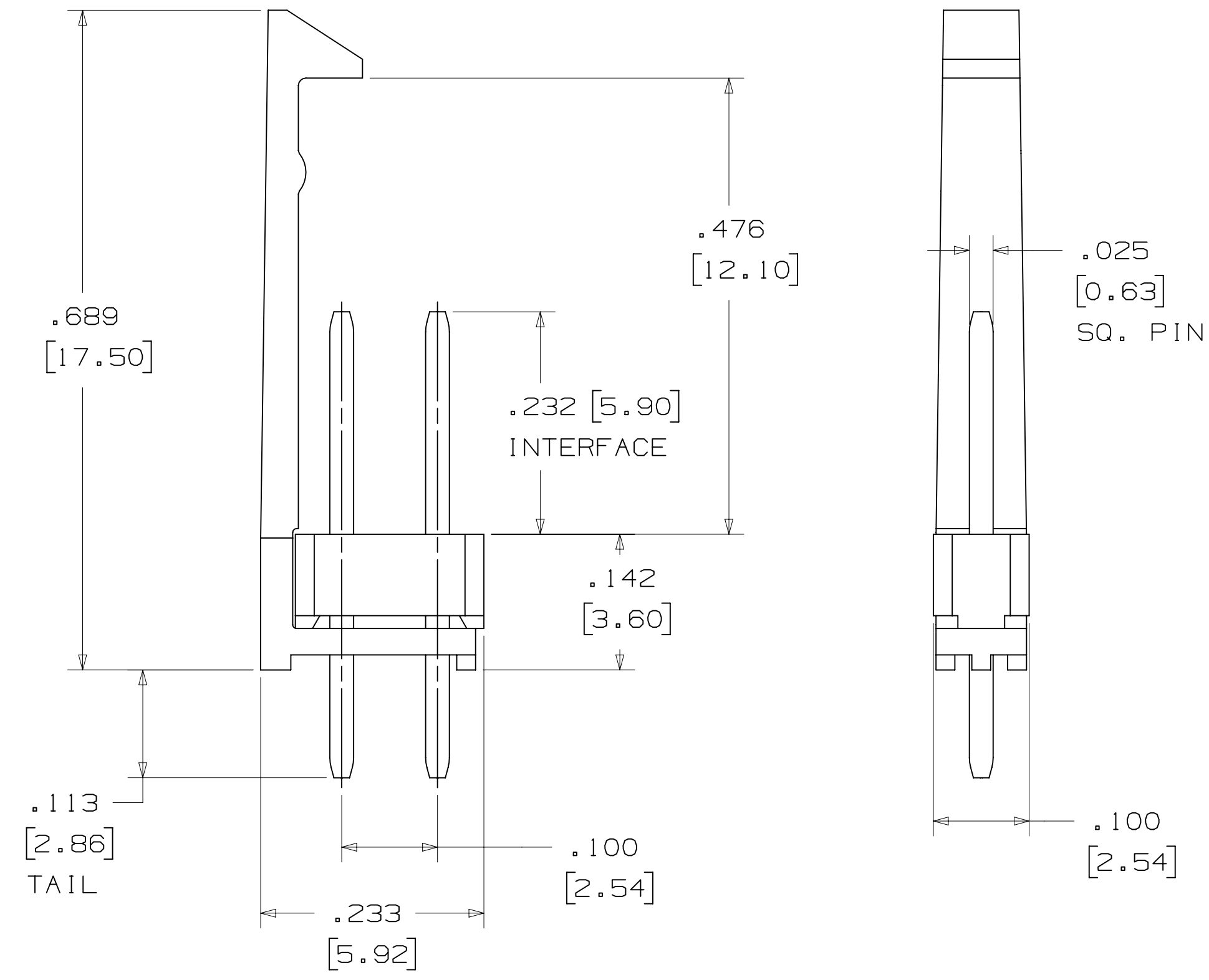
  

		© 3M COPYRIGHT 2013 This document and the information it contains are 3M property and may not be reproduced or further distributed without 3M permission, or used or disclosed other than for 3M authorized purposes. All rights reserved.	
TITLE			
ASSEMBLY HARDWARE, .100 SCI CARRIER			
CAGE NUMBER	SIZE	DRAWING NO.	REV.
D		78-5100-0802-8	B
MODEL		DET	SHT 2 OF 3
		YES	NO

3M™ SHIELDED CONTROLLED IMPEDANCE (SCI)  
 .100" ASSEMBLY HARDWARE



ORDERING INFORMATION  
 3 X 7 CARRIER HOUSING  
 9821-5000



ORDERING INFORMATION  
 PIN STRIP WITH LATCH  
 2402-3505 RC

DESIGN REFERENCE	NEXT ASSEMBLY	REV	ECO	ISSUE DATE AND DESCRIPTION	DRFT	CHKD
				JAN 03, 2013	JNC	RS
DIVISION		DATE		DATE		DATE
Interconnect Solutions		JAN 03, 2013		R. SCHERER		JAN 03, 2013
DO NOT SCALE DRAWING	SCALE	TOLERANCES EXCEPT AS NOTED		This document and the information it contains are 3M property and may not be reproduced or further distributed without 3M permission, or used or disclosed other than for 3M authorized purposes. All rights reserved.		
THIRD ANGLE PROJECTION	INTERPRET PER ASME Y14.5 - 1994	MILLIMETERS		TITLE ASSEMBLY HARDWARE, .100 SCI CARRIER		
MAX SURFACE ROUGHNESS	MARKED ONLY	INCHES		CAGE NUMBER D 78-5100-0802-8		
		MILLIMETERS		DRAWING NO. 78-5100-0802-8		
		INCHES		REV. B		
		MILLIMETERS		SHT 3 OF 3		

## Данный компонент на территории Российской Федерации

### Вы можете приобрести в компании MosChip.

Для оперативного оформления запроса Вам необходимо перейти по данной ссылке:

<http://moschip.ru/get-element>

Вы можете разместить у нас заказ для любого Вашего проекта, будь то серийное производство или разработка единичного прибора.

В нашем ассортименте представлены ведущие мировые производители активных и пассивных электронных компонентов.

Нашей специализацией является поставка электронной компонентной базы двойного назначения, продукции таких производителей как XILINX, Intel (ex.ALTERA), Vicor, Microchip, Texas Instruments, Analog Devices, Mini-Circuits, Amphenol, Glenair.

Сотрудничество с глобальными дистрибьюторами электронных компонентов, предоставляет возможность заказывать и получать с международных складов практически любой перечень компонентов в оптимальные для Вас сроки.

На всех этапах разработки и производства наши партнеры могут получить квалифицированную поддержку опытных инженеров.

Система менеджмента качества компании отвечает требованиям в соответствии с ГОСТ Р ИСО 9001, ГОСТ РВ 0015-002 и ЭС РД 009

### Офис по работе с юридическими лицами:

105318, г.Москва, ул.Щербаковская д.3, офис 1107, 1118, ДЦ «Щербаковский»

Телефон: +7 495 668-12-70 (многоканальный)

Факс: +7 495 668-12-70 (доб.304)

E-mail: [info@moschip.ru](mailto:info@moschip.ru)

Skype отдела продаж:

moschip.ru

moschip.ru\_4

moschip.ru\_6

moschip.ru\_9