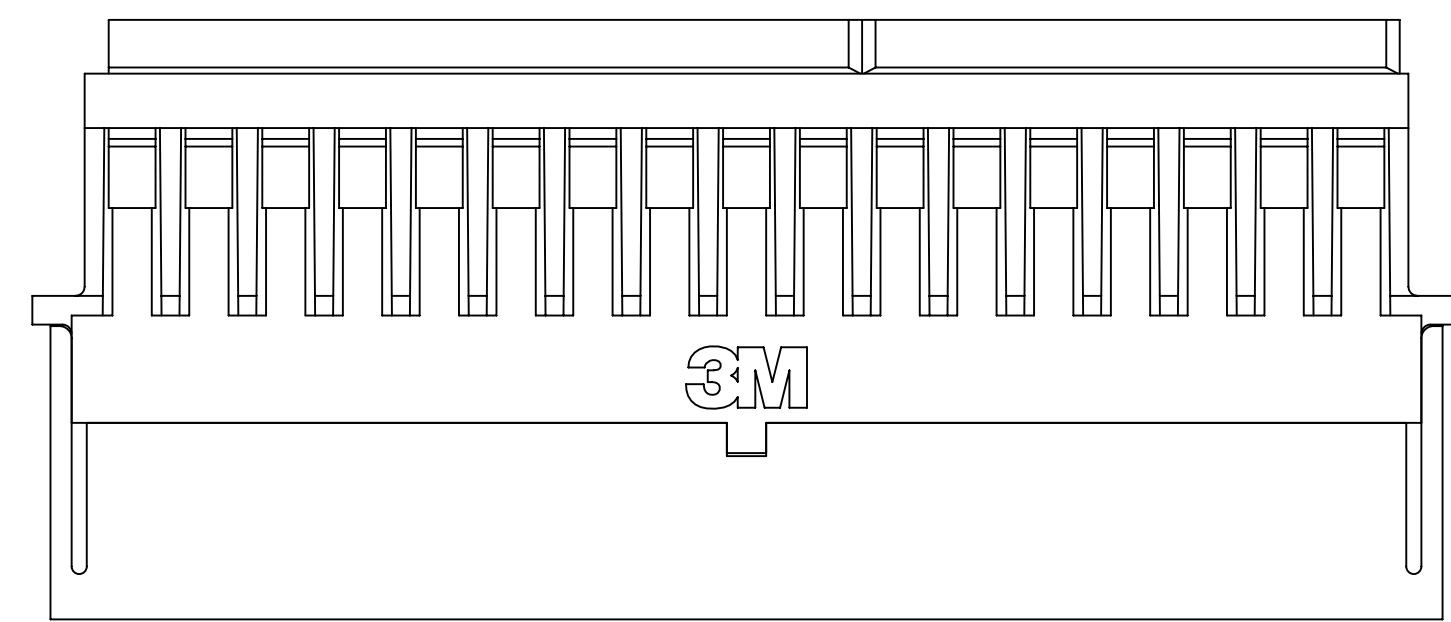
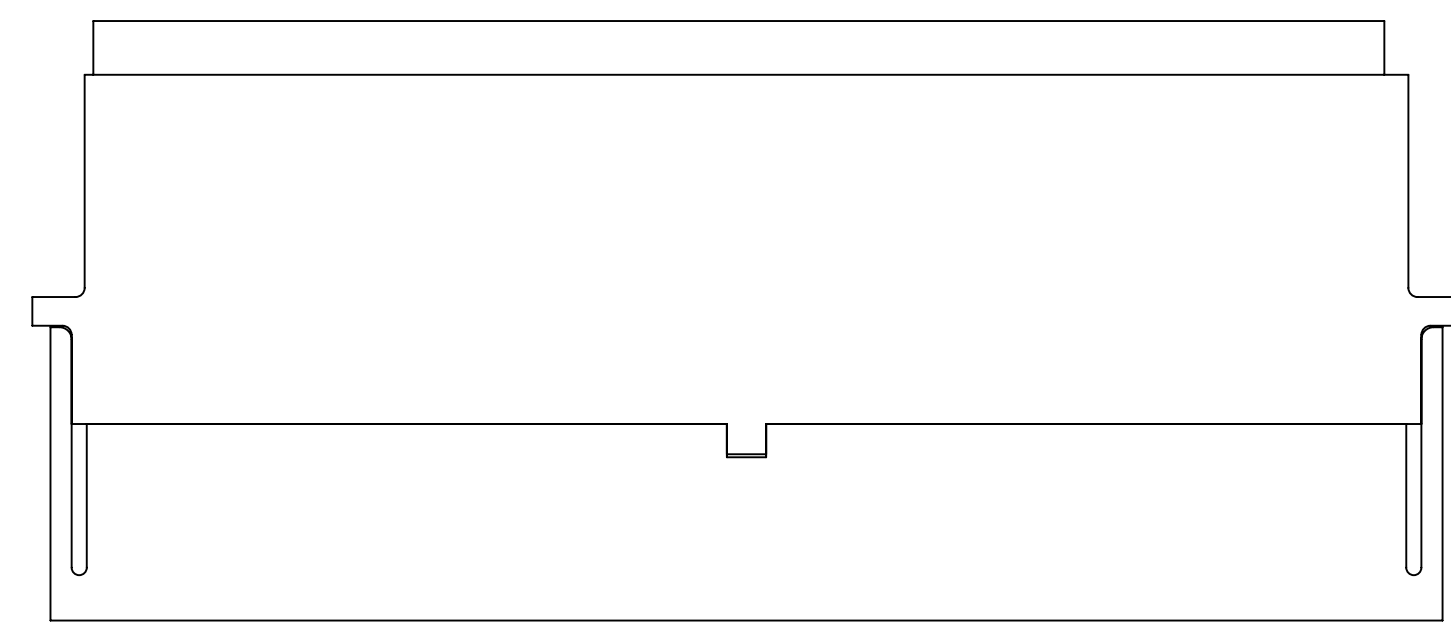


3M™ SHIELDED CONTROLLED IMPEDANCE (SCI)

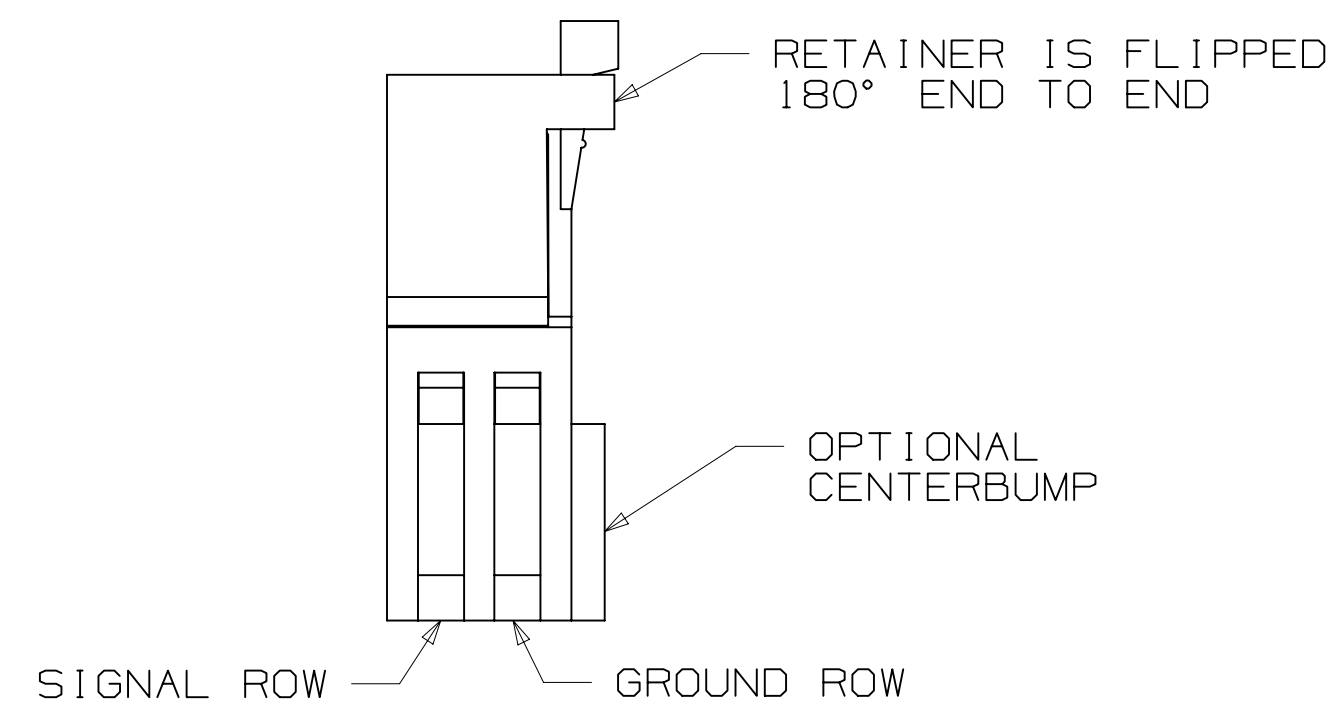
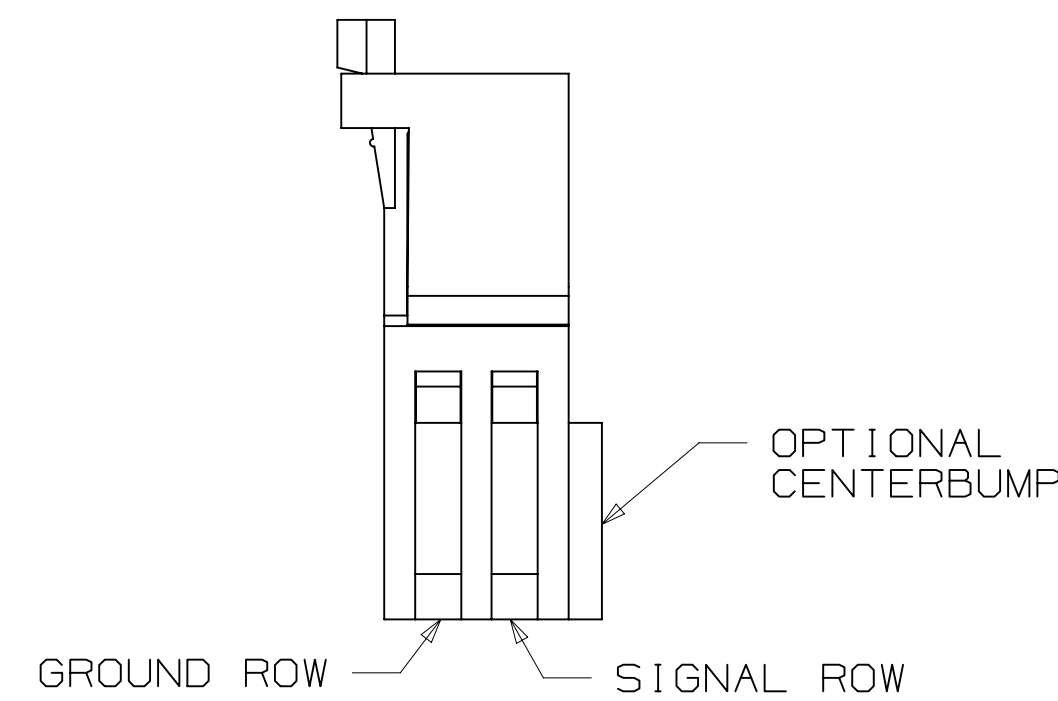
.100" ASSEMBLY HARDWARE



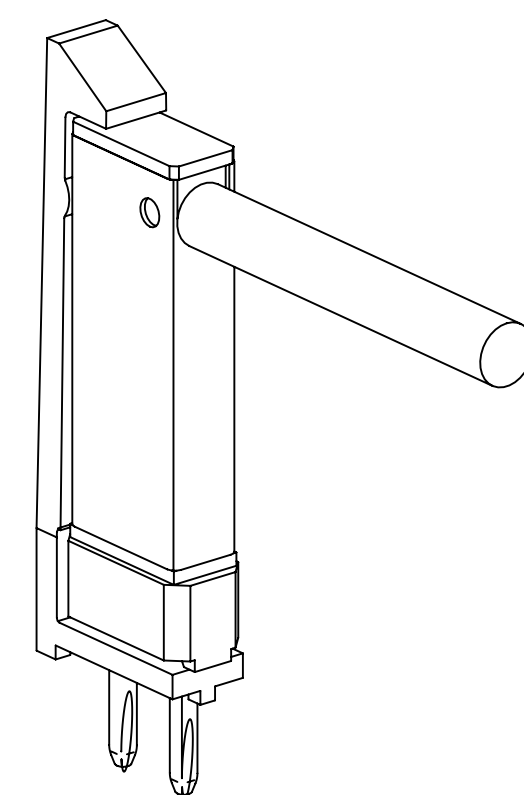
98XX-PSMO
NORMAL "MO" RETENTION STYLE



98XX-PSMR
REVERSE "MR" RETENTION STYLE



NOTE:
1) PIN STRIP LATCH IS FOR USE WITH
.100 SCI, RIGHT ANGLE CONNECTOR
TYPE 22 ONLY.
(SEE TECH SHEET TS-0803)



2 ROW CARRIER HOUSING

- * CARRIERS AVAILABLE IN 3M .100" X .100" (2.54MM X 2.54MM) SOCKET.
- * COMPATIBLE WITH ALL 3M .100" X .100" (2.54MM X 2.54MM) HEADERS.
- * AVAILABLE IN SHORT OR LONG LATCH STYLES. CHECK STYLE FOR MATCH.

3 X 7 CARRIER HOUSING

- * INTEGRAL LOCKING FEATURE.
- * INCLUDES TWO RETENTION CLIPS.

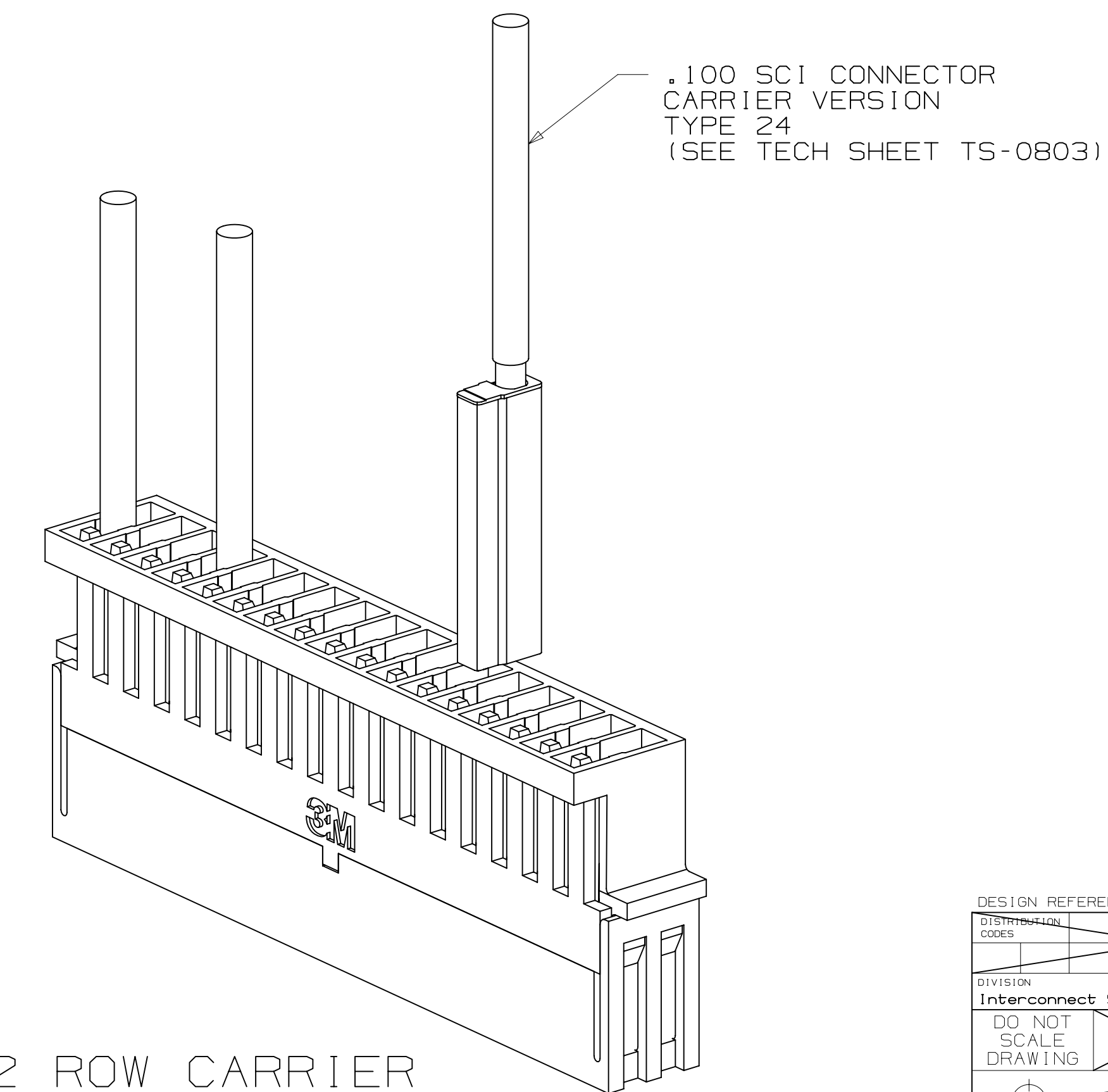
PIN STRIP LATCH

- * AVAILABLE FOR THE RIGHT ANGLE SCI CONNECTOR.
- * RoHS COMPLIANT

2 PHYSICAL :

INSULATION MATERIAL:

- 2 ROW CARRIER: POLYCARBONATE
- 3 X 7 CARRIER: GLASS REINFORCED POLYESTER
- COLOR: BLACK
- FLAMMABILITY: UL 94V-0
- MARKINGS: 3M LOGO
- CONTACTS: COPPER ALLOY



NOTES

- REGULATORY INFORMATION: ROHS COMPLIANT. SEE THE REGULATORY INFORMATION APPENDIX (RIA) IN THE "ROHS COMPLIANCE" SECTION OF WWW.3MCONNECTORS.COM FOR COMPLIANCE INFORMATION.
- IN THE EVENT OF CONFLICT BETWEEN THIS DATA AND THAT CONTAINED IN THE PRODUCT SPECIFICATION, THE PRODUCT SPECIFICATION TAKES PRECEDENT.

3M ELECTRONIC SOLUTIONS DIVISION
INTERCONNECT SOLUTIONS
<http://www.3mconnectors.com>

3M IS A TRADEMARK OF 3M COMPANY.
FOR TECHNICAL, SALES OR ORDERING
INFORMATION CALL 800-225-5373

DESIGN REFERENCE	NEXT ASSEMBLY	REV	ECO	ISSUE DATE AND DESCRIPTION	DRFT	CHKD
				JAN 03, 2013	JNC	RS
DESIGNER		DATE		MFG		DATE
CASTIGLIONE		JAN 03, 2013				
CHKD		DATE		APPR		DATE
				R. SCHERER		JAN 03, 2013
DIVISION		DIVISION CODE		© 3M COPYRIGHT 2013		
Interconnect Solutions		ISD		This document and the information it contains are 3M property and may not be reproduced or further distributed without 3M permission, or used or disclosed other than for 3M authorized purposes. All rights reserved.		
DO NOT SCALE DRAWING		TOLERANCES EXCEPT AS NOTED		3M Center St. Paul, MN 55144		
THIRD ANGLE PROJECTION		INCHES		TITLE		
INTERPRET PER ASME Y14.5 - 1994		.00 ± .01 .000 ± .005 .0000 ±		ASSEMBLY HARDWARE, .100 SCI CARRIER		
MAX SURFACE ROUGHNESS		MILLIMETERS		CAGE NUMBER		
.00 ± .3 .00 ± .13 .000 ±		0 ± 0 ± 0 ±		DRAWING NO.		
✓ MARKED ONLY		ANGLES		D 78-5100-0802-8		
				REV. B		
				MODEL		
				SHT 1 OF 3		

3M™ SHIELDED CONTROLLED IMPEDANCE (SCI)

.100" ASSEMBLY HARDWARE

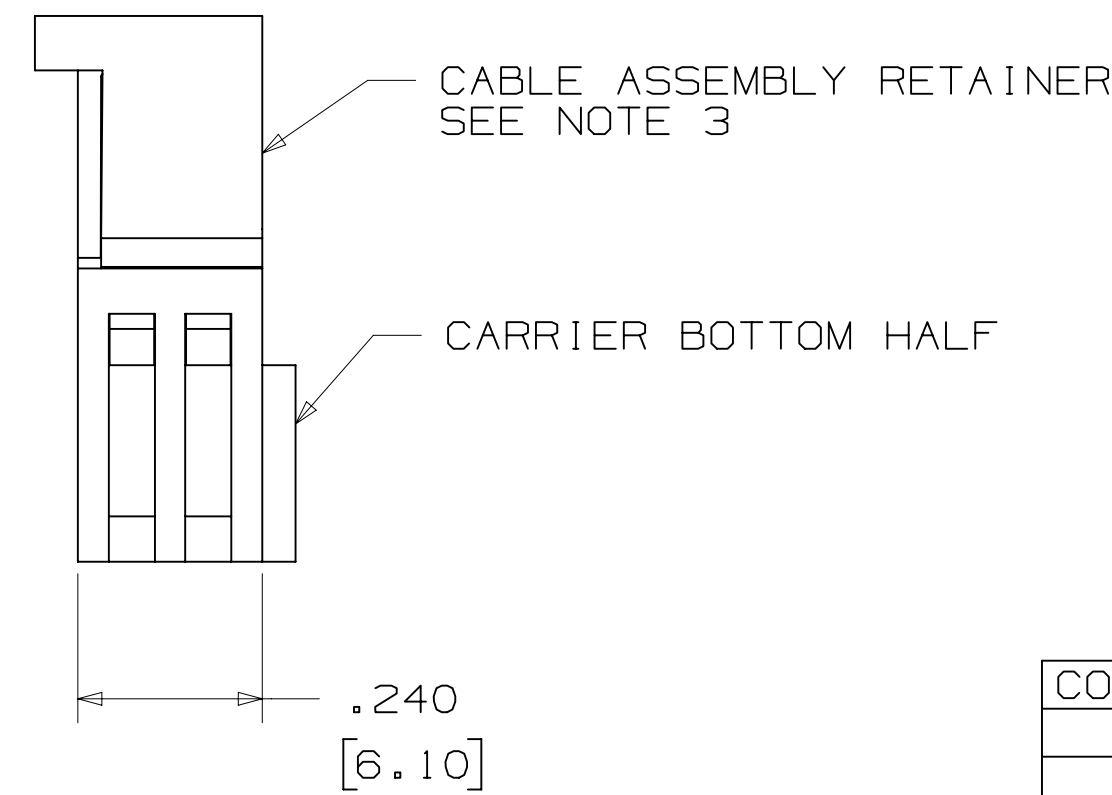
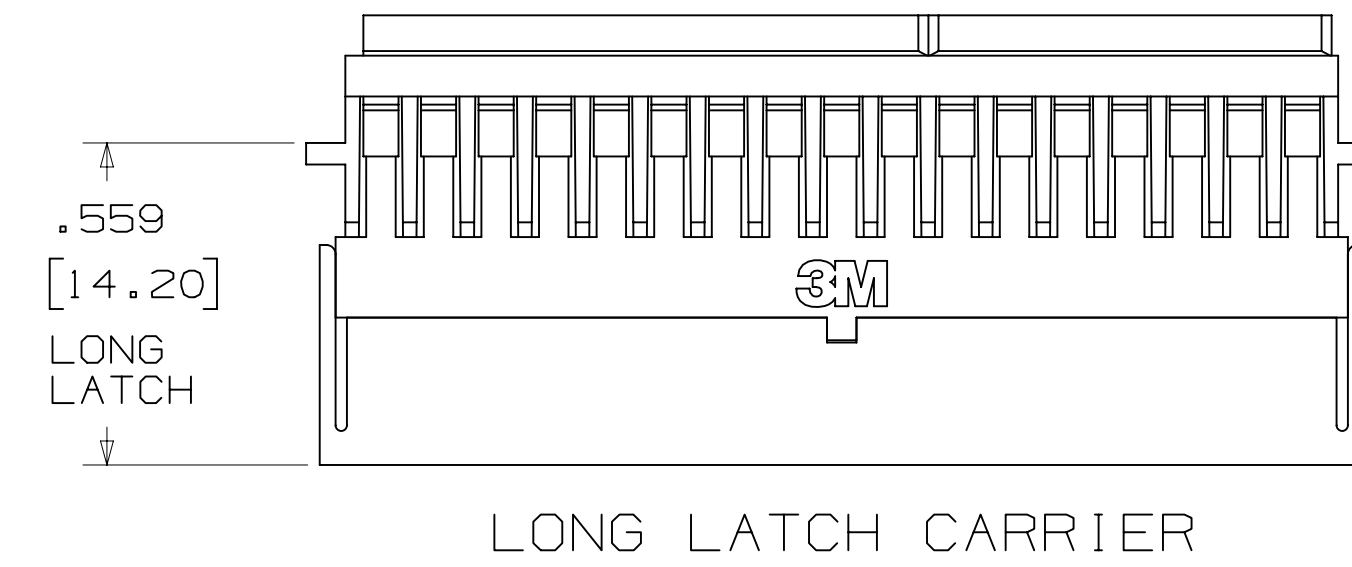
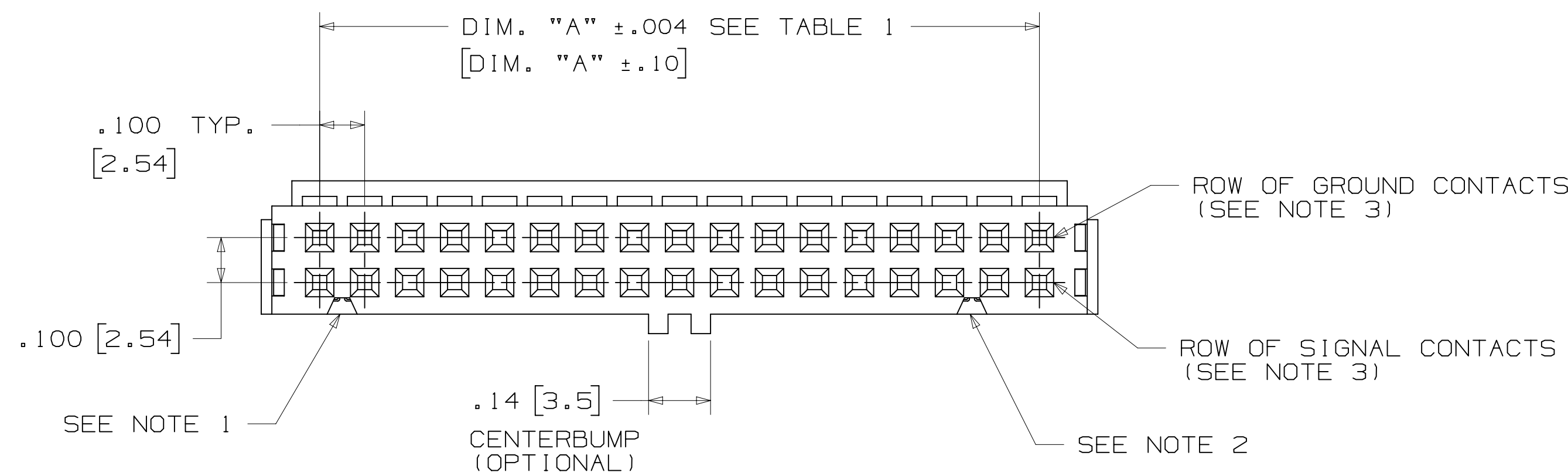


TABLE 1: CARRIER POSITIONS

CONTACT QTY.	DIM. "A"	DIM. "B"	DIM. "C"	DIM. "D"
06	.20 [5.08]	.41 [10.48]	.32 [8.22]	.46 [11.68]
08	.30 [7.62]	.51 [13.02]	.42 [10.76]	.56 [14.22]
* 10	.40 [10.16]	.61 [15.56]	.52 [13.30]	.66 [16.76]
12	.50 [12.70]	.71 [18.10]	.62 [15.84]	.76 [19.30]
* 14	.60 [15.24]	.81 [20.64]	.72 [18.38]	.86 [21.84]
* 16	.70 [17.78]	.91 [23.18]	.82 [20.92]	.96 [24.38]
* 20	.90 [22.86]	1.11 [28.26]	1.02 [26.00]	1.16 [29.46]
* 26	1.20 [30.48]	1.41 [35.88]	1.32 [33.62]	1.46 [37.08]
30	1.40 [35.56]	1.61 [40.96]	1.52 [38.70]	1.66 [42.16]
* 34	1.60 [40.64]	1.81 [46.04]	1.72 [43.78]	1.86 [47.24]
* 40	1.90 [48.26]	2.11 [53.66]	2.02 [51.40]	2.16 [54.86]
* 50	2.40 [60.96]	2.61 [66.36]	2.52 [64.10]	2.66 [67.56]
60	2.90 [73.66]	3.11 [79.06]	3.02 [76.80]	3.16 [80.26]
* 64	3.10 [78.74]	3.31 [84.14]	3.22 [81.88]	3.36 [85.34]

* TOOLED POSITIONS: CONTACT 3M SALES FOR ADDITIONAL POSITIONS

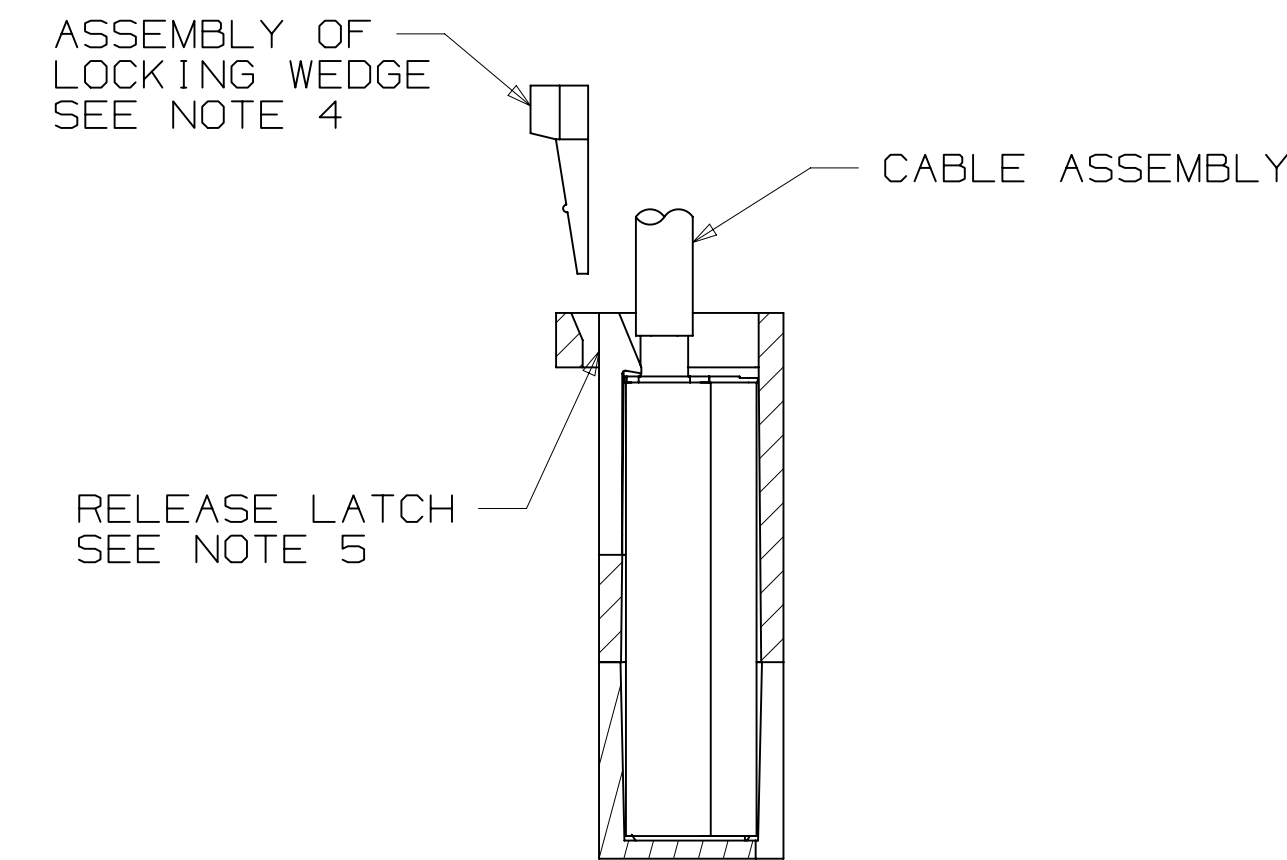


ORDERING INFORMATION 2 ROW CARRIER HOUSING

98XX - XXXX

CONTACT QTY. SEE TABLE 1
MOLDED RETENTION FEATURE:
MO = NORMAL
MR = REVERSE

CARRIER STYLE:
PS = CENTERBUMP, SHORT LATCHES
NS = NO CENTERBUMP, SHORT LATCHES
PL = CENTERBUMP, LONG LATCHES
NL = NO CENTERBUMP, LONG LATCHES



SECTION A - A

- NOTES
- 1 POLARIZING GROOVE OMITTED FOR POSITIONS 6 AND 8.
 - 2 POLARIZING GROOVE OMITTED FOR POSITIONS 6, 8, 10, 12 AND 14.
 - 3 THE NORMAL "MO" RETENTION STYLE IS ILLUSTRATED. FOR THE REVERSE "MR" RETENTION STYLE THE CABLE ASSEMBLY RETAINER IS FLIPPED 180° END TO END AND THE "SIGNAL" AND "GROUND" ROWS OF CONTACTS ARE ALSO REVERSED.
 - 4 OPTIONAL LOCKING WEDGE PREVENTS SCI REMOVAL. 25 POSITION (CUT TO LENGTH)
 - 5 RELEASE LATCH CAN BE MOVED WITH FINGERNAIL TO ALLOW REPLACEMENT OF SCI CABLE LINE.

DESIGN REFERENCE	NEXT ASSEMBLY	REV	ECO	ISSUE DATE AND DESCRIPTION	DRFT	CHKD
				JAN 03, 2013	JNC	RS
DIVISION		DIVISION CODE		DATE		
Interconnect Solutions		ISD		JAN 03, 2013		
DO NOT SCALE DRAWING		TOLERANCES EXCEPT AS NOTED		DATE		
THIRD ANGLE PROJECTION		INCHES		DATE		
INTERPRET PER ASME Y14.5 - 1994		MILLIMETERS		DATE		
MAX SURFACE ROUGHNESS		INCHES		DATE		
MARKED ONLY		MILLIMETERS		DATE		
		ANGLES		DATE		
		CAGE NUMBER		DATE		
		DRAWING NO.		DATE		
		MODEL		DATE		

© 3M COPYRIGHT 2013
 This document and the information it contains are 3M property and may not be reproduced or further distributed without 3M permission, or used or disclosed other than for 3M authorized purposes. All rights reserved.

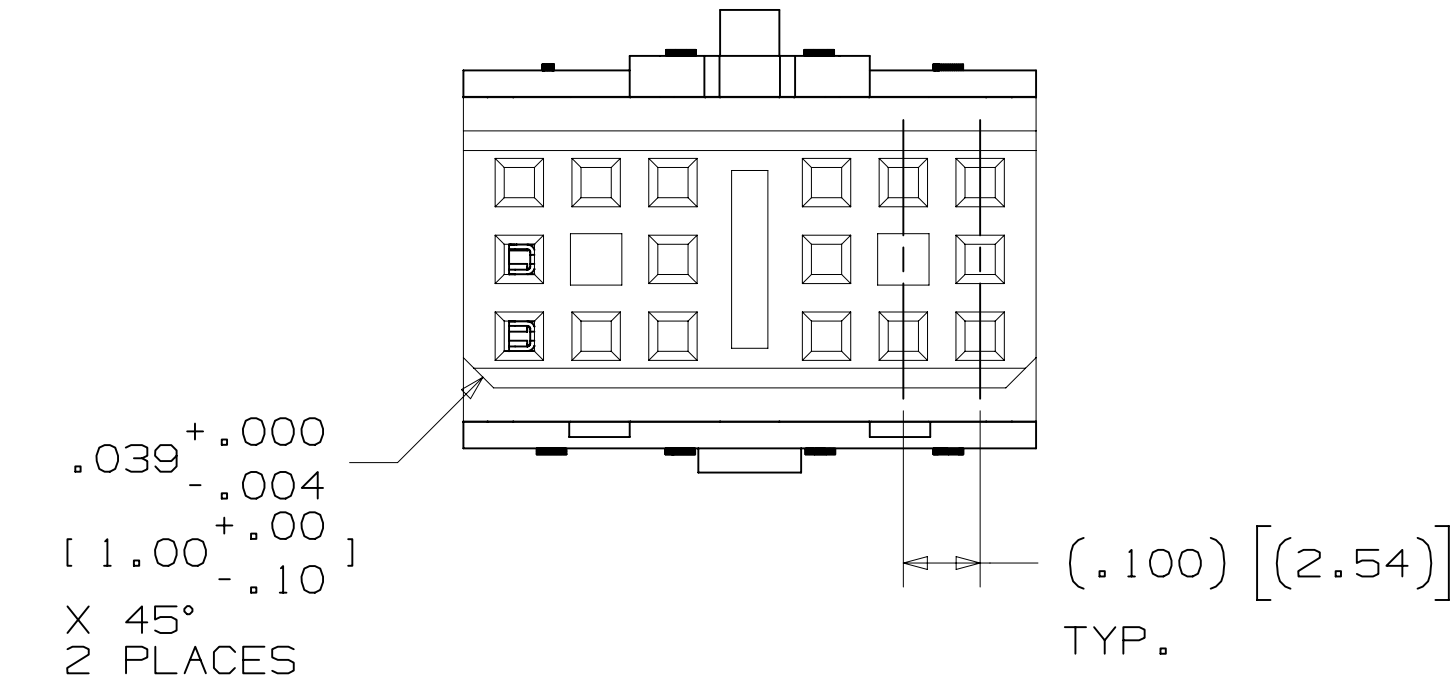
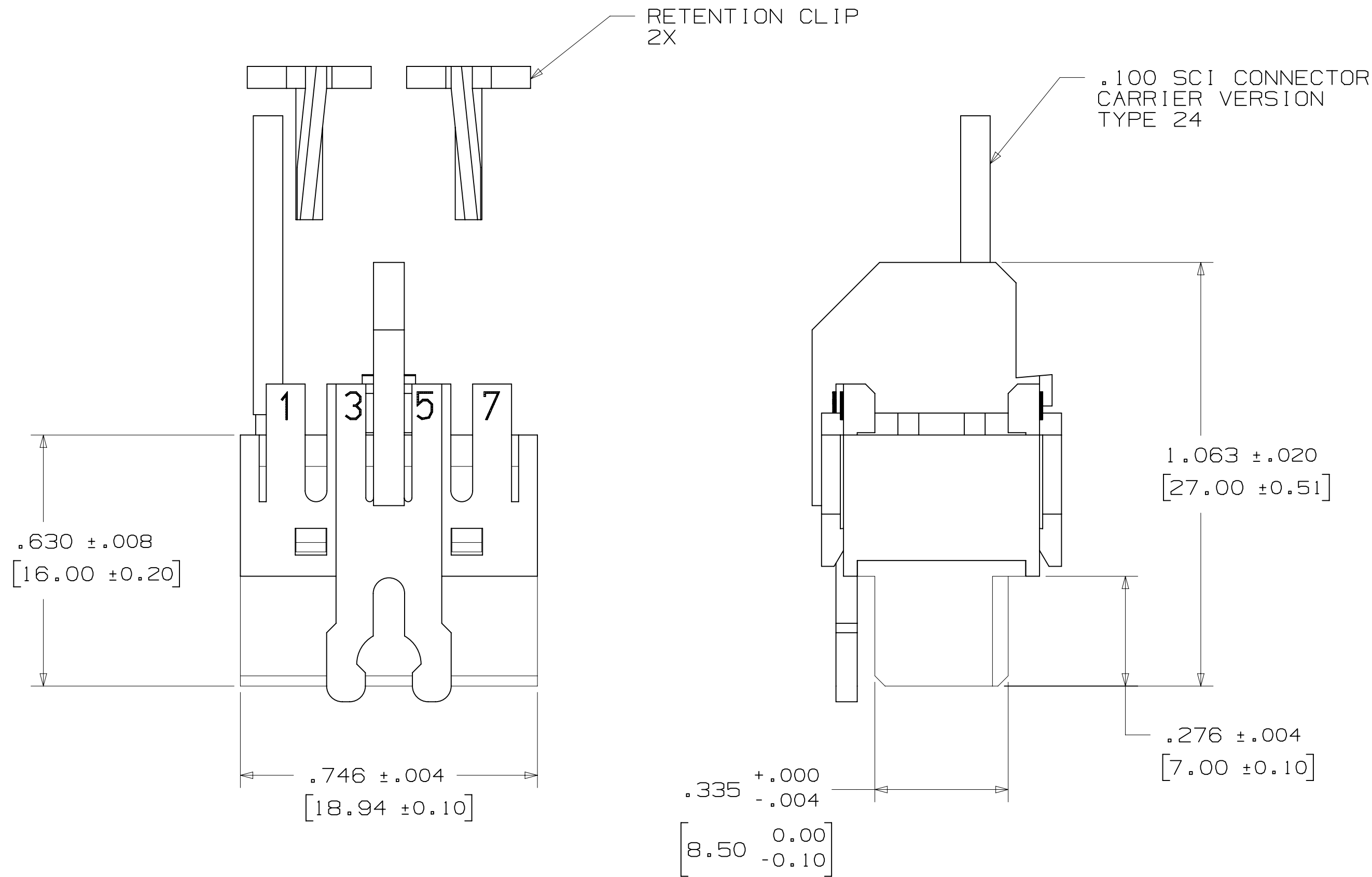
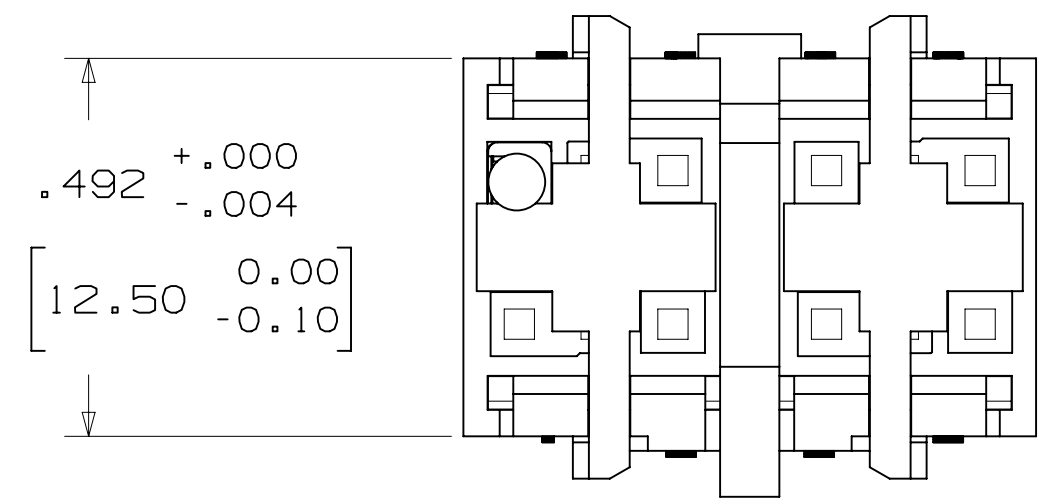
ASSEMBLY HARDWARE,
.100 SCI CARRIER

CAGE NUMBER: **D 78-5100-0802-8**
 DRAWING NO.: **B**
 MODEL: **B**

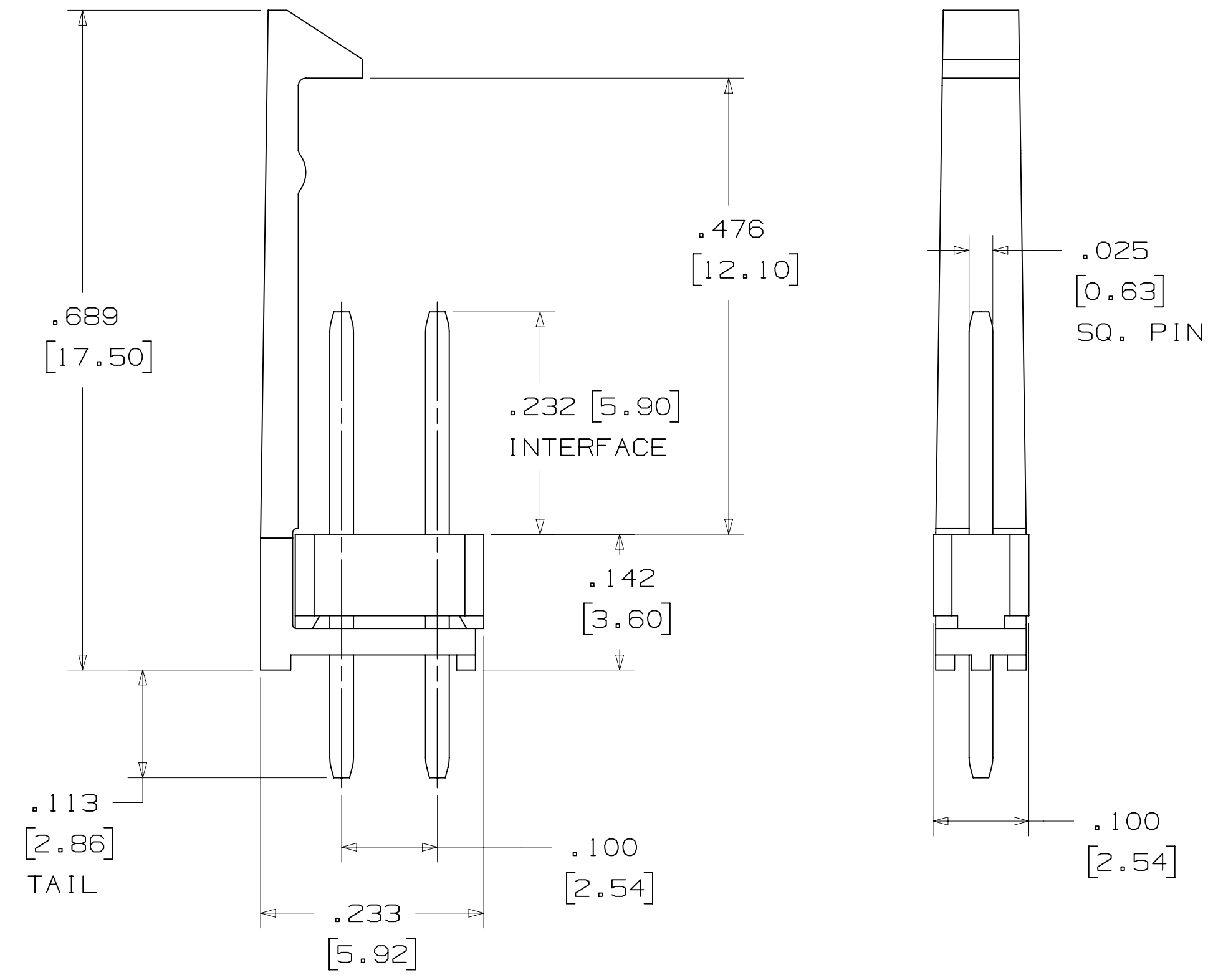
DET: YES NO
 SHT 2 OF 3

78-5100-0802-8

3M™ SHIELDED CONTROLLED IMPEDANCE (SCI)
 .100" ASSEMBLY HARDWARE



ORDERING INFORMATION
 3 X 7 CARRIER HOUSING
 9821-5000



ORDERING INFORMATION
 PIN STRIP WITH LATCH
 2402-3505 RC

DESIGN REFERENCE	NEXT ASSEMBLY	REV	ECO	ISSUE DATE AND DESCRIPTION	DRFT	CHKD
				JAN 03, 2013	JNC	RS
DIVISION		DIVISION CODE		DATE		
Interconnect Solutions		ISD		JAN 03, 2013		
DO NOT SCALE DRAWING		TOLERANCES EXCEPT AS NOTED		DATE		
THIRD ANGLE PROJECTION		INCHES		DATE		
INTERPRET PER ASME Y14.5 - 1994		MILLIMETERS		DATE		
MAX SURFACE ROUGHNESS		INCHES		DATE		
MARKED ONLY		MILLIMETERS		DATE		
		ANGLES		DATE		
		CAGE NUMBER		DATE		
		SIZE		DATE		
		DRAWING NO.		DATE		
		MODEL		DATE		

© 3M COPYRIGHT 2013
 This document and the information it contains are 3M property and may not be reproduced or further distributed without 3M permission, or used or disclosed other than for 3M authorized purposes. All rights reserved.

3M Center
 St. Paul, MN 55144

TITLE
 ASSEMBLY HARDWARE,
 .100 SCI CARRIER

CAGE NUMBER
 D 78-5100-0802-8

REV. B

DET. [] YES [X] NO SHT 3 OF 3

Данный компонент на территории Российской Федерации

Вы можете приобрести в компании MosChip.

Для оперативного оформления запроса Вам необходимо перейти по данной ссылке:

<http://moschip.ru/get-element>

Вы можете разместить у нас заказ для любого Вашего проекта, будь то серийное производство или разработка единичного прибора.

В нашем ассортименте представлены ведущие мировые производители активных и пассивных электронных компонентов.

Нашей специализацией является поставка электронной компонентной базы двойного назначения, продукции таких производителей как XILINX, Intel (ex.ALTERA), Vicor, Microchip, Texas Instruments, Analog Devices, Mini-Circuits, Amphenol, Glenair.

Сотрудничество с глобальными дистрибьюторами электронных компонентов, предоставляет возможность заказывать и получать с международных складов практически любой перечень компонентов в оптимальные для Вас сроки.

На всех этапах разработки и производства наши партнеры могут получить квалифицированную поддержку опытных инженеров.

Система менеджмента качества компании отвечает требованиям в соответствии с ГОСТ Р ИСО 9001, ГОСТ РВ 0015-002 и ЭС РД 009

Офис по работе с юридическими лицами:

105318, г.Москва, ул.Щербаковская д.3, офис 1107, 1118, ДЦ «Щербаковский»

Телефон: +7 495 668-12-70 (многоканальный)

Факс: +7 495 668-12-70 (доб.304)

E-mail: info@moschip.ru

Skype отдела продаж:

moschip.ru

moschip.ru_4

moschip.ru_6

moschip.ru_9