

10115091 - X 0 E - X X X L F

8-COLUMN DIFFERENTIAL SIGNAL

LEAD-FREE DESIGNATION ONLY WITH APPLICABLE PLATING CODES

| LETTER | PLATING (SEE NOTE 6) |                               |
|--------|----------------------|-------------------------------|
|        | APPLICATION          | TYPE (REFERENCE)              |
| B      | TELCORDIA CO         | 0.76um GOLD or GXT            |
| C      | TELCORDIA UE         | 1.27um GOLD                   |
| D      | TELCORDIA CO         | 0.76um GOLD or GXT, LEAD-FREE |
| E      | TELCORDIA UE         | 1.27um GOLD, LEAD-FREE        |

| NUMBER | GUIDE PIN STYLE (SEE NOTE 8) |
|--------|------------------------------|
| 0      | STANDARD GUIDE PIN, MACHINED |
| 1      | STANDARD GUIDE PIN, ROLLED   |

| MODULE DESCRIPTION                             | LETTER DESIGNATION REPRESENTED IN DASH NUMBER |   |   |   |   |   |   |   |   |   | BASE MODULE |
|--|---|---|---|---|---|---|---|---|---|---|-------------|
| LEFT POLARIZING GUIDANCE MODULE (SEE SHEET 6)  | N   | J | A | B | C | D | E | F | G | H |             |
|  | NO KEY NO GUIDE PIN                           |   |   |   |   |   |   |   |   |   |             |
| RIGHT POLARIZING GUIDANCE MODULE (SEE SHEET 7) | Z   | Y | P | Q | R | S | T | U | V | W |             |
|  | NO KEY NO GUIDE PIN                           |   |   |   |   |   |   |   |   |   |             |
| OPEN MODULE (TWO WALL) (SEE SHEET 2)           | 0 (ZERO)                                      |   |   |   |   |   |   |   |   |   |             |
| LEFT WALL MODULE (SEE SHEET 3)                 | L   |   |   |   |   |   |   |   |   |   |             |
| RIGHT WALL MODULE (SEE SHEET 4)                | M   |   |   |   |   |   |   |   |   |   |             |
| FOUR WALL MODULE (SEE SHEET 5)                 | 1 (ONE)                                       |   |   |   |   |   |   |   |   |   |             |

| NUMBER | CONTACT MATING WIPE LENGTH |        | COMPLIANT TAIL TYPE (SEE NOTE 9) |
|--------|----------------------------|--------|----------------------------------|
|        | SIGNAL                     | GROUND |                                  |
| 1      | 2 MM                       | 4 MM   | 0.55 (0.0217") DRILL             |
| 2      | 3 MM                       | 4 MM   | 0.55 (0.0217") DRILL             |
| 3      | 2 MM                       | 4 MM   | 0.45 MICRO (0.0177") DRILL       |
| 4      | 3 MM                       | 4 MM   | 0.45 MICRO (0.0177") DRILL       |
| 5      | 2 MM                       | 3 MM   | 0.55 (0.0217") DRILL             |
| 6      | 3 MM                       | 3 MM   | 0.55 (0.0217") DRILL             |
| 7      | 2 MM                       | 3 MM   | 0.45 MICRO (0.0177") DRILL       |
| 8      | 3 MM                       | 3 MM   | 0.45 MICRO (0.0177") DRILL       |

FOR CUSTOM-LOADED MODULES, SEE INDIVIDUAL CUSTOM DRAWINGS WITH THE DRAWING-NUMBER FORMAT OF 10115091-XXXX, WHERE: "X" DENOTES MODULE TYPE PER CHART ON THIS SHEET "YYYY" IS A SEQUENTIAL NUMBER BEGINNING WITH "0001".

|            | UNGROUNDED  | GROUNDED    |
|------------|-------------|-------------|
| FHS        | Ø2.35-Ø2.55 | Ø2.35-Ø2.55 |
| PAD        | N/A         | Ø5.50       |
| PLATED     | NO          | YES         |
| DRILL (mm) | 2.44mm      | 2.58mm      |
| DRILL (in) | 0.096"      | 0.1015"     |

| SCREW P/N      | DESCRIPTION  | BOARD THICKNESS |
|----------------|--|-----------------|
| 10091790-002LF | #2-56 X 0.375" LG. PHILIPS PANHEAD W/SQ CONICAL WASHER | 1.60-5.00mm     |
| 10091790-003LF | #2-56 X 0.375" LG. PHILIPS PANHEAD W/SQ CONICAL WASHER | 5.00-10.00mm    |

| spec ref | tolerance std | TOLERANCES UNLESS OTHERWISE SPECIFIED |       |     |
|----------|---------------|---------------------------------------|-------|-----|
|          | ISO 406       | 0.X                                   | ±0.3  |     |
|          | ISO 1101      | 0.XX                                  | ±0.10 |     |
|          |               | 0.XXX                                 | ±0.05 |     |
|          | ISO 1302      | angular                               | 0°    | ±2° |

|                     |            |                                  |    |           |                        |              |     |
|---------------------|------------|----------------------------------|----|-----------|------------------------|--------------|-----|
| dr Collins Lu       | 2011/07/27 | projection                       | mm | size      | A2                     | scale        | 1:1 |
| eng Sandar Soe      | 2016/03/07 |                                  | ←  | ecn no    | ELX-S-17624-1          |              |     |
| chr -               | -          |                                  |    | rel level | Released               |              |     |
| appr Chen-Hong Tan  | 2016/03/17 | product family                   | -  | cat. no.  | Product - Customer Drw | sheet 1 of 8 | rev |
| <b>Amphenol FCI</b> |            | MODULE ASSEMBLY, XCEDE HD        |    | 10115091  |                        | E            |     |
| www.fci.com         |            | Vertical Header, 4 Pair 8 Column |    |           |                        |              |     |

Amphenol FCI

© 2016 AFCI



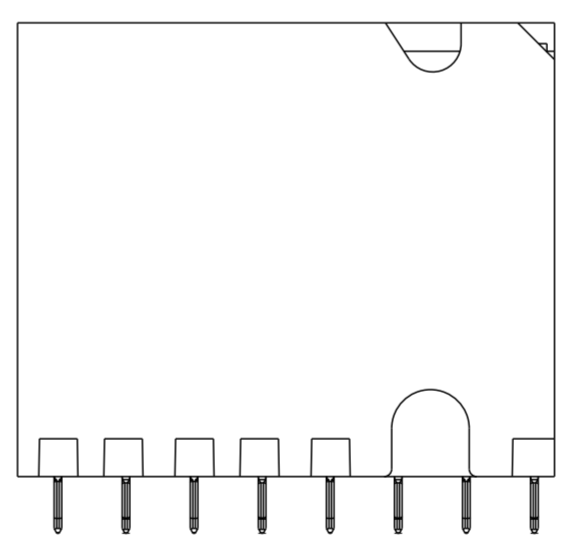
SEE DETAIL A  
On Sheet 8 For Details

BP HOLE PATTERN COMPONENT SIDE  
OPEN WALL MODULE BACKPLANE FOOTPRINT



(6.4)  
For 4MM Wipe Ground  
(5.4)  
For 3MM Wipe Ground

(5.2)  
For 3MM Wipe Signal  
(4.2)  
For 2MM Wipe Signal



|                                       |                     |         |            |            |             |          |        |                           |              |          |               |            |                |
|---------------------------------------|---------------------|---------|------------|------------|-------------|----------|--------|---------------------------|--------------|----------|---------------|------------|----------------|
| spec ref                              | -                   | dr      | Collins Lu | 2011/07/27 | projection  | mm       | size   | A2                        | scale        | 1:1      |               |            |                |
| tolerance std                         | ISO 406<br>ISO 1101 | eng     | Sandar Soe | 2016/03/07 |             | mm       | ecn no | ELX-S-17624-1             | rel level    | Released |               |            |                |
| TOLERANCES UNLESS OTHERWISE SPECIFIED |                     | chr     | -          | appr       |             |          |        |                           |              |          | Chen-Hong Tan | 2016/03/17 | product family |
| surface                               | ISO 1302            | linear  | 0.X        | ±0.3       |             |          | title  | MODULE ASSEMBLY, XCEDE HD |              | dwg no   | 10115091      | rev        | E              |
|                                       |                     | angular | 0°         | ±2°        | www.fci.com | cat. no. | -      | Product - Customer Drw    | sheet 2 of 8 |          |               |            |                |



LEFT WALL MODULE



SEE DETAIL A  
On Sheet 8 For Details



(5.2)  
For 3MM Wipe Signal  
(4.2)  
For 2MM Wipe Signal

BP HOLE PATTERN COMPONENT SIDE  
LEFT WALL MODULE BACKPLANE FOOTPRINT

Amphenol  
FCi

© 2016 AFci

|                                       |                     |         |            |            |             |          |  |                        |                    |          |
|---------------------------------------|---------------------|---------|------------|------------|-------------|----------|--|------------------------|--------------------|----------|
| spec ref                              | -                   | dr      | Collins Lu | 2011/07/27 | projection  | mm       | size   | A2                     | scale              | 1:1      |
| tolerance std                         | ISO 406<br>ISO 1101 | eng     | Sandar Soe | 2016/03/07 |             | mm       | ecn no   | ELX-S-17624-1          | rel level          | Released |
| TOLERANCES UNLESS OTHERWISE SPECIFIED |                     | chr     | -          | appr       |             |          |  |                        |                    |          |
| surface                               | ISO 1302            | linear  | 0.X        | ±0.3       |             |          | <b>MODULE ASSEMBLY, XCEDE HD</b><br>Vertical Header, 4 Pair 8 Column |                        | dwg no<br>10115091 | rev<br>E |
|                                       |                     | angular | 0°         | ±2°        | www.fci.com | cat. no. | -  | Product - Customer Drw | sheet 3 of 8       |          |

PDS: Rev :E

STATUS:Released

Printed: Mar 17, 2016



RIGHT WALL MODULE



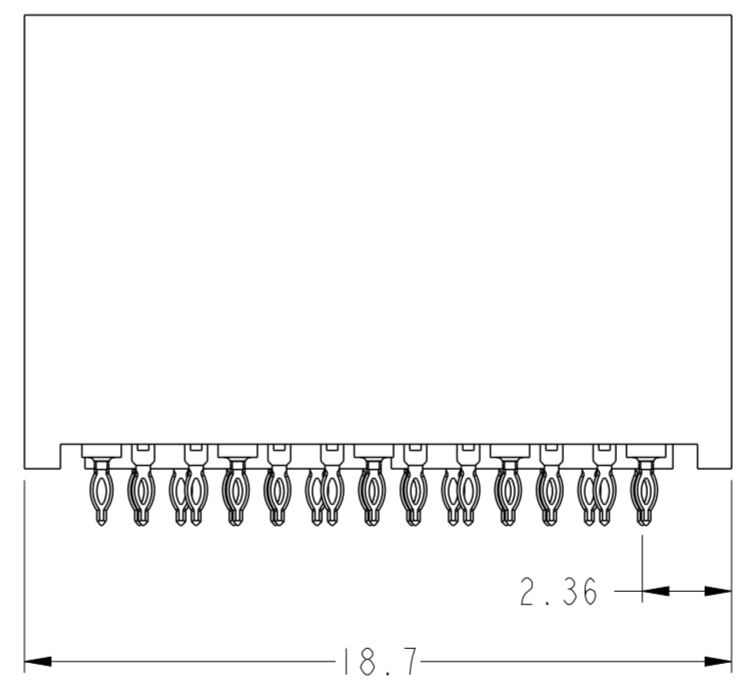
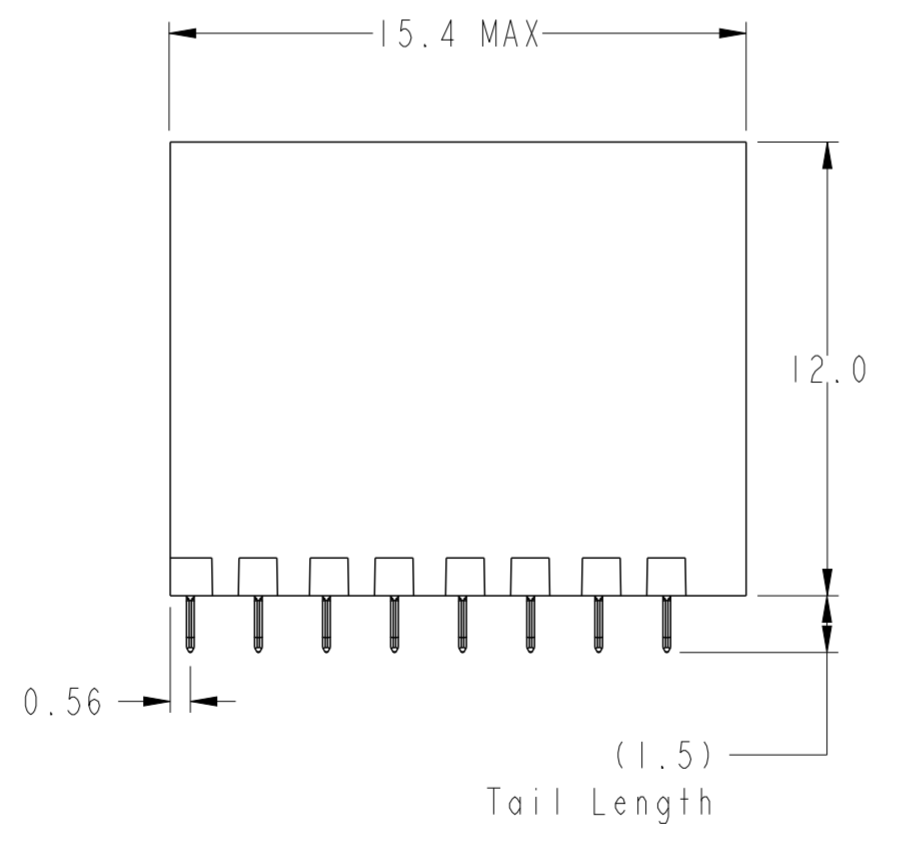
SEE DETAIL A  
On Sheet 8 For Details

BP HOLE PATTERN COMPONENT SIDE

RIGHT WALL MODULE BACKPLANE FOOTPRINT



(6.4)  
For 4MM Wipe Ground  
(5.4)  
For 3MM Wipe Ground



(5.2)  
For 3MM Wipe Signal  
(4.2)  
For 2MM Wipe Signal

Amphenol  
FCi

© 2016 AFCi

|                                       |                     |         |            |            |            |    |               |                           |                |     |
|---------------------------------------|---------------------|---------|------------|------------|------------|----|---------------|---------------------------|----------------|-----|
| spec ref                              | -                   | dr      | Collins Lu | 2011/07/27 | projection | mm | size          | A2                        | scale          | 1:1 |
| tolerance std                         | ISO 406<br>ISO 1101 | eng     | Sandar Soe | 2016/03/07 |            |    | ecn no        | ELX-S-17624-1             |                |     |
| TOLERANCES UNLESS OTHERWISE SPECIFIED |                     | chr     | -          | appr       |            |    | Chen-Hong Tan | 2016/03/17                | product family | -   |
| surface                               | ISO 1302            | linear  | 0.X        | ±0.3       |            |    | title         | MODULE ASSEMBLY, XCEDE HD |                |     |
|                                       |                     |         | 0.XX       | ±0.10      |            |    | part no       | 10115091                  |                |     |
|                                       |                     | angular | 0°         | ±2°        |            |    | cat. no.      | Product - Customer Drw    |                |     |
|                                       |                     |         |            |            |            |    | rev           | E                         |                |     |
|                                       |                     |         |            |            |            |    | sheet         | 4 of 8                    |                |     |

PDS: Rev :E

STATUS:Released

Printed: Mar 17, 2016



△ FOUR WALL MODULE

BP HOLE PATTERN COMPONENT SIDE

△ FOUR WALL MODULE BACKPLANE FOOTPRINT



|                                       |                     |      |            |                                    |  |    |                    |               |                        |          |
|---------------------------------------|---------------------|------|------------|------------------------------------|--|----|--------------------|---------------|------------------------|----------|
| spec ref                              | -                   | dr   | Collins Lu | 2011/07/27                         | projection   | mm | size               | A2            | scale                  | 1:1      |
| tolerance std                         | ISO 406<br>ISO 1101 | eng  | Sandar Soe | 2016/03/07                         |  | mm | ecn no             | ELX-S-17624-1 | rel level              | Released |
| TOLERANCES UNLESS OTHERWISE SPECIFIED |                     | chr  | -          | appr                               |  |    |                    |               |                        |          |
| surface                               | linear              | 0.X  | ±0.3       | <b>Amphenol FCI</b><br>www.fci.com | <b>MODULE ASSEMBLY, XCEDE HD</b><br>Vertical Header, 4 Pair 8 Column |    | dwg no<br>10115091 | rev<br>E      | Product - Customer Drw |          |
|                                       |                     | 0.XX | ±0.10      |                                    | cat. no.   | -  |                    |               | sheet 5 of 8           |          |
|                                       | angular             | 0°   | ±2°        |                                    |  |    |                    |               |                        |          |



LEFT POLARIZING/GUIDE MODULE



SEE NOTE 11 & TABLE 1

SEE DETAIL A OnSheet 8 For Details

BP HOLE PATTERN COMPONENT SIDE  
LEFT POLARIZING GUIDE MODULE  
BACKPLANE FOOTPRINT



- (5.2) For 3MM Wipe Signal
- (4.2) For 2MM Wipe Signal
- (6.4) For 4MM Wipe Ground
- (5.4) For 3MM Wipe Ground

|                                       |                     |         |            |            |             |    |          |                           |           |              |               |
|---------------------------------------|---------------------|---------|------------|------------|-------------|----|----------|---------------------------|-----------|--------------|---------------|
| spec ref                              | -                   | dr      | Collins Lu | 2011/07/27 | projection  | mm | size     | A2                        | scale     | 1:1          |               |
| tolerance std                         | ISO 406<br>ISO 1101 | eng     | Sandar Soe | 2016/03/07 |             | mm | ecn no   | ELX-S-17624-1             | rel level | Released     |               |
| TOLERANCES UNLESS OTHERWISE SPECIFIED |                     | chr     | -          | appr       |             |    |          |                           |           |              | Chen-Hong Tan |
| surface                               | ISO 1302            | linear  | 0.X        | ±0.3       |             |    | title    | MODULE ASSEMBLY, XCEDE HD |           | rev          | E             |
|                                       |                     | angular | 0°         | ±2°        | www.fci.com |    | cat. no. | Product - Customer Drw    |           | sheet 6 of 8 |               |



Optional Key See Sheet 1  
Part Number Tree

SEE NOTE 5

PIN A1

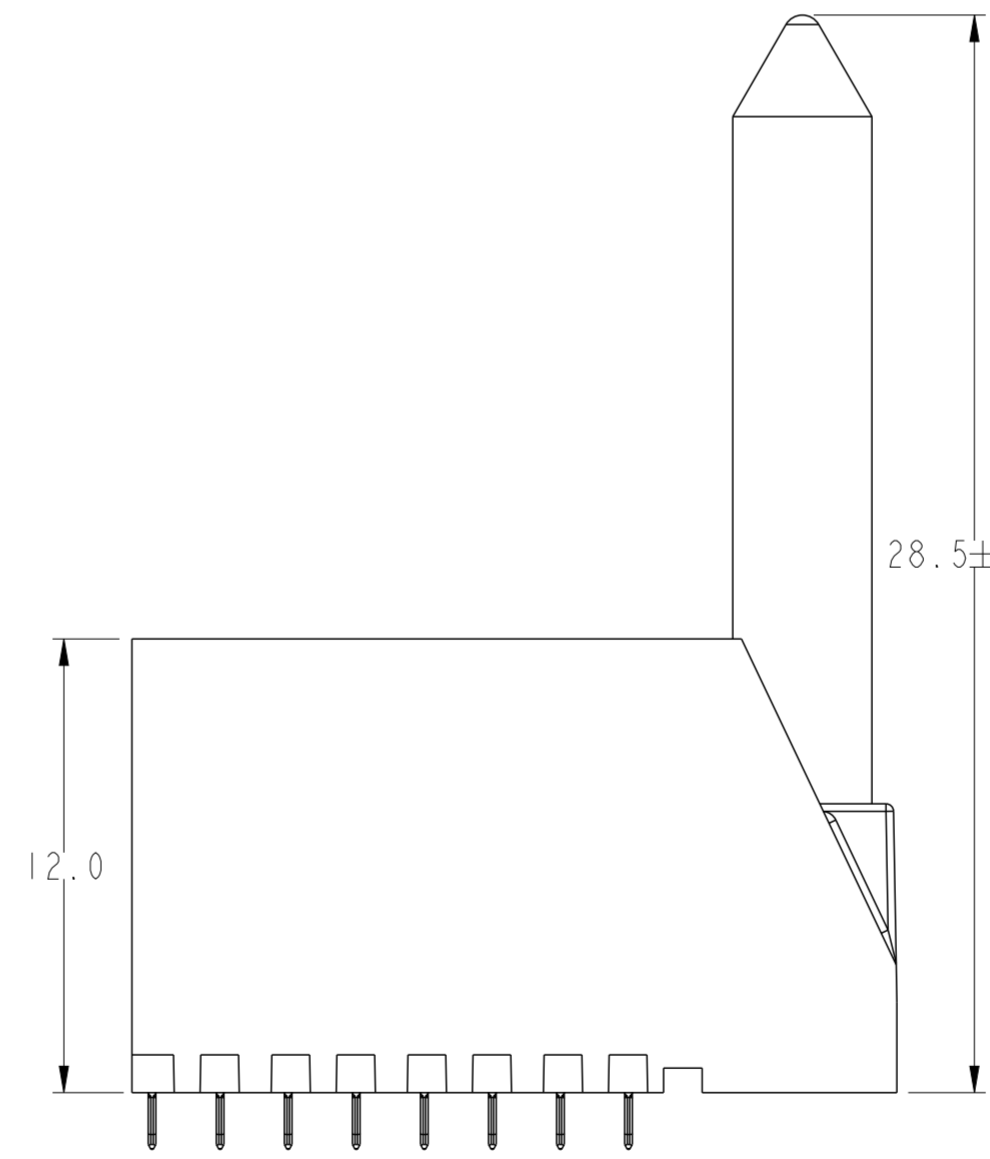
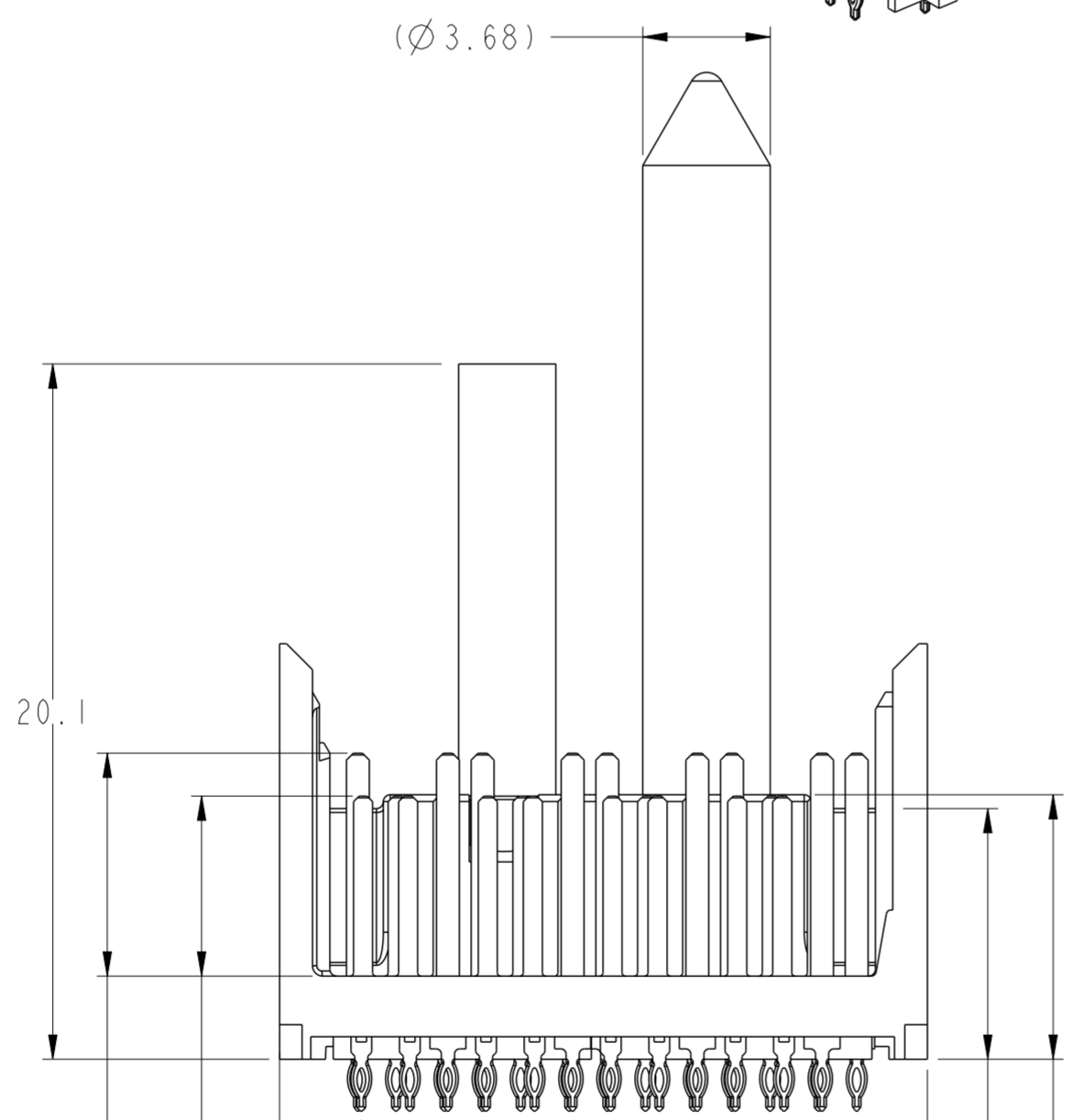
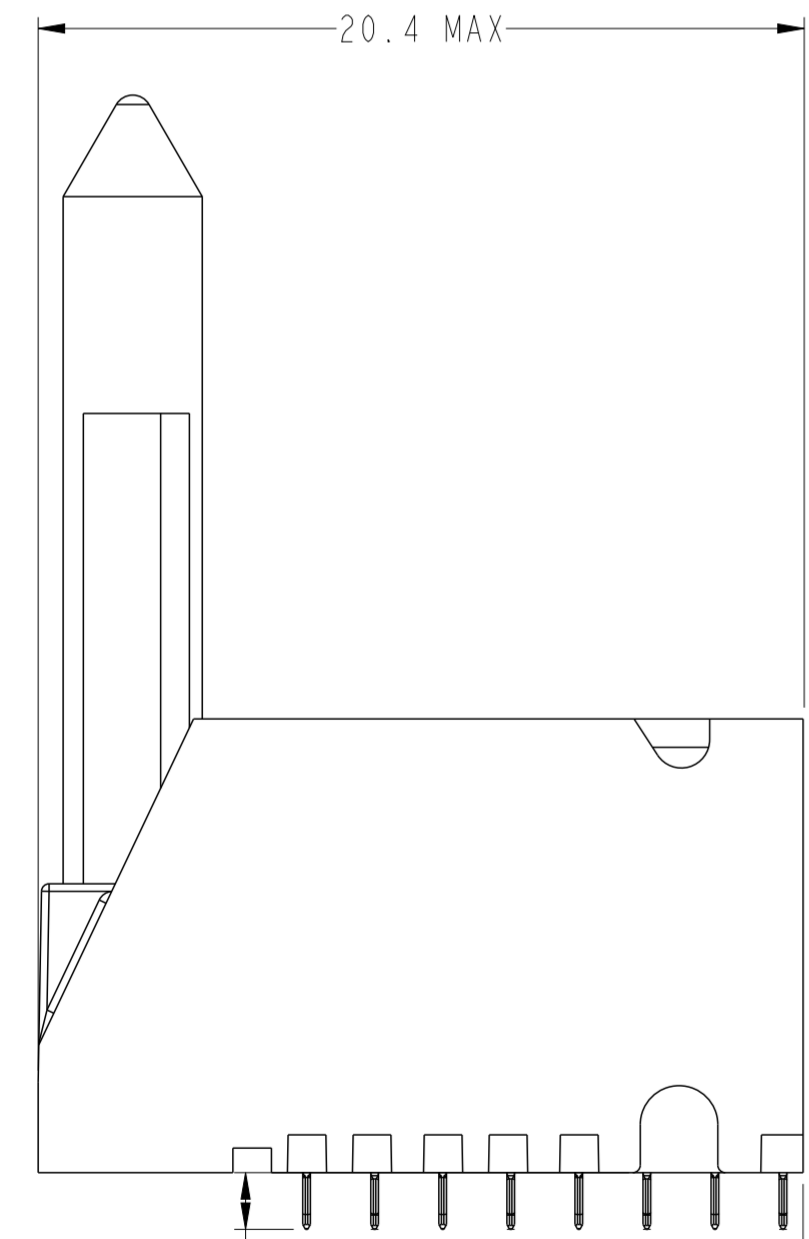
MODULE OUTLINE  
PIN A1 HOLE



SEE DETAIL A  
On Sheet 8 For Details



RIGHT POLARIZING/GUIDE MOUDLE



(1.5)  
Tail Length

(5.2)  
For 3MM Wipe Signal  
(4.2)  
For 2MM Wipe Signal  
(6.4)  
For 4MM Wipe Ground  
(5.4)  
For 3MM Wipe Ground

|               |                                       |         |               |  |                |                    |          |                        |              |          |   |
|---------------|---------------------------------------|---------|---------------|--|----------------|--------------------|----------|------------------------|--------------|----------|---|
| spec ref      | -                                     | dr      | Collins Lu    | 2011/07/27   | projection     | mm                 | size     | A2                     | scale        | 1:1      |   |
| tolerance std | ISO 406<br>ISO 1101                   | eng     | Sandar Soe    | 2016/03/07   | chr            | -                  | ecn no   | ELX-S-17624-1          | rel level    | Released |   |
| surface       | ISO 1302                              | appr    | Chen-Hong Tan | 2016/03/17   | product family | -                  | cat. no. | Product - Customer Drw | sheet 7 of 8 | rev      | E |
| linear        | 0.X ±0.3<br>0.XX ±0.10<br>0.XXX ±0.05 | angular | 0° ±2°        | <b>Amphenol FCI</b><br>MODULE ASSEMBLY, XCEDE HD<br>Vertical Header, 4 Pair 8 Column |                | dwg no<br>10115091 |          |                        |              |          |   |

PDS: Rev :E

STATUS:Released

Printed: Mar 17, 2016

Amphenol  
FCi

© 2016 AFCi



DETAIL A  
SCALE 12:1

| TABLE 3 |   |   |
|---------|---|---|
|         | COMPLIANT PIN<br>DRILL $\varnothing 0.55 [0.0217"]$ | COMPLIANT PIN<br>DRILL $\varnothing 0.45 [0.0177"]$ |
| PTH     | $\varnothing 0.45 \pm 0.05$                         | $\varnothing 0.36 \pm 0.05$                         |
| DRILL   | $\varnothing 0.55 [0.0217"]$                        | $\varnothing 0.45 [0.0177"]$                        |
| PAD     | $\varnothing 0.85$                                  | $\varnothing 0.75$                                  |

NOTES:

- CONNECTOR MATERIALS  
SHROUD : HIGH-TEMP POLYMER, COLOR : BLACK, UL94V-0  
CONTACTS : HIGH PERFORMANCE COPPER ALLOY
- PRODUCT SPECIFICATION : GS-12-0936
- APPLICATION SPECIFICATION : GS-20-0348
- PRODUCT MARKING :  
PART NUMBER (10115091-XOE-XXXLF)  
"FCI" AND DATE CODE (FCI P#####)
- NOTCH DESIGNATES "ROW A" SIDE OF CONNECTOR. NOTCH FEATURE ON OPPOSITE FOR PRODUCT MARKING.
- PLATING THICKNESS OF SIGNAL & GROUND CONTACT ARE DETERMINED BY PLATING CODE, REFER TO P/N TREE ON SHEET 1.
- PACKAGING MEETS GS-14-920 LEAD-FREE LABELING SPECIFICATION.
- GUIDE-PIN STYLE DESIGNATION ONLY APPLIES TO MODULE VERSIONS THAT REQUIRE GUIDE-PIN HARDWARE. FOR ALL NON-GUIDE-PIN VERSIONS, THE DEFAULT DASH-NUMBER DIGIT IN THAT LOCATION IS STILL "0".
- SEE APPLICATION SPECIFICATION FOR ROUTING GUIDELINES, ADDITIONAL PTH GUIDELINES, MATED DIMENSIONS, GUIDE PIN SELECTION, ETC.
- A  $\triangle$  SYMBOL WILL BE NEXT TO ANY DIMENSION, VIEW OR NOTE THAT HAS BEEN MODIFIED WITH THE CURRENT DRAWING REVISION.
- OPTIONAL HOLE LOCATION FOR GROUNDED PIN OR ADDITIONAL GUIDE-PIN SUPPORT. SEE TABLE 1 SHEET 1 FOR ADDITIONAL DETAILS.
- SCREW IS OPTIONAL AND ENGAGES WITH BOTTOM OF GUIDE PIN FROM BENEATH THE PCB FOR ADDITIONAL GUIDE-PIN SUPPORT.

Amphenol  
FCi

© 2016 AFci

|               |                                       |         |            |             |            |    |                        |               |       |   |
|---------------|---------------------------------------|---------|------------|-------------|------------|----|------------------------|---------------|-------|---|
| spec ref      | -                                     | dr      | Collins Lu | 2011/07/27  | projection | mm | size                   | A2            | scale | 1:1   |
| tolerance std | ISO 406<br>ISO 1101                   | eng     | Sandar Soe | 2016/03/07  |            |    | ecn no                 | ELX-S-17624-1 |       | MODULE ASSEMBLY, XCEDE HD<br>Vertical Header, 4 Pair 8 Column |
| surface       | ISO 1302                              | chr     | -          | appr        |            |    | Chen-Hong Tan          | 2016/03/17    |       |   |
| linear        | 0.X ±0.3<br>0.XX ±0.10<br>0.XXX ±0.05 | angular | 0° ±2°     | www.fci.com | cat. no.   | -  | Product - Customer Drw | sheet 8 of 8  | rev   | E   |



## Данный компонент на территории Российской Федерации

### Вы можете приобрести в компании MosChip.

Для оперативного оформления запроса Вам необходимо перейти по данной ссылке:

<http://moschip.ru/get-element>

Вы можете разместить у нас заказ для любого Вашего проекта, будь то серийное производство или разработка единичного прибора.

В нашем ассортименте представлены ведущие мировые производители активных и пассивных электронных компонентов.

Нашей специализацией является поставка электронной компонентной базы двойного назначения, продукции таких производителей как XILINX, Intel (ex.ALTERA), Vicor, Microchip, Texas Instruments, Analog Devices, Mini-Circuits, Amphenol, Glenair.

Сотрудничество с глобальными дистрибьюторами электронных компонентов, предоставляет возможность заказывать и получать с международных складов практически любой перечень компонентов в оптимальные для Вас сроки.

На всех этапах разработки и производства наши партнеры могут получить квалифицированную поддержку опытных инженеров.

Система менеджмента качества компании отвечает требованиям в соответствии с ГОСТ Р ИСО 9001, ГОСТ РВ 0015-002 и ЭС РД 009

### Офис по работе с юридическими лицами:

105318, г.Москва, ул.Щербаковская д.3, офис 1107, 1118, ДЦ «Щербаковский»

Телефон: +7 495 668-12-70 (многоканальный)

Факс: +7 495 668-12-70 (доб.304)

E-mail: [info@moschip.ru](mailto:info@moschip.ru)

Skype отдела продаж:

moschip.ru

moschip.ru\_4

moschip.ru\_6

moschip.ru\_9