

***RoHS Recast Compliant***

# **SATA-Disk Module 5A**

***SDM5A 7P/180D Low Profile Product Specifications***

**January 18, 2016**

***Version 1.0***



***Apacer Technology Inc.***

1F, No.32, Zhongcheng Rd., Tucheng Dist., New Taipei City, Taiwan, R.O.C

Tel: +886-2-2267-8000 Fax: +886-2-2267-2261

[www.apacer.com](http://www.apacer.com)

## Features:

- **Standard Serial ATA 3.1 Revision**
  - SATA 6.0 Gbps interface
  - ATA-8 command set
  - Backward compatible with SATA 1.5/3.0 Gbps
- **Capacity**
  - Standard Type: 1, 2, 4, 8, 16 GB
  - High-Speed Type: 8, 16, 32 GB (available in cable-less type only)
- **Performance\***
  - Burst read/write: 600 MB/sec
  - Standard Type:
    - Sustained read: up to 34 MB/sec
    - Sustained write: up to 55 MB/sec
  - High-Speed Type:
    - Sustained read: up to 435 MB/sec
    - Sustained write: up to 215 MB/sec
- **Flash Management**
  - Built-in hardware ECC
  - Static/dynamic wear-leveling
  - Flash bad-block management
  - S.M.A.R.T.
  - Power failure management
  - ATA secure erase
- **NAND Flash Type: SLC**
- **MTBF: >2,000,000 hours**
- **Temperature Range**
  - Operating:
    - Standard: 0°C to 70°C
    - Extended: -40°C to 85°C
  - Storage: -40°C to 100°C
- **Supply Voltage**
  - 5.0 V  $\pm$  5%
- **Power Consumption\***
  - Standard Type:
    - Active mode: 165 mA
    - Idle mode: 65 mA
  - High-Speed Type:
    - Active mode: 260 mA
    - Idle mode: 60 mA
- **Connector Type**
  - 7-pin SATA signal connector
- **Form Factor**
  - SATA Disk Module: 7-pin/180 degree
  - Dimensions (without housing):
    - 30.00x27.80x8.20, unit: mm\*\*
    - 30.00x27.80x7.40, unit: mm\*\*\*
  - Dimensions (with housing):
    - 32.50x29.40x8.53, unit: mm
- **Shock & Vibration\*\*\*\***
  - Shock: 1,500 G
  - Vibration: 15 G
- **RoHS Recast Compliant**
  - Complies with 2011/65/EU standard

\*Varies from capacities. The values for performances and power consumptions presented are typical and may vary depending on flash configurations or platform settings. The term idle refers to the standby state of the device.

\*\*Standard type

\*\*\*High-speed type

\*\*\*\*Non-operating

---

## Table of Contents

<b>1. GENERAL DESCRIPTIONS.....</b>	<b>3</b>
<b>2. PIN ASSIGNMENTS .....</b>	<b>3</b>
<b>3. PRODUCT SPECIFICATIONS.....</b>	<b>5</b>
3.1 CAPACITY .....	5
3.2 PERFORMANCE .....	5
3.3 ENVIRONMENTAL SPECIFICATIONS .....	6
3.4 MEAN TIME BETWEEN FAILURES (MTBF) .....	6
3.5 CERTIFICATION AND COMPLIANCE .....	6
<b>4. FLASH MANAGEMENT .....</b>	<b>7</b>
4.1 ERROR CORRECTION/DETECTION .....	7
4.2 BAD BLOCK MANAGEMENT .....	7
4.3 WEAR LEVELING .....	7
4.4 POWER FAILURE MANAGEMENT.....	7
4.5 ATA SECURE ERASE .....	7
4.6 SATA POWER MANAGEMENT .....	8
<b>5. SOFTWARE INTERFACE .....</b>	<b>9</b>
5.1 COMMAND SET .....	9
5.2 S.M.A.R.T.....	9
<b>6. ELECTRICAL SPECIFICATIONS .....</b>	<b>11</b>
<b>7. PHYSICAL CHARACTERISTICS.....</b>	<b>12</b>
7.1 STANDARD.....	12
7.1.1 W/O Housing .....	12
7.1.2 With Housing .....	13
7.2 HIGH-SPEED.....	14
7.2.1 W/O Housing .....	14
7.2.2 W/Housing .....	15
<b>8. PRODUCT ORDERING INFORMATION.....</b>	<b>16</b>
8.1 PRODUCT CODE DESIGNATIONS .....	16
8.2 VALID COMBINATIONS .....	17

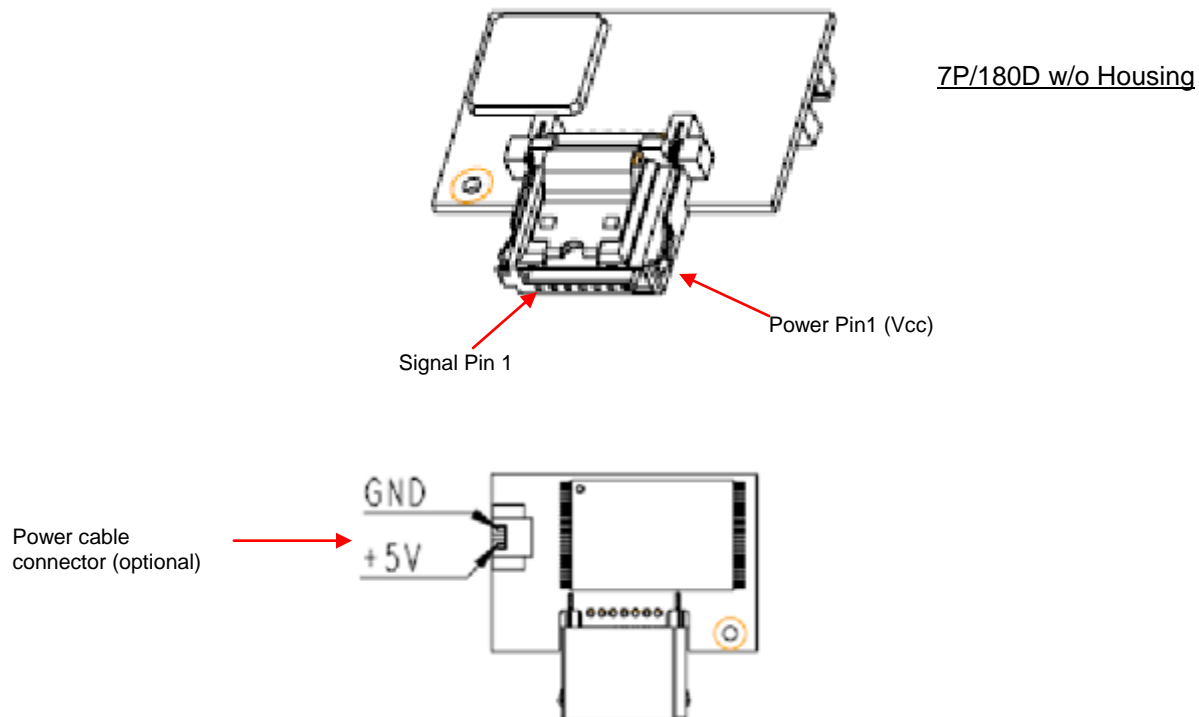
## 1. General Descriptions

Apacer's SDM5A (SATA Disk Module 5A) is our next generation disk-on-module (DOM) series that offers elevated speed boost and higher error correction capabilities. Built with SATA 6.0 Gb/s interface, SDM5A delivers higher performance in data transfer than its previous SDM selections, reaching up to 435 MB/s in read and 215 MB/s in write.

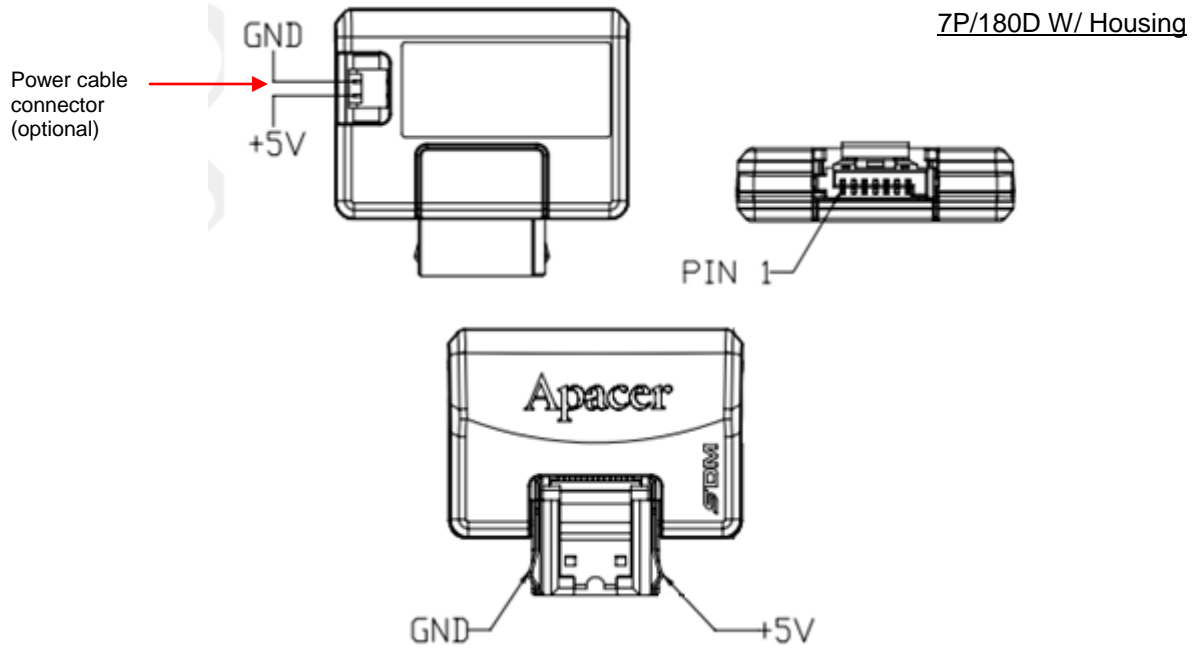
With its SATA interface compliance and compact size, this high-speed disk module defines an ideal balance of performance, capacities, reliability and cost. SDM5A comes in moderate capacities that are suitable to boot industrial applications and light operating systems for specific operations, while with some extra memory space for data storage. The architectural nature of SATA disk module provides higher resistance to external environmental influences and better flexibility for motherboard space.

Regarding data reliability, SDM5A is built in with powerful ECC engine that can correct up to 40 bits per 1KB data. In addition, the controller unit of this DOM device supports wear-leveling, SMART and power failure management for data integrity. With its trustable reliability, performance and cost effectiveness, Apacer's SDM5A is definitely the ideal storage or cache solution for embedded and industrial computers, servers and thin clients.

## 2. Pin Assignments



# SATA-Disk Module 5A APSDMxxxGX2AX-CTXX



**Table 2-1** Signal Segment

Pin	Type	Description
S1	GND	
S2	RxP	+ Differential Receive Signal
S3	RxN	- Differential Receive Signal
S4	GND	
S5	TxN	- Differential Transmit Signal
S6	TxP	+ Differential Transmit Signal
S7	GND	

**Table 2-2** Power Segment

Pin	Signal/Description
P1	VCC (5V)
P2	GND

## 3. Product Specifications

### 3.1 Capacity

Capacity specifications of SDM5A are available as shown in Table 3-1. It lists the specific capacity and the default numbers of heads, sectors and cylinders for each product line.

Table 3-1 Capacity Specifications

Capacity	Total bytes*	Cylinders	Heads	Sectors	Max LBA
1 GB	1,011,032,064	1,959	16	63	1,974,672
2 GB	2,011,226,112	3,897	16	63	3,928,176
4 GB	4,011,614,208	7,773	16	63	7,835,184
8 GB	8,012,390,400	15,525	16	63	15,649,200
16 GB	16,013,942,784	16,383	16	63	31,277,232
32 GB	32,017,047,552	16,383	16	63	62,533,296

\*Display of total bytes varies from file systems, which means not all of the bytes can be used for storage.

\*\*Notes: 1 GB = 1,000,000,000 bytes; 1 sector = 512 bytes.

LBA count addressed in the table above indicates total user storage capacity and will remain the same throughout the lifespan of the device. However, the total usable capacity of the SSD is most likely to be less than the total physical capacity because a small portion of the capacity is reserved for device maintenance usages.

### 3.2 Performance

Performance of SDM5A is listed below in Table 3-2 and 3-3.

Table 3-2 Performance (Standard)

Capacity \ Performance	1 GB	2 GB	4 GB	8 GB	16 GB
Sustained read (MB/s)	31	34	33	34	34
Sustained write (MB/s)	15	29	34	55	55

Table 3-3 Performance (High-Speed)

Capacity \ Performance	8 GB	16 GB	32 GB
Sustained read (MB/s)	365	435	435
Sustained write (MB/s)	115	200	215

Note: Results may differ from various flash configurations or host system setting.

---

### 3.3 Environmental Specifications

---

Environmental specifications of SDM5A product follow MIL-STD-810 standards as shown in Table 3-4.

**Table 3-4** SDM5A Environmental Specifications

Item	Specifications
Operating temp.	0°C to 70°C (Standard); -40°C to 85°C (Extended)
Non-operating temp.	-40°C to 100°C
Operating vibration	20~2000(Hz), 7.69 (Grms), random wave, X, Y, Z axis
Non-operating vibration	10~2000(Hz), 15(G), sine wave, X, Y, Z axis
Operating shock	50(G), 11(ms), half-sine wave
Non-operating shock	1,500(G), 0.5(ms), half-sine wave

### 3.4 Mean Time Between Failures (MTBF)

---

Mean Time Between Failures (MTBF) is predicted based on reliability data for the individual components in SDM5A. The prediction result for SDM5A is more than 2,000,000 hours.

Notes about the MTBF:

The MTBF is predicated and calculated based on “Telcordia Technologies Special Report, SR-332, Issue 2” method.

### 3.5 Certification and Compliance

---

SDM5A complies with the following standards:

- CE
- FCC
- RoHS Recast
- MIL-STD-810

---

## 4. Flash Management

### 4.1 Error Correction/Detection

---

SDM5A implements a hardware ECC scheme, based on the BCH algorithm. It can detect and correct up to 40-bit error in 1K bytes.

### 4.2 Bad Block Management

---

Current production technology is unable to guarantee total reliability of NAND flash memory array. When a flash memory device leaves factory, it comes with a minimal number of initial bad blocks during production or out-of-factory as there is no currently known technology that produce flash chips free of bad blocks. In addition, bad blocks may develop during program/erase cycles. When host performs program/erase command on a block, bad block may appear in Status Register. Since bad blocks are inevitable, the solution is to keep them in control. Apacer flash devices are programmed with ECC, block mapping technique and S.M.A.R.T to reduce invalidity or error. Once bad blocks are detected, data in those blocks will be transferred to free blocks and error will be corrected by designated algorithms.

### 4.3 Wear Leveling

---

Flash memory devices differ from Hard Disk Drives (HDDs) in terms of how blocks are utilized. For HDDs, when a change is made to stored data, like erase or update, the controller mechanism on HDDs will perform overwrites on blocks. Unlike HDDs, flash blocks cannot be overwritten and each P/E cycle wears down the lifespan of blocks gradually. Repeatedly program/erase cycles performed on the same memory cells will eventually cause some blocks to age faster than others. This would bring flash storages to their end of service term sooner. Wear leveling is an important mechanism that level out the wearing of blocks so that the wearing-down of blocks can be almost evenly distributed. This will increase the lifespan of SSDs. Commonly used wear leveling types are Static and Dynamic.

### 4.4 Power Failure Management

---

Power Failure Management plays a crucial role when experiencing unstable power supply. Power disruption may occur when users are storing data into the SSD. In this urgent situation, the controller would run multiple write-to-flash cycles to store the metadata for later block rebuilding. This urgent operation requires about several milliseconds to get it done. At the next power up, the firmware will perform a status tracking to retrieve the mapping table and resume previously programmed NAND blocks to check if there is any incompleteness of transmission.

### 4.5 ATA Secure Erase

---

ATA Secure Erase is an ATA disk purging command currently embedded in most of the storage drives. Defined in ATA specifications, (ATA) Secure Erase is part of Security Feature Set that allows storage drives to erase all user data areas. The erase process usually runs on the firmware level as most of the ATA-based storage media currently in the market are built-in with this command. ATA Secure Erase can securely wipe out the user data in the drive and protects it from malicious attack.



---

## **4.6 SATA Power Management**

---

By complying with SATA 6.0 Gb/s specifications, the SSD supports the following SATA power saving modes:

- ACTIVE: PHY ready, full power, Tx & Rx operational
- PARTIAL: Reduces power, resumes in under 10  $\mu$ s (microseconds)
- SLUMBER: Reduces power, resumes in under 10 ms (milliseconds)
- HIPM: Host-Initiated Power Management
- DIPM: Device-Initiated Power Management
- AUTO-SLUMBER: Automatic transition from partial to slumber.

Note: The behaviors of power management features would depend on host/device settings.

## 5. Software Interface

### 5.1 Command Set

Table 5-1 Command Set

Code	Command	Code	Command
E5h	Check Power Mode	F3h	Security Erase Prepare
06h	Data Set Management	F4h	Security Erase Unit
90h	Execute Device Diagnostic	F5h	Security Freeze Lock
E7h	Flush Cache	F1h	Security Set Password
EAh	Flush Cache EXT	F2h	Security Unlock
ECh	Identify Device	70h	Seek
E3h	Idle	EFh	Set Features
E1h	Idle Immediate	C6h	Set Multiple Mode
91h	Initialize Device Parameters	E6h	Sleep
C8h	Read DMA	B0h	SMART
25h	Read DMA EXT	E2h	Standby
C4h	Read Multiple	E0h	Standby Immediate
29h	Read Multiple EXT	CAh	Write DMA
20h	Read Sector	35h	Write DMA EXT
24h	Read Sector EXT	C5h	Write Multiple
40h	Read Verify Sectors	39h	Write Multiple EXT
42h	Read Verify Sectors EXT	30h	Write Sector
10h	Recalibrate	34h	Write Sector EXT
F6h	Security Disable Password		

### 5.2 S.M.A.R.T.

S.M.A.R.T. is an abbreviation for Self-Monitoring, Analysis and Reporting Technology, a self-monitoring system that provides indicators of drive health as well as potential disk problems. It serves as a warning for users from unscheduled downtime by monitoring and displaying critical drive information. Ideally, this should allow taking proactive actions to prevent drive failure and make use of S.M.A.R.T. information for future product development reference.

Apacer devices use the standard SMART command B0h to read data out from the drive to activate our S.M.A.R.T. feature that complies with the ATA/ATAPI specifications. S.M.A.R.T. Attribute IDs shall include initial bad block count, total later bad block count, maximum erase count, average erase count, power on hours and power cycle. When the S.M.A.R.T. Utility running on the host, it analyzes and reports the disk status to the host before the device reaches in critical condition.

Note: attribute IDs may vary from product models due to various solution design and supporting capabilities.

## SATA-Disk Module 5A APSDMxxxGX2AX-CTXX

Apacer memory products come with S.M.A.R.T. commands and subcommands for users to obtain information of drive status and to predict potential drive failures. Users can take advantage of the following commands/subcommands to monitor the health of the drive.

Code	SMART Subcommand
D0h	READ DATA
D1h	READ ATTRIBUTE THRESHOLDS
D2h	Enable/Disable Attribute Autosave
D4h	Execute Off-line Immediate
D5h	Read Log (optional)
D6h	Write Log (optional)
D8h	Enable Operations
D9h	Disable operations
DAh	Return Status

### General SMART attribute structure

Byte	Description
0	ID (Hex)
1 – 2	Status flag
3	Value
4	Worst
5*-11	Raw Data

\*Byte 5: LSB

### SMART attribute ID list

ID (Hex)	Attribute Name	Note
9 (0x09)	Power-on hours	General
12 (0x0C)	Power cycle count	General
163 (0xA3)	Max. erase count	General
164 (0xA4)	Avg. erase count	General
166 (0xA6)	Total later bad block count	General
167 (0xA7)	SSD Protect Mode	0: R/W, 3: Read Only
168 (0xA8)	SATA PHY Error Count	Command Fail Count
175 (0xAF)	Bad Cluster Table Count	ECC Fail Count
192 (0xC0)	Unexpected Power Loss Count	ATA Standby Command
194 (0xC2)	Temperature	PCB Temperature
241 (0xF1)	Total sectors of write	LBA

## 6. Electrical Specifications

**Caution: Absolute Maximum Stress Ratings** – Applied conditions greater than those listed under “Absolute Maximum Stress Ratings” may cause permanent damage to the device. This is a stress rating only and functional operation of the device at these conditions or conditions greater than those defined in the operational sections of this data sheet is not implied. Exposure to absolute maximum stress rating conditions may affect device reliability.

**Table 6-1** Operating Range

Item	Range
Supply Voltage	5V ± 5% (4.75-5.25V)

**Table 6-2** Typical Power Consumption (Standard)

Modes \ Capacity	1 GB	2 GB	4 GB	8 GB	16 GB
Active (mA)	135	150	135	155	165
Idle (mA)	65	65	65	65	65

**Table 6-3** Typical Power Consumption (High-Speed)

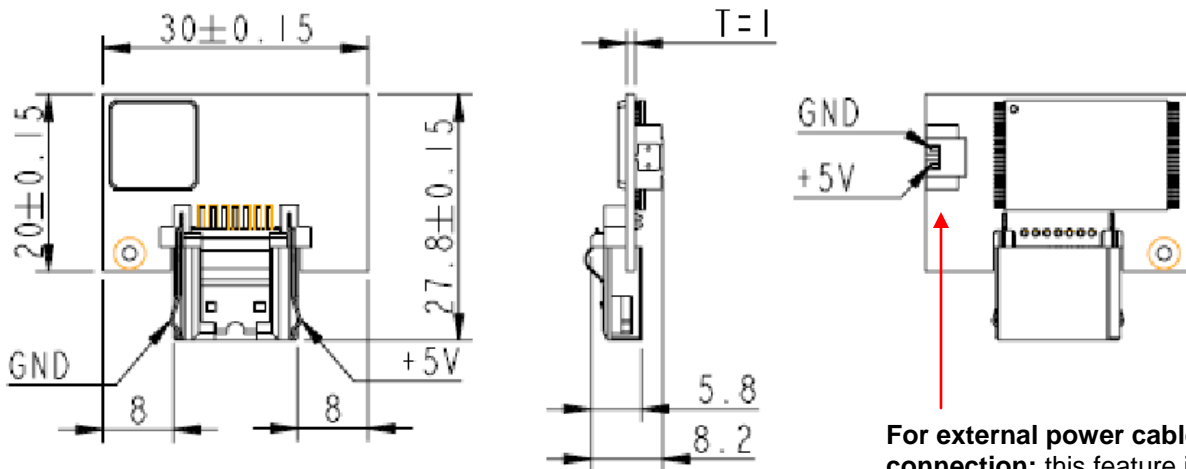
Modes \ Capacity	8 GB	16 GB	32 GB
Active (mA)	220	245	260
Idle (mA)	60	60	60

Note: Results may differ from various flash configurations or host system setting.

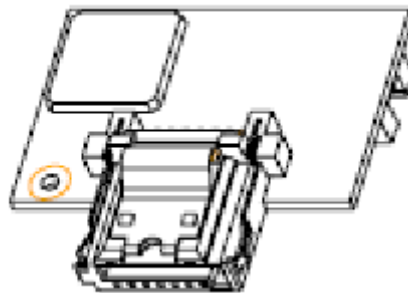
## 7. Physical Characteristics

### 7.1 Standard

#### 7.1.1 W/O Housing



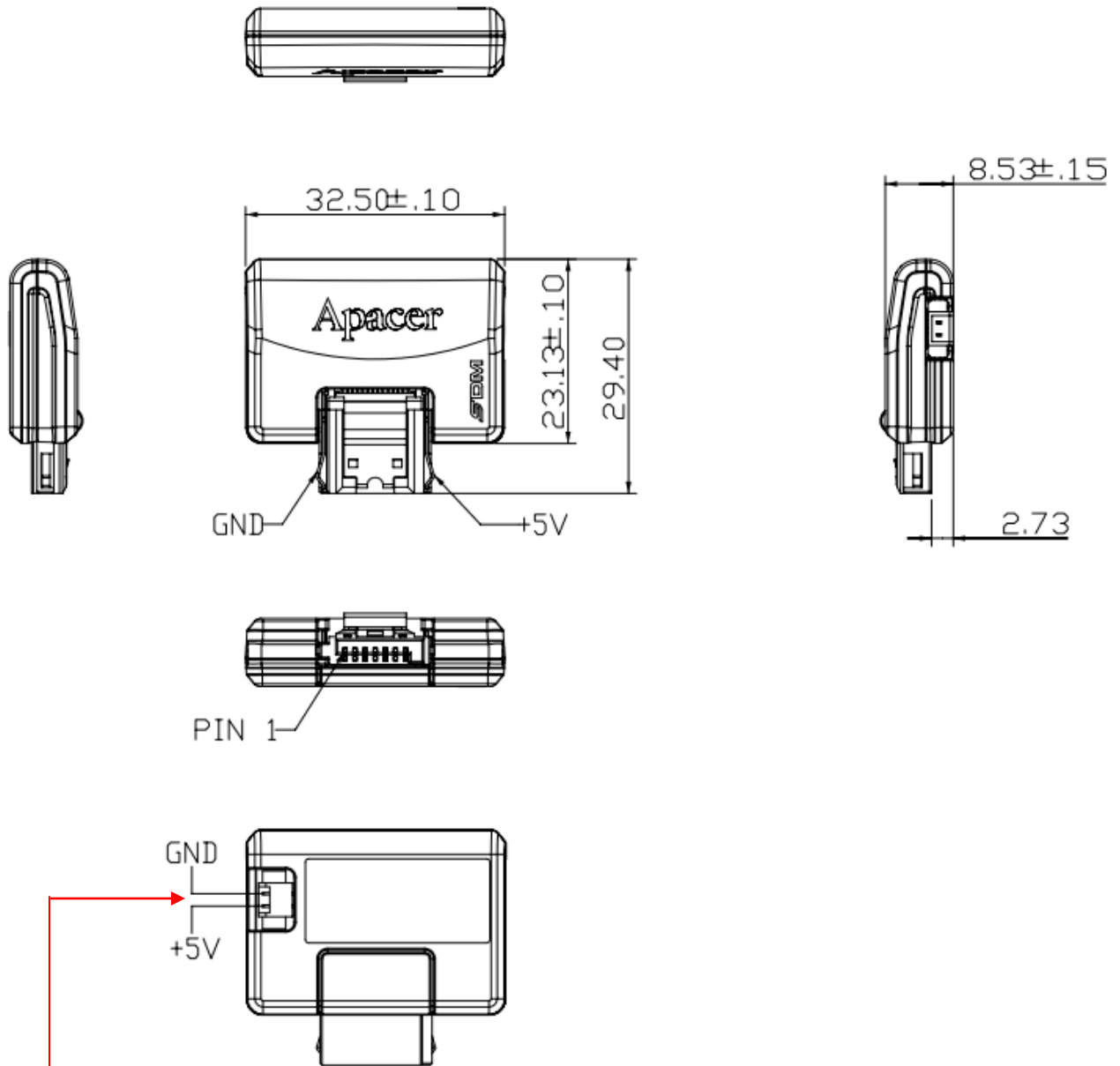
**For external power cable connection:** this feature is available as an option for Standard Type.



Unit: mm  
Tolerance:  $\pm 0.25$

# SATA-Disk Module 5A APSDMxxxGX2AX-CTXX

## 7.1.2 With Housing



**For external power cable connection:** this feature is available as an option for Standard Type.

Unit: mm  
Tolerance:  $\pm 0.25$

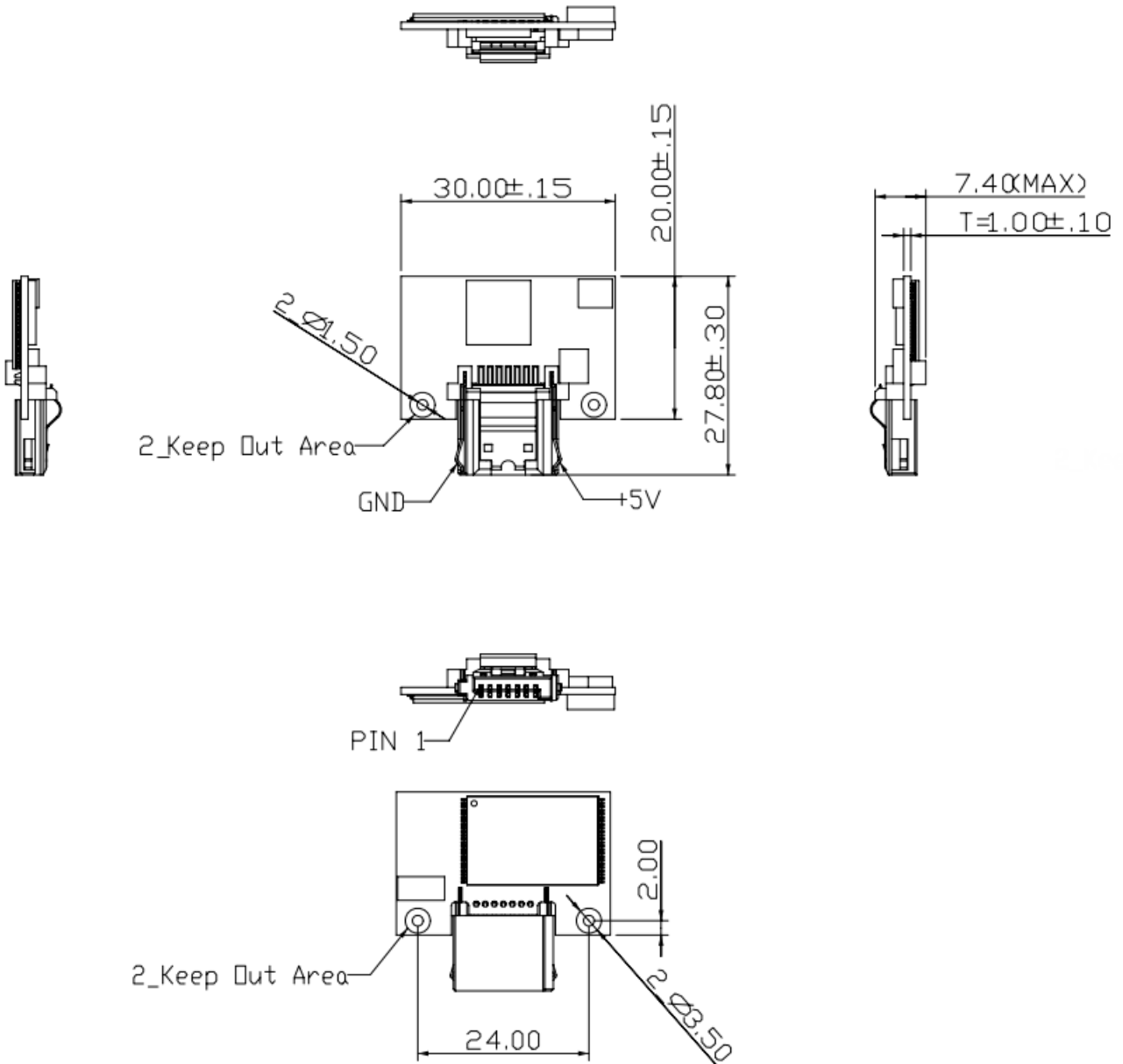
# SATA-Disk Module 5A APSDMxxxGX2AX-CTXX



## 7.2 High-speed

Please be noted that High-speed type comes in only power cable-less form.

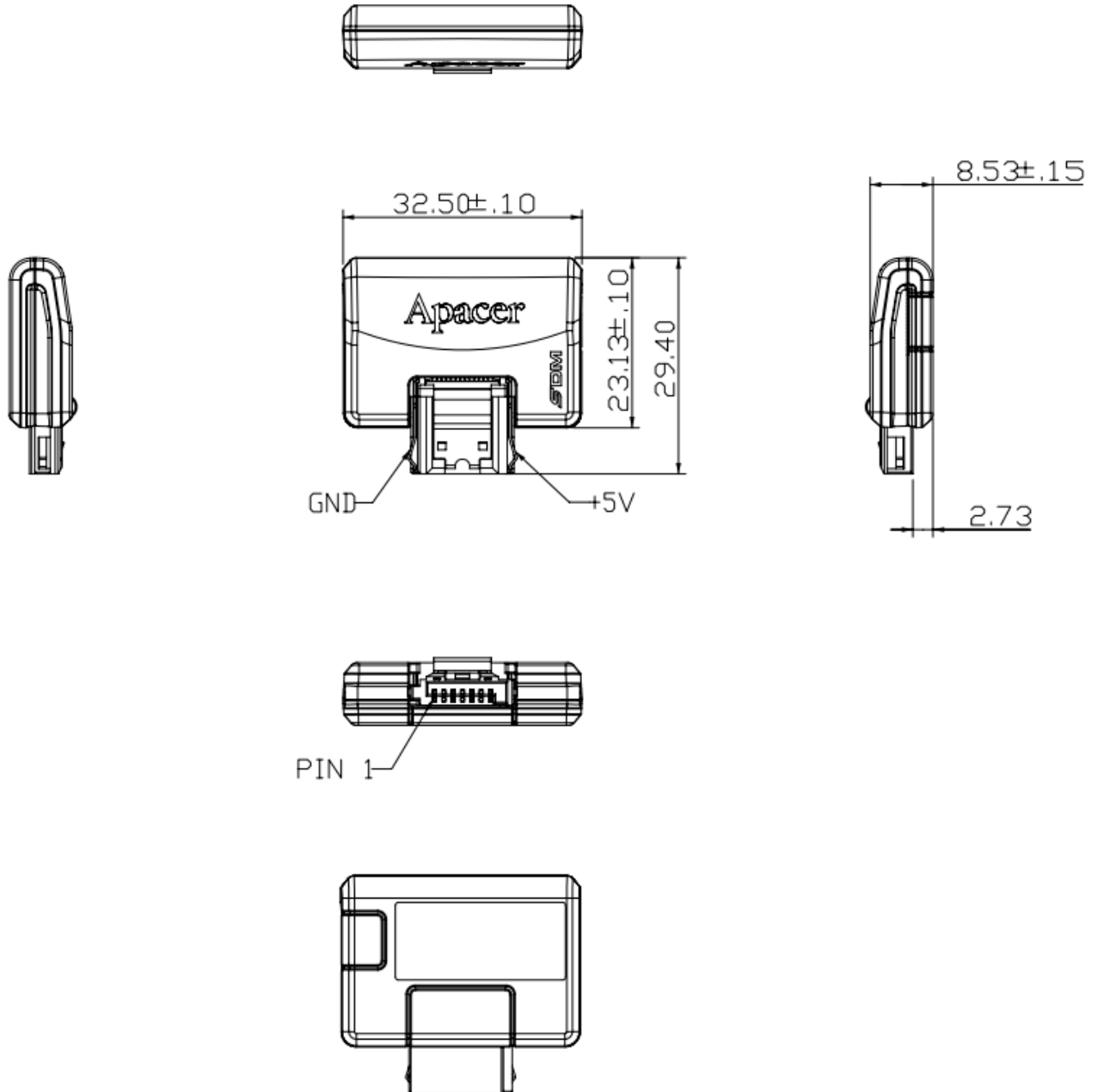
### 7.2.1 W/O Housing



Unit: mm  
Tolerance:  $\pm 0.25$

**SATA-Disk Module 5A**  
**APSDMxxxGX2AX-CTXX**

**7.2.2 W/Housing**

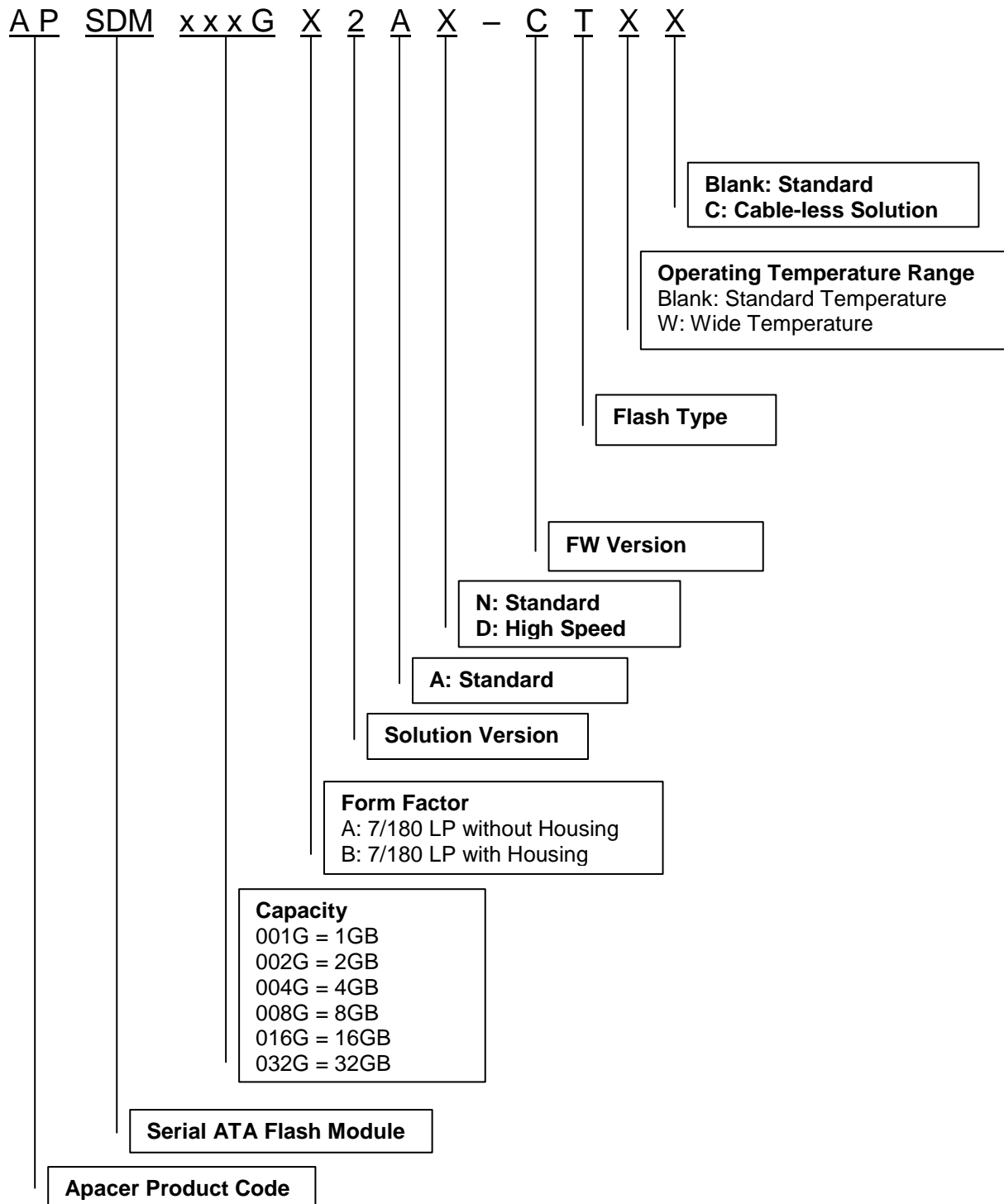


Unit: mm  
Tolerance:  $\pm 0.25$



## 8. Product Ordering Information

### 8.1 Product Code Designations



## 8.2 Valid Combinations

### 8.2.1 Standard (LP) 180D w/o Housing (7pin)

Capacity	Standard Temp.	Extended Temp.
1GB	APSDM001GA2AN-CT	APSDM001GA2AN-CTW
2GB	APSDM002GA2AN-CT	APSDM002GA2AN-CTW
4GB	APSDM004GA2AN-CT	APSDM004GA2AN-CTW
8GB	APSDM008GA2AN-CT	APSDM008GA2AN-CTW
16GB	APSDM016GA2AN-CT	APSDM016GA2AN-CTW

### 8.2.2 Standard (LPH) 180D with Housing (7pin)

Capacity	Standard Temp.	Extended Temp.
1GB	APSDM001GB2AN-CT	APSDM001GB2AN-CTW
2GB	APSDM002GB2AN-CT	APSDM002GB2AN-CTW
4GB	APSDM004GB2AN-CT	APSDM004GB2AN-CTW
8GB	APSDM008GB2AN-CT	APSDM008GB2AN-CTW
16GB	APSDM016GB2AN-CT	APSDM016GB2AN-CTW

### 8.2.3 High-Speed (LP) 180D w/o Housing (7pin)

Capacity	Standard Temp.	Extended Temp.
8GB	APSDM008GA2AD-CTC	APSDM008GA2AD-CTWC
16GB	APSDM016GA2AD-CTC	APSDM016GA2AD-CTWC
32GB	APSDM032GA2AD-CTC	APSDM032GA2AD-CTWC

### 8.2.4 High-Speed (LPH) 180D with Housing (7pin) LP

Capacity	Standard Temp.	Extended Temp.
8GB	APSDM008GB2AD-CTC	APSDM008GB2AD-CTWC
16GB	APSDM016GB2AD-CTC	APSDM016GB2AD-CTWC
32GB	APSDM032GB2AD-CTC	APSDM032GB2AD-CTWC

**Note:** Valid combinations are those products in mass production or will be in mass production. Consult your Apacer sales representative to confirm availability of valid combinations and to determine availability of new combinations.

---

## Revision History

Revision	Date	Description	Remark
1.0	1/18/2016	Official release	

---

## Global Presence

<b>Taiwan (Headquarters)</b>	<b>Apacer Technology Inc.</b> Apacer Technology Inc. 1F., No.32, Zhongcheng Rd., Tucheng Dist., New Taipei City 236, Taiwan R.O.C. Tel: 886-2-2267-8000 Fax: 886-2-2267-2261 <a href="mailto:amtsales@apacer.com">amtsales@apacer.com</a>
<b>U.S.A.</b>	<b>Apacer Memory America, Inc.</b> 46732 Lakeview Blvd., Fremont, CA 94538 Tel: 1-408-518-8699 Fax: 1-510-249-9568 <a href="mailto:sa@apacerus.com">sa@apacerus.com</a>
<b>Japan</b>	<b>Apacer Technology Corp.</b> 5F, Matsura Bldg., Shiba, Minato-Ku Tokyo, 105-0014, Japan Tel: 81-3-5419-2668 Fax: 81-3-5419-0018 <a href="mailto:jpservices@apacer.com">jpservices@apacer.com</a>
<b>Europe</b>	<b>Apacer Technology B.V.</b> Science Park Eindhoven 5051 5692 EB Son, The Netherlands Tel: 31-40-267-0000 Fax: 31-40-267-0000#6199 <a href="mailto:sales@apacer.nl">sales@apacer.nl</a>
<b>China</b>	<b>Apacer Electronic (Shanghai) Co., Ltd</b> Room D, 22/FL, No.2, Lane 600, JieyunPlaza, Tianshan RD, Shanghai, 200051, China Tel: 86-21-6228-9939 Fax: 86-21-6228-9936 <a href="mailto:sales@apacer.com.cn">sales@apacer.com.cn</a>
<b>India</b>	<b>Apacer Technologies Pvt Ltd,</b> Unit No.201, "Brigade Corner", 7 <sup>th</sup> Block Jayanagar, Yediyur Circle, Bangalore – 560082, India Tel: 91-80-4152-9061 Fax: 91-80-4170-0215 <a href="mailto:sales_india@apacer.com">sales_india@apacer.com</a>

## Данный компонент на территории Российской Федерации

### Вы можете приобрести в компании MosChip.

Для оперативного оформления запроса Вам необходимо перейти по данной ссылке:

<http://moschip.ru/get-element>

Вы можете разместить у нас заказ для любого Вашего проекта, будь то серийное производство или разработка единичного прибора.

В нашем ассортименте представлены ведущие мировые производители активных и пассивных электронных компонентов.

Нашей специализацией является поставка электронной компонентной базы двойного назначения, продукции таких производителей как XILINX, Intel (ex.ALTERA), Vicor, Microchip, Texas Instruments, Analog Devices, Mini-Circuits, Amphenol, Glenair.

Сотрудничество с глобальными дистрибьюторами электронных компонентов, предоставляет возможность заказывать и получать с международных складов практически любой перечень компонентов в оптимальные для Вас сроки.

На всех этапах разработки и производства наши партнеры могут получить квалифицированную поддержку опытных инженеров.

Система менеджмента качества компании отвечает требованиям в соответствии с ГОСТ Р ИСО 9001, ГОСТ РВ 0015-002 и ЭС РД 009

### Офис по работе с юридическими лицами:

105318, г.Москва, ул.Щербаковская д.3, офис 1107, 1118, ДЦ «Щербаковский»

Телефон: +7 495 668-12-70 (многоканальный)

Факс: +7 495 668-12-70 (доб.304)

E-mail: [info@moschip.ru](mailto:info@moschip.ru)

Skype отдела продаж:

moschip.ru

moschip.ru\_4

moschip.ru\_6

moschip.ru\_9