



ZCASE Single Mega/Starter Fuse

ZCASE Single MEGA/Starter Fuse

The Single ZCASE is a Minimal Footprint Bolt Down Fuse with a wide rating range up to 600A in the same packaging size. The Time Current characteristic is similar to the well known MEGA Design and can be used as full wire protection until 250A. Higher ratings mostly used for typically Starter Fuse application as a protector fuse. The fuse design is optimized for a one bolt connection M6 (40A - 250A) or M8 (300A - 600A) and can be used directly on a battery post or busbar connection. Littelfuse is offering a complete solution for the necessary stud and different busbar connections including some battery clamps.

Specifications

| | |
|------------------------|-------------------|
| Operating temperature: | -40 to 125°C |
| Housing Material: | PPA-GF33HS |
| Insulating Tube: | Out of ceramic |
| Terminal: | Tin plated Copper |
| Voltage Rating: | 32V DC |
| Interrupting Rating: | 2000A @ 32V VDC |
| Mounting Torque M6: | 9.8Nm±1.4Nm |
| Mounting Torque M8: | 14Nm±2Nm |

Ordering Information

| Part Number | Package Size |
|---------------|--------------|
| 3298XXX.ZXSTA | 480 |
| 3298XXX.Z | 480 |
| 3298XXX.H | 100 |

Time-Current Characteristics

| % of Rating | Opening Time Min / Max (s) | |
|-------------|----------------------------|---------------------------|
| | 40A - 250A | 300A - 600A |
| 50 | - / - | 14,400 / - |
| 100 | 14,400 / - | - / - |
| 135 | 120 / 1800 | - / - |
| 200 | 1 / 15 | 1 / 40 |
| 350 | 0.300 / 5 | 0.300 / 5 |
| 500 | - / - | 0.100 / 1 (only for 500A) |
| 600 | 0.100 / 1 | 0.100 / 1 (except 600A) |

Ratings

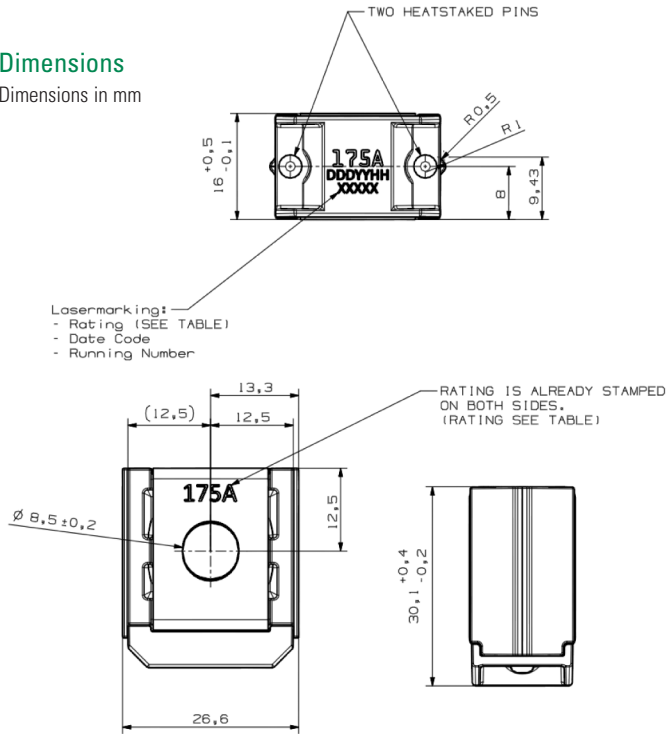
| Part number | Current Rating (A) | Wire size (mm ²) | Max. Voltage Drop (mV) | Average Cold Resistance (mΩ) | I ² t (A ² s) |
|---------------|--------------------|------------------------------|------------------------|------------------------------|-------------------------------------|
| 3298040_ | 40 | 4 | 110 | 1.53 | 5000 |
| 3298060_ | 60 | 6 | 110 | 0.98 | 18000 |
| 3298080_ | 80 | 10 | 110 | 0.715 | 15500 |
| 3298100_ | 100 | 16 | 110 | 0.57 | 31000 |
| 3298125_ | 125 | 16 | 110 | 0.39 | 45000 |
| 3298150_ | 150 | 25 | 110 | 0.32 | 75000 |
| 3298175_ | 175 | 25 | 110 | 0.26 | 140000 |
| 3298200_ | 200 | 35 | 110 | 0.231 | 235000 |
| 3298225_ | 225 | 35 | 110 | 0.175 | 95000 |
| 3298250_ | 250 | 50 | 110 | 0.167 | 160000 |
| 3298300.ZXSTA | 300 | 35 | 70 | 0.128 | 310000 |
| 3298350.ZXSTA | 350 | 35 | 70 | 0.103 | 570000 |
| 3298400.ZXSTA | 400 | 50 | 70 | 0.084 | 870000 |
| 3298500.ZXSTA | 500 | 50 | 70 | 0.065 | 1550000 |
| 3298600.ZXSTA | 600 | 50 | 70 | 0.049 | 3000000 |
| 3298900_ | SHUNT | 50 | - | - | - |

Littelfuse products are designed for specific applications and should not be used for any purpose (including, without limitation, automotive applications) not expressly set forth in applicable Littelfuse product documentation. Warranties granted by Littelfuse shall be deemed void for products used for any purpose not expressly set forth in applicable Littelfuse product documentation. Littelfuse shall not be liable for any claims or damages arising out of products used in applications not expressly intended by Littelfuse as set forth in applicable Littelfuse product documentation.

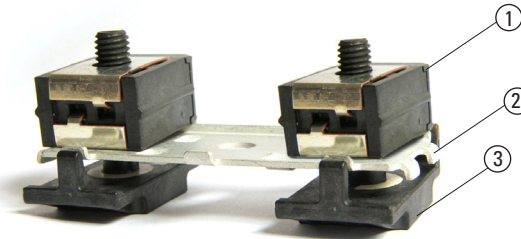
ZCASE Single Mega/Starter Fuse

Dimensions

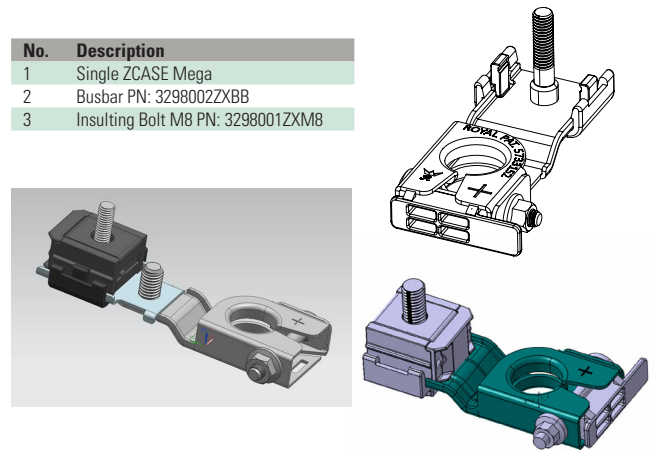
Dimensions in mm



Examples of Single ZCASE Applications



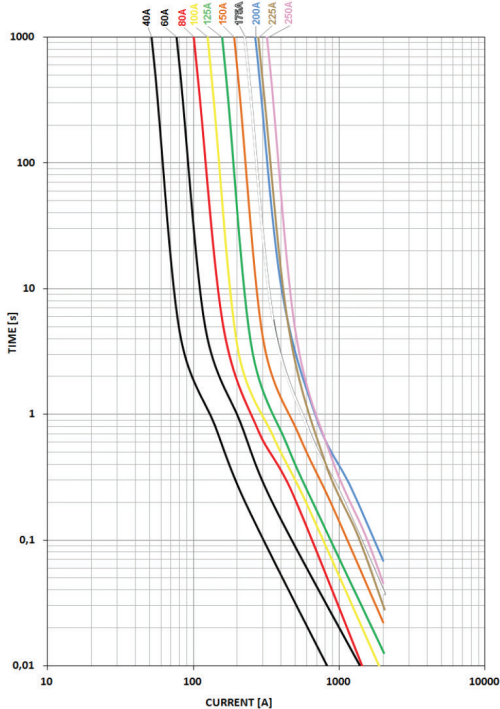
| No. | Description |
|-----|------------------------------------|
| 1 | Single ZCASE Mega |
| 2 | Busbar PN: 3298002ZXBB |
| 3 | Insulating Bolt M8 PN: 3298001ZXM8 |



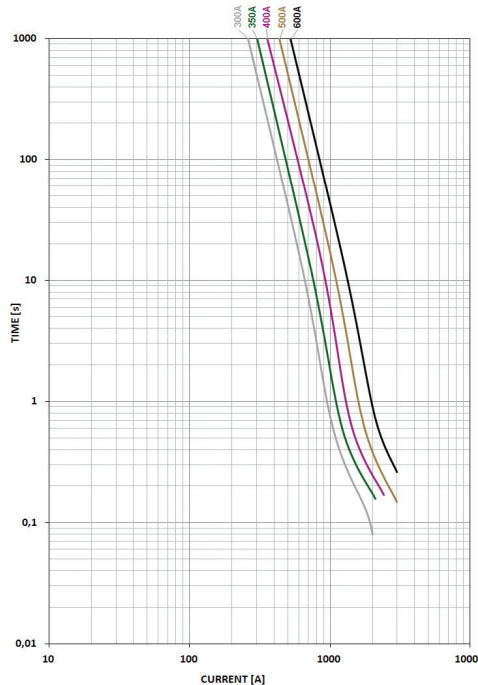
Please contact your Littelfuse representative for application support and information on mating hardware.

Time-Current Characteristic Curves

Reference Time-Current Characteristic Curves (Recorded@23°)



Reference Time-Current Characteristic Curves (Recorded@23°)



All ZCASE Starters T/C curves were performed on the left or right side of the metal bar as shown in pictures above. A 50mm² Cu wire was mounted at the mid hole (M8) of the metal bar as current feed.

Littelfuse products are designed for specific applications and should not be used for any purpose (including, without limitation, automotive applications) not expressly set forth in applicable Littelfuse product documentation. Warranties granted by Littelfuse shall be deemed void for products used for any purpose not expressly set forth in applicable Littelfuse product documentation. Littelfuse shall not be liable for any claims or damages arising out of products used in applications not expressly intended by Littelfuse as set forth in applicable Littelfuse product documentation.

Данный компонент на территории Российской Федерации

Вы можете приобрести в компании MosChip.

Для оперативного оформления запроса Вам необходимо перейти по данной ссылке:

<http://moschip.ru/get-element>

Вы можете разместить у нас заказ для любого Вашего проекта, будь то серийное производство или разработка единичного прибора.

В нашем ассортименте представлены ведущие мировые производители активных и пассивных электронных компонентов.

Нашей специализацией является поставка электронной компонентной базы двойного назначения, продукции таких производителей как XILINX, Intel (ex.ALTERA), Vicor, Microchip, Texas Instruments, Analog Devices, Mini-Circuits, Amphenol, Glenair.

Сотрудничество с глобальными дистрибьюторами электронных компонентов, предоставляет возможность заказывать и получать с международных складов практически любой перечень компонентов в оптимальные для Вас сроки.

На всех этапах разработки и производства наши партнеры могут получить квалифицированную поддержку опытных инженеров.

Система менеджмента качества компании отвечает требованиям в соответствии с ГОСТ Р ИСО 9001, ГОСТ РВ 0015-002 и ЭС РД 009

Офис по работе с юридическими лицами:

105318, г.Москва, ул.Щербаковская д.3, офис 1107, 1118, ДЦ «Щербаковский»

Телефон: +7 495 668-12-70 (многоканальный)

Факс: +7 495 668-12-70 (доб.304)

E-mail: info@moschip.ru

Skype отдела продаж:

moschip.ru

moschip.ru_4

moschip.ru_6

moschip.ru_9