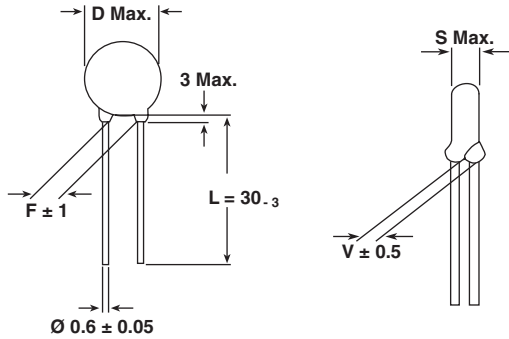


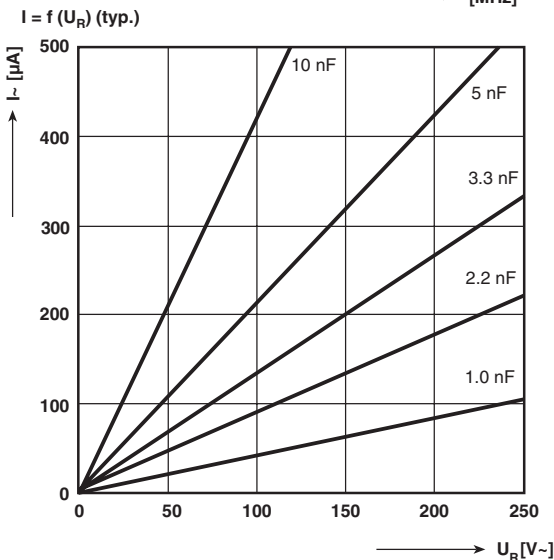
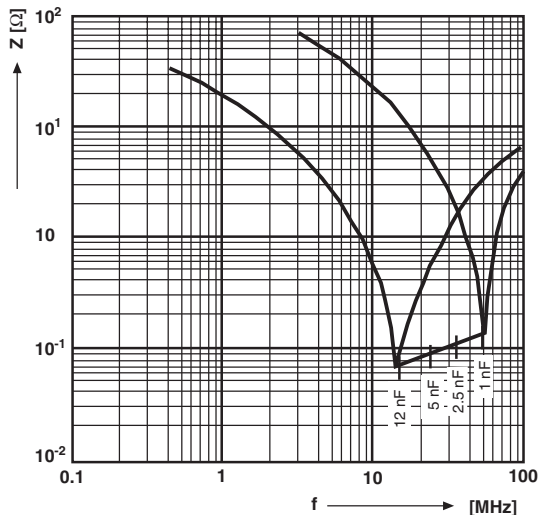
# Ceramic AC Capacitors

## Class X1, 440 V<sub>AC</sub>/Class Y2, 250 V<sub>AC</sub>



• Dimensions in mm

Impedance (Z) as a function of frequency (f) at T<sub>a</sub> = 20 °C (average). Measurement with lead length 6 mm.



**DESIGN:**

Disc capacitors with epoxy coating



RoHS  
COMPLIANT

**RATED VOLTAGE U<sub>R</sub>:**

- (X1): 440 V<sub>AC</sub>, 50 Hz (IEC 60384-14.2)
- (Y2): 250 V<sub>AC</sub>, 50 Hz (IEC 60384-14.2)
- 250 V<sub>AC</sub>, 60 Hz (UL1414, CSA C22.2)

**DIELECTRIC STRENGTH BETWEEN LEADS:**

Component test:  
2500 V<sub>AC</sub>, 50 Hz, 2 s, for parts with pitch ≥ 7.5 mm  
As repeated test admissible only once with  
2000 V<sub>AC</sub>, 50 Hz, 2 s  
Random sampling test (destructive test):  
1500 V<sub>AC</sub>, 50 Hz, 60 s

**DIELECTRIC STRENGTH OF BODY INSULATION:**

2000 V<sub>AC</sub>, 50 Hz, 60 s (destructive test)

**DISSIPATION FACTOR tan δ:**

≤ 25 • 10<sup>-3</sup>

**INSULATION RESISTANCE R<sub>is</sub>:**

≥ 6 • 10<sup>9</sup> Ω

**CATEGORY TEMPERATURE RANGE θ<sub>A</sub>:**

(- 40 to + 125) °C

**CLIMATIC CATEGORY ACC. TO EN60068-1:**

40/125/21

**COATING:**

Epoxy, dipped, insulating, flame retarding acc. to  
UL 94V-0

**TAPING AND SPECIAL LEAD CONFIGURATIONS:**

On request

**MARKING (EXAMPLE):**



WYO 1 nF to 2.5 nF



WYO 3.3 nF to 12 nF

All approval marks are also shown on the label.



**Ceramic AC Capacitors**  
Class X1, 440 V<sub>AC</sub>/Class Y2, 250 V<sub>AC</sub>

Vishay Draloric

| <b>ORDERING INFORMATION, CERAMIC X1 / Y2 CAPACITORS WYO</b> |          |            |             |                |               |                |
|---|----------|------------|-------------|----------------|---------------|----------------|
| CAPACITANCE (pF)  | TOL. (%) | D x s (mm) | F ± 1* (mm) | d ± 0.05* (mm) | V ± 0.5* (mm) | ORDERING CODE  |
| 1000  | ± 20 %   | 6.5 x 4.5  | 5.0         | 0.6            | 1.4           | WYO102□CM□□□KR |
| 1500  |          | 8.0 x 4.5  |             |                |               | WYO152□CM□□□KR |
| 1800  |          | 8.0 x 4.5  |             |                |               | WYO182□CM□□□KR |
| 2200  |          | 9.0 x 4.5  |             |                |               | WYO222□CM□□□KR |
| 2500  |          | 9.0 x 4.5  |             |                |               | WYO252□CM□□□KR |
| 3300  |          | 10.0 x 4.5 |             |                |               | WYO332□CM□□□KR |
| 4700  |          | 12.0 x 4.5 | 7.5         |                | 1.6           | WYO472□CM□□□KR |
| 5000  |          | 12.0 x 4.5 |             |                |               | WYO502□CM□□□KR |
| 6800  |          | 17.0 x 4.5 |             |                |               | WYO682□CM□□□KR |
| 8200  |          | 17.0 x 4.5 |             |                |               | WYO822□CM□□□KR |
| 0.010 μF  |          | 21.0 x 4.5 |             |                |               | WYO103□CM□□□KR |
| 0.012 μF  |          | 21.0 x 4.5 |             |                |               | WYO123□CM□□□KR |

\* Standard lead configuration, other lead spacing and diameter available on request.

| <b>ORDERING CODE</b> |                    |  |            |
|----------------------|--------------------|--|------------|
| □                    | 7th digit          | Capacitance Tolerance                        | ± 20 % = M |
| □□□                  | 10th to 12th digit | Lead Configuration (see General Information) |            |
| R                    | 14th digit         | RoHS Compliant Component                     |            |

| <b>APPROVALS</b>  |                         |             |             |                 |          |                |
|---|-------------------------|-------------|-------------|-----------------|----------|----------------|
| <b>IEC 60384 - 14 / 2<sup>nd</sup> Issue (1993) incl. Am. 1 (1995) - Safety Tests</b>                           |                         |             |             |                 |          |                |
| <b>EN 132 400 (1994) - Safety Tests</b>   |                         |             |             |                 |          |                |
| That approval together with the CB Test Certificate substitutes the national approval of the following nations: |                         |             |             |                 |          |                |
| Belgium   | France                  | Italy       | Austria     | China           | Japan    | Spain          |
| Denmark   | Greece                  | Luxembourg  | Portugal    | Singapore       | Poland   | United Kingdom |
| Germany   | Ireland                 | Netherlands | Sweden      | Slovenia        | Hungaria | Czech Republic |
| Finland   | Iceland                 | Norway      | Switzerland | Korea           | Israel   |                |
| Y2 - Capacitor: CB-Test Certificate: DE-1-11476-A1  |                         |             |             | 1 nF ... 12 nF  | 250 Vac  |                |
| X1 - Capacitor: CB-Test Certificate: DE-1-11148-A1  |                         |             |             | 1 nF ... 12 nF  | 440 Vac  |                |
| Minimum thickness of insulation: 0.4 mm   |                         |             |             |                 |          |                |
| Underwriters Laboratories Inc.  |                         |             |             |                 |          |                |
| UL 1414   | Line-by-pass component  |             |             | 1 nF ... 12 nF  | 250 Vac  |                |
|   | Agency Files / Licences |             |             | E 183 844 V1 S2 |          |                |
| Canadian Standards Association  |                         |             |             |                 |          |                |
| CSA C22.2 No 1-98   | Line-by-pass component  |             |             | 1 nF ... 12 nF  | 250 Vac  |                |
|   | Agency Files / Licences |             |             | E 183 844 V1 S2 |          |                |

| <b>ORDERING INFORMATION</b> |            |           |               |                    |               |                |
|-----------------------------|------------|-----------|---------------|--------------------|---------------|----------------|
| <b>WYO</b>                  | <b>103</b> | <b>M</b>  | <b>CM</b>     | <b>CF0</b>         | <b>K</b>      | <b>R</b>       |
| SERIES                      | CAP. VALUE | TOLERANCE | RATED VOLTAGE | LEAD CONFIGURATION | INTERNAL CODE | RoHS COMPLIANT |



## Disclaimer

All product specifications and data are subject to change without notice.

Vishay Intertechnology, Inc., its affiliates, agents, and employees, and all persons acting on its or their behalf (collectively, "Vishay"), disclaim any and all liability for any errors, inaccuracies or incompleteness contained herein or in any other disclosure relating to any product.

Vishay disclaims any and all liability arising out of the use or application of any product described herein or of any information provided herein to the maximum extent permitted by law. The product specifications do not expand or otherwise modify Vishay's terms and conditions of purchase, including but not limited to the warranty expressed therein, which apply to these products.

No license, express or implied, by estoppel or otherwise, to any intellectual property rights is granted by this document or by any conduct of Vishay.

The products shown herein are not designed for use in medical, life-saving, or life-sustaining applications unless otherwise expressly indicated. Customers using or selling Vishay products not expressly indicated for use in such applications do so entirely at their own risk and agree to fully indemnify Vishay for any damages arising or resulting from such use or sale. Please contact authorized Vishay personnel to obtain written terms and conditions regarding products designed for such applications.

Product names and markings noted herein may be trademarks of their respective owners.

## Данный компонент на территории Российской Федерации

### Вы можете приобрести в компании MosChip.

Для оперативного оформления запроса Вам необходимо перейти по данной ссылке:

<http://moschip.ru/get-element>

Вы можете разместить у нас заказ для любого Вашего проекта, будь то серийное производство или разработка единичного прибора.

В нашем ассортименте представлены ведущие мировые производители активных и пассивных электронных компонентов.

Нашей специализацией является поставка электронной компонентной базы двойного назначения, продукции таких производителей как XILINX, Intel (ex.ALTERA), Vicor, Microchip, Texas Instruments, Analog Devices, Mini-Circuits, Amphenol, Glenair.

Сотрудничество с глобальными дистрибьюторами электронных компонентов, предоставляет возможность заказывать и получать с международных складов практически любой перечень компонентов в оптимальные для Вас сроки.

На всех этапах разработки и производства наши партнеры могут получить квалифицированную поддержку опытных инженеров.

Система менеджмента качества компании отвечает требованиям в соответствии с ГОСТ Р ИСО 9001, ГОСТ РВ 0015-002 и ЭС РД 009

### Офис по работе с юридическими лицами:

105318, г.Москва, ул.Щербаковская д.3, офис 1107, 1118, ДЦ «Щербаковский»

Телефон: +7 495 668-12-70 (многоканальный)

Факс: +7 495 668-12-70 (доб.304)

E-mail: [info@moschip.ru](mailto:info@moschip.ru)

Skype отдела продаж:

moschip.ru

moschip.ru\_4

moschip.ru\_6

moschip.ru\_9