

# SC Series

## Mating harness

| Model     | Harness model # | Contents   | Connector             |                       |
|-----------|-----------------|--|-----------------------|-----------------------|
|           |                 |  | SCHA                  | SCDA                  |
| SC Series | H-SN-27         | Harness for using remote signal ON/OFF function                | CN1~CN4               | CN1,CN2               |
|           | H-SN-28         | Harness for using MAS,SLV,CTB,PCONT,COM terminal               | CN5,CN6               | CN3,CN4               |
|           | H-SN-29         | Harness for using system ON/OFF function                       | CN7,CN8               | CN5,CN6               |
|           | H-SN-30         | Harness for using alarm / output voltage monitor terminal      | CN9,CN10              | CN7,CN8               |
|           | H-OU-35         | Output harness   | Output connector 1~20 | Output connector 1~14 |
|           | H-PA-7          | Harness for using parallel connection (SLAVE unit-SLAVE unit)  | CN5,CN6               | CN3,CN4               |
|           | H-PA-8          | Harness for using parallel connection (MASTER unit-SLAVE unit) | CN5,CN6               | CN3,CN4               |

●Model number  
**H-SN-27**

●Type

●Wire

| Pin # | Wire   | AWG | Color  | Length $l$ (mm) |
|-------|--------|-----|--------|-----------------|
| A 1   | UL1007 | 22  | brown  | 2000            |
| B 1   | UL1007 | 22  | green  | 2000            |
| A 2   | UL1007 | 22  | red    | 2000            |
| B 2   | UL1007 | 22  | blue   | 2000            |
| A 3   | UL1007 | 22  | orange | 2000            |
| B 3   | UL1007 | 22  | purple | 2000            |
| A 4   | UL1007 | 22  | yellow | 2000            |
| B 4   | UL1007 | 22  | gray   | 2000            |

Housing : 1-1318119-4 (Tyco Electronics AMP)  
Pin : 1318105-1 or 1318107-1 (Tyco Electronics AMP)  
Weight : 100g max

●Model number  
**H-SN-28**

●Type

●Wire

| Pin # | Wire   | AWG | Color  | Length $l$ (mm) |
|-------|--------|-----|--------|-----------------|
| A 1   | UL1007 | 22  | brown  | 2000            |
| B 1   | -      | -   | -      | -               |
| A 2   | UL1007 | 22  | red    | 2000            |
| B 2   | -      | -   | -      | -               |
| A 3   | UL1007 | 22  | orange | 2000            |
| B 3   | -      | -   | -      | -               |
| A 4   | UL1007 | 22  | yellow | 2000            |
| B 4   | -      | -   | -      | -               |
| A 5   | UL1007 | 22  | green  | 2000            |
| B 5   | -      | -   | -      | -               |
| A 6   | -      | -   | -      | -               |
| B 6   | -      | -   | -      | -               |

Housing : 1-1318118-6 (Tyco Electronics AMP)  
Pin : 1318105-1 or 1318107-1 (Tyco Electronics AMP)  
Weight : 65g max

●Model number  
**H-SN-29**

●Type

●Wire

| Pin # | Wire   | AWG | Color  | Length $l$ (mm) |
|-------|--------|-----|--------|-----------------|
| A 1   | UL1007 | 22  | brown  | 2000            |
| B 1   | -      | -   | -      | -               |
| A 2   | -      | -   | -      | -               |
| B 2   | -      | -   | -      | -               |
| A 3   | UL1007 | 22  | orange | 2000            |
| B 3   | -      | -   | -      | -               |

Housing : 1-1318119-3 (Tyco Electronics AMP)  
Pin : 1318105-1 or 1318107-1 (Tyco Electronics AMP)  
Weight : 25g max

●Model number  
**H-SN-30**

●Type

●Wire

| Pin # | Wire   | AWG | Color  | Length $l$ (mm) |
|-------|--------|-----|--------|-----------------|
| A 1   | UL1007 | 22  | brown  | 2000            |
| B 1   | -      | -   | -      | -               |
| A 2   | UL1007 | 22  | red    | 2000            |
| B 2   | UL1007 | 22  | green  | 2000            |
| A 3   | UL1007 | 22  | orange | 2000            |
| B 3   | -      | -   | -      | -               |

Housing : 2-1318119-3 (Tyco Electronics AMP)  
Pin : 1318105-1 or 1318107-1 (Tyco Electronics AMP)  
Weight : 50g max

●Model number  
**H-OU-35**

●Type

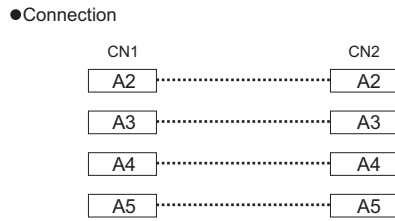
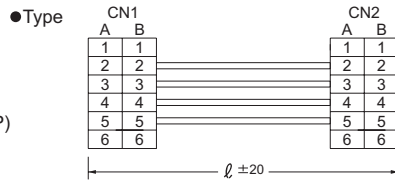
●Wire

| Pin # | Wire   | AWG | Color | Length $l$ (mm) |
|-------|--------|-----|-------|-----------------|
| 1     | UL1015 | 10  | red   | 2000            |
| 2     | UL1015 | 10  | black | 2000            |

Housing : 1-179958-2 (Tyco Electronics AMP)  
Pin : 179956-2 or 316041-2 (Tyco Electronics AMP)  
Weight : 6g max

●Model number  
**H-PA-7**

Housing : 1-1318118-6 (Tyco Electronics AMP)  
Pin : 1318105-1 or 1318107-1  
(Tyco Electronics AMP)  
Weight : 20g max

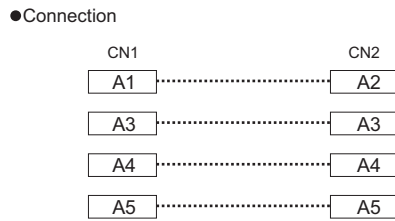
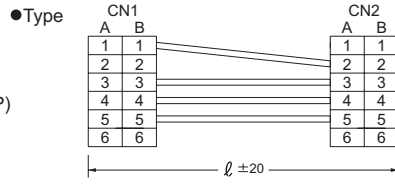


●Wire

|     | Pin # | Wire   | AWG | Color  | Length $\ell$ (mm) |
|-----|-------|--------|-----|--------|--------------------|
| CN1 | A 1   | -      | -   | -      | -                  |
|     | B 1   | -      | -   | -      | -                  |
|     | A 2   | UL1007 | 22  | red    | 400                |
|     | B 2   | -      | -   | -      | -                  |
|     | A 3   | UL1007 | 22  | orange | 400                |
|     | B 3   | -      | -   | -      | -                  |
|     | A 4   | UL1007 | 22  | yellow | 400                |
|     | B 4   | -      | -   | -      | -                  |
|     | A 5   | UL1007 | 22  | green  | 400                |
|     | B 5   | -      | -   | -      | -                  |
|     | A 6   | -      | -   | -      | -                  |
|     | B 6   | -      | -   | -      | -                  |
| CN2 | A 1   | -      | -   | -      | -                  |
|     | B 1   | -      | -   | -      | -                  |
|     | A 2   | UL1007 | 22  | red    | 400                |
|     | B 2   | -      | -   | -      | -                  |
|     | A 3   | UL1007 | 22  | orange | 400                |
|     | B 3   | -      | -   | -      | -                  |
|     | A 4   | UL1007 | 22  | yellow | 400                |
|     | B 4   | -      | -   | -      | -                  |
|     | A 5   | UL1007 | 22  | green  | 400                |
|     | B 5   | -      | -   | -      | -                  |
|     | A 6   | -      | -   | -      | -                  |
|     | B 6   | -      | -   | -      | -                  |

●Model number  
**H-PA-8**

Housing : 1-1318118-6 (Tyco Electronics AMP)  
Pin : 1318105-1 or 1318107-1  
(Tyco Electronics AMP)  
Weight : 20g max



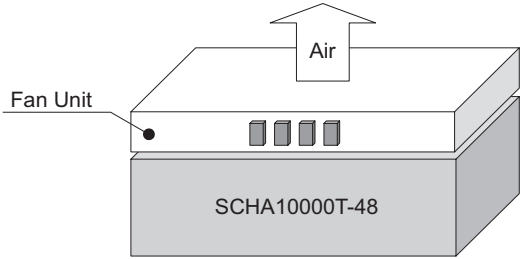
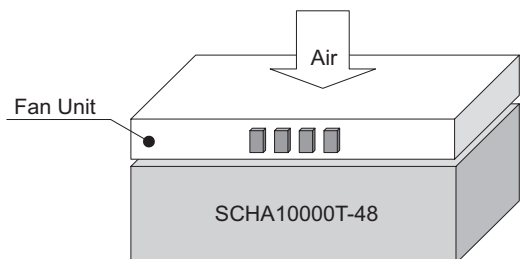
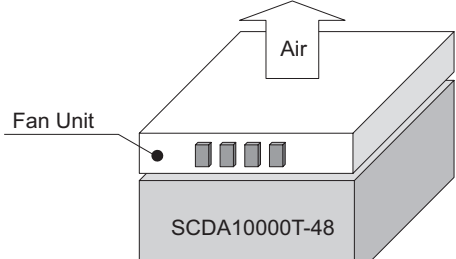
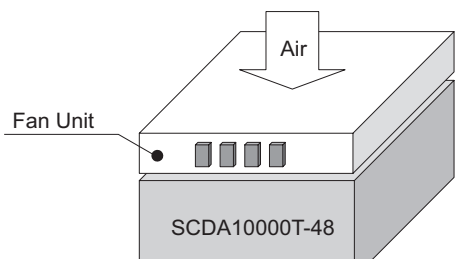
●Wire

|     | Pin # | Wire   | AWG | Color  | Length $\ell$ (mm) |
|-----|-------|--------|-----|--------|--------------------|
| CN1 | A 1   | UL1007 | 22  | brown  | 400                |
|     | B 1   | -      | -   | -      | -                  |
|     | A 2   | -      | -   | -      | -                  |
|     | B 2   | -      | -   | -      | -                  |
|     | A 3   | UL1007 | 22  | orange | 400                |
|     | B 3   | -      | -   | -      | -                  |
|     | A 4   | UL1007 | 22  | yellow | 400                |
|     | B 4   | -      | -   | -      | -                  |
|     | A 5   | UL1007 | 22  | green  | 400                |
|     | B 5   | -      | -   | -      | -                  |
|     | A 6   | -      | -   | -      | -                  |
|     | B 6   | -      | -   | -      | -                  |
| CN2 | A 1   | -      | -   | -      | -                  |
|     | B 1   | -      | -   | -      | -                  |
|     | A 2   | UL1007 | 22  | brown  | 400                |
|     | B 2   | -      | -   | -      | -                  |
|     | A 3   | UL1007 | 22  | orange | 400                |
|     | B 3   | -      | -   | -      | -                  |
|     | A 4   | UL1007 | 22  | yellow | 400                |
|     | B 4   | -      | -   | -      | -                  |
|     | A 5   | UL1007 | 22  | green  | 400                |
|     | B 5   | -      | -   | -      | -                  |
|     | A 6   | -      | -   | -      | -                  |
|     | B 6   | -      | -   | -      | -                  |

**Fan unit**

**SC Series**

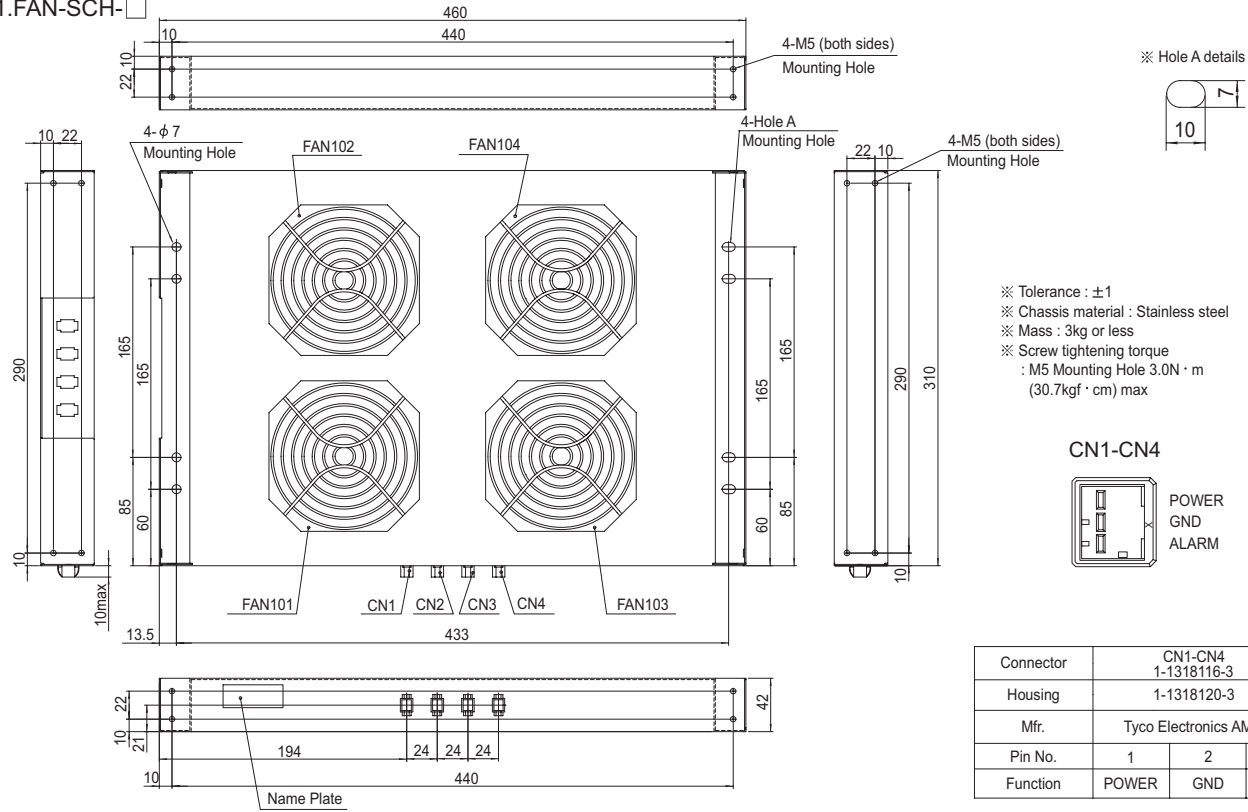
★Several kind optional fan unit are prepared for SC series.  
 This fan unit is used to distribute sufficient air for cooling single SC unit.

| Fan unit type | Matching model | External   |
|---------------|----------------|--|
| FAN-SCH-1     | SCHA10000T-48  |    |
| FAN-SCH-2     | SCHA10000T-48  |    |
| FAN-SCD-1     | SCDA10000T-48  |  |
| FAN-SCD-2     | SCDA10000T-48  |  |

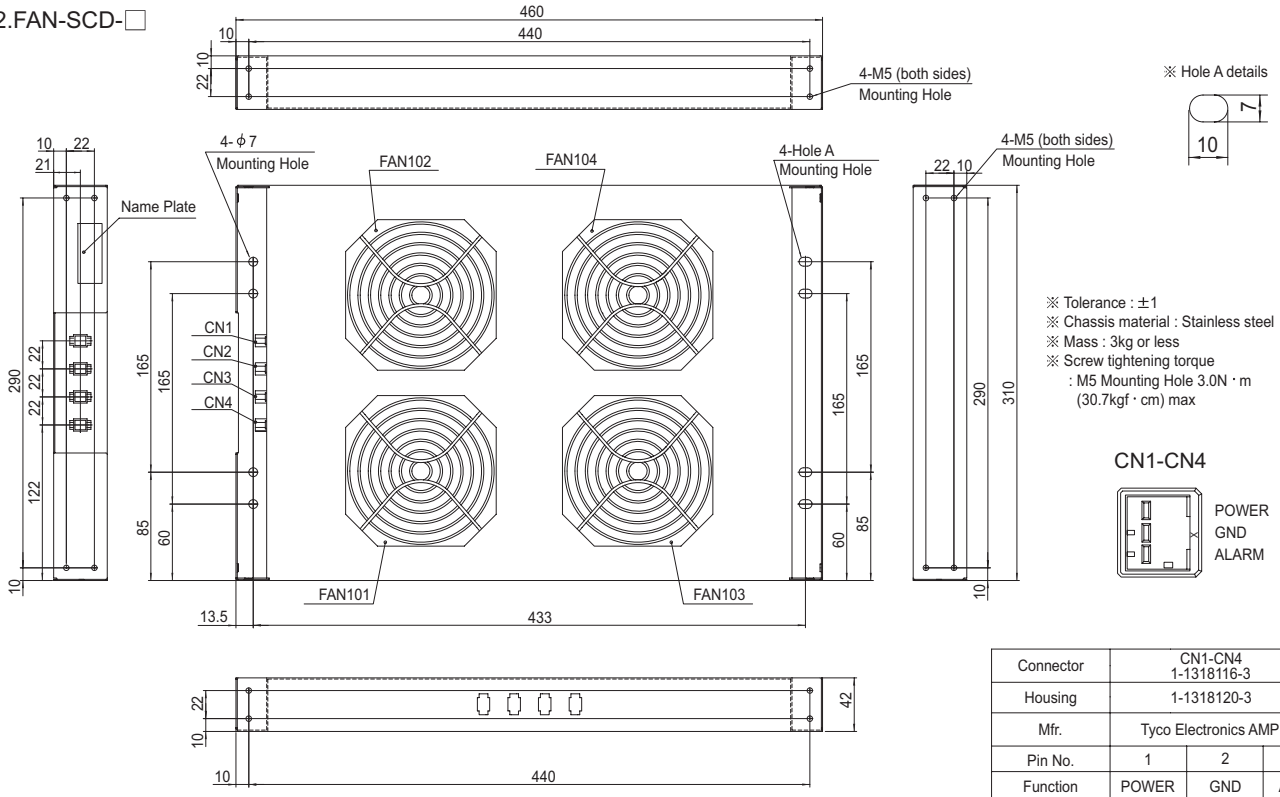
- ★ 1 Fan is delicate component, ageist impact stress such as throwing the unit, or drop the unit, careful handling is required to avoid failure.
- ★ 2 Please make sure there is not loose connection and cramping the harness wire between chassis.

# 1 External view

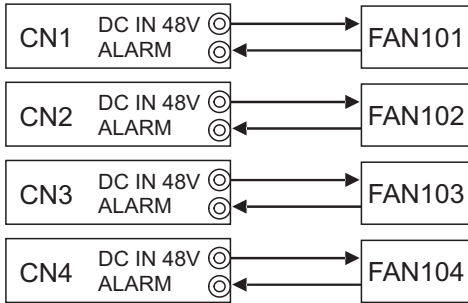
1.FAN-SCH-□



2.FAN-SCD-□



## 2 Block diagram



## 3 Specifications

Specifications is on Table 3.1.

Table 3.1 Specifications

| ITEM             | SPECIFICATIONS              |
|------------------|-----------------------------|
| INPUT VOLTAGE[V] | DC46.0-50.0 ※               |
| INPUT CURRENT[A] | 0.23/Connector (Total 0.92) |
| OPERATING TENP   | 0 to +70°C                  |

※ You may use the output voltage of SC series

## 4 Fan alarm

Individual fan has built-in alarm function detecting the operation. Fan alarm specifications are shown in Table4.1. A connection for example is shown in Fig.4.1.

Table 4.1 Fan sensor specifications

| ITEM               | SPECIFICATIONS        |
|--------------------|-----------------------|
| OUTPUT             | open collector output |
| PULL UP VOLTAGE[V] | 60max ※               |
| SINK CURRENT[ma]   | 5max                  |

※ You can use output voltage of the SC series

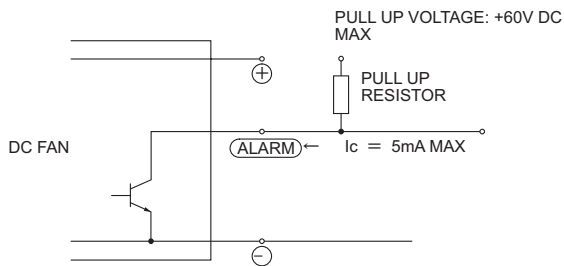


Fig.4.1 Fan alarm connection example

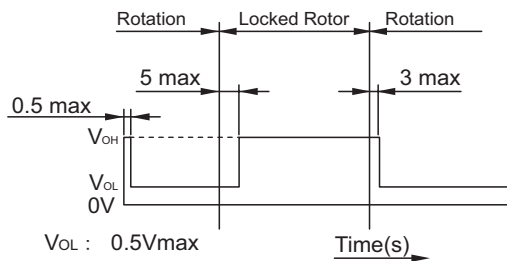


Fig.4.2 Fan alarm output wave form

## 5 Life time expectancy of the fan unit

Life time expectancy of the fan unit (R(t)90%) is shown in Fig.5.1.

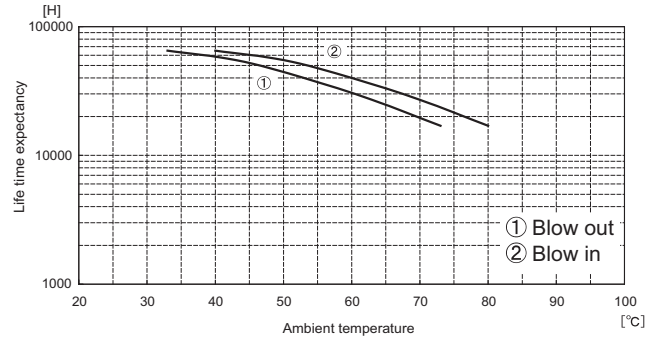
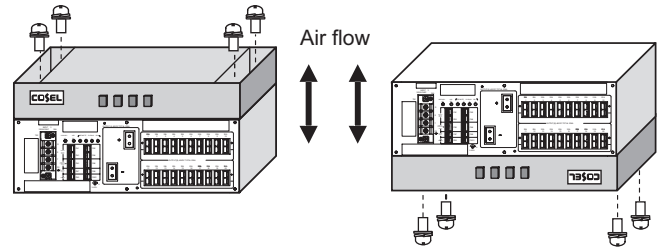


Fig.5.1 Life expectancy of fan unit

## 6 Installation method

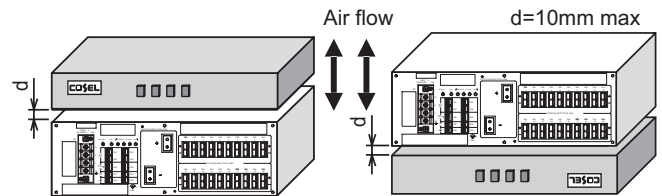
The fan unit is screw-mountable either upside or downside of SC unit.

(1) Mounting instruction by using screws to SC series.



(2) Rack-mounting

The fan unit is needed 10mm or less clearance against SC unit chassis.



## 7 Life time expectancy of SC series

Life time expectancy with optional fan unit : 10 years

## 8 Operating Environment

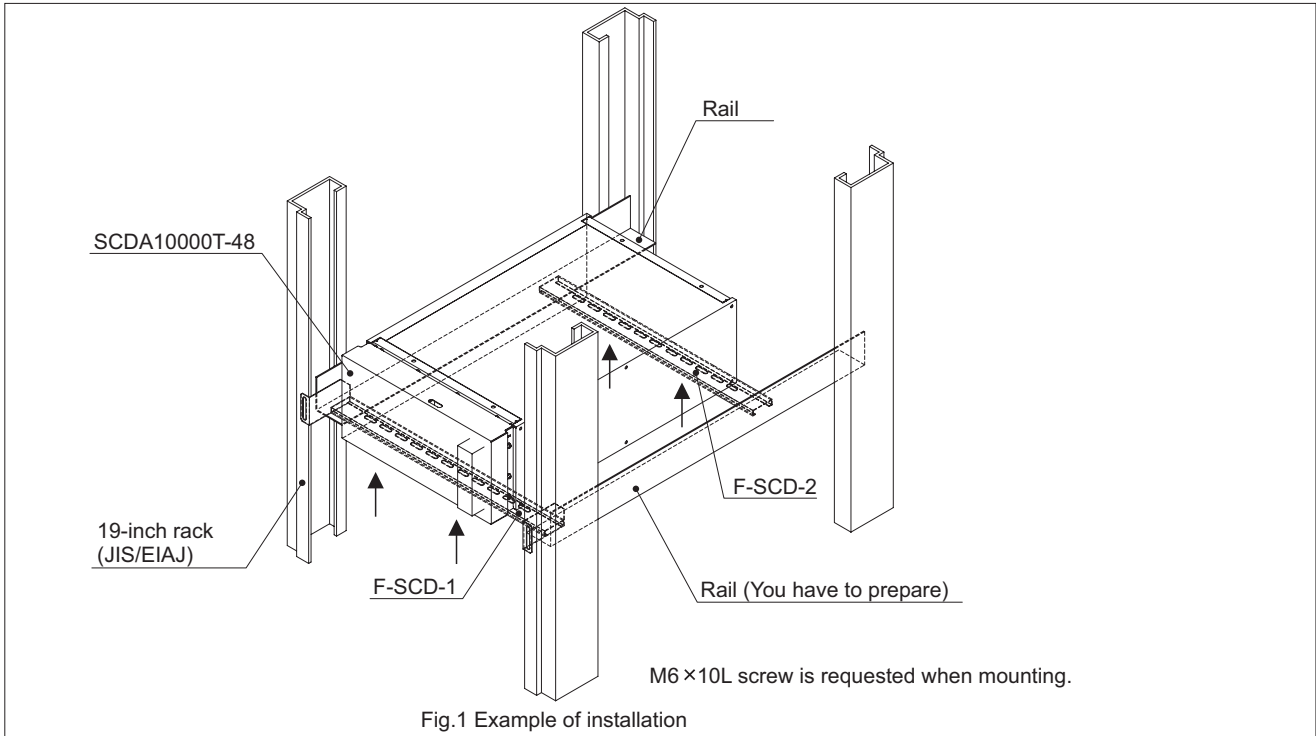
Oil and other chemical liquid splashing environment may cause the performance degradation and failure.

# SC Series Attachment

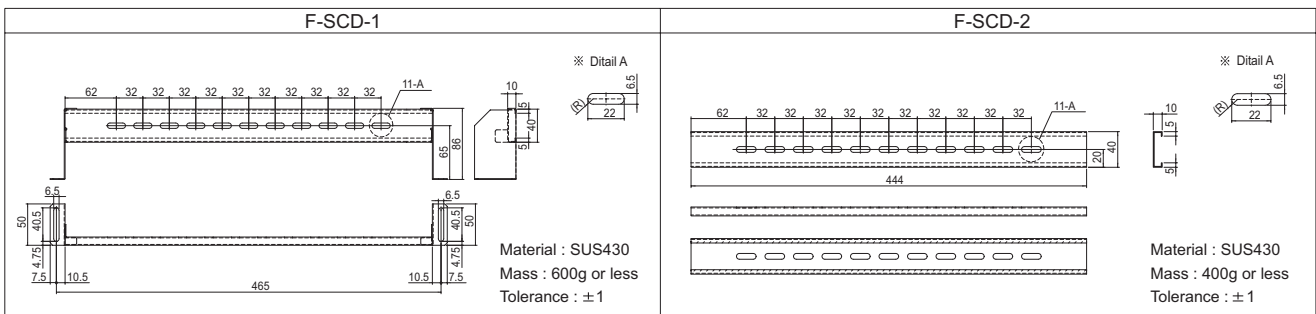
# SC Series

| Plate model | Applicable to model | Note                            |
|-------------|---------------------|---------------------------------|
| F-SCD-1     | SCDA10000T-48       | For 19-inch rack (bracket type) |
| F-SCD-2     | SCDA10000T-48       | For 19-inch rack                |

## Example of installation



## External view

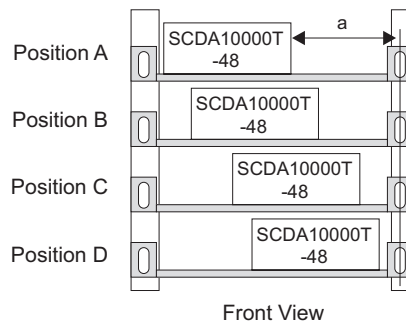


## Mounting position

4 mounting position is available.  
Mounting position and space distance a are on Table 1.

Table 1 position and space distance (mm)

| Position | Distance a |
|----------|------------|
| A        | 115-118    |
| B        | 83-93      |
| C        | 51-61      |
| D        | 19-29      |



## Others

- 19-inch rails are required for initial preparation.
- 2 units or more stack is not recommended mounting with F-SCD-1 and F-SCD-2.

## Данный компонент на территории Российской Федерации

### Вы можете приобрести в компании MosChip.

Для оперативного оформления запроса Вам необходимо перейти по данной ссылке:

<http://moschip.ru/get-element>

Вы можете разместить у нас заказ для любого Вашего проекта, будь то серийное производство или разработка единичного прибора.

В нашем ассортименте представлены ведущие мировые производители активных и пассивных электронных компонентов.

Нашей специализацией является поставка электронной компонентной базы двойного назначения, продукции таких производителей как XILINX, Intel (ex.ALTERA), Vicor, Microchip, Texas Instruments, Analog Devices, Mini-Circuits, Amphenol, Glenair.

Сотрудничество с глобальными дистрибьюторами электронных компонентов, предоставляет возможность заказывать и получать с международных складов практически любой перечень компонентов в оптимальные для Вас сроки.

На всех этапах разработки и производства наши партнеры могут получить квалифицированную поддержку опытных инженеров.

Система менеджмента качества компании отвечает требованиям в соответствии с ГОСТ Р ИСО 9001, ГОСТ РВ 0015-002 и ЭС РД 009

### Офис по работе с юридическими лицами:

105318, г.Москва, ул.Щербаковская д.3, офис 1107, 1118, ДЦ «Щербаковский»

Телефон: +7 495 668-12-70 (многоканальный)

Факс: +7 495 668-12-70 (доб.304)

E-mail: [info@moschip.ru](mailto:info@moschip.ru)

Skype отдела продаж:

moschip.ru

moschip.ru\_4

moschip.ru\_6

moschip.ru\_9