

REVISIONS					DATE	APPD
LOC	DIST	P	F	ZONE	DESCRIPTION	
DF	LO			B	REV PER ECO 05-10335	SG

17 POSN 21°10' THROW, LAYER 1  
 ● = CLOSED TO COMMON

POSN.	B	C	D	E
1	●	●		●
2			●	●
3	●			●
4		●	●	●
5				●
6			●	●
7				●
8	●	●	●	●
9	●	●		●
10	●	●	●	●
11	●	●		●
12	●		●	●
13	●			●
14		●	●	●
15		●		●
16			●	●
17				●

20 POSN. 18° THROW, LAYER 4  
 ● = CLOSED TO COMMON

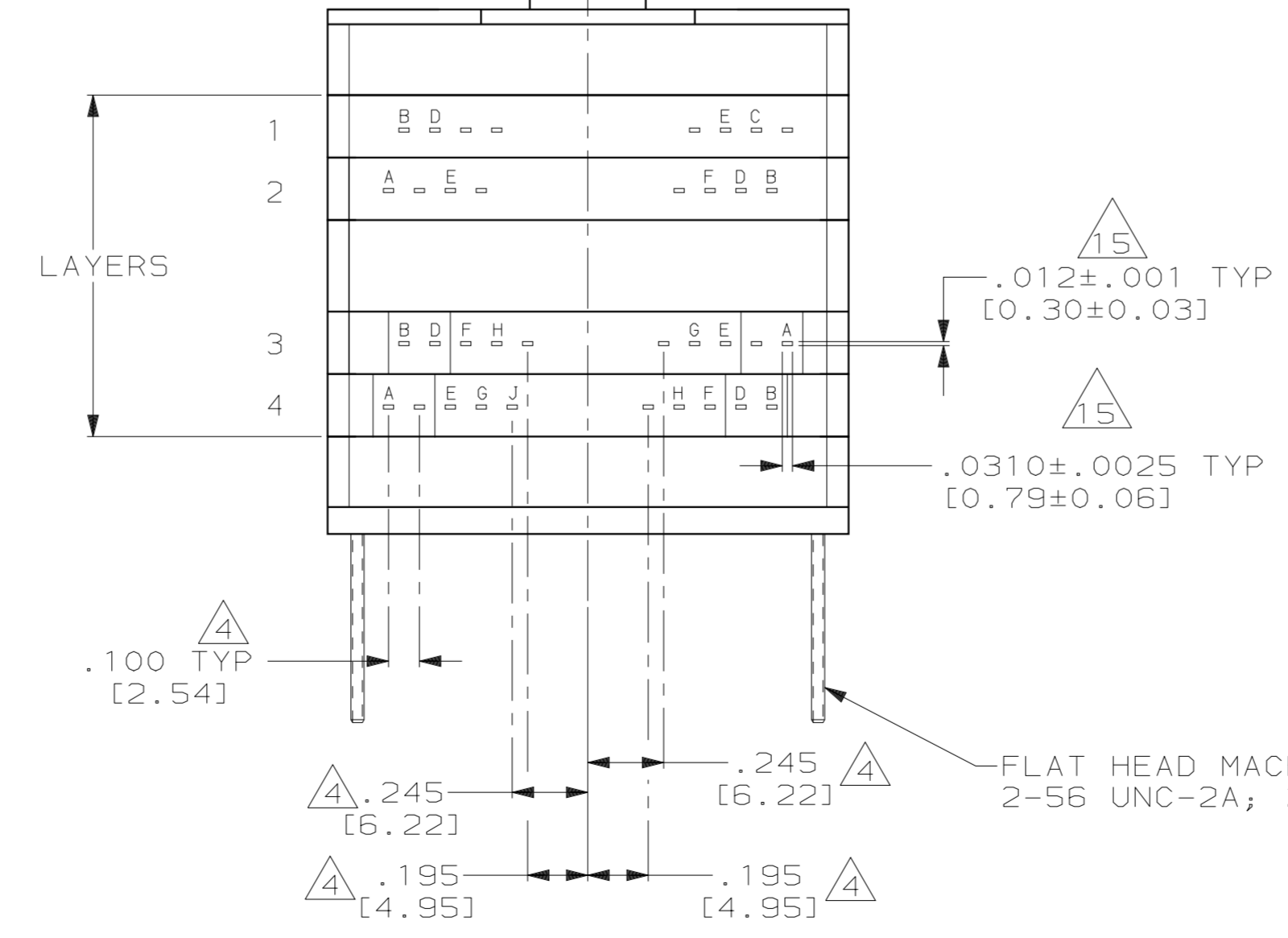
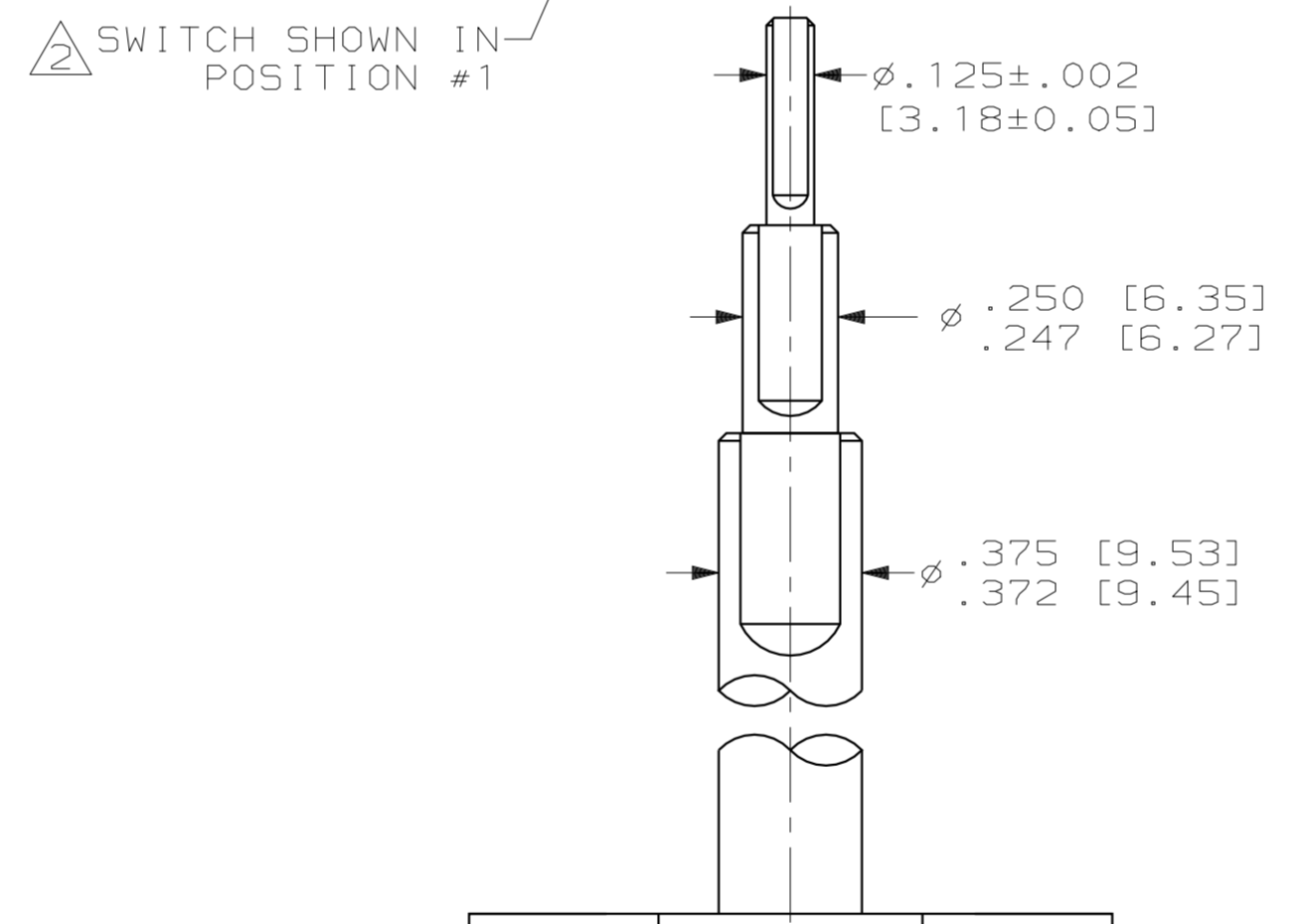
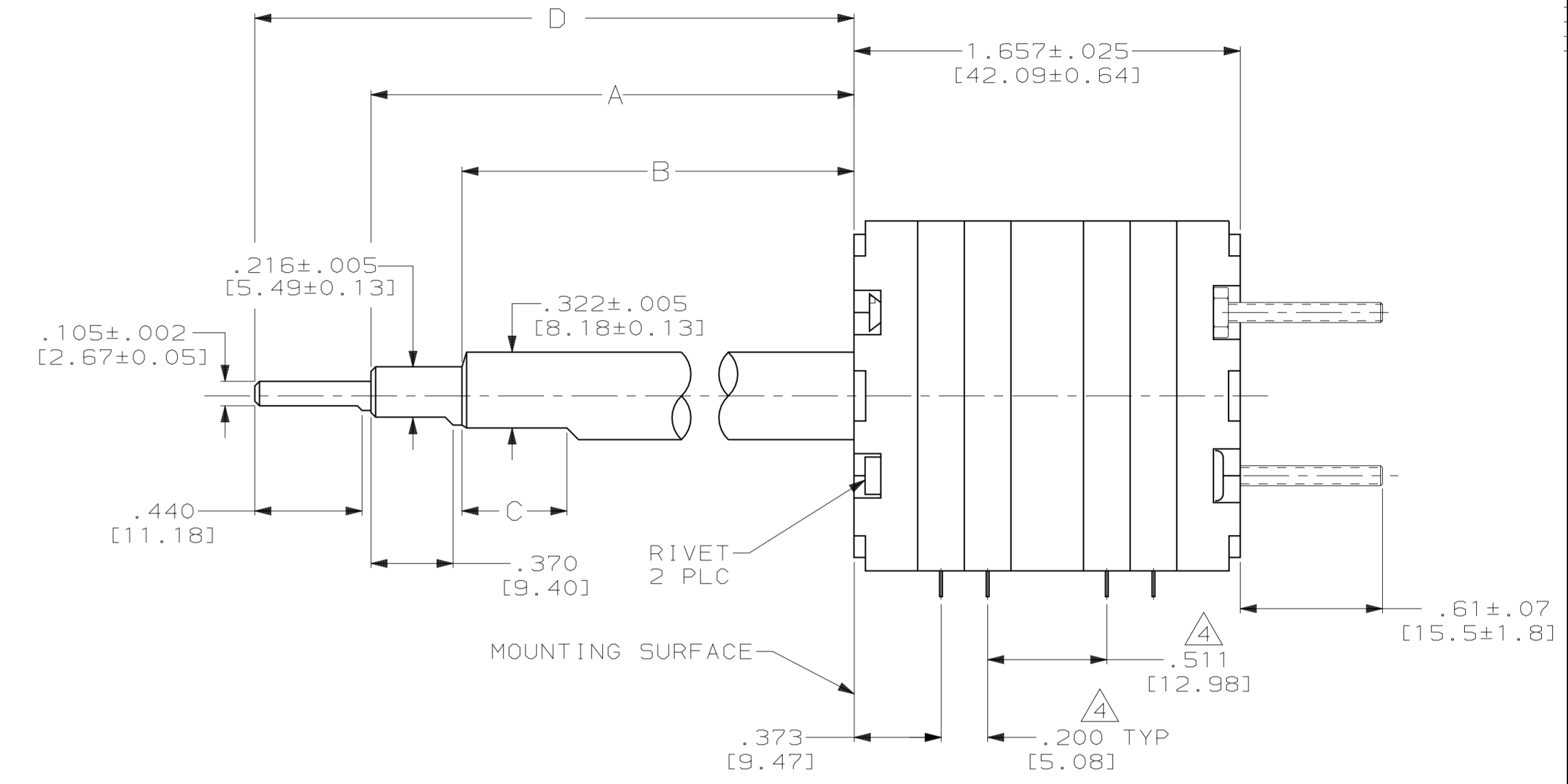
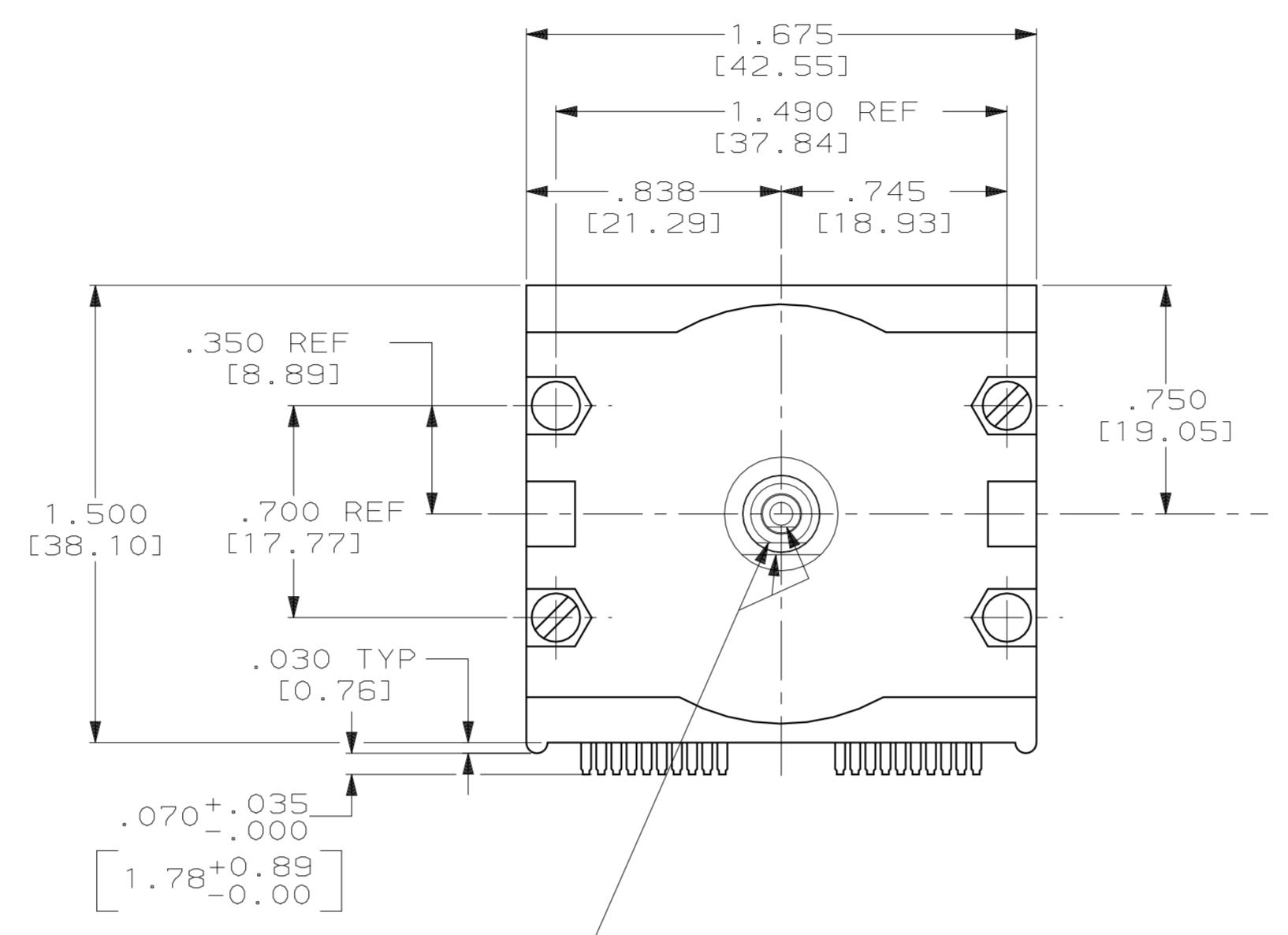
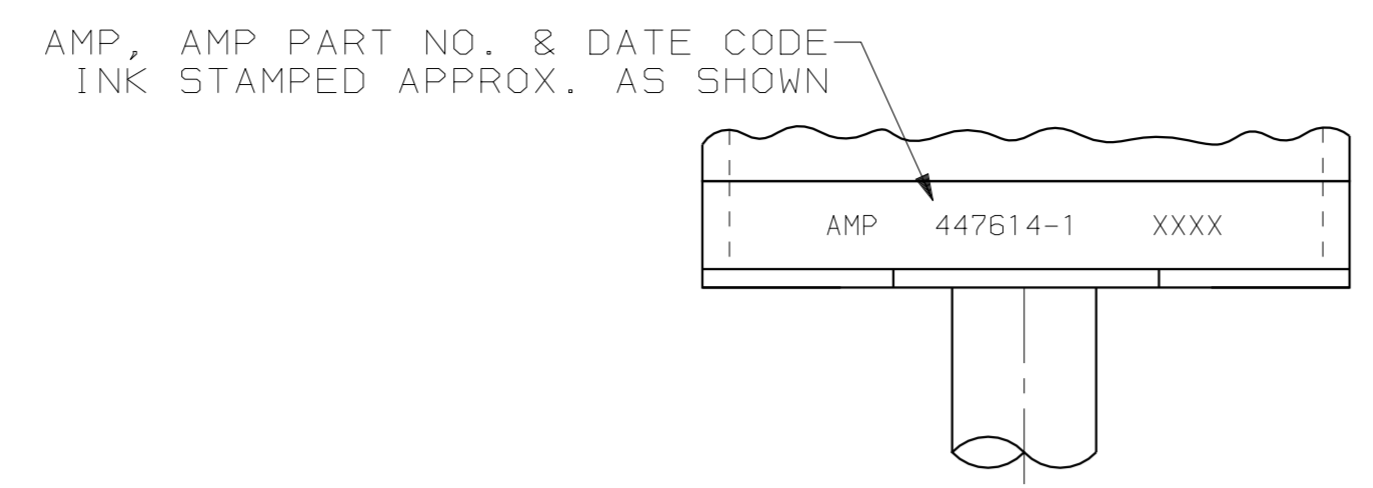
POSN.	A	B	D	E	F	G	H	J
1	●	●		●	●	●	●	●
2	●	●		●	●	●	●	●
3	●	●		●	●	●	●	●
4	●	●		●	●	●	●	●
5	●	●		●	●	●	●	●
6	●	●		●	●	●	●	●
7	●	●		●	●	●	●	●
8	●	●		●	●	●	●	●
9	●	●		●	●	●	●	●
10	●	●		●	●	●	●	●
11	●	●		●	●	●	●	●
12	●	●		●	●	●	●	●
13	●	●		●	●	●	●	●
14	●	●		●	●	●	●	●
15	●	●		●	●	●	●	●
16	●	●		●	●	●	●	●
17	●	●		●	●	●	●	●
18	●	●		●	●	●	●	●
19	●	●		●	●	●	●	●
20	●	●		●	●	●	●	●

17 POSN 21°10' THROW, LAYER 2  
 ● = CLOSED TO COMMON

POSN.	A	B	D	E	F
1	●	●		●	●
2	●	●		●	●
3	●	●		●	●
4	●	●		●	●
5	●	●		●	●
6	●	●		●	●
7	●	●		●	●
8	●	●		●	●
9	●	●		●	●
10	●	●		●	●
11	●	●		●	●
12	●	●		●	●
13	●	●		●	●
14	●	●		●	●
15	●	●		●	●
16	●	●		●	●
17	●	●		●	●

20 POSN. 18° THROW, LAYER 3  
 ● = CLOSED TO COMMON

POSN.	A	B	D	E	F	G	H
1	●	●		●	●	●	●
2	●	●		●	●	●	●
3	●	●		●	●	●	●
4	●	●		●	●	●	●
5	●	●		●	●	●	●
6	●	●		●	●	●	●
7	●	●		●	●	●	●
8	●	●		●	●	●	●
9	●	●		●	●	●	●
10	●	●		●	●	●	●
11	●	●		●	●	●	●
12	●	●		●	●	●	●
13	●	●		●	●	●	●
14	●	●		●	●	●	●
15	●	●		●	●	●	●
16	●	●		●	●	●	●
17	●	●		●	●	●	●
18	●	●		●	●	●	●
19	●	●		●	●	●	●
20	●	●		●	●	●	●



- SWITCH NOT TO BE DISASSEMBLED.
- SWITCH POSITIONS INCREASE WHEN ROTATED IN A CLOCKWISE DIRECTION.
- DO NOT MAKE ELECTRICAL CONNECTION TO ANY UNUSED PINS.
- THESE DIMENSIONS HAVE NON-CUMULATIVE TOLERANCES.
- THE TORQUE REQUIRED TO ROTATE THE PRIMARY SHAFT OR SECONDARY SHAFT OR TERTIARY SHAFT SHALL NOT EXCEED THE 10 IN OZ. ±5 IN. OZ. RANGE.
- FOR ADDITIONAL SPECIFICATIONS SEE AMP PRODUCT SPEC. 108-7061.
- CODE TRANSITION TO TAKE PLACE MIDWAY BETWEEN DETENT POSITIONS ±1.5°.
- LAYERS 2,3 & 4 PIN "B" IS COMMONED TO "A" 4°±1.5° BEFORE AND AFTER CENTER OF DETENT POSITION.
- LAYER 1 "B", "C" & "D" ARE COMMONED TO "E".
- LAYER 2 "D" & "E" ARE COMMONED TO "F".
- LAYER 3 "D", "E", "F" & "G" ARE COMMONED TO "H".
- LAYER 4 "D", "E", "F", "G" & "H" ARE COMMONED TO "J".
- ALL ELECTRICALLY ACTIVE PINS ARE IDENTIFIED BY LETTERS. THOSE NOT ELECTRICALLY ACTIVE ARE SHOWN, BUT NOT LETTERED.
- SWITCH IS 100% ELECTRICAL TESTED AND INSPECTED.
- CONTACT DIMENSION DOES NOT INCLUDE CUT-OFF BURR.

3.45±.04 [87.6±1.0]	.500 [12.70]	2.49±.02 [63.2±0.5]	2.99±.04 [75.9±1.0]	447614-2
3.25±.04 [82.6±1.0]	.600 [15.24]	2.42±.02 [61.5±0.5]	2.78±.04 [70.6±1.0]	447614-1
D DIM	C DIM	B DIM	A DIM	PART NO.

DO NOT SCALE PRINT. UNLESS SPECIFIED DIMENSIONS IN INCHES [mm] TOLERANCES ON: 1 CHK 1-21-91 S. GLATFELTER 2 PLC DEC ± . 3 PLC DEC ± .010 (0.25) ANGLES ± -	DR 1-16-91 CHUCK THOMAS CHK 1-21-91 S. GLATFELTER APPD 1-21-91 S. GLATFELTER APPD 1-31-91 C. THOMAS	<b>AMP</b> AMP Incorporated Harrisburg, PA 17105-3608 NAME: ROTARY SWITCH ASSY, 3510 SERIES, MULTI-SHAFT, 20 POSN PRIMARY & SECONDARY, 17 POSN TERTIARY, 4 LAYER		
MATERIAL	PRODUCT SPEC	SIZE	CAGE CODE	DRAWING NO
		D	00779	447614
FINISH	APPLICATION SPEC	SCALE	SHEET	1 OF 1
		2:1		

## Данный компонент на территории Российской Федерации

### Вы можете приобрести в компании MosChip.

Для оперативного оформления запроса Вам необходимо перейти по данной ссылке:

<http://moschip.ru/get-element>

Вы можете разместить у нас заказ для любого Вашего проекта, будь то серийное производство или разработка единичного прибора.

В нашем ассортименте представлены ведущие мировые производители активных и пассивных электронных компонентов.

Нашей специализацией является поставка электронной компонентной базы двойного назначения, продукции таких производителей как XILINX, Intel (ex.ALTERA), Vicor, Microchip, Texas Instruments, Analog Devices, Mini-Circuits, Amphenol, Glenair.

Сотрудничество с глобальными дистрибьюторами электронных компонентов, предоставляет возможность заказывать и получать с международных складов практически любой перечень компонентов в оптимальные для Вас сроки.

На всех этапах разработки и производства наши партнеры могут получить квалифицированную поддержку опытных инженеров.

Система менеджмента качества компании отвечает требованиям в соответствии с ГОСТ Р ИСО 9001, ГОСТ РВ 0015-002 и ЭС РД 009

### Офис по работе с юридическими лицами:

105318, г.Москва, ул.Щербаковская д.3, офис 1107, 1118, ДЦ «Щербаковский»

Телефон: +7 495 668-12-70 (многоканальный)

Факс: +7 495 668-12-70 (доб.304)

E-mail: [info@moschip.ru](mailto:info@moschip.ru)

Skype отдела продаж:

moschip.ru

moschip.ru\_4

moschip.ru\_6

moschip.ru\_9