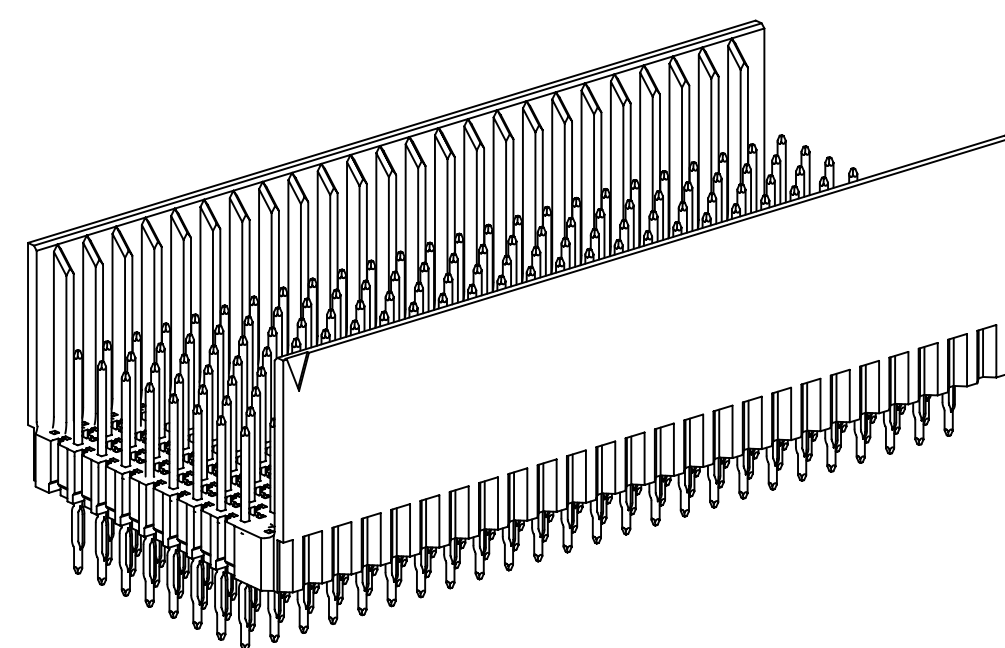
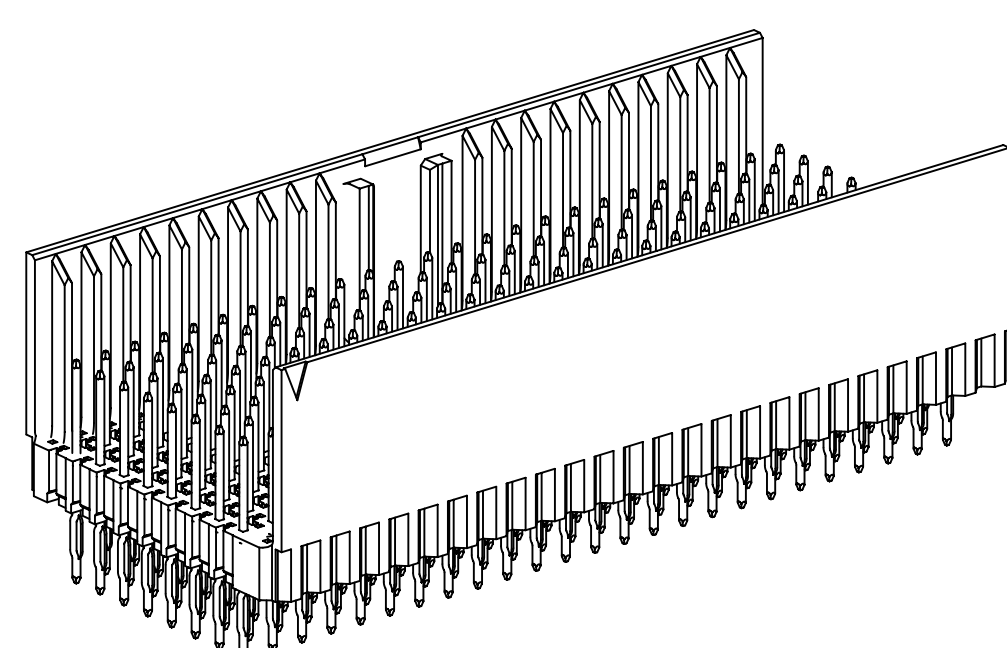


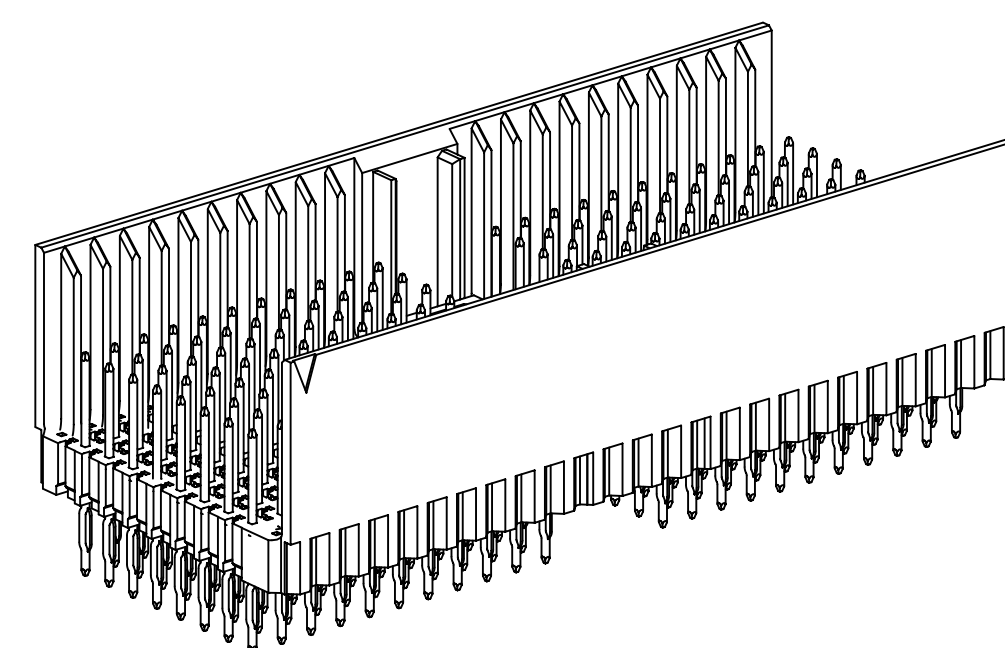
3M™ HM PRESS-FIT HEADER, 8-ROW, HM SERIES  
FOR HARD METRIC APPLICATIONS



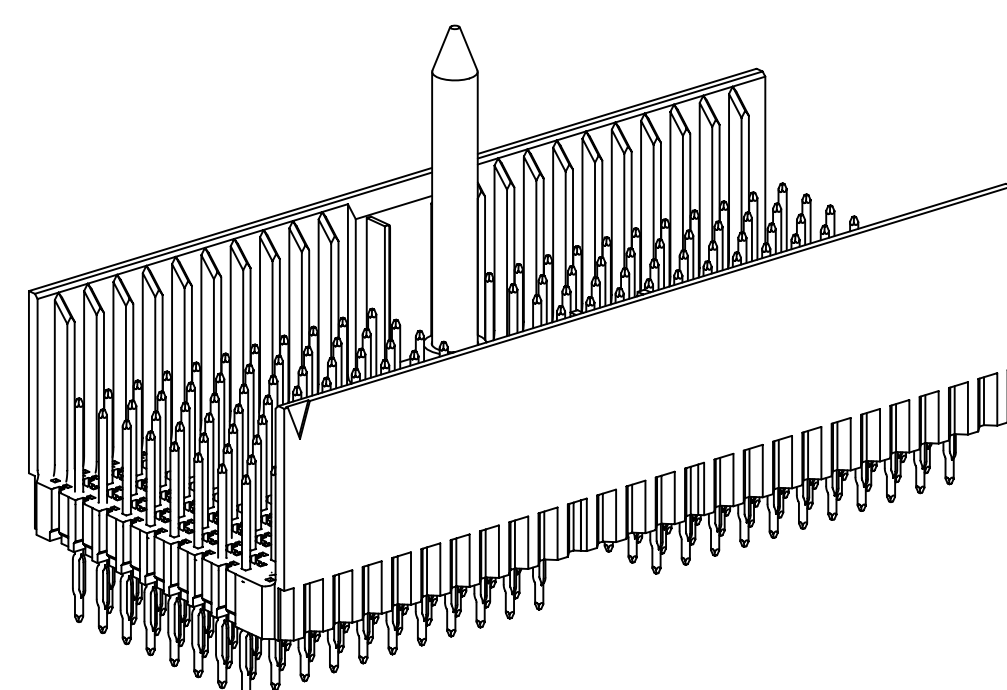
HM-H200E1-8CX1  
HM-H244E2-8BX1



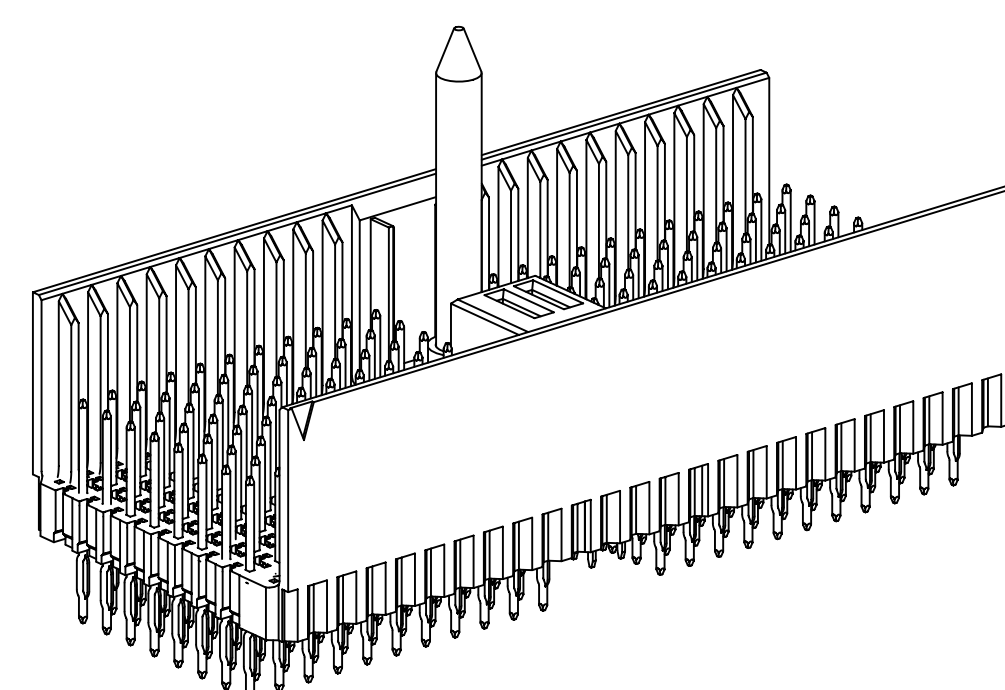
HM-H200DE1-8CX1  
HM-H244DE2-8BX1



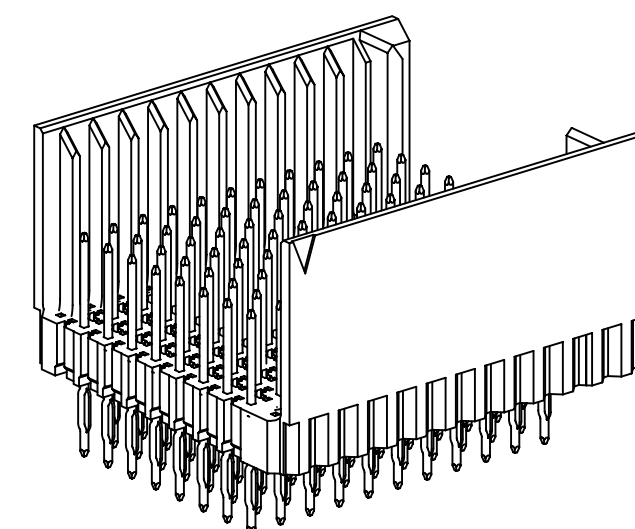
HM-H176D1-8CX1  
HM-H220D2-8BX1



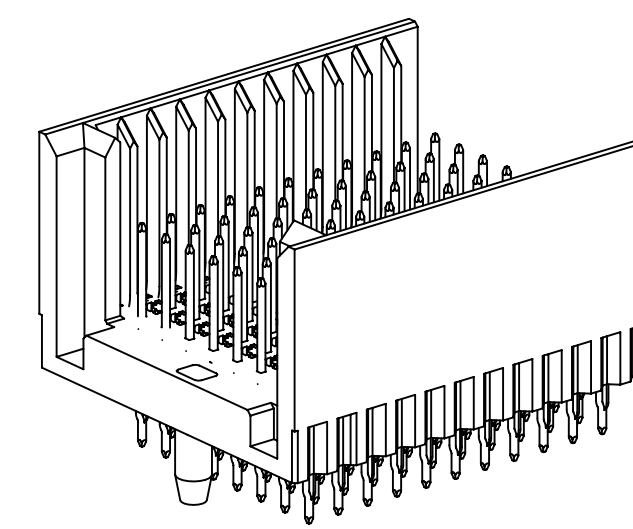
HM-H176DG1-8CX1  
HM-H220DG2-8BX1



HM-H176DPWR1-8CX1  
HM-H220DPWR2-8BX1



HM-H088FL1-8CX1  
HM-H110FL2-8BX1



HM-H088FR1-8CX1  
HM-H110FR2-8BX1

(UNLESS OTHERWISE SHOWN)  
ORDERING INFORMATION  
(ROWS I AND Z NOT LOADED)

HM-HXXXXX1-8CX1-XXXXX

HEADER POSITION AND TYPE | TAIL STYLE: P = PRESS-FIT TAIL, S = SOLDER TAIL | PLATING

(UNLESS OTHERWISE SHOWN)  
ORDERING INFORMATION  
(ROWS I AND Z LOADED, 8.3MM MATE LENGTH)

HM-HXXXXX2-8BX1-XXXXX

HEADER POSITION AND TYPE | TAIL STYLE: P = PRESS-FIT TAIL, S = SOLDER TAIL | PLATING

PLATING SPECIFICATIONS:

TG30L = .76µM [30µIN] MIN. GOLD ON CONTACT AREA, LUBRICATED  
2.54µM [100µIN] MIN. TIN/LEAD ON TERMINAL AREA (RIA C2 & E2 APPLY)  
1.27µM [50µIN] MIN. NICKEL ALL OVER.  
TYPICALLY HIGHER MAKE ORDER QUANTITIES AS COMPARED TO TG30.

TG30 = .76µM [30µIN] MIN. GOLD ON CONTACT AREA  
2.54µM [100µIN] MIN. TIN/LEAD ON TERMINAL AREA (RIA C2 & E2 APPLY)  
1.27µM [50µIN] MIN. NICKEL ALL OVER.  
STANDARD OPTION.

TG50 = 1.27µM [50µIN] MIN. GOLD ON CONTACT AREA, LUBRICATED  
2.54µM [100µIN] MIN. TIN/LEAD ON TERMINAL AREA (RIA C2 & E2 APPLY)  
1.27µM [50µIN] MIN. NICKEL ALL OVER.  
NON-STANDARD OPTION (AVAILABLE WITH LONGER LEAD TIMES AND HIGHER MAKE ORDER QUANTITIES, MOQ)

KR = .76µM [30µIN] MIN. GOLD ON CONTACT AREA  
2.54µM [100µIN] MIN. MATTE TIN ON TERMINAL AREA (RIA C2 & E2 APPLY)  
1.27µM [50µIN] MIN. NICKEL ALL OVER.

- \* MODULAR/SCALABLE FORMAT IEC 61076-4-101
- \* PRESS-FIT OF SOLDER TAIL VERSION
- \* 101 MATED LINES PER INCH
- \* SHIPS WITH PROTECTIVE CAP, WHICH ALSO SERVES AS AN INSERTION TOOL
- \* END-TO-END STACKABLE WITH 8 ROW 3M™ HM AND HSHM PRODUCTS
- \* INTEGRATED GUIDE AND GUIDE PIN
- \* MULTI-PURPOSE CENTER (MPC) KEYING AND GUIDANCE
- \* FOUR INTEGRATED 8.25 A POWER CONTACTS AND GUIDE PIN

- NOTES
- MATERIAL:  
PLASTIC: HIGH TEMP LCP, UL94V-0  
PINS: COPPER ALLOY.
  - REGULATORY INFORMATION:  
ROHS COMPLIANT. SEE THE REGULATORY INFORMATION APPENDIX (RIA) IN THE "ROHS COMPLIANCE" SECTION OF WWW.3MCONNECTORS.COM FOR COMPLIANCE INFORMATION (RIA E1 & C1 APPLY)
  - IN THE EVENT OF CONFLICT BETWEEN THIS DATA AND THAT CONTAINED IN THE PRODUCT SPECIFICATION, THE PRODUCT SPECIFICATION TAKES PRECEDENT.

MECHANICAL:

NORMAL FORCE (NOMINAL): .57N [58g] SIGNAL  
ENGAGEMENT FORCE (NOMINAL): .32N [33g] SIGNAL  
SEPARATION FORCE (NOMINAL): .20N [20g] SIGNAL  
WIPE (NOMINAL, SHORTEST CONTACT): 2.67 [.105] SIGNAL  
MATE/UNMATE CYCLES: 250  
APPLICATION: THIS MODULE IS NOT SUITABLE FOR STAND-ALONE USE. (REFER TO IEC-61076-4-101)

ELECTRICAL:

CURRENT RATING (FULLY LOADED): 1A @ 70°C SIGNAL  
INSULATION RESISTANCE: 1 X 10<sup>4</sup> MΩ @ 100 V<sub>DC</sub>  
WITHSTANDING VOLTAGE: 750V<sub>RMS</sub>

ENVIRONMENTAL:

TEMPERATURE RATING: -55°C TO 125°C  
PROCESS RATING: MAX. 260°C (PER J-STD-020C)  
WITHSTANDING VOLTAGE: 1 (PER J-STD-020C)

3M™ ELECTRONIC SOLUTIONS DIVISION  
INTERCONNECT SOLUTIONS  
<http://www.3mconnectors.com>

3M IS A TRADEMARK OF 3M COMPANY.  
FOR TECHNICAL, SALES OR ORDERING  
INFORMATION CALL 800-225-5373

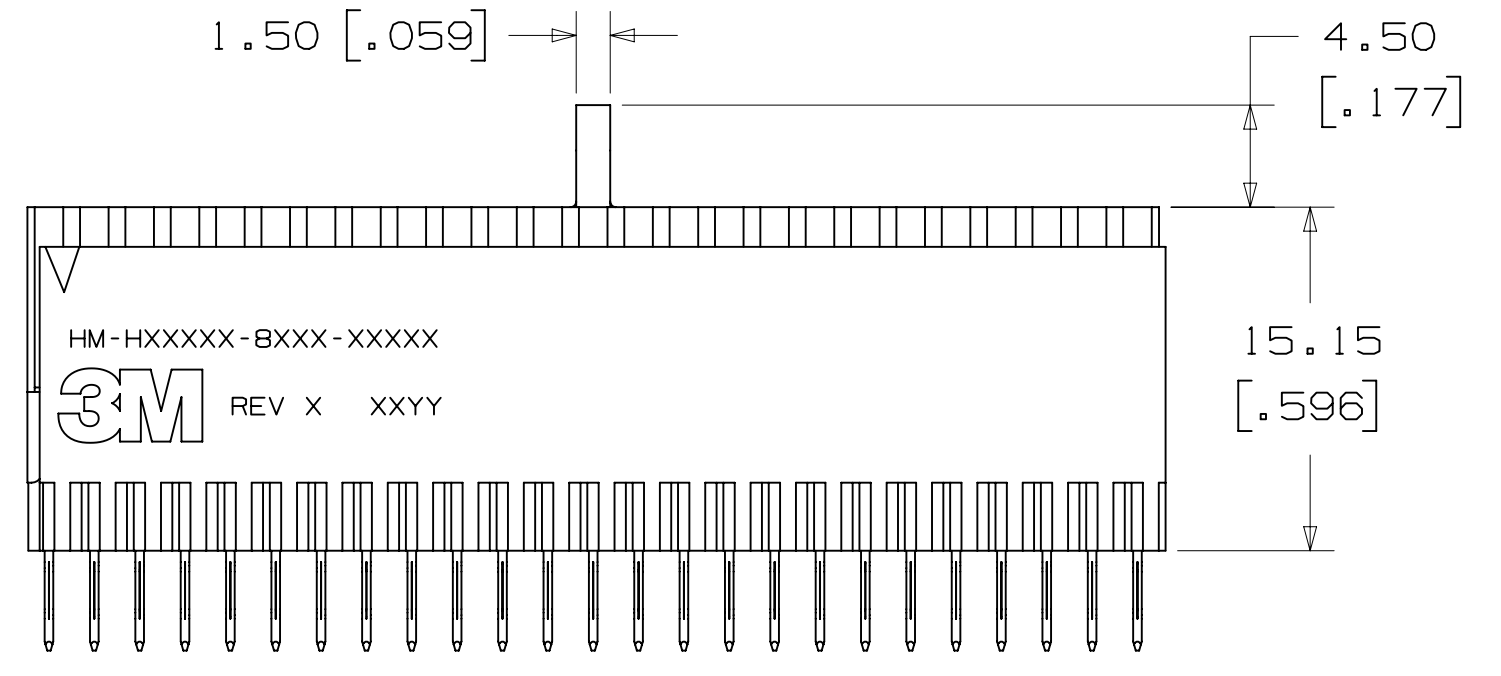
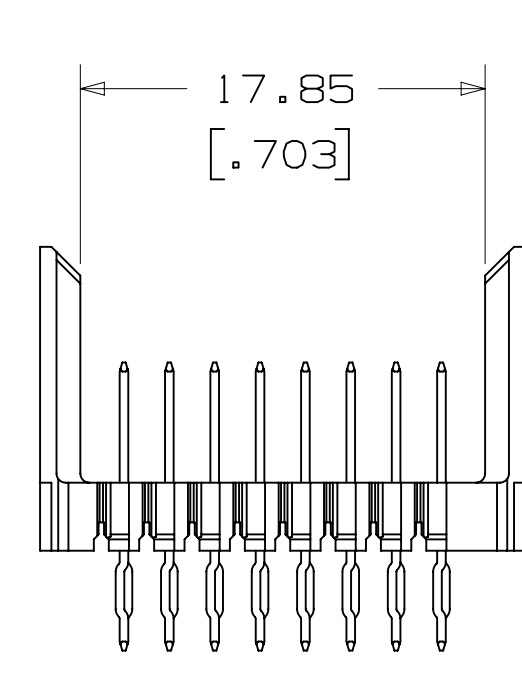
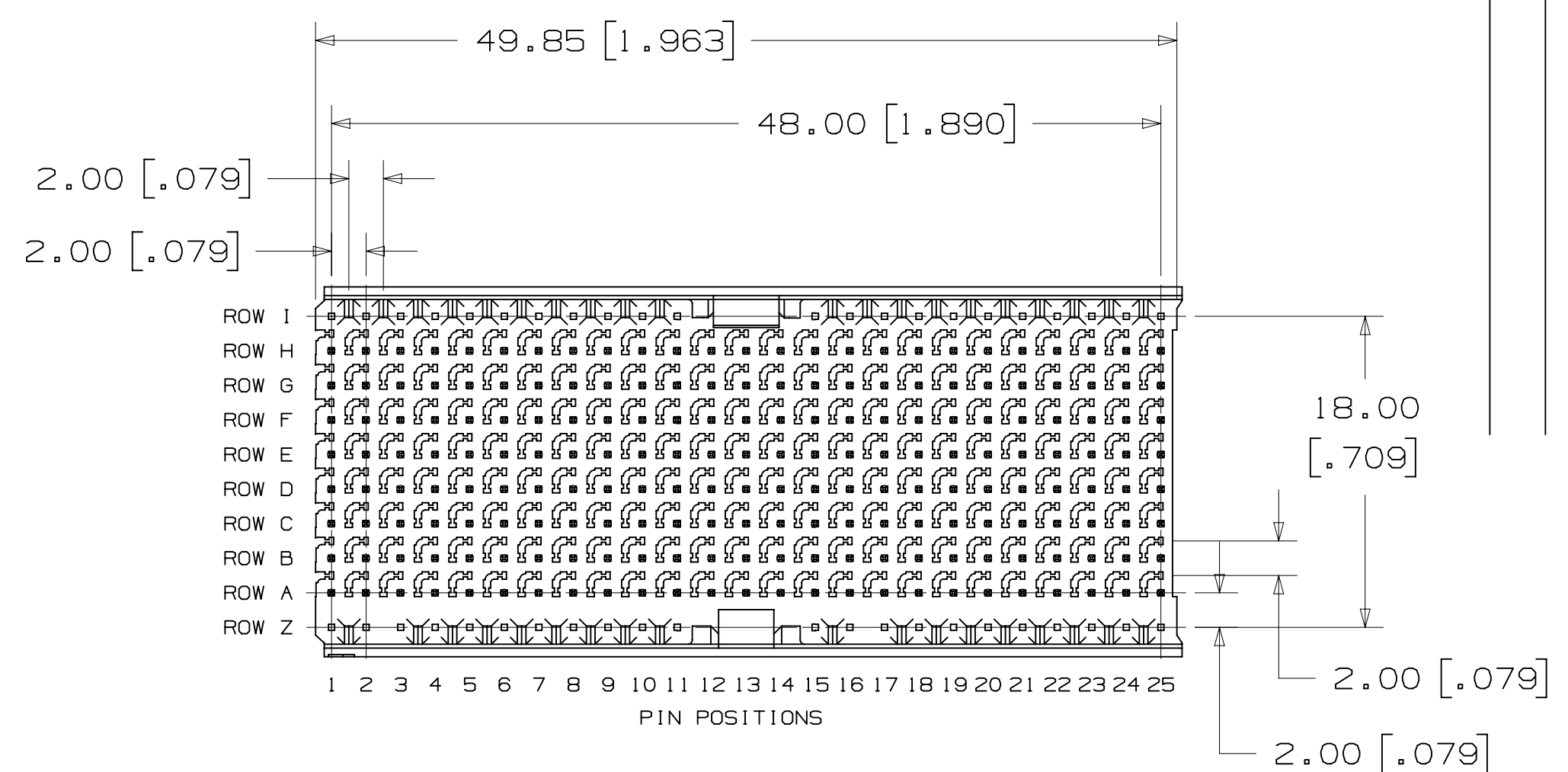
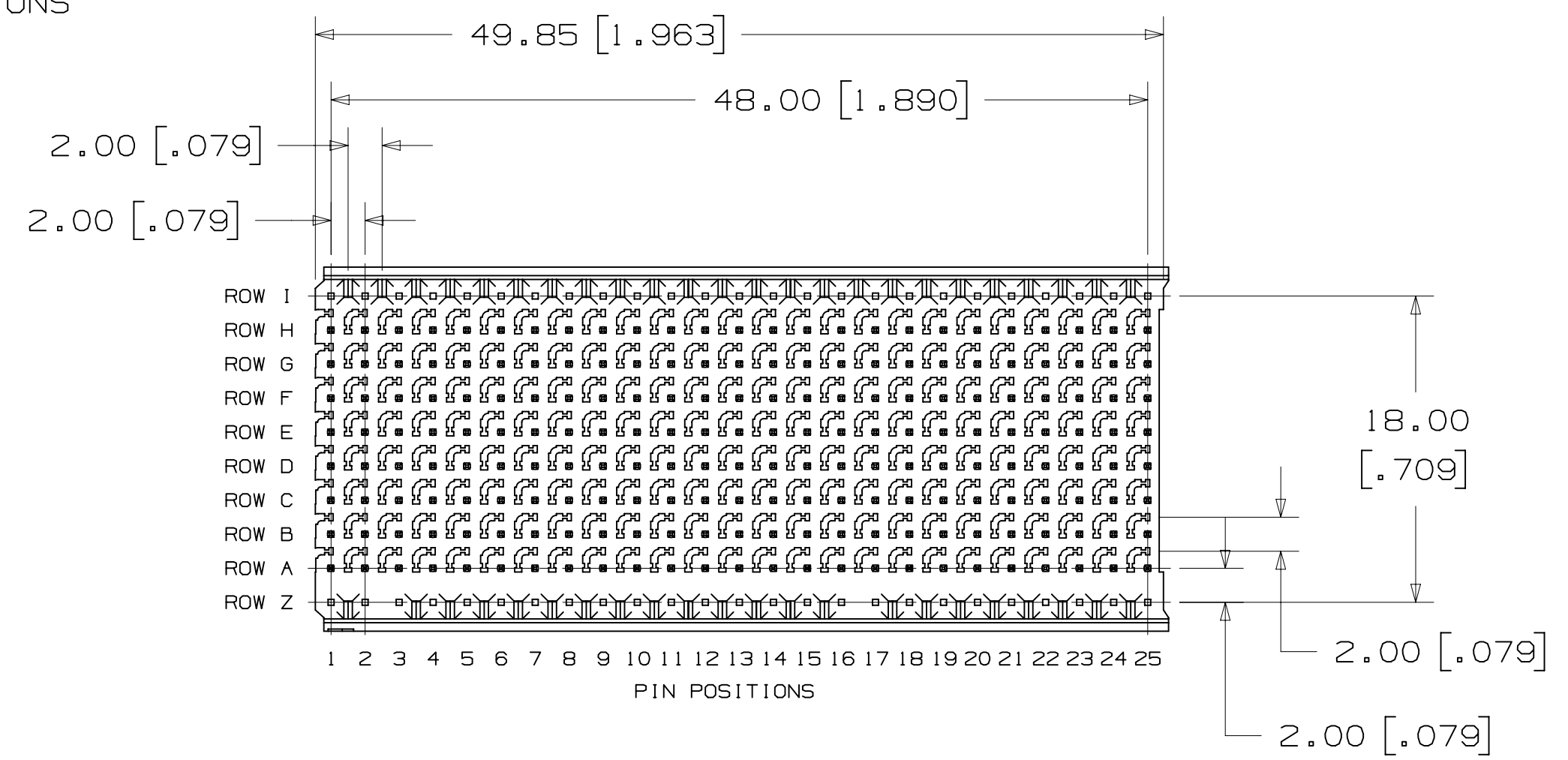
**CAUS**  
UL FILE NO: E68080

DIMENSIONS: MM [ INCHES ]

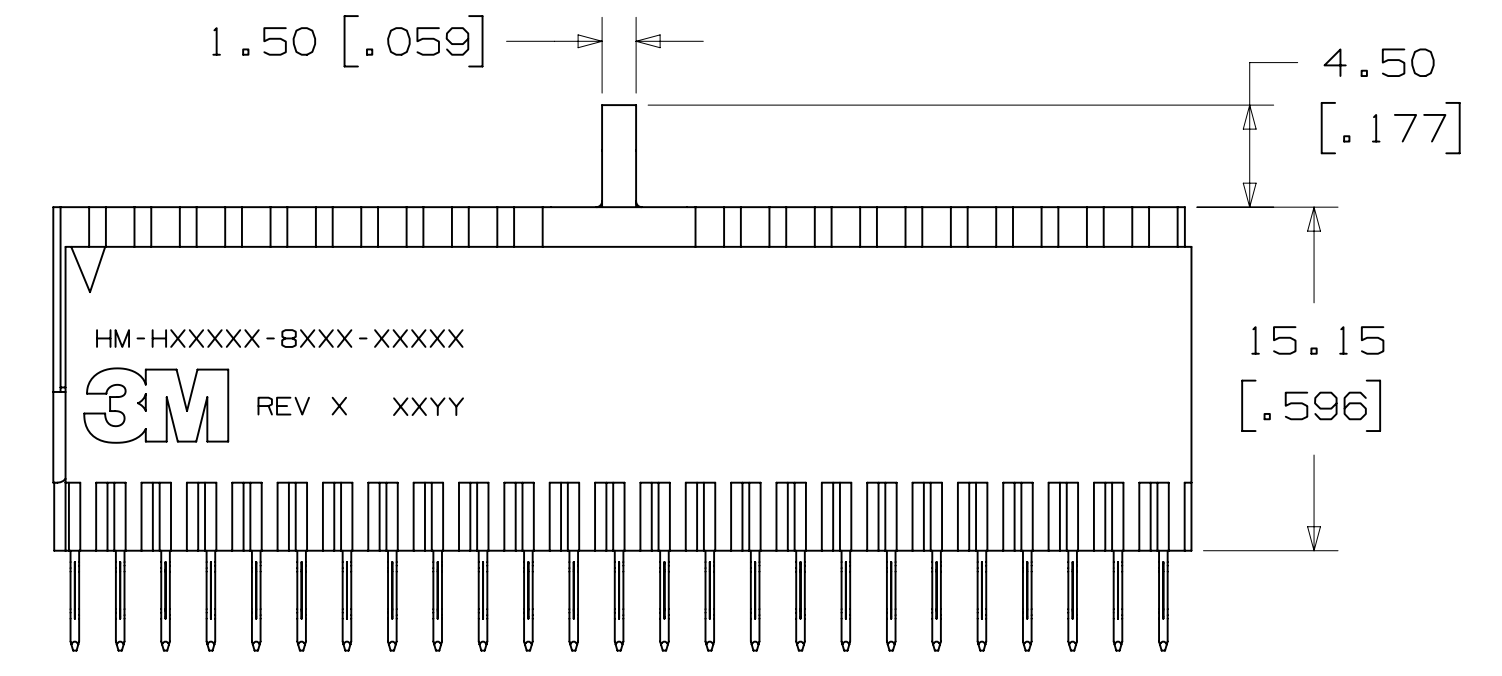
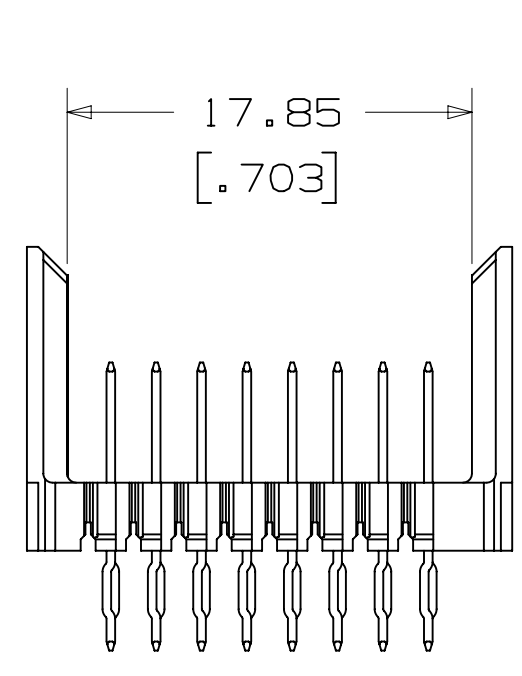
DESIGN REFERENCE	NEXT ASSEMBLY	REV	ECO	ISSUE DATE AND DESCRIPTION	DRFT	CHKD
				MAR 28, 2012		
DIVISION		DIVISION CODE		DATE		
Interconnect Solutions		ISD		T. SUNIGA		
DO NOT SCALE DRAWING	SCALE 5/2	TOLERANCES EXCEPT AS NOTED		DATE		
THIRD ANGLE PROJECTION		INCHES		DATE		
INTERPRET PER ASME Y14.5 - 1994		MILLIMETERS		DATE		
MAX SURFACE ROUGHNESS		.00 ± .01		DATE		
SURFACES		.000 ± .005		DATE		
MARKED ONLY		.000 ± .000		DATE		
		.00 ± .13		DATE		
		.000 ± .000		DATE		
		.00 ± .03		DATE		
		.00 ± .13		DATE		
		.000 ± .000		DATE		
		.00 ± .03		DATE		
		.00 ± .13		DATE		
		.000 ± .000		DATE		
		.00 ± .03		DATE		
		.00 ± .13		DATE		
		.000 ± .000		DATE		
		.00 ± .03		DATE		
		.00 ± .13		DATE		
		.000 ± .000		DATE		
		.00 ± .03		DATE		
		.00 ± .13		DATE		
		.000 ± .000		DATE		
		.00 ± .03		DATE		
		.00 ± .13		DATE		
		.000 ± .000		DATE		
		.00 ± .03		DATE		
		.00 ± .13		DATE		
		.000 ± .000		DATE		
		.00 ± .03		DATE		
		.00 ± .13		DATE		
		.000 ± .000		DATE		
		.00 ± .03		DATE		
		.00 ± .13		DATE		
		.000 ± .000		DATE		
		.00 ± .03		DATE		
		.00 ± .13		DATE		
		.000 ± .000		DATE		
		.00 ± .03		DATE		
		.00 ± .13		DATE		
		.000 ± .000		DATE		
		.00 ± .03		DATE		
		.00 ± .13		DATE		
		.000 ± .000		DATE		
		.00 ± .03		DATE		
		.00 ± .13		DATE		
		.000 ± .000		DATE		
		.00 ± .03		DATE		
		.00 ± .13		DATE		
		.000 ± .000		DATE		
		.00 ± .03		DATE		
		.00 ± .13		DATE		
		.000 ± .000		DATE		
		.00 ± .03		DATE		
		.00 ± .13		DATE		
		.000 ± .000		DATE		
		.00 ± .03		DATE		
		.00 ± .13		DATE		
		.000 ± .000		DATE		
		.00 ± .03		DATE		
		.00 ± .13		DATE		
		.000 ± .000		DATE		
		.00 ± .03		DATE		
		.00 ± .13		DATE		
		.000 ± .000		DATE		
		.00 ± .03		DATE		
		.00 ± .13		DATE		
		.000 ± .000		DATE		
		.00 ± .03		DATE		
		.00 ± .13		DATE		
		.000 ± .000		DATE		
		.00 ± .03		DATE		
		.00 ± .13		DATE		
		.000 ± .000		DATE		
		.00 ± .03		DATE		
		.00 ± .13		DATE		
		.000 ± .000		DATE		
		.00 ± .03		DATE		
		.00 ± .13		DATE		
		.000 ± .000		DATE		
		.00 ± .03		DATE		
		.00 ± .13		DATE		
		.000 ± .000		DATE		
		.00 ± .03		DATE		
		.00 ± .13		DATE		
		.000 ± .000		DATE		
		.00 ± .03		DATE		
		.00 ± .13		DATE		
		.000 ± .000		DATE		
		.00 ± .03		DATE		
		.00 ± .13		DATE		
		.000 ± .000		DATE		
		.00 ± .03		DATE		
		.00 ± .13		DATE		
		.000 ± .000		DATE		
		.00 ± .03		DATE		
		.00 ± .13		DATE		
		.000 ± .000		DATE		
		.00 ± .03		DATE		
		.00 ± .13		DATE		
		.000 ± .000		DATE		
		.00 ± .03		DATE		
		.00 ± .13		DATE		
		.000 ± .000		DATE		
		.00 ± .03		DATE		
		.00 ± .13		DATE		
		.000 ± .000		DATE		
		.00 ± .03		DATE		
		.00 ± .13		DATE		
		.000 ± .000		DATE		
		.00 ± .03		DATE		
		.00 ± .13		DATE		
		.000 ± .000		DATE		
		.00 ± .03		DATE		
		.00 ± .13		DATE		
		.000 ± .000		DATE		
		.00 ± .03		DATE		
		.00 ± .13		DATE		
		.000 ± .000		DATE		
		.00 ± .03		DATE		
		.00 ± .13		DATE		
		.000 ± .000		DATE		
		.00 ± .03		DATE		
		.00 ± .13		DATE		
		.000 ± .000		DATE		
		.00 ± .03		DATE		
		.00 ± .13		DATE		
		.000 ± .000		DATE		
		.00 ± .03		DATE		
		.00 ± .13		DATE		
		.000 ± .000		DATE		
		.00 ± .03		DATE		
		.00 ± .13		DATE		
		.000 ± .000		DATE		
		.00 ± .03		DATE		
		.00 ± .13		DATE		
		.000 ± .000		DATE		
		.00 ± .03		DATE		
		.00 ± .13		DATE		
		.000 ± .000		DATE		
		.00 ± .03		DATE		
		.00 ± .13		DATE		
		.000 ± .000		DATE		
		.00 ± .03		DATE		
		.00 ± .13		DATE		
		.000 ± .000		DATE		
		.00 ± .03		DATE		
		.00 ± .13		DATE		
		.000 ± .000		DATE		
		.00 ± .03		DATE		
		.00 ± .13		DATE		
		.000 ± .000		DATE		
		.00 ± .03		DATE		
		.00 ± .13		DATE		
		.000 ± .000		DATE		
		.00 ± .03		DATE		
		.00 ± .13		DATE		
		.000 ± .000		DATE		
		.00 ± .03		DATE		
		.00 ± .13		DATE		
		.000 ± .000		DATE		
		.00 ± .03		DATE		
		.00 ± .13		DATE		
		.000 ± .000		DATE		
		.00 ± .03		DATE		
		.00 ± .13		DATE		
		.000 ± .000		DATE		
		.00 ± .03		DATE		
		.00 ± .13		DATE		
		.000 ± .000		DATE		
		.00 ± .03		DATE		
		.00 ± .13		DATE		
		.000 ± .000		DATE		
		.00 ± .03		DATE		
		.00 ± .13		DATE		
		.000 ± .000		DATE		
		.00 ± .03		DATE		
		.00 ± .13		DATE		
		.000 ± .000		DATE		
		.00 ± .03		DATE		
		.00 ± .13		DATE		
		.000 ± .000		DATE		
		.00 ± .03		DATE		
		.00 ± .13		DATE		
		.000 ± .000		DATE		
		.00 ± .03		DATE		
		.00 ± .13		DATE		
		.000 ± .000		DATE		
		.00 ± .03		DATE		
		.00 ± .13		DATE		
		.000 ± .000		DATE		
		.00 ± .03		DATE		
		.00 ± .13		DATE		
		.000 ± .000		DATE		
		.00 ± .03		DATE		
		.00 ± .13		DATE		
		.000 ± .000		DATE		
		.00 ± .03		DATE		
		.00 ± .13		DATE		
		.000 ± .000		DATE		
		.00 ± .03		DATE		
		.00 ± .13		DATE		
		.000 ± .000		DATE		
		.00 ± .03		DATE		
		.00 ± .13		DATE		
		.000 ± .000		DATE		
		.00 ± .03		DATE		
		.00 ± .13		DATE		
		.000 ± .000		DATE		
		.00 ± .03		DATE		
		.00 ± .13		DATE		
		.000 ± .000		DATE		
		.00 ± .03		DATE		
		.00 ± .13		DATE		
		.000 ± .000		DATE		
		.00 ± .03		DATE		
		.00 ± .13		DATE		
		.000 ± .000		DATE		
		.00 ± .03		DATE		
		.00 ± .13		DATE		

3M™ HM PRESS-FIT HEADER, 8-ROW, HM SERIES  
FOR HARD METRIC APPLICATIONS

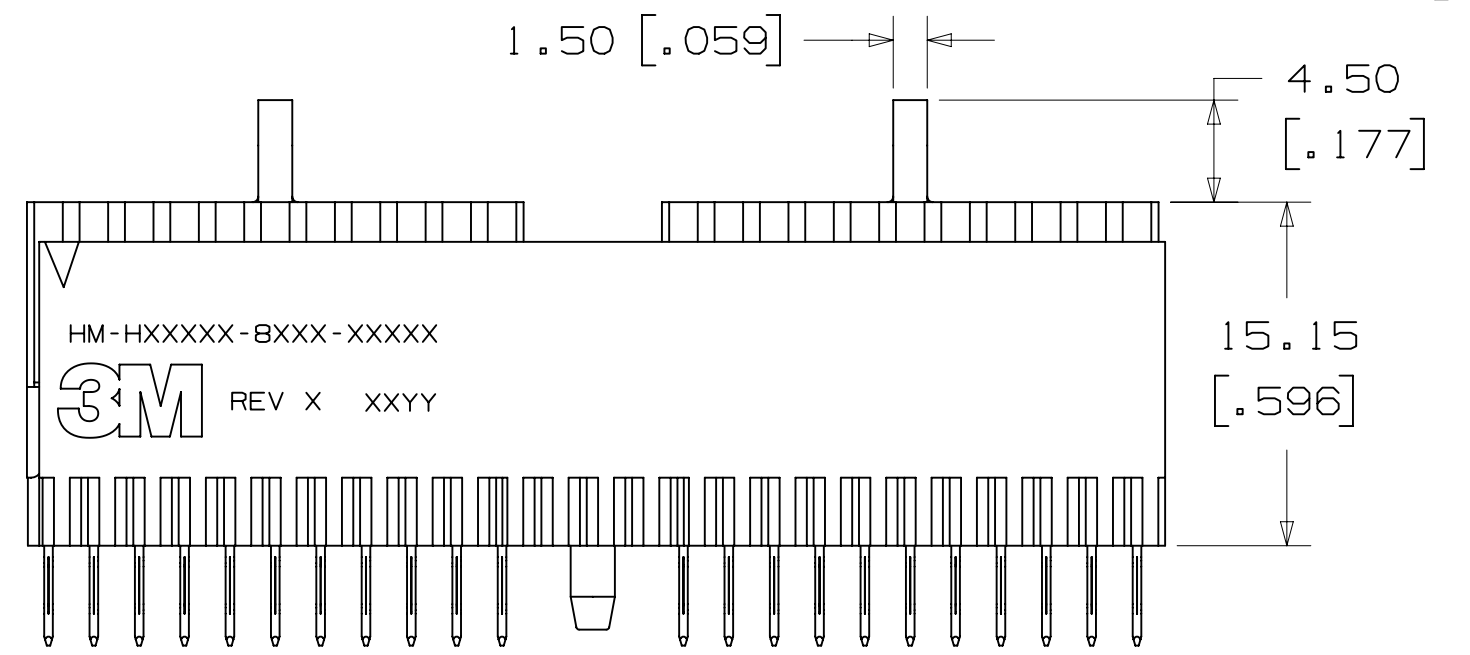
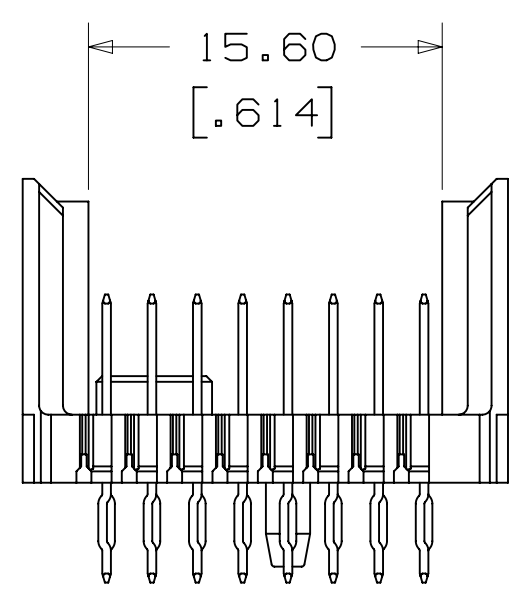
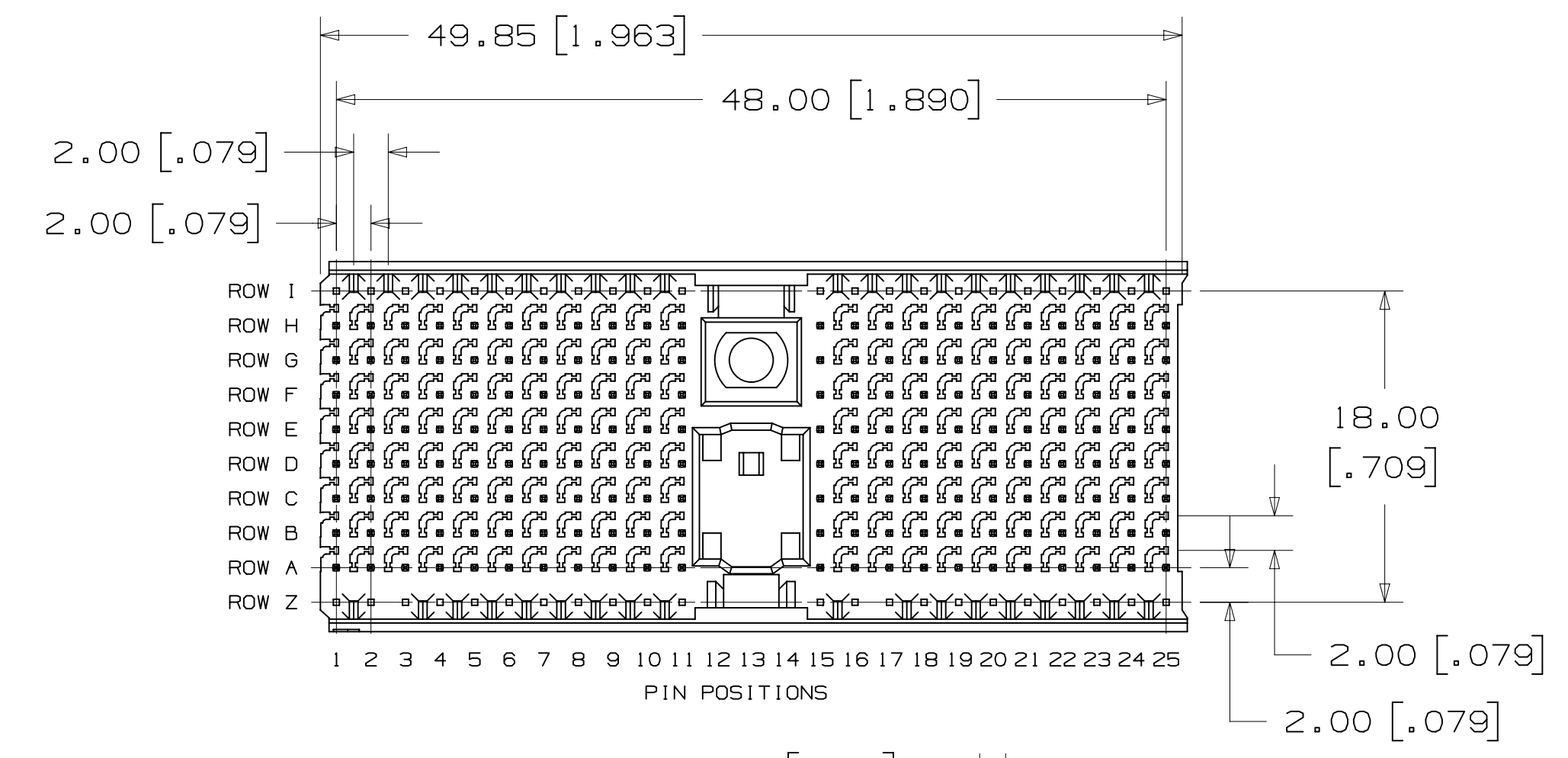
NOTES  
1 CAPS TO BE REMOVED AFTER PRESS-FIT INSTALLATION PROCESS.



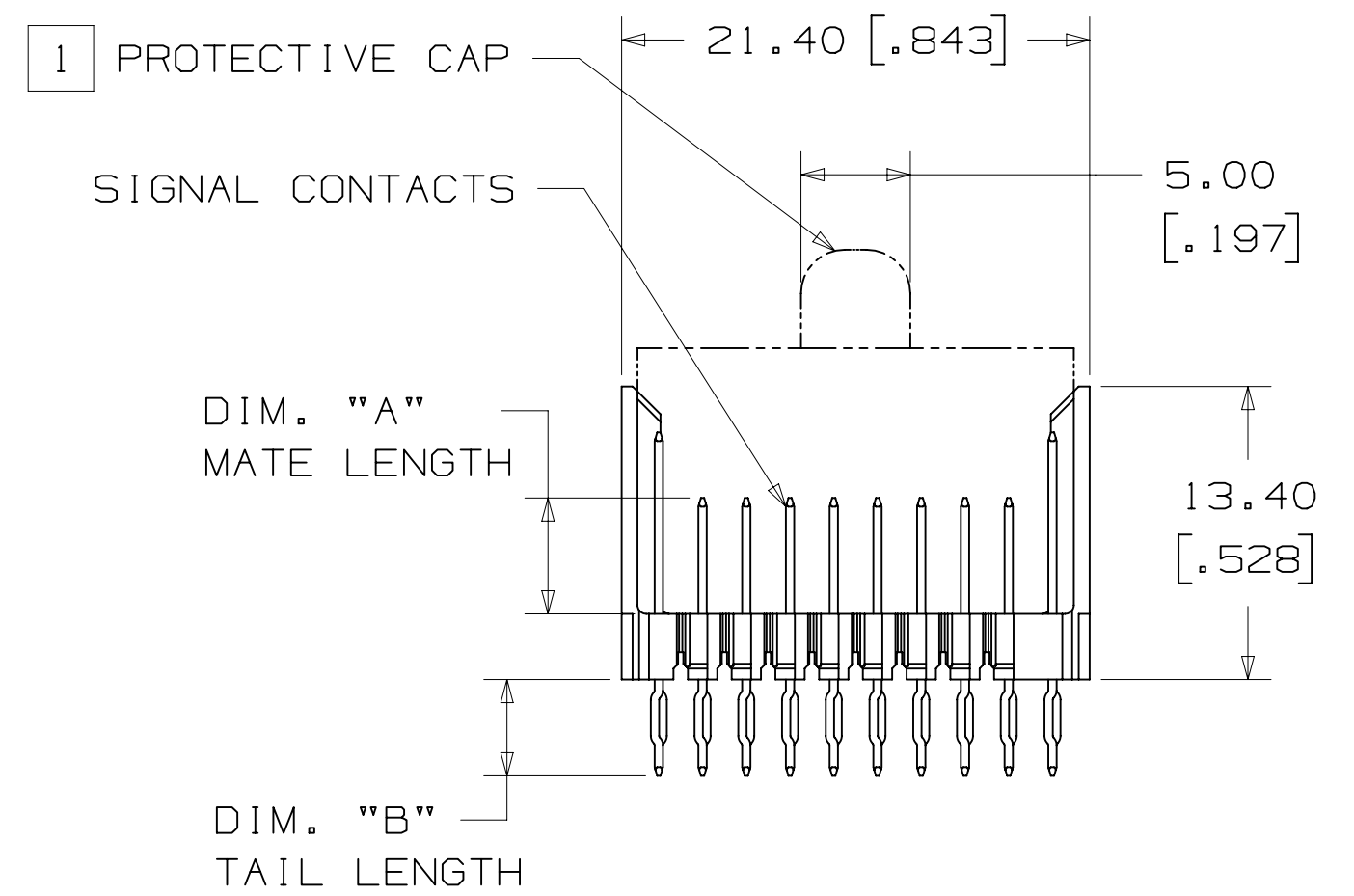
HM-H200E1-8CX1  
HM-H244E2-8BX1



HM-H200DE1-8CX1  
HM-H244DE2-8BX1



HM-H176D1-8CX1  
HM-H220D2-8BX1



TYPICAL SIDE VIEW DIMENSIONS FOR THE HEADERS ON THIS DRAWING

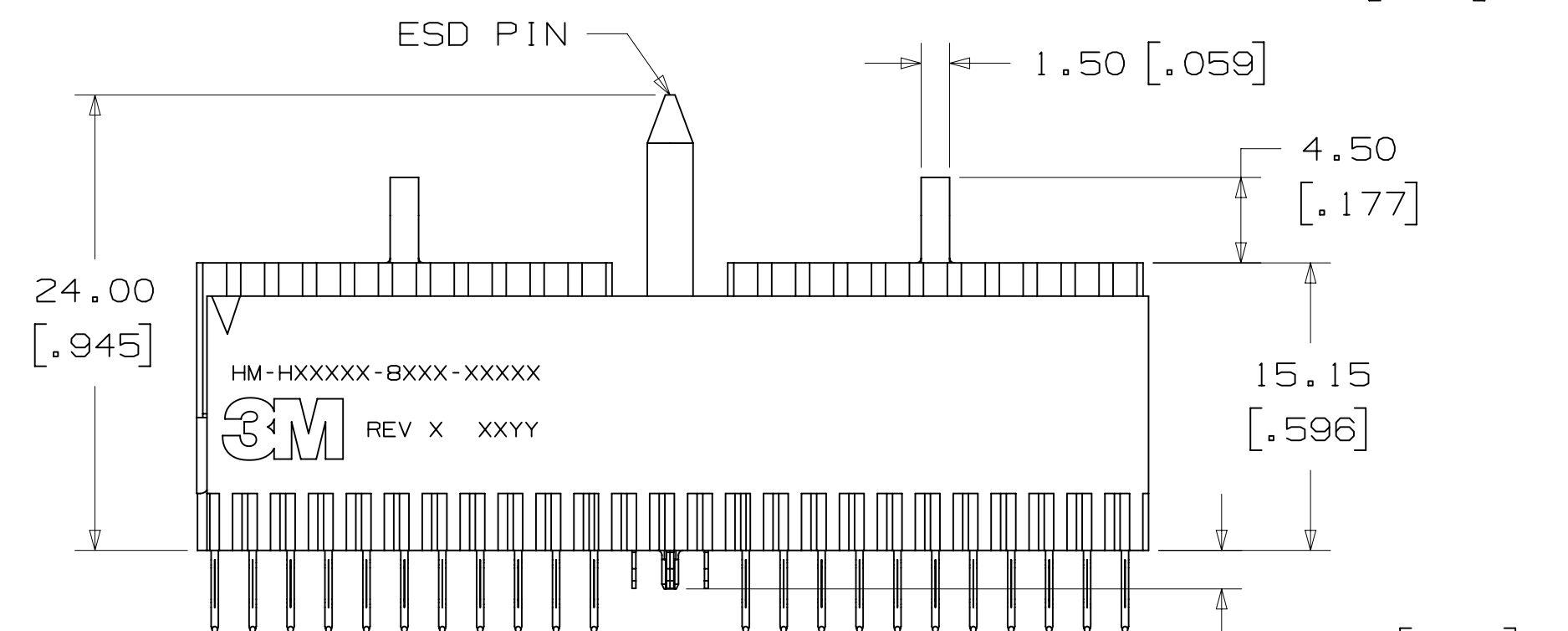
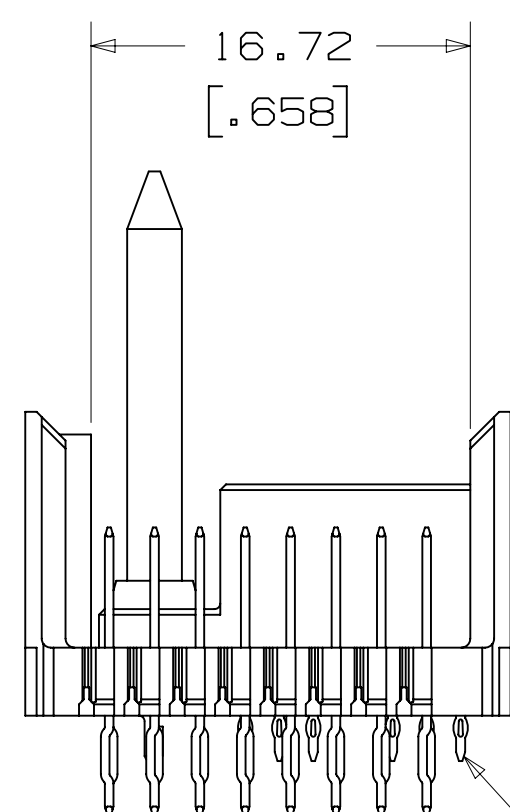
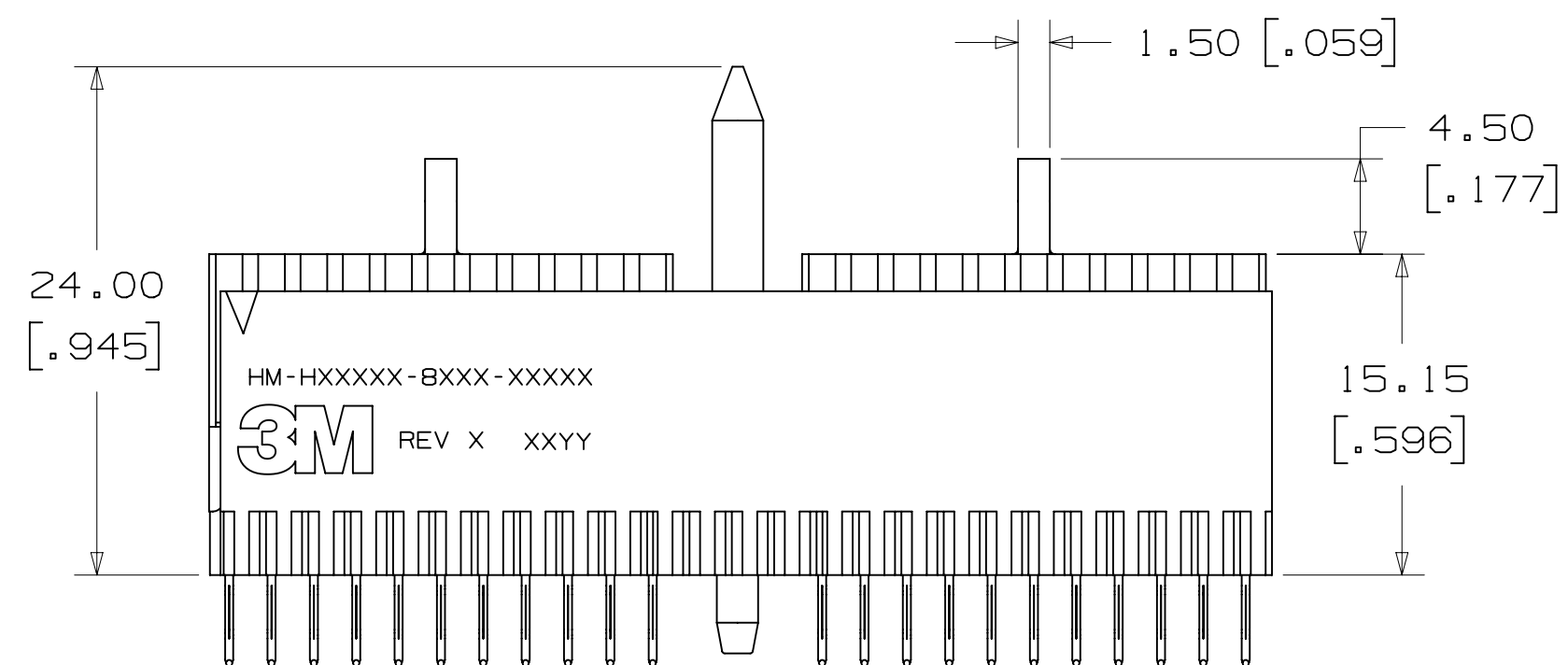
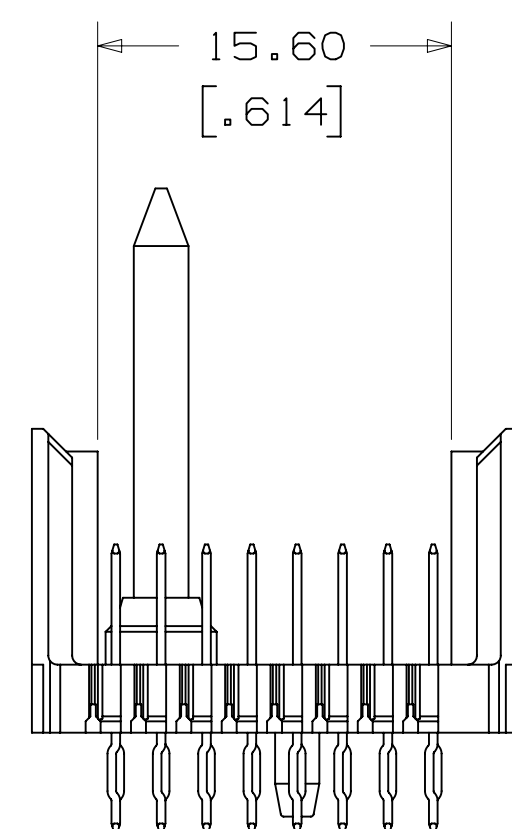
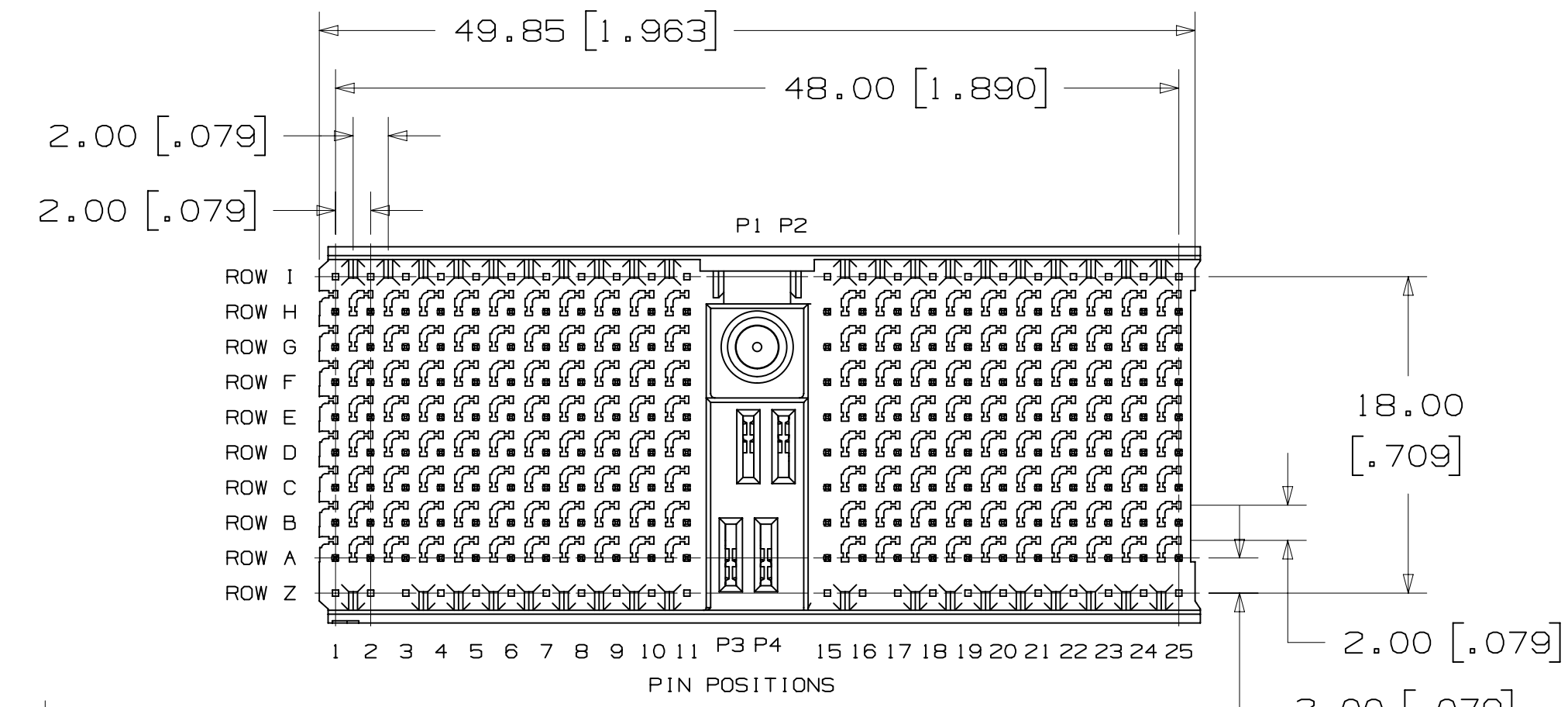
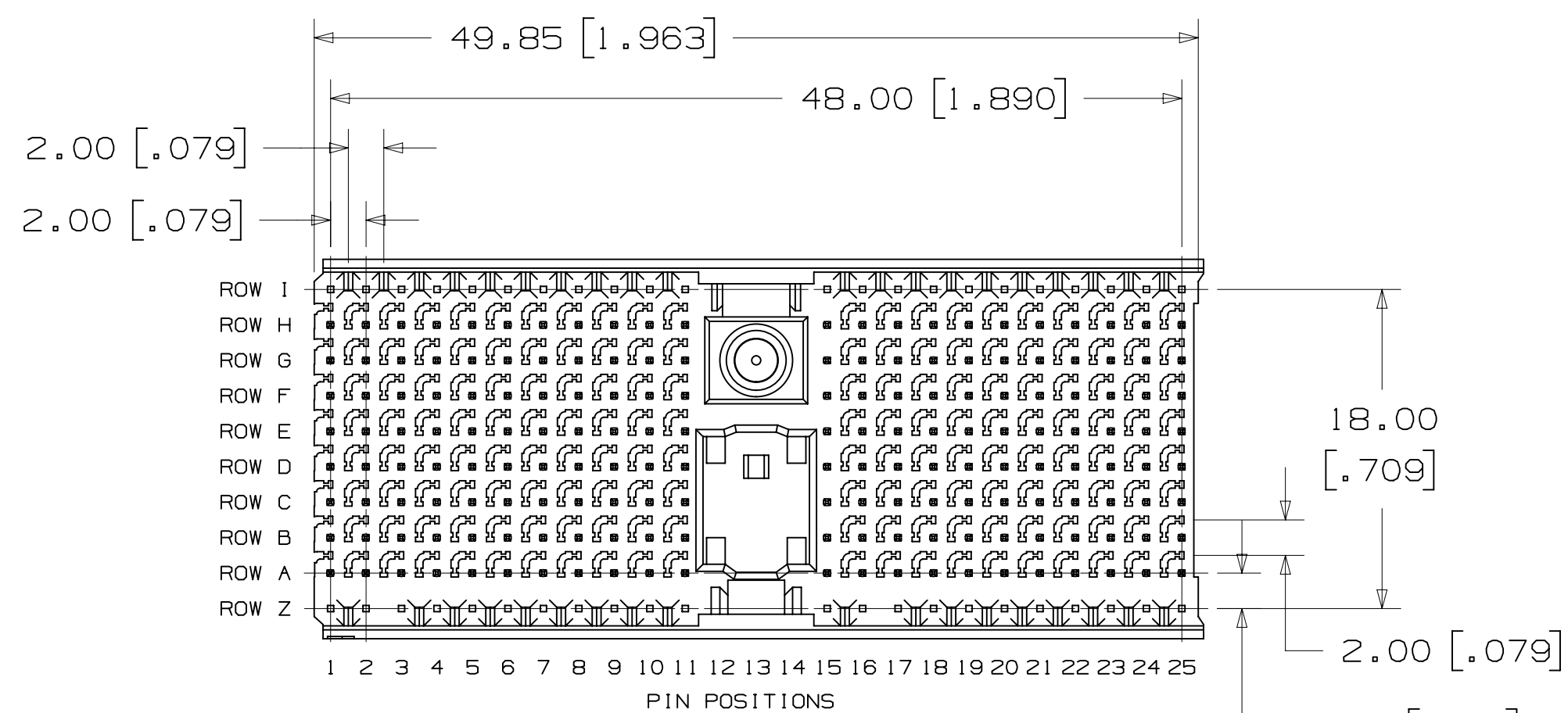
STANDARD CONFIGURATION  
DIM. "A" 5.3 [.21] FOR ROWS A THRU H  
DIM. "B" 4.4 [.17] EXCEPT AS NOTED  
FOR NON-STANDARD CONFIGURATIONS CONTACT A 3M SALES REPRESENTATIVE

DESIGN REFERENCE	NEXT ASSEMBLY	REV	ECO	ISSUE DATE AND DESCRIPTION	DRFT	CHKD
				MFG DATE		
DIVISION		DIVISION CODE		DATE		
Interconnect Solutions		ISD		DATE		
DO NOT SCALE DRAWING	SCALE 3/1	TOLERANCES EXCEPT AS NOTED		DATE		
THIRD ANGLE PROJECTION		INCHES		DATE		
INTERPRET PER ASME Y14.5 - 1994		MILLIMETERS		DATE		
MAX SURFACE ROUGHNESS		SURFACES		DATE		
MARKED ONLY		ANGLES		DATE		
A 39815		MAR 28, 2012		JNC TS		
ECO		PRODUCTION RELEASE		DRFT		CHKD
CASTIGLIONE		MAR 28, 2012		DATE		
DATE		APPRV		DATE		
DATE		T. SUNIGA		MAR 28, 2012		
3M		© 3M COPYRIGHT 2012		This document and the information it contains are 3M property and may not be reproduced or further distributed without 3M permission, or used or disclosed other than for 3M authorized purposes. All rights reserved.		
TITLE		HM PRESS-FIT HEADER, 8-ROW, HM SERIES				
CAGE NUMBER	SIZE	DRAWING NO.	REV.			
D		78-5100-2517-0	A			
MODEL	DET	LISTS	YES	NO	SHT 2 OF 4	

78-5100-2517-0  
DRAWING NUMBER

# 3M™ HM PRESS-FIT HEADER, 8-ROW, HM SERIES

FOR HARD METRIC APPLICATIONS



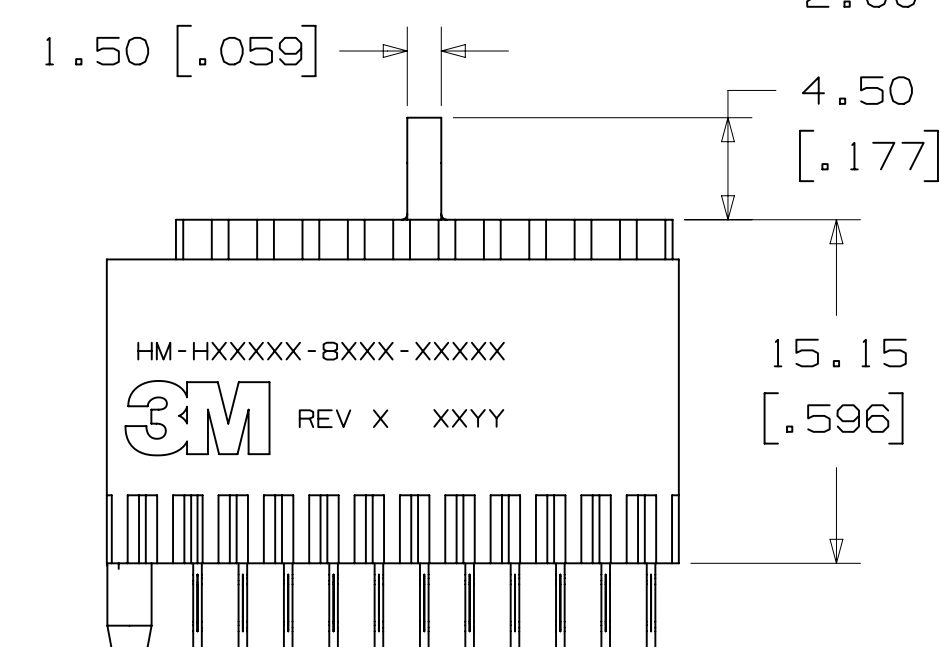
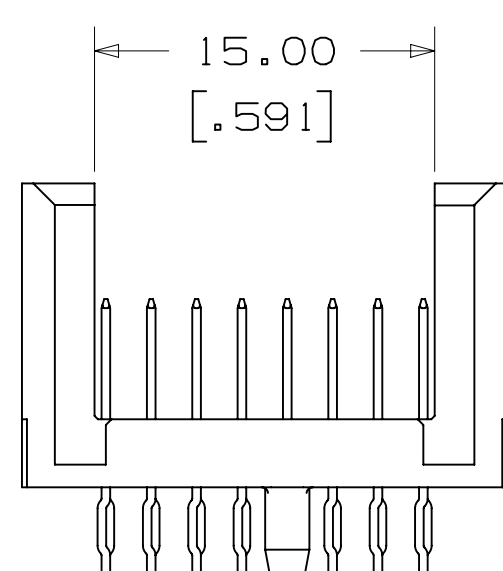
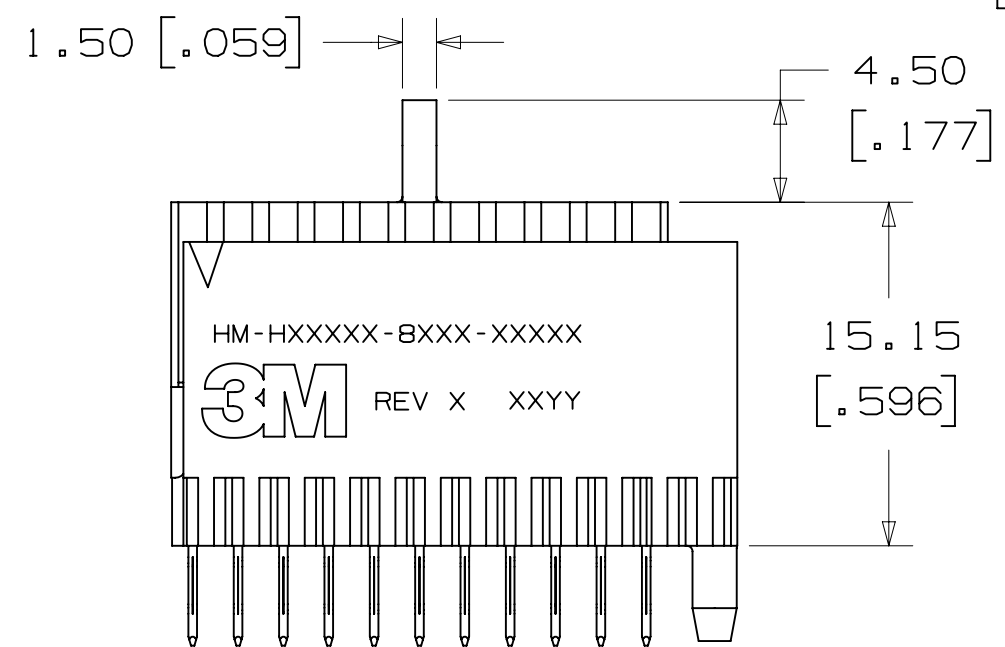
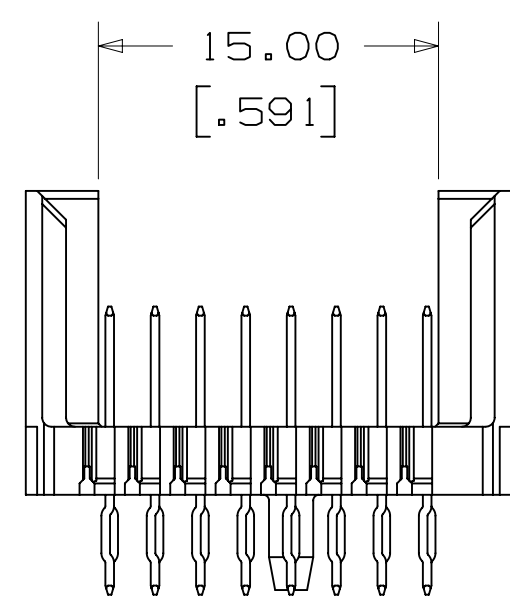
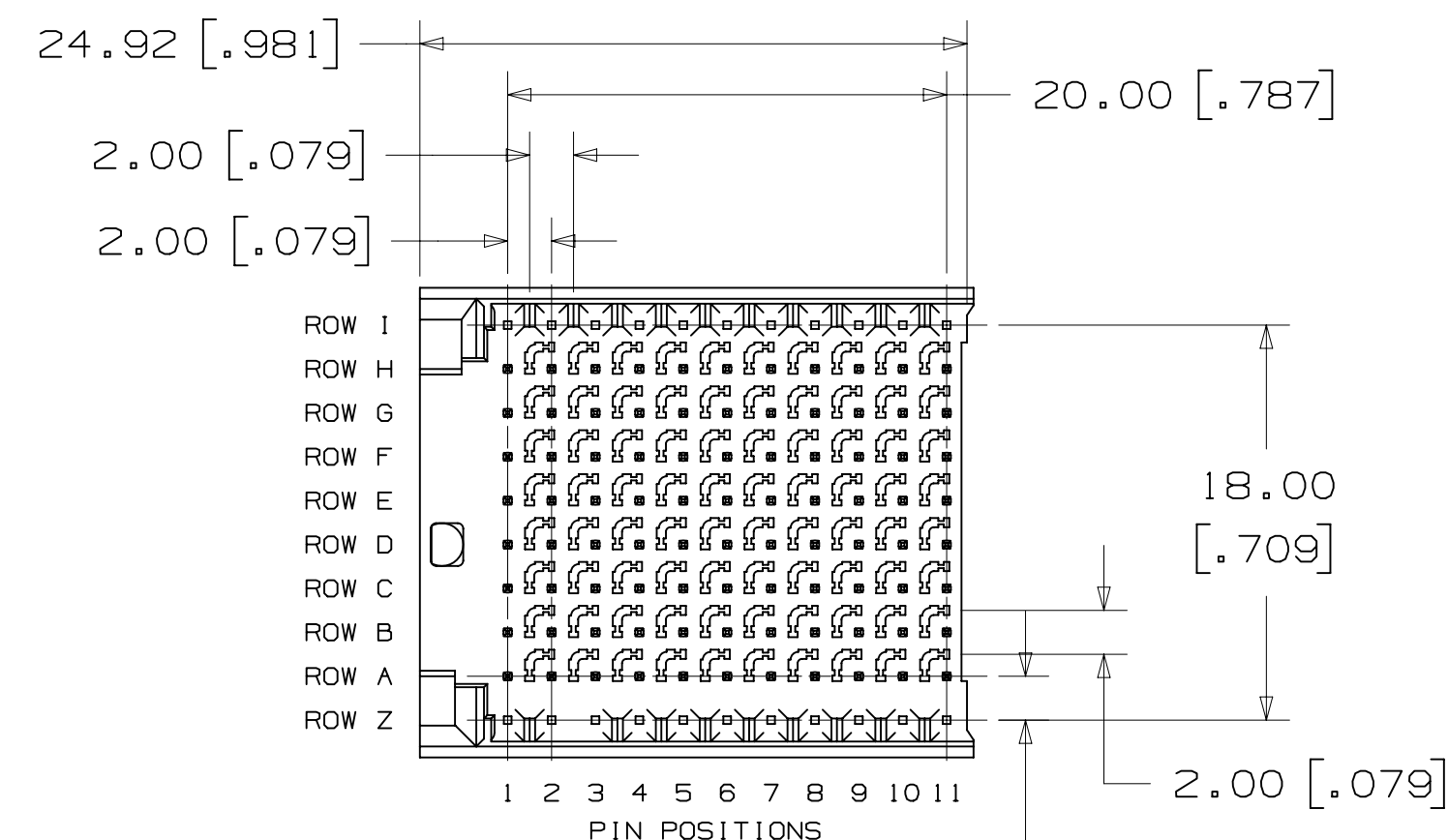
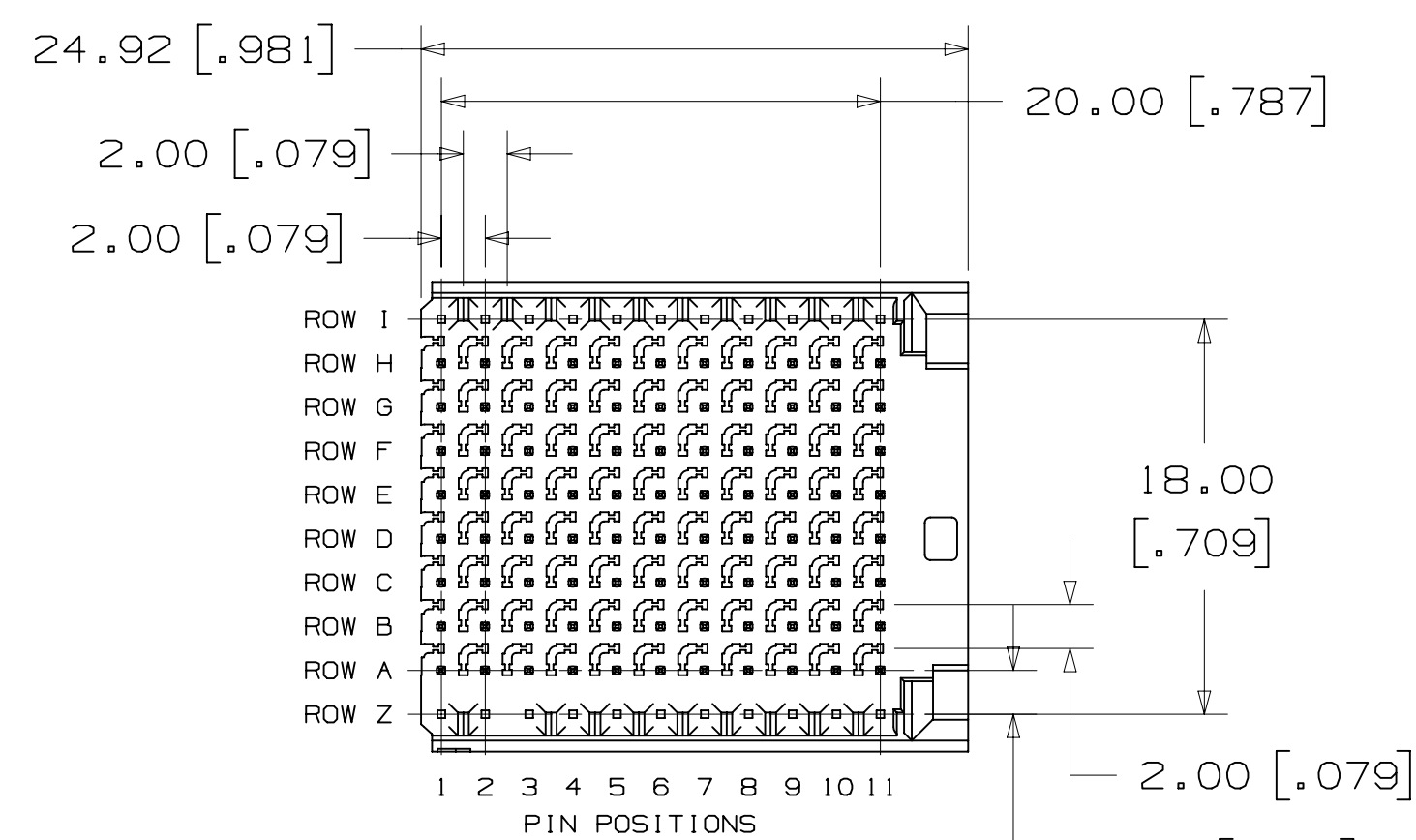
HM-H176DG1-8CX1  
HM-H220DG2-8BX1

POWER TAILS  
(4 CONTACTS,  
12 LEADS)

HM-H176DPWR1-8CXX  
HM-H220DPWR2-8BXX

ESD PIN TAIL  
LENGTH

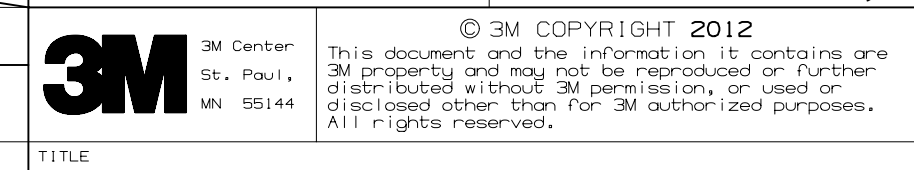
DIM. "B" TAIL LENGTH  
1 = 4.4 [.17] PIN, 2.0 [.08] POWER  
AND 2.0 [.08] ESD  
2 = 4.4 [.17] PIN, 4.4 [.17] POWER  
AND 2.0 [.08] ESD



HM-H088FL1-8CX1  
HM-H110FL2-8BX1

HM-H088FR1-8CX1  
HM-H110FR2-8BXX1

DESIGN REFERENCE	NEXT ASSEMBLY	REV	ECO	ISSUE DATE AND DESCRIPTION	DRFT	CHKD
				MAR 28, 2012		
DIVISION		DIVISION CODE		DATE		
Interconnect Solutions		ISD		MAR 28, 2012		
DO NOT SCALE DRAWING		SCALE 3/1		TOLERANCES EXCEPT AS NOTED		
THIRD ANGLE PROJECTION		INTERPRET PER ASME Y14.5 - 1994		MILLIMETERS		
MAX SURFACE ROUGHNESS		SURFACES		INCHES		
MARKED ONLY		ANGLES		MILLIMETERS		
CAGE NUMBER		SIZE	DRAWING NO.	REV.		
D78-5100-2517-0				A		
MODEL		SHT		3 OF 4		



HM PRESS-FIT HEADER, 8-ROW, HM SERIES

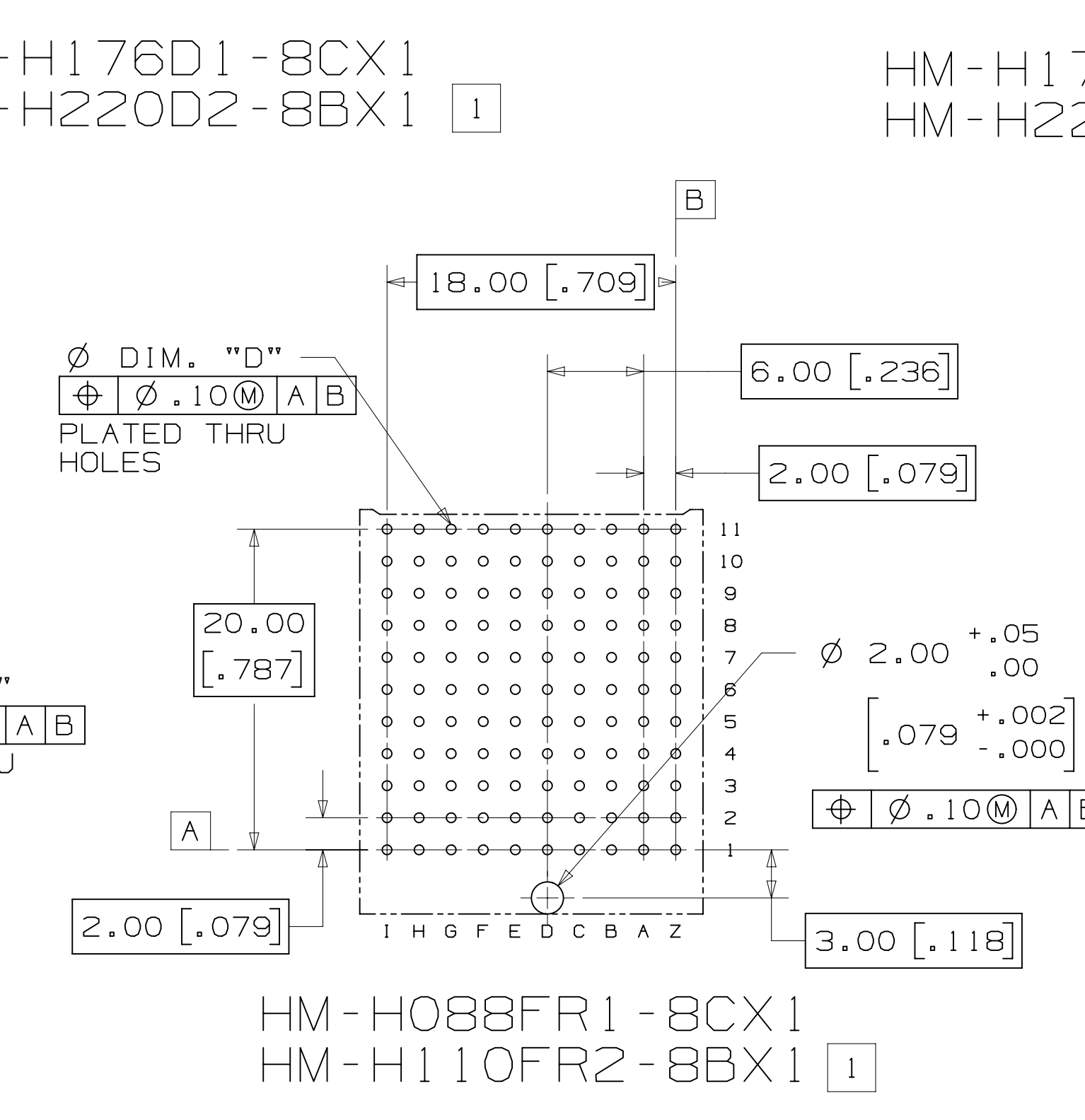
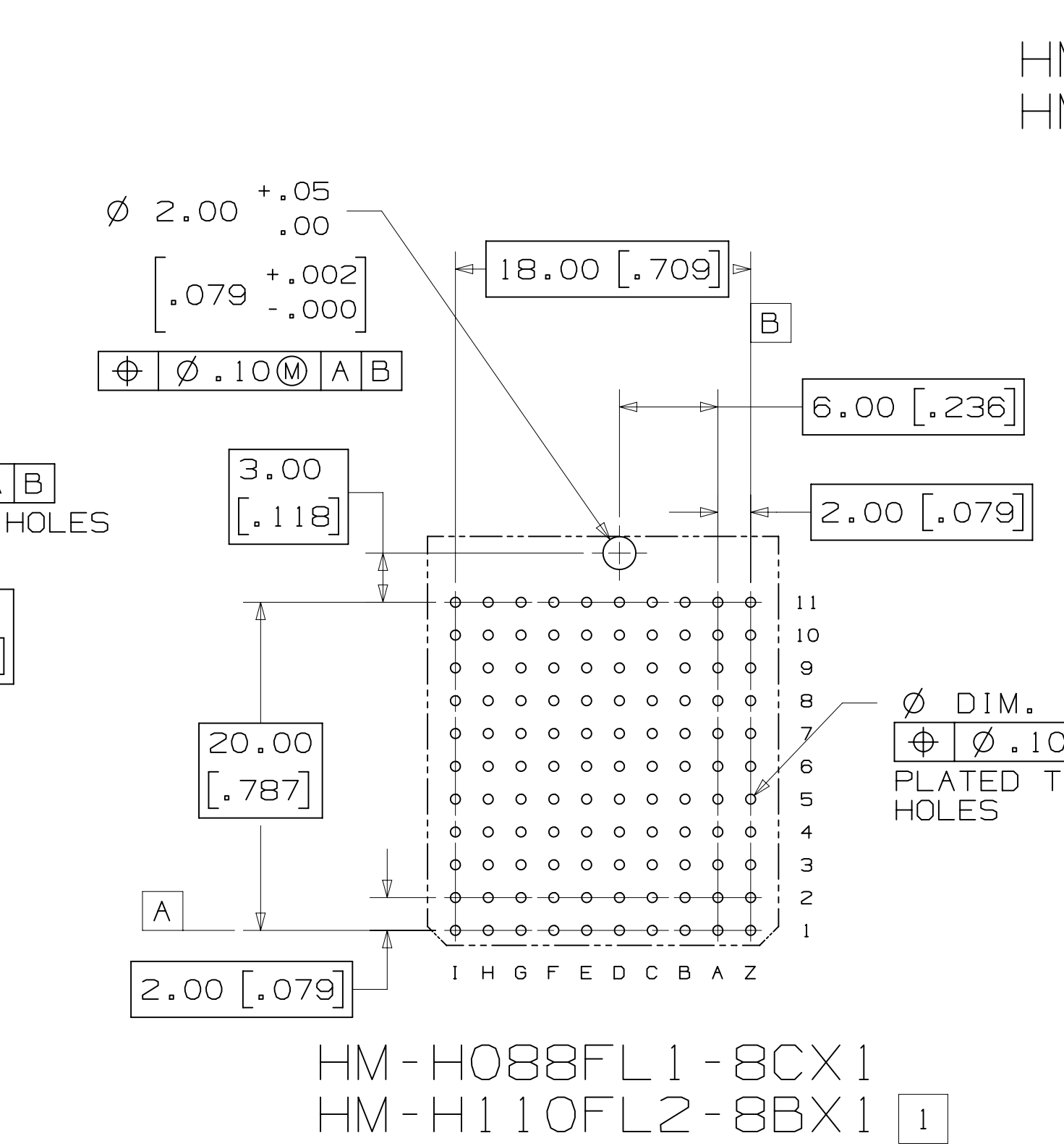
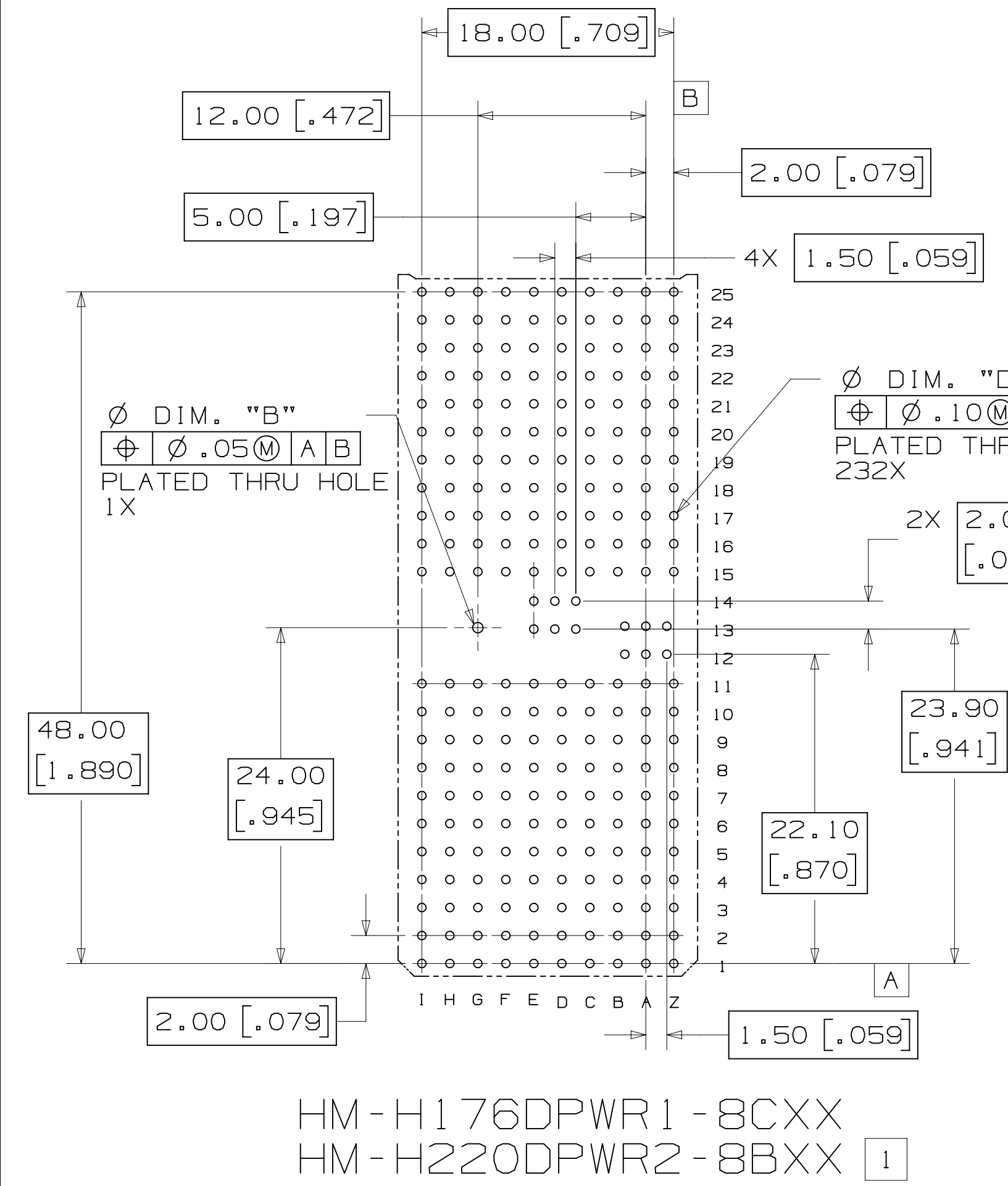
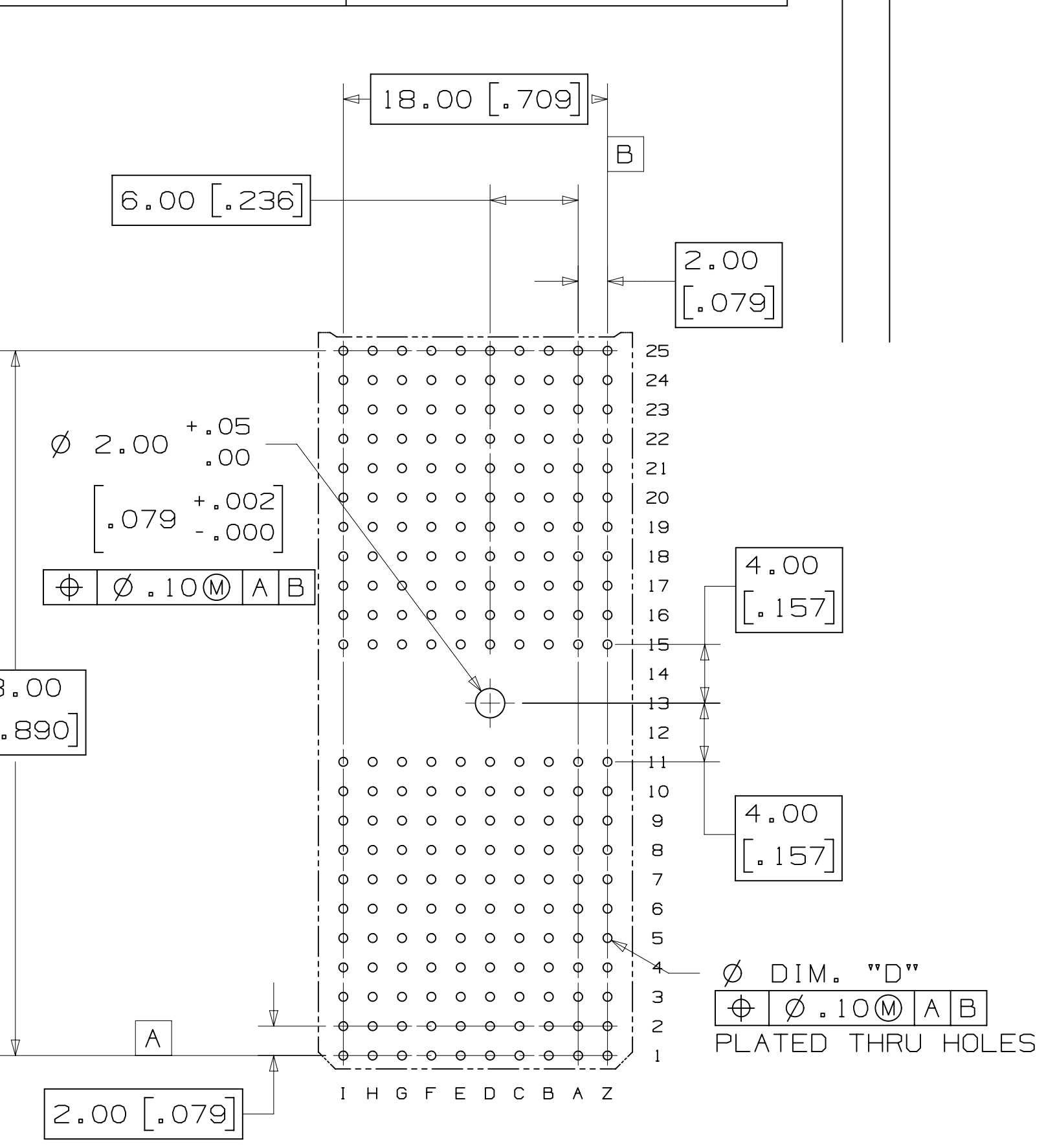
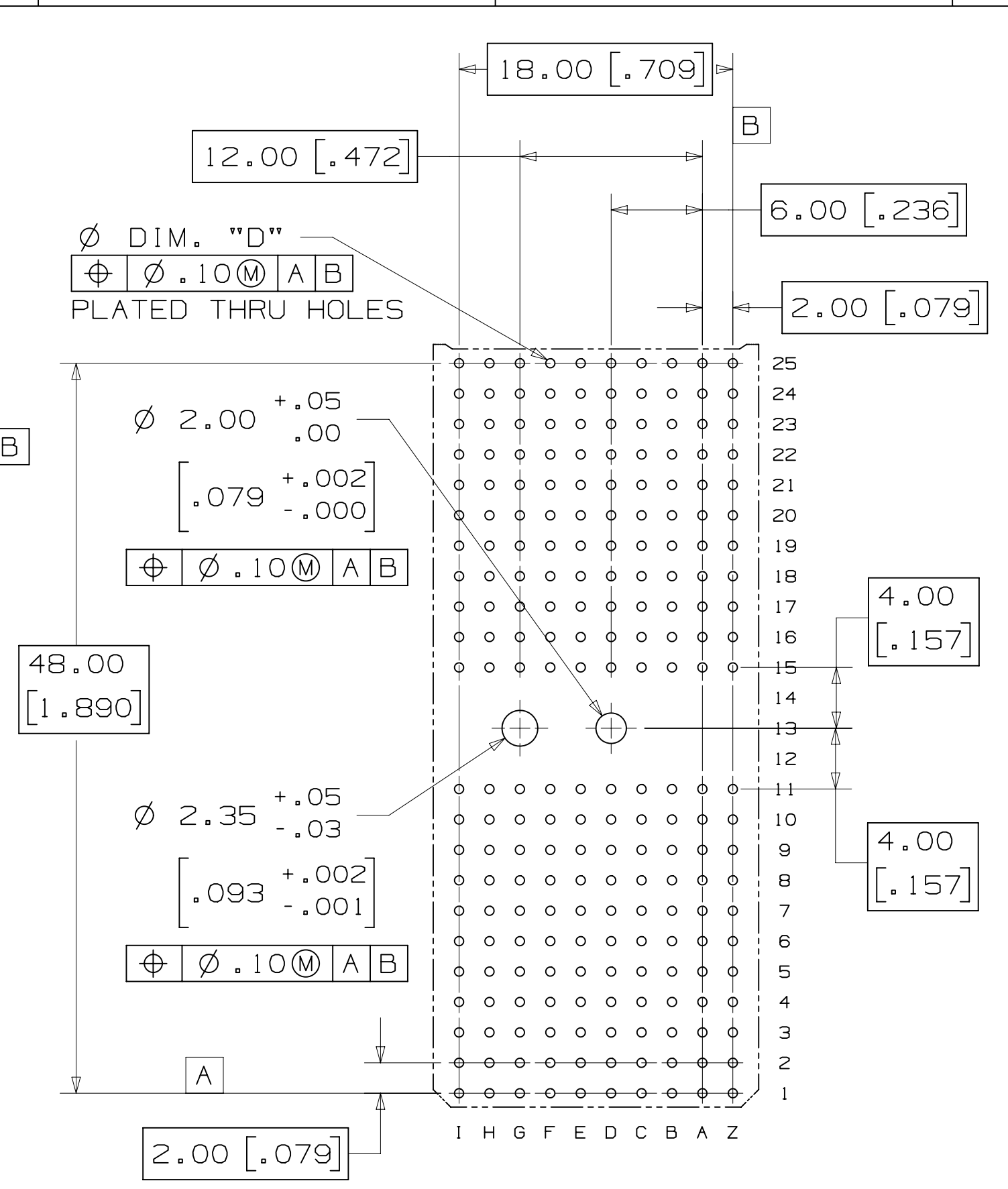
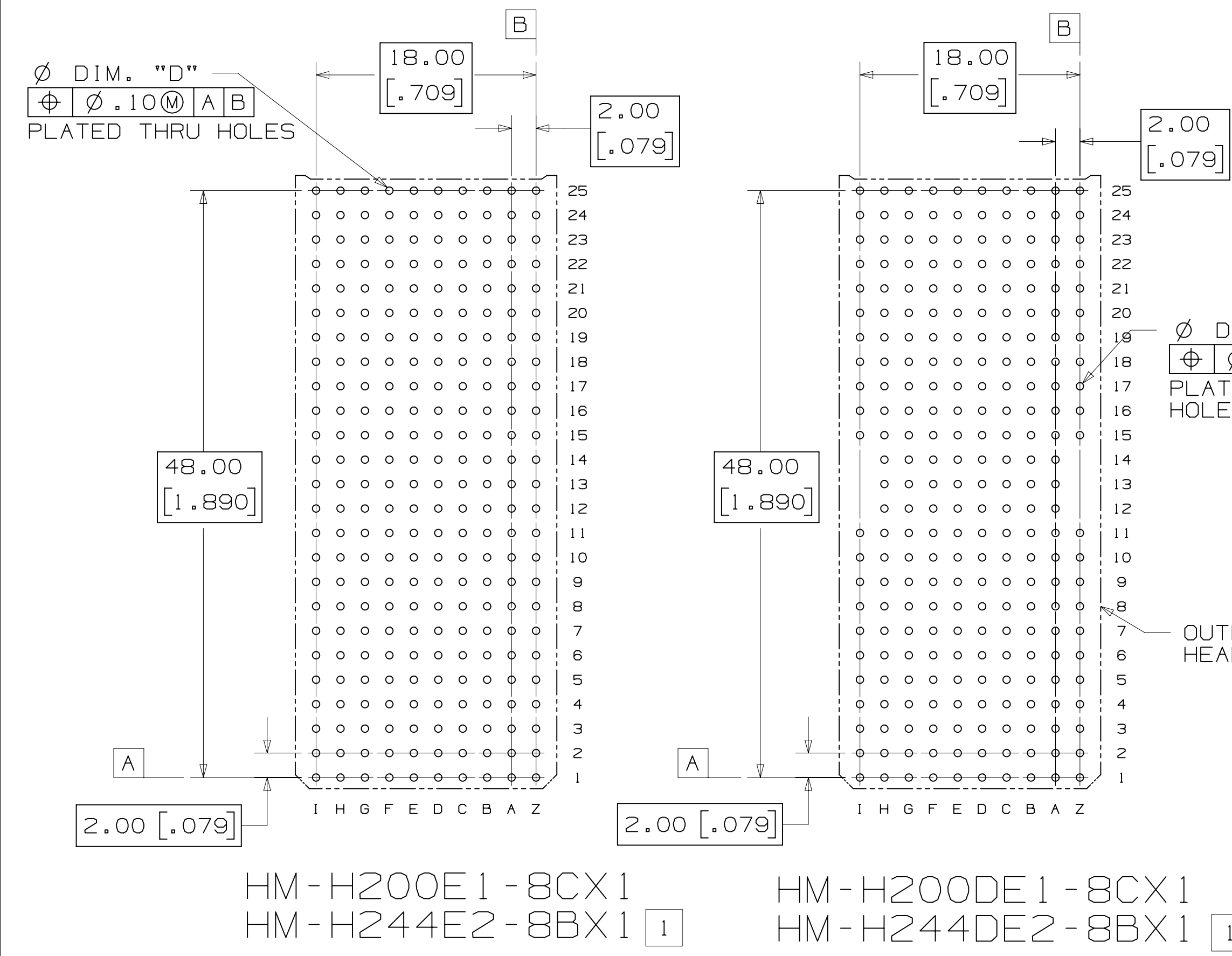
78-5100-2517-0  
DRAWING NUMBER

A

3M™ HM PRESS-FIT HEADER, 8-ROW, HM SERIES  
FOR HARD METRIC APPLICATIONS

HOLE	HOLE PLATING TABLE			
	(FINISHED HOLE)	Cu THICKNESS	SnPb THICKNESS	DRILLED HOLE DIA.
DIM. "B"	.690-.790 [.0270-.0310]	.025-.045 [.0010-.0018]	.008-.018 [.0003-.0007]	.810-.860 [.0320-.0340]
DIM. "D"	.550-.650 [.0217-.0256]	.025-.045 [.0010-.0018]	.008-.018 [.0003-.0007]	.686-.727 [.0270-.0286]

NOTES  
1 ROW 1 AND Z HOLES ARE ONLY USED FOR HM-HXXXX2-8BX1 STYLE HEADER.



RECOMMENDED PCB MOUNTING HOLE PATTERN  
(VIEWED FROM COMPONENT SIDE)

DESIGN REFERENCE	NEXT ASSEMBLY	REV	ECO	ISSUE DATE AND DESCRIPTION	DRFT	CHKD
				MAR 28, 2012		
DIVISION		DIVISION CODE		DATE		
Interconnect Solutions		ISD		MAR 28, 2012		
DO NOT SCALE DRAWING	SCALE 1	TOLERANCES EXCEPT AS NOTED		DATE		
THIRD ANGLE PROJECTION		INCHES		DATE		
INTERPRET PER ASME Y14.5 - 1994		MILLIMETERS		DATE		
MAX SURFACE ROUGHNESS		INCHES		DATE		
SURFACES		MILLIMETERS		DATE		
MARKED ONLY		ANGLES		DATE		

A	39815	MAR 28, 2012	JNC	TS
REV	ECO	ISSUE DATE AND DESCRIPTION	DRFT	CHKD
		MAR 28, 2012		
CHKD	DATE	APPR	DATE	
		T. SUNIGA	MAR 28, 2012	

© 3M COPYRIGT 2012  
This document and the information it contains are 3M property and may not be reproduced or further distributed without 3M permission, or used or disclosed other than for 3M authorized purposes. All rights reserved.

3M Center St. Paul, MN 55144

TITLE  
HM PRESS-FIT HEADER, 8-ROW, HM SERIES

CAGE NUMBER  
D 78-5100-2517-0

REV. A

MODEL  
SHT 4 OF 4

## Данный компонент на территории Российской Федерации

### Вы можете приобрести в компании MosChip.

Для оперативного оформления запроса Вам необходимо перейти по данной ссылке:

<http://moschip.ru/get-element>

Вы можете разместить у нас заказ для любого Вашего проекта, будь то серийное производство или разработка единичного прибора.

В нашем ассортименте представлены ведущие мировые производители активных и пассивных электронных компонентов.

Нашей специализацией является поставка электронной компонентной базы двойного назначения, продукции таких производителей как XILINX, Intel (ex.ALTERA), Vicor, Microchip, Texas Instruments, Analog Devices, Mini-Circuits, Amphenol, Glenair.

Сотрудничество с глобальными дистрибьюторами электронных компонентов, предоставляет возможность заказывать и получать с международных складов практически любой перечень компонентов в оптимальные для Вас сроки.

На всех этапах разработки и производства наши партнеры могут получить квалифицированную поддержку опытных инженеров.

Система менеджмента качества компании отвечает требованиям в соответствии с ГОСТ Р ИСО 9001, ГОСТ РВ 0015-002 и ЭС РД 009

### Офис по работе с юридическими лицами:

105318, г.Москва, ул.Щербаковская д.3, офис 1107, 1118, ДЦ «Щербаковский»

Телефон: +7 495 668-12-70 (многоканальный)

Факс: +7 495 668-12-70 (доб.304)

E-mail: [info@moschip.ru](mailto:info@moschip.ru)

Skype отдела продаж:

moschip.ru

moschip.ru\_4

moschip.ru\_6

moschip.ru\_9