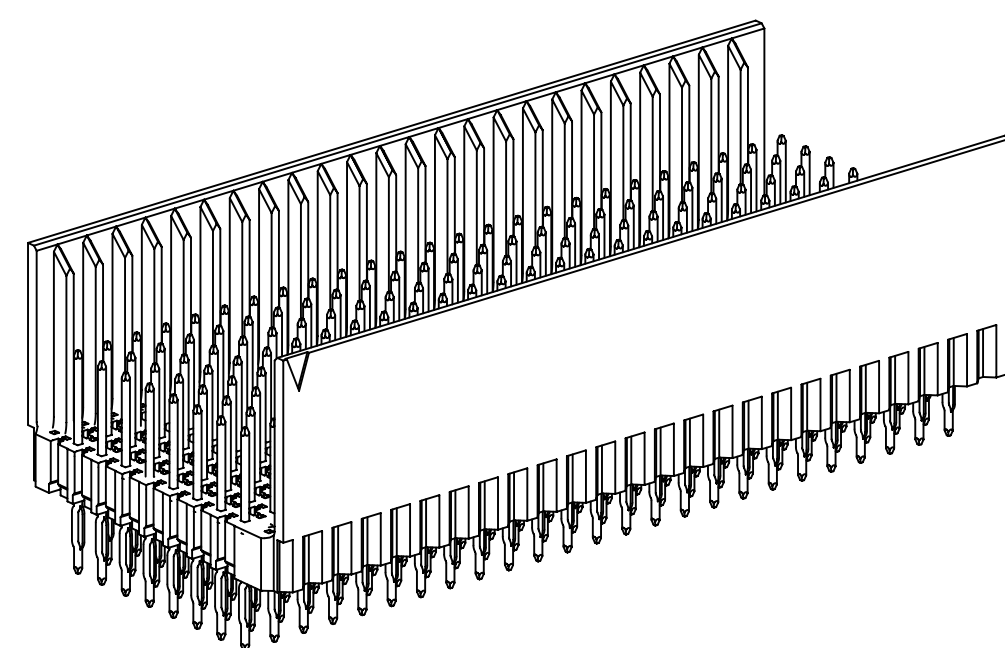
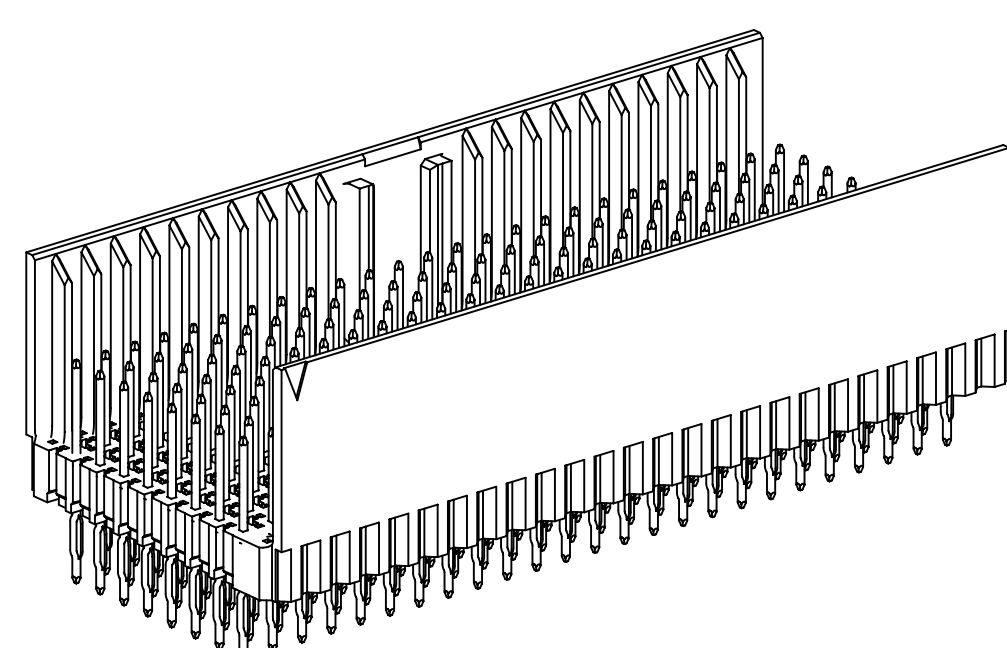


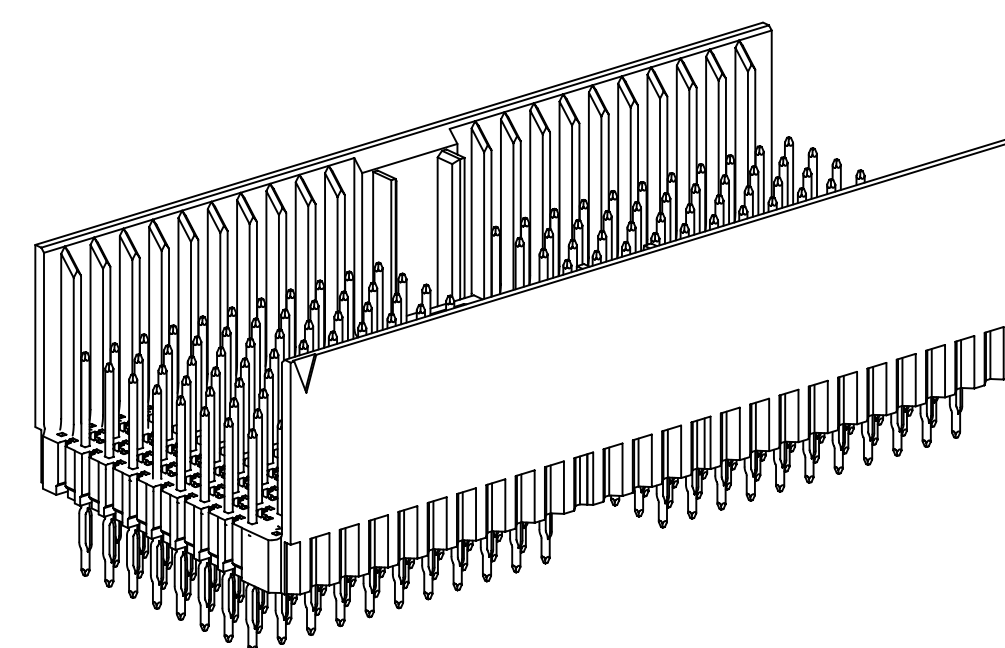
3M™ HM PRESS-FIT HEADER, 8-ROW, HM SERIES
FOR HARD METRIC APPLICATIONS



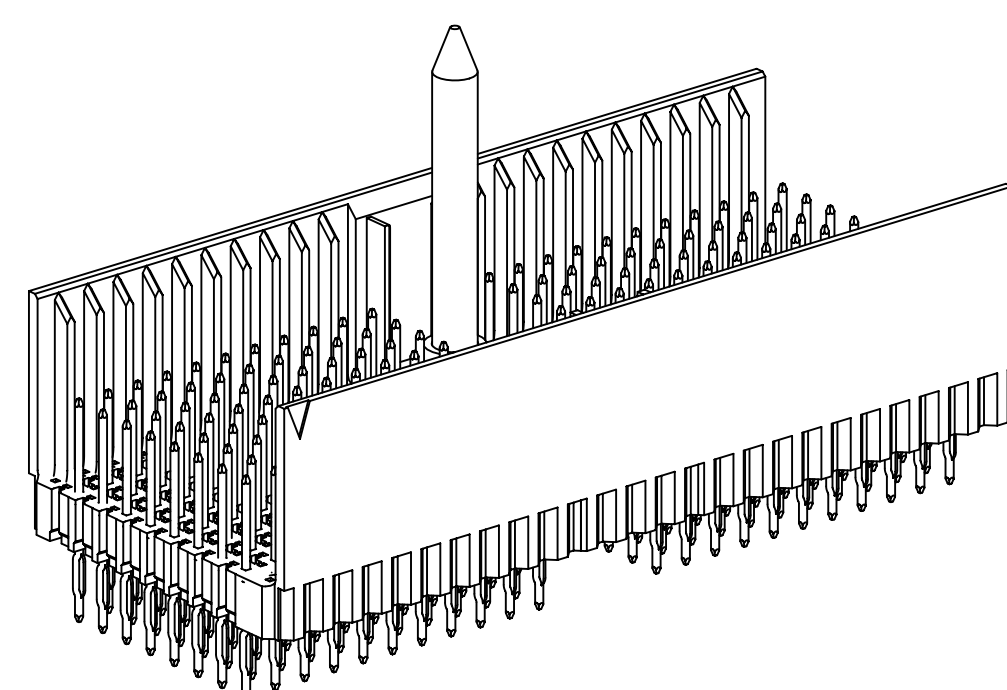
HM-H200E1-8CX1
HM-H244E2-8BX1



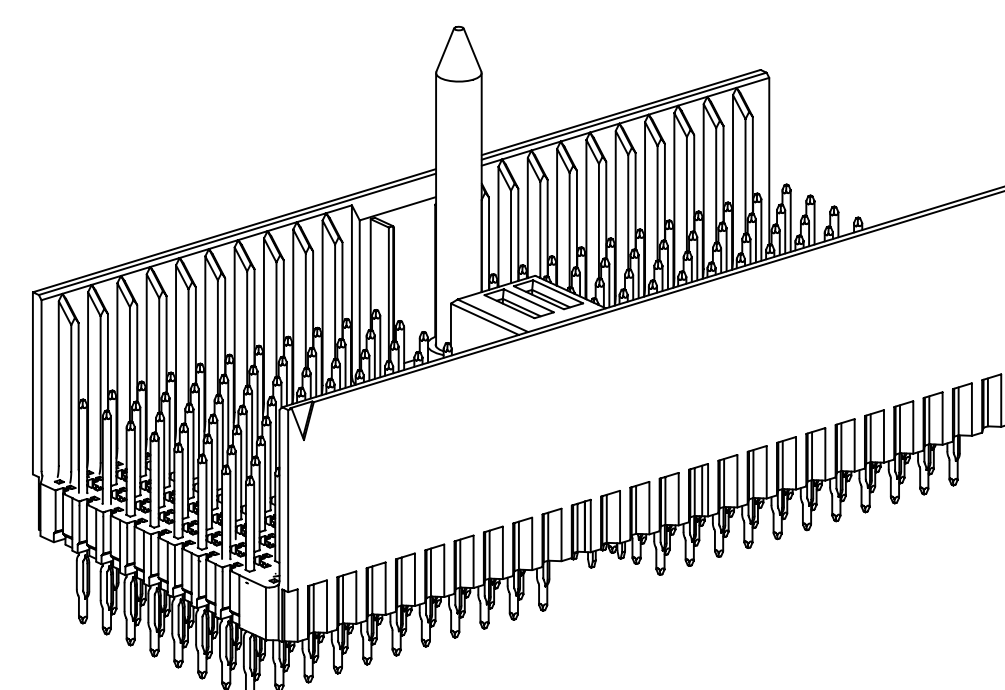
HM-H200DE1-8CX1
HM-H244DE2-8BX1



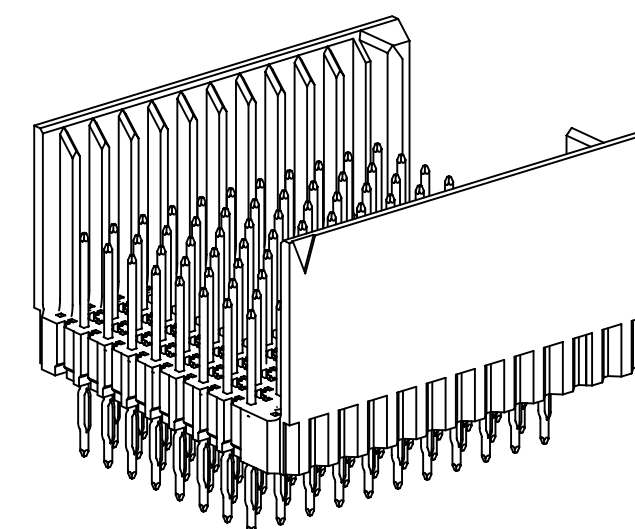
HM-H176D1-8CX1
HM-H220D2-8BX1



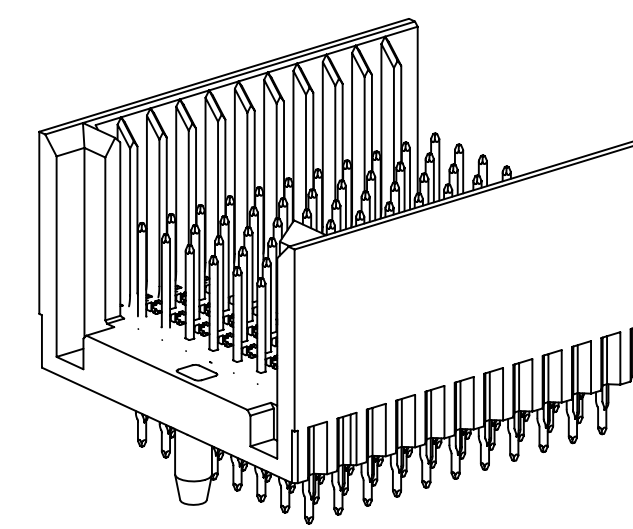
HM-H176DG1-8CX1
HM-H220DG2-8BX1



HM-H176DPWR1-8CX1
HM-H220DPWR2-8BX1



HM-H088FL1-8CX1
HM-H110FL2-8BX1



HM-H088FR1-8CX1
HM-H110FR2-8BX1

(UNLESS OTHERWISE SHOWN)
ORDERING INFORMATION
(ROWS I AND Z NOT LOADED)

HM-HXXXXX1-8CX1-XXXXX

HEADER POSITION AND TYPE | TAIL STYLE: P = PRESS-FIT TAIL, S = SOLDER TAIL | PLATING

(UNLESS OTHERWISE SHOWN)
ORDERING INFORMATION
(ROWS I AND Z LOADED, 8.3MM MATE LENGTH)

HM-HXXXXX2-8BX1-XXXXX

HEADER POSITION AND TYPE | TAIL STYLE: P = PRESS-FIT TAIL, S = SOLDER TAIL | PLATING

PLATING SPECIFICATIONS:

TG30L = .76µM [30µIN] MIN. GOLD ON CONTACT AREA, LUBRICATED
2.54µM [100µIN] MIN. TIN/LEAD ON TERMINAL AREA (RIA C2 & E2 APPLY)
1.27µM [50µIN] MIN. NICKEL ALL OVER.
TYPICALLY HIGHER MAKE ORDER QUANTITIES AS COMPARED TO TG30.

TG30 = .76µM [30µIN] MIN. GOLD ON CONTACT AREA
2.54µM [100µIN] MIN. TIN/LEAD ON TERMINAL AREA (RIA C2 & E2 APPLY)
1.27µM [50µIN] MIN. NICKEL ALL OVER.
STANDARD OPTION.

TG50 = 1.27µM [50µIN] MIN. GOLD ON CONTACT AREA, LUBRICATED
2.54µM [100µIN] MIN. TIN/LEAD ON TERMINAL AREA (RIA C2 & E2 APPLY)
1.27µM [50µIN] MIN. NICKEL ALL OVER.
NON-STANDARD OPTION (AVAILABLE WITH LONGER LEAD TIMES AND HIGHER MAKE ORDER QUANTITIES, MOQ)

KR = .76µM [30µIN] MIN. GOLD ON CONTACT AREA
2.54µM [100µIN] MIN. MATTE TIN ON TERMINAL AREA (RIA C2 & E2 APPLY)
1.27µM [50µIN] MIN. NICKEL ALL OVER.

- * MODULAR/SCALABLE FORMAT IEC 61076-4-101
- * PRESS-FIT OF SOLDER TAIL VERSION
- * 101 MATED LINES PER INCH
- * SHIPS WITH PROTECTIVE CAP, WHICH ALSO SERVES AS AN INSERTION TOOL
- * END-TO-END STACKABLE WITH 8 ROW 3M™ HM AND HSHM PRODUCTS
- * INTEGRATED GUIDE AND GUIDE PIN
- * MULTI-PURPOSE CENTER (MPC) KEYING AND GUIDANCE
- * FOUR INTEGRATED 8.25 A POWER CONTACTS AND GUIDE PIN

- NOTES
- MATERIAL:
PLASTIC: HIGH TEMP LCP, UL94V-0
PINS: COPPER ALLOY.
 - REGULATORY INFORMATION:
ROHS COMPLIANT. SEE THE REGULATORY INFORMATION APPENDIX (RIA) IN THE "ROHS COMPLIANCE" SECTION OF WWW.3MCONNECTORS.COM FOR COMPLIANCE INFORMATION (RIA E1 & C1 APPLY)
 - IN THE EVENT OF CONFLICT BETWEEN THIS DATA AND THAT CONTAINED IN THE PRODUCT SPECIFICATION, THE PRODUCT SPECIFICATION TAKES PRECEDENT.

MECHANICAL:

NORMAL FORCE (NOMINAL): .57N [58g] SIGNAL
ENGAGEMENT FORCE (NOMINAL): .32N [33g] SIGNAL
SEPARATION FORCE (NOMINAL): .20N [20g] SIGNAL
WIPE (NOMINAL, SHORTEST CONTACT): 2.67 [.105] SIGNAL
MATE/UNMATE CYCLES: 250
APPLICATION: THIS MODULE IS NOT SUITABLE FOR STAND-ALONE USE. (REFER TO IEC-61076-4-101)

ELECTRICAL:

CURRENT RATING (FULLY LOADED): 1A @ 70°C SIGNAL
INSULATION RESISTANCE: 1 X 10⁴ MΩ @ 100 V_{DC}
WITHSTANDING VOLTAGE: 750V_{RMS}

ENVIRONMENTAL:

TEMPERATURE RATING: -55°C TO 125°C
PROCESS RATING: MAX. 260°C (PER J-STD-020C)
WITHSTANDING VOLTAGE: 1 (PER J-STD-020C)

3M™ ELECTRONIC SOLUTIONS DIVISION
INTERCONNECT SOLUTIONS
<http://www.3mconnectors.com>

3M IS A TRADEMARK OF 3M COMPANY.
FOR TECHNICAL, SALES OR ORDERING INFORMATION CALL 800-225-5373

CAUS
UL FILE NO: E68080

DESIGN REFERENCE		NEXT ASSEMBLY		REV	ECO	ISSUE DATE AND DESCRIPTION	DRFT	CHKD
CAGD		CAGD		01	01	MAR 28, 2012		
DIVISION		DIVISION CODE		DATE		DATE		
Interconnect Solutions		ISD		T. SUNIGA		MAR 28, 2012		
DO NOT SCALE DRAWING	SCALE 5/2	TOLERANCES EXCEPT AS NOTED		3M		© 3M COPYRIGHT 2012		
THIRD ANGLE PROJECTION		INCHES		St. Paul, MN 55144		This document and the information it contains are 3M property and may not be reproduced or further distributed without 3M permission, or used or disclosed other than for 3M authorized purposes. All rights reserved.		
INTERPRET PER ASME Y14.5 - 1994		MILLIMETERS		TITLE		HM PRESS-FIT HEADER, 8-ROW, HM SERIES		
MAX SURFACE ROUGHNESS		.00 ± .13		CAGE NUMBER		D78-5100-2517-0		
SURFACES		.000 ±		DRAWING NO.		D78-5100-2517-0		
MARKED ONLY		ANGLES		REV.		A		
				MODEL		SHT 1 OF 4		

78-5100-2517-0
DRAWING NUMBER

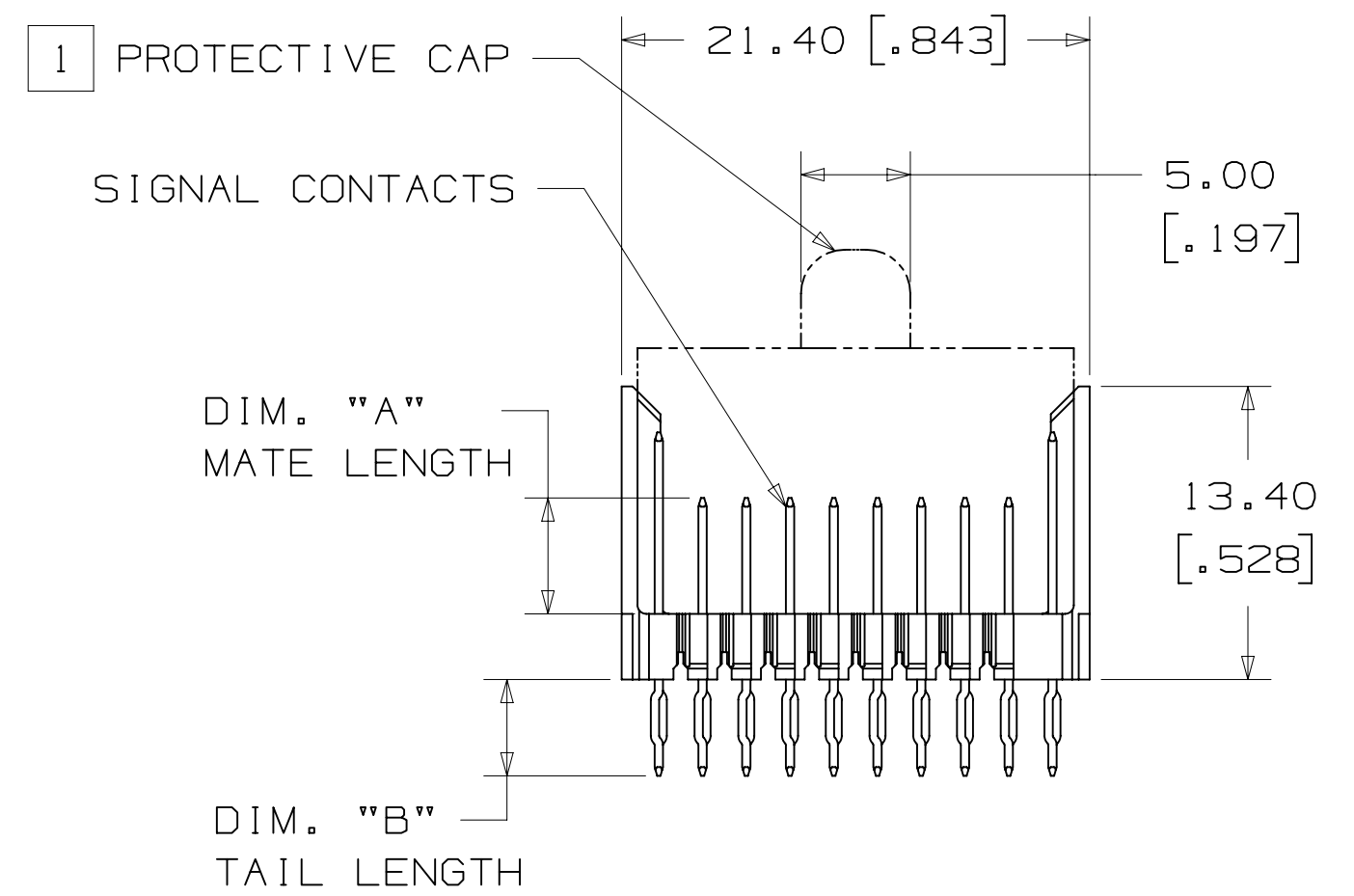
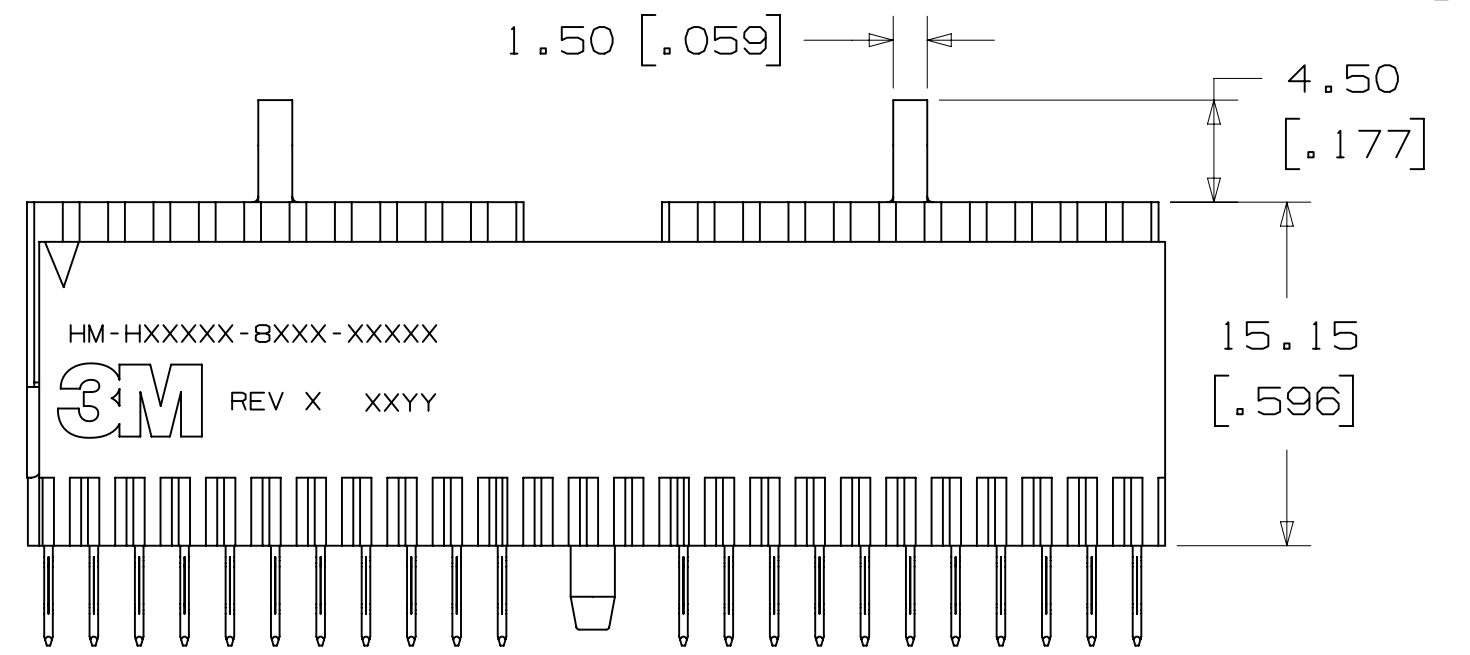
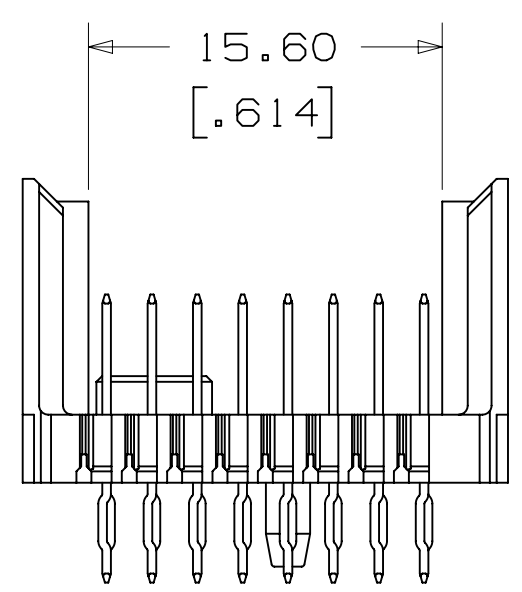
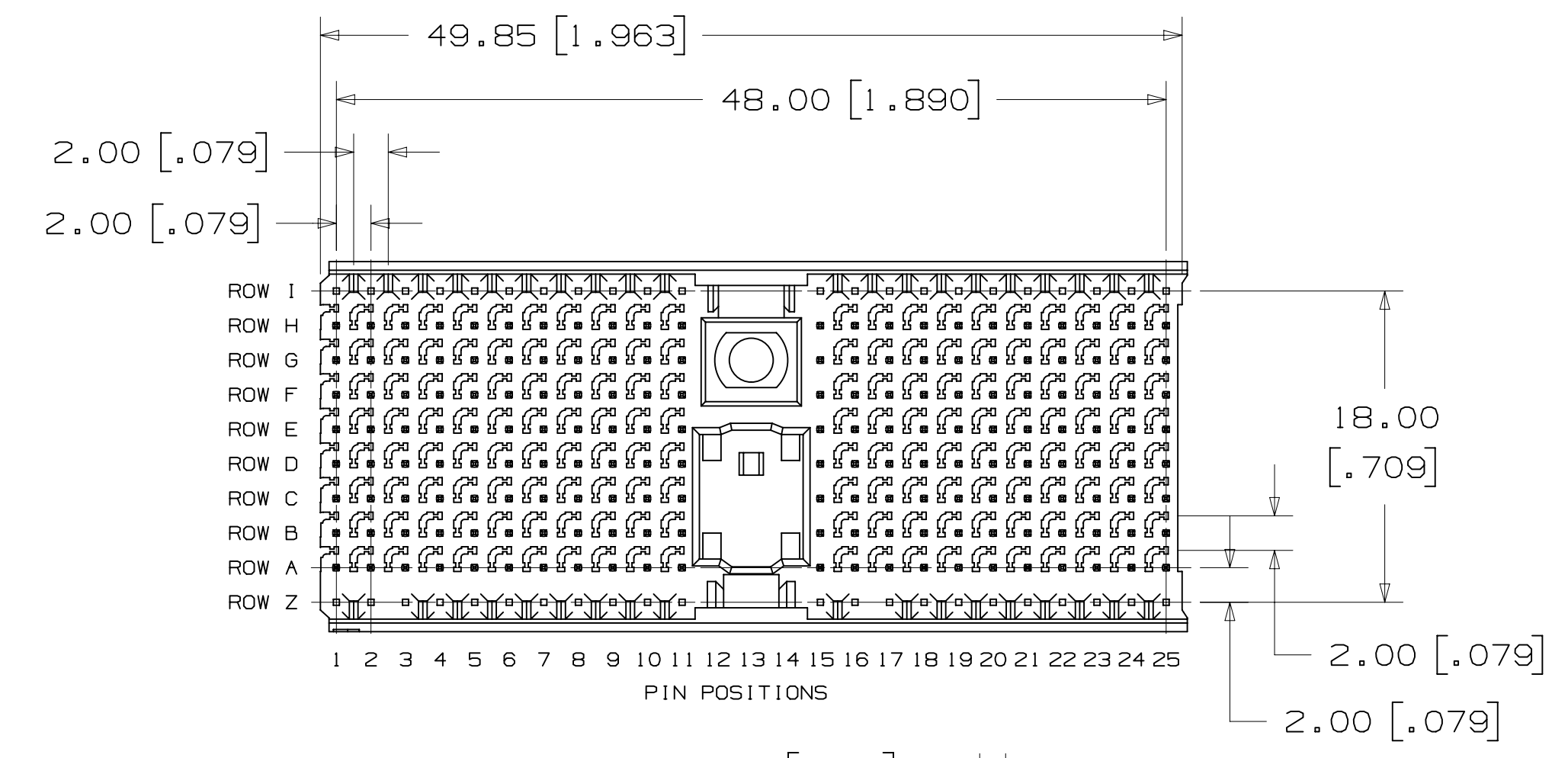
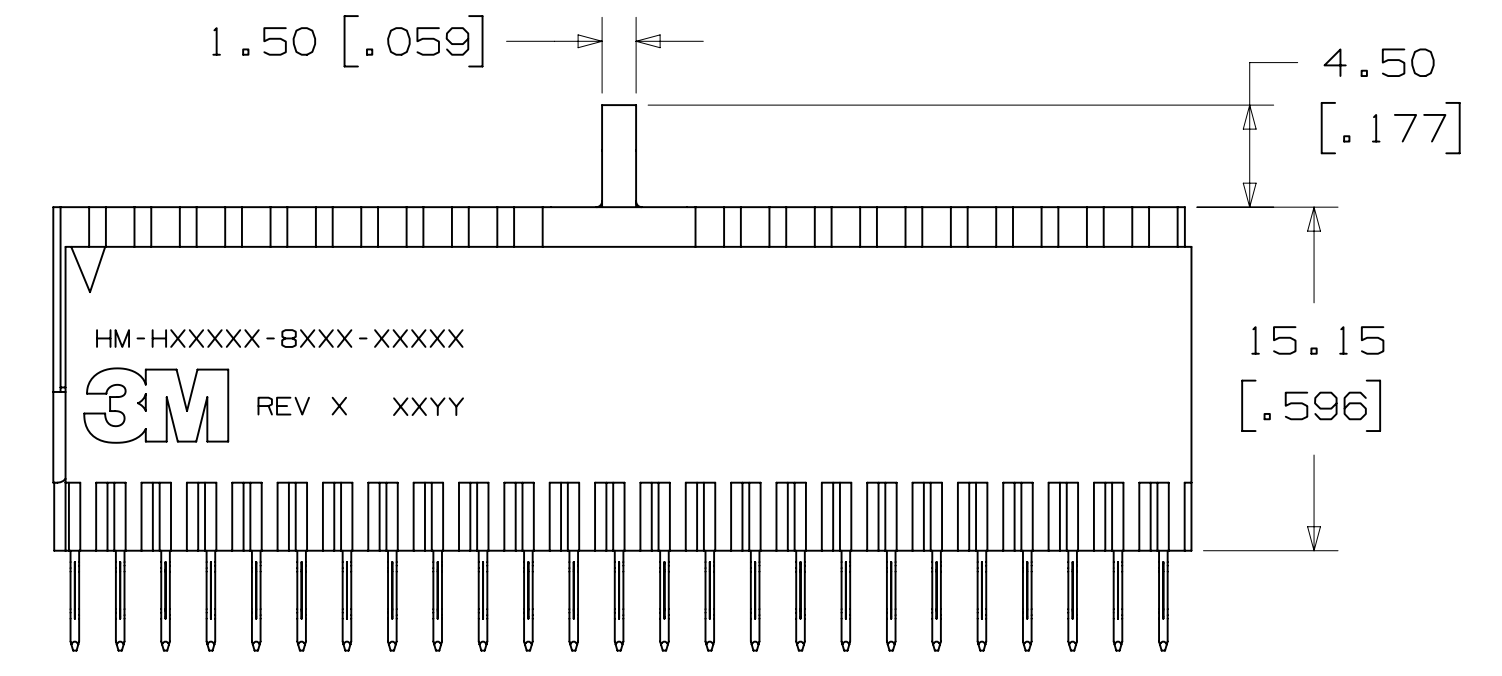
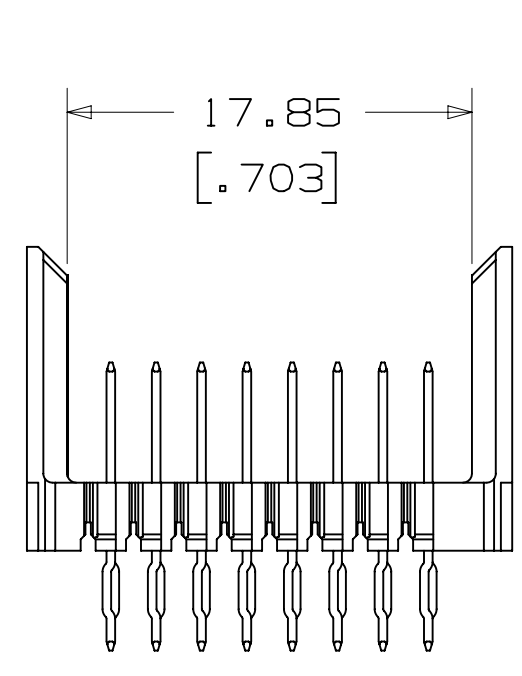
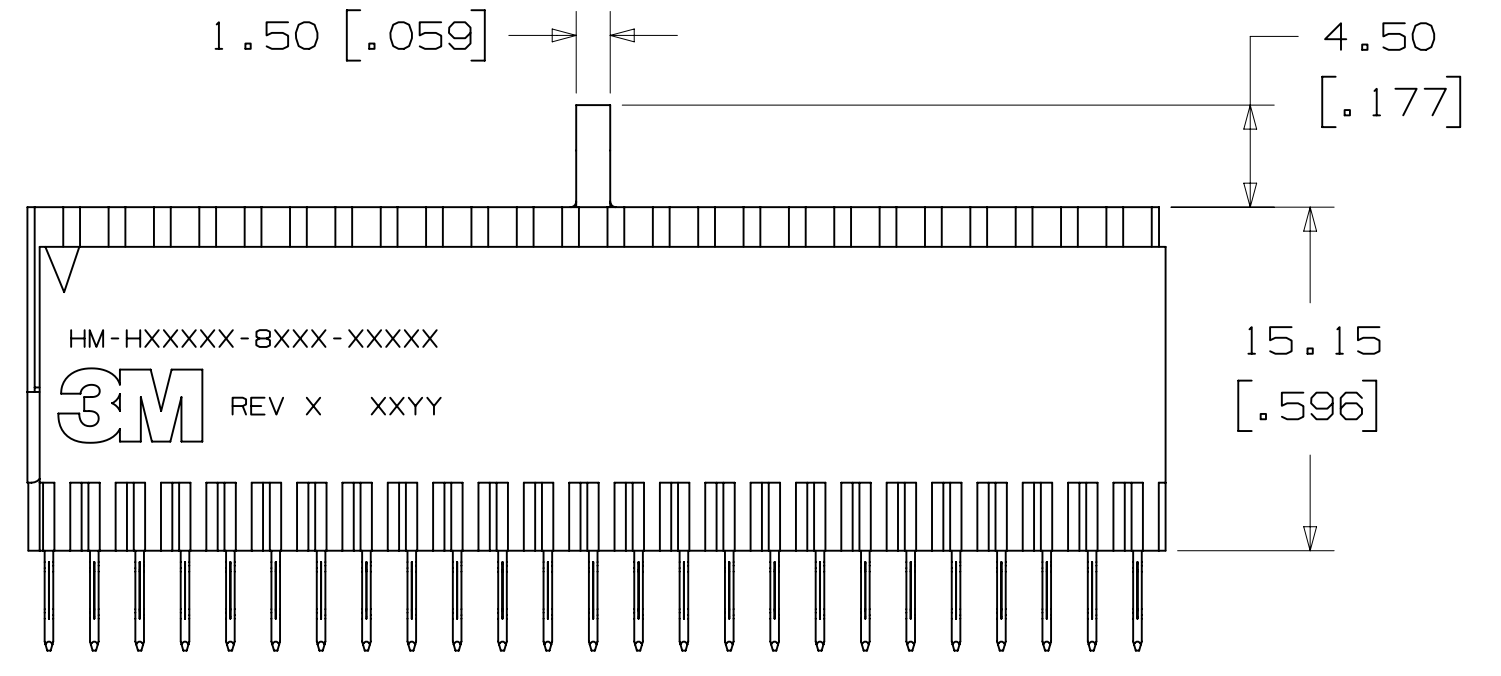
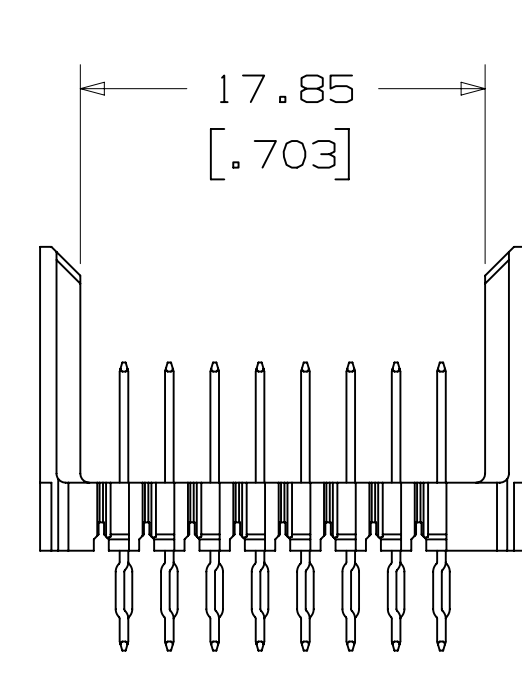
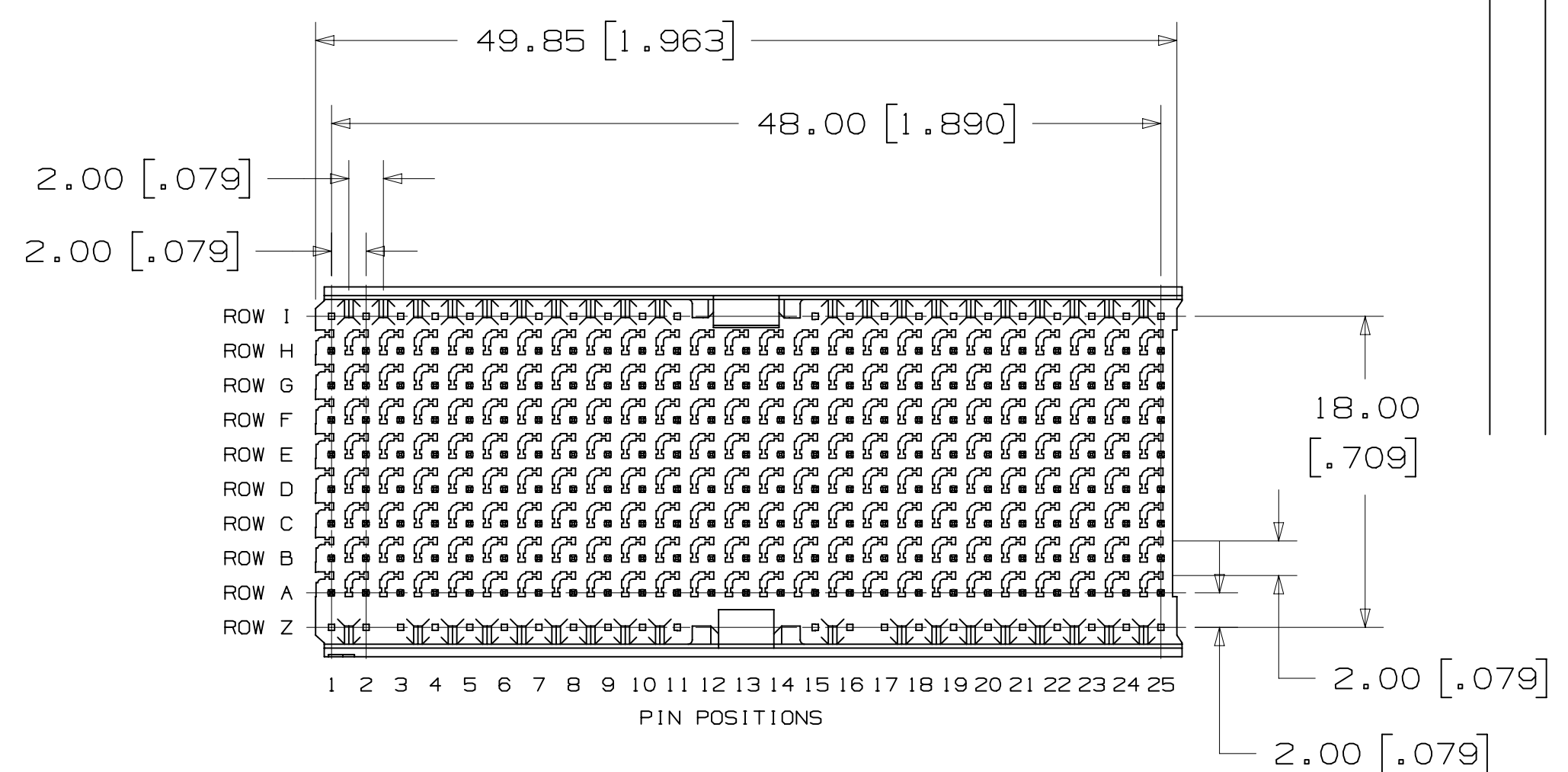
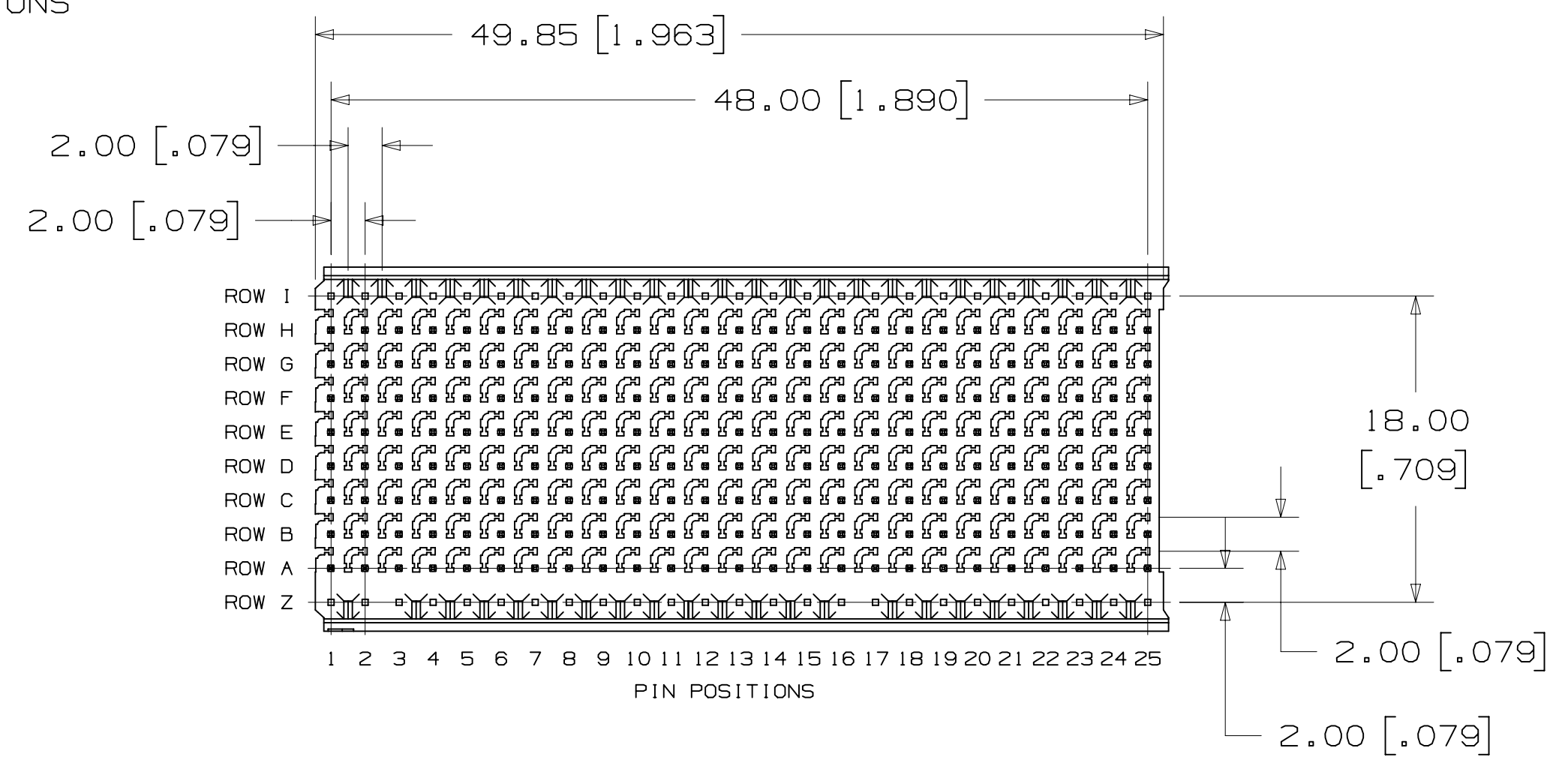
REVISION

B

A

3M™ HM PRESS-FIT HEADER, 8-ROW, HM SERIES
FOR HARD METRIC APPLICATIONS

NOTES
1 CAPS TO BE REMOVED AFTER PRESS-FIT INSTALLATION PROCESS.



TYPICAL SIDE VIEW DIMENSIONS FOR THE HEADERS ON THIS DRAWING

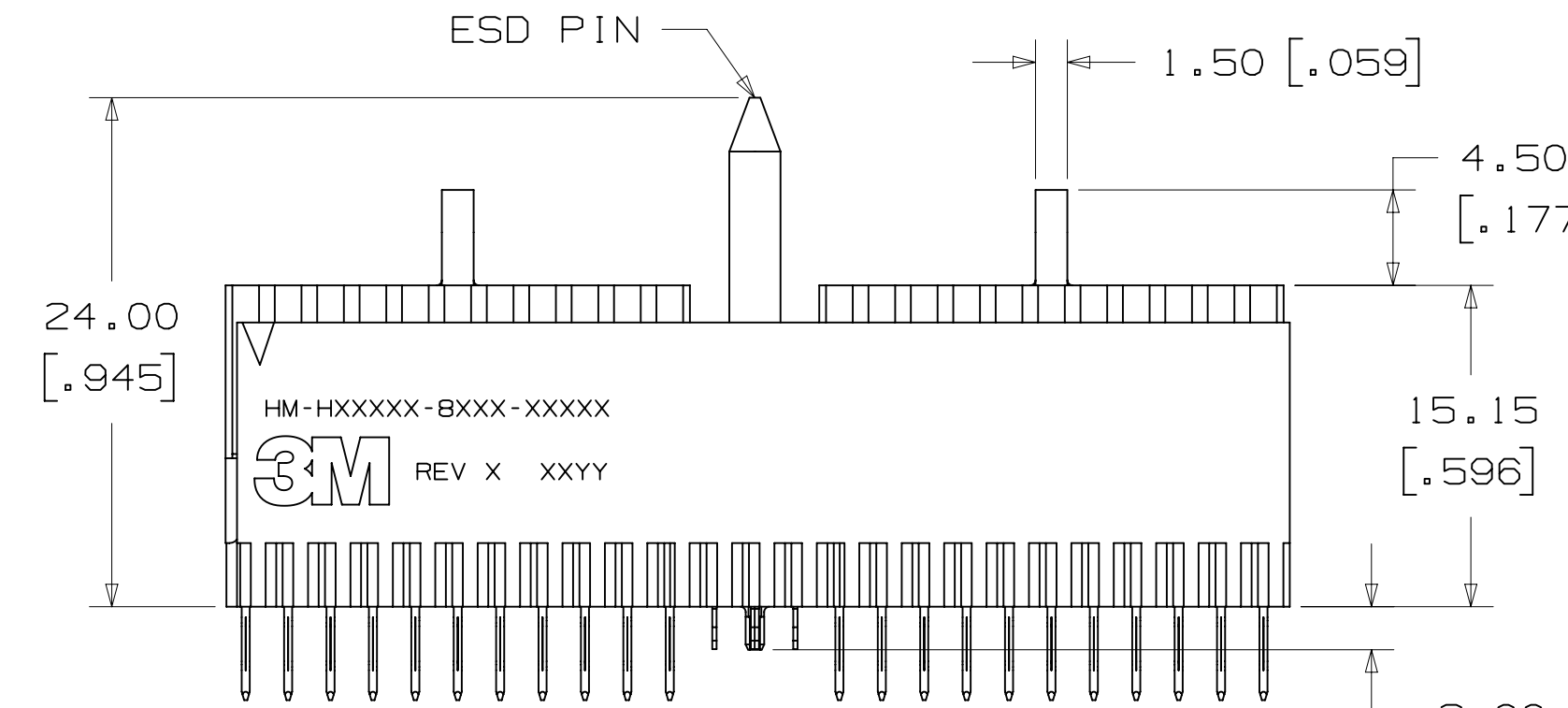
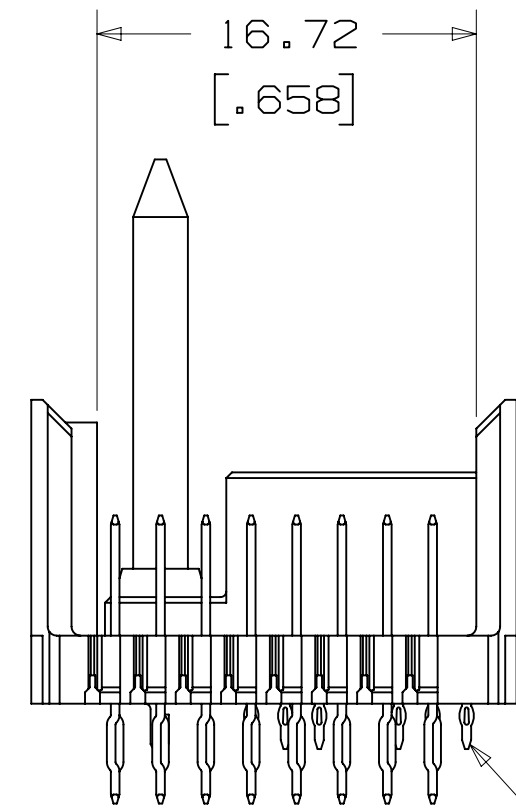
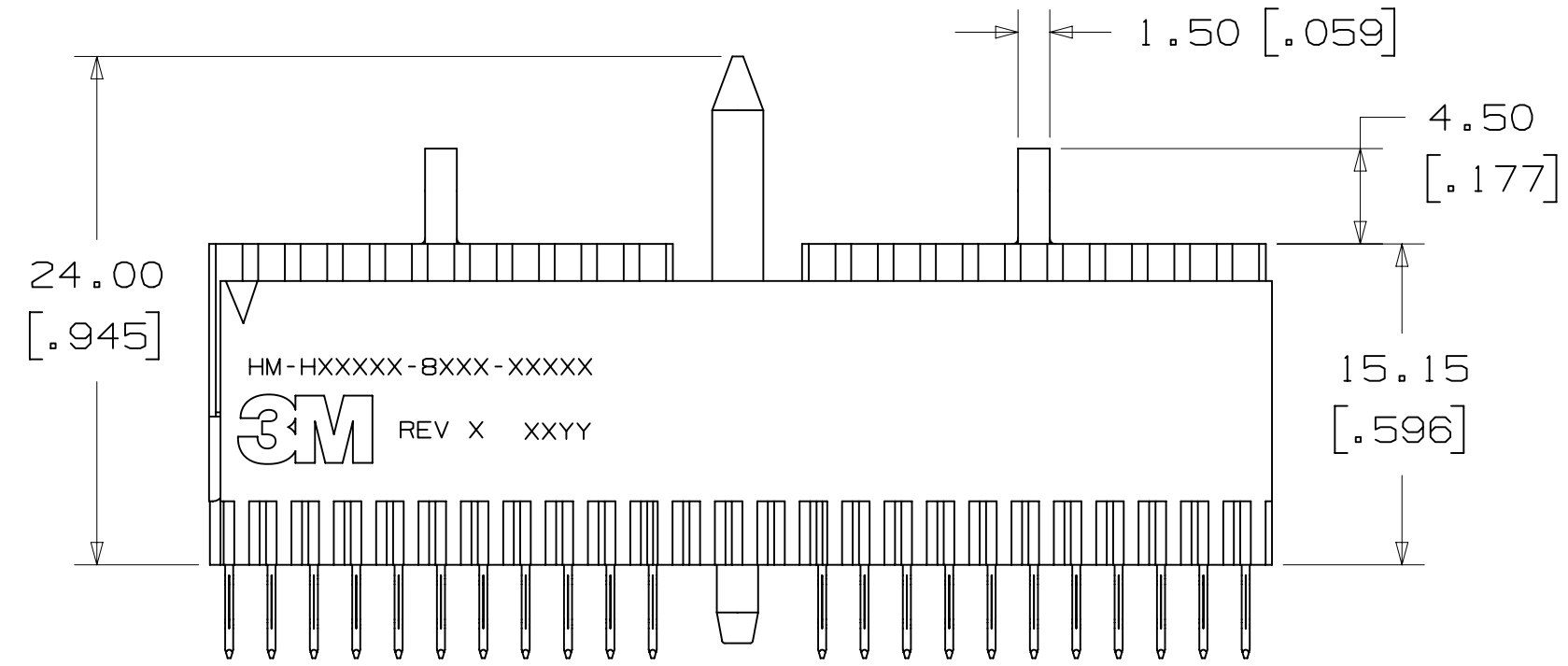
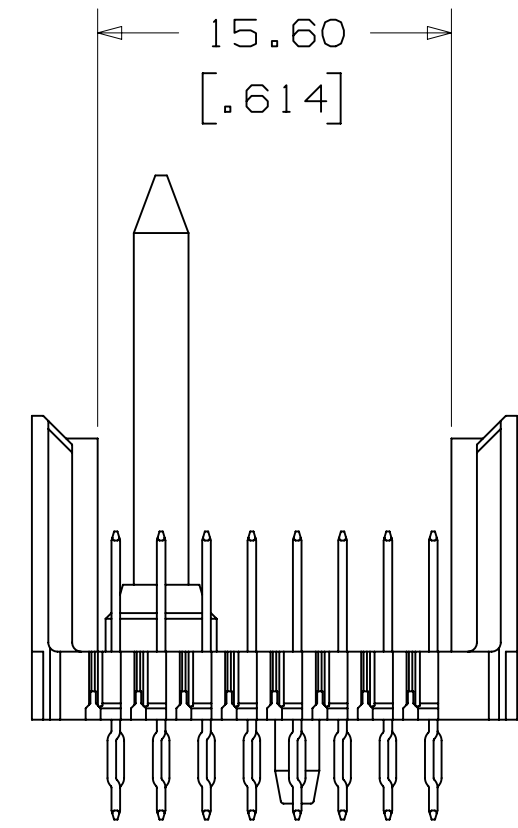
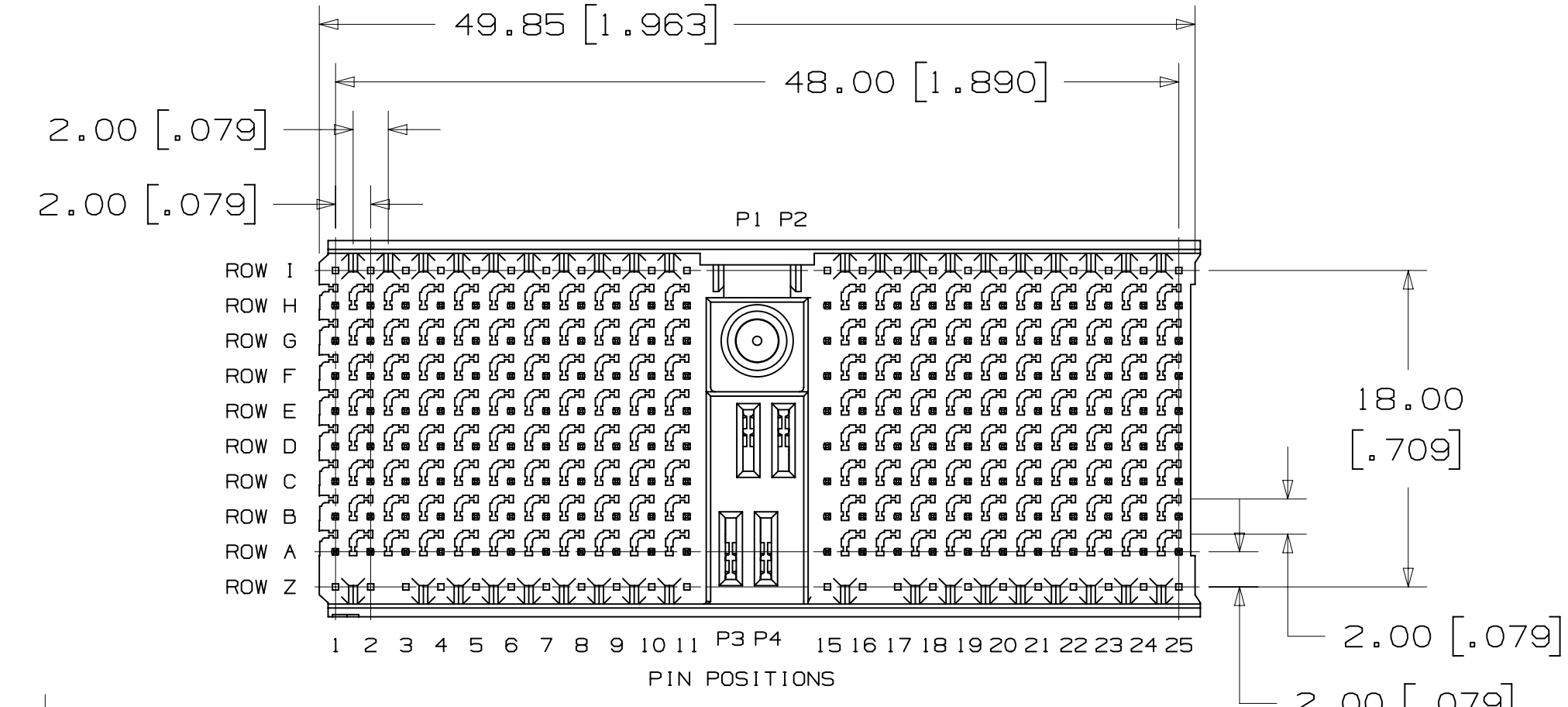
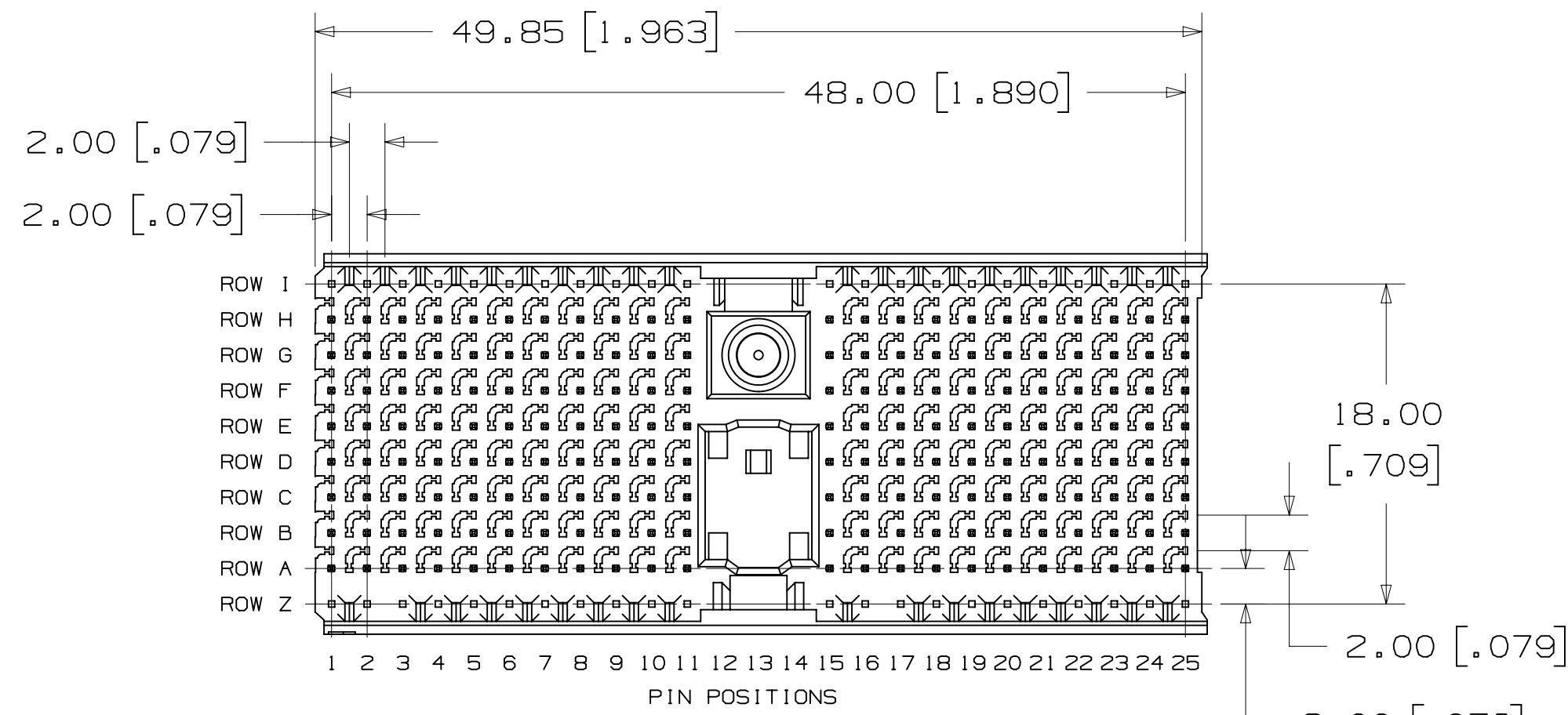
STANDARD CONFIGURATION
 DIM. "A" 5.3 [.21] FOR ROWS A THRU H
 DIM. "B" 4.4 [.17] EXCEPT AS NOTED

FOR NON-STANDARD CONFIGURATIONS CONTACT A 3M SALES REPRESENTATIVE

DESIGN REFERENCE	NEXT ASSEMBLY	REV	ECO	ISSUE DATE AND DESCRIPTION	DRFT	CHKD
		A	39815	MAR 28, 2012 PRODUCTION RELEASE	JNC	TS
DIVISION	INTERCONNECT SOLUTIONS	DATE	MAR 28, 2012	DATE		
SCALE	1	APPR	T. SUNIGA	DATE	MAR 28, 2012	
TOLERANCES EXCEPT AS NOTED		© 3M COPYRIGHT 2012 This document and the information it contains are 3M property and may not be reproduced or further distributed without 3M permission, or used or disclosed other than for 3M authorized purposes. All rights reserved.				
THIRD ANGLE PROJECTION		TITLE HM PRESS-FIT HEADER, 8-ROW, HM SERIES				
MAX SURFACE ROUGHNESS		CAGE NUMBER	D	SIZE	78-5100-2517-0	REV. A
		MODEL		DET	ISTS	YES
				SHT	2	OF 4

78-5100-2517-0
DRAWING NUMBER

3M™ HM PRESS-FIT HEADER, 8-ROW, HM SERIES
FOR HARD METRIC APPLICATIONS



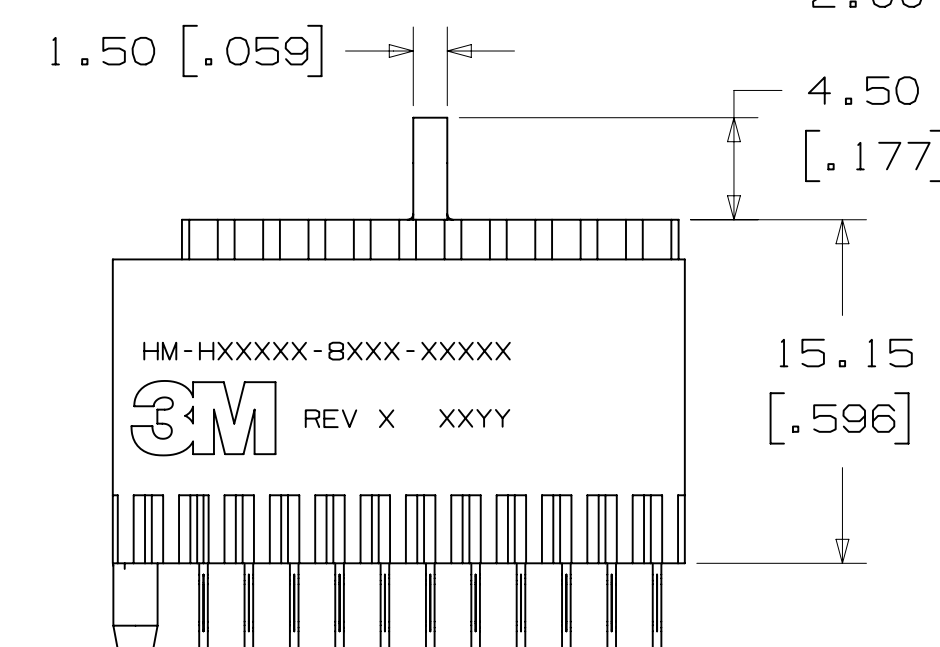
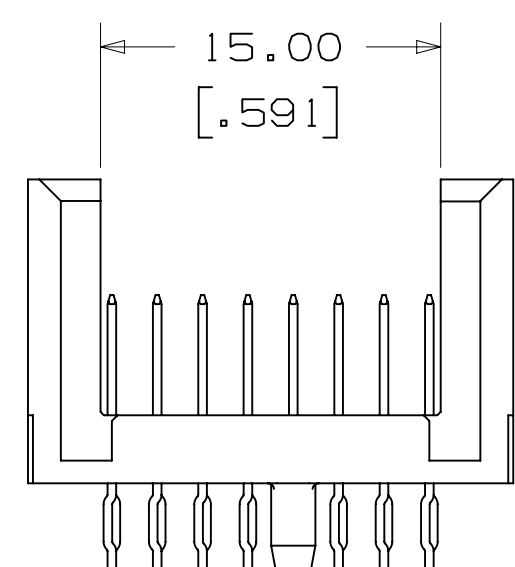
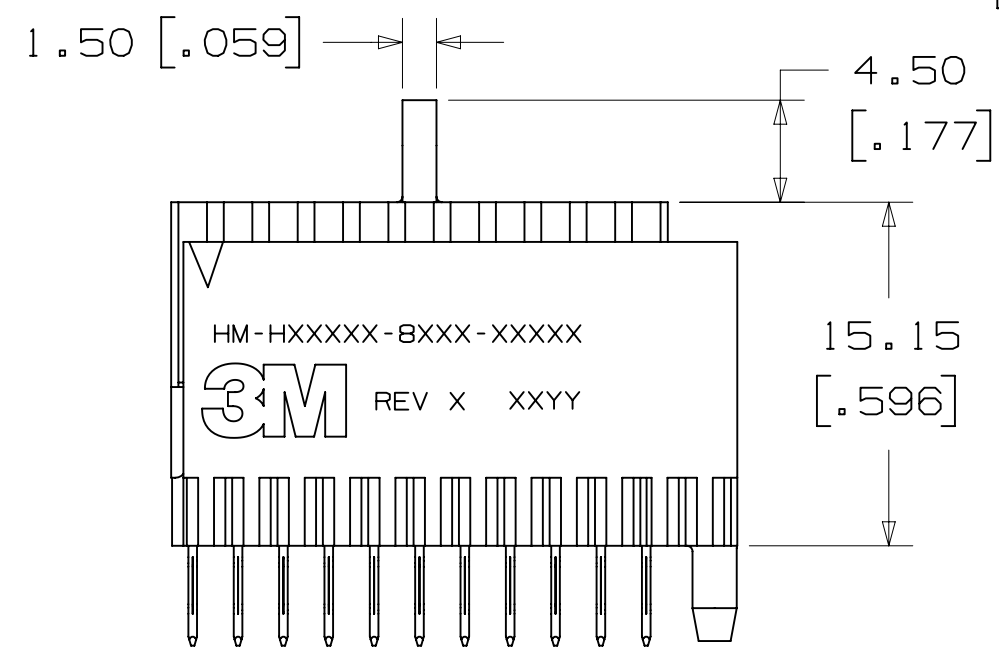
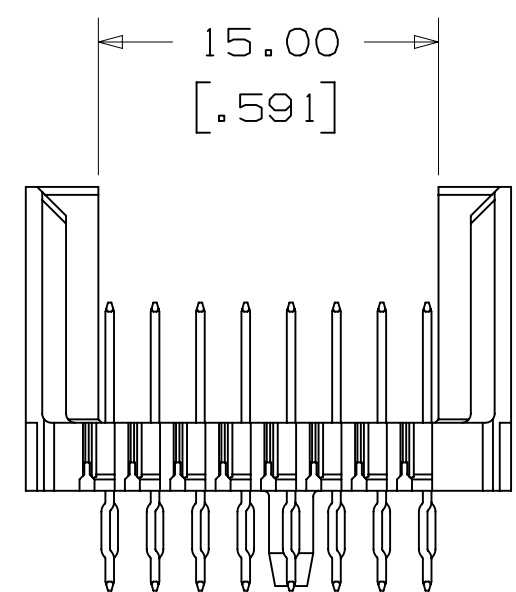
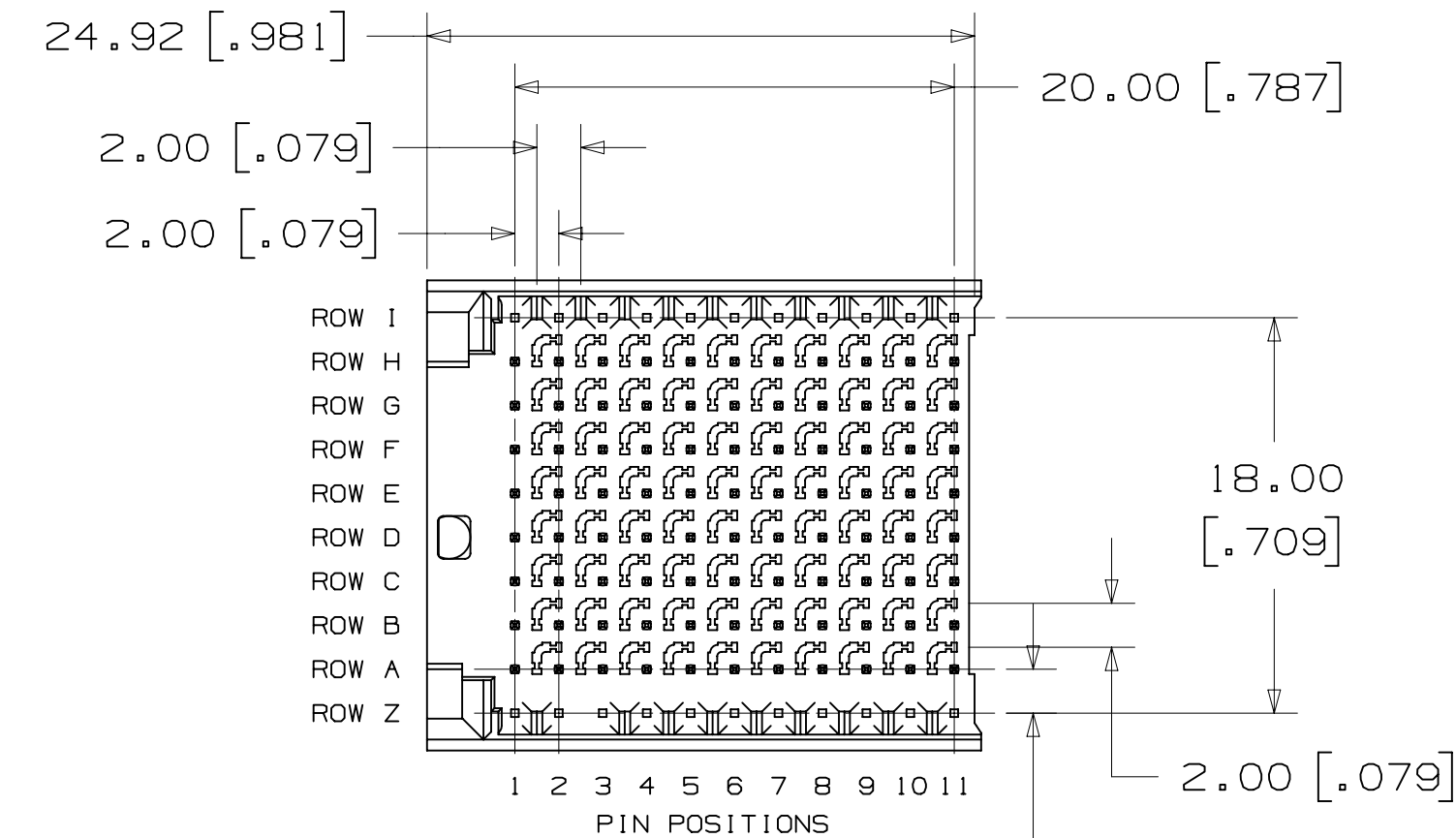
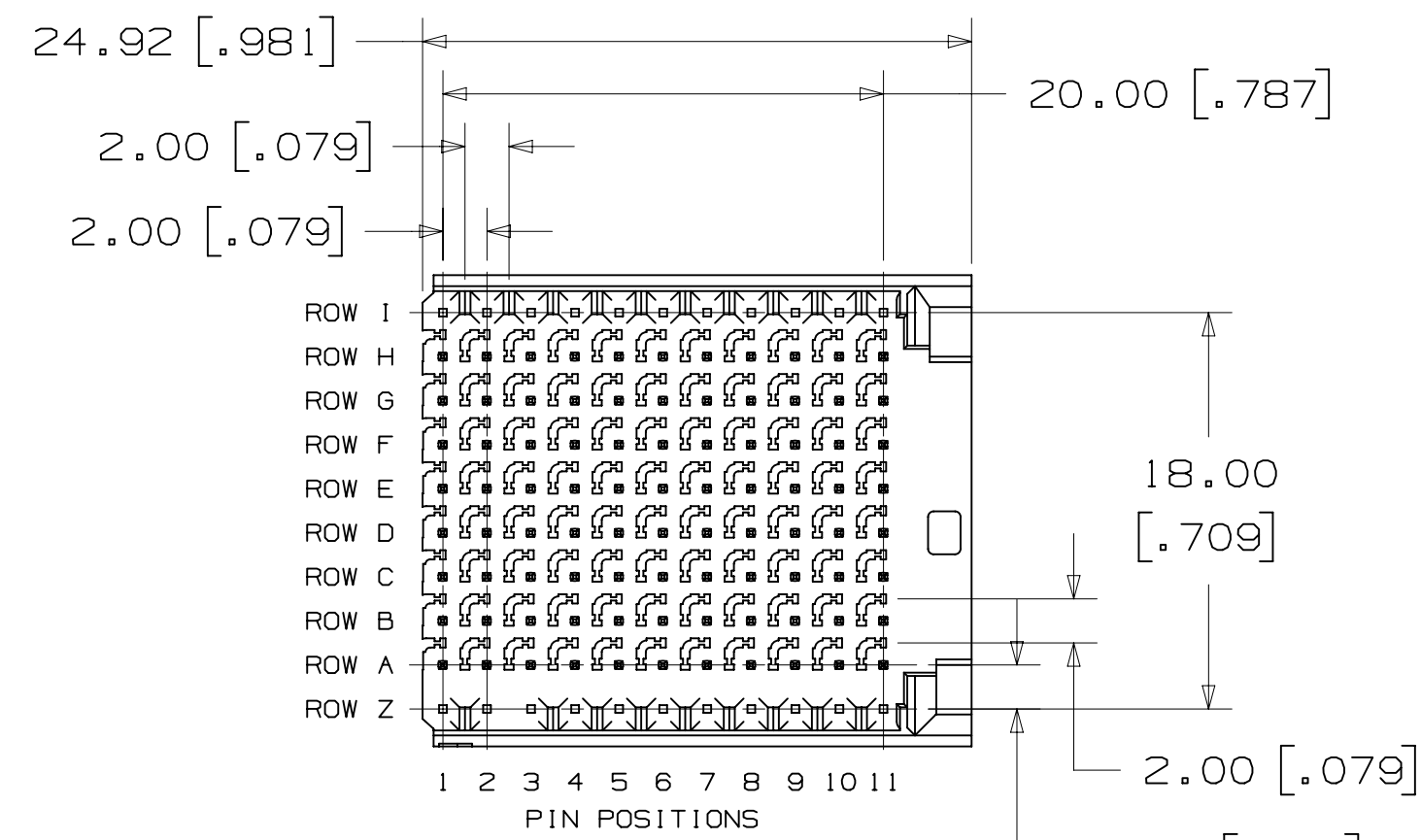
HM-H176DG1-8CX1
HM-H220DG2-8BX1

POWER TAILS
(4 CONTACTS,
12 LEADS)

HM-H176DPWR1-8CXX
HM-H220DPWR2-8BXX

ESD PIN TAIL
LENGTH

DIM. "B" TAIL LENGTH
1 = 4.4 [.17] PIN, 2.0 [.08] POWER
AND 2.0 [.08] ESD
2 = 4.4 [.17] PIN, 4.4 [.17] POWER
AND 2.0 [.08] ESD



HM-H088FL1-8CX1
HM-H110FL2-8BX1

HM-H088FR1-8CX1
HM-H110FR2-8BXX1

DESIGN REFERENCE	NEXT ASSEMBLY	REV	ECO	ISSUE DATE AND DESCRIPTION	DRFT	CHKD
				MAR 28, 2012		
DIVISION		DIVISION CODE		DATE		
Interconnect Solutions		ISD		MAR 28, 2012		
DO NOT SCALE DRAWING		SCALE		TOLERANCES EXCEPT AS NOTED		
		3/1		INCHES		
				MILLIMETERS		
THIRD ANGLE PROJECTION				0		
INTERPRET PER ASME Y14.5 - 1994				0 ± .01		
				.000 ± .005		
MAX SURFACE ROUGHNESS				.00 ± .13		
UNFINISHED SURFACES				.000 ±		
MARKED ONLY				ANGLES		
CAGE NUMBER		SIZE	DRAWING NO.	REV.		
D78-5100-2517-0				A		
MODEL		SHT		3 OF 4		

A	39815	MAR 28, 2012	JNC	TS
REV	ECO	ISSUE DATE AND DESCRIPTION	DRFT	CHKD
		MAR 28, 2012		
DESIGNER		DATE	DATE	
CASTIGLIONE		MAR 28, 2012	MAR 28, 2012	
CHKD		DATE	DATE	
		DATE	DATE	
		DATE	DATE	

© 3M COPYRIGHT 2012
This document and the information it contains are 3M property and may not be reproduced or further distributed without 3M permission, or used or disclosed other than for 3M authorized purposes. All rights reserved.

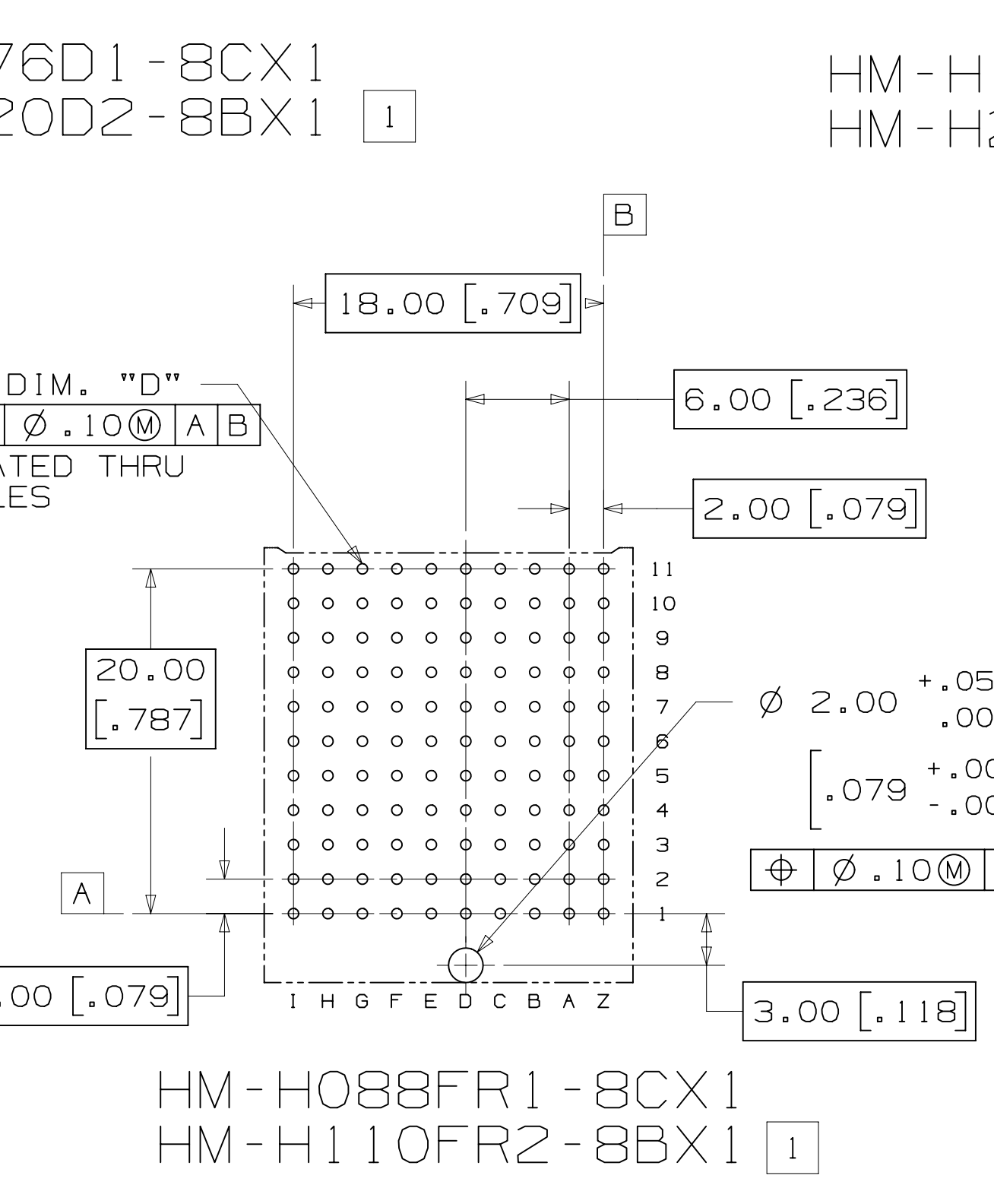
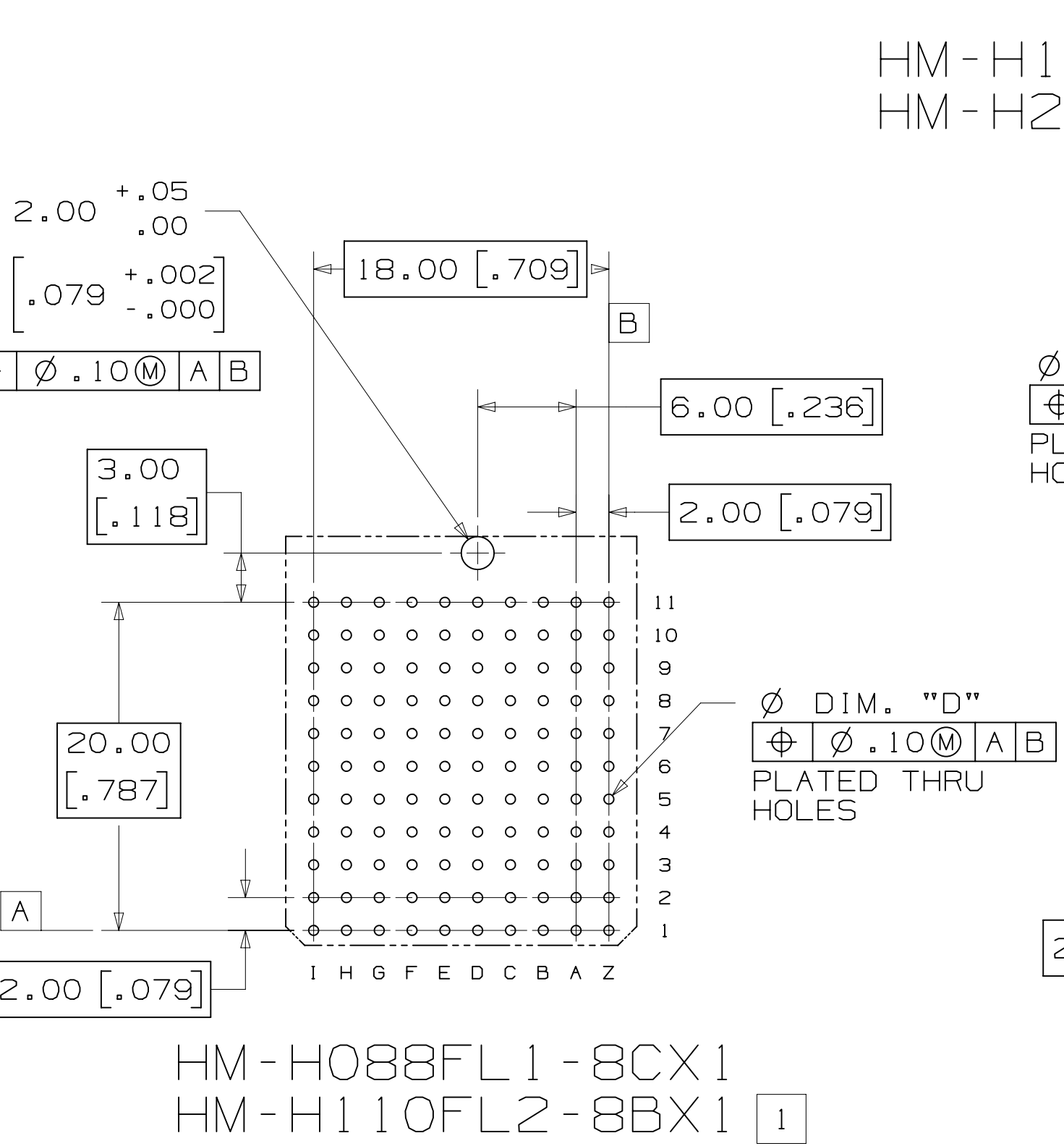
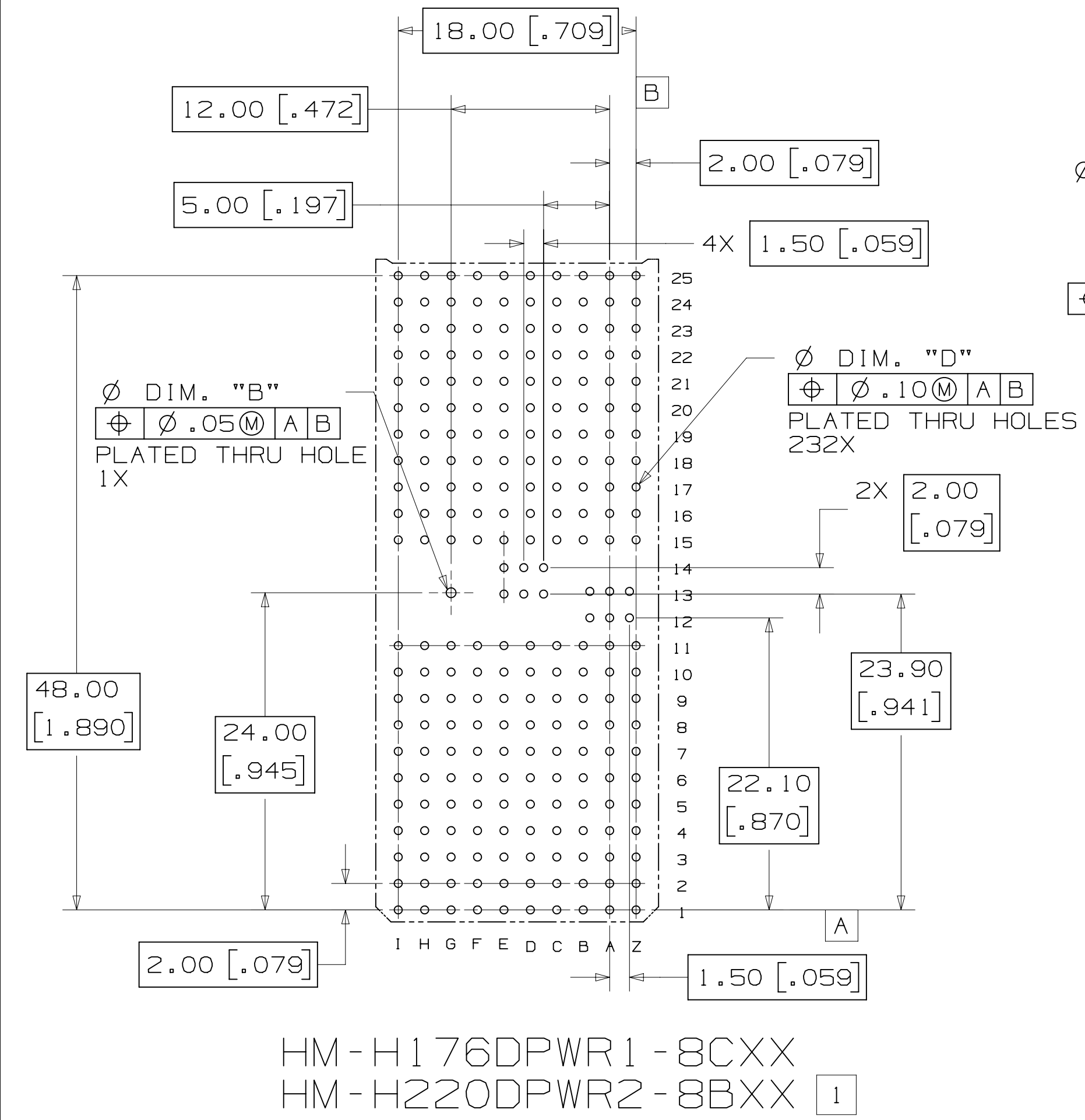
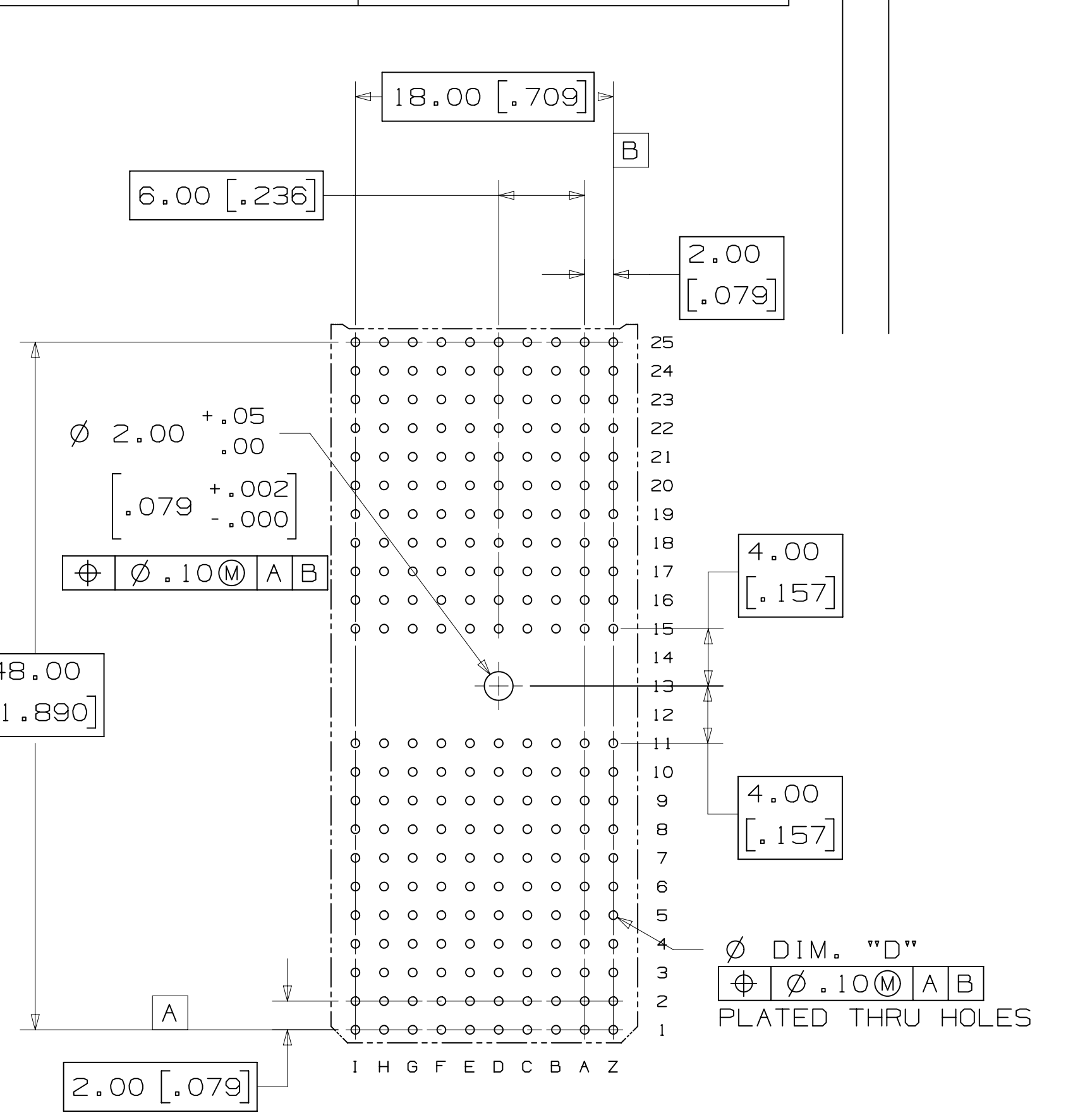
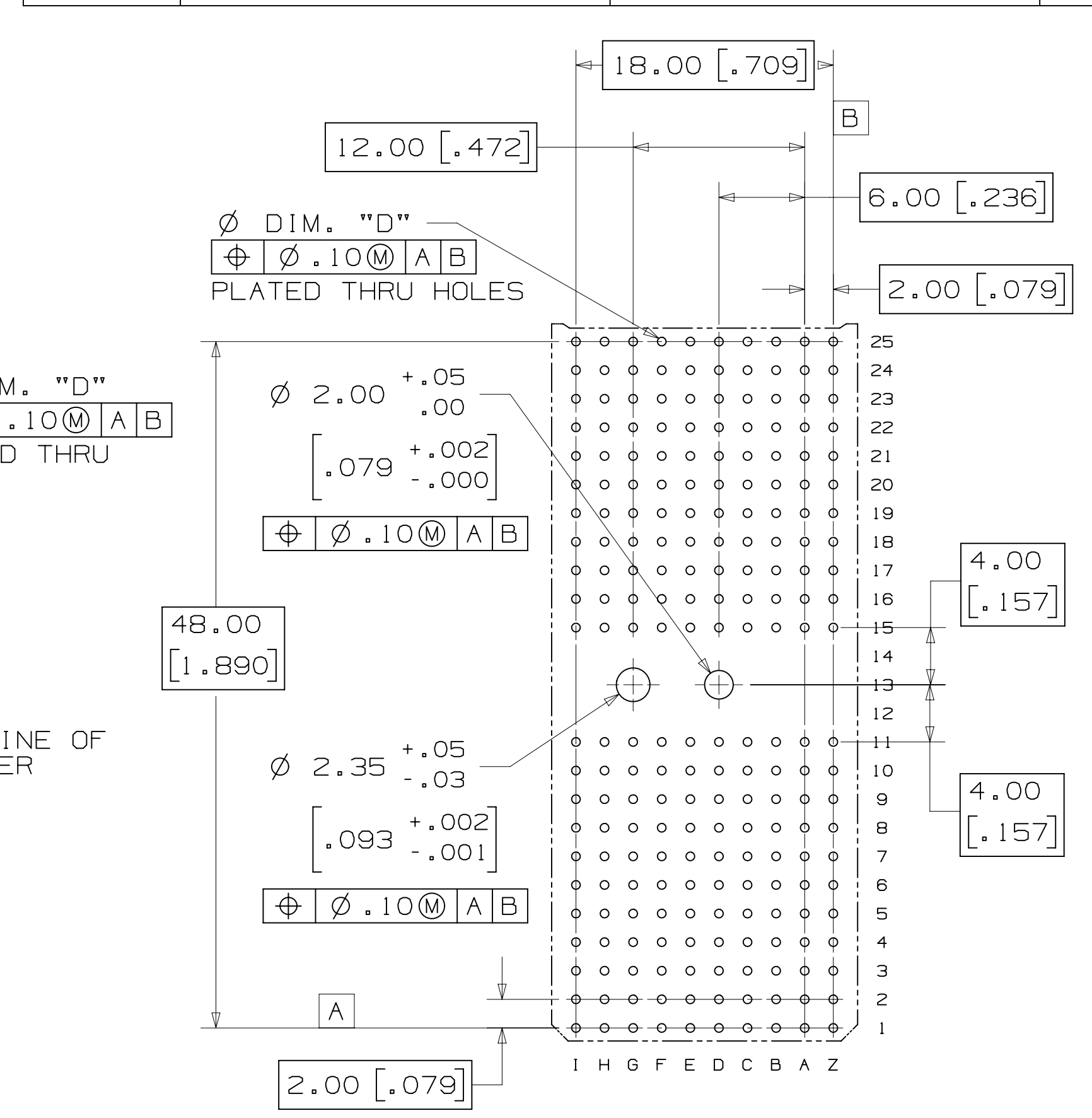
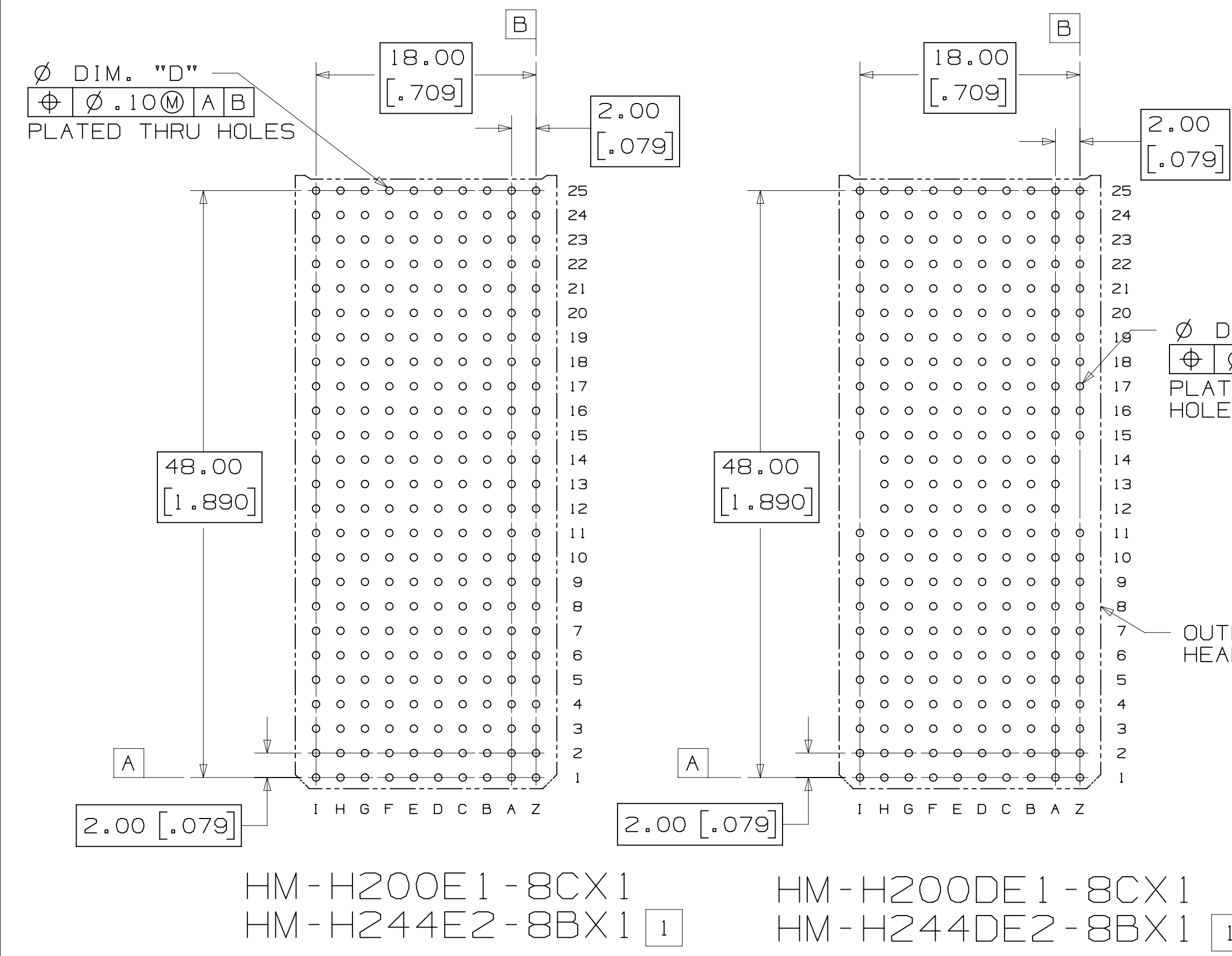
3M Center
St. Paul,
MN 55144

TITLE
HM PRESS-FIT HEADER,
8-ROW, HM SERIES

3M™ HM PRESS-FIT HEADER, 8-ROW, HM SERIES
FOR HARD METRIC APPLICATIONS

HOLE	HOLE PLATING TABLE			
	(FINISHED HOLE)	Cu THICKNESS	SnPb THICKNESS	DRILLED HOLE DIA.
DIM. "B"	.690-.790 [.0270-.0310]	.025-.045 [.0010-.0018]	.008-.018 [.0003-.0007]	.810-.860 [.0320-.0340]
DIM. "D"	.550-.650 [.0217-.0256]	.025-.045 [.0010-.0018]	.008-.018 [.0003-.0007]	.686-.727 [.0270-.0286]

NOTES
1 ROW 1 AND Z HOLES ARE ONLY USED FOR HM-HXXXX2-8BX1 STYLE HEADER.



RECOMMENDED PCB MOUNTING HOLE PATTERN
(VIEWED FROM COMPONENT SIDE)

DESIGN REFERENCE	NEXT ASSEMBLY	REV	ECO	ISSUE DATE AND DESCRIPTION	DRFT	CHKD
		A	39815	MAR 28, 2012	JNC	TS
				PRODUCTION RELEASE		
DESIGNER		DATE	MFG DATE		DATE	
CASTIGLIONE		MAR 28, 2012			MAR 28, 2012	
CHKD		DATE	APPRV		DATE	
			T. SUNIGA		MAR 28, 2012	
DIVISION		DIVISION CODE		DATE		
Interconnect Solutions		ISD		MFG		
DO NOT SCALE DRAWING		SCALE		TOLERANCES EXCEPT AS NOTED		
		3/1		INCHES		
				.00 ± .01		
				.000 ± .005		
				.0000 ±		
THIRD ANGLE PROJECTION				MILLIMETERS		
INTERPRET PER ASME Y14.5 - 1994				0		
				.0 ± .3		
MAX SURFACE ROUGHNESS				.00 ± .13		
SURFACES				.000 ±		
MARKED ONLY				ANGLES		
				CAGE NUMBER		
				D 78-5100-2517-0		
				REV. A		
				SHT 4 OF 4		

78-5100-2517-0
DRAWING NUMBER

Данный компонент на территории Российской Федерации

Вы можете приобрести в компании MosChip.

Для оперативного оформления запроса Вам необходимо перейти по данной ссылке:

<http://moschip.ru/get-element>

Вы можете разместить у нас заказ для любого Вашего проекта, будь то серийное производство или разработка единичного прибора.

В нашем ассортименте представлены ведущие мировые производители активных и пассивных электронных компонентов.

Нашей специализацией является поставка электронной компонентной базы двойного назначения, продукции таких производителей как XILINX, Intel (ex.ALTERA), Vicor, Microchip, Texas Instruments, Analog Devices, Mini-Circuits, Amphenol, Glenair.

Сотрудничество с глобальными дистрибьюторами электронных компонентов, предоставляет возможность заказывать и получать с международных складов практически любой перечень компонентов в оптимальные для Вас сроки.

На всех этапах разработки и производства наши партнеры могут получить квалифицированную поддержку опытных инженеров.

Система менеджмента качества компании отвечает требованиям в соответствии с ГОСТ Р ИСО 9001, ГОСТ РВ 0015-002 и ЭС РД 009

Офис по работе с юридическими лицами:

105318, г.Москва, ул.Щербаковская д.3, офис 1107, 1118, ДЦ «Щербаковский»

Телефон: +7 495 668-12-70 (многоканальный)

Факс: +7 495 668-12-70 (доб.304)

E-mail: info@moschip.ru

Skype отдела продаж:

moschip.ru

moschip.ru_4

moschip.ru_6

moschip.ru_9