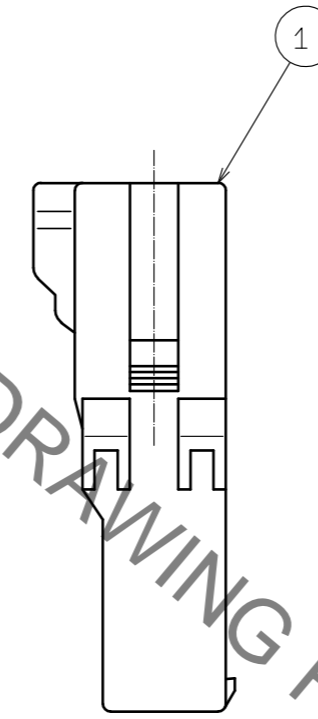
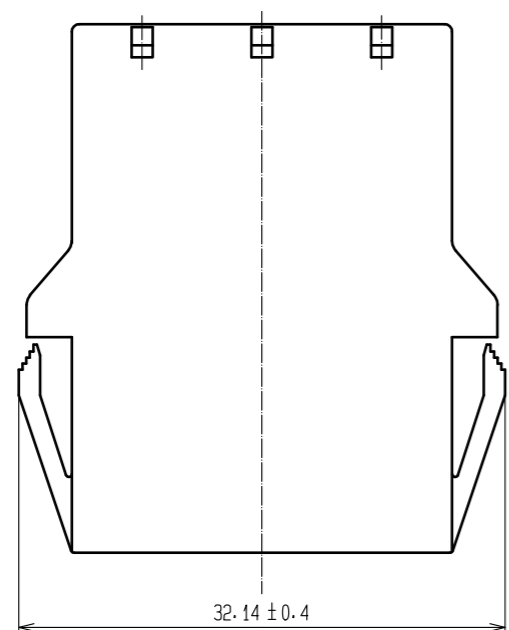
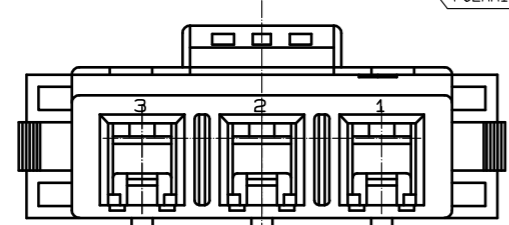
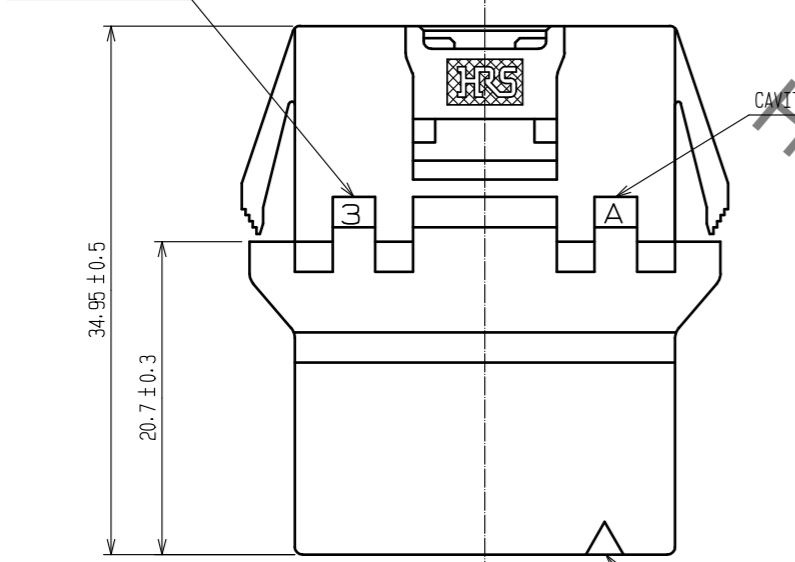
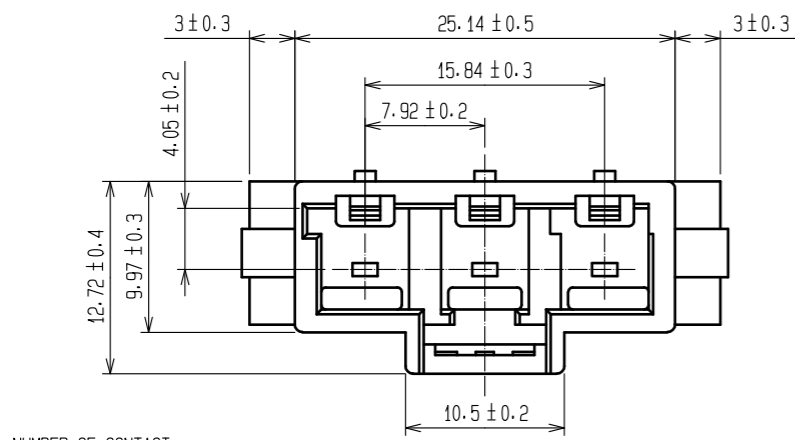
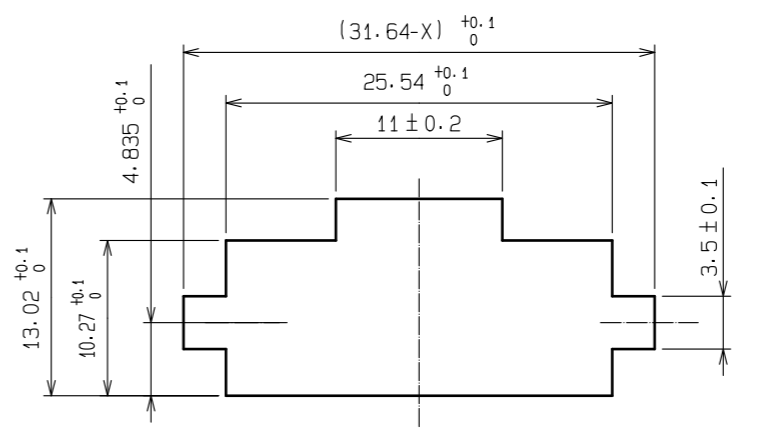


Jul.1.2019 Copyright 2019 HIROSE ELECTRIC CO., LTD. All Rights Reserved.
 In case of consideration for using Automotive equipment / device which demand high reliability, kindly contact our sales window correspondents.

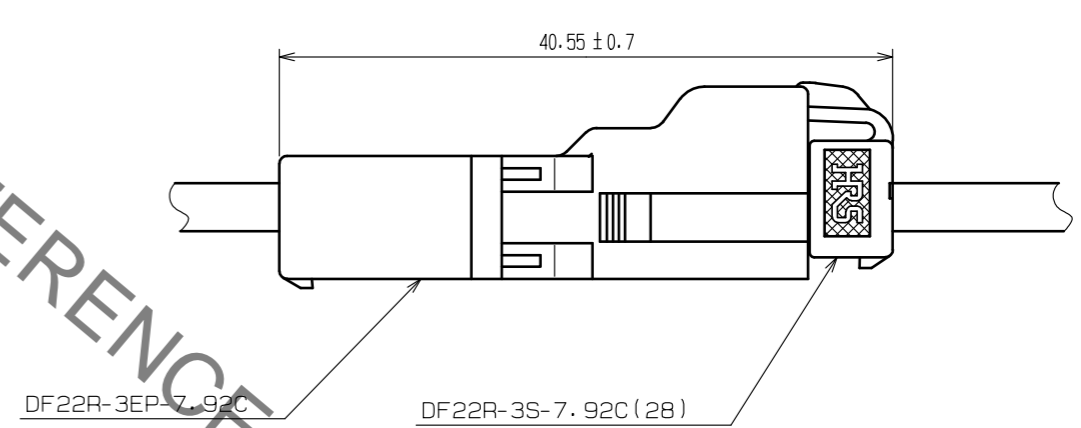


RECOMMENDED PCB PATTERN



| THICKNESS | X |
|-----------|------|
| 2.0 | 0.48 |
| 1.6 | 0.96 |
| 1.2 | 1.44 |
| 0.8 | 1.92 |

APPLICATION DIAGRAM



NOTES 1. 100 PIECES PER PACK.
 2. UL (FILE NO. E52653),
 C-UL (FILE NO. E52653),
 TÜV (CERTIFICATION NO. R9950703), APPROVED PRODUCT.



| NO. | MATERIAL | FINISH . REMARKS | NO. | MATERIAL | FINISH . REMARKS |
|---------------------------|----------|------------------|----------------|--------------------------|------------------|
| | | | 1 | POLYAMIDE | BLACK, UL94V-0 |
| UNITS | | SCALE | COUNT | DESCRIPTION OF REVISIONS | |
| mm | | 2 : 1 | 2 | DIS-H-00003579 | |
| HIROSE ELECTRIC CO., LTD. | | | APPROVED | DESIGNED | CHECKED |
| | | | : TY. OMA | : TS. KUMAZAWA | : TS. FUKUSHIMA |
| | | | 07.02.01 | 07.01.31 | 18.03.24 |
| | | | CHECKED | DRAWING NO. | |
| | | | : HK. UMEHARA | EDC-163597-00-01 | |
| | | | 07.02.01 | PART NO. | |
| | | | DESIGNED | DF22R-3EP-7.92C | |
| | | | : TS. KUMAZAWA | CODE NO. | |
| | | | 07.01.31 | CL680-1060-5-00 | |
| | | | DRAWN | 1/3 | |
| | | | : AK. MIURA | | |
| | | | 07.01.30 | | |

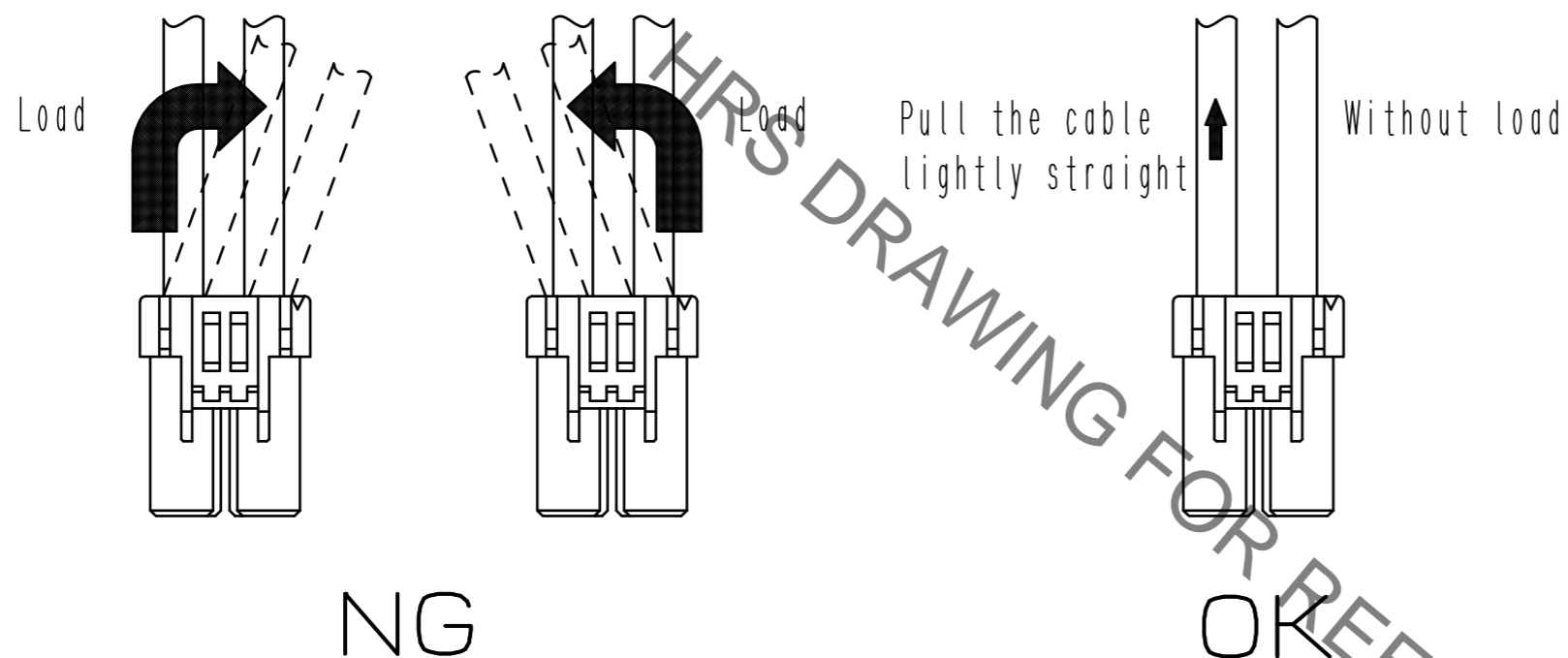
Jul.1.2019 Copyright 2019 HIROSE ELECTRIC CO., LTD. All Rights Reserved.
In case of consideration for using Automotive equipment / device which demand high reliability, kindly contact our sales window correspondents.



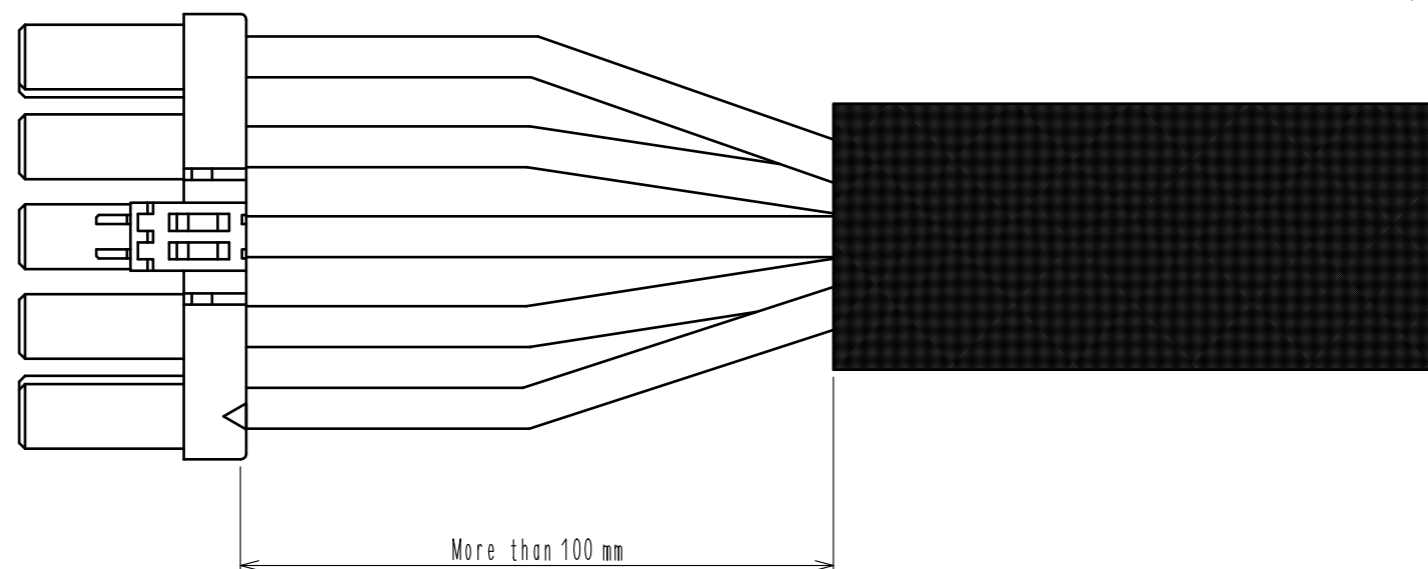
Precautions

Notification for harness assembly

- 1) When inserting the crimping terminal to the crimping socket, please do not tilt the crimping terminal or twist the cable. Insertion at tilted angles or twisting the cable may cause deformation of the crimping terminal or crimping socket.
- 2) After inserting the crimping terminal to the crimping socket, please make sure that the lance has been hooked with pulling the cable lightly. When checking the hook, please avoid bending the cable for preventing terminal drop-off.



- 3) Bundle cables/Cable Cables
Recommend bundle and strip position of cables are 100 mm or more.
Bundling close to the connectors may cause terminal drop-off, breaking cables and unstable connection.



HRS

| | |
|-------------|------------------|
| DRAWING NO. | EDC-163597-00-01 |
| PART NO. | DF22R-3EP-7.92C |
| CODE NO. | CL680-1060-5-00 |

2/3

Jul.1.2019 Copyright 2019 HIROSE ELECTRIC CO., LTD. All Rights Reserved.
In case of consideration for using Automotive equipment / device which demand high reliability, kindly contact our sales window correspondents.

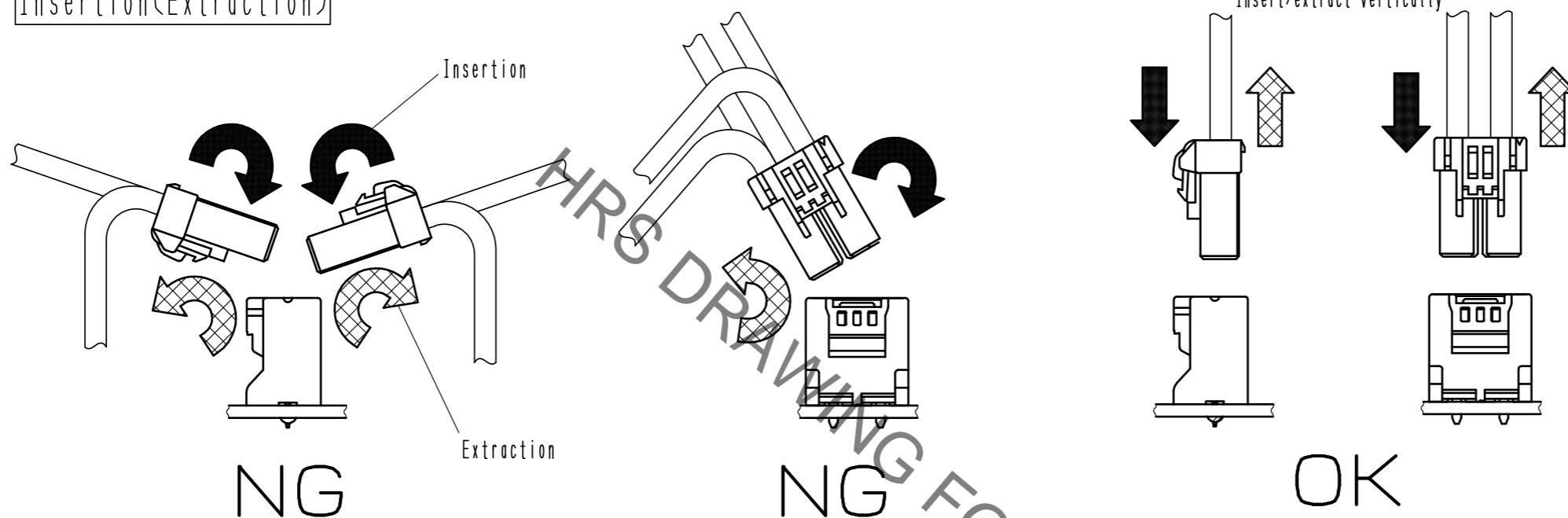


Precautions

Notification for Insertion/Extraction

1) Please insert(extract) the crimping socket straight to the mating connector.
Insertion(extraction) at tilted angles applies load concentration to the connector end and may cause deformation (at connection area, socket and header case, etc). There is firing risk using this kind of deformed connector.

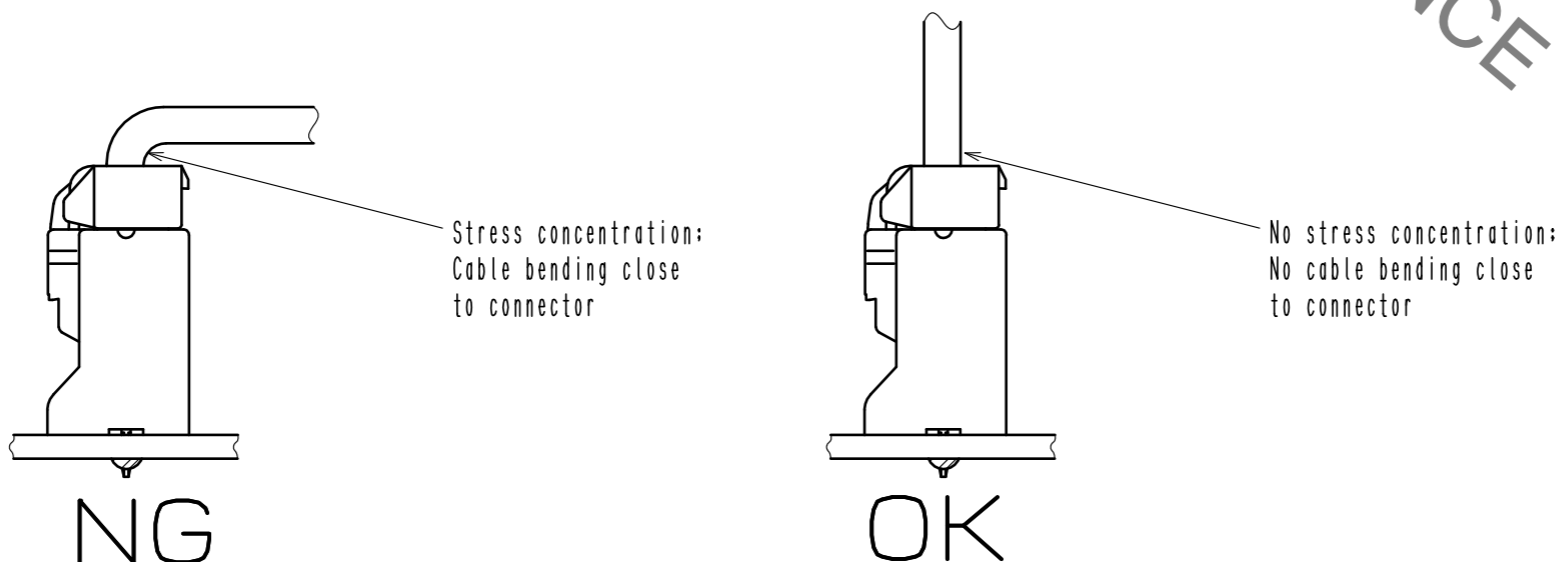
Insertion(Extraction)



2) When it is hard to extract, please lightly insert the connector beforehand and then pull it with releasing the lock.
Forced extraction has a risk of connector breakage.

Notification of wiring

1) When using a thick cable, short cable length and bending close to the connector end, these load concentration may cause deformation.
Please note that there is firing risk using deformed connector.
When installing, please refrain from stress concentration such as cable bending close to the connector end or cable twisting.



2) When applying load to connector end, please use the retainer for reducing the stress affection on the connector.
Retainer shall be installed after inserted crimping contact completely. It might be impossible to insert it when terminal installation is incompleated.



| | | | | |
|------------|-------------|------------------|--|-----|
| HRS | DRAWING NO. | EDC-163597-00-01 | | 3/3 |
| | PART NO. | DF22R-3EP-7.92C | | |
| | CODE NO. | CL680-1060-5-00 | | |
| | | | | |

Данный компонент на территории Российской Федерации

Вы можете приобрести в компании MosChip.

Для оперативного оформления запроса Вам необходимо перейти по данной ссылке:

<http://moschip.ru/get-element>

Вы можете разместить у нас заказ для любого Вашего проекта, будь то серийное производство или разработка единичного прибора.

В нашем ассортименте представлены ведущие мировые производители активных и пассивных электронных компонентов.

Нашей специализацией является поставка электронной компонентной базы двойного назначения, продукции таких производителей как XILINX, Intel (ex.ALTERA), Vicor, Microchip, Texas Instruments, Analog Devices, Mini-Circuits, Amphenol, Glenair.

Сотрудничество с глобальными дистрибьюторами электронных компонентов, предоставляет возможность заказывать и получать с международных складов практически любой перечень компонентов в оптимальные для Вас сроки.

На всех этапах разработки и производства наши партнеры могут получить квалифицированную поддержку опытных инженеров.

Система менеджмента качества компании отвечает требованиям в соответствии с ГОСТ Р ИСО 9001, ГОСТ РВ 0015-002 и ЭС РД 009

Офис по работе с юридическими лицами:

105318, г.Москва, ул.Щербаковская д.3, офис 1107, 1118, ДЦ «Щербаковский»

Телефон: +7 495 668-12-70 (многоканальный)

Факс: +7 495 668-12-70 (доб.304)

E-mail: info@moschip.ru

Skype отдела продаж:

moschip.ru

moschip.ru_4

moschip.ru_6

moschip.ru_9