

# SMD Multilayer Chip Varistor

AMCV-0201

RoHS  
Compliant



0.6 x 0.3 x 0.3mm

## FEATURES:

- SMD type, small size suitable for high density mounting
- Excellent clamping ratio and strong capability of voltage surge suppression
- Excellent solderability (Ni, Sn plating)

## APPLICATIONS:

- Transient voltage protection and voltage surge suppression for LED lighting
- Suitable for LCD-TV, STB, Switch, Router, PLC, Security System, smart meters, mobile phones
- Suppressing Induced / switching over-voltage caused by lightning and power
- Protecting DC-DC Module, I/O ports, IC driver

## STANDARD SPECIFICATIONS:

**Operating Temperature:** -55°C ~ +125°C

**Storage Temperature:** -10°C ~ +40°C and RH 70% (Max.)

| Part Number        | Max. Working Voltage |                  | Varistor Voltage | Max. Clamping Voltage        |                              | Rated Single Pulse Transient |                     | Typical Capacitance         |
|--------------------|----------------------|------------------|------------------|------------------------------|------------------------------|------------------------------|---------------------|-----------------------------|
|                    | DC                   | AC RMS           |                  | 8/20μs                       | ESD                          | Energy 10/1000μs             | Peak Current 8/20μs |                             |
| Test Condition     | <20μA                |                  | @1mA DC          | 8/20μs                       | ESD                          | Energy 10/1000μs             | Peak Current 8/20μs | @0.5V <sub>rms</sub> , 1MHz |
| Units              | Volts                | Volts            |                  |                              |                              |                              |                     |                             |
| Symbol             | V <sub>WDC</sub>     | V <sub>WAC</sub> | V <sub>B</sub>   | V <sub>C</sub> <sup>*1</sup> | V <sub>C</sub> <sup>*2</sup> | E <sub>T</sub>               | I <sub>P</sub>      | C                           |
| ACMV-0201-5R5-C150 | 5.5                  | 4.0              | 10.0-14.0        | 18                           | 23                           | 0.005                        | 1                   | 15                          |
| ACMV-0201-5R5-C220 | 5.5                  | 4.0              | 10.0-14.0        | 18                           | 23                           | 0.005                        | 1                   | 22                          |
| ACMV-0201-5R5-C330 | 5.5                  | 4.0              | 10.0-14.0        | 18                           | 23                           | 0.01                         | 3                   | 33                          |
| ACMV-0201-5R5-C400 | 5.5                  | 4.0              | 10.0-14.0        | 18                           | 23                           | 0.01                         | 5                   | 40                          |
| ACMV-0201-5R5-C500 | 5.5                  | 4.0              | 10.0-14.0        | 18                           | 23                           | 0.01                         | 5                   | 50                          |
| ACMV-0201-090-C150 | 9.0                  | 6.4              | 11.0-16.0        | 20                           | 26                           | 0.005                        | 1                   | 15                          |
| ACMV-0201-090-C220 | 9.0                  | 6.4              | 11.0-16.0        | 20                           | 26                           | 0.005                        | 1                   | 22                          |
| ACMV-0201-090-C330 | 9.0                  | 6.4              | 11.0-16.0        | 20                           | 26                           | 0.01                         | 3                   | 33                          |
| ACMV-0201-090-C400 | 9.0                  | 6.4              | 11.0-16.0        | 20                           | 26                           | 0.01                         | 5                   | 40                          |
| ACMV-0201-090-C500 | 9.0                  | 6.4              | 11.0-16.0        | 20                           | 26                           | 0.01                         | 5                   | 50                          |
| ACMV-0201-140-C150 | 14.0                 | 10.0             | 16.0-22.0        | 30                           | 39                           | 0.005                        | 1                   | 15                          |

\*1: V<sub>c</sub>, Maximum peak voltage across the varistor measured at a specified pulse current and waveform.

|                 |                  |
|-----------------|------------------|
| Energy Rating   | Pulse & Waveform |
| 0.00-0.05 Joule | 1A, 8/20μs       |
| 0.10 Joule      | 2A, 8/20μs       |

\*2: V<sub>c</sub>, Maximum peak voltage across the varistor measured at 30ns after initiation of pulse on IEC61000-4-2 30A/8KV.

## Test Conditions

Unless otherwise specified, the standard atmospheric conditions for measurement/test as:

- Ambient Temperature: 20±15°C
- Relative Humidity: 65±20%
- Air Pressure: 86 kPa to 106 kPa



# SMD Multilayer Chip Varistor



0.6 x 0.3 x 0.3mm

AMCV-0201

**RoHS**  
Compliant

| Items                                | Test Methods and Remarks                               |
|--------------------------------------|--|
| Varistor Voltage at 1mA DC ( $V_B$ ) | Measuring current: 1mA DC<br>Duration: 0.2 to 2 sec    |
| Capacitance (C)                      | Measure source: 0.5 $V_{RMS}$<br>Test frequency: 1MHz. |
| Leakage Current ( $I_L$ )            | Measuring voltage: Maximum DC working voltage          |
| Clamping Voltage ( $V_C$ )           | Measuring source: 8/20us waveform, ESD waveform        |

## OPTIONS AND PART IDENTIFICATION:

AMCV-0201- - C   -

### Voltage Code

Please refer to the table above

### Capacitance Code

Please refer to the table above

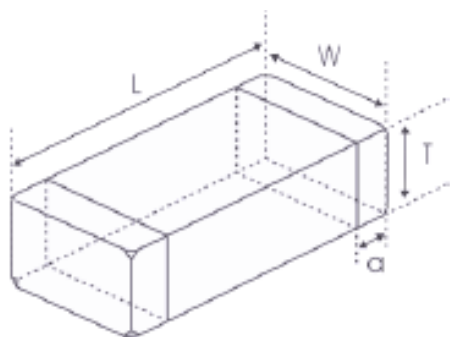
### Tolerance

N= $\pm 30\%$   
Y=+100%, -50%  
G=+0%, -60%

### Packaging

T: Tape and Reel  
(15kpcs / reel)

## OUTLINE DIMENSION:



| L              | W              | T              |
|----------------|----------------|----------------|
| 0.6 $\pm$ 0.05 | 0.3 $\pm$ 0.05 | 0.3 $\pm$ 0.05 |

### Recommended Land Pattern



| A         | B         | C         |
|-----------|-----------|-----------|
| 0.20~0.30 | 0.20~0.30 | 0.30~0.35 |

**Dimension: mm**

# SMD Multilayer Chip Varistor



0.6 x 0.3 x 0.3mm

AMCV-0201

**RoHS**  
Compliant

## Materials

Side View



Top View



|   | Part Name          | Material                                |
|---|--------------------|---|
| 1 | Base Material      | ZnO                                     |
| 2 | Internal Conductor | Ag-Pd                                   |
| 3 | Terminal Electrode | Ag (Inner layer)<br>Ni-Sn (Outer layer) |



## REFLOW PROFILE:



|                             |                               |
|-----------------------------|-------------------------------|
| Preheat Condition           | 150 to 200 °C; 60 to 120 sec. |
| Allowed time above 217 °C   | 60 to 90 sec.                 |
| Max temperature             | 260 °C                        |
| Max time at max temperature | 10 sec.                       |
| Solder paste                | Sn/3.0Ag/0.5Cu                |
| Allowed Reflow time         | 2x max.                       |

# SMD Multilayer Chip Varistor

AMCV-0201

RoHS  
Compliant



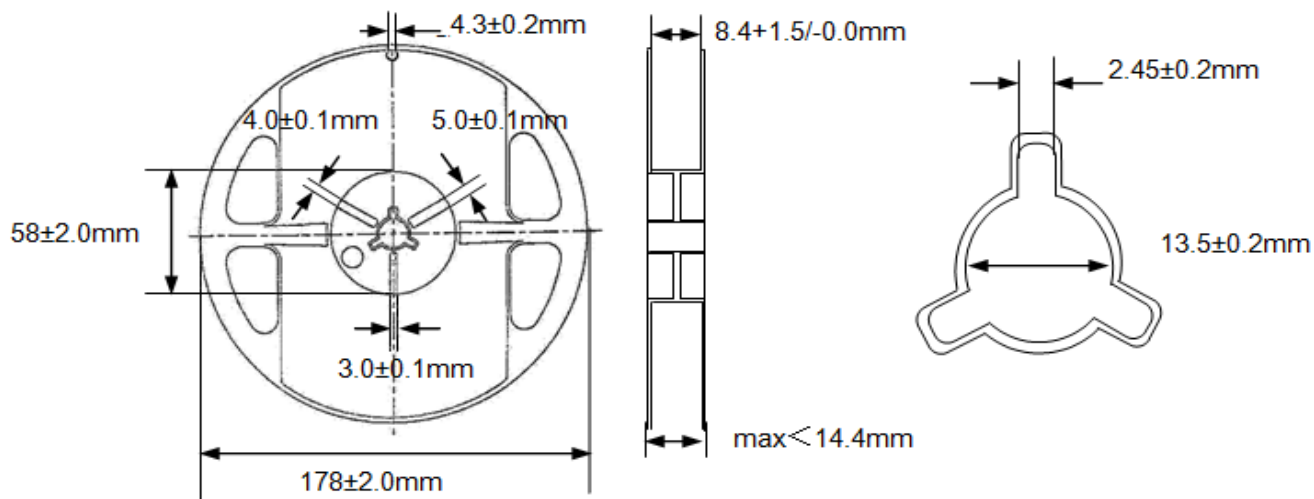
0.6 x 0.3 x 0.3mm

## TAPE & REEL:

T: 15,000pcs / reel



| A        | B        | P        | T (max) |
|----------|----------|----------|---------|
| 0.40±0.1 | 0.70±0.1 | 2.0±0.05 | 0.55    |



### Storage Conditions

- The solderability of the external electrode may be deteriorated if packages are stored where they are exposed to high humidity. Package must be stored at 40°C or less and 70% RH or less.
- The solderability of the external electrode may be deteriorated if packages are stored where they are exposed to dust or harmful gas (e.g. HCl, sulfurous gas of H<sub>2</sub>S).
- Packaging material may be deformed if packages are stored where they are exposed to heat or direct sunlight.
- Solderability shall be guaranteed for 6 months from the date of delivery on condition that they are stored at the environment specified in **a**. The parts that are stored more than 6 months shall be checked solderability before use.

**Dimension: mm**

**ATTENTION:** Abracon Corporation's products are COTS – Commercial-Off-The-Shelf products; suitable for Commercial, Industrial and, where designated, Automotive Applications. Abracon's products are not specifically designed for Military, Aviation, Aerospace, Life-dependant Medical applications or any application requiring high reliability where component failure could result in loss of life and/or property. For applications requiring high reliability and/or presenting an extreme operating environment, written consent and authorization from Abracon Corporation is required. Please contact Abracon Corporation for more information.

ABRACON IS  
ISO 9001:2008  
CERTIFIED



Visit [www.abracon.com](http://www.abracon.com) for Terms & Conditions of Sale **Revised: 11.30.12**  
30332 Esperanza, Rancho Santa Margarita, California 92688  
tel 949-546-8000 | fax 949-546-8001 | [www.abracon.com](http://www.abracon.com)

## Данный компонент на территории Российской Федерации

### Вы можете приобрести в компании MosChip.

Для оперативного оформления запроса Вам необходимо перейти по данной ссылке:

<http://moschip.ru/get-element>

Вы можете разместить у нас заказ для любого Вашего проекта, будь то серийное производство или разработка единичного прибора.

В нашем ассортименте представлены ведущие мировые производители активных и пассивных электронных компонентов.

Нашей специализацией является поставка электронной компонентной базы двойного назначения, продукции таких производителей как XILINX, Intel (ex.ALTERA), Vicor, Microchip, Texas Instruments, Analog Devices, Mini-Circuits, Amphenol, Glenair.

Сотрудничество с глобальными дистрибьюторами электронных компонентов, предоставляет возможность заказывать и получать с международных складов практически любой перечень компонентов в оптимальные для Вас сроки.

На всех этапах разработки и производства наши партнеры могут получить квалифицированную поддержку опытных инженеров.

Система менеджмента качества компании отвечает требованиям в соответствии с ГОСТ Р ИСО 9001, ГОСТ РВ 0015-002 и ЭС РД 009

### Офис по работе с юридическими лицами:

105318, г.Москва, ул.Щербаковская д.3, офис 1107, 1118, ДЦ «Щербаковский»

Телефон: +7 495 668-12-70 (многоканальный)

Факс: +7 495 668-12-70 (доб.304)

E-mail: [info@moschip.ru](mailto:info@moschip.ru)

Skype отдела продаж:

moschip.ru

moschip.ru\_4

moschip.ru\_6

moschip.ru\_9