

THE INFORMATION CONTAINED HEREIN IS CONSIDERED 'PROPRIETARY' TO BEL FUSE INC. AND SHALL NOT BE COPIED, REPRODUCED OR DISCLOSED WITHOUT THE WRITTEN APPROVAL OF BEL FUSE INC.

LED 2 & 4 POLARITY			LED 1 & 3 POLARITY		
PIN 13	PIN 14	COLOR	PIN 15	PIN 16	COLOR
+	-	YELLOW	+	-	YELLOW
-	+	GREEN	-	+	GREEN



ELECTRICAL CHARACTERISTICS @ 25°C

URNS RATIO

TP1	1CT : 1CT ±2%
TP2	1CT : 1CT ±2%
TP3	1CT : 1CT ±2%
TP4	1CT : 1CT ±2%

OCL @ 100kHz/100mVRMS

FOR CHANNEL 1 AND CHANNEL 2
 11mA DC BIAS 350µH MIN.
 Compliant to IEEE 802.3at specification
 FOR CHANNEL 3 AND CHANNEL 4
 8mA DC BIAS 350µH MIN.

INS. LOSS

0.1MHz TO 1MHz	-1.1 dB MAX
1MHz TO 65MHz	-0.5 dB MAX
65MHz TO 100MHz	-0.8 dB MAX
100MHz TO 125MHz	-1.2 dB MAX

RET. LOSS (MIN) @ 100ΩHMS ±15%

0.5MHz-40MHz	-18 dB
40MHz-100MHz	-12+20LOG(f/80MHz) dB

CM TO CM REJ

100kHz - 100MHz -30 dB MIN

CM TO DM REJ

100kHz - 100MHz -35 dB MIN

HIPOT (Isolation Voltage): 2250 VDC

100% OF PRODUCTION TESTED TO COMPLY WITH
 IEEE 802.3 ISOLATION REQUIREMENTS.

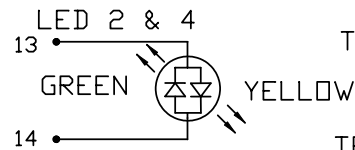
BALANCED DC LINE CURRENT 720 mA MAX. @ 57 VDC CONTINUOUS

1.2A MAX. @ 57 VDC FOR 200 MILLISECONDS

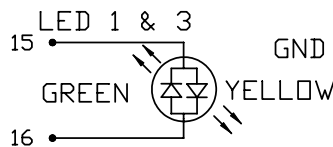
LED 1 & 2 & 3 & 4

VF (FORWARD VOLTAGE) IF=20mA GREEN 2.2V TYP.
 YELLOW 2.1V TYP.
 λD (DOMINANT WAVELENGTH) IF=20mA GREEN 565nm TYP.
 YELLOW 590nm TYP.

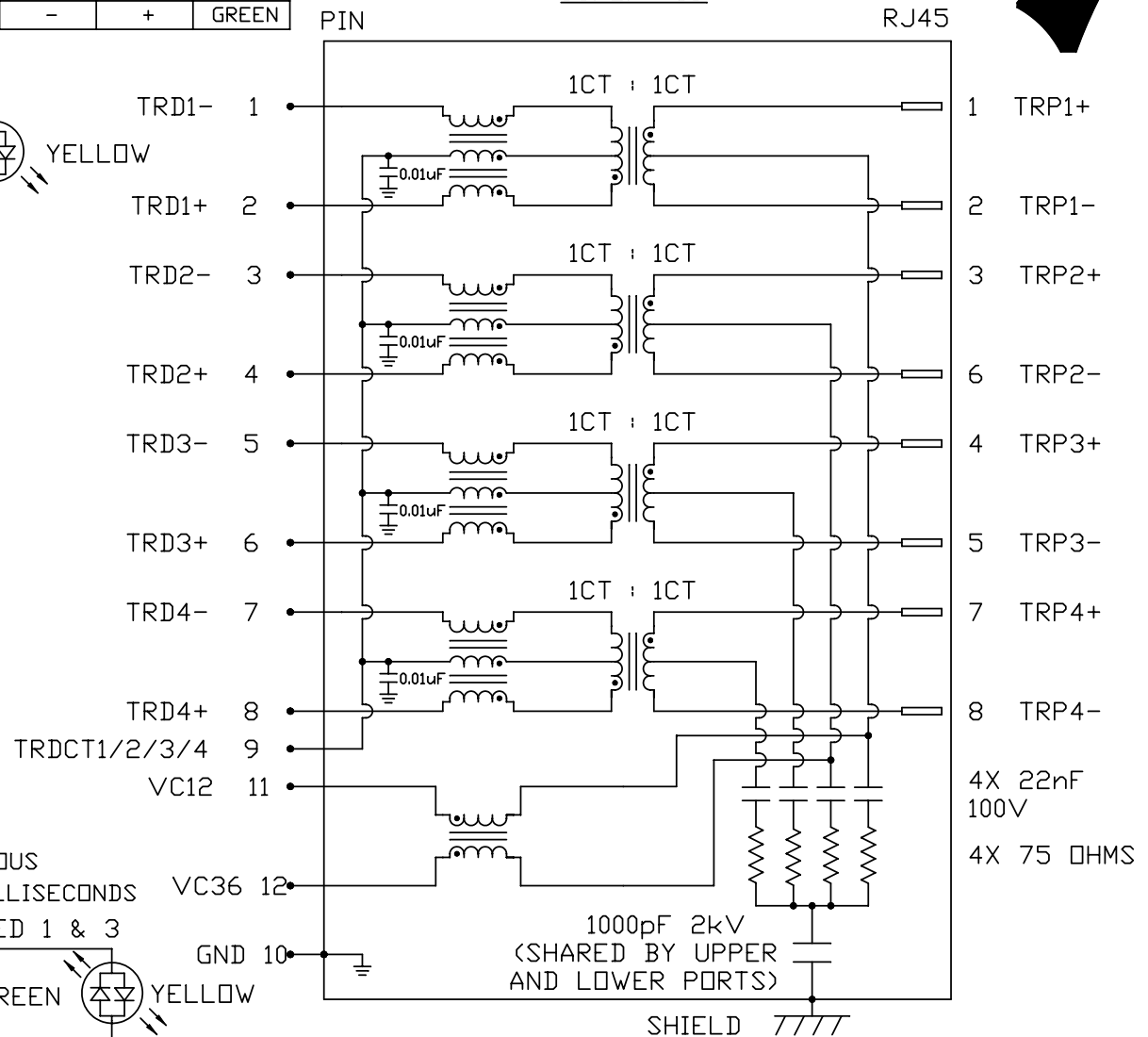
OPERATING TEMPERATURE -40°C TO +85°C



TRDCT1/2/3/4



SCHEMATIC



ORIGINATED BY	DATE
CHOW WANCHUNG	2011-12-01
DRAWN BY	DATE
TAN QIGUANG	2011-12-01

TITLE 2X4 gigabit MagJack®
 PoEp
 (WITH EXTENDED TEMPERATURE)
 PATENTED

PART NO. / DRAWING NO.
 0895-2C4R-GK
FILE NAME
 0895-2C4R-GK_A.DWG

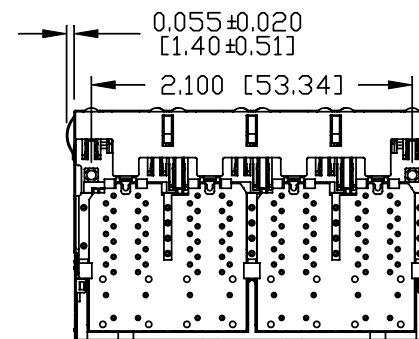
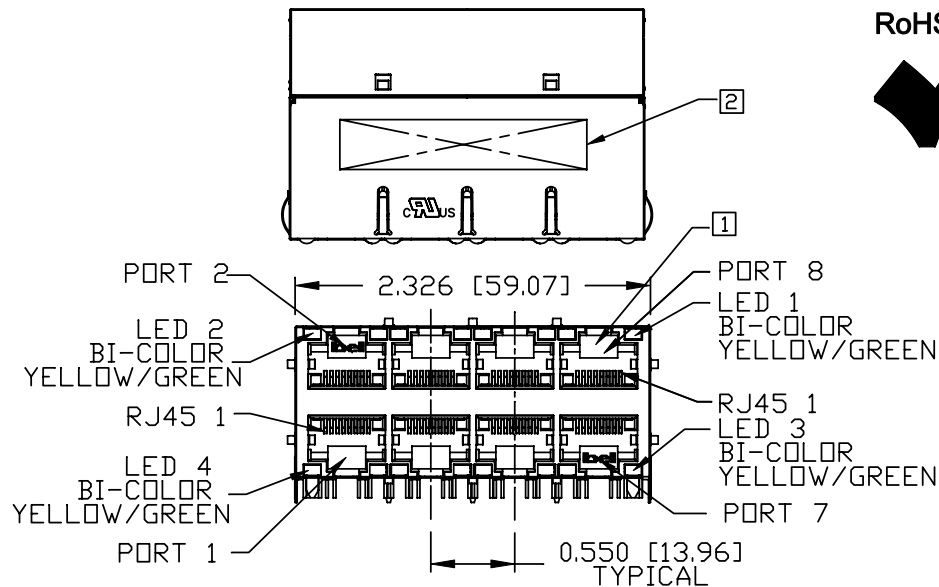
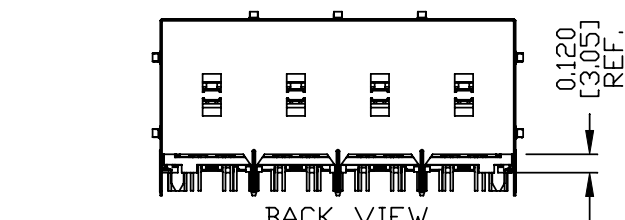
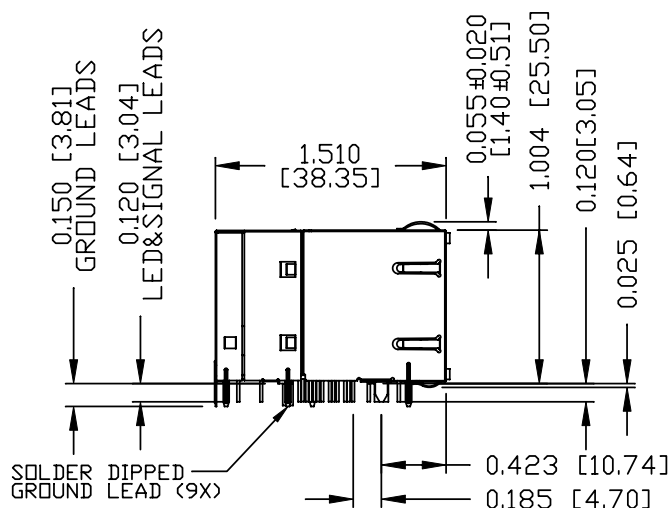
STANDARD DIM. TOL. IN INCH
.X
.XX
.XXX

[] METRIC DIM. AS REFERENCE	
UNIT : INCH [mm]	REV. : A
SCALE : N/A	SIZE : A4
PAGE : 2	



THE INFORMATION CONTAINED HEREIN IS CONSIDERED 'PROPRIETARY' TO BEL FUSE INC. AND SHALL NOT BE COPIED, REPRODUCED OR DISCLOSED WITHOUT THE WRITTEN APPROVAL OF BEL FUSE INC.

RoHS



NOTES:

PLASTIC HOUSING: THERMOPLASTIC PBT
 FLAMMABILITY RATING UL 94V-0
 CONTACT PLATING: 50 MICRO-INCH HARD GOLD PLATING
 OUTPUT PINS: TIN-COATED COPPER WIRE, DIA 0.018 INCH.
 METAL SHIELD: NICKEL PLATED ON COPPER ALLOY.
 (ALL GROUND LEADS ARE SOLDER DIPPED)

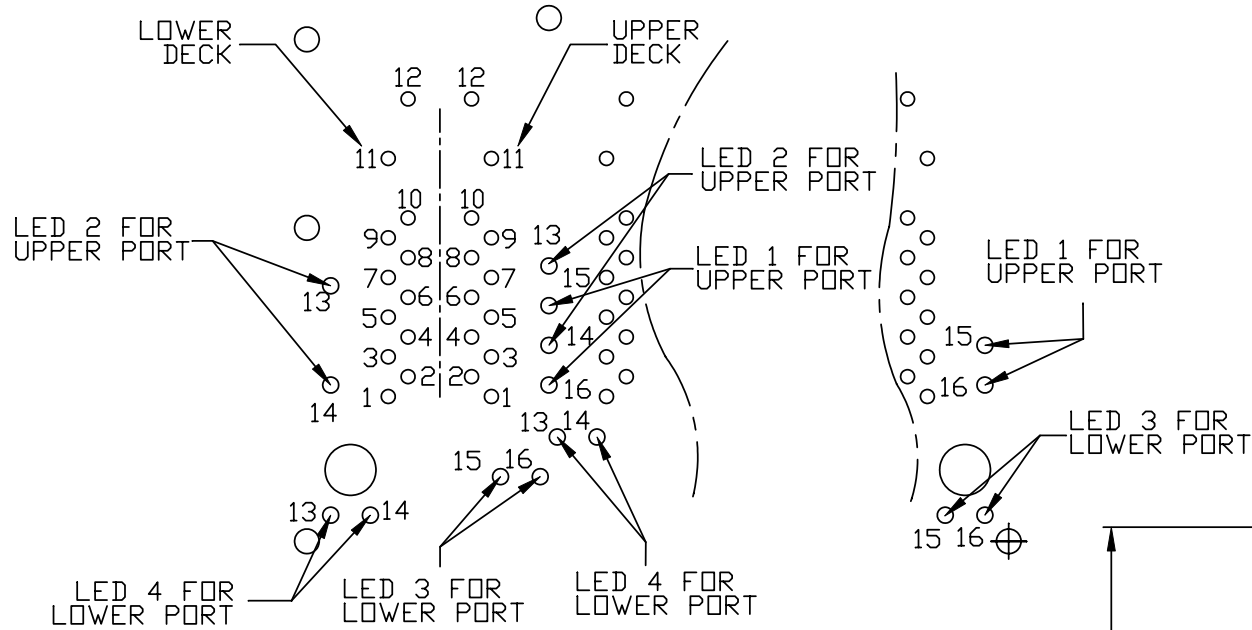
- [1] JACK CAVITY CONFORMS TO FCC RULES AND REGULATIONS, PART 68 SUBPART F.
- [2] MARK PART WITH MFG LOGO, PART NUMBER, DATE CODE, MFG NAME AND PATENTED.

- 3. THE PRODUCT IS RoHS COMPLIANT.
- cULus UL RECOGNIZED - FILE #E196366 AND E169987.
- 4. REVERSED POLARITY OF GENERAL 'C' LED.
- 5. THE PRODUCT IS PATENT PRODUCT. THE PATENT NUMBER ARE U.S. PAT. 5,736,910 AND U.S. PAT. 6,840,817 AND U.S. PAT. 7,123,117.

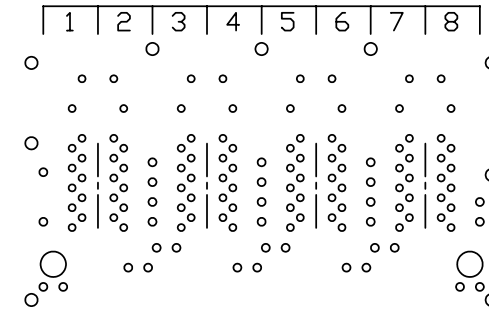
ORIGINATED BY	DATE	TITLE 2X4 gigabit MagJack® PoEp (WITH EXTENDED TEMPERATURE) PATENTED	PART NO. / DRAWING NO.	STANDARD DIM. TOL. IN INCH		[] METRIC DIM. AS REFERENCE		 COMPONENTS FOR A CONNECTED PLANET
ANTON LIAD	2011-12-01		0895-2C4R-GK	.X		UNIT : INCH [mm]	REV. : A	
DRAWN BY	DATE	FILE NAME	.XX		SCALE : N/A	SIZE : A4		
JESSE LI	2011-12-01	0895-2C4R-GK_A.DWG	.XXX	±0.010		PAGE : 3		

THE INFORMATION CONTAINED HEREIN IS CONSIDERED "PROPRIETARY" TO BEL FUSE INC. AND SHALL NOT BE COPIED, REPRODUCED OR DISCLOSED WITHOUT THE WRITTEN APPROVAL OF BEL FUSE INC.

RoHS

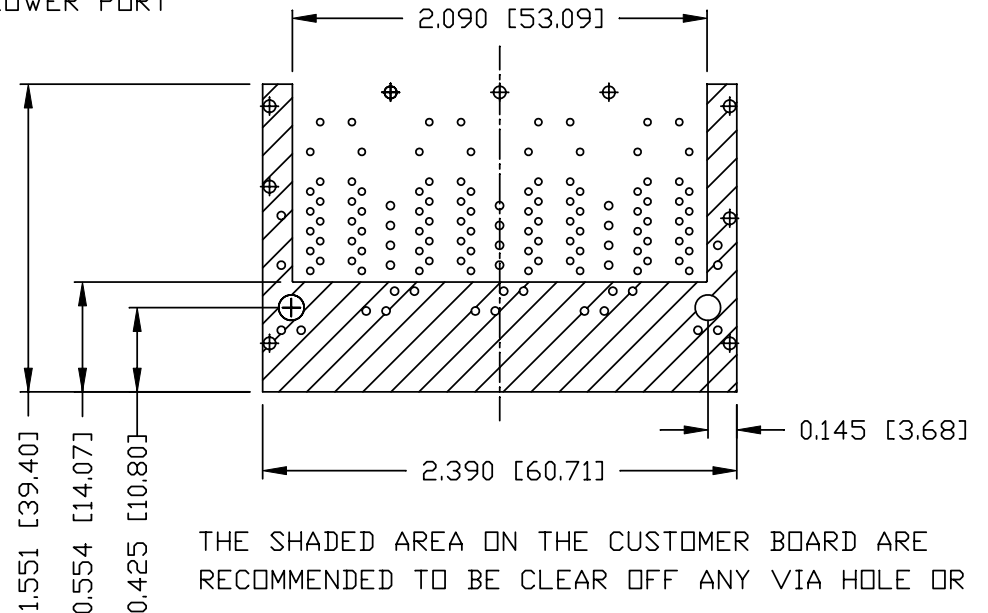


PORT ASSIGNMENT
(COMPONENT SIDE VIEW)



PIN-OUT INFORMATION
(COMPONENT SIDE VIEW)

10	GND		
9	TRDCT1/2/3/4		
8	TRD 4+		
7	TRD 4-		
6	TRD 3+	16	YEL(-) GRN(+)
5	TRD 3-	15	YEL(+) GRN(-)
4	TRD 2+	14	YEL(-) GRN(+)
3	TRD 2-	13	YEL(+) GRN(-)
2	TRD 1+	12	VC36
1	TRD 1-	11	VC12



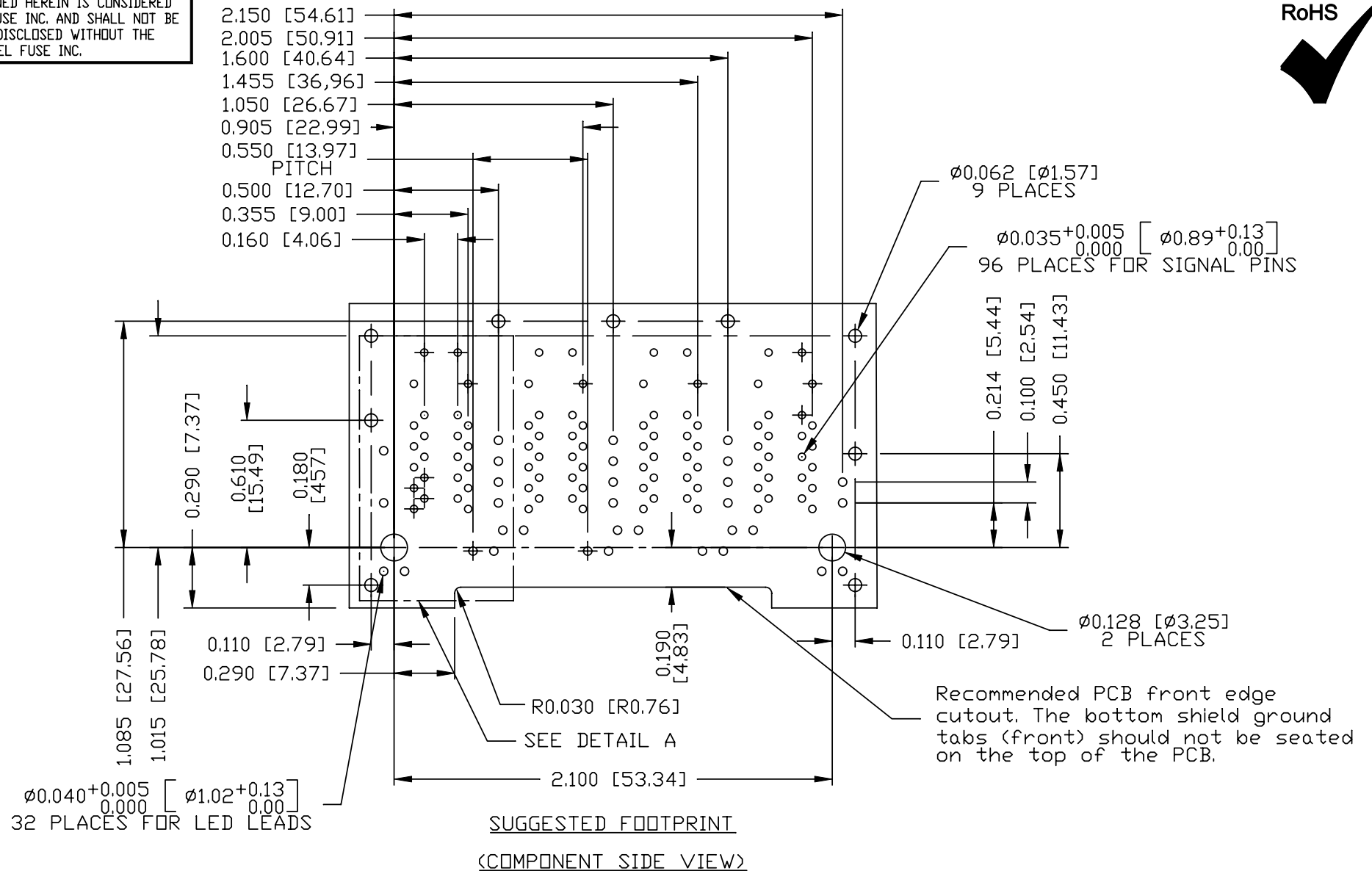
THE SHADED AREA ON THE CUSTOMER BOARD ARE RECOMMENDED TO BE CLEAR OFF ANY VIA HOLE OR COMPONENT PAD.

ORIGINATED BY ANTON LIAD	DATE 2011-12-01	TITLE 2X4 glgabit MagJack® PoEp (WITH EXTENDED TEMPERATURE) PATENTED	PART NO. / DRAWING NO. 0895-2C4R-GK	STANDARD DIM. TOL. IN INCH		[] METRIC DIM. AS REFERENCE	
				.X		UNIT : INCH [mm]	REV. : A
DRAWN BY JESSE LI	DATE 2011-12-01		FILE NAME 0895-2C4R-GK_A.DWG	.XX		SCALE : N/A	SIZE : A4
				.XXX	±0.004		PAGE : 4



THE INFORMATION CONTAINED HEREIN IS CONSIDERED "PROPRIETARY" TO BEL FUSE INC. AND SHALL NOT BE COPIED, REPRODUCED OR DISCLOSED WITHOUT THE WRITTEN APPROVAL OF BEL FUSE INC.

RoHS

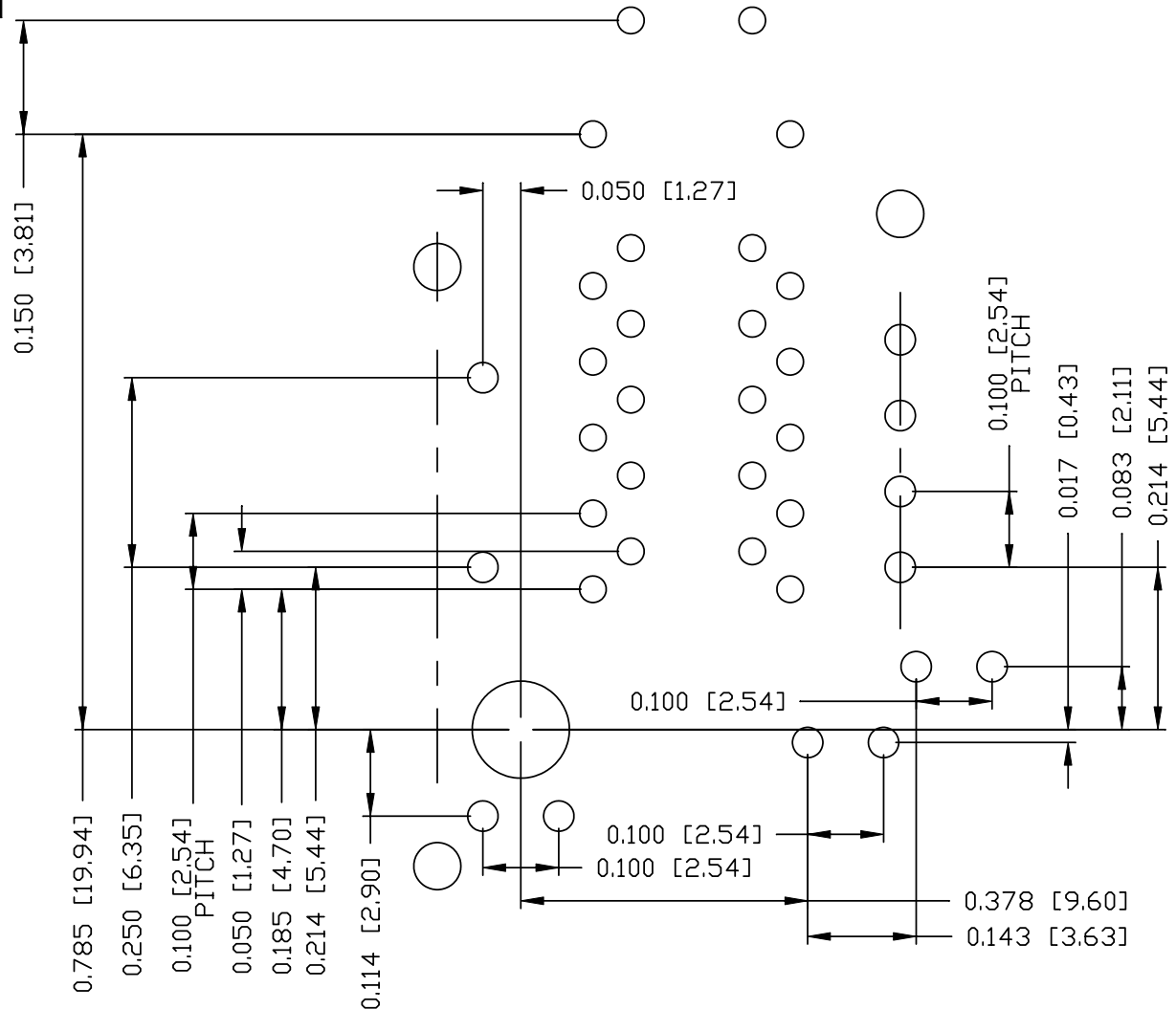
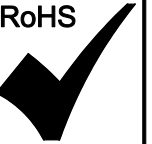


SUGGESTED FOOTPRINT
(COMPONENT SIDE VIEW)

ORIGINATED BY ANTON LIAO	DATE 2011-12-01	TITLE 2X4 gigabit MagJack® PoEp (WITH EXTENDED TEMPERATURE) PATENTED	PART NO. / DRAWING NO. 0895-2C4R-GK	STANDARD DIM. TOL. IN INCH	[] METRIC DIM. AS REFERENCE	 COMPONENTS FOR A CONNECTED PLANET
DRAWN BY JESSE LI	DATE 2011-12-01		FILE NAME 0895-2C4R-GK_A.DWG	.X .XX .XXX	UNIT : INCH [mm] SCALE : N/A PAGE : 5	

THE INFORMATION CONTAINED HEREIN IS CONSIDERED "PROPRIETARY" TO BEL FUSE INC. AND SHALL NOT BE COPIED, REPRODUCED OR DISCLOSED WITHOUT THE WRITTEN APPROVAL OF BEL FUSE INC.

RoHS



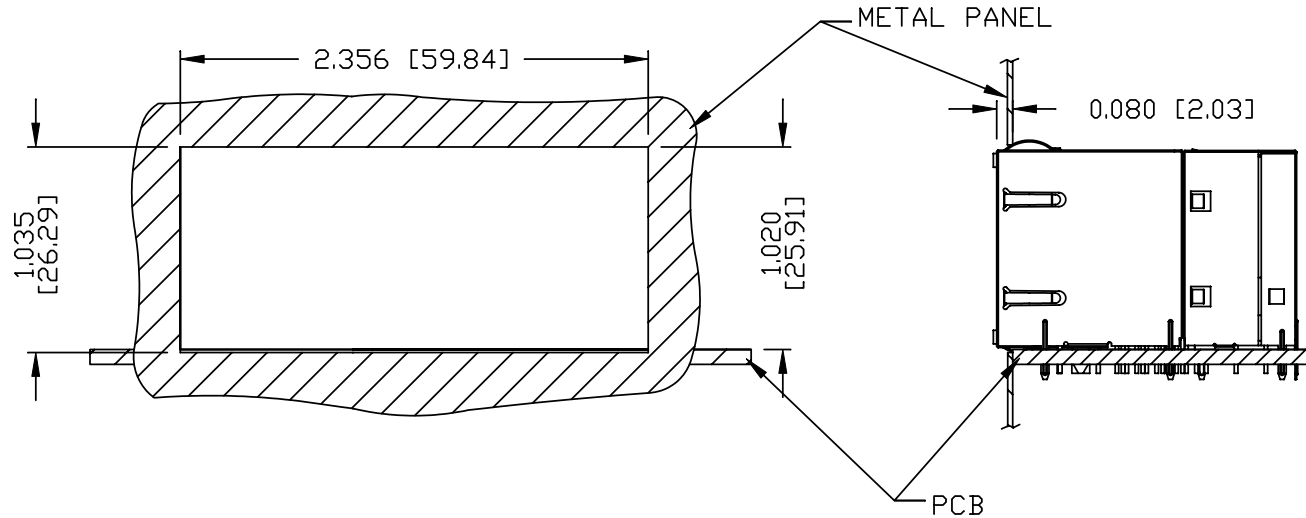
DETAIL A

ORIGINATED BY ANTON LIAO	DATE 2011-12-01	TITLE 2X4 gigabit MagJack® PoEp (WITH EXTENDED TEMPERATURE) PATENTED	PART NO. / DRAWING NO. 0895-2C4R-GK		STANDARD DIM. TOL. IN INCH		[] METRIC DIM. AS REFERENCE		 COMPONENTS OR A CONNECTED PLANET
			FILE NAME 0895-2C4R-GK_A.DWG		.X		UNIT : INCH [mm]	REV. : A	
DRAWN BY JESSE LI	DATE 2011-12-01				.XX		SCALE : N/A	SIZE : A4	
					.XXX	±0.004		PAGE : 6	

THE INFORMATION CONTAINED HEREIN IS CONSIDERED "PROPRIETARY" TO BEL FUSE INC. AND SHALL NOT BE COPIED, REPRODUCED OR DISCLOSED WITHOUT THE WRITTEN APPROVAL OF BEL FUSE INC.



SUGGESTED PANEL OPENING



NOTE:

THE DISTANCE OF PANEL INSIDE SURFACE RELATIVE TO FRONT SURFACE OF PART IS ONLY A SUGGESTION. IN CASE THIS DISTANCE IS DIFFERENT, THE REQUIRED PANEL OPENING DIMENSIONS CHANGE ACCORDINGLY.

PACKING INFORMATION

PACKING TRAY : 0200-9999-G2 (TOP)
0200-9999-G3 (BOTTOM)

PACKING QUANTITY : 20 PCS FINISHED GOODS PER TRAY
5 TRAYS (100 PCS FINISHED GOODS) PER CARTON BOX

REMARK : CARDBOARDS ARE PLACED BETWEEN LAYERS OF PACKING TRAY INSIDE CARTON BOX
(INCLUDE THE UPPERMOST AND LOWERMOST TRAY)

ORIGINATED BY ANTON LIAO	DATE 2011-12-01	TITLE 2X4 gigabit MagJack® PoEp (WITH EXTENDED TEMPERATURE) PATENTED	PART NO. / DRAWING NO. 0895-2C4R-GK		STANDARD DIM. TOL. IN INCH		[] METRIC DIM. AS REFERENCE		 COMPONENTS FOR A CONNECTED PLANET
			FILE NAME 0895-2C4R-GK_A.DWG		.X		UNIT : INCH [mm]	REV. : A	
DRAWN BY JESSE LI	DATE 2011-12-01				.XX		SCALE : N/A	SIZE : A4	
					.XXX	±0.004		PAGE : 7	

Данный компонент на территории Российской Федерации

Вы можете приобрести в компании MosChip.

Для оперативного оформления запроса Вам необходимо перейти по данной ссылке:

<http://moschip.ru/get-element>

Вы можете разместить у нас заказ для любого Вашего проекта, будь то серийное производство или разработка единичного прибора.

В нашем ассортименте представлены ведущие мировые производители активных и пассивных электронных компонентов.

Нашей специализацией является поставка электронной компонентной базы двойного назначения, продукции таких производителей как XILINX, Intel (ex.ALTERA), Vicor, Microchip, Texas Instruments, Analog Devices, Mini-Circuits, Amphenol, Glenair.

Сотрудничество с глобальными дистрибьюторами электронных компонентов, предоставляет возможность заказывать и получать с международных складов практически любой перечень компонентов в оптимальные для Вас сроки.

На всех этапах разработки и производства наши партнеры могут получить квалифицированную поддержку опытных инженеров.

Система менеджмента качества компании отвечает требованиям в соответствии с ГОСТ Р ИСО 9001, ГОСТ РВ 0015-002 и ЭС РД 009

Офис по работе с юридическими лицами:

105318, г.Москва, ул.Щербаковская д.3, офис 1107, 1118, ДЦ «Щербаковский»

Телефон: +7 495 668-12-70 (многоканальный)

Факс: +7 495 668-12-70 (доб.304)

E-mail: info@moschip.ru

Skype отдела продаж:

moschip.ru

moschip.ru_4

moschip.ru_6

moschip.ru_9