

## Industrial 24mm Diameter 5 Watt, Wirewound Rotary Potentiometer

### Features

- Dust-proof construction
- Precision linearity
- 5 watt power rating
- Superior resistance stability in temperature and environment change
- Tandem constructions available
- Bushing or twist tab mounting
- Available with pull-push and rotary power switches
- RoHS compliant



## Electrical and Mechanical Specifications

### Resistance Range

Linear : 1 ohm through 25K ohms  
Audio : 20 ohms through 10K ohms

### Resistance Tolerance

±20%, ±10%, ±5%

### Power Rating

5 watts @ 25°C

### Dielectric Strength

1,000 VAC for 1 minute

### Maximum Operating Voltage

500 VDC

### Insulation Resistance

100 Megohms minimum @ 250 VDC

### Rotational Angle

Mechanical Angle: 300°±5°  
Effective Angle:  
Without switch: 280°  
With switch: 240°

### Rotational Torque

3/4 to 6 in. oz. (54 - 432 gf-cm)

### Linearity (linear curve only)

Standard: 3% linearity  
Special : 2% linearity

### Mounting Information

Bushing Mount  
Twisted Tab

### Power Switch

Rotary Switch-SPST, DPST, SPDT  
Pull-Push Switch-SPST (Pull-ON, Push-OFF)

### Rotational Life

standard : 10,000 cycles  
special : 50,000 , 100,000 cycles

### Solder Heat Resistance

Maximum 350° C for 3 sec

### Operating Temperature

-30° C to +105° C

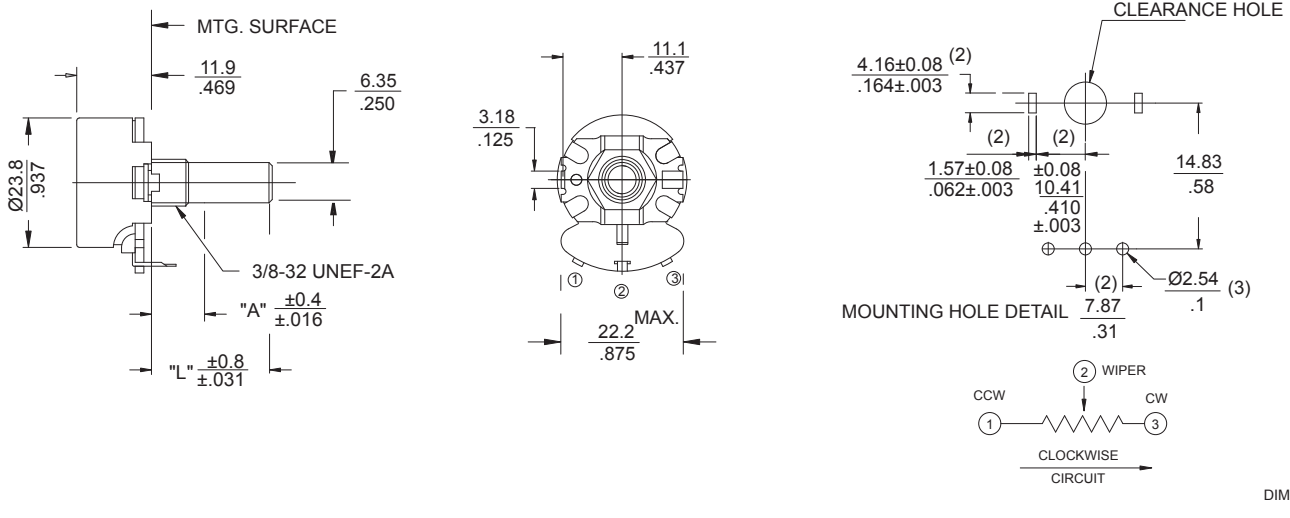
## T026 Metal Shaft, Bushing Mounting, Type "T" Solder Lug Terminals



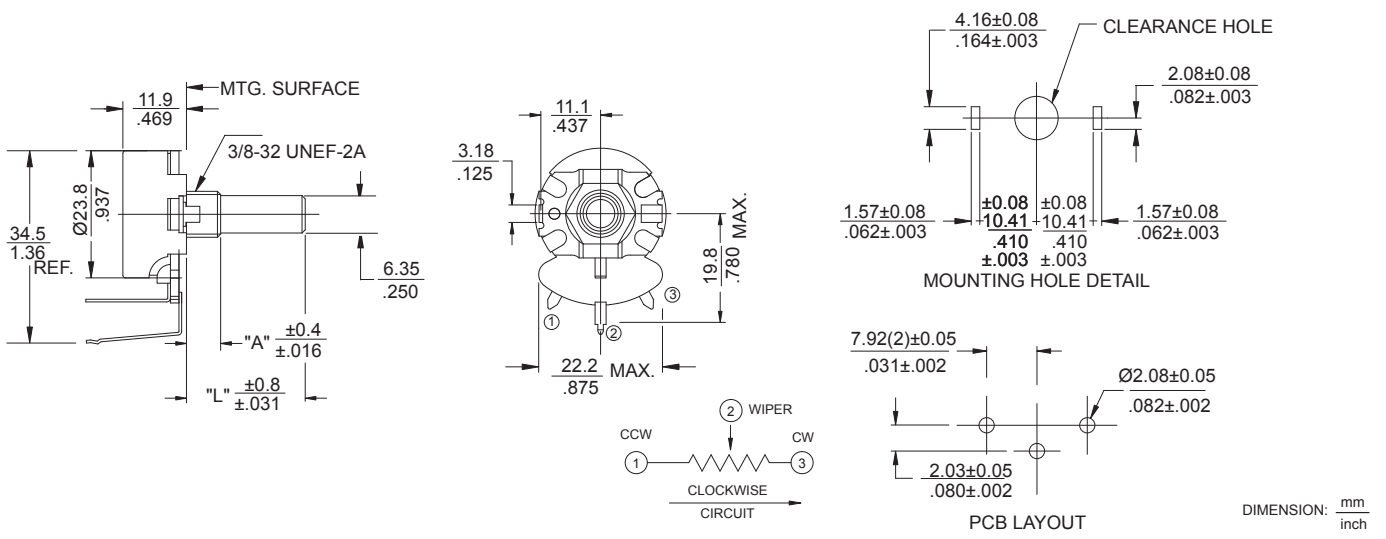
## X026 / Y026 Metal Shaft, Bushing Mounting, Printed Circuit Type X/Y Terminals



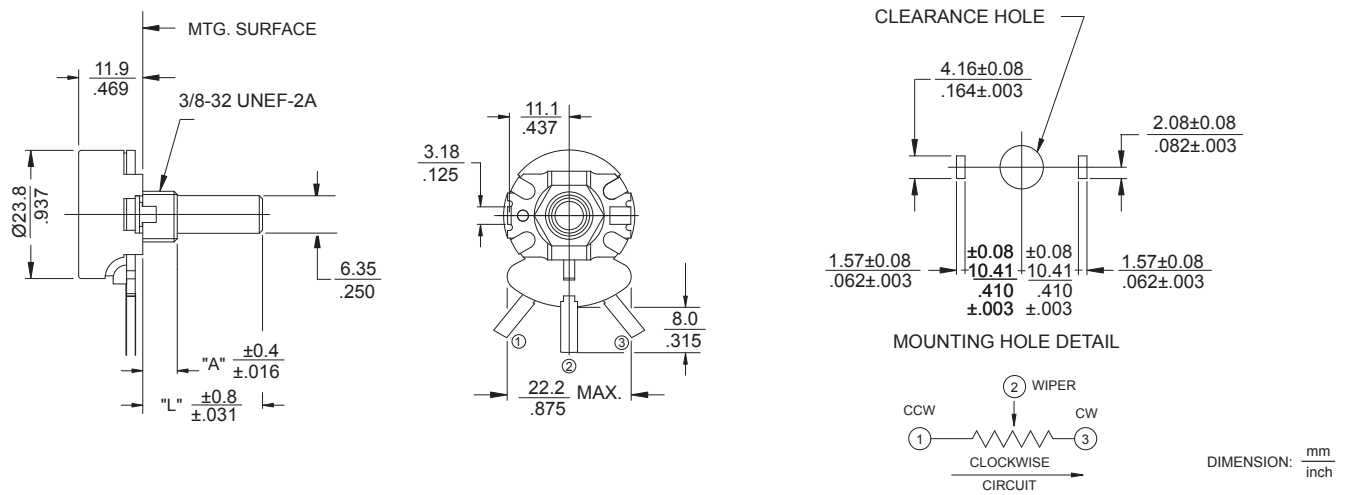
## U026 Metal Shaft, Bushing Mounting, Printed Circuit Type "U" Formed Terminals



## V026 Metal Shaft, Bushing Mounting, Printed Circuit Type "V" Formed Terminals



## S026 Metal Shaft, Bushing Mounting, Faston Type "S" Formed Terminals



## VPE026 Metal Shaft, Twist TAB Mounting, Type "V" Formed Terminals



## T2-026 Dual-section, Metal Shaft, Bushing Mounting, Type "T" Solder Lug Terminals



\* More multi-section models available, consult CTS for details

## Ordering Information

| <b>026</b>  | <b>T</b>  | <b>2</b>  | <b>20</b>   | <b>R</b>       | <b>103</b> | <b>B</b> | <b>1</b> | <b>A</b>        | <b>1</b> |               |                 |     |                                |                 |     |               |                    |      |               |  |  |  |
|---|---|---|---|----------------|------------|----------|----------|-----------------|----------|---------------|-----------------|-----|--------------------------------|-----------------|-----|---------------|--------------------|------|---------------|--|--|--|
| <b>TERMINAL STYLE</b><br>T - SOLDER LUG<br>X - PC .687"(17.5mm)<br>Y - PC .867"(22.0mm)<br>U - FORMED TO FRONT<br>V - FORMED TO REAR<br>S - FASTON  | <b>METAL MOUNTING STYLE "A"</b><br><b>BUSHING LENGTH: 1/8" INCREMENTS</b><br><b>EXAMPLES:</b><br>2 - .250"(6.35mm)<br>3 - .375"(9.53mm)<br>8 - 1.000"(25.4mm)<br>1 - TWIST TAB MOUNT<br>A - .250"(6.35mm) DIECAST<br>B - .375"(9.53mm) DIECAST  | <b>SHAFT TRIM</b><br>R - ROUND<br>F - FLATTED .375"X.156" (9.53mmX4.0mm)<br>K - KNURLED EIA S148 24 TEETH<br>S - SD SLOT .063" DEEP X.047" WIDE (1.6mmX1.2mm) | <b>RESISTANCE CODE EXAMPLES</b><br><table border="1"> <thead> <tr> <th>CODE</th> <th>RESISTANCE</th> </tr> </thead> <tbody> <tr> <td>5A0</td> <td>5 OHMS</td> </tr> <tr> <td>501</td> <td>500 OHMS</td> </tr> <tr> <td>102</td> <td>1K</td> </tr> <tr> <td>252</td> <td>2.5K</td> </tr> <tr> <td>502</td> <td>5K</td> </tr> <tr> <td>103</td> <td>10K</td> </tr> <tr> <td>253</td> <td>25K</td> </tr> </tbody> </table> | CODE           | RESISTANCE | 5A0      | 5 OHMS   | 501             | 500 OHMS | 102           | 1K              | 252 | 2.5K                           | 502             | 5K  | 103           | 10K                | 253  | 25K           | <b>RESIST TOL</b><br>A - $\pm 10\%$<br>B - $\pm 20\%$<br>D - $\pm 5\%$ | <b>TAPER</b><br>1 - LINEAR<br>2 - 20%AUD<br>3 - 20%CCW AUD | <b>SPECIALS</b><br>1 - LOCATING LUG LEFT SIDE<br>2 - LOCATING LUG RIGHT SIDE<br>3 - NO LOCATING LUG LOCATING<br>5 - LOCATING LUG BOTH SIDE |
| CODE  | RESISTANCE  |   |   |                |            |          |          |                 |          |               |                 |     |                                |                 |     |               |                    |      |               |  |  |  |
| 5A0   | 5 OHMS  |   |   |                |            |          |          |                 |          |               |                 |     |                                |                 |     |               |                    |      |               |  |  |  |
| 501   | 500 OHMS  |   |   |                |            |          |          |                 |          |               |                 |     |                                |                 |     |               |                    |      |               |  |  |  |
| 102   | 1K  |   |   |                |            |          |          |                 |          |               |                 |     |                                |                 |     |               |                    |      |               |  |  |  |
| 252   | 2.5K  |   |   |                |            |          |          |                 |          |               |                 |     |                                |                 |     |               |                    |      |               |  |  |  |
| 502   | 5K  |   |   |                |            |          |          |                 |          |               |                 |     |                                |                 |     |               |                    |      |               |  |  |  |
| 103   | 10K   |   |   |                |            |          |          |                 |          |               |                 |     |                                |                 |     |               |                    |      |               |  |  |  |
| 253   | 25K   |   |   |                |            |          |          |                 |          |               |                 |     |                                |                 |     |               |                    |      |               |  |  |  |
| <b>METAL SHAFT LENGTH "L"</b><br><b>FROM MOUNTING SURFACE 1/32" INCREMENTS</b><br><b>EXAMPLES:</b><br>20 - .625"(6.35mm)<br>24 - .750"(19.5mm)<br>28 - .875"(22.2mm)<br>32 - 1.000"(25.4mm) | <b>SWITCHES</b><br><table border="1"> <thead> <tr> <th>FUNCTION</th> <th>CTS TYPE</th> <th>CURRENT RATING</th> </tr> </thead> <tbody> <tr> <td>A - NONE</td> <td></td> <td></td> </tr> <tr> <td>B - SPST ROTARY</td> <td>TGC</td> <td>6AMP @ 125VAC</td> </tr> <tr> <td>C - DPST ROTARY</td> <td>027</td> <td>3AMP @ 125VAC<br/>1AMP @ 250VAC</td> </tr> <tr> <td>D - SPDT ROTARY</td> <td>028</td> <td>3AMP @ 125VAC</td> </tr> <tr> <td>E - SPST PULL-PUSH</td> <td>FR-K</td> <td>3AMP @ 125VAC</td> </tr> <tr> <td>F - SPST ROTARY</td> <td>FR-GC</td> <td>3AMP @ 125VAC<br/>1AMP @ 250VAC/DC</td> </tr> </tbody> </table> | FUNCTION  | CTS TYPE  | CURRENT RATING | A - NONE   |          |          | B - SPST ROTARY | TGC      | 6AMP @ 125VAC | C - DPST ROTARY | 027 | 3AMP @ 125VAC<br>1AMP @ 250VAC | D - SPDT ROTARY | 028 | 3AMP @ 125VAC | E - SPST PULL-PUSH | FR-K | 3AMP @ 125VAC | F - SPST ROTARY  | FR-GC  | 3AMP @ 125VAC<br>1AMP @ 250VAC/DC  |
| FUNCTION  | CTS TYPE  | CURRENT RATING  |   |                |            |          |          |                 |          |               |                 |     |                                |                 |     |               |                    |      |               |  |  |  |
| A - NONE  |   |   |   |                |            |          |          |                 |          |               |                 |     |                                |                 |     |               |                    |      |               |  |  |  |
| B - SPST ROTARY   | TGC   | 6AMP @ 125VAC   |   |                |            |          |          |                 |          |               |                 |     |                                |                 |     |               |                    |      |               |  |  |  |
| C - DPST ROTARY   | 027   | 3AMP @ 125VAC<br>1AMP @ 250VAC  |   |                |            |          |          |                 |          |               |                 |     |                                |                 |     |               |                    |      |               |  |  |  |
| D - SPDT ROTARY   | 028   | 3AMP @ 125VAC   |   |                |            |          |          |                 |          |               |                 |     |                                |                 |     |               |                    |      |               |  |  |  |
| E - SPST PULL-PUSH  | FR-K  | 3AMP @ 125VAC   |   |                |            |          |          |                 |          |               |                 |     |                                |                 |     |               |                    |      |               |  |  |  |
| F - SPST ROTARY   | FR-GC   | 3AMP @ 125VAC<br>1AMP @ 250VAC/DC   |   |                |            |          |          |                 |          |               |                 |     |                                |                 |     |               |                    |      |               |  |  |  |

\* Refer to series 450 data sheet for power switch detail

## Данный компонент на территории Российской Федерации

### Вы можете приобрести в компании MosChip.

Для оперативного оформления запроса Вам необходимо перейти по данной ссылке:

<http://moschip.ru/get-element>

Вы можете разместить у нас заказ для любого Вашего проекта, будь то серийное производство или разработка единичного прибора.

В нашем ассортименте представлены ведущие мировые производители активных и пассивных электронных компонентов.

Нашей специализацией является поставка электронной компонентной базы двойного назначения, продукции таких производителей как XILINX, Intel (ex.ALTERA), Vicor, Microchip, Texas Instruments, Analog Devices, Mini-Circuits, Amphenol, Glenair.

Сотрудничество с глобальными дистрибьюторами электронных компонентов, предоставляет возможность заказывать и получать с международных складов практически любой перечень компонентов в оптимальные для Вас сроки.

На всех этапах разработки и производства наши партнеры могут получить квалифицированную поддержку опытных инженеров.

Система менеджмента качества компании отвечает требованиям в соответствии с ГОСТ Р ИСО 9001, ГОСТ РВ 0015-002 и ЭС РД 009

### Офис по работе с юридическими лицами:

105318, г.Москва, ул.Щербаковская д.3, офис 1107, 1118, ДЦ «Щербаковский»

Телефон: +7 495 668-12-70 (многоканальный)

Факс: +7 495 668-12-70 (доб.304)

E-mail: [info@moschip.ru](mailto:info@moschip.ru)

Skype отдела продаж:

moschip.ru

moschip.ru\_4

moschip.ru\_6

moschip.ru\_9