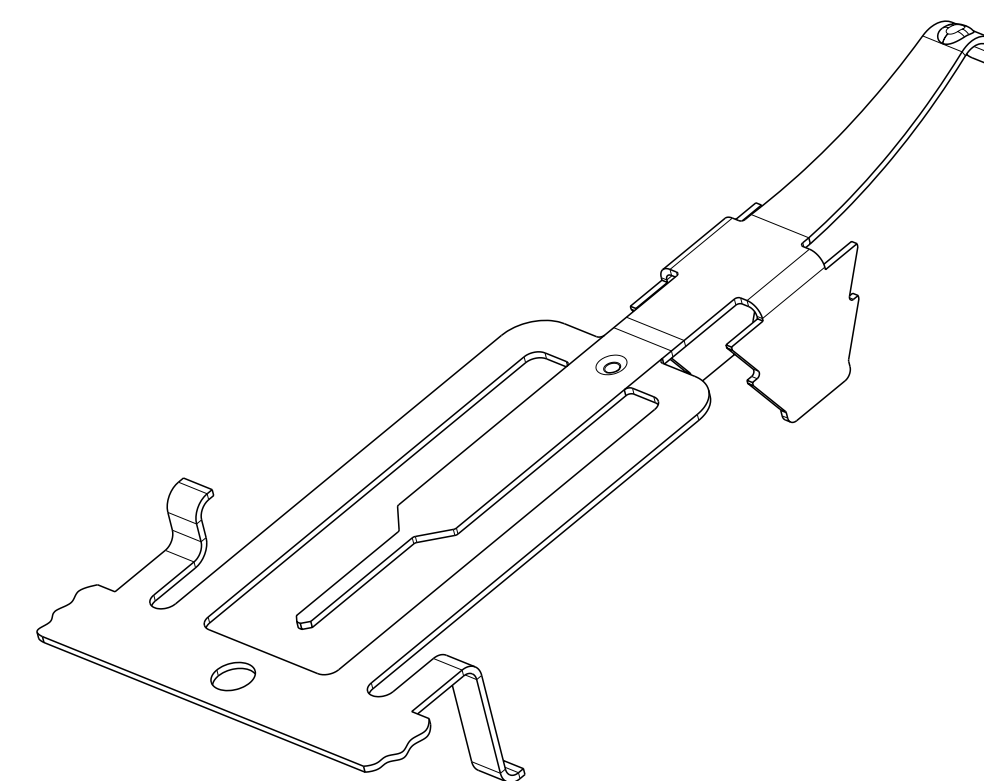
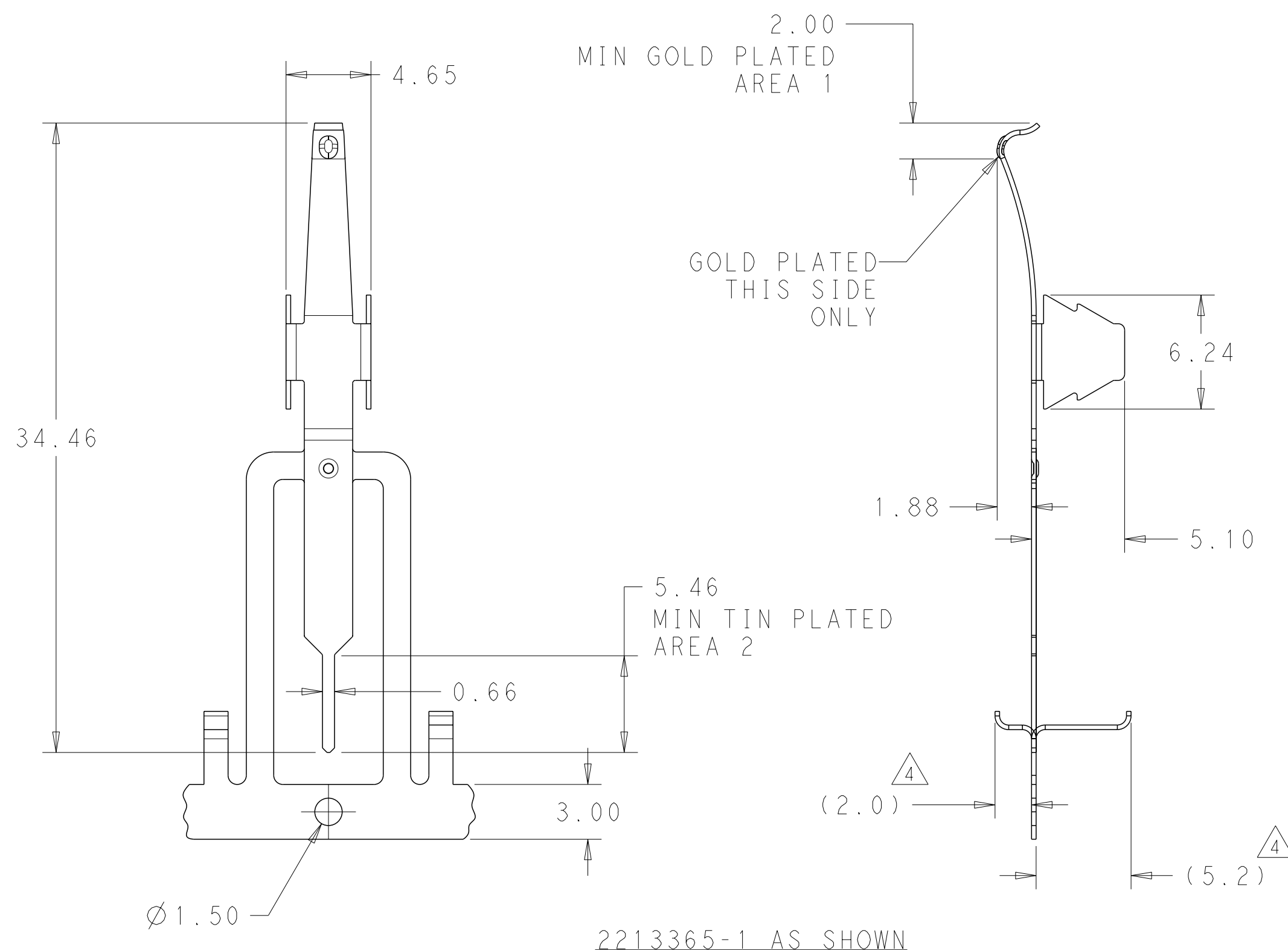


THIS DRAWING IS UNPUBLISHED. RELEASED FOR PUBLICATION 20  
 © COPYRIGHT 20 BY - ALL RIGHTS RESERVED.

LOC		DIST		REVISIONS			
P	LTR	DESCRIPTION	DATE	DWN	APVD		
A		REVISED PER ECR-14-012230	12SEP2014	RS	DD		
A1		REVISED PER ECR-17-018430	28DEC2017	GCM	DD		

NOTES:

- MATERIAL: COPPER ALLOY 0.254 THICK  
 FINISH: NICKEL UNDERPLATE ENTIRE CONTACT 0.127 μm MIN THICK. GOLD PLATED IN AREA 1 ON ONE SIDE ONLY 0.76 μm MIN THICK. MATTE TIN PLATED IN AREA 2 3.0 μm MIN THICK
- FINAL FORMING AND LOOSE PIECE OPERATIONS AS SHOWN ON SHEET 2 MUST BE PERFORMED BY CUSTOMER.
- APPLICATION FEED IS 14.64.
- CARRIER STRIP STANDOFFS PROVIDE PRODUCT PROTECTION DURING SHIPPING.



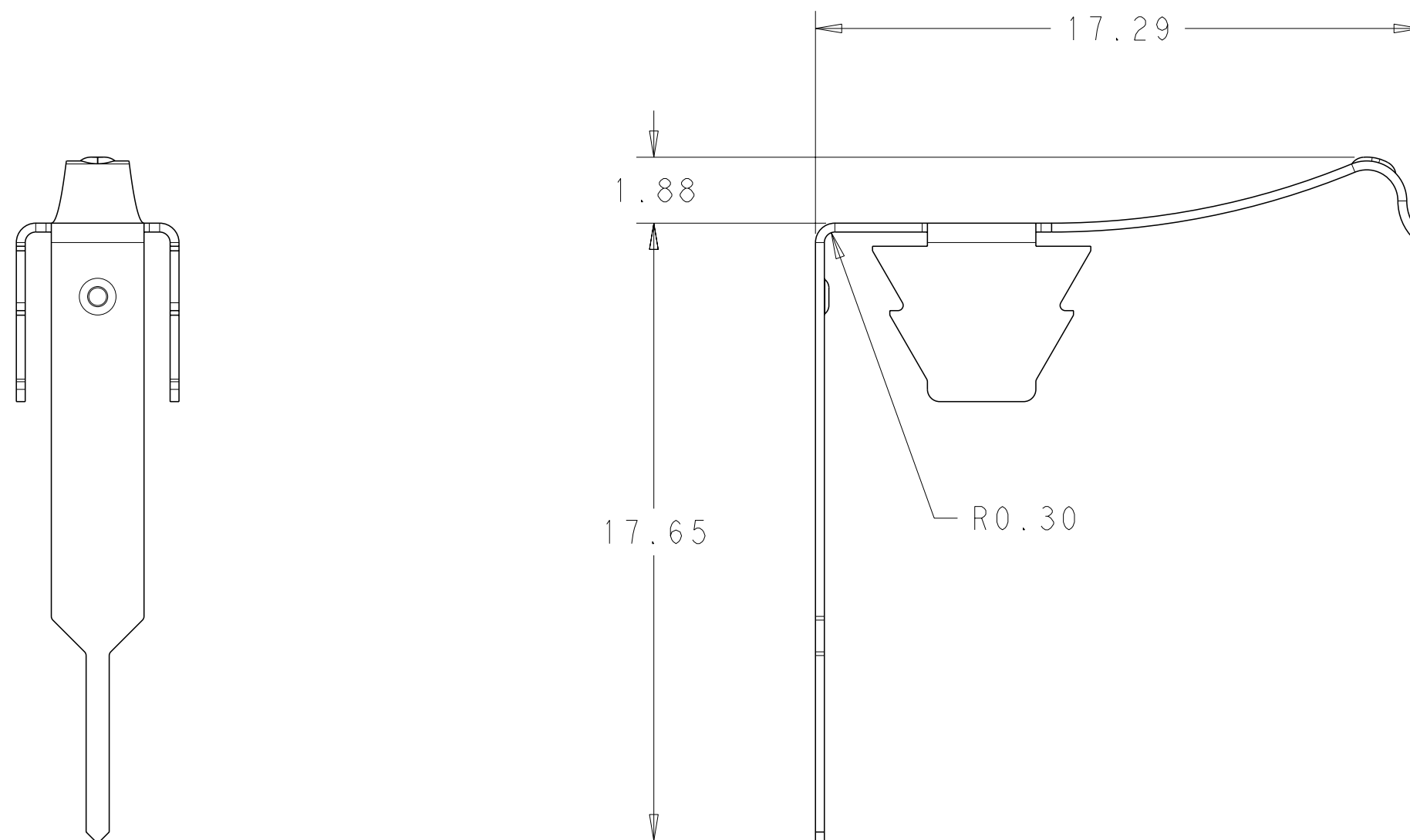
SCALE 4:1

AS SHOWN - ON STRIP	2213365-1
DESCRIPTION	PART NO.

THIS DRAWING IS A CONTROLLED DOCUMENT.		DWN	J. SHAFFER	26 JUN 2013	TE Connectivity	
DIMENSIONS: mm		CHK	E. HOWARD	26 JUN 2013	NAME	
TOLERANCES UNLESS OTHERWISE SPECIFIED:		APVD	E. HOWARD	26 JUN 2013	DIMMABLE PHOTOCONTROL BRUSH CONTACT	
0 PLC	±	PRODUCT SPEC				
1 PLC	±	APPLICATION SPEC				
2 PLC	±0.13					
3 PLC	±					
4 PLC	±					
ANGLES	±					
FINISH						
MATERIAL		WEIGHT	A200779 C-2213365			
		Customer Drawing	SCALE 1:1	SHEET 1 OF 4	REV A1	RESTRICTED TO

THIS DRAWING IS UNPUBLISHED. RELEASED FOR PUBLICATION 20  
 © COPYRIGHT 20 BY - ALL RIGHTS RESERVED.

LOC		DIST		REVISIONS			
P	LTR	DESCRIPTION	DATE	DWN	APVD		
-	-	SEE SHEET 1	-	-	-		

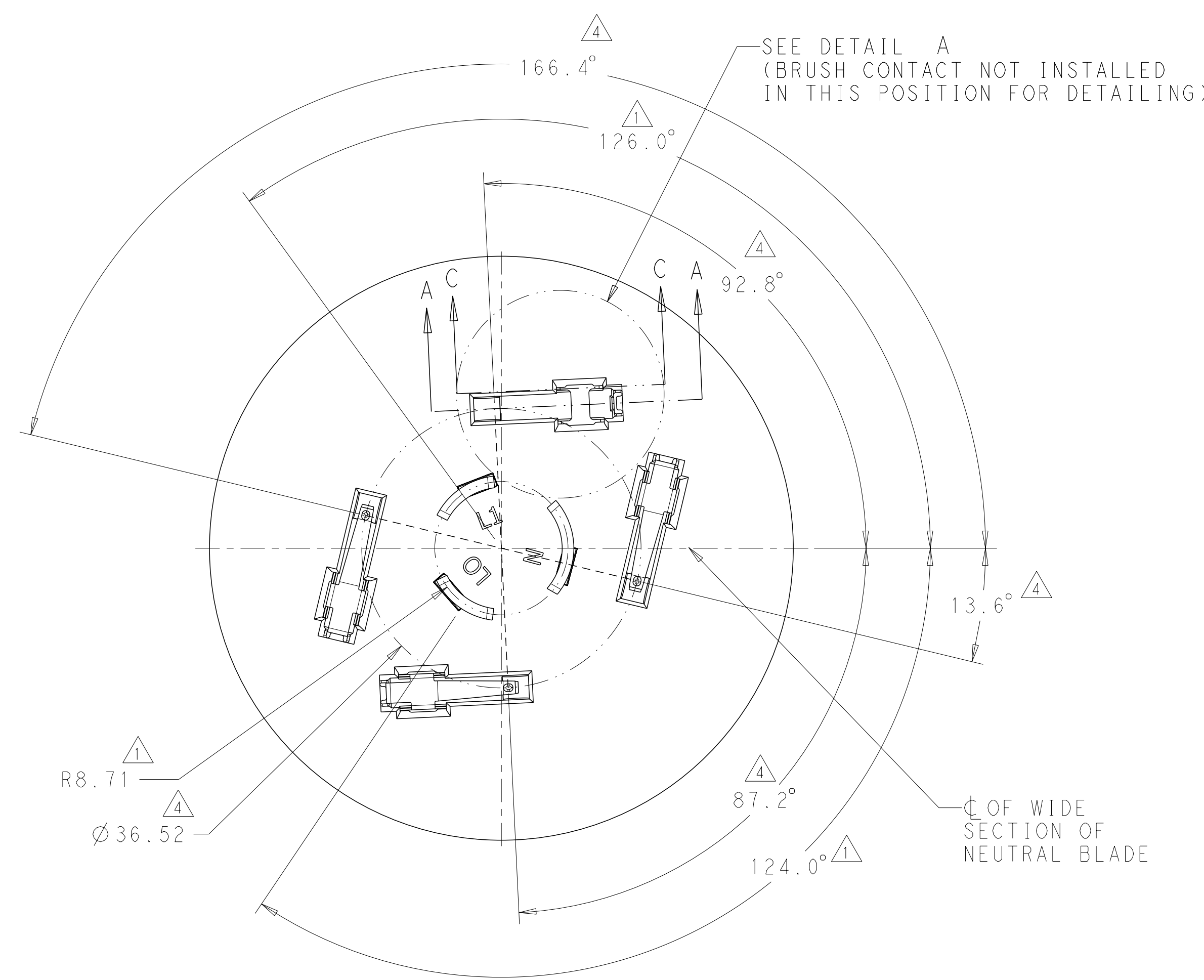


△  
 RECOMMENDED FINAL FORMED  
 LOOSE PIECE  
 FINAL FORM AND LOOSE PIECE  
 OPERATION MUST BE  
 PERFORMED BY CUSTOMER

THIS DRAWING IS A CONTROLLED DOCUMENT.		DWN J. SHAFFER 26 JUN 2013	<b>STE</b> TE Connectivity															
DIMENSIONS: mm		CHK E. HOWARD 26 JUN 2013																
TOLERANCES UNLESS OTHERWISE SPECIFIED:		APVD E. HOWARD 26 JUN 2013	NAME DIMMABLE PHOTOCONTROL BRUSH CONTACT															
<table border="1"> <tr><td>0 PLC</td><td>±</td></tr> <tr><td>1 PLC</td><td>±</td></tr> <tr><td>2 PLC</td><td>±0.13</td></tr> <tr><td>3 PLC</td><td>±</td></tr> <tr><td>4 PLC</td><td>±</td></tr> <tr><td>ANGLES</td><td>±</td></tr> <tr><td>FINISH</td><td>±</td></tr> </table>		0 PLC	±	1 PLC	±	2 PLC	±0.13	3 PLC	±	4 PLC	±	ANGLES	±	FINISH	±	PRODUCT SPEC -	SIZE A200779	CAGE CODE C-2213365
0 PLC	±																	
1 PLC	±																	
2 PLC	±0.13																	
3 PLC	±																	
4 PLC	±																	
ANGLES	±																	
FINISH	±																	
MATERIAL -	FINISH -	APPLICATION SPEC -	DRAWING NO C-2213365	RESTRICTED TO -														
Customer Drawing		WEIGHT -	SCALE 1:1	SHEET 2 OF 4														
			REV A1															

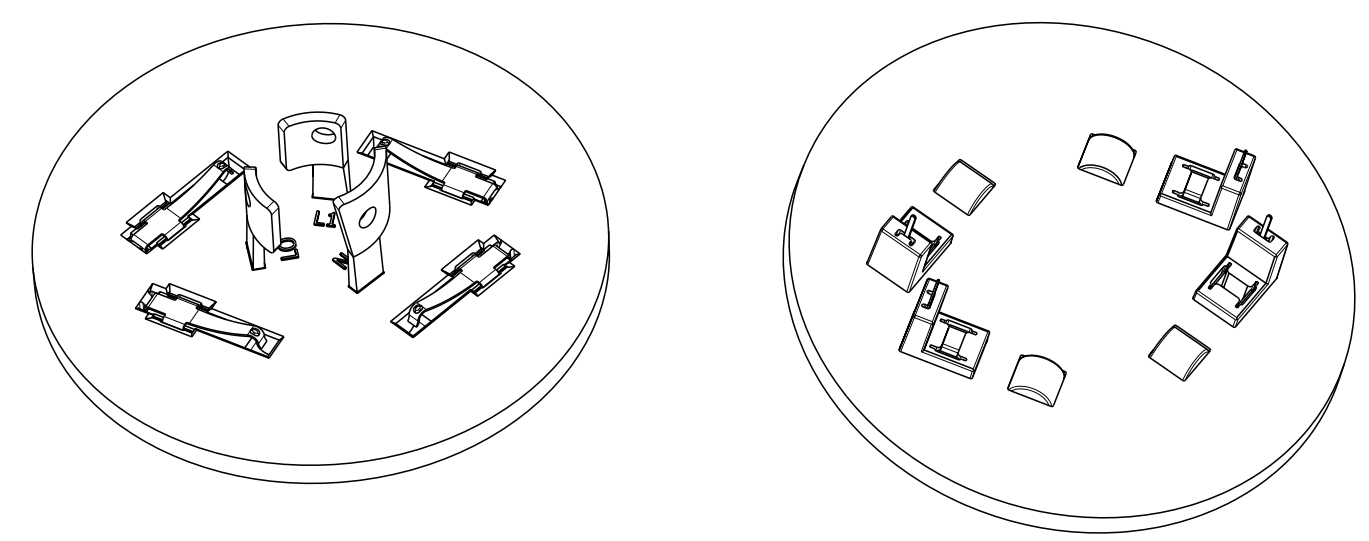
THIS DRAWING IS UNPUBLISHED. RELEASED FOR PUBLICATION 20  
 © COPYRIGHT 20 BY - ALL RIGHTS RESERVED.

LOC		DIST		REVISIONS			
P	LTR	DESCRIPTION	DATE	DWN	APVD		
-	-	SEE SHEET 1	-	-	-		

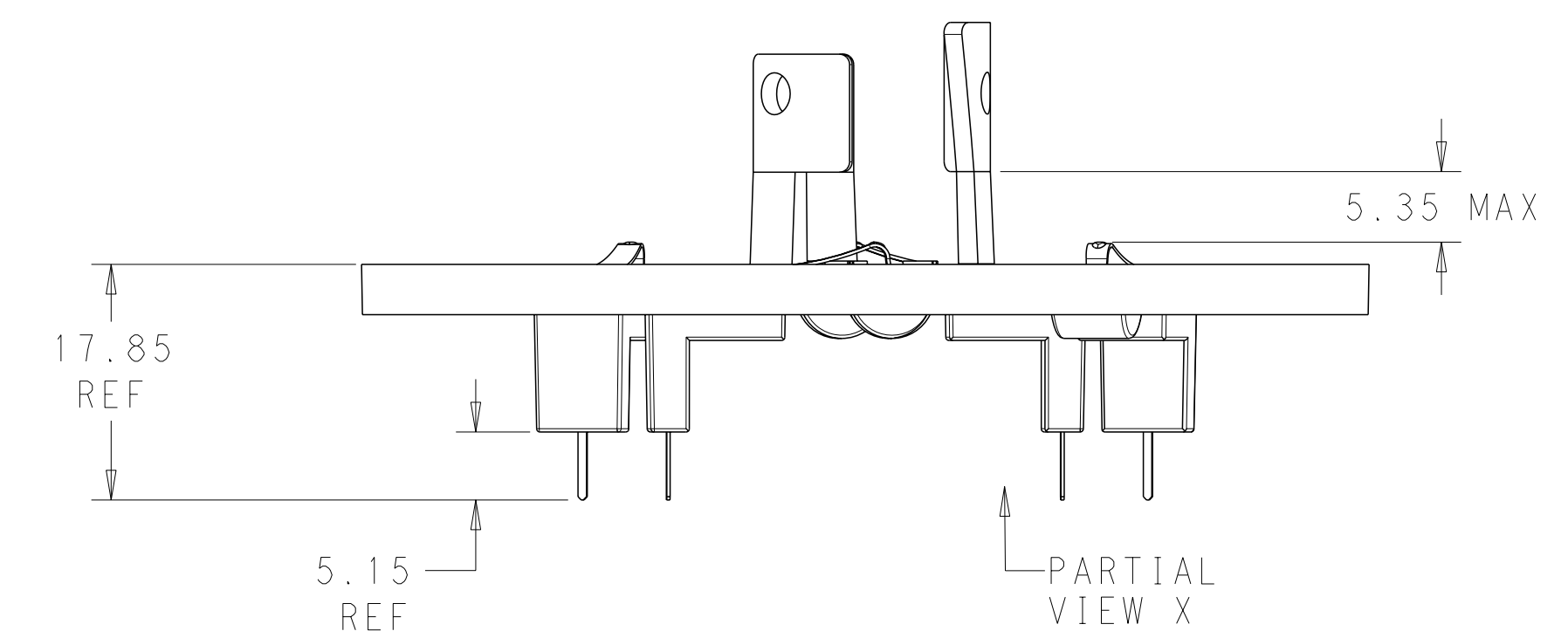


NOTES FOR BRUSH CONTACT POCKET DETAILS:

- 1. DIMENSIONS ARE PER ANSI C136.10
- 2. UNLESS OTHERWISE NOTED, ALL DIMENSIONS ARE ±0.127mm
- 3. UNLESS OTHERWISE NOTED, ALL ANGLES ARE ±0.5°
- 4. CIRCULAR AND ANGULAR POSITION FOR CONTACT POINT ON BRUSH CONTACT.
- 5. CUSTOMER MAY ROTATE BRUSH CONTACT POCKET PER THEIR PHOTOCELL DESIGN REQUIREMENTS, BUT BRUSH CONTACT POINT MUST BE POSITIONED AS SHOWN TO BE COMPATIBLE WITH ANSI C136.41-200X DIMMING RECEPTACLE.



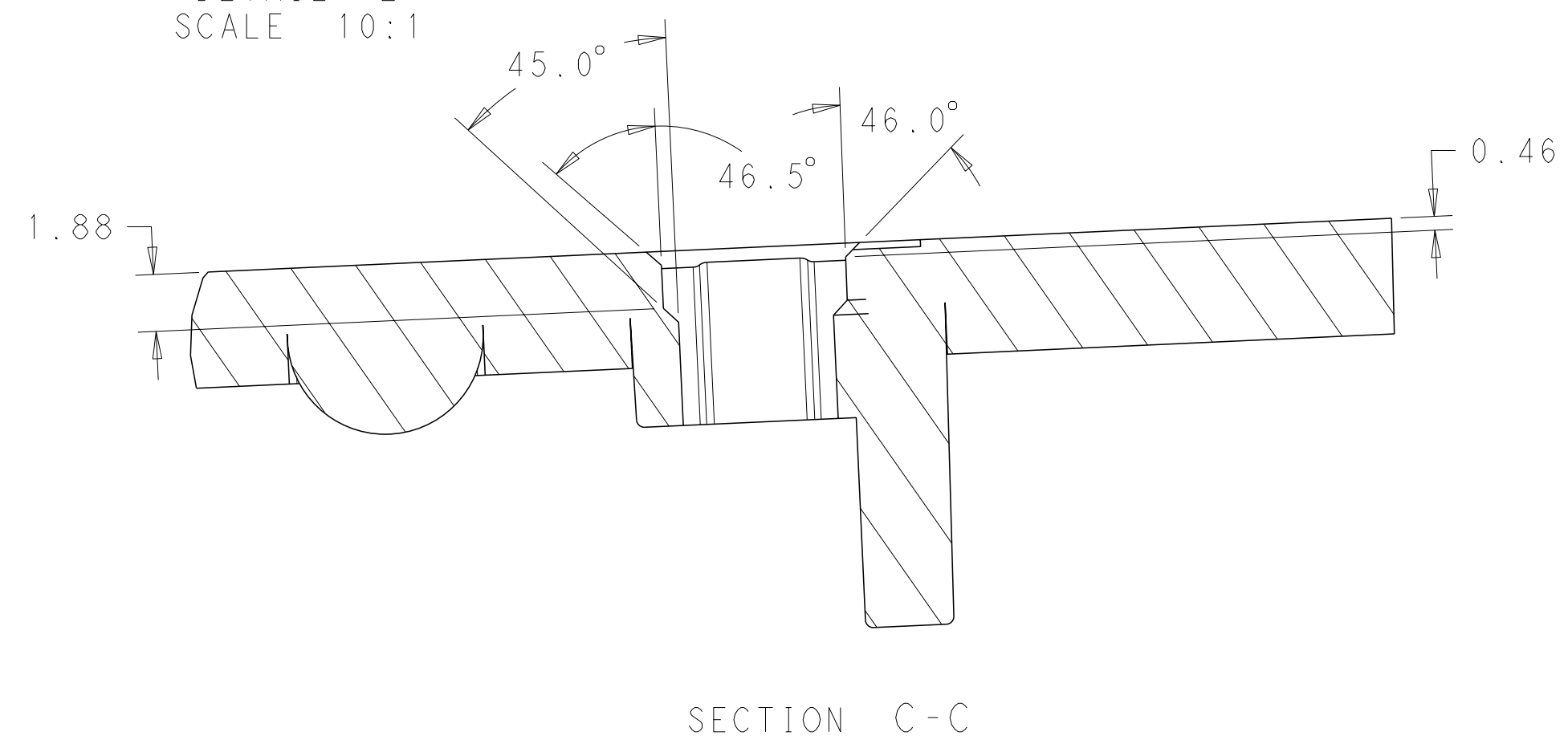
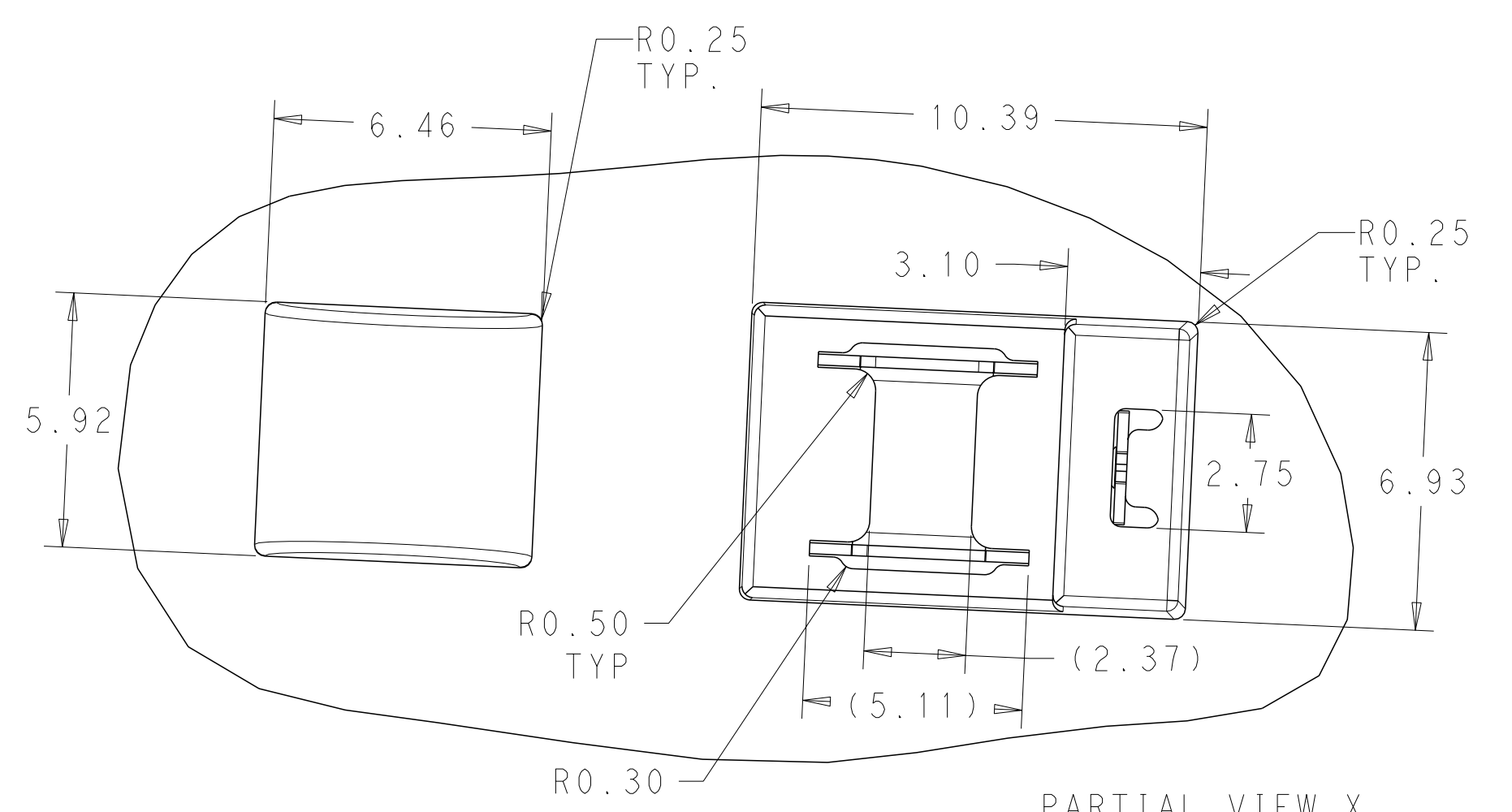
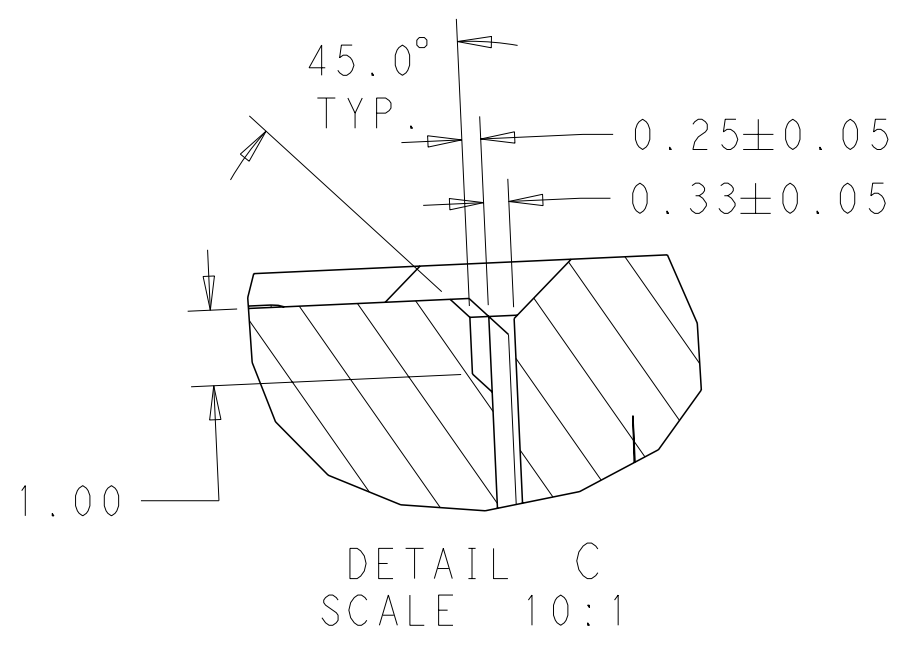
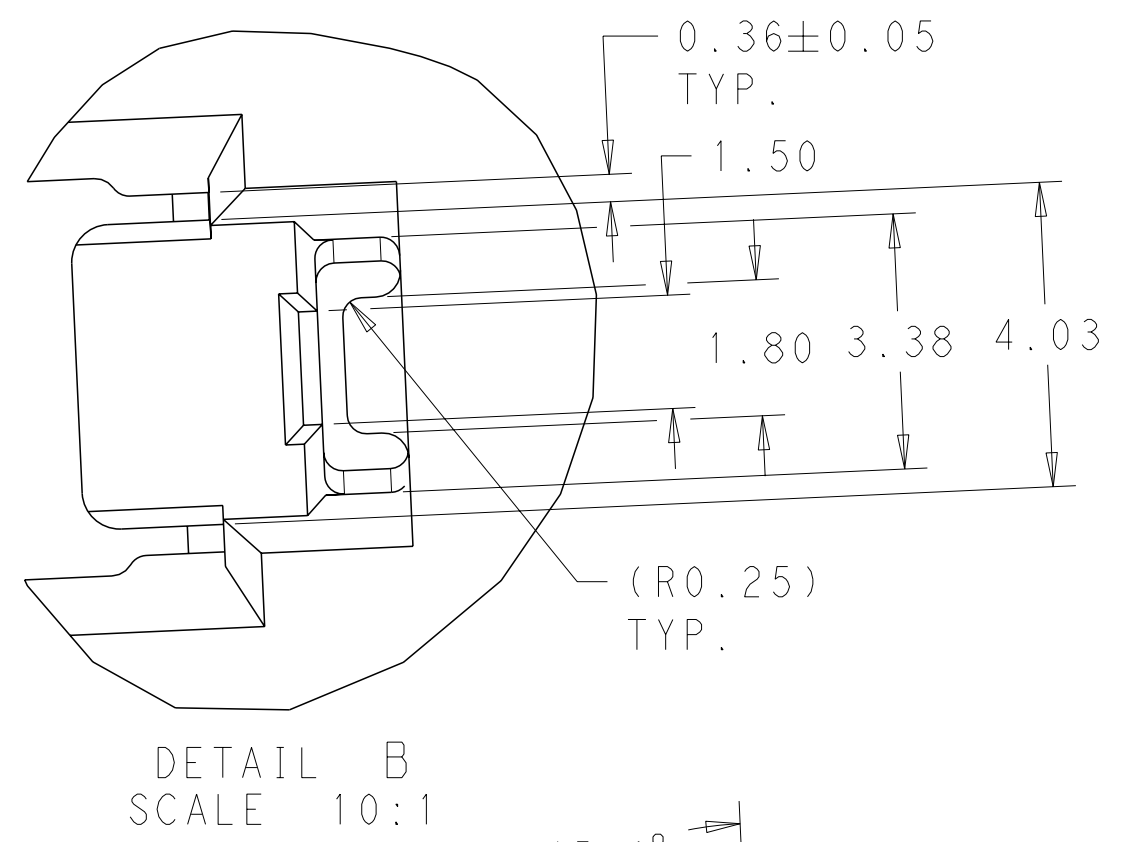
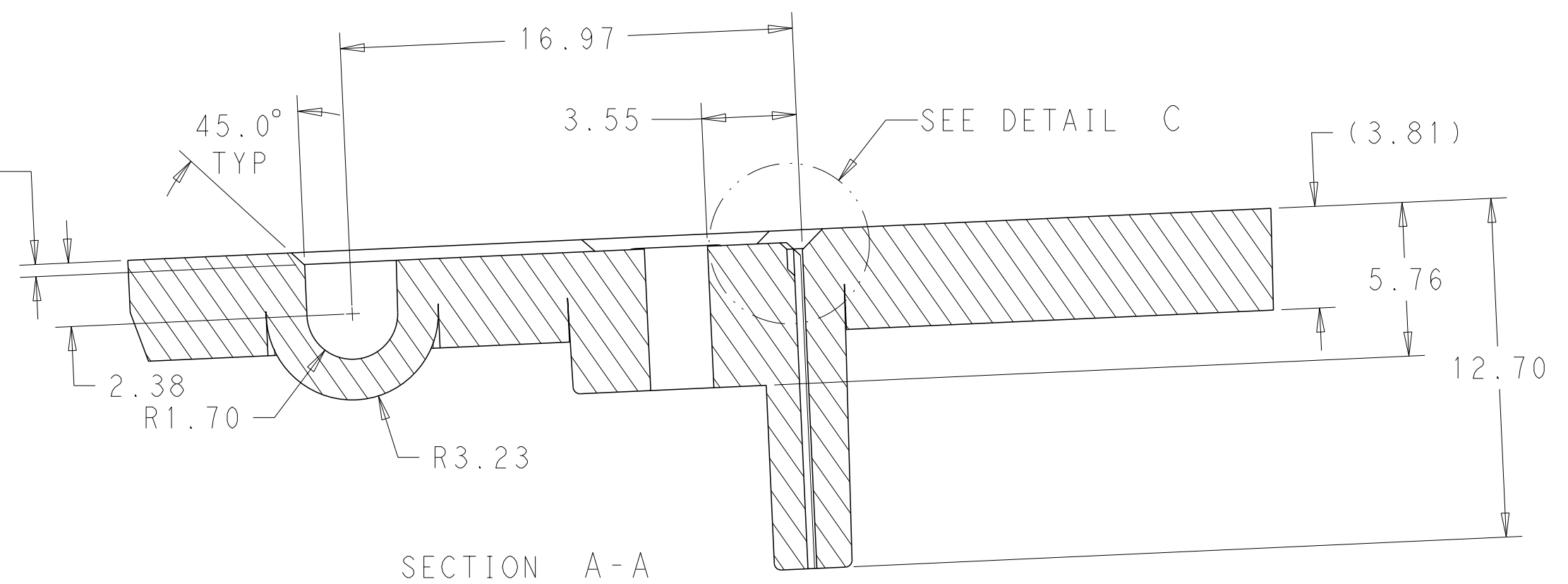
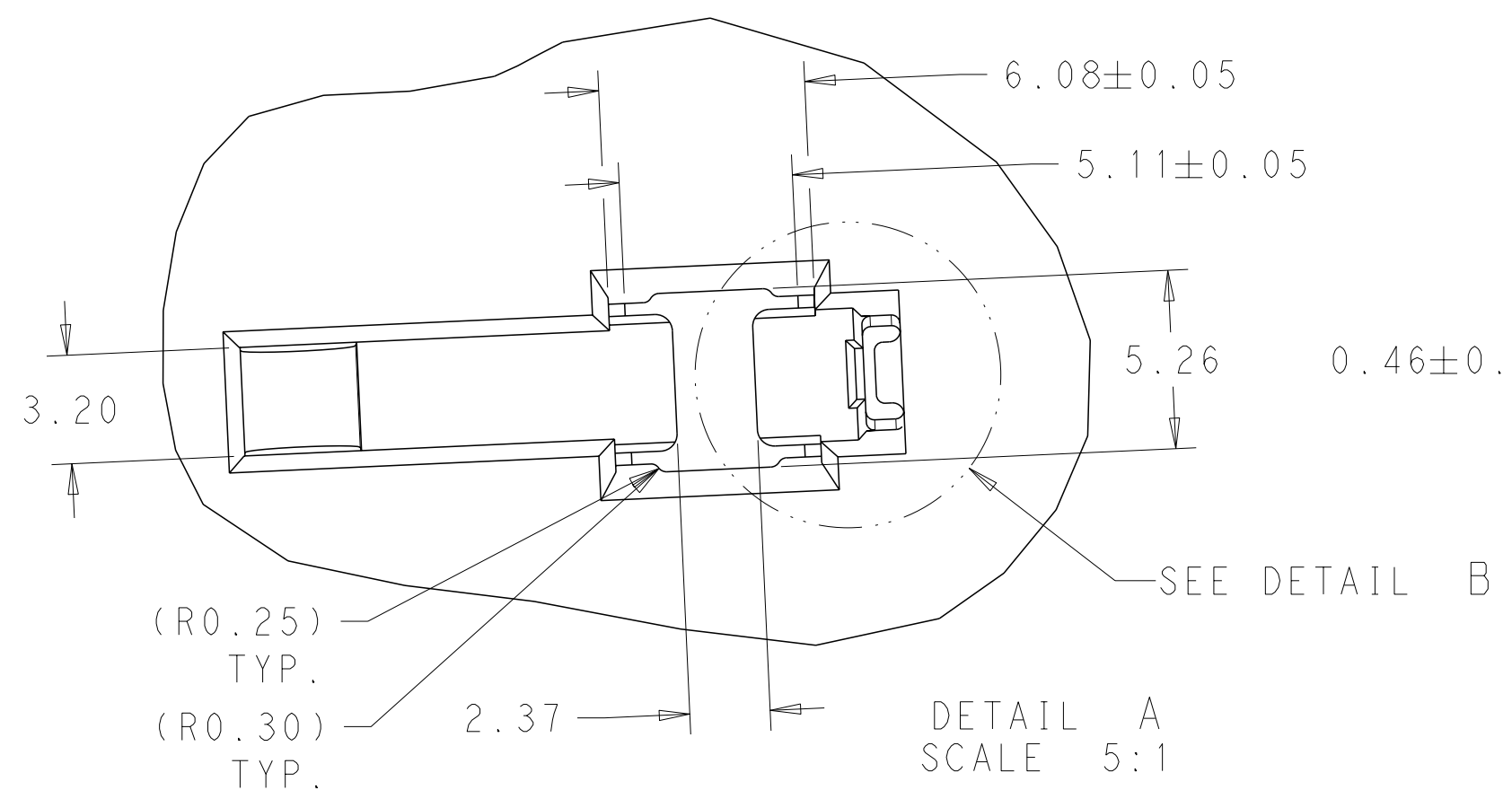
PHOTOCELL BRUSH CONTACT LOCATIONS AS SHOWN



THIS DRAWING IS A CONTROLLED DOCUMENT.		DWN J. SHAFFER 26 JUN 2013	TE Connectivity	
DIMENSIONS: mm		CHK E. HOWARD 26 JUN 2013		
TOLERANCES UNLESS OTHERWISE SPECIFIED:		APVD E. HOWARD 26 JUN 2013	NAME DIMMABLE PHOTOCONTROL BRUSH CONTACT	
0 PLC ± 1 PLC ± 2 PLC ±0.13 3 PLC ± 4 PLC ± ANGLES ± FINISH		PRODUCT SPEC -	SIZE A200779	CAGE CODE C-2213365
MATERIAL -		APPLICATION SPEC -	DRAWING NO -	RESTRICTED TO -
-		WEIGHT -	SCALE 1:1 SHEET 3 OF 4 REV A1	
-		Customer Drawing		

THIS DRAWING IS UNPUBLISHED. RELEASED FOR PUBLICATION 20  
 © COPYRIGHT 20 BY - ALL RIGHTS RESERVED.

LOC		DIST		REVISIONS			
P	LTR	DESCRIPTION	DATE	DWN	APVD		
-	-	SEE SHEET 1	-	-	-		



SUGGESTED BRUSH CONTACT POCKET  
 DETAIL AS SHOWN

PARTIAL VIEW X  
 SCALE 7:1

SECTION C-C

THIS DRAWING IS A CONTROLLED DOCUMENT.		DWN J. SHAFFER 26 JUN 2013	TE Connectivity	
DIMENSIONS: mm		CHK E. HOWARD 26 JUN 2013		
TOLERANCES UNLESS OTHERWISE SPECIFIED:		APVD E. HOWARD 26 JUN 2013	NAME DIMMABLE PHOTOCONTROL BRUSH CONTACT	
0 PLC ± 1 PLC ± 2 PLC ±0.13 3 PLC ± 4 PLC ± ANGLES ± FINISH		PRODUCT SPEC -	SIZE A200779	CAGE CODE C-2213365
MATERIAL -		APPLICATION SPEC -	DRAWING NO -	RESTRICTED TO -
		WEIGHT -	SCALE 1:1	SHEET 4 OF 4
		Customer Drawing	REV A1	

## Данный компонент на территории Российской Федерации

### Вы можете приобрести в компании MosChip.

Для оперативного оформления запроса Вам необходимо перейти по данной ссылке:

<http://moschip.ru/get-element>

Вы можете разместить у нас заказ для любого Вашего проекта, будь то серийное производство или разработка единичного прибора.

В нашем ассортименте представлены ведущие мировые производители активных и пассивных электронных компонентов.

Нашей специализацией является поставка электронной компонентной базы двойного назначения, продукции таких производителей как XILINX, Intel (ex.ALTERA), Vicor, Microchip, Texas Instruments, Analog Devices, Mini-Circuits, Amphenol, Glenair.

Сотрудничество с глобальными дистрибьюторами электронных компонентов, предоставляет возможность заказывать и получать с международных складов практически любой перечень компонентов в оптимальные для Вас сроки.

На всех этапах разработки и производства наши партнеры могут получить квалифицированную поддержку опытных инженеров.

Система менеджмента качества компании отвечает требованиям в соответствии с ГОСТ Р ИСО 9001, ГОСТ РВ 0015-002 и ЭС РД 009

### Офис по работе с юридическими лицами:

105318, г.Москва, ул.Щербаковская д.3, офис 1107, 1118, ДЦ «Щербаковский»

Телефон: +7 495 668-12-70 (многоканальный)

Факс: +7 495 668-12-70 (доб.304)

E-mail: [info@moschip.ru](mailto:info@moschip.ru)

Skype отдела продаж:

moschip.ru

moschip.ru\_4

moschip.ru\_6

moschip.ru\_9