

ISL76322

16-Bit Long-Reach Video Automotive Grade SERDES

FN7611  
Rev 3.00  
May 6, 2015

The [ISL76322](#) is a serializer/deserializer of LVCMOS parallel video data. The video data presented to the serializer on the parallel LVCMOS bus is serialized into a high-speed differential signal. This differential signal is converted back to parallel video at the remote end by the deserializer. The fully featured register set is programmed through the industry standard I<sup>2</sup>C.

**Related Literature**

- See [FN6827](#), ISL34341 Data Sheet “WSVGA 24-Bit Long-Reach Video SERDES with Bi-directional Side-Channel”

**Features**

- 16-bit RGB Transport Over a Single Differential Pair
- 6MHz to 50MHz Pixel Clock Rates
- AEC-Q100 Qualified Component
- Hot-plugging with Automatic Resynchronization Every HSYNC
- Selectable Clock Edge for Parallel Data Output
- DC-balanced with Industry Standard 8b/10b Line Code Allows AC-coupling, Providing Immunity Against Ground Shifts
- 16 Programmable Settings Each for Transmitter Amplitude Boost and Pre-emphasis and Receiver Equalization, Allow for Longer Cable Lengths and Higher Data Rates
- Slew Rate Control and Spread Spectrum Capability on Outputs Reduce the Potential for EMI
- Same Device for Serializer and Deserializer Simplifies Inventory

**Applications**

- Video Entertainment Systems
- Remote Cameras

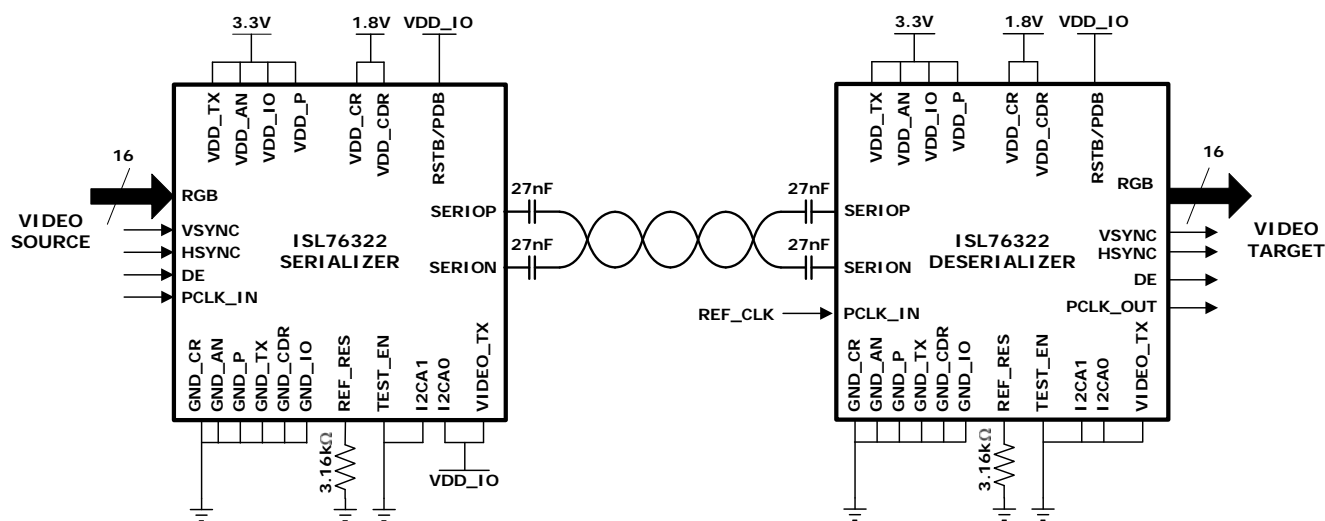
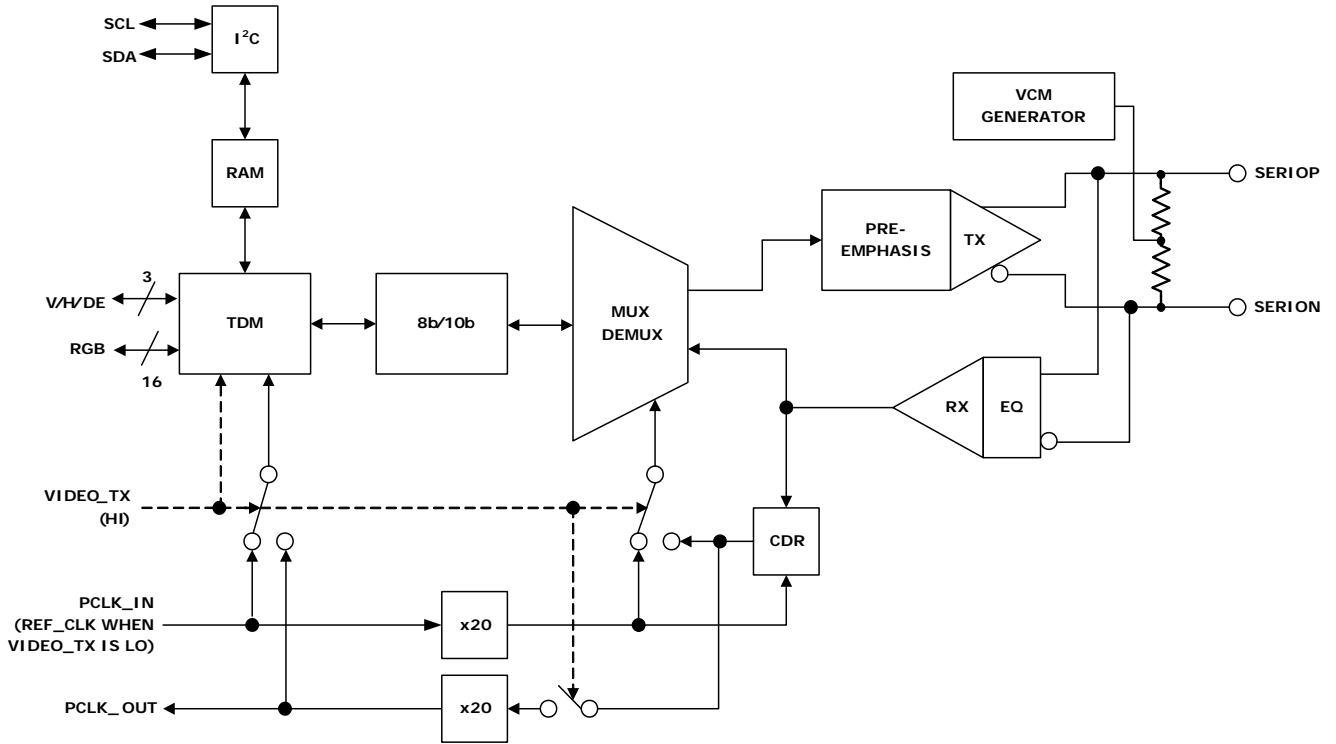


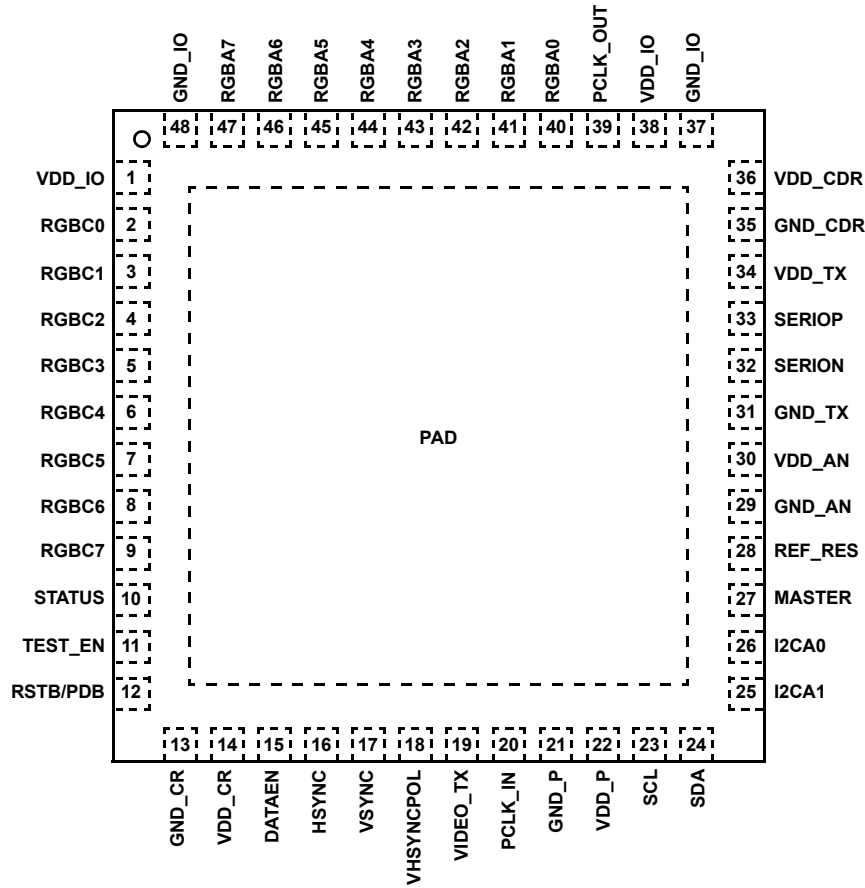
FIGURE 1. TYPICAL APPLICATION

# Block Diagram



# Pin Configuration

ISL76322  
(48 LD QFN)  
TOP VIEW



# Pin Descriptions

PIN NUMBER	PIN NAME	DESCRIPTION	
		SERIALIZER	DESERIALIZER
47, 46 45, 44 43, 42 41, 40 9, 8 7, 6 5, 4 3, 2	RGBA7, RGBA6 RGBA5, RGBA4 RGBA3, RGBA2 RGBA1, RGBA0 RGBC7, RGBC6 RGBC5, RGBC4 RGBC3, RGBC2 RGBC1, RGBC0	Parallel video data LVCMOS inputs with Hysteresis	Parallel video data LVCMOS outputs
16	HSYNC	Horizontal (line) Sync LVCMOS input with Hysteresis	Horizontal (line) Sync LVCMOS output
17	VSYNC	Vertical (frame) Sync LVCMOS input with Hysteresis	Vertical (frame) Sync LVCMOS output
15	DATAEN	Video Data Enable LVCMOS input with Hysteresis	Video Data Enable LVCMOS output
20	PCLK_IN	Pixel clock LVCMOS input	PLL reference clock LVCMOS input
39	PCLK_OUT	Default; not used	Recovered clock LVCMOS output
33, 32	SERIOP, SERION	High-speed differential serial I/O	High speed differential serial I/O

## Pin Descriptions (Continued)

PIN NUMBER	PIN NAME	DESCRIPTION	
		SERIALIZER	DESERIALIZER
18	VHSYNCPOL	CMOS input for HSYNC and VSYNC Polarity 1: HSYNC & VSYNC active low 0: HSYNC & VSYNC active high	
19	VIDEO_TX	CMOS input for video flow direction 1: Video serializer 0: Video deserializer	
24, 23	SDA, SCL <a href="#">(Note 1)</a>	I <sup>2</sup> C Interface Pins (I <sup>2</sup> C DATA, I <sup>2</sup> C CLK), weak internal pullup	
25, 26	I2CA[1:0] <a href="#">(Note 1)</a>	I <sup>2</sup> C Device Address	
27	MASTER	I <sup>2</sup> C Master Mode 1: Master 0: Slave	
12	RSTB/PDB	CMOS input for Reset and Power-down. For normal operation, this pin should be driven high. When this pin is taken low, the device will be reset. If this pin stays low, the device will be in PD mode.	
10	STATUS	CMOS output for Receiver Status: 1: Valid 8b/10b data received 0: No valid data detected Note: serializer and deserializer switch roles during side-channel reverse traffic	
28	REF_RES	Analog bias setting resistor connection; use 3.16kΩ ±1% to ground	
21	GND_P <a href="#">(Note 2)</a>	PLL Ground	
37, 48	GND_IO <a href="#">(Note 2)</a>	Digital (Parallel and Control) Ground	
35	GND_CDR <a href="#">(Note 2)</a>	Analog (Serial) Data Recovery Ground	
31	GND_TX <a href="#">(Note 2)</a>	Analog (Serial) Output Ground	
29	GND_AN <a href="#">(Note 2)</a>	Analog Bias Ground	
13	GND_CR <a href="#">(Note 2)</a>	Core Logic Ground	
14	VDD_CR	Core Logic VDD	
34	VDD_TX	Analog (Serial) Output VDD	
30	VDD_AN	Analog Bias VDD	
36	VDD_CDR	Analog (Serial) Data Recovery VDD	
1, 38	VDD_IO <a href="#">(Note 1)</a>	Digital (Parallel and Control) VDD	
22	VDD_P	PLL VDD	
11	TEST_EN	Must be connected to ground	
Exposed Pad	PAD	Must be connected to ground, not an electrical connection	

### NOTES:

1. Pins with the same name are internally connected together. However, this connection must NOT be used for connecting together external components or features.
2. The various differently-named Ground pins are internally weakly connected. They must be tied together externally. The different names are provided to assist in minimizing the current loops involved in bypassing the associated supply VDD pins. In particular, for ESD testing, they should be considered a common connection.

---

## Ordering Information

PART NUMBER (Notes 3, 4, 5)	PART MARKING	TEMP. RANGE (°C)	PACKAGE (RoHS Compliant)	PKG. DWG. #
ISL76322ARZ	ISL76322 ARZ	-40 to +105	48 Ld QFN	L48.7x7C

**NOTES:**

3. Add "-T\*" suffix for tape and reel. Please refer to [TB347](#) for details on reel specifications.
4. These Intersil Pb-free plastic packaged products employ special Pb-free material sets, molding compounds/die attach materials, and 100% matte tin plate plus anneal (e3 termination finish, which is RoHS compliant and compatible with both SnPb and Pb-free soldering operations). Intersil Pb-free products are MSL classified at Pb-free peak reflow temperatures that meet or exceed the Pb-free requirements of IPC/JEDEC J STD-020.
5. For Moisture Sensitivity Level (MSL), please see device information page for [ISL76322](#). For more information on MSL please see techbrief [TB363](#).

## Absolute Maximum Ratings

Supply Voltage	
VDD_P to GND_P, VDD_TX to GND_TX, VDD_IO to GND_IO	-0.5V to 4.6V
VDD_CDR to GND_CDR, VDD_CR to GND_CR	-0.5V to 2.5V
Between any pair of GND_P, GND_TX, GND_IO, GND_CDR, GND_CR	-0.1V to 0.1V
3.3V Tolerant LV TTL/LVCMOS	
Input Voltage	-0.3V to VDD_IO + 0.3V
Differential Input Voltage	-0.3V to VDD_IO + 0.3V
Differential Output Current	Short Circuit Protected
LV TTL/LVCMOS Outputs	Short Circuit Protected
ESD Rating	
Human Body Model (Tested per JESD22-A114E)	
All pins	4kV
SERIO/N	
(All VDD Connected, all GND Connected)	8kV
Machine Model (Tested per JESD-A115-A)	200V
Charge Device Model (Tested per AEC-Q100-011-B)	2000V
Latch-up (Tested per JESD-78B; Class2, Level A)	100mA

CAUTION: Do not operate at or near the maximum ratings listed for extended periods of time. Exposure to such conditions may adversely impact product reliability and result in failures not covered by warranty.

### NOTES:

- $\theta_{JA}$  is measured in free air with the component mounted on a high effective thermal conductivity test board with “direct attach” features. See Tech Brief TB379.
- For  $\theta_{JC}$ , the “case temp” location is the center of the exposed metal pad on the package underside.

**Electrical Specifications** Unless otherwise indicated, all data is for: VDD\_CDR = VDD\_CR = 1.8V, VDD\_IO = 3.3V, VDD\_TX = VDD\_P = VDD\_AN = 3.3V,  $T_A$  = +25 °C, Ref\_Res = 3.16k $\Omega$ , High-speed AC-coupling capacitor = 27nF. **Boldface limits apply over the operating temperature range, -40 °C to +105 °C.**

PARAMETER	SYMBOL	TEST CONDITIONS	MIN (Note 10)	TYP	MAX (Note 10)	UNIT
<b>POWER SUPPLY VOLTAGE</b>						
VDD_CDR, VDD_CR			<b>1.7</b>	1.8	<b>1.9</b>	V
VDD_TX, VDD_P, VDD_AN, VDD_IO			<b>3.0</b>	3.3	<b>3.6</b>	V
<b>SERIALIZER POWER SUPPLY CURRENTS</b>						
Total 1.8V Supply Current		PCLK_IN = 45MHz		62	<b>80</b>	mA
Total 3.3V Supply Current		(Note 8)		40	<b>52</b>	mA
<b>DESERIALIZER POWER SUPPLY CURRENTS</b>						
Total 1.8V Supply Current		PCLK_IN = 45MHz		66	<b>76</b>	mA
Total 3.3V Supply Current		(Note 8)		50	<b>63</b>	mA
<b>POWER-DOWN SUPPLY CURRENT</b>						
Total 1.8V Power-Down Supply Current		RSTB = GND		10		mA
Total 3.3V Power-Down Supply Current				0.5		mA
<b>PARALLEL INTERFACE</b>						
High Level Input Voltage	V <sub>IH</sub>		<b>2.0</b>			V
Low Level Input Voltage	V <sub>IL</sub>				<b>0.8</b>	V
Input Leakage Current	I <sub>IN</sub>		<b>-1</b>	±0.01	<b>1</b>	μA
High Level Output Voltage	V <sub>OH</sub>	I <sub>OH</sub> = -4.0mA, VDD_IO = 3.0V	<b>2.6</b>			V
Low Level Output Voltage	V <sub>OL</sub>	I <sub>OL</sub> = 4.0mA, VDD_IO = 3.6V			<b>0.4</b>	V
Output Short Circuit Current	I <sub>osc</sub>				<b>35</b>	mA

## Thermal Information

Thermal Resistance (Typical)	$\theta_{JA}$	$\theta_{JC}$ (°C/W)
QFN Package (Notes 6, 7)	32	3.7
Maximum Power Dissipation		327mW
Maximum Junction Temperature		+125 °C
Maximum Storage Temperature Range		-65 °C to +150 °C
Pb-free Reflow Profile		see <a href="#">TB493</a>

## Recommended Operating Conditions

Operating Temperature Range	-40 °C to +105 °C
-----------------------------	-------------------

**Electrical Specifications** Unless otherwise indicated, all data is for: VDD\_CDR = VDD\_CR = 1.8V, VDD\_IO = 3.3V, VDD\_TX = VDD\_P = VDD\_AN = 3.3V, T<sub>A</sub> = +25 °C, Ref\_Res = 3.16kΩ, High-speed AC-coupling capacitor = 27nF. **Boldface limits apply over the operating temperature range, -40 °C to +105 °C. (Continued)**

PARAMETER	SYMBOL	TEST CONDITIONS	MIN (Note 10)	TYP	MAX (Note 10)	UNIT
Output Rise and Fall Times	t <sub>OR</sub> /t <sub>OF</sub>	Slew rate control set to min C <sub>L</sub> = 8pF		1		ns
		Slew rate control set to max, C <sub>L</sub> = 8pF		4		ns
<b>SERIALIZER PARALLEL INTERFACE</b>						
PCLK_IN Frequency	f <sub>IN</sub>		6		50	MHz
PCLK_IN Duty Cycle	t <sub>DC</sub>		<b>40</b>	50	<b>60</b>	%
Parallel Input Setup Time	t <sub>IS</sub>		<b>3.5</b>			ns
Parallel Input Hold Time	t <sub>IH</sub>		<b>1.0</b>			ns
<b>DESERIALIZER PARALLEL INTERFACE</b>						
PCLK_OUT Frequency	f <sub>OUT</sub>		6		50	MHz
PCLK_OUT Duty Cycle	t <sub>ODC</sub>			50		%
PCLK_OUT Period Jitter (rms)	t <sub>OJ</sub>	Clock randomizer off		0.5		%t <sub>PCLK</sub>
PCLK_OUT Spread Width	t <sub>OSPRD</sub>	Clock randomizer on		±20		%t <sub>PCLK</sub>
PCLK_OUT to Parallel Data Outputs (includes Sync and DE pins)	t <sub>DV</sub>	Relative to PCLK_OUT, (Note 9)	<b>-1.0</b>		<b>5.5</b>	ns
Deserializer Output Latency	t <sub>CPD</sub>	Inherent in the design	<b>4</b>	9	<b>14</b>	PCLK
<b>DESERIALIZER REFERENCE CLOCK (REF_CLK IS FED INTO PCLK_IN)</b>						
REF_CLK Lock Time	t <sub>PLL</sub>			100		μs
REF_CLK to PCLK_OUT Maximum Frequency Offset		PCLK_OUT is the recovered clock	<b>1500</b>	5000		ppm
<b>HIGH-SPEED TRANSMITTER</b>						
HS Differential Output Voltage, Transition Bit	VOD <sub>TR</sub>	TXCN = 0x00	<b>650</b>	800	<b>900</b>	mV <sub>p-p</sub>
		TXCN = 0x0F		900		mV <sub>p-p</sub>
		TXCN = 0xF0		1100		mV <sub>p-p</sub>
		TXCN = 0xFF		1300		mV <sub>p-p</sub>
HS Differential Output Voltage, Non-Transition Bit	VOD <sub>NTR</sub>	TXCN = 0x00	<b>650</b>	800	<b>900</b>	mV <sub>p-p</sub>
		TXCN = 0x0F		900		mV <sub>p-p</sub>
		TXCN = 0xF0		430		mV <sub>p-p</sub>
		TXCN = 0xFF		600		mV <sub>p-p</sub>
HS Generated Output Common Mode Voltage	V <sub>OCM</sub>			2.35		V
HS Common Mode Serializer-Deserializer Voltage Difference	ΔV <sub>CM</sub>			10	<b>20</b>	mV
HS Differential Output Impedance	R <sub>OUT</sub>		<b>80</b>	100	<b>120</b>	Ω
HS Output Latency	t <sub>LPD</sub>	Inherent in the design	<b>4</b>	7	<b>10</b>	PCLK
HS Output Rise and Fall Times	t <sub>R</sub> /t <sub>F</sub>	20% to 80%		150		ps
HS Differential Skew	t <sub>SKEW</sub>			<10		ps
HS Output Random Jitter	t <sub>RJ</sub>	PCLK_IN = 45MHz		6		ps <sub>rms</sub>
HS Output Deterministic Jitter	t <sub>DJ</sub>	PCLK_IN = 45MHz		25		ps <sub>p-p</sub>

**Electrical Specifications** Unless otherwise indicated, all data is for: VDD\_CDR = VDD\_CR = 1.8V, VDD\_IO = 3.3V, VDD\_TX = VDD\_P = VDD\_AN = 3.3V, T<sub>A</sub> = +25 °C, Ref\_Res = 3.16kΩ, High-speed AC-coupling capacitor = 27nF. **Boldface limits apply over the operating temperature range, -40 °C to +105 °C. (Continued)**

PARAMETER	SYMBOL	TEST CONDITIONS	MIN (Note 10)	TYP	MAX (Note 10)	UNIT
<b>HIGH SPEED RECEIVER</b>						
HS Differential Input Voltage	V <sub>ID</sub>		<b>75</b>			mV <sub>P-P</sub>
HS Generated Input Common Mode Voltage	V <sub>ICM</sub>			2.32		V
HS Differential Input Impedance	R <sub>IN</sub>		<b>80</b>	100	<b>120</b>	Ω
HS Maximum Jitter Tolerance				0.50		UI <sub>P-P</sub>
<b>I<sup>2</sup>C</b>						
I <sup>2</sup> C Clock Rate (on SCL)	f <sub>I2C</sub>			100	<b>400</b>	kHz
I <sup>2</sup> C Clock Pulse Width (HI or LO)			<b>1.3</b>			μs
I <sup>2</sup> C Clock Low to Data Out Valid			<b>0</b>		<b>1</b>	μs
I <sup>2</sup> C Start/Stop Setup/Hold Time			<b>0.6</b>			μs
I <sup>2</sup> C Data in Setup Time			<b>100</b>			ns
I <sup>2</sup> C Data in Hold Time			<b>100</b>			ns
I <sup>2</sup> C Data out Hold Time			<b>100</b>			ms

## NOTES:

8. IDDIO is nominally 50μA and not included in this total as it is dominated by the loading of the parallel pins.
9. This parameter is the output data skew from the invalid edge of PCLK\_OUT. The setup and hold time provided to a system is dependent on the PCLK frequency and is calculated as follows: 0.5 \* f<sub>IN</sub> - t<sub>DV</sub>.
10. Compliance to datasheet limits is assured by one or more methods: production test, characterization and/or design.



# Timing Diagrams

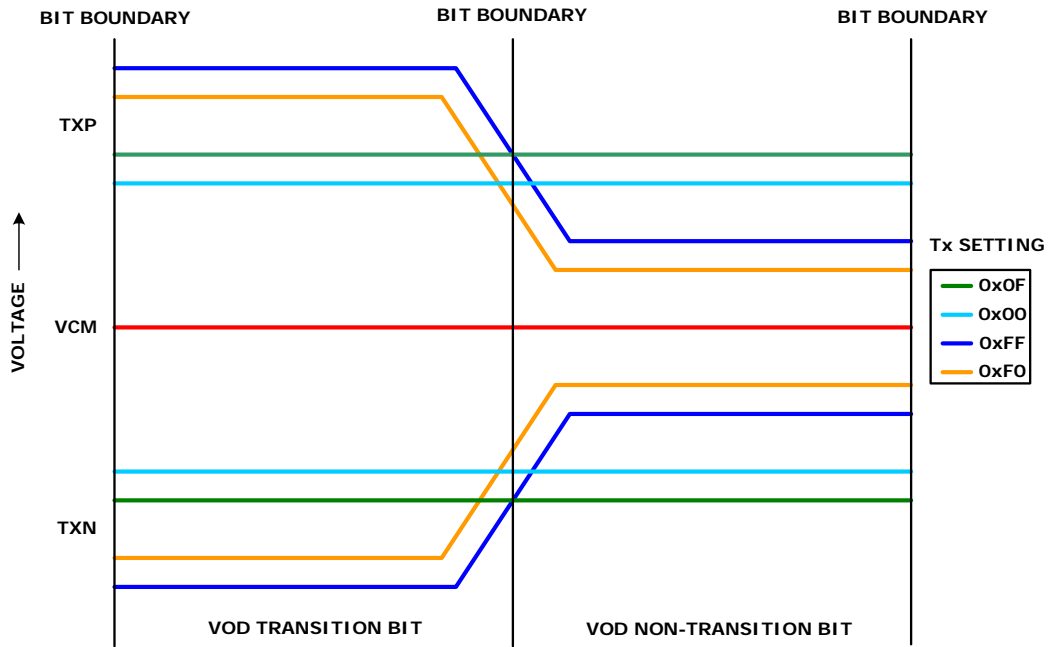


FIGURE 2. VOD vs TX SETTING

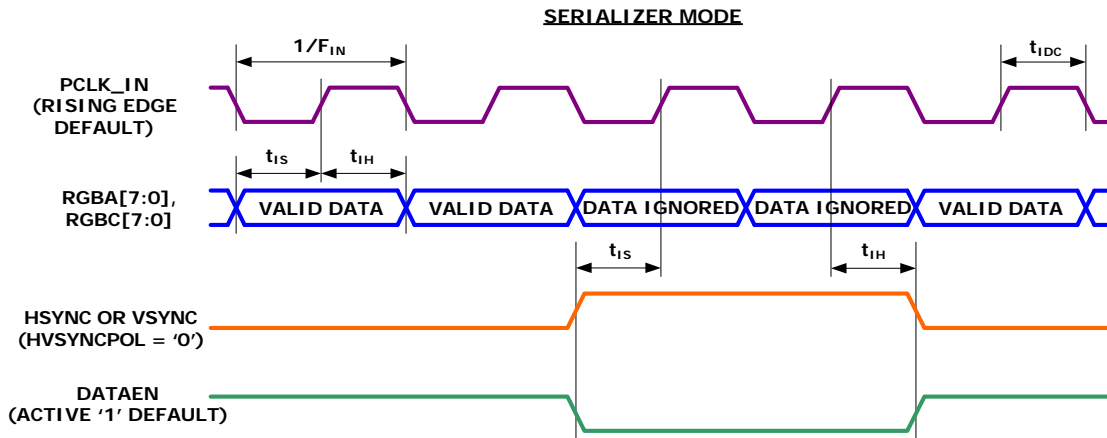


FIGURE 3. PARALLEL VIDEO INPUT TIMING

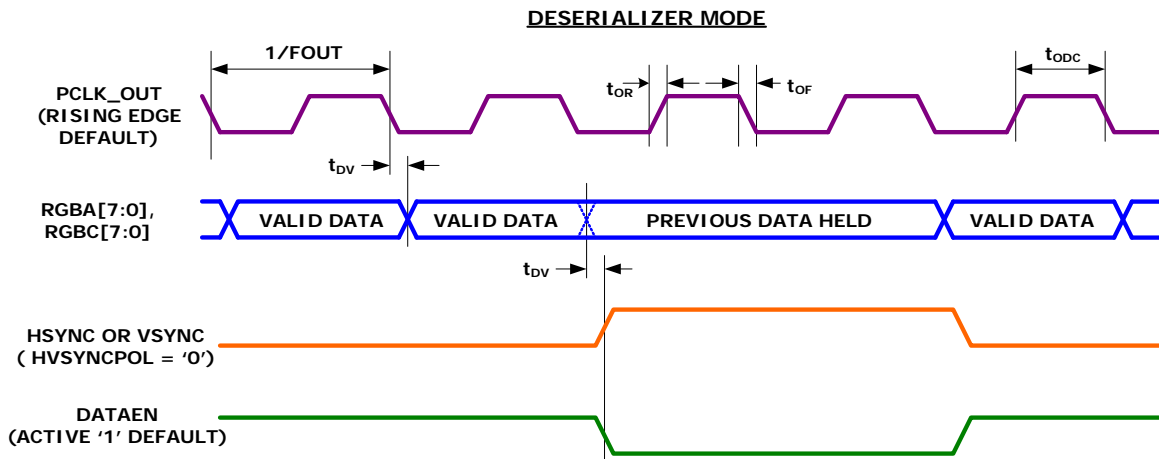


FIGURE 4. PARALLEL VIDEO OUTPUT TIMING

## Applications

### Detailed Description and Operation

A pair of ISL76322 SERDES transports 16-bit parallel video for the ISL76322 along with auxiliary data over a single 100 $\Omega$  differential cable either to a display or from a camera. Auxiliary data is transferred in both directions every video frame. This feature can be used for remote configuration and telemetry.

The benefits include lower EMI, lower costs, greater reliability and space savings. The same device can be configured to be either a serializer or deserializer by setting one pin (VIDEO\_TX), simplifying inventory. RGBA/C, VSYNC, HSYNC, and DATAEN pins are inputs in serializer mode and outputs in deserializer mode.

The video data presented to the serializer on the parallel LVCMOS bus is serialized into a high-speed differential signal. This differential signal is converted back to parallel video at the remote end by the deserializer. The Side Channel data (auxiliary data) is transferred between the SERDES pair during the first two lines of the vertical video blanking interval.

When the side-channel is enabled, which is the default, there will be a number of PCLK cycles uncertainty from frame-to-frame. This should not cause sync problems with most displays as this occurs during the vertical front porch of the blanking period. When properly configured, the SERDES link supports end-to-end transport with fewer than one error in  $10^{10}$  bits.

### Differential Signals and Termination

The ISL76322 serializes the 16-bit parallel data plus 3 sync signals at 20x the PCLK\_IN frequency. The extra 2 bits per word come from the 8b/10b encoding scheme which helps create the highest quality serial link.

The high bit rate of the differential serial data requires special care in the layout of traces on PCBs, in the choice and assembly of connectors, and in the cables themselves.

PCB traces need to be adjacent, matched in length and drawn to result in a differential 100 $\Omega$  controlled impedance. For best EMI performance, the cable should be low loss and have a differential 100 $\Omega$  impedance. The maximum cable length for a functioning link is dependent on the PCLK\_IN frequency, the cable loss and

impedance, as well as the pre-emphasis and equalization settings. Functioning links of 25 meters are often possible at the maximum frequency.

SERIO and SERION pins incorporate internal differential termination of the serial signal lines.

### SERIO Pin AC-Coupling

AC-coupling minimizes the effects of DC common mode voltage difference and local power supply variations between two SERDES. The serializer outputs DC balanced 8b/10b line code, which allows AC-coupling.

The AC-coupling capacitor on SERIO pins must be 27nF on the serializer board and 27nF on the deserializer board. The value of the AC-coupling capacitor is very critical since a value too small will attenuate the high-speed signal at low clock rate. A value too big will slow down the turn around time for the side-channel. It is an advantage to have the pair of capacitors as closely matched as possible.

### Receiver Reference Clock (REF\_CLK)

The reference clock (REF\_CLK) for the PLL is fed into PCLK\_IN pin. REF\_CLK is used to recover the clock from the high-speed serial stream. REF\_CLK is very sensitive to any instability. The following conditions must be met at all times after power is applied to the deserializer, or else the deserializer may need a manual reset:

- VDD must be applied and stable
- REF\_CLK frequency must be within the limits specified
- REF\_CLK amplitude must be stable

A simple 3.3V CMOS crystal oscillator can be used for REF\_CLK

### Power Supply Sequencing

The 3.3V supply must be higher than the 1.8V supply at all times, including during power-up and power-down. To meet this requirement, the 3.3V supply must be powered up before the 1.8V supply.

For the deserializer, REF\_CLK must not be applied before the device is fully powered up. Applying REF\_CLK before power-up

may require the deserializer to be manually reset. A 10ms delay after the 1.8V supply is powered up guarantees normal operation.

## Power Supply Bypassing and Layout

The serializer and deserializer functions rely on the stable functioning of PLLs locked to local reference sources or locked to an incoming signal. It is important that the various supplies (VDD\_P, VDD\_AN, VDD\_CDR, VDD\_TX) be well bypassed over a wide range of frequencies, from below the typical loop bandwidth of the PLL to approaching the signal bit rate of the serial data. A combination of different values of capacitors from 1000pF to 5 $\mu$ F or more with low ESR characteristics is generally required.

The parallel LVCMOS VDD\_IO supply is inherently less sensitive, but since the RGB and SYNC/DATAEN signals can all swing on the same clock edge, the current in these pins, and the corresponding GND pins, can undergo substantial current flow changes. Once again, a combination of different values of capacitors over a wide range, with low ESR characteristics, is desirable.

A set of arrangements of this type is shown in [Figure 5](#), where each supply is bypassed with a ferrite-bead-based choke, and a range of capacitors. A “choke” is preferable to an “inductor” in this application, since a high-Q inductor will be likely to cause one or more resonances with the shunt capacitors, potentially causing problems at or near those frequencies, while a “lossy” choke will reflect a high impedance over a wide frequency range.

The higher value capacitor, in particular, needs to be chosen carefully, with special care regarding its ESR. Very good results can be obtained with multilayer ceramic capacitors (available from many suppliers) and generally in small outlines (such as the 1210 outline suggested in the schematic shown in [Figure 5](#)), which provide good bypass capabilities down to a few m $\Omega$  at 1MHz to 2MHz. Other capacitor technologies may also be suitable (perhaps niobium oxide), but “classic” electrolytic capacitors frequently have ESR values of above 1 $\Omega$ , that nullify any decoupling effect above the 1kHz to 10kHz frequency range.

Capacitors of 0.1 $\mu$ F offer low impedance in the 10MHz to 20MHz region, and 1000pF capacitors in the 100MHz to 200MHz region. In general, one of the lower value capacitors should be used at each supply pin on the IC. [Figure 5](#) shows the grounding of the various capacitors to the pin corresponding to the supply pin. Although all the ground supplies are tied together, the PCB layout

should be arranged to emulate this arrangement (at least for the smaller value (high frequency) capacitors), as much as possible.

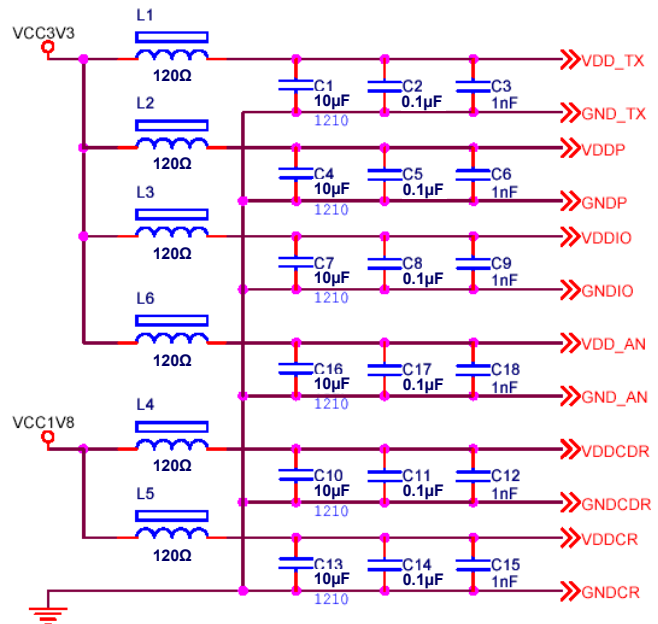


FIGURE 5. POWER SUPPLY BYPASSING

## I<sup>2</sup>C Interface

The I<sup>2</sup>C interface allows access to internal registers used to configure the SERDES and to obtain status information. A serializer must be assigned a different address than its deserializer counterpart if the side channel is used. The upper 5 bits are permanently set to 011 11 and the lower 2 bits determined by pins as follows:

0	1	1	1	1	I2CA1	I2CA0	R/ $\bar{W}$
---	---	---	---	---	-------	-------	--------------

Thus, 4 SERDES can reside on the same bus. By convention, when all address pins are tied low, the device address is referred to as 0x78.

SCL and SDA are open drain to allow multiple devices to share the bus. If not used, SCL and SDA should be tied to VDD\_IO.

## Exposed Pad

While it is not a required electrical connection, it is recommended that the exposed pad on the bottom of the package be soldered to the circuit board. This will ensure that the full power dissipation of the package can be utilized. The pad should be connected to ground and not left floating. For best thermal conductivity, 16 vias should connect the footprint for the exposed pad on the circuit board to the ground plane. This connection is not required for basic operation of the chip.

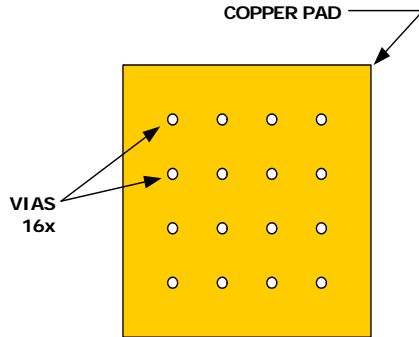


FIGURE 6. LAYOUT FOR THE EXPOSED PAD

© Copyright Intersil Americas LLC 2011-2015. All Rights Reserved.  
All trademarks and registered trademarks are the property of their respective owners.

For additional products, see [www.intersil.com/en/products.html](http://www.intersil.com/en/products.html)

Intersil Automotive Qualified products are manufactured, assembled and tested utilizing TS16949 quality systems as noted in the quality certifications found at [www.intersil.com/en/support/qualandreliability.html](http://www.intersil.com/en/support/qualandreliability.html)

*Intersil products are sold by description only. Intersil may modify the circuit design and/or specifications of products at any time without notice, provided that such modification does not, in Intersil's sole judgment, affect the form, fit or function of the product. Accordingly, the reader is cautioned to verify that datasheets are current before placing orders. Information furnished by Intersil is believed to be accurate and reliable. However, no responsibility is assumed by Intersil or its subsidiaries for its use; nor for any infringements of patents or other rights of third parties which may result from its use. No license is granted by implication or otherwise under any patent or patent rights of Intersil or its subsidiaries.*

For information regarding Intersil Corporation and its products, see [www.intersil.com](http://www.intersil.com)

## Revision History

The revision history provided is for informational purposes only and is believed to be accurate, but not warranted. Please go to web to make sure you have the latest Rev.

DATE	REVISION	CHANGE
May 6, 2015	FN7611.3	"Absolute Maximum Ratings" on page 6 - changed Charge Device Model from (Tested per JESD22-C101C) to (Tested per AEC-Q100-011-B)
December 23, 2013	FN7611.2	Page 12 - 2nd line of the disclaimer changed from: "Intersil products are manufactured, assembled and tested utilizing ISO9001 quality systems as noted" to: "Intersil Automotive Qualified products are manufactured, assembled and tested utilizing TS16949 quality systems as noted"
March 1, 2011	FN7611.1	Removed 4th bullet from Features on page 1 which read "Bi-directional Auxiliary Data Transport without Extra Bandwidth and Over the Same Differential Pair"
January 31, 2011	FN7611.0	Initial Release.

## About Intersil

Intersil Corporation is a leading provider of innovative power management and precision analog solutions. The company's products address some of the largest markets within the industrial and infrastructure, mobile computing and high-end consumer markets.

For the most updated datasheet, application notes, related documentation and related parts, please see the respective product information page found at [www.intersil.com](http://www.intersil.com).

You may report errors or suggestions for improving this datasheet by visiting [www.intersil.com/ask](http://www.intersil.com/ask).

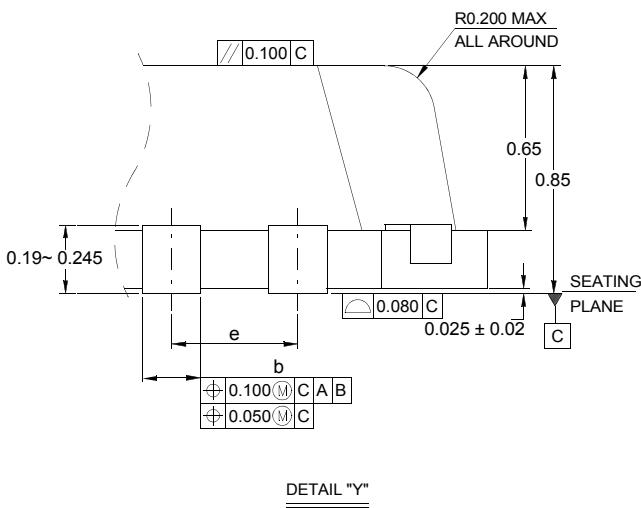
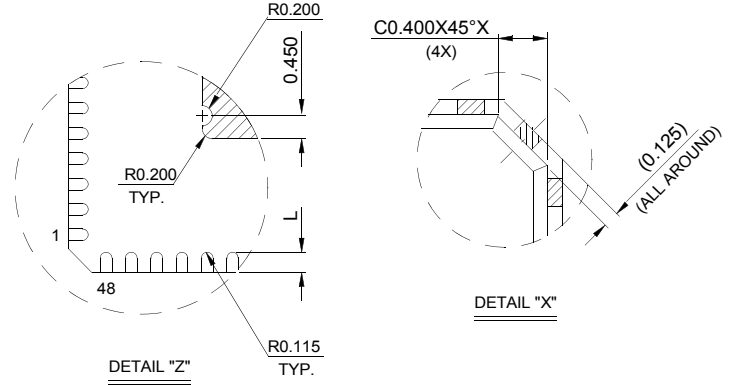
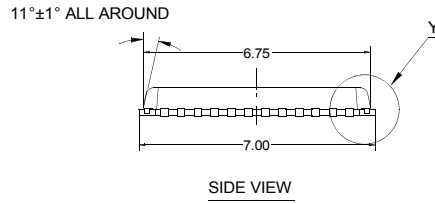
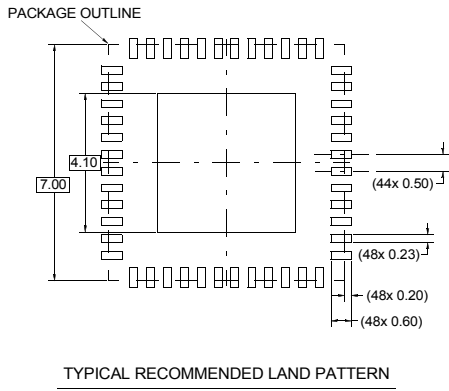
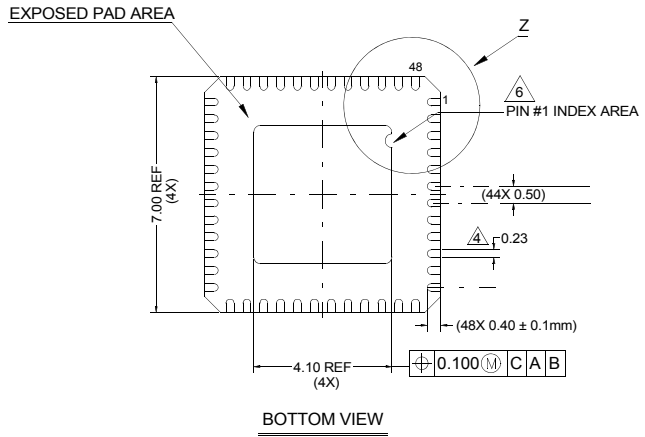
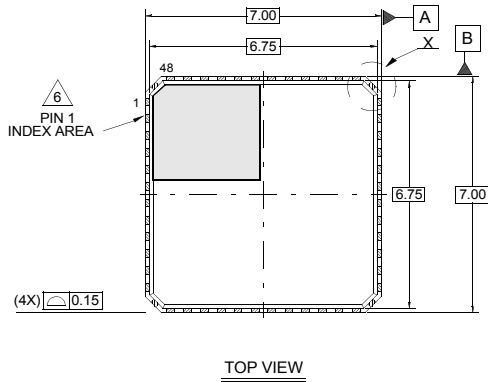
Reliability reports are also available from our website at [www.intersil.com/support](http://www.intersil.com/support)

# Package Outline Drawing

## L48.7x7C

48 LEAD QUAD FLAT NO-LEAD PLASTIC PACKAGE (PUNCH QFN)

Rev 0, 1/08



**NOTES:**

1. Dimensions are in millimeters.  
Dimensions in ( ) for Reference Only.
2. Dimensioning and tolerancing conform to JESD-MO220.
3. Unless otherwise specified, tolerance : Decimal ± 0.05, body tolerance ± 0.1
4. Dimension b applies to the metallized terminal and is measured between 0.18mm and 0.28mm from the terminal tip. Frame base metal thickness 0.203mm.
5. Tiebar shown (if present) is a non-functional feature.
6. The configuration of the pin #1 identifier is optional, but must be located within the zone indicated. The pin #1 identifier may be either a mold or mark feature.

## Данный компонент на территории Российской Федерации

### Вы можете приобрести в компании MosChip.

Для оперативного оформления запроса Вам необходимо перейти по данной ссылке:

<http://moschip.ru/get-element>

Вы можете разместить у нас заказ для любого Вашего проекта, будь то серийное производство или разработка единичного прибора.

В нашем ассортименте представлены ведущие мировые производители активных и пассивных электронных компонентов.

Нашей специализацией является поставка электронной компонентной базы двойного назначения, продукции таких производителей как XILINX, Intel (ex.ALTERA), Vicor, Microchip, Texas Instruments, Analog Devices, Mini-Circuits, Amphenol, Glenair.

Сотрудничество с глобальными дистрибьюторами электронных компонентов, предоставляет возможность заказывать и получать с международных складов практически любой перечень компонентов в оптимальные для Вас сроки.

На всех этапах разработки и производства наши партнеры могут получить квалифицированную поддержку опытных инженеров.

Система менеджмента качества компании отвечает требованиям в соответствии с ГОСТ Р ИСО 9001, ГОСТ РВ 0015-002 и ЭС РД 009

### Офис по работе с юридическими лицами:

105318, г.Москва, ул.Щербаковская д.3, офис 1107, 1118, ДЦ «Щербаковский»

Телефон: +7 495 668-12-70 (многоканальный)

Факс: +7 495 668-12-70 (доб.304)

E-mail: [info@moschip.ru](mailto:info@moschip.ru)

Skype отдела продаж:

moschip.ru

moschip.ru\_4

moschip.ru\_6

moschip.ru\_9