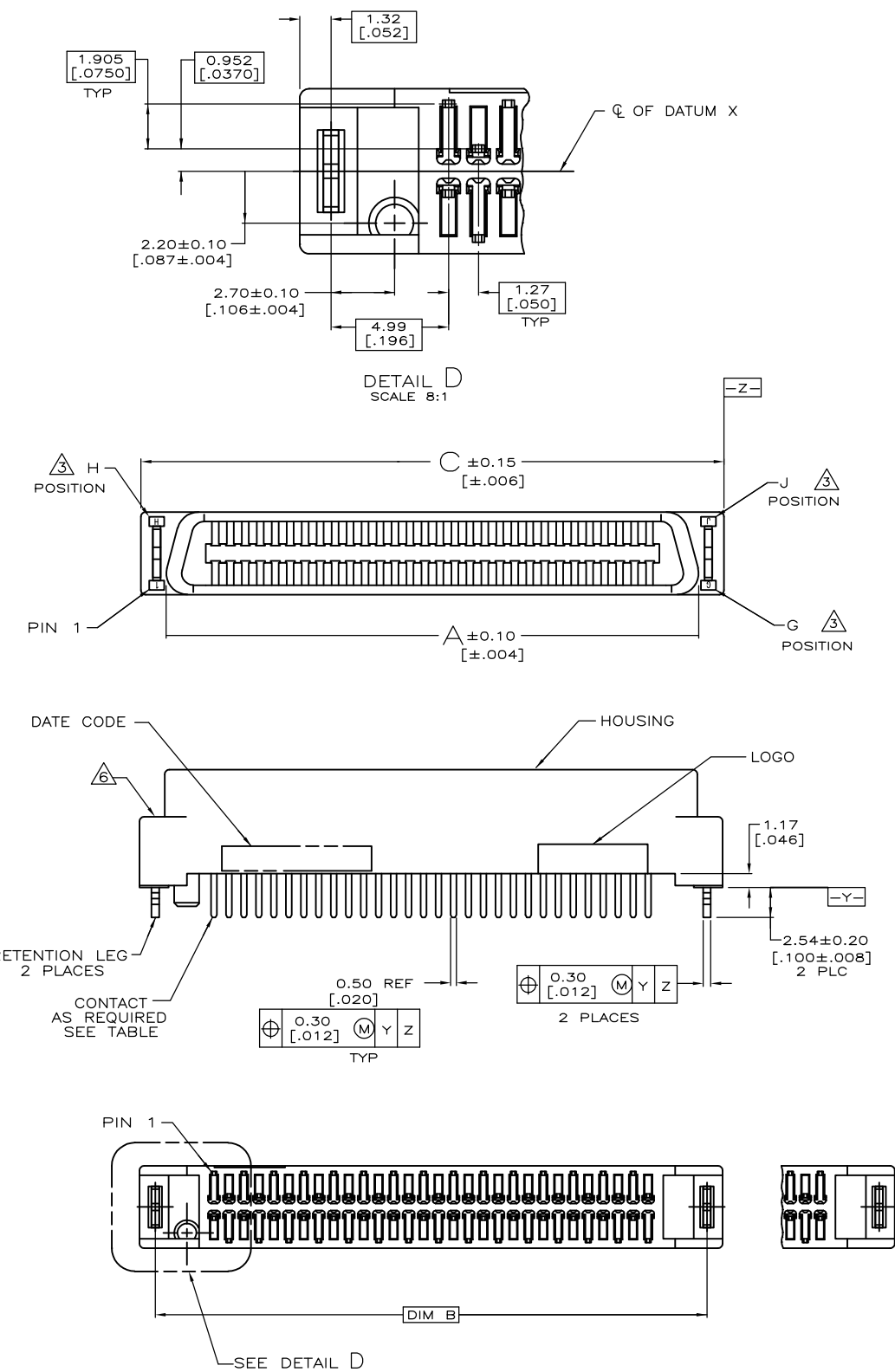


THIS DRAWING IS UNPUBLISHED. RELEASED FOR PUBLICATION
 © COPYRIGHT - By - ALL RIGHTS RESERVED.

LOC	DIST	REVISIONS					
		P	LTR	DESCRIPTION	DATE	DWN	APVD
DW	/		D4	REVISED PER ECO-14-007405	19MAY2014	BL	JY



NOTE:
 1. MATERIAL:
 HOUSING: LCP, MOLDING COMPOUND, UL 94V-0, BLACK COLOR.
 CONTACTS: PHOSPHOR BRONZE.
 BOARDLOCKS: BRASS.
 2. FINISH:
 CONTACTS: (SEE TABLE) GOLD PLATED ON CONTACT AREA,
 3.81µm [150µ"] MIN. MATTE-TIN ON SOLDERTAIL,
 1.27µm [50µ"] MIN. NICKEL UNDERPLATED OVERALL.
 BOARDLOCKS: 3.81µm [150µ"] MIN. TIN-Cu OVER
 1.27µm [50µ"] MIN. UNDERPLATED.
 △ G, J, H INDICATE NUMBER OF POSITION MARKED ON ASSEMBLY.
 ALSO SEE TABLE.
 △ ALL DIMENSIONS SHOWN ARE MAXIMUM UNLESS OTHERWISE SPECIFIED.
 △ RETENTION LEGS NOT PRESENT.
 △ TOP OF RETENTION LEG MAY NOT PROTRUDE ABOVE THIS SURFACE.
 △ HOUSING BOW UP TO 0.30 [.012] ALLOWED.
 8. 60 POSITION AS SHOWN.
 9. WAVE SOLDER CAPABLE TO 265°C PER TEST SPEC.
 109-202, CONDITION B.
 △ GOLD FLASH OVER
 0.762µm [30µ"] MIN. PALLADIUM-NICKEL PLATED.

PCB THICKNESS	E	C	B	A	G	J	H	CONTACT PLATED	PART NUMBER	POS.
0.80-1.60 [.031-.063]	2.54 [.100]	125.65 [4.947]	123.01 [4.843]	121.37 [4.778]	90	180	91	GOLD FLASH	5-1734100-8	180
								△	3-1734100-8	
								△	1-1734100-8	
2.36 [0.093]	3.17 [.125]	112.95 [4.447]	110.31 [4.343]	108.67 [4.278]	80	160	81	GOLD FLASH	5-1734100-6	160
0.80-1.60 [.031-.063]	2.54 [.100]	112.95 [4.447]	110.31 [4.343]	108.67 [4.278]	80	160	81	0.381mm[15m"]	3-1734100-6	
								△	1-1734100-6	
								GOLD FLASH	5-1734100-3	130
0.80-1.60 [.031-.063]	2.54 [.100]	93.90 [3.697]	91.26 [3.593]	89.62 [3.528]	65	130	66	0.381mm[15m"]	3-1734100-3	
								△	1-1734100-3	
								GOLD FLASH	5-1734100-2	120
0.80-1.60 [.031-.063]	2.54 [.100]	87.55 [3.447]	84.91 [3.343]	83.27 [3.278]	60	120	61	0.381mm[15m"]	3-1734100-2	
								△	1-1734100-2	
								GOLD FLASH	5-1734100-1	100
2.08 [.082]	3.17 [.125]	74.85 [2.947]	72.21 [2.843]	70.57 [2.778]	50	100	51	0.381mm[15m"]	3-1734100-1	
								△	1-1734100-1	
								GOLD FLASH	5-1734100-0	
0.80-1.60 [.031-.063]	2.54 [.100]	74.85 [2.947]	72.21 [2.843]	70.57 [2.778]	50	100	51	0.381mm[15m"]	3-1734100-0	
								△	1-1734100-0	
								GOLD FLASH	4-1734100-9	80
0.80-1.60 [.031-.063]	2.54 [.100]	62.15 [2.447]	59.51 [2.343]	57.87 [2.278]	40	80	41	0.381mm[15m"]	2-1734100-9	
								△	1734100-9	
								GOLD FLASH	4-1734100-8	80
0.80-1.60 [.031-.063]	2.54 [.100]	62.15 [2.447]	59.51 [2.343]	57.87 [2.278]	40	80	41	0.381mm[15m"]	2-1734100-8	
								△	1734100-8	
								GOLD FLASH	4-1734100-7	68
0.80-1.60 [.031-.063]	2.54 [.100]	54.53 [2.147]	51.89 [2.043]	50.25 [1.978]	34	68	35	0.381mm[15m"]	2-1734100-7	
								△	1734100-7	
								GOLD FLASH	4-1734100-6	60
0.80-1.60 [.031-.063]	2.54 [.100]	49.45 [1.947]	46.81 [1.843]	45.17 [1.778]	30	60	31	0.381mm[15m"]	2-1734100-6	
								△	1734100-6	
								GOLD FLASH	5-1734100-9	50
2.08 [.082]	3.17 [.125]	43.10 [1.697]	40.46 [1.593]	38.82 [1.528]	25	50	26	0.381mm[15m"]	3-1734100-9	
								△	1-1734100-9	
								GOLD FLASH	4-1734100-5	
0.80-1.60 [.031-.063]	2.54 [.100]	43.10 [1.697]	40.46 [1.593]	38.82 [1.528]	25	50	26	0.381mm[15m"]	2-1734100-5	
								△	1734100-5	
								GOLD FLASH	4-1734100-4	40
0.80-1.60 [.031-.063]	2.54 [.100]	36.75 [1.447]	34.11 [1.343]	32.47 [1.278]	20	40	21	0.381mm[15m"]	2-1734100-4	
								△	1734100-4	
								GOLD FLASH	4-1734100-3	
0.80-1.60 [.031-.063]	2.54 [.100]	30.40 [1.197]	27.76 [1.093]	26.12 [1.025]	15	30	16	0.381mm[15m"]	2-1734100-3	30
								△	1734100-3	
								GOLD FLASH	4-1734100-2	
2.08 [.082]	3.17 [.125]	24.05 [.947]	21.41 [.843]	19.77 [.778]	10	20	11	0.381mm[15m"]	2-1734100-2	20
								△	1734100-2	

THIS DRAWING IS A CONTROLLED DOCUMENT.

DWN F. YANG 31MAR2009	 TE Connectivity PLUG ASSEMBLY, VERTICAL BOARD-TO-BOARD, CHAMP .050, SERIES I			
CHK S. CHIEN 31MAR2009				
APVD W. KODAMA 31MAR2009				
NAME 108-57876				
PRODUCT SPEC	SIZE	CAGE CODE	DRAWING NO	RESTRICTED TO
APPLICATION SPEC	-	A300779	C-1734100	-
WEIGHT	-	CUSTOMER DRAWING		SCALE
SEE NOTE	SEE NOTE	SHEET 1 OF 4		REV D4

THIS DRAWING IS UNPUBLISHED.

RELEASED FOR PUBLICATION

ALL RIGHTS RESERVED.

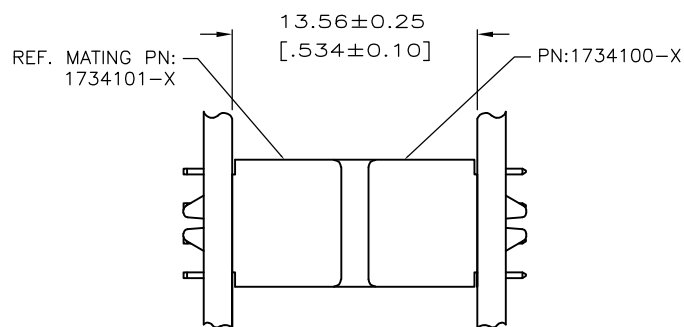
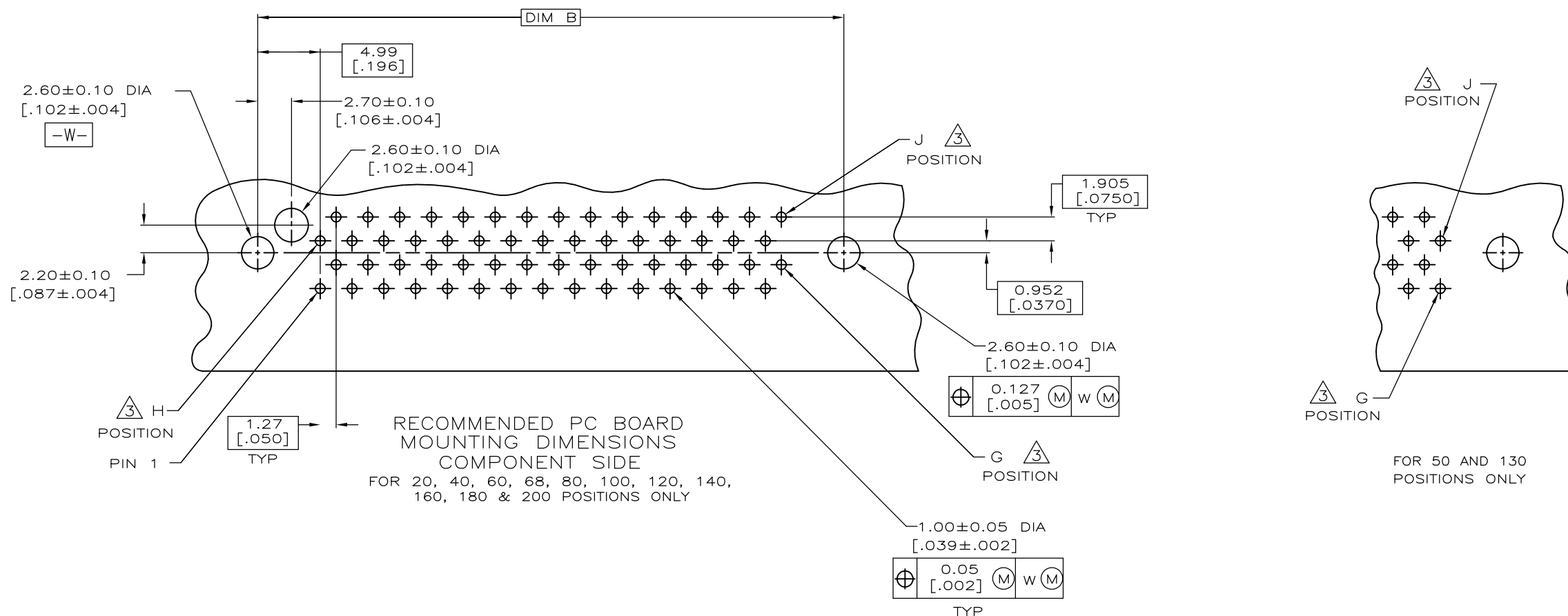
© COPYRIGHT - By -

LOC DW

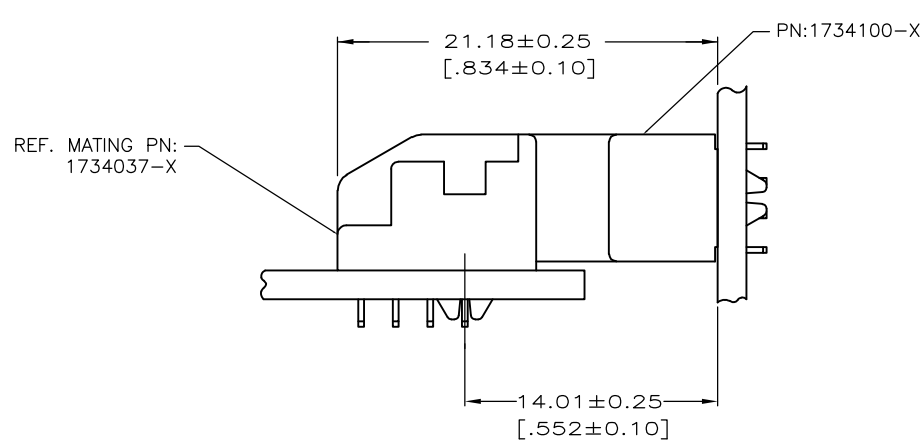
DIST

REVISIONS

P	LTR	DESCRIPTION	DATE	DWN	APVD
-	-	SEE SHEET 1	-	-	-



VERTICAL PLUG ASSEMBLY MATED TO VERTICAL RECEPTACLE ASSEMBLY

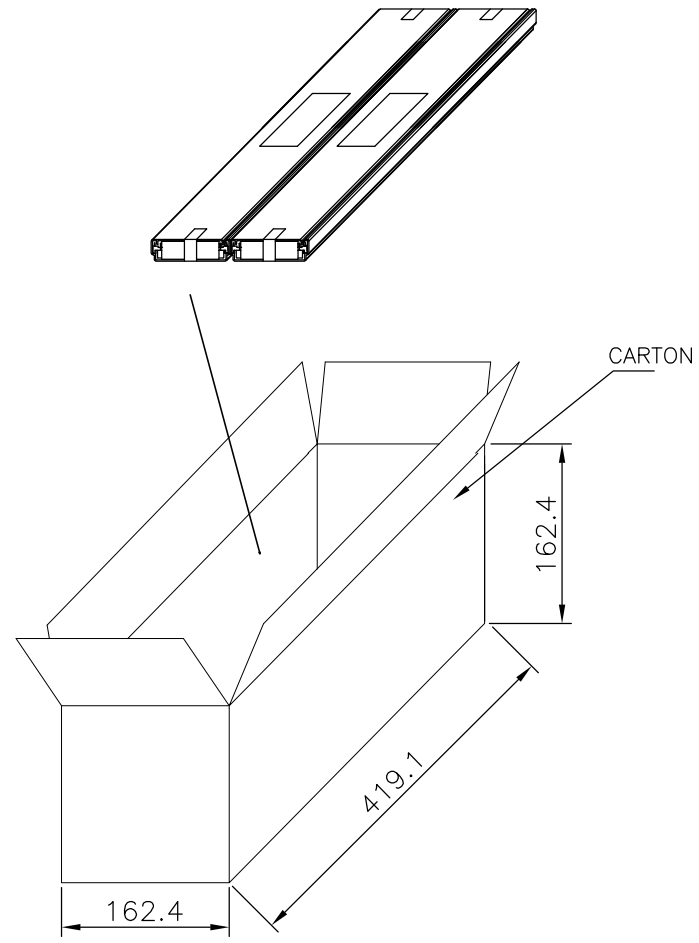
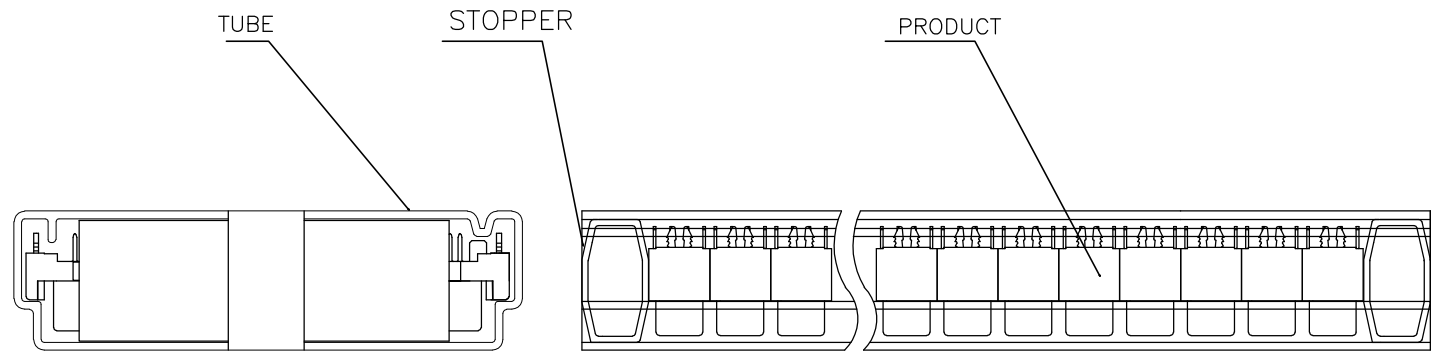


VERTICAL PLUG ASSEMBLY MATED TO RIGHT ANGLE RECEPTACLE ASSEMBLY

THIS DRAWING IS A CONTROLLED DOCUMENT.		DWN	-		
DIMENSIONS: mm		CHK	-		
TOLERANCES UNLESS OTHERWISE SPECIFIED:		APVD	-		
0 PLC	± -	PRODUCT SPEC	-		
1 PLC	± -	APPLICATION SPEC	-		
2 PLC	± -	WEIGHT	-		
3 PLC	± -	-			
4 PLC	± -	-			
ANGLES	± -	-			
MATERIAL	FINISH	-			
		STE TE Connectivity		NAME	
		PLUG ASSEMBLY, VERTICAL BOARD-TO-BOARD, CHAMP .050, SERIES I			
		SIZE	CAGE CODE	DRAWING NO	RESTRICTED TO
		A3	00779	C-1734100	-
		CUSTOMER DRAWING		SCALE	SHEET 2 OF 4
				REV	D4

THIS DRAWING IS UNPUBLISHED. RELEASED FOR PUBLICATION
 © COPYRIGHT - By - ALL RIGHTS RESERVED.

LOC	DIST	REVISIONS				
P	LTR	DESCRIPTION	DATE	DWN	APVD	
	-	SEE SHEET 1	-	-	-	

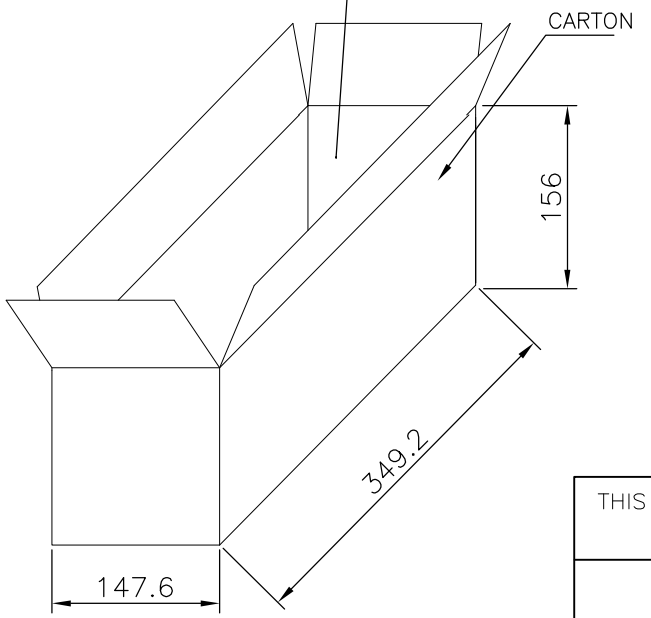
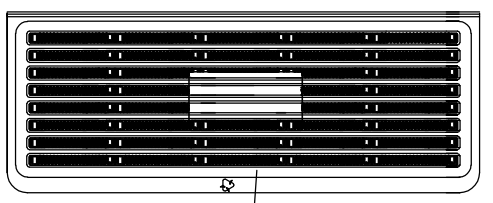
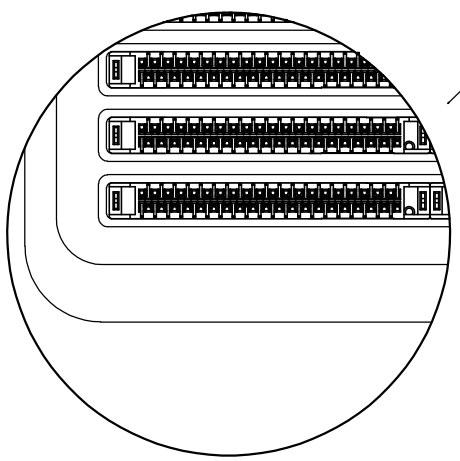
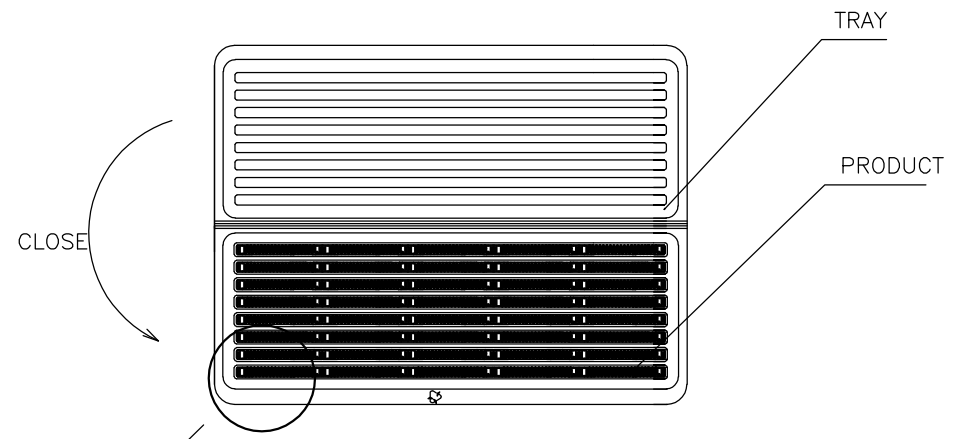


	G.W./CARTON	N.W./CARTON	PCS/TUBE	TUBES/CARTON	QUANTITY/CARTON (PCS)	PART NUMBER	POS.
OBSOLETE	4.88	3.42	54	8	432	5-1734100-2	120
						3-1734100-2	
						1-1734100-2	
OBSOLETE	7.70	5.58	54	16	864	5-1734100-0	100
						3-1734100-0	
						1-1734100-0	
OBSOLETE	5.28	3.80	54	16	864	4-1734100-9	80
						2-1734100-9	
						1734100-9	
OBSOLETE	5.38	3.90	54	16	864	4-1734100-8	68
						2-1734100-8	
						1734100-8	
OBSOLETE	4.76	3.37	54	16	864	4-1734100-7	60
						2-1734100-7	
						1734100-7	
OBSOLETE	4.36	3.11	54	16	864	4-1734100-6	50
						2-1734100-6	
						1734100-6	
OBSOLETE	5.72	4.08	54	24	1296	5-1734100-9	40
						3-1734100-9	
						1-1734100-9	
OBSOLETE	5.70	4.07	54	24	1296	4-1734100-5	30
						2-1734100-5	
						1734100-5	
OBSOLETE	4.77	3.50	54	24	1296	4-1734100-4	-
						2-1734100-4	
						1734100-4	
OBSOLETE	4.46	3.03	54	24	1296	4-1734100-3	-
						2-1734100-3	
						1734100-3	
	G.W./CARTON	N.W./CARTON	PCS/TUBE	TUBES/CARTON	QUANTITY/CARTON (PCS)	PART NUMBER	POS.

THIS DRAWING IS A CONTROLLED DOCUMENT.		DWN	TE Connectivity		
DIMENSIONS: mm		CHK	NAME		
TOLERANCES UNLESS OTHERWISE SPECIFIED:		APVD	PLUG ASSEMBLY, VERTICAL BOARD-TO-BOARD, CHAMP .050, SERIES I		
0 PLC ± - 1 PLC ± - 2 PLC ± - 3 PLC ± - 4 PLC ± - ANGLES ± -		PRODUCT SPEC	SIZE	CAGE CODE	DRAWING NO
MATERIAL		APPLICATION SPEC	A3	00779	C-1734100
FINISH		WEIGHT	RESTRICTED TO		
		CUSTOMER DRAWING	SCALE	SHEET	REV
			-	3 OF 4	D4

THIS DRAWING IS UNPUBLISHED. RELEASED FOR PUBLICATION
 © COPYRIGHT - By - ALL RIGHTS RESERVED.

LOC	DIST	REVISIONS				
P	LTR	DESCRIPTION	DATE	DWN	APVD	
	-	SEE SHEET 1	-	-	-	



D2 OBSOLETE	G.W./CARTON (KG)	N.W./CARTON (KG)	PCS/TRAY	TRAYS/CARTON	QUANTITY/CARTON (PCS)	PART NUMBER		POS.
						5-1734100-8	3-1734100-8	
	2.85	1.97	16	10	160	5-1734100-6	3-1734100-6	180
	2.62	1.73	16	10	160	1-1734100-6		160

THIS DRAWING IS A CONTROLLED DOCUMENT.

DIMENSIONS: mm	TOLERANCES UNLESS OTHERWISE SPECIFIED:	DWN	TE Connectivity	
0 PLC ± - 1 PLC ± - 2 PLC ± - 3 PLC ± - 4 PLC ± - ANGLES ± -	FINISH	CHK	NAME	
MATERIAL		APVD	PLUG ASSEMBLY, VERTICAL BOARD-TO-BOARD, CHAMP .050, SERIES I	
		PRODUCT SPEC	SIZE	RESTRICTED TO
		APPLICATION SPEC	A3	
		WEIGHT	CAGE CODE	
			C=1734100	
			DRAWING NO	
			SCALE	
			SHEET	
			4 OF 4	
			REV	
			D4	

CUSTOMER DRAWING

Данный компонент на территории Российской Федерации

Вы можете приобрести в компании MosChip.

Для оперативного оформления запроса Вам необходимо перейти по данной ссылке:

<http://moschip.ru/get-element>

Вы можете разместить у нас заказ для любого Вашего проекта, будь то серийное производство или разработка единичного прибора.

В нашем ассортименте представлены ведущие мировые производители активных и пассивных электронных компонентов.

Нашей специализацией является поставка электронной компонентной базы двойного назначения, продукции таких производителей как XILINX, Intel (ex.ALTERA), Vicor, Microchip, Texas Instruments, Analog Devices, Mini-Circuits, Amphenol, Glenair.

Сотрудничество с глобальными дистрибьюторами электронных компонентов, предоставляет возможность заказывать и получать с международных складов практически любой перечень компонентов в оптимальные для Вас сроки.

На всех этапах разработки и производства наши партнеры могут получить квалифицированную поддержку опытных инженеров.

Система менеджмента качества компании отвечает требованиям в соответствии с ГОСТ Р ИСО 9001, ГОСТ РВ 0015-002 и ЭС РД 009

Офис по работе с юридическими лицами:

105318, г.Москва, ул.Щербаковская д.3, офис 1107, 1118, ДЦ «Щербаковский»

Телефон: +7 495 668-12-70 (многоканальный)

Факс: +7 495 668-12-70 (доб.304)

E-mail: info@moschip.ru

Skype отдела продаж:

moschip.ru

moschip.ru_4

moschip.ru_6

moschip.ru_9