

2-Channel Audio Limiter

■ GENERAL DESCRIPTION

NJM2762 is a 2-channel audio limiter IC that will consistently monitor the amplitude of the input audio signals and prevent them from exceeding a certain limit level.

NJM2762 will sense both input channels separately and when either input signals exceeded the preset limit level, it will reduce the gain of both channels together, such that the output is always balanced and limited to the desired level. The amount of attenuation will depend on the channel that has the worst overshoot condition.

The limit level of **NJM2762** can be adjustable by external resistor - making it suitable for PC application and any audio products that required speaker protection at the back-end.

■ PACKAGE OUTLINE



NJM2762RB2
MSOP10 (TVSP10)

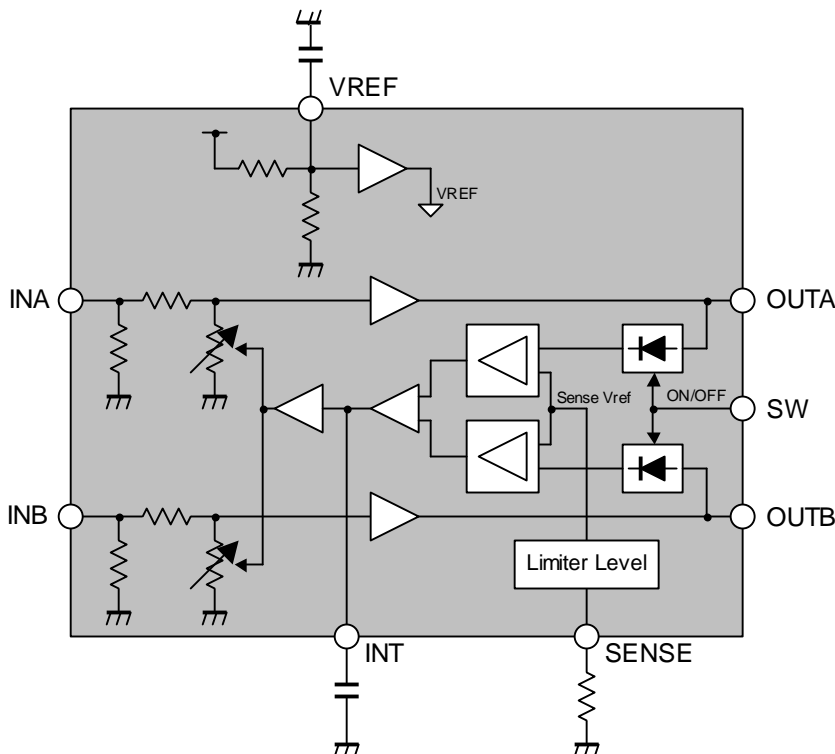


NJM2762V
(SSOP14)

■ FEATURES

- Wide Operating Voltage 2.7V to 13.0V
 - Variable Limit Level by external resistor 180mVrms to 1Vrms
 - Low Output Noise -90dBV max.
 - Bipolar Technology
 - Package Outline MSOP10 (TVSP10)*
SSOP14
- *MEET JEDEC MO-187-DA / THIN TYPE

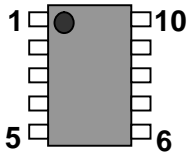
■ BLOCK DIAGRAM



NJM2762

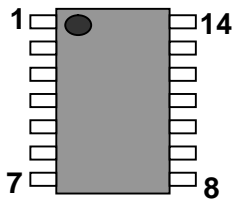
■ PIN CONFIGURATION

MSOP10 (TVSP10)



No.	Symbol	Function
1	V+	Power Supply Terminal
2	OUTa	Ach Output Terminal
3	INa	Ach Input Terminal
4	INT	Ach Smoothing Capacitor Terminal
5	VREF	Reference Voltage Terminal
6	SENSE	Preset Limit Level Terminal
7	SW	Limiter On/Off Control Terminal
8	INb	Bch Output Terminal
9	OUTb	Bch Input Terminal
10	GND	Ground

SSOP14



No.	Symbol	Function
1	V+	Power Supply Terminal
2	OUTa	Ach Output Terminal
3	INa	Ach Input Terminal
4	INT	Ach Smoothing Capacitor Terminal
5	VREF	Reference Voltage Terminal
6	NC	Not Connected
7	NC	Not Connected
8	NC	Not Connected
9	NC	Not Connected
10	SENSE	Preset Limit Level Terminal
11	SW	Limiter On/Off Control Terminal
12	INb	Bch Output Terminal
13	OUTb	Bch Input Terminal
14	GND	Ground

■ ABSOLUTE MAXIMUM RATING (Ta=25°C)

PARAMETER	SYMBOL	RATING	UNIT
Supply Voltage	V ⁺	+14	V
Power Dissipation	P _D	320 [MSOP10(TVSP10)] 300 [SSOP14]	mW
Maximum Input Voltage	V _{IMAX}	0 ~ V ⁺ (Note1)	V
Operating Temperature Range	Topr	-40 ~ +85	°C
Storage Temperature Range	Tstg	-40 ~ +125	°C

(Note1) Don't put Input Voltage more than Power Supply Voltage.

■ ELECTRICAL CHARACTERISTICS

● POWER SUPPLY (Ta=25°C, V⁺=5V, SW=0 unless otherwise specified)

PARAMETER	SYMBOL	TEST CONDITION	MIN.	TYP.	MAX.	UNIT
Operating Voltage	V ⁺		2.7	5	13.0	V
Operating Current	I _{CC}	No signal	-	2.5	3	mA
Reference Voltage	V _{ref}	No signal	2.2	2.5	2.8	V

● AC CHARACTERISTICS

(Ta=25°C, V⁺=5V, V_{IN}=1Vrms, f=1kHz, R_{sense}=8kΩ, BW=400Hz-30kHz, SW=0 unless otherwise specified)

PARAMETER	SYMBOL	TEST CONDITION	MIN.	TYP.	MAX.	UNIT
Limit Level 1	G _{LIM1}		130	180	230	mVrms
Limit Level 2	G _{LIM2}	V ⁺ =13V, V _{IN} =2Vrms, R _{sense} =40kΩ,	0.7	1.0	1.3	Vrms
Limit Off	G _{OFF}	SW=2V	0.9	1.0	1.1	Vrms
Output Noise	V _{NO}	R _S =0Ω, A-weighting	-	-100 (10)	-90 (31.6)	dBV (μVrms)
Total Harmonic Distortion	THD+N		-	-	1	%
Cross Talk	CT		-	-	-70	dB
Ripple Rejection	RR	V _{ripple} =100mVrms	-	-	-70	dBV

● CONTROL CHARACTERISTICS (Ta=25°C, V⁺=5V, unless otherwise specified)

PARAMETER	SYMBOL	TEST CONDITION	MIN.	TYP.	MAX.	UNIT
Low Level Input Voltage	V _{IL}		0	-	0.5	V
High Level Input Voltage	V _{IH}		2.0	-	V ⁺	V

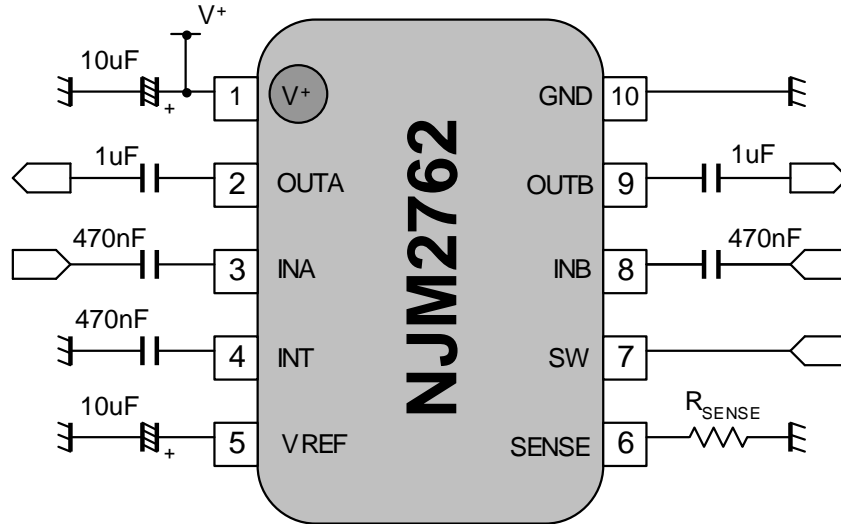
■ CONTROL TERMINAL EXPLANATION – SW Terminal (TVSP10(MSOP10): Pin7 / SSOP14: Pin11)

MODE	STATUS	TEST CONDITION
Limiter ON	L	Limiter is Active
Limiter OFF	H	Limiter is NOT Active

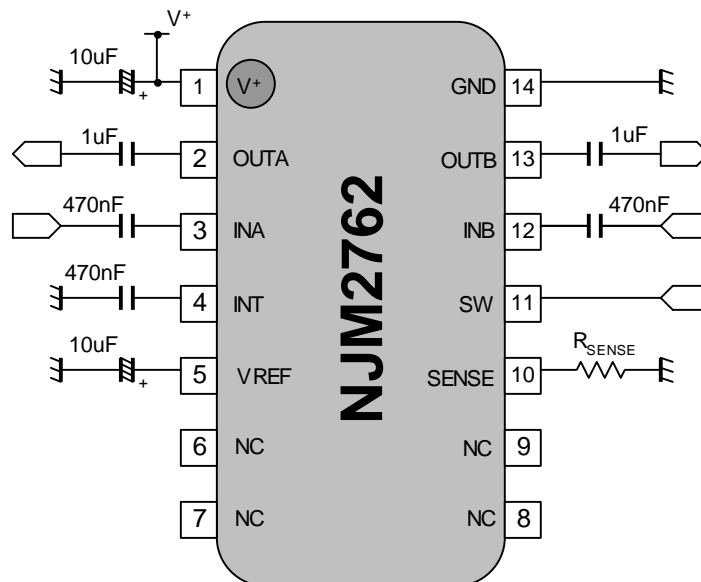
NJM2762

APPLICATION CIRCUIT

MSOP10(TVSP10)



SSOP14



R_{SENSE} Setting => See graph on page 9

■ TERMINAL DESCRIPTION (MSOP10)

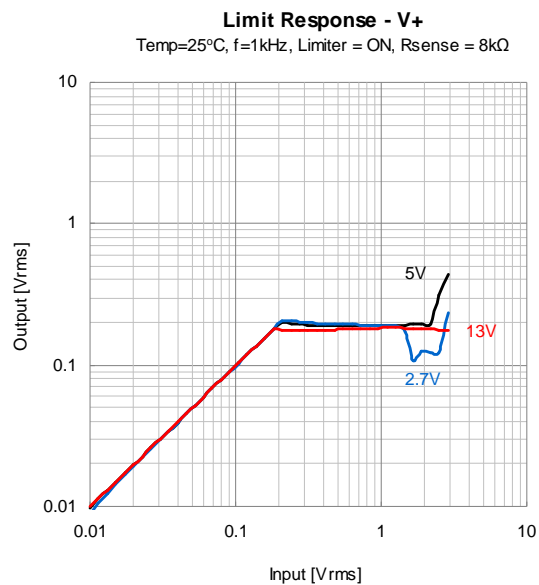
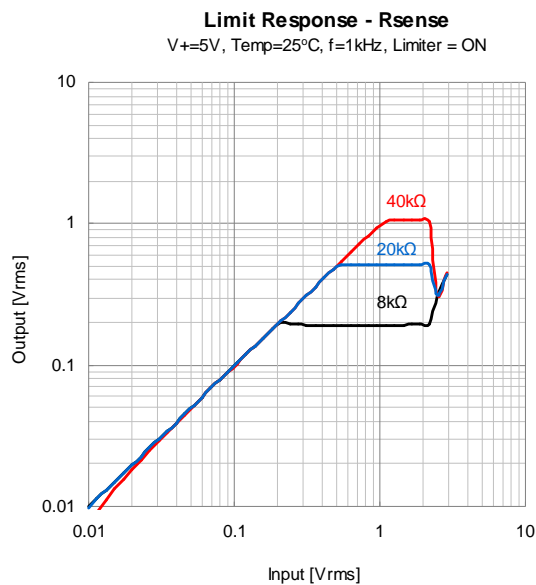
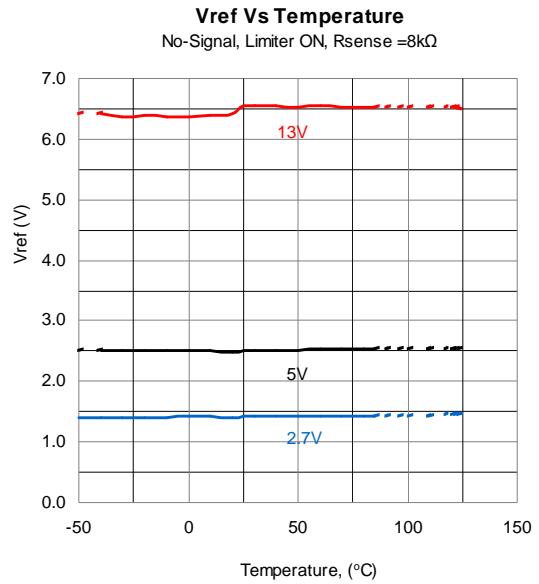
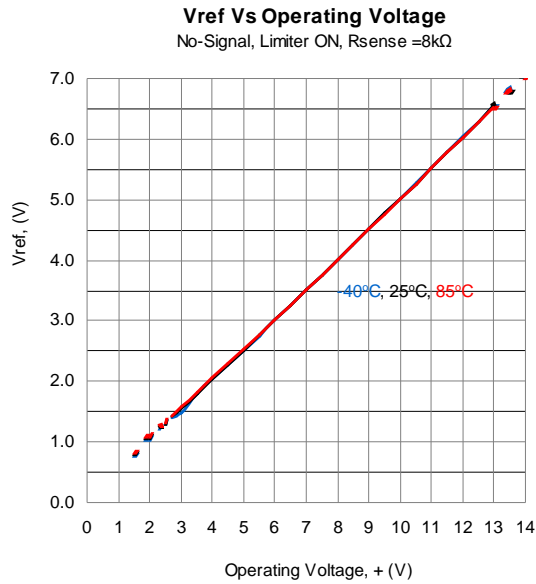
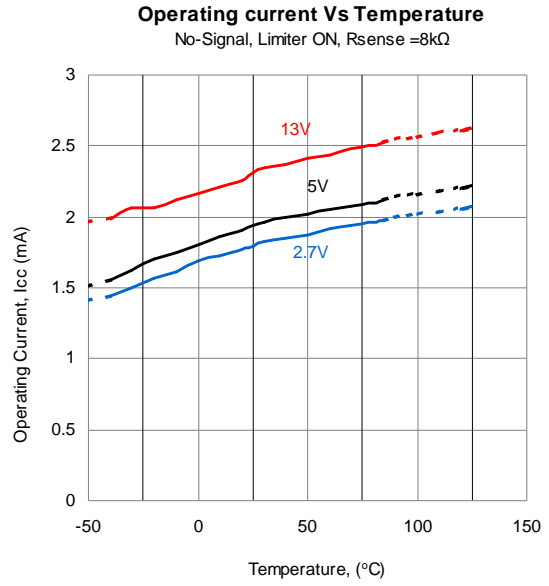
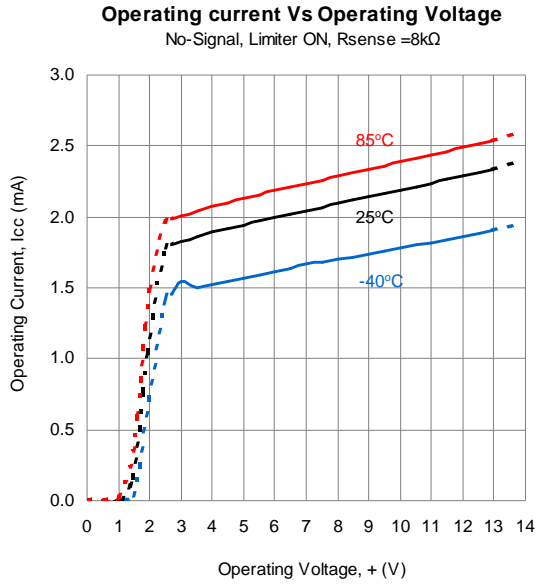
Terminal	SYMBOL	FUNCTION	EQUIVALENT CIRCUIT	VOLTAGE
1	VCC	Supply Voltage		VCC
2 9	OUTa OUTb	AC Output		VCC/2
3 8	INa INb	AC Input		VCC/2
4	INT	Smoothing Capacitor		-

NJM2762

■ TERMINAL DESCRIPTION (MSOP10)

Terminal	SYMBOL	FUNCTION	EQUIVALENT CIRCUIT	VOLTAGE
5	VREF	Reference Voltage		$V_{CC}/2$
6	SENSE	Preset Limit Level		$28\mu A \times R_{SENSE}$
7	SW	Limiter ON/OFF		0V

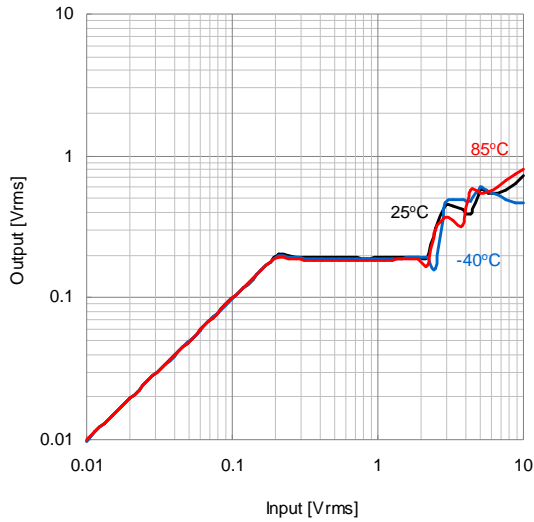
■ TYPICAL CHARACTERISTICS



TYPICAL CHARACTERISTICS

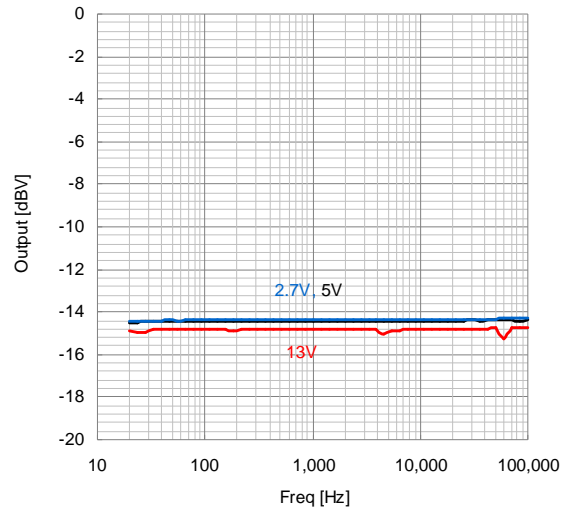
Limit Response - Temperature

V+=5V, f=1KHz, Limiter = ON, Rsense = 8kΩ



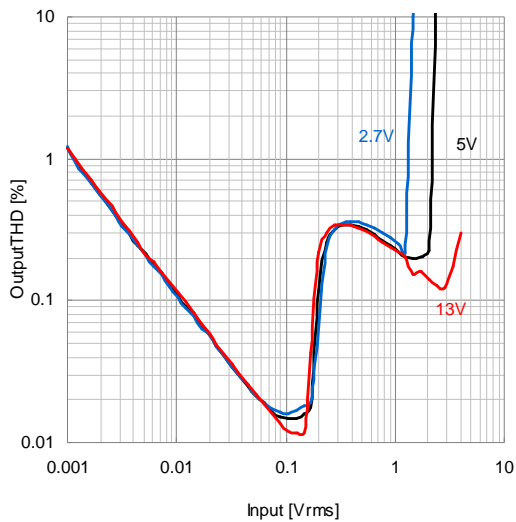
Freq Response - V+

Limiter = ON, Vin = 0dBV, Rsense = 8kΩ, Limit = 0.2Vrms



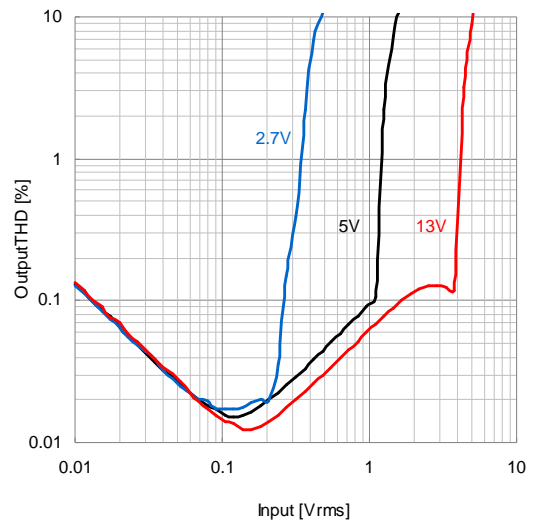
THD - V+

V+=5V, f=1KHz, Limiter = ON, Rsense = 8kΩ



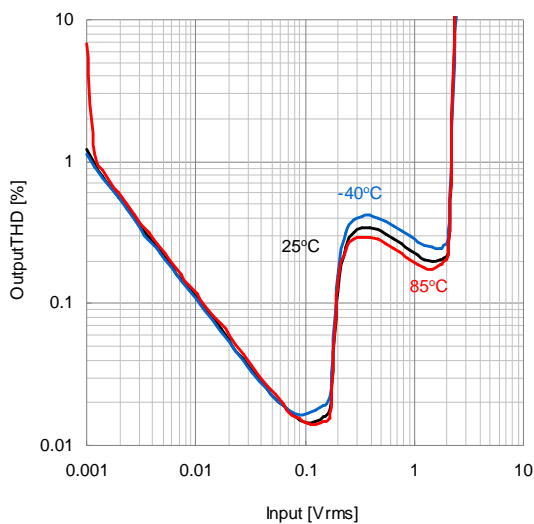
THD - V+

V+=5V, f=1KHz, Limiter = OFF, Rsense = 8kΩ



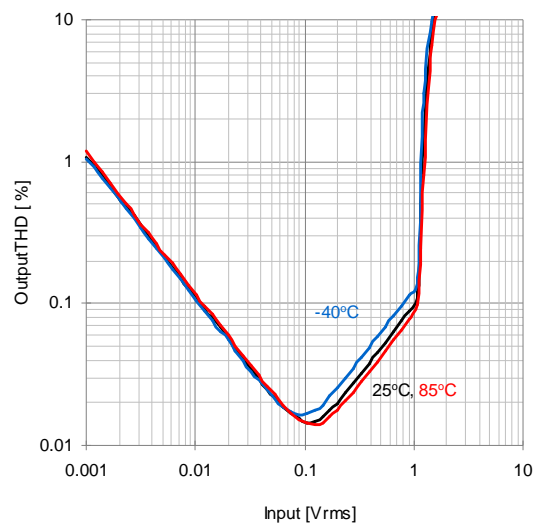
THD - Temperature

V+=5V, f=1KHz, Limiter = ON, Rsense = 8kΩ

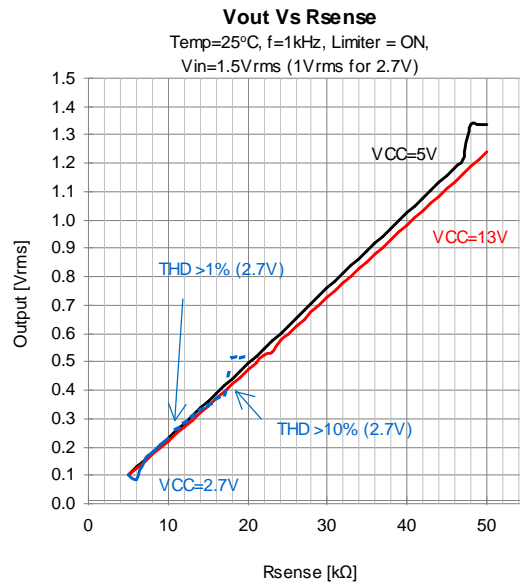
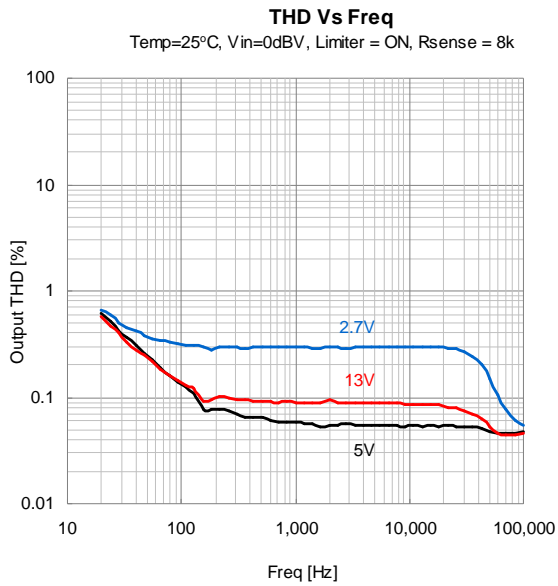


THD - Temperature

V+=5V, f=1KHz, Limiter = OFF, Rsense = 8kΩ



■ TYPICAL CHARACTERISTICS



[CAUTION]
The specifications on this databook are only given for information, without any guarantee as regards either mistakes or omissions. The application circuits in this databook are described only to show representative usages of the product and not intended for the guarantee or permission of any right including the industrial rights.

Mouser Electronics

Authorized Distributor

Click to View Pricing, Inventory, Delivery & Lifecycle Information:

[NJR:](#)

[NJM2762RB2-TE2](#)

Данный компонент на территории Российской Федерации

Вы можете приобрести в компании MosChip.

Для оперативного оформления запроса Вам необходимо перейти по данной ссылке:

<http://moschip.ru/get-element>

Вы можете разместить у нас заказ для любого Вашего проекта, будь то серийное производство или разработка единичного прибора.

В нашем ассортименте представлены ведущие мировые производители активных и пассивных электронных компонентов.

Нашей специализацией является поставка электронной компонентной базы двойного назначения, продукции таких производителей как XILINX, Intel (ex.ALTERA), Vicor, Microchip, Texas Instruments, Analog Devices, Mini-Circuits, Amphenol, Glenair.

Сотрудничество с глобальными дистрибьюторами электронных компонентов, предоставляет возможность заказывать и получать с международных складов практически любой перечень компонентов в оптимальные для Вас сроки.

На всех этапах разработки и производства наши партнеры могут получить квалифицированную поддержку опытных инженеров.

Система менеджмента качества компании отвечает требованиям в соответствии с ГОСТ Р ИСО 9001, ГОСТ РВ 0015-002 и ЭС РД 009

Офис по работе с юридическими лицами:

105318, г.Москва, ул.Щербаковская д.3, офис 1107, 1118, ДЦ «Щербаковский»

Телефон: +7 495 668-12-70 (многоканальный)

Факс: +7 495 668-12-70 (доб.304)

E-mail: info@moschip.ru

Skype отдела продаж:

moschip.ru

moschip.ru_4

moschip.ru_6

moschip.ru_9