

# NB4N441

## 3.3V Serial Input MultiProtocol PLL Clock Synthesizer, Differential LVPECL Output



ON Semiconductor®

<http://onsemi.com>

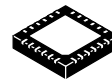
### Description

The NB4N441 is a precision clock synthesizer which generates a differential LVPECL clock output frequency from 12.5 MHz to 425 MHz. A Serial Peripheral Interface (SPI) is used to configure the device to produce one of sixteen popular standard protocol output frequencies from a single 27 MHz crystal reference. The NB4N441 also has the added feature of allowing application specific output frequencies from 12.5 MHz to 425 MHz using crystals within the range of 10 MHz to 28 MHz.

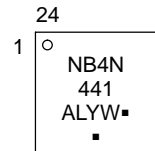
### Features

- Performs Precision Clock Generation and Synthesis from a Single 27 MHz Crystal Reference
- Serial Load Capability for Proprietary Frequencies
- Flexible Input Allows for External Clock Reference
- Exceeds Bellcore and ITU Jitter Generation Specification
- PLL Lock Detect Output
- Output Enable
- Fully Integrated Phase-Lock-Loop with Internal Loop Filter
- Operating Range:  $V_{CC} = 3.135\text{ V to }3.465\text{ V}$
- Small Footprint 24 Pin QFN
- These are Pb-Free Devices\*

### MARKING DIAGRAM\*



QFN-24  
MN SUFFIX  
CASE 485L



- A = Assembly Location
  - L = Wafer Lot
  - Y = Year
  - W = Work Week
  - = Pb-Free Package
- (Note: Microdot may be in either location)

\*For additional marking information, refer to Application Note AND8002/D.

### ORDERING INFORMATION

See detailed ordering and shipping information in the package dimensions section on page 11 of this data sheet.

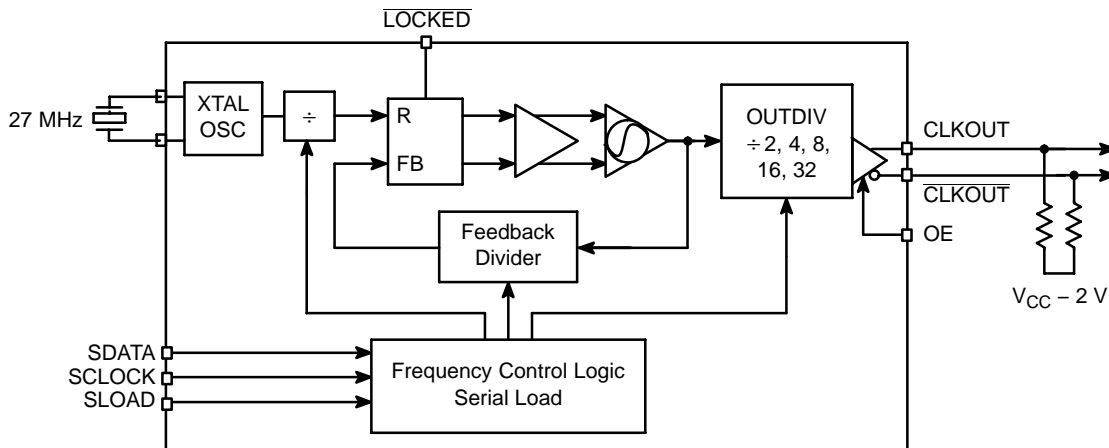


Figure 1. Simplified Block Diagram

\*For additional information on our Pb-Free strategy and soldering details, please download the ON Semiconductor Soldering and Mounting Techniques Reference Manual, SOLDERRM/D.

# NB4N441

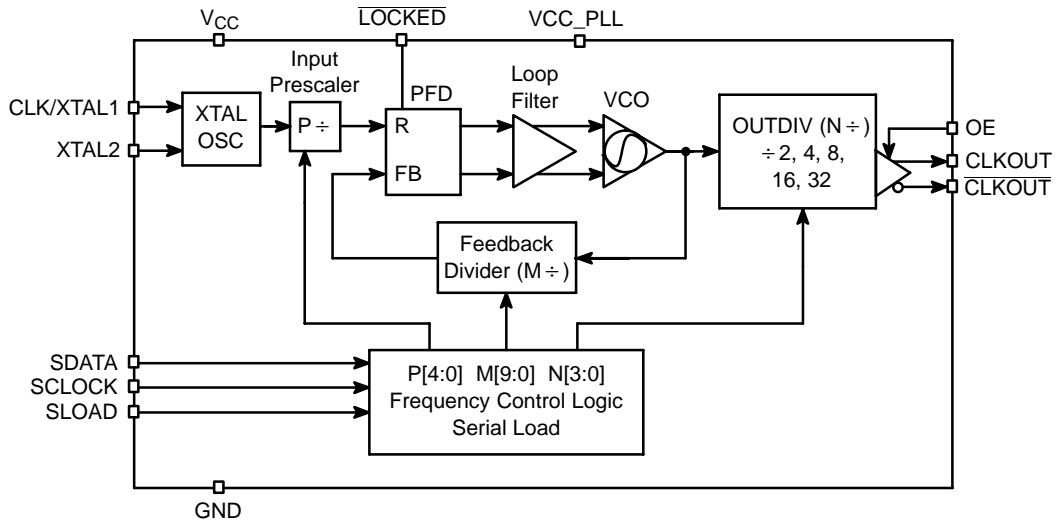


Figure 2. Block Diagram

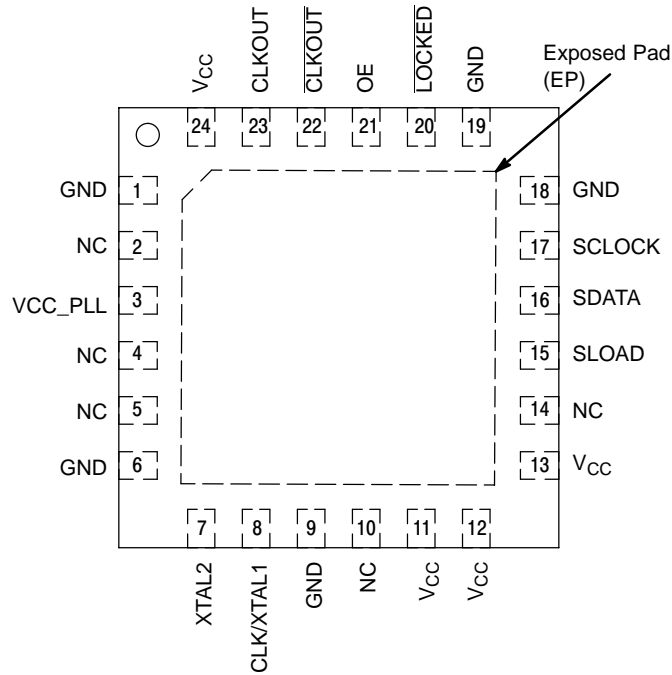


Figure 3. QFN-24 Lead Pinout (Top View)

# NB4N441

**Table 1. PIN DESCRIPTION**

Pin	Name	I/O	Description
11, 12, 13, 24	V <sub>CC</sub>	Power Supply	Positive supply voltage.
3	V <sub>CC</sub> _PLL	PLL Power Supply	Positive supply voltage for the PLL.
1, 6, 9, 18, 19	GND	Ground	Ground.
20	LOCKED	LVTTTL Lock Output	When Low, this output provides indication that the PLL is locked and the device is in proper operating mode. When High, the PLL is out of lock.
2, 4, 5, 10, 14	NC		No Connect.
8	CLK / XTAL1,	LVTTTL/LVCMOS Single Ended Clock or XTAL Inputs	The crystal is connected between the XTAL1 and XTAL2 pin. If driving single-ended, use XTAL1 and leave XTAL2 floating.
7	XTAL2		
15	SLOAD**	LVTTTL / LVCMOS, Serial Load Input	Serial Load.
16	SDATA**	LVTTTL / LVCMOS Serial Data Input	Serial Data Input.
17	SCLOCK**	LVTTTL / LVCMOS Serial Clock Input	Serial Clock Input.
21	OE*	LVTTTL Input	Synchronous Output Enable. When OE is HIGH or left OPEN, the outputs are enabled. When OE is LOW, the outputs are disabled.
22, 23	CLKOUT CLKOUT	LVPECL Output	Differential LVPECL Clock Outputs, Typically terminated with 50 Ω resistor to V <sub>CC</sub> – 2.0 V.
	EP		The Exposed Pad on the 24 pin QFN package bottom is thermally connected to the die for improved heat transfer out of package. The pad is not electrically connected to the die, but is recommended to be electrically connected to GND on the PC board.

\*Pins will default HIGH when left Open

\*\*Pins will default LOW when left Open

# NB4N441

**Table 2. STANDARD PROTOCOL / OUTPUT FREQUENCY SELECT TABLE WITH 27 MHz CRYSTAL REFERENCE**

#	Protocol	CLKOUT (MHz)	Input Prescaler Divider P[4:0]	PLL FB Divider M[9:0]	Output Frequency Divider OUTDIV N[2:0]
0	OC-3 / STM-1	155.52	11001	1001000000	010
0	OC-12 / STM-4	155.52	11001	1001000000	010
0	OC-48 / STM-16	155.52	11001	1001000000	010
1	ETR	32	11011	1000000000	100
2	OC-1	51.84	11001	1100000000	100
3	Fast Ethernet	50	11011	1100100000	100
3	ESCON	50	11011	1100100000	100
4	FDDI	125	11011	0111110100	010
4	Infiniband	125	11011	0111110100	010
4	Gigabit Ethernet	125	11011	0111110100	010
4	PCIe	125	11011	0111110100	010
5	1/8 Fibre Channel	13.28125	11011	0110101001	101
6	1/4 Fibre Channel	26.5625	11011	1101010010	101
7	1/2 Fibre Channel	53.125	11011	1101010010	100
8	Fibre Channel	106.25	11011	1101010010	011
9	General	150	11011	1001011000	010
10	D1 Video	69	11011	1000101000	011
11	SONET Reference	19.44	11001	1001000000	101
12	2x Fibre Channel	212.5	11011	1101010010	010
13	4x Fibre Channel	425	11011	1101010010	001
14	XAUI	156.25	11011	1001110001	010
15	Serial ATA	100	11011	1100100000	011
16	HDTV	74.25	11011	1001010010	011
17	HDTV	148.50	11011	1001010010	010

**Table 3. N-DIVIDER TABLE**

N2	N1	N0	N Divider
0	0	0	na
0	0	1	÷ 2
0	1	0	÷ 4
0	1	1	÷ 8
1	0	0	÷ 16
1	0	1	÷ 32
1	1	0	na
1	1	1	na

# NB4N441

**Table 4. ATTRIBUTES**

Characteristics		Value
Internal Input Pullup Resistor		37.5kΩ
Internal Input Pulldown Resistor		75kΩ
ESD Protection	Human Body Model Machine Model	> 1000 V > 150 V
Moisture Sensitivity (Note 1)		Level 1
Flammability Rating	Oxygen Index: 28 to 34	UL 94 V-0 @ 0.125 in
Transistor Count		2102
Meets or exceeds JEDEC Spec EIA/JESD78 IC Latchup Test		

1. For additional information, see Application Note AND8003/D.

**Table 5. MAXIMUM RATINGS** (Note 2)

Symbol	Parameter	Condition 1	Condition 2	Rating	Unit
V <sub>CC</sub>	Positive Power Supply	GND = 0 V		3.6	V
V <sub>I</sub>	Input Voltage	GND = 0 V	GND = V <sub>I</sub> = V <sub>CC</sub>	3.6	V
I <sub>out</sub>	LVPECL Output Current	Continuous Surge		50 100	mA mA
T <sub>A</sub>	Operating Temperature Range	QFN-24		-40 to +85	°C
T <sub>stg</sub>	Storage Temperature Range			-65 to +150	°C
θ <sub>JA</sub>	Thermal Resistance (Junction-to-Ambient) (Note 3)	0 lfpm 500 lfpm	QFN-24 QFN-24		°C/W °C/W
θ <sub>JC</sub>	Thermal Resistance (Junction-to-Case)	2S2P (Note 3)	QFN-24		°C/W
T <sub>sol</sub>	Wave Solder	< 3 sec @ 260°C		265	°C

Stresses exceeding Maximum Ratings may damage the device. Maximum Ratings are stress ratings only. Functional operation above the Recommended Operating Conditions is not implied. Extended exposure to stresses above the Recommended Operating Conditions may affect device reliability.

2. Maximum Ratings are those values beyond which device damage may occur.
3. JEDEC standard multilayer board – 2S2P (2 signal, 2 power).

# NB4N441

**Table 6. DC CHARACTERISTICS**  $V_{CC} = 3.135\text{ V to }3.465\text{ V}$ ,  $GND = 0\text{ V}$ ,  $T_A = -40^\circ\text{C to }+85^\circ\text{C}$

Symbol	Characteristic	Min	Typ	Max	Unit
$I_{CC}$	Power Supply Current (Inputs and Outputs Loaded)	50	70	90	mA
$I_{CCPLL}$	PLL Power Supply Current	10	20	30	mA
$V_{OH}$	LVPECL Output HIGH Voltage (Notes 4 and 5) $V_{CC} = 3.3\text{ V}$	$V_{CC} - 1145$ 2155	$V_{CC} - 1030$ 2270	$V_{CC} - 895$ 2405	mV
$V_{OL}$	LVPECL Output LOW Voltage (Notes 4 and 5) $V_{CC} = 3.3\text{ V}$	$V_{CC} - 1945$ 1355	$V_{CC} - 1760$ 1540	$V_{CC} - 1695$ 1605	mV
$V_{OHTTL}$	Output HIGH Voltage ( $\overline{\text{LOCKED}}$ Pin) $I_{OH} = -0.8\text{ mA}$	2.5		$V_{CC}$	V
$V_{OLTTL}$	Output LOW Voltage ( $\overline{\text{LOCKED}}$ Pin)	GND		0.4	V
$V_{IH}$	Input HIGH Voltage (LVTTTL/LVCMOS)	2.0		$V_{CC}$	V
$V_{IL}$	Input LOW Voltage (LVTTTL/LVCMOS)	GND		0.8	V
$I_{IH}$	Input HIGH Current, OE SCLK, SDATA, SLOAD OE, SCLK, SDATA, SLOAD	$V_{IN} = 2.7\text{ V}, V_{CCmax}$	6.0	26	$\mu\text{A}$
		$V_{IN} = 2.7\text{ V}, V_{CCmax}$	20	60	$\mu\text{A}$
		$V_{IN} = V_{CC}, V_{CCmax}$	20	60	$\mu\text{A}$
$I_{IL}$	Input LOW Current $V_{IN} = 0.5\text{ V}, V_{CCmax}$			10	$\mu\text{A}$

NOTE: Device will meet the specifications after thermal equilibrium has been established when mounted in a test socket or printed circuit board with maintained transverse airflow greater than 500 lfm. Electrical parameters are guaranteed only over the declared operating temperature range. Functional operation of the device exceeding these conditions is not implied. Device specification limit values are applied individually under normal operating conditions and not valid simultaneously.

4. LVPECL Outputs loaded with  $50\ \Omega$  termination resistors to  $V_{TT} = V_{CC} - 2.0\text{ V}$  for proper operation.
5. LVPECL Output parameters vary 1:1 with  $V_{CC}$ .

**Table 7. AC CHARACTERISTICS**  $V_{CC} = 3.135\text{ V to }3.465\text{ V}$ ,  $GND = 0\text{ V}$ ,  $T_A = -40^\circ\text{C to }+85^\circ\text{C}$  (Note 6)

Symbol	Characteristic	Min	Typ	Max	Unit
$f_{IN}$	Crystal Input Frequency External CLOCK Input Frequency (Pin 8) SCLOCK	10	27 27	28 50 10	MHz
$V_{OUTPP}$	Output Voltage Amplitude	600	800		mV
$f_{VCO}$	VCO Frequency Range	400		850	MHz
$f_{CLKOUT}$	Output Clock Frequency Range	12.5		425	MHz
$t_{R}/t_{F\_IN}$	Input Clock Rise and Fall Time (CLK, Pin 8) (Note 7)			10	ns
$t_{LOCK}$	Maximum PLL Lock Time		0.5	5	ms
DCO	Output CLOCK Duty Cycle (Differential Configuration)	48		52	%
$t_{JITTER(pd)}$	Period Jitter (RMS, $1\sigma$ , 10,000 Cycles) (Notes 8 and 9)		3.5	6.5	ps
$t_{JITTER(pd)}$	Period Jitter (Peak-to-Peak, 10,000 Cycles) (Note 9)		25	40	ps
$t_s$	Setup Time SDATA to SCLOCK SCLOCK to SLOAD	20			ns
		20			ns
$t_h$	Hold Time SDATA to SCLOCK SCLOCK to SLOAD	20			ns
		20			ns
$t_{pwmin}$	Minimum Pulse Width SLOAD	20			ns
$t_r, t_f$	Output Rise/Fall Times (Note 7) CLKOUT / CLKOUT	175	300	425	ps

NOTE: Device will meet the specifications after thermal equilibrium has been established when mounted in a test socket or printed circuit board with maintained transverse airflow greater than 500 lfm. Electrical parameters are guaranteed only over the declared operating temperature range. Functional operation of the device exceeding these conditions is not implied. Device specification limit values are applied individually under normal operating conditions and not valid simultaneously.

6. LVPECL Outputs loaded with  $50\ \Omega$  to  $V_{CC} - 2.0\text{ V}$ .
7. Measured 20% to 80%
8. Additive RMS jitter with 50% duty cycle input clock signal at 27.000 MHz;  $f_{OUT} = 155\text{ MHz}$ .
9.  $f_{OUT} = 155\text{ MHz}$ . Protocol 13.28125 MHz will have typical period jitter (RMS) of 14 ps and a typical cycle-to-cycle jitter of 95 ps.

APPLICATIONS INFORMATION

**General**

The NB4N441 is a precision clock synthesizer which generates a differential LVPECL clock output frequency from 12.5 MHz to 425 MHz. A three-wire SPI interface is used to configure the device to produce the exact frequency of one of sixteen predefined popular standard protocol output frequencies from a single 27 MHz crystal reference; see Table 1. This serial interface gives the user complete control of each internal counter/divider.

If a different or custom output frequency is required, the SPI interface can also enable the user to configure the device for frequencies not specified in Table 1.

**Input Clock / Crystal Functionality**

To generate the exact protocol frequencies in Table 1, a 27.000 MHz frequency source is required. This can be accomplished by connecting a 27.000 MHz crystal across the XTAL1 and XTAL2 pins. If driving single ended, use the XTAL1 pin and leave XTAL2 floating. The CLK/XTAL1 input will accept a LVTTTL/LVCMOS input.

**Frequency Control Logic Configuration**

The NB4N441 includes a 5-bit input prescaler, a 10-bit divider for the PLL feedback path and a 3-bit Output Divider, which divides the VCO frequency by 2, 4, 8, 16, or 32. The Frequency Control Logic for the NB4N441 configures these dividers and counters through the Serial inputs and will select one of the sixteen predetermined clock frequencies in Table 1. The serial interface can also be used to configure the device for user specified custom frequencies not specified in Table 1. Output frequencies are generated based on the following equation:  $F_{OUT} = (F_{xtal}/P) * M \div N$ , with the stipulation that the internal VCO frequency be  $400 \text{ MHz} < VCO < 850 \text{ MHz}$  with  $VCO = F_{OUT} * N$  and  $10 \text{ MHz} < F_{xtal} < 28 \text{ MHz}$ .

**Output Enable**

The NB4N441 incorporates a synchronous output Disable/Enable pin, OE. The synchronous output enable pin insures no runt clock pulses are generated. When disabled, CLKOUT is set LOW and CLKOUT is set HIGH.

**Table 8. Table 8. Output Enable Function**

OE	Function
1	Clock Outputs Enabled
0	Clock Outputs Disabled CLKOUT = L, CLKOUT = H

**Lock Detect Functionality**

The NB4N441 features a PLL Lock Detect function which indicates the locked status of the PLL. When the PLL is locked, the LOCKED output pin asserts a logic Low. When the internal phase lock is lost (such as when the input clock stops, drifts beyond the pullable range of the crystal, or suddenly shifts in phase), the LOCKED output goes High.

**Table 9. Table 9. Lock Detect Function**

LOCKED	Function
0	PLL is Locked
1	PLL is not Locked

**Using the On-Board Crystal Oscillator**

The NB4N441 features a fully integrated on-board crystal oscillator to minimize system implementation costs.

The crystal should be fundamental mode, parallel resonant. For exact tuning of crystal frequency, capacitors should be connected from pins X1 and X2. Typical loading should be on the order of 20 pF to 30 pF (on each crystal input pin). As the oscillator is somewhat sensitive to loading on its inputs, the user is advised to mount the crystal as close to the NB4N441 as possible to avoid any board level parasitic effects. To facilitate collocation, surface mount crystals are recommended, but not required.

**Table 10. CRYSTAL SPECIFICATIONS**

Parameter	Value
Crystal Cut	Fundamental AT Cut
Resonance	Parallel Resonance
Load Capacitance	18 pF
Frequency Tolerance	±15 ppm at 25°C
Frequency/Temperature Stability	±20 ppm 0 to 70°C
Operating Range	0 to 70°C or -40 to +85°C
Shunt Capacitance	5 pF Max
Equivalent Series Resistance (ESR)	50 Ω Max
Correlation Drive Level	1.0 μW Max
Aging	5 ppm / Yr (First 3 Years) 15 ppm / 10 Yrs

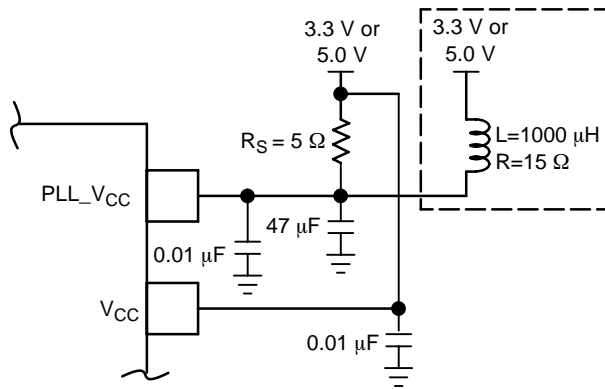


Figure 4. Power Supply Filter

**Power Supply Filtering**

The NB4N441 is a mixed analog/digital product and as such, it exhibits some sensitivities that would not necessarily be seen on a fully digital product. Analog circuitry is naturally susceptible to random noise, especially if this noise is seen on the power supply pins. The NB4N441 provides separate power supplies for the digital circuitry (VCC) and the internal PLL (PLL\_VCC) of the device. The purpose of this design technique is to try and isolate the high switching noise of the digital outputs from the relatively sensitive internal analog phase-locked loop. In a controlled environment such as an evaluation board, this level of isolation is sufficient. However, in a digital system environment where it is more difficult to minimize noise on

the power supplies, a second level of isolation may be required. The simplest form of isolation is a power supply filter on the PLL\_VCC Pin for the NB4N441. Figure 4 illustrates a typical power supply filter scheme. The NB4N441 is most susceptible to noise with spectral content in the 1 kHz to 1 MHz range. Therefore, the filter should be designed to target this range. The key parameter that needs to be met in the final filter design is the DC voltage drop that will be seen between the VCC supply and the PLL\_VCC pin of the NB4N441. From the data sheet, the PLL\_VCC current (the current sourced through the PLL\_VCC Pin) is typically 26 mA. Assuming that a minimum of 2.9 V must be maintained on the PLL\_VCC pin, very little DC voltage drop can be tolerated when a 3.3 V VCC supply is used. The resistor shown in Figure 4 must have a resistance of 5 Ω Max to meet the voltage drop criteria. The RC filter pictured will provide a broadband filter with approximately 100:1 attenuation for noise whose spectral content is above 20 kHz. As the noise frequency crosses the series resonant point of an individual capacitor, it's overall impedance begins to look inductive and thus increases with increasing frequency. The parallel capacitor combination shown ensures that a low impedance path to ground exists for frequencies well above the bandwidth of the PLL. The level of required filtering is subject to further optimization and simplification. All the VCC pins are connected to the same VCC plane. All the ground pins (GND) are connected to the same GND plane.



# NB4N441

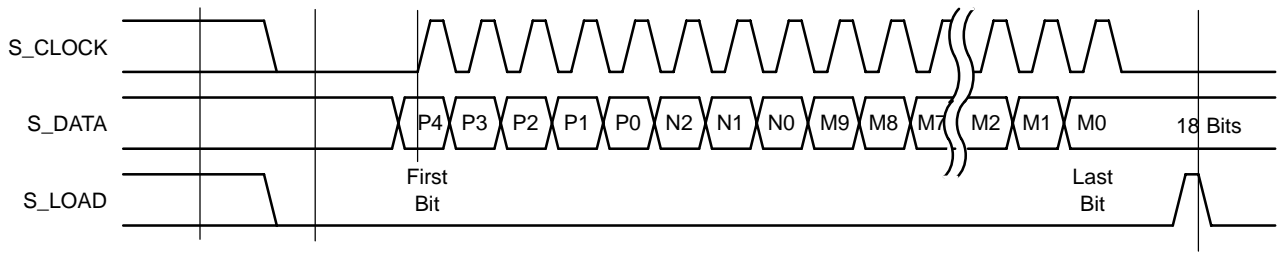


Figure 5. Serial Interface Timing Diagram

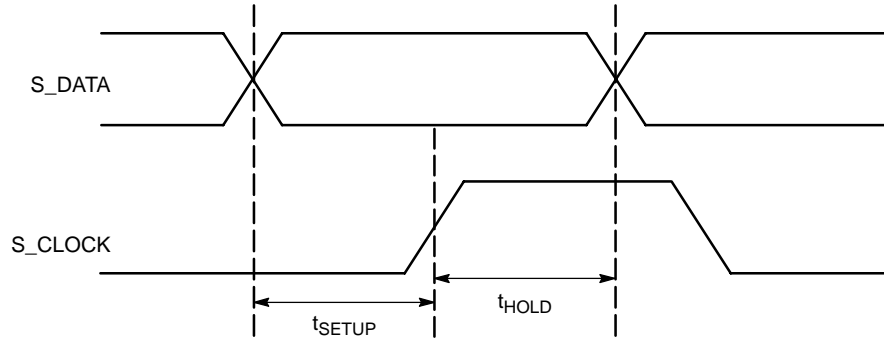


Figure 6. Setup and Hold

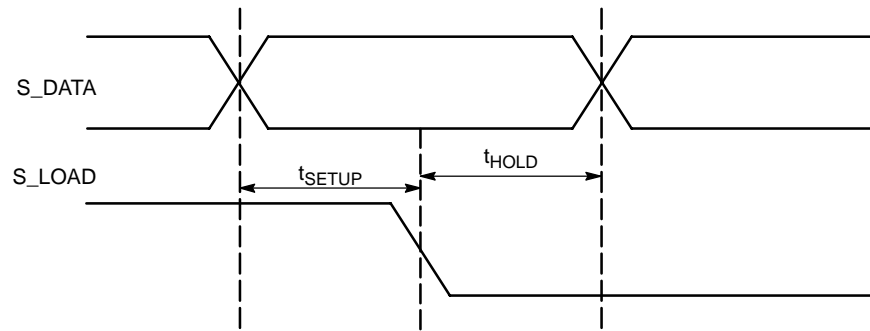
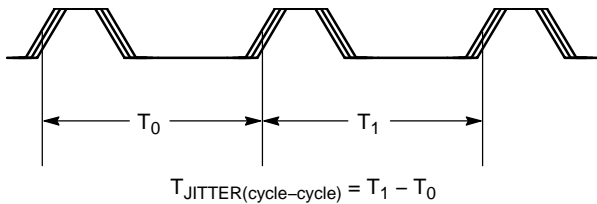


Figure 7. Setup and Hold

**Jitter Performance**

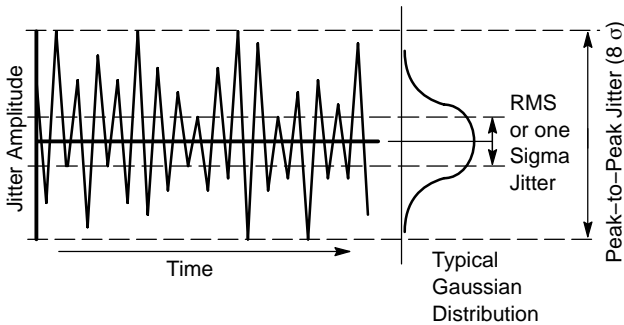
Jitter is a common parameter associated with clock generation and distribution. Clock jitter can be defined as the deviation in a clock’s output transition from its ideal position.

**Cycle-to-Cycle Jitter** (short-term) is the period variation between two adjacent cycles over a defined number of observed cycles. The number of cycles observed is application dependent but the JEDEC specification is 1000 cycles.



**Figure 8. Cycle-to-Cycle Jitter**

**Peak-to-Peak Jitter** is the difference between the highest and lowest acquired value and is represented as the width of the Gaussian base.



**Figure 9. Peak-to-Peak Jitter**

There are different ways to measure jitter and often they are confused with one another. The typical method of measuring jitter is to look at the timing signal with an oscilloscope and observe the variations in period-to-period

or cycle-to-cycle. If the scope is set up to trigger on every rising or falling edge, set to infinite persistence mode and allowed to trace sufficient cycles, it is possible to determine the maximum and minimum periods of the timing signal. Digital scopes can accumulate a large number of cycles, create a histogram of the edge placements and record peak-to-peak as well as standard deviations of the jitter. Care must be taken that the measured edge is the edge immediately following the trigger edge. These scopes can also store a finite number of period durations and post-processing software can analyze the data to find the maximum and minimum periods.

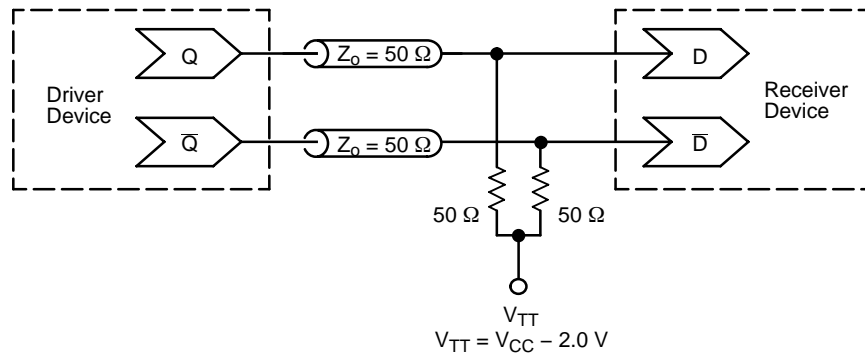
Recent hardware and software developments have resulted in advanced jitter measurement techniques. The Tektronix TDS-series oscilloscopes have superb jitter analysis capabilities on non-contiguous clocks with their histogram and statistics capabilities. The Tektronix TDSJIT2/3 Jitter Analysis software provides many key timing parameter measurements and will extend that capability by making jitter measurements on contiguous clock and data cycles from single-shot acquisitions.

M1 by Amherst was used as well and both test methods correlated.

**Long-Term Period Jitter** is the maximum jitter observed at the end of a period’s edge when compared to the position of the perfect reference clock’s edge and is specified by the number of cycles over which the jitter is measured. The number of cycles used to look for the maximum jitter varies by application but the JEDEC spec is 10,000 observed cycles.

The NBC4N441 exhibit long term and cycle-to-cycle jitter, which rivals that of SAW based oscillators. This jitter performance comes with the added flexibility associated with a synthesizer over a fixed frequency oscillator. The jitter data presented should provide users with enough information to determine the effect on their overall timing budget. The jitter performance meets the needs of most system designs while adding the flexibility of frequency margining and field upgrades. These features are not available with a fixed frequency SAW oscillator.

## NB4N441



**Figure 10. Typical Termination for Output Driver and Device Evaluation  
(See Application Note AND8020/D – Termination of ECL Logic Devices.)**

### ORDERING INFORMATION

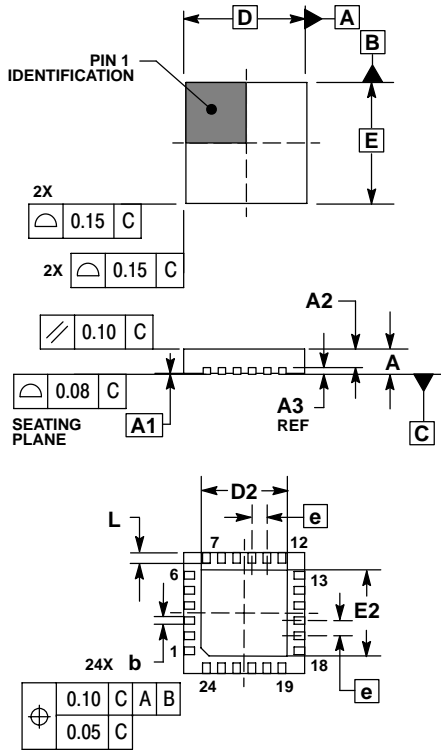
Device	Package	Shipping <sup>†</sup>
NB4N441MNG	QFN-24 (Pb-Free)	92 Units / Rail
NB4N441MNR2G	QFN-24 (Pb-Free)	3000 / Tape & Reel

<sup>†</sup>For information on tape and reel specifications, including part orientation and tape sizes, please refer to our Tape and Reel Packaging Specifications Brochure, BRD8011/D.

# NB4N441

## PACKAGE DIMENSIONS

**QFN 24**  
**MN SUFFIX**  
 24 PIN QFN, 4x4  
 CASE 485L-01  
 ISSUE 0



### NOTES:

1. DIMENSIONING AND TOLERANCING PER ASME Y14.5M, 1994.
2. CONTROLLING DIMENSION: MILLIMETERS.
3. DIMENSION b APPLIES TO PLATED TERMINAL AND IS MEASURED BETWEEN 0.25 AND 0.30 MM FROM TERMINAL.
4. COPLANARITY APPLIES TO THE EXPOSED PAD AS WELL AS THE TERMINALS.

DIM	MILLIMETERS	
	MIN	MAX
A	0.80	1.00
A1	0.00	0.05
A2	0.60	0.80
A3	0.20	REF
b	0.23	0.28
D	4.00	BSC
D2	2.70	2.90
E	4.00	BSC
E2	2.70	2.90
e	0.50	BSC
L	0.35	0.45

**ON Semiconductor** and **ON** are registered trademarks of Semiconductor Components Industries, LLC (SCILLC). SCILLC reserves the right to make changes without further notice to any products herein. SCILLC makes no warranty, representation or guarantee regarding the suitability of its products for any particular purpose, nor does SCILLC assume any liability arising out of the application or use of any product or circuit, and specifically disclaims any and all liability, including without limitation special, consequential or incidental damages. "Typical" parameters which may be provided in SCILLC data sheets and/or specifications can and do vary in different applications and actual performance may vary over time. All operating parameters, including "Typicals" must be validated for each customer application by customer's technical experts. SCILLC does not convey any license under its patent rights nor the rights of others. SCILLC products are not designed, intended, or authorized for use as components in systems intended for surgical implant into the body, or other applications intended to support or sustain life, or for any other application in which the failure of the SCILLC product could create a situation where personal injury or death may occur. Should Buyer purchase or use SCILLC products for any such unintended or unauthorized application, Buyer shall indemnify and hold SCILLC and its officers, employees, subsidiaries, affiliates, and distributors harmless against all claims, costs, damages, and expenses, and reasonable attorney fees arising out of, directly or indirectly, any claim of personal injury or death associated with such unintended or unauthorized use, even if such claim alleges that SCILLC was negligent regarding the design or manufacture of the part. SCILLC is an Equal Opportunity/Affirmative Action Employer. This literature is subject to all applicable copyright laws and is not for resale in any manner.

### PUBLICATION ORDERING INFORMATION

**LITERATURE FULFILLMENT:**  
 Literature Distribution Center for ON Semiconductor  
 P.O. Box 5163, Denver, Colorado 80217 USA  
**Phone:** 303-675-2175 or 800-344-3860 Toll Free USA/Canada  
**Fax:** 303-675-2176 or 800-344-3867 Toll Free USA/Canada  
**Email:** orderlit@onsemi.com

**N. American Technical Support:** 800-282-9855 Toll Free  
 USA/Canada  
**Europe, Middle East and Africa Technical Support:**  
 Phone: 421 33 790 2910  
**Japan Customer Focus Center**  
 Phone: 81-3-5773-3850

**ON Semiconductor Website:** [www.onsemi.com](http://www.onsemi.com)  
**Order Literature:** <http://www.onsemi.com/orderlit>

For additional information, please contact your local Sales Representative

## Данный компонент на территории Российской Федерации

### Вы можете приобрести в компании MosChip.

Для оперативного оформления запроса Вам необходимо перейти по данной ссылке:

<http://moschip.ru/get-element>

Вы можете разместить у нас заказ для любого Вашего проекта, будь то серийное производство или разработка единичного прибора.

В нашем ассортименте представлены ведущие мировые производители активных и пассивных электронных компонентов.

Нашей специализацией является поставка электронной компонентной базы двойного назначения, продукции таких производителей как XILINX, Intel (ex.ALTERA), Vicor, Microchip, Texas Instruments, Analog Devices, Mini-Circuits, Amphenol, Glenair.

Сотрудничество с глобальными дистрибьюторами электронных компонентов, предоставляет возможность заказывать и получать с международных складов практически любой перечень компонентов в оптимальные для Вас сроки.

На всех этапах разработки и производства наши партнеры могут получить квалифицированную поддержку опытных инженеров.

Система менеджмента качества компании отвечает требованиям в соответствии с ГОСТ Р ИСО 9001, ГОСТ РВ 0015-002 и ЭС РД 009

### Офис по работе с юридическими лицами:

105318, г.Москва, ул.Щербаковская д.3, офис 1107, 1118, ДЦ «Щербаковский»

Телефон: +7 495 668-12-70 (многоканальный)

Факс: +7 495 668-12-70 (доб.304)

E-mail: [info@moschip.ru](mailto:info@moschip.ru)

Skype отдела продаж:

moschip.ru

moschip.ru\_4

moschip.ru\_6

moschip.ru\_9