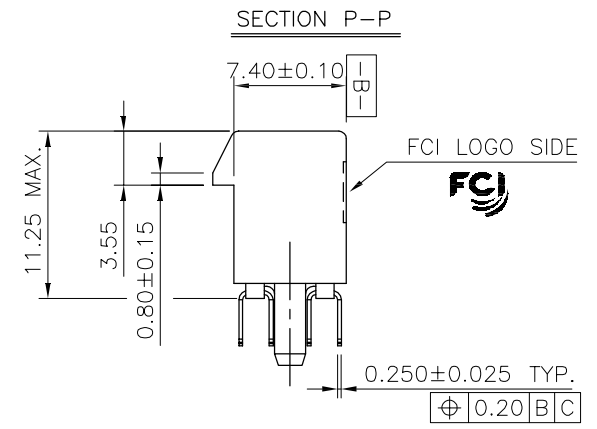
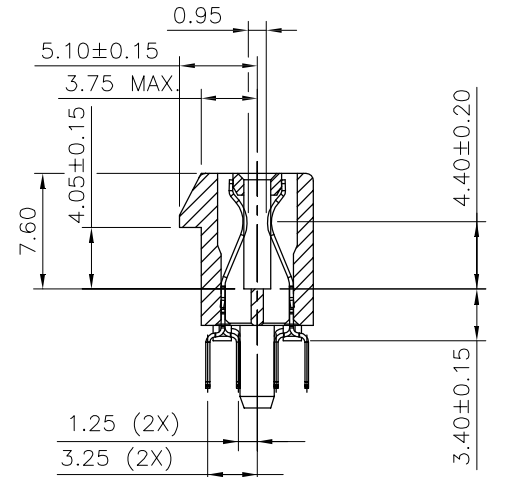
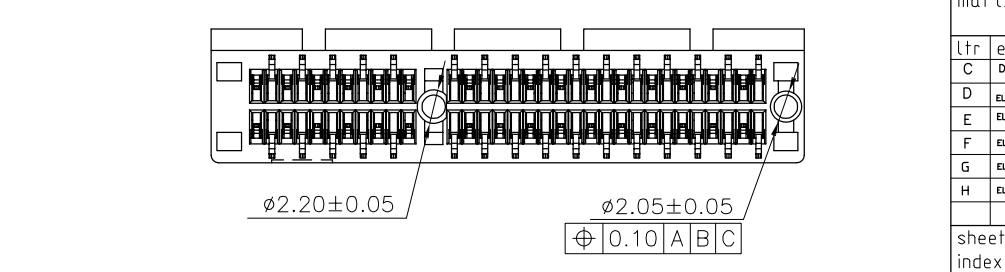
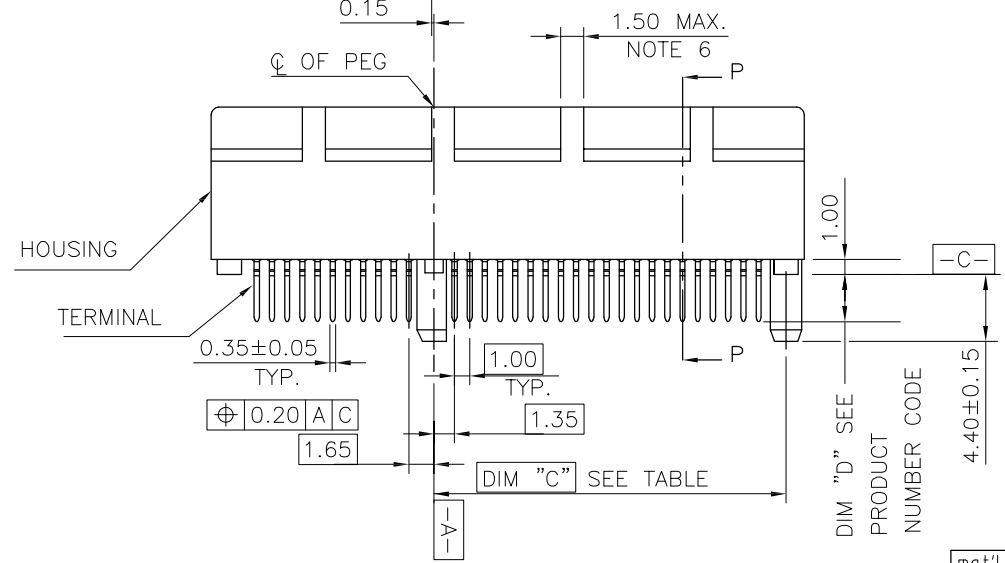
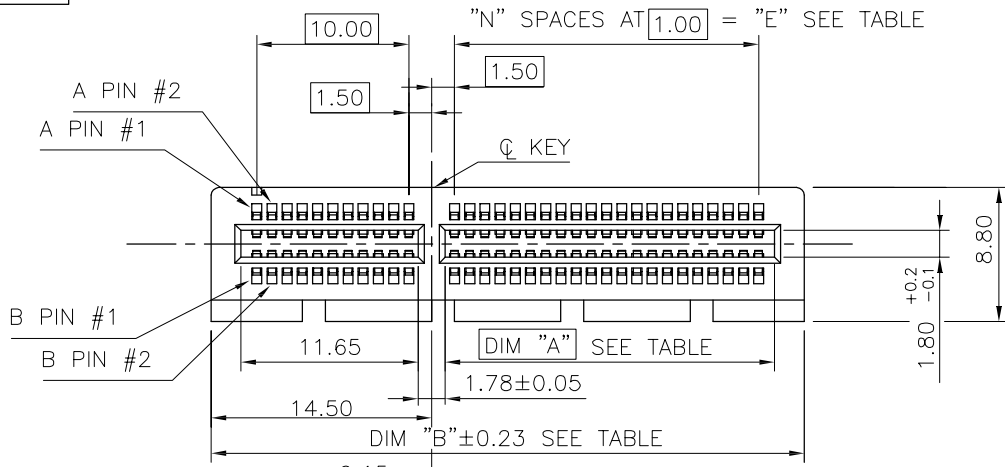


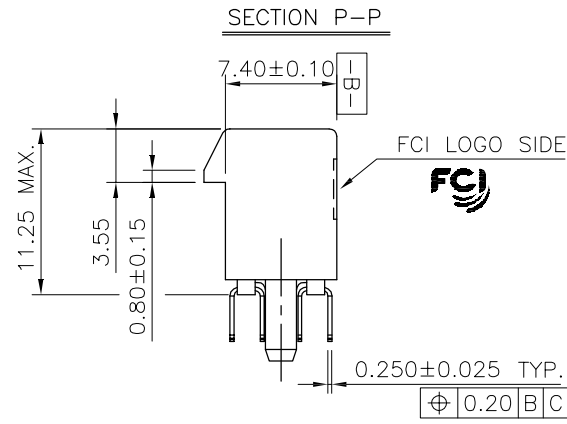
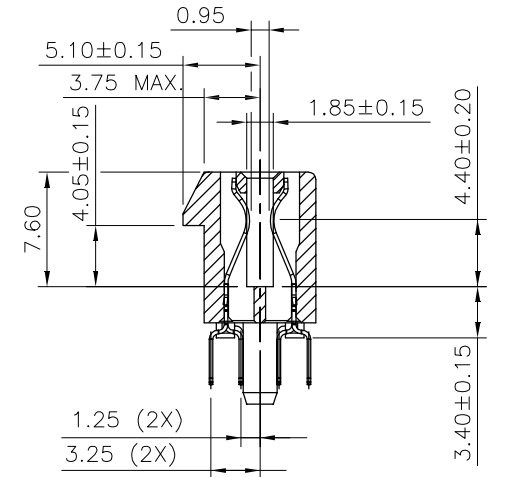
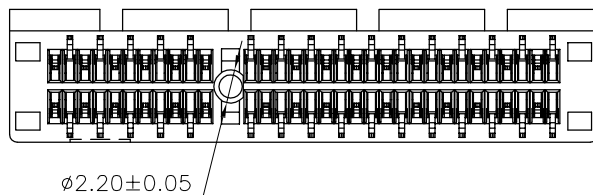
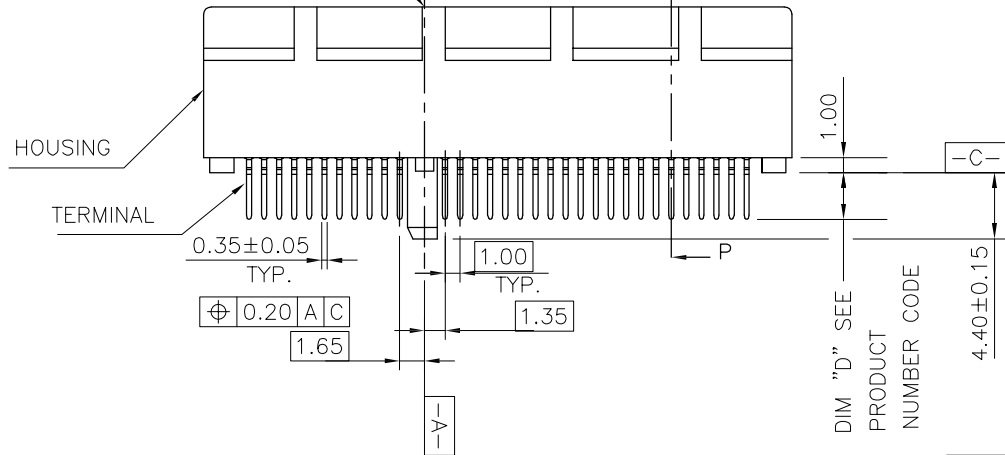
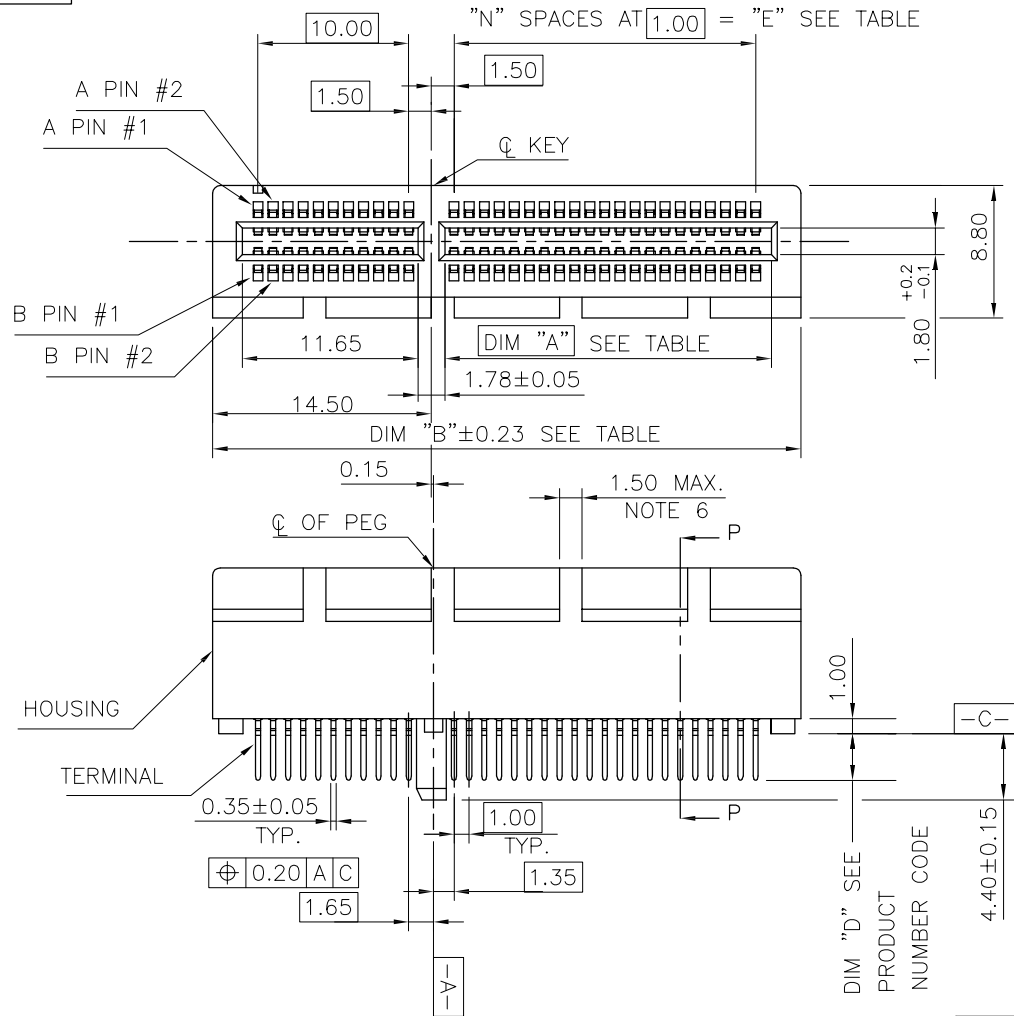
PRODUCT NO.  
10108777-X0XXXX



**TWIN PLASTIC PEG TYPE**

| mat'l. code        |               |                |          | surface                               | tolerance   | projection | product family             |  |  |
|--------------------|---------------|----------------|----------|---------------------------------------|-------------|------------|----------------------------|--|--|
| -                  |               |                |          | -                                     | ASME_Y14.5  |            | PCI_EXPRESS                |  |  |
| lfr ecn no dr date |               |                |          | tolerances unless otherwise specified |             |            | title                      |  |  |
| C                  | DG-011582     | HT             | 5/10/12  | angles                                | .02±0.30    | MM         | PCI_EXPRESS_CARD_EDGE_GEN3 |  |  |
| D                  | ELX-DG-013209 | WL             | 07/24/12 | Linear                                | .00±0.20    |            | TH_ASS'Y                   |  |  |
| E                  | ELX-DG-2181-1 | ST             | 05/27/15 | ±2'                                   | .000±0.10   | scale N/A  | dwg no sheet 1 of 7 size   |  |  |
| F                  | ELX-DG-24164  | ZH             | 05/30/16 | dr                                    | ZHENHUA_LIU | 2016-03-30 | 10108777 A4                |  |  |
| G                  | ELX-DG-25671  | ZH             | 12/18/16 | enfr                                  | ZHENHUA_LIU | 2016-03-30 | type CUSTOMER Drawing      |  |  |
| H                  | ELX-DG-27937  | ZH             | 09/12/17 | chr                                   | STONE_LI    | 2016-03-30 |                            |  |  |
| sheet index        |               | revision sheet |          | H                                     | appd        | PM_ZHENG   |                            |  |  |
| 2                  |               | 1              |          |                                       |             |            |                            |  |  |

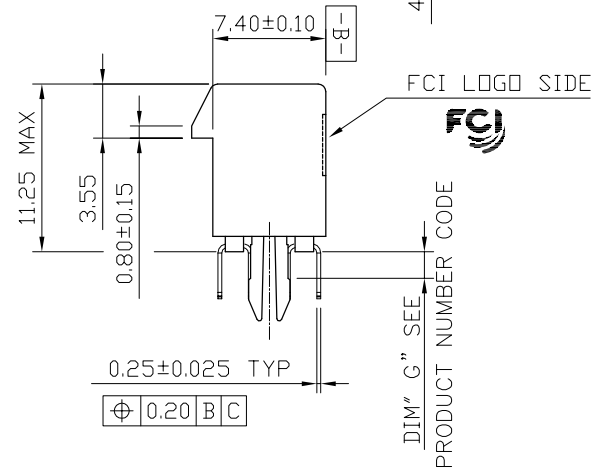
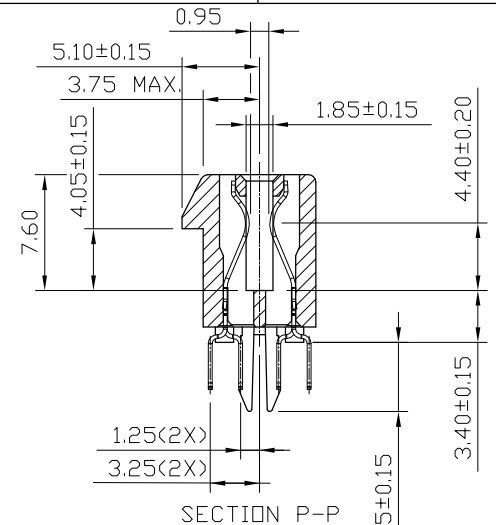
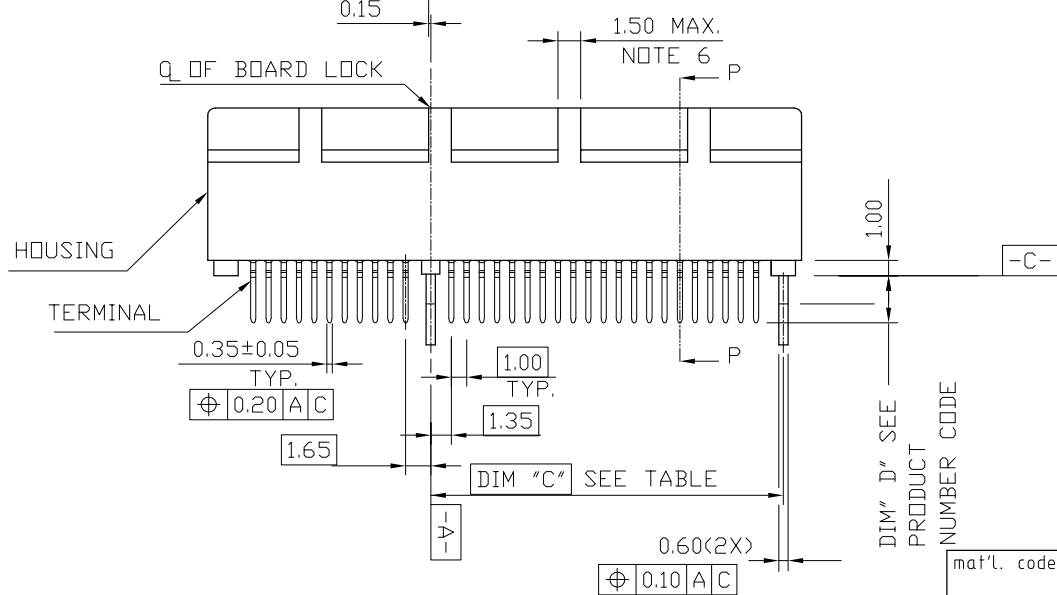
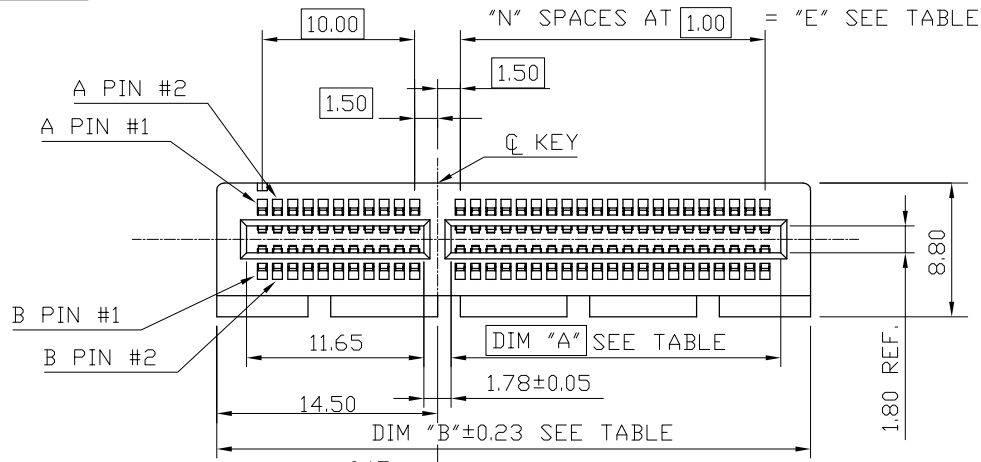
PRODUCT NO.  
10108777-X2XXXX



SINGLE PLASTIC PEG TYPE

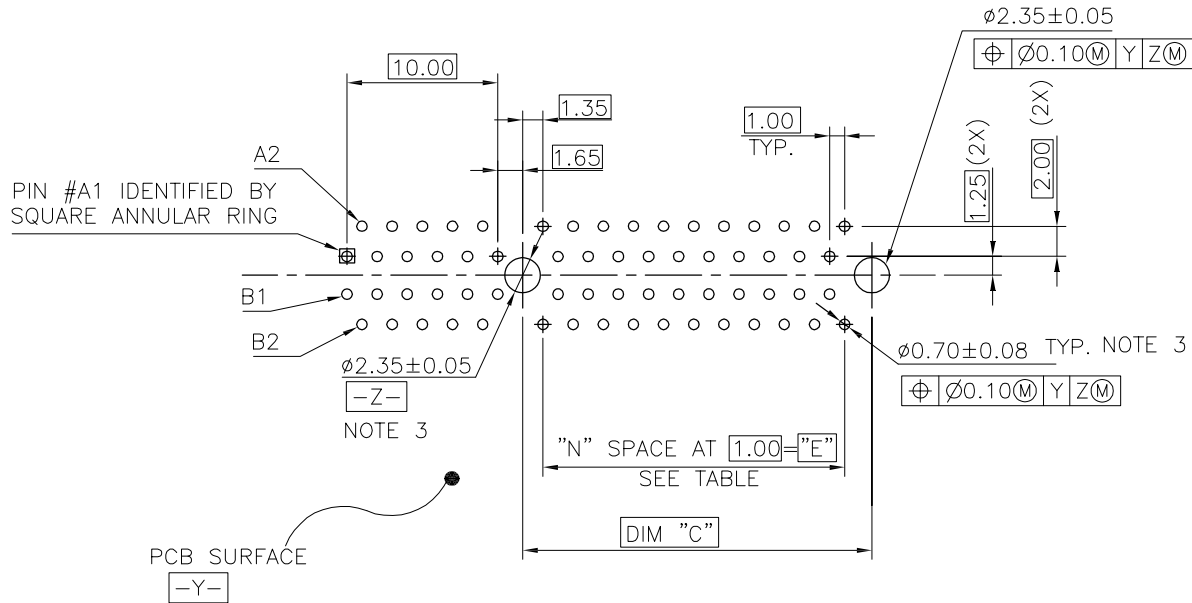
|             |  |                |  |         |  |             |  |                                       |  |              |  |            |  |                  |  |                            |  |
|-------------|--|----------------|--|---------|--|-------------|--|---------------------------------------|--|--------------|--|------------|--|------------------|--|----------------------------|--|
| mat'l. code |  | -              |  | surface |  | - ✓         |  | tolerance                             |  | ASME_Y14.5   |  | projection |  | product family   |  | PCI_EXPRESS                |  |
| lfr         |  | ecn no         |  | dr      |  | date        |  | tolerances unless otherwise specified |  | angles       |  | MM         |  | title            |  | PCI_EXPRESS_CARD_EDGE_GEN3 |  |
|             |  |                |  |         |  |             |  | ±2'                                   |  | LineGr       |  | scale N/A  |  | TH_ASS'Y         |  | 5                          |  |
|             |  |                |  | dr      |  | ZHENHUA_LIU |  | 2016-03-30                            |  | Amphenol FCI |  | dwg no     |  | sheet 2 of 7     |  | size                       |  |
|             |  |                |  | enfr    |  | ZHENHUA_LIU |  | 2016-03-30                            |  |              |  | 10108777   |  |                  |  | A4                         |  |
|             |  |                |  | chr     |  | STONE_LI    |  | 2016-03-30                            |  |              |  | type       |  | CUSTOMER Drawing |  | B                          |  |
|             |  |                |  | appd    |  | PM_ZHENG    |  | 2016-03-30                            |  |              |  |            |  |                  |  |                            |  |
| sheet index |  | revision sheet |  | H       |  |             |  |                                       |  |              |  |            |  |                  |  |                            |  |

PRODUCT NO.  
10108777-X1XXXX



METAL BOARD LOCKS

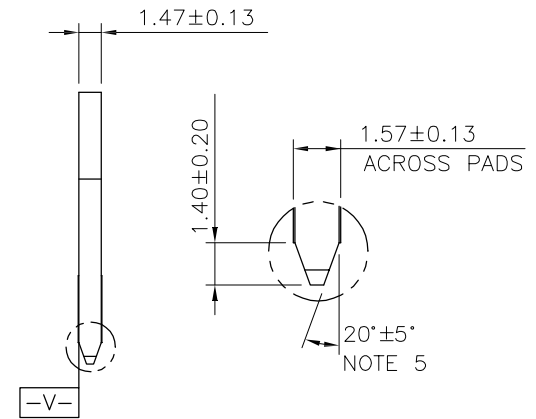
|             |  |         |  |            |  |            |  |                            |  |
|-------------|--|---------|--|------------|--|------------|--|----------------------------|--|
| mat'l. code |  | surface |  | tolerance  |  | projection |  | product family             |  |
| -           |  | -       |  | ASME_Y14.5 |  | MM         |  | PCI_EXPRESS                |  |
| lfr         |  | ecn no  |  | dr         |  | date       |  | title                      |  |
|             |  |         |  |            |  |            |  | PCI_EXPRESS_CARD_EDGE_GEN3 |  |
|             |  |         |  |            |  |            |  | TH_ASS'Y                   |  |
|             |  |         |  |            |  |            |  | dwg no                     |  |
|             |  |         |  |            |  |            |  | sheet 3 of 7               |  |
|             |  |         |  |            |  |            |  | size                       |  |
|             |  |         |  |            |  |            |  | A4                         |  |
|             |  |         |  |            |  |            |  | type                       |  |
|             |  |         |  |            |  |            |  | CUSTOMER Drawing           |  |



← I/O PANEL DIRECTION

RECOMMENDED FOOTPRINT

|             |        |                |      |                                       |             |            |            |                 |  |            |  |            |  |                            |  |                   |  |
|-------------|--------|----------------|------|---------------------------------------|-------------|------------|------------|-----------------|--|------------|--|------------|--|----------------------------|--|-------------------|--|
| mat'l. code |        | -              |      | surface                               |             | - ✓        |            | tolerance       |  | ASME_Y14.5 |  | projection |  | product family             |  | PCI_EXPRESS       |  |
| lfr         | ecn no | dr             | date | tolerances unless otherwise specified |             |            |            |                 |  |            |  | title      |  | PCI_EXPRESS_CARD_EDGE_GEN3 |  |                   |  |
|             |        |                |      | angles                                | linear      |            |            |                 |  |            |  | MM         |  | TH_ASS'Y                   |  | 5                 |  |
|             |        |                |      | ±2'                                   |             |            |            |                 |  |            |  | scale N/A  |  | dwg no                     |  | sheet 4 of 7 size |  |
|             |        |                |      | dr                                    | ZHENHUA_LIU |            | 2016-03-30 | Amphenol<br>FCI |  | 10108777   |  | A4         |  | type                       |  | CUSTOMER Drawing  |  |
|             |        |                | enfr | ZHENHUA_LIU                           |             | 2016-03-30 |            |                 |  |            |  |            |  |                            |  |                   |  |
|             |        |                | chr  | STONE_LI                              |             | 2016-03-30 |            |                 |  |            |  |            |  |                            |  |                   |  |
|             |        |                |      | appd                                  | PM_ZHENG    |            | 2016-03-30 |                 |  |            |  |            |  |                            |  |                   |  |
| sheet index |        | revision sheet |      | H                                     |             |            |            |                 |  |            |  |            |  |                            |  |                   |  |



SCALE 2:1

← I/O PANEL DIRECTION  
PRIMARY (COMPONENT) SIDE



I/O PANEL DIRECTION →  
SECONDARY (SOLDER) SIDE

PIN "F" SEE TABLE 2.40±0.10  
NOTE 4

PIN "F" SEE TABLE 2.40±0.10  
NOTE 4

| #   | POS REF. | N  | DIM "G" | "F" |
|-----|----------|----|---------|-----|
| 36  |          | 6  | 8.15    | B17 |
| 64  |          | 20 | 22.15   | B31 |
| 98  |          | 37 | 39.15   | B48 |
| 164 |          | 70 | 72.15   | B81 |

ADD-IN CARD EDGE-FINGER DIMENSIONS

|             |  |                |  |         |  |             |  |                                       |  |            |  |                 |  |                            |  |                   |  |
|-------------|--|----------------|--|---------|--|-------------|--|---------------------------------------|--|------------|--|-----------------|--|----------------------------|--|-------------------|--|
| mat'l. code |  | -              |  | surface |  | - ✓         |  | tolerance                             |  | ASME_Y14.5 |  | projection      |  | product family             |  | PCI_EXPRESS       |  |
| lfr         |  | ecn no         |  | dr      |  | date        |  | tolerances unless otherwise specified |  | MM         |  | title           |  | PCI_EXPRESS_CARD_EDGE_GEN3 |  | TH_ASS'Y          |  |
|             |  |                |  |         |  |             |  | angles                                |  | .0±0.20    |  | scale N/A       |  | dwg no                     |  | sheet 5 of 7 size |  |
|             |  |                |  |         |  |             |  | ±2'                                   |  | .00±0.13   |  | Amphenol<br>FCi |  | 10108777                   |  | A4                |  |
|             |  |                |  | dr      |  | ZHENHUA_LIU |  | 2016-03-30                            |  |            |  |                 |  | type                       |  | CUSTOMER Drawing  |  |
|             |  |                |  | enfr    |  | ZHENHUA_LIU |  | 2016-03-30                            |  |            |  |                 |  |                            |  |                   |  |
|             |  |                |  | chr     |  | STONE_LI    |  | 2016-03-30                            |  |            |  |                 |  |                            |  |                   |  |
|             |  |                |  | appd    |  | PM_ZHENG    |  | 2016-03-30                            |  |            |  |                 |  |                            |  |                   |  |
| sheet index |  | revision sheet |  | H       |  |             |  |                                       |  |            |  |                 |  |                            |  |                   |  |

NOTES:

1.MATERIAL:

HOUSING: HIGH TEMPERATURE NYLON, GLASS FILLED UL94V-0 RATED.  
TERMINAL: COPPER ALLOY.

PLATING: 50u" NICKEL UNDERPLATE ALL OVER  
CONTACT AREA PLATING - SEE PRODUCT NUMBER CODE  
SOLDER TAIL: TIN OR TIN /LEAD(90/10)- SEE PRODUCT NUMBER CODE 100u" MIN. OVER 50u" NICKEL.

METAL BOARD LOCKS: COPPER ALLOY.  
FINISH: 100u" TIN OR TIN/LEAD(90/10) OVER 50u" NICKEL  
UNDERPLATE SEE PRODUCT NUMBER CODE.

2.PRODUCT SPECIFICATION: GS-12-233.

③THE HORIZONTAL AXIS FOR THE HOLE PATTERN IS ESTABLISHED BY

A LINE THROUGH THE CENTER OF THE TWO Ø2.35 HOLES.  
THE VERTICAL AXIS IS 90° TO THE HORIZONTAL AXIS, THROUGH THE CENTER OF DATUM Z.

④NO TIE BAR PERMITTED FROM CARD EDGE TO LEADING EDGE OF PAD FOR PINS A1 AND PIN NUMBERS "F".

⑤CHAMFER EDGES MUST BE FREE OF CUTTING BURRS.

⑥FREQUENCY & LOCATION AT SUPPLIER DISCRETION. RIDGE MAY BE CONTINUOUS WITH NO BREAKS.

7.RoHS COMPATIBLE PRODUCT SPECIFICATIONS:

a - PLATING:

- "LF" MEANS THE PRODUCT IS LEAD-FREE, 2um MINIMUM MATTE TIN OVER 1.27um MINIMUM NICKEL UNDERPLATE.

b - MANUFACTURING PROCESS COMPATIBILITY:

- THE HOUSING WILL WITHSTAND EXPOSURE TO 260°C±5°C TEMPERATURE FOR 10 SECONDS IN RE-FLOW APPLICATION, SEE NOTE 8 FOR APPLICATION.

PRODUCT NUMBER CODE

10108777 -X X X X X X □ □

HOUSING COLOR OPTIONS

- 0-NATURAL
- 1-BLACK

PEGS OPTIONS

- 0-PLASTIC PEGS, DIM
- 1-METAL BOARD LOCKS
- 2-SINGLE PLASTIC PEGS

TERMINAL PLATING OPTIONS

- 0-50u" Ni UNDERPLATE  
30u" Au CONTACT AREA  
100u" TIN TAIL AREA ----- COMPATIBLE RoHS
- 1-50u" Ni UNDERPLATE  
15u" Au CONTACT AREA  
100u" TIN TAIL AREA ----- COMPATIBLE RoHS
- 2-50u" Ni UNDERPLATE  
GOLD FLASH CONTACT AREA  
100u" TIN TAIL AREA ----- COMPATIBLE RoHS
- 3-50u" Ni UNDERPLATE  
30u" Au CONTACT AREA  
100u" TIN/LEAD TAIL AREA ---INCOMPLIANT RoHS
- 4-50u" Ni UNDERPLATE  
15u" Au CONTACT AREA  
100u" TIN/LEAD TAIL AREA ---INCOMPLIANT RoHS
- 5-50u" Ni UNDERPLATE  
GOLD FLASH CONTACT AREA  
100u" TIN/LEAD TAIL AREA ---INCOMPLIANT RoHS

LEAD FREE OPTION

LEAVE BLANK FOR TERMINAL PLATING 3.4.5  
"LF" FOR TERMINAL PLATING OPTION 0,1,2

POS OPTIONS

- 0-36
- 1-64
- 2-98
- 3-164

TAIL LENGTH OPTIONS

|   | DIM "D"                                  | PCB THICKNESS | DIM "G"   |
|---|--|---------------|-----------|
| 0 | 2.30 <sup>+0.25</sup> / <sub>-0.13</sub> | 1.56±0.10     | 1.70±0.15 |
| 1 | 3.10 <sup>+0.25</sup> / <sub>-0.13</sub> | 2.36±0.10     | 2.50±0.15 |
| 2 | 2.54±0.25                                | 1.56±0.10     | 1.70±0.15 |
| 3 | 1.90±0.25                                | 1.56±0.10     | 1.70±0.15 |
| 4 | 3.10 <sup>+0.25</sup> / <sub>-0.13</sub> | 2.0±0.10      | 1.70±0.15 |

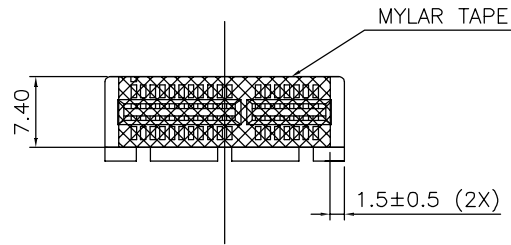
| CONNECTOR | # POS REF. | N  | DIM "A" | DIM "B" | DIM "C" | "E"   |
|-----------|------------|----|---------|---------|---------|-------|
| 1 PORT    | 36         | 6  | 7.65    | 25.00   | 9.15    | 6.00  |
| 4 PORT    | 64         | 20 | 21.65   | 39.00   | 23.15   | 20.00 |
| 8 PORT    | 98         | 37 | 38.65   | 56.00   | 40.15   | 37.00 |
| 16 PORT   | 164        | 70 | 71.65   | 89.00   | 73.15   | 70.00 |

- 8.AN ADEQUATE PROCEDURE SET FORTH IN THE FOLLOWING ENSURE THAT THE PRODUCT RELIABILITY CAN BE ACHIEVED DURING AND AFTER PCB ASSEMBLY OPERATION.
- 8.1IF PARTIAL LOT ARE USED, THE REMAINING CONNECTORS MUST BE RESEALED AND PLACED IN SAFE STORAGE WITHIN SIX HOURS OF BAG OPENING.
- 8.2THE SAFE STORAGE CONDITION IS RECOMMENDED AT 25°C, 40%RH.
- 8.3NOT FOLLOWING THE PROCEDURE MAY CAUSE BLISTER DAMAGE DURING RE-FLOW PROCESS.
- 8.4IF BAKING IS REQUIRED, CONNECTOR SHALL BE BAKED FOR 4 HOURS AT 125°C.
- 8.5REFERENCE SPECIFICATION: IPC/JEDEC J-STD-033A.

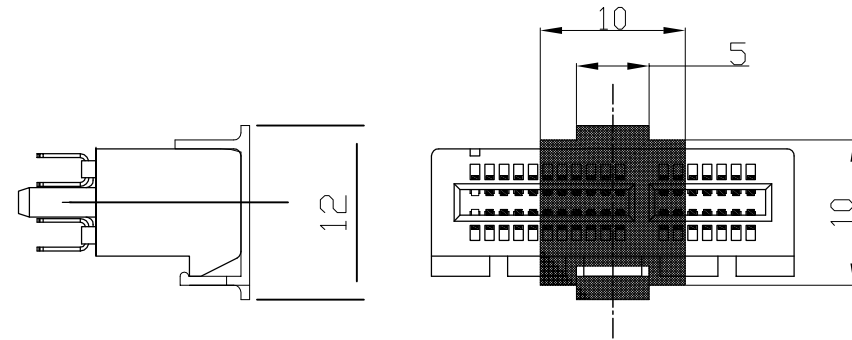
PACKAGING OPTIONS

- E-HARD TRAY WITH MYLAR FOR VACUUM PACKAGING (FOR 164P ONLY)
- T-SOFT TRAY PACKAGING
- C-SOFT TRAY PACKAGING WITH 10MM CAP
- M-SOFT TRAY PACKAGING & MYLAR TAPE. SEE FIGURE 1
- Y-HARD TRAY PACKAGING (FOR 36P,98P AND 164P ONLY)
- Z-HARD TRAY PACKAGING WITH MYLAR (FOR 36P,98P AND 164P ONLY)
- H-SMALLER HARD TRAY PACKAGING WITH 30MM CAP (323X136X17.7 FOR 164P ONLY)
- △ Q-SMALLER HARD TRAY PACKAGING (323X136X17.7 FOR 164P ONLY)
- R-TAPE & REEL PACKAGING WITHOUT MYLAR (FOR 34, 64, 98P ONLY)
- W-TAPE & REEL PACKAGING WITHOUT MYLAR (FOR 98P ONLY), WITH 18.0MM CAVITY WIDTH
- A-TAPE & REEL PACKAGING WITH MYLAR (FOR 36, 64, 98P ONLY)

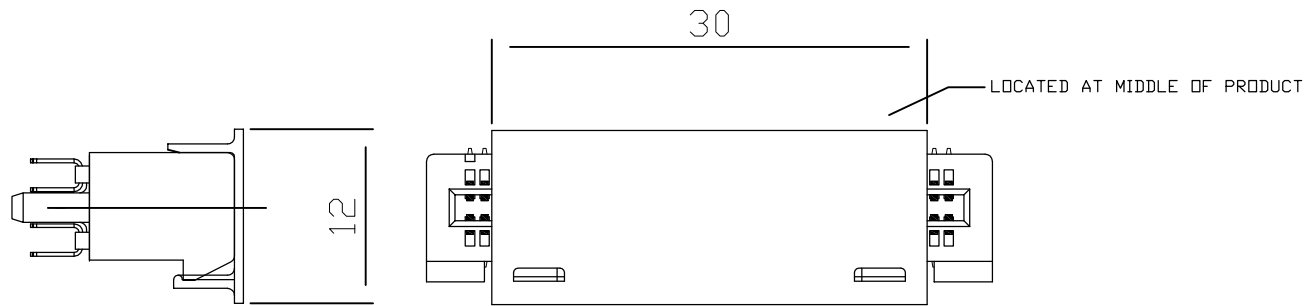
|             |  |          |  |            |  |            |  |                            |  |
|-------------|--|----------|--|------------|--|------------|--|----------------------------|--|
| mat'l. code |  | surface  |  | tolerance  |  | projection |  | product family             |  |
| -           |  | -        |  | ASME_Y14.5 |  |            |  | PCI_EXPRESS                |  |
| lfr         |  | ecn no   |  | dr         |  | date       |  | title                      |  |
|             |  |          |  |            |  |            |  | PCI_EXPRESS_CARD_EDGE_GEN3 |  |
|             |  |          |  |            |  |            |  | TH_ASS'Y                   |  |
|             |  |          |  |            |  |            |  | dwg no                     |  |
|             |  |          |  |            |  |            |  | sheet 6 of 7               |  |
|             |  |          |  |            |  |            |  | size                       |  |
|             |  |          |  |            |  |            |  | A4                         |  |
|             |  |          |  |            |  |            |  | type                       |  |
|             |  |          |  |            |  |            |  | CUSTOMER Drawing           |  |
| sheet       |  | revision |  | H          |  |            |  |                            |  |
| index       |  | sheet    |  |            |  |            |  |                            |  |



POSTION OF MYLAR



POSTION OF CAP (10×10)



POSTION OF 30MM CAP(30X12)

|             |  |                |  |            |  |             |  |  |  |
|-------------|--|----------------|--|------------|--|-------------|--|--|--|
| mat'l. code |  | surface        |  | tolerance  |  | projection  |  | product family   |  |
| -           |  | -              |  | ASME_Y14.5 |  |             |  | PCI_EXPRESS  |  |
| lfr         |  | ecn no         |  | dr         |  | date        |  | title  |  |
|             |  |                |  |            |  |             |  | PCI_EXPRESS_CARD_EDGE_GEN3                                       |  |
|             |  |                |  | angles     |  |             |  | TH_ASS'Y   |  |
|             |  |                |  | ±2'        |  | MM          |  | scale N/A  |  |
|             |  |                |  | dr         |  | ZHENHUA_LIU |  | 2016-03-30   |  |
|             |  |                |  | enfr       |  | ZHENHUA_LIU |  | 2016-03-30   |  |
|             |  |                |  | chr        |  | STONE_LI    |  | 2016-03-30   |  |
|             |  |                |  | appd       |  | PM_ZHENG    |  | 2016-03-30   |  |
| sheet index |  | revision sheet |  | H          |  |             |  |  |  |
|             |  |                |  |            |  |             |  | dwg no 10108777<br>sheet 7 of 7 size A4<br>type CUSTOMER Drawing |  |

## Данный компонент на территории Российской Федерации

### Вы можете приобрести в компании MosChip.

Для оперативного оформления запроса Вам необходимо перейти по данной ссылке:

<http://moschip.ru/get-element>

Вы можете разместить у нас заказ для любого Вашего проекта, будь то серийное производство или разработка единичного прибора.

В нашем ассортименте представлены ведущие мировые производители активных и пассивных электронных компонентов.

Нашей специализацией является поставка электронной компонентной базы двойного назначения, продукции таких производителей как XILINX, Intel (ex.ALTERA), Vicor, Microchip, Texas Instruments, Analog Devices, Mini-Circuits, Amphenol, Glenair.

Сотрудничество с глобальными дистрибьюторами электронных компонентов, предоставляет возможность заказывать и получать с международных складов практически любой перечень компонентов в оптимальные для Вас сроки.

На всех этапах разработки и производства наши партнеры могут получить квалифицированную поддержку опытных инженеров.

Система менеджмента качества компании отвечает требованиям в соответствии с ГОСТ Р ИСО 9001, ГОСТ РВ 0015-002 и ЭС РД 009

### Офис по работе с юридическими лицами:

105318, г.Москва, ул.Щербаковская д.3, офис 1107, 1118, ДЦ «Щербаковский»

Телефон: +7 495 668-12-70 (многоканальный)

Факс: +7 495 668-12-70 (доб.304)

E-mail: [info@moschip.ru](mailto:info@moschip.ru)

Skype отдела продаж:

moschip.ru

moschip.ru\_4

moschip.ru\_6

moschip.ru\_9